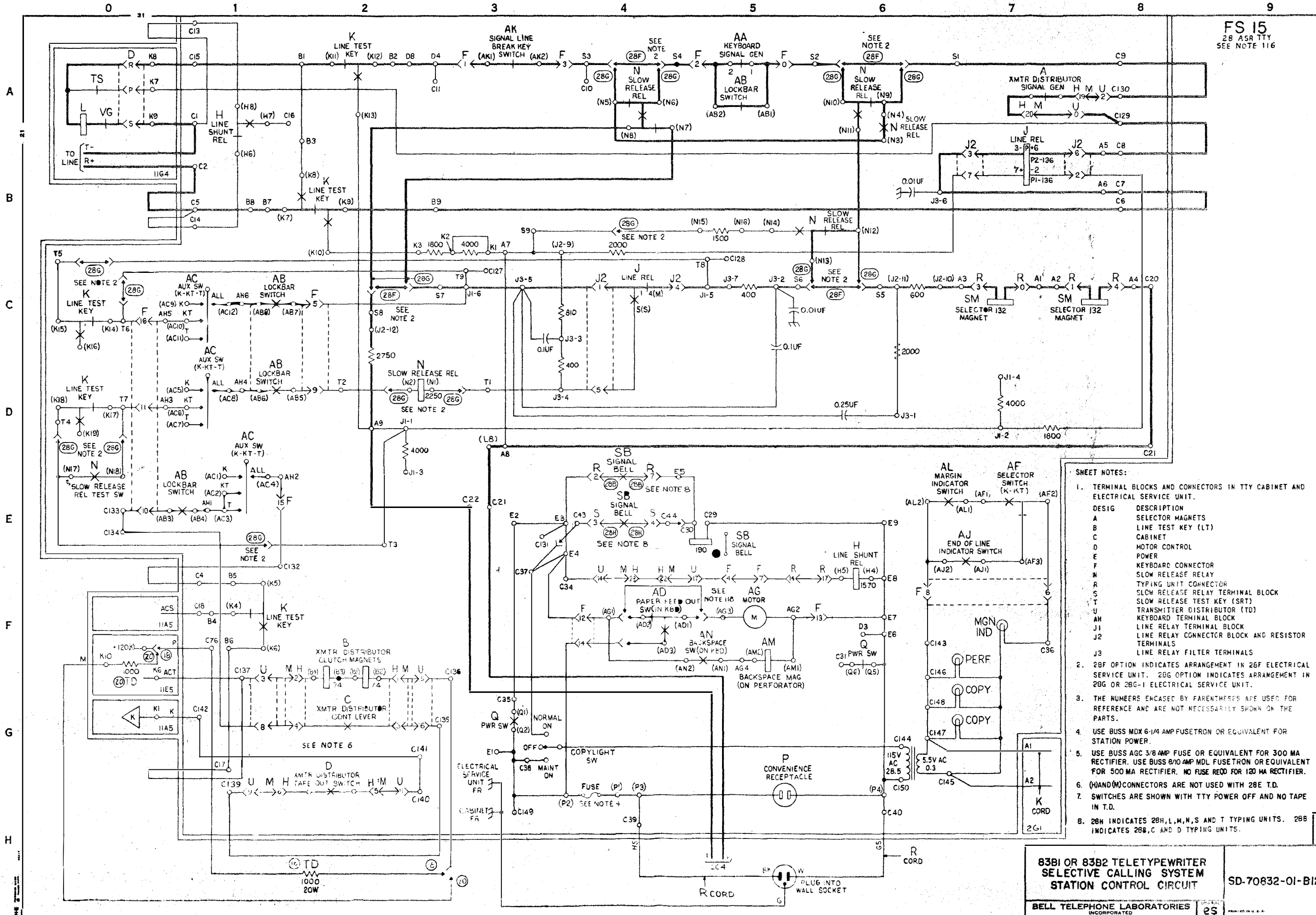


DRAWING	ISSUE
50	FPC
60	DATA
70	TEST



- SHEET NOTES:**
1. TERMINAL BLOCKS AND CONNECTORS IN TTY CABINET AND ELECTRICAL SERVICE UNIT.
 2. 28F OPTION INDICATES ARRANGEMENT IN 28F ELECTRICAL SERVICE UNIT. 28G OPTION INDICATES ARRANGEMENT IN 28G OR 28G-1 ELECTRICAL SERVICE UNIT.
 3. THE NUMBERS ENCASED BY PARENTHESES ARE USED FOR REFERENCE AND ARE NOT NECESSARILY SHOWN ON THE PARTS.
 4. USE BUSS MDX 6-1/4 AMP FUSETRON OR EQUIVALENT FOR STATION POWER.
 5. USE BUSS AGC 3/8 AMP FUSE OR EQUIVALENT FOR 300 MA RECTIFIER. USE BUSS 8/10 AMP MDL FUSETRON OR EQUIVALENT FOR 500 MA RECTIFIER. NO FUSE REQD FOR 120 MA RECTIFIER.
 6. (H) AND (M) CONNECTORS ARE NOT USED WITH 28E T.D.
 7. SWITCHES ARE SHOWN WITH TTY POWER OFF AND NO TAPE IN T.D.
 8. 28H INDICATES 28H, L, M, N, S AND T TYPING UNITS. 28B INDICATES 28B, C AND D TYPING UNITS.

**83B1 OR 83B2 TELETYPEWRITER
SELECTIVE CALLING SYSTEM
STATION CONTROL CIRCUIT**

BELL TELEPHONE LABORATORIES
INCORPORATED

SD-70832-01-B12

SD-70832-01-B12