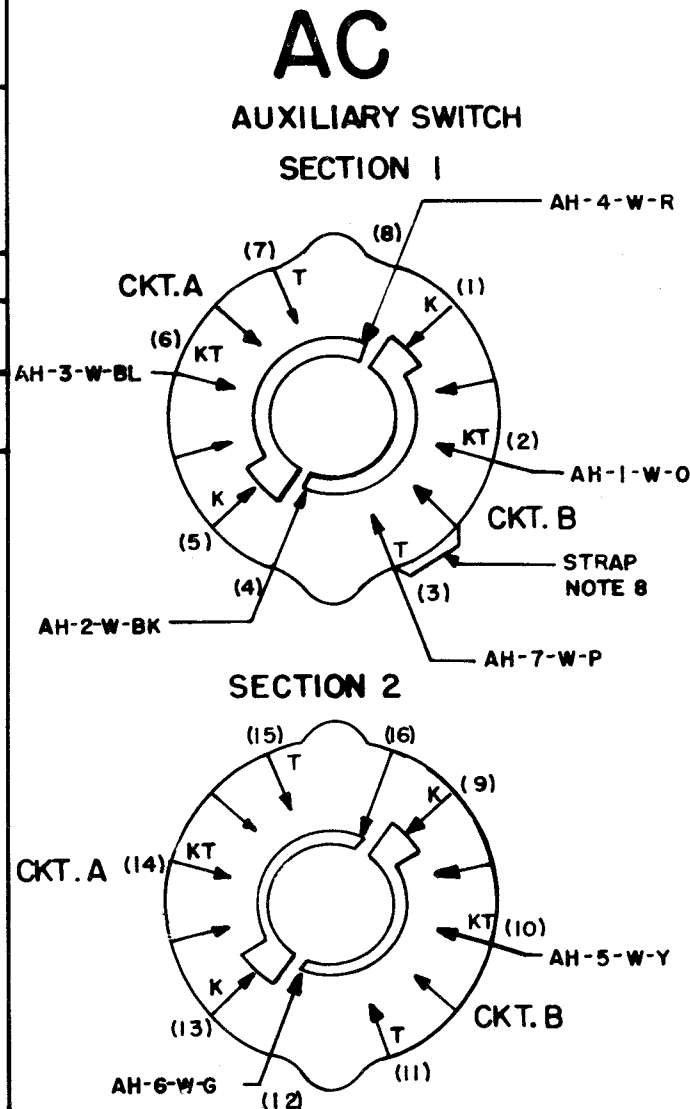
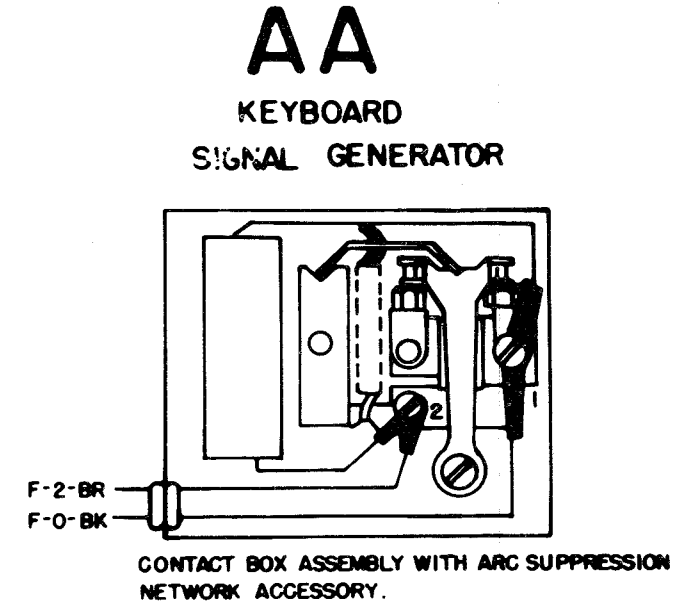
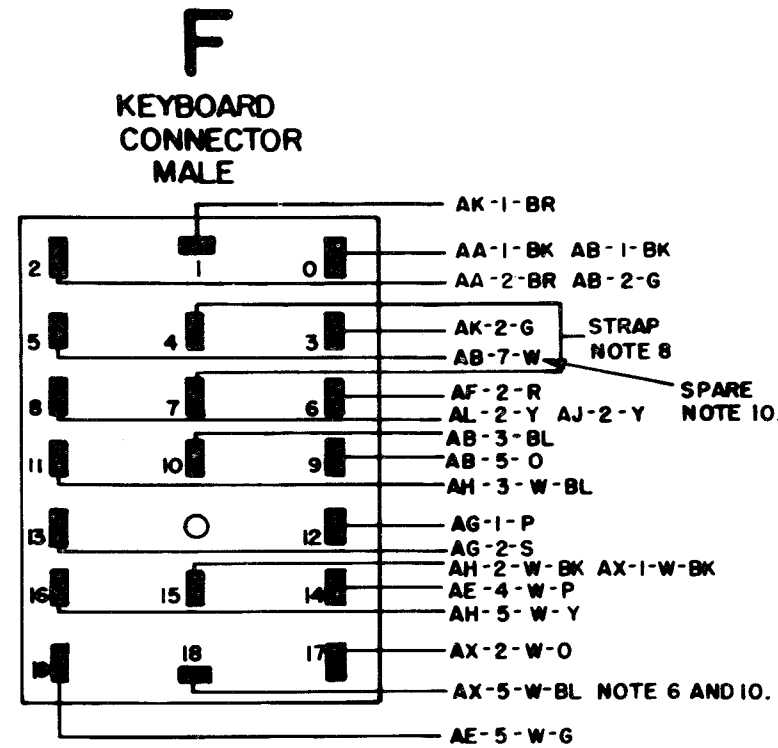


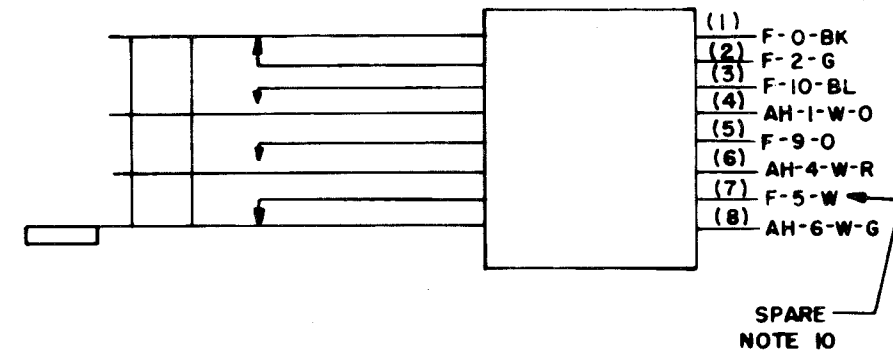
ISSUE	DATE	AUTH NO
5	3-24-59	28-10903
6	4-27-59	28-10983
7	7-10-59	28-11487
8	8-4-59	28-11508
9	3-30-60	28-12984
10	8-24-60	28-13780
11	12-30-60	28-14463
12	8-7-62	74054
13	3-9-64	80416
14	4-3-64	80416-1
15	5-14-64	81758
16	4-14-65	87085
17	9-21-65	89204

- NO** **NOTES**
1. **WIRING LEGEND**
2. **COLOR CODES.**
- | | |
|------------|----------------------|
| BK — BLACK | W-BK — WHITE - BLACK |
| BR — BROWN | W-BR — WHITE - BROWN |
| R — RED | W-R — WHITE - RED |
| O — ORANGE | W-O — WHITE - ORANGE |
| Y — YELLOW | W-Y — WHITE - YELLOW |
| G — GREEN | W-G — WHITE - GREEN |
| BL — BLUE | W-BL — WHITE - BLUE |
| P — PURPLE | W-P — WHITE - PURPLE |
| W — WHITE | W-S — WHITE - SLATE |
| S — SLATE | |
3. UNIT WIRED FOR 115 VOLTS AC OR DC POWER INPUT.
4. PLUGS VIEWED FROM SOLDER TERMINAL ENDS.
5. ALL CONTACTS SHOWN IN UNOPERATED POSITION IN KEYBOARD.
6. SPARE TERMINAL OF F-18 RESERVED FOR POLAR OPERATION OF KEYBOARD SIGNAL GENERATOR AND AL LAMP ON LAK 44.
7. **ASSOCIATED CABLES**
 158224 CABLE ASSEMBLY, AUXILIARY
 158249 CABLE ASSEMBLY, KEYBOARD
 155992 CABLE ASSEMBLY, BACK SPACE
 159343 CABLE ASSEMBLY, BACK SPACE MAGNET
 304613 CABLE ASSEMBLY, LAMP AND SWITCHES (LAK 44)
8. BARE WIRE STRAP 39522 RM
9. PART OF ASSOCIATED UNIT (LPE, LPR, LRPE OR LTPE)
10. ON LAK 44 ONLY. REMOVE WHITE LEAD FROM F5 AND CUT OFF NEAR TUBING OF CABLE 158249.

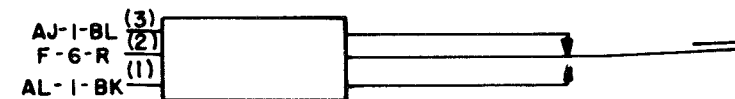
RTTY ELECTRONICS
 TELETYPE=Sales-Service-Parts
 PO Box 20101 El Sobrante, Ca.
 94820. (510)222-3102
 mr_rtty@pacbell.net



AB
 LOCK BAR SWITCH



AF
 END-OF-LINE MARGIN INDICATOR SELECTOR SWITCH



SHEET 1 OF 2

ACTUAL WIRING DIAGRAM MODEL 28 KEYBOARD BASE LAK 4, 25, 44. ASR-3P-OPT I ASR-GP-OPT II LESU 13, 15, 16, 25, 28, 36, 112.

APPROVALS

D AND R	E OF M
---------	--------

E-NUMBER
 PROD. NO. 3302 WD

DATE 10-23-56

P.D. FILE NO. 27A.65AA

DRAWN R.T.S. CHKO

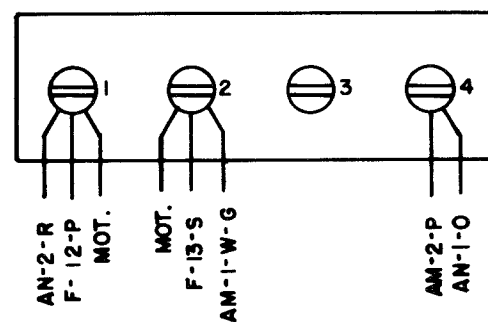
ENGD O.P.L. APPD

TELETYPE CORPORATION

ISSUE	DATE	AUTH NO

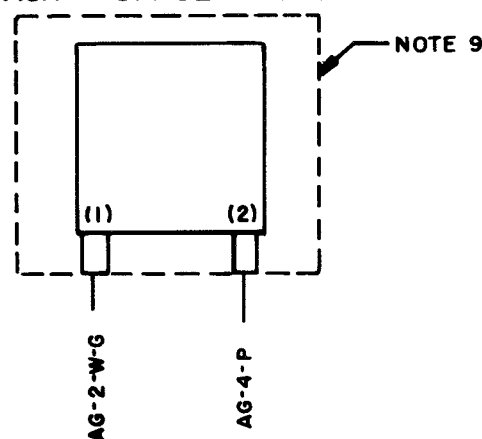
AG

MOTOR TERMINAL BLOCK



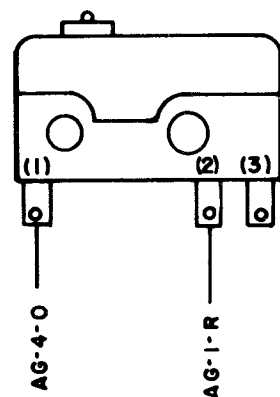
AM

BACK - SPACE MAGNET



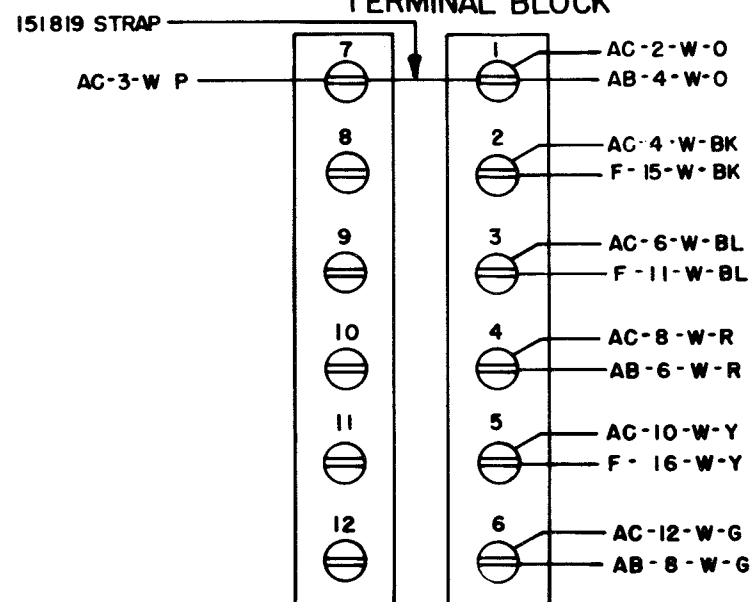
AN

BACK-SPACE SWITCH



AH

KEYBOARD TERMINAL BLOCK



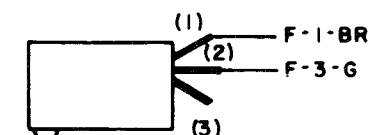
AJ

END-OF-LINE INDICATOR SWITCH



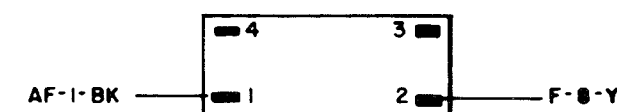
AK

SIGNAL LINE BREAK KEY SWITCH



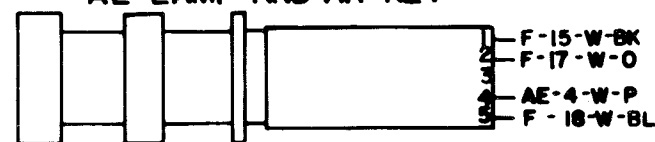
AL

MARGIN INDICATOR SWITCH



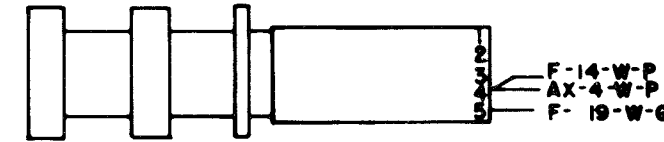
AX

AL LAMP AND AR KEY



AE

BD LAMP



LAK 44 ONLY

SHEET 2 OF 2

ACTUAL
WIRING DIAGRAM
MODEL 28
KEYBOARD BASE
LAK 4, 25, 44,
ASR-GP-OPT I
ASR-GP-OPT II
LESU 13, 15, 16, 25,
28, 36, 112.

APPROVALS

D AND R	E OF M

E-NUMBER
PROD. NO. 3302 WD

DATE: 10-23-56

P.D. FILE NO. 27A.65AA

DRAWN R.T.S. CHKD

ENGD O.P.L. APPD *[Signature]*

TELETYPE CORPORATION

3302 WD