

| 3261 WD | | |
|-----------|----------|-----------|
| REVISIONS | | |
| ISSUE | DATE | AUTH. NO. |
| 1 | 9-3-57 | TP-2300 |
| 2 | 3-21-58 | 28-8622 |
| 3 | 10-22-58 | 28-9978 |
| 4 | 5-1-63 | 76607 |
| 5 | 1-20-65 | 85616 |

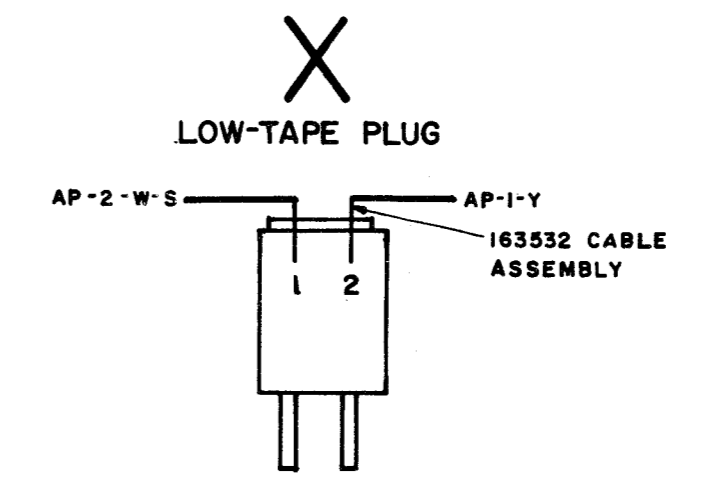
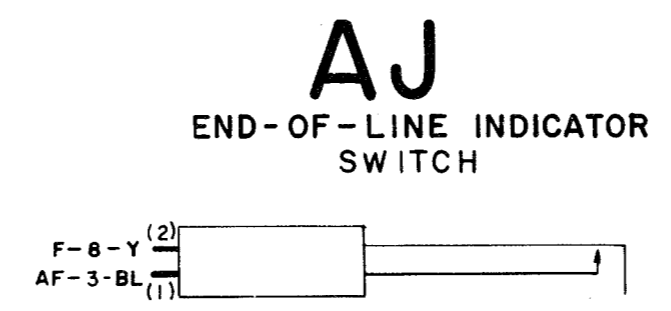
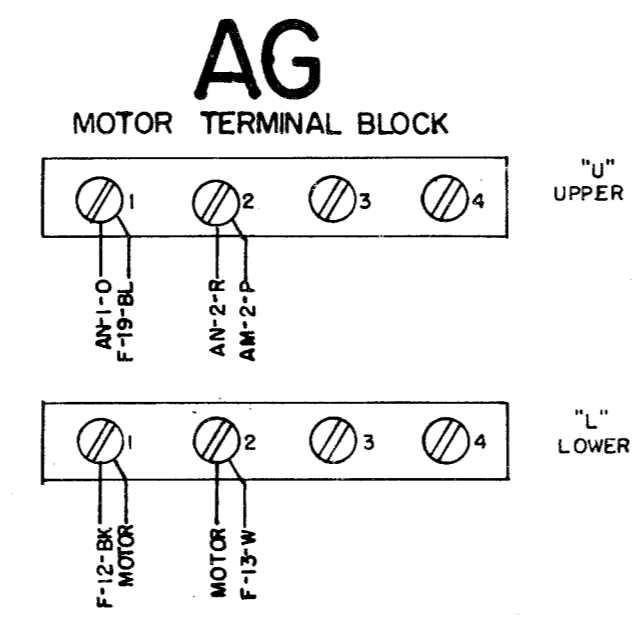
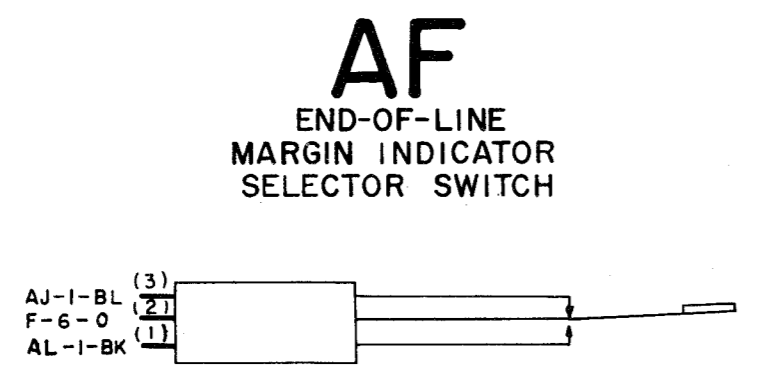
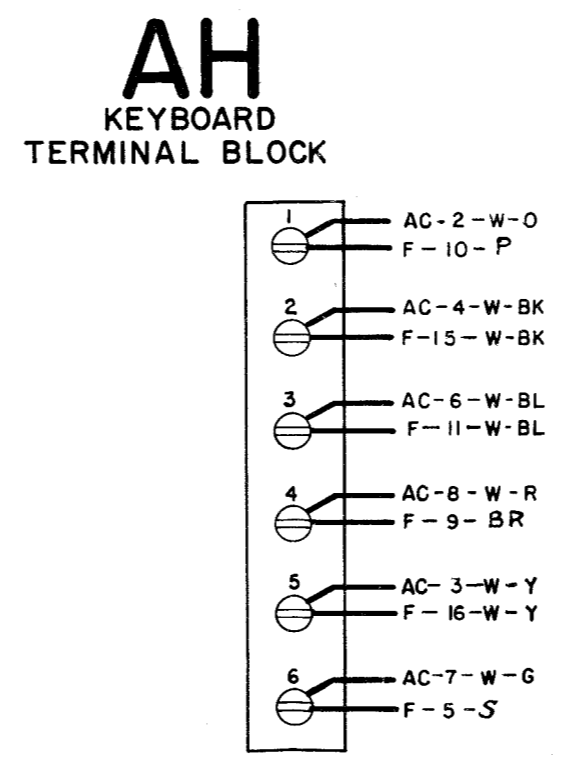
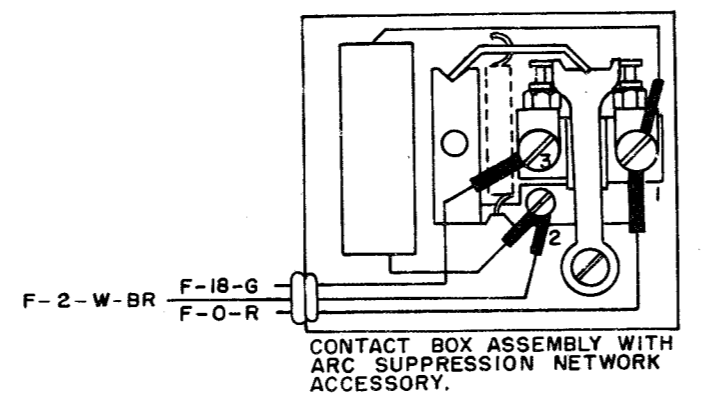
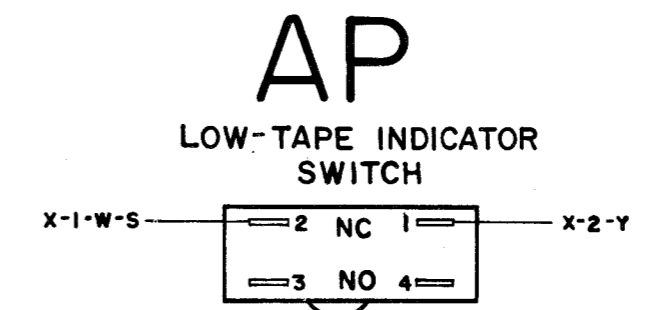
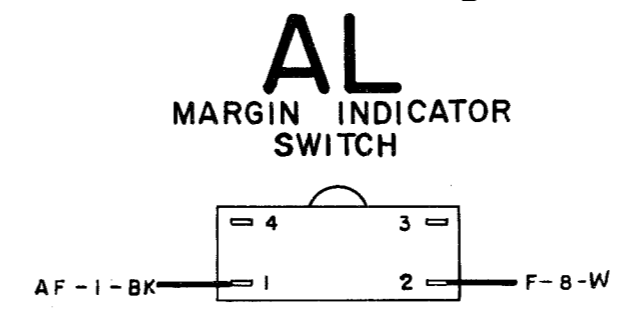
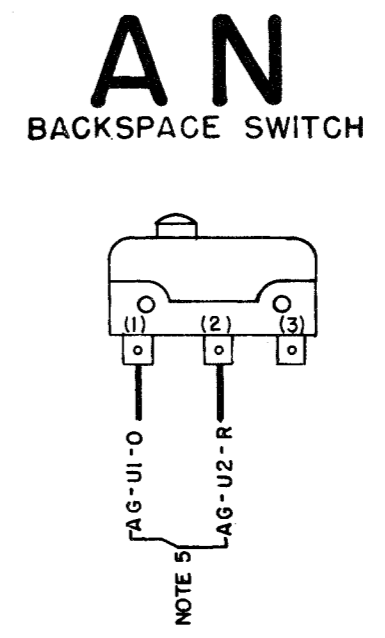
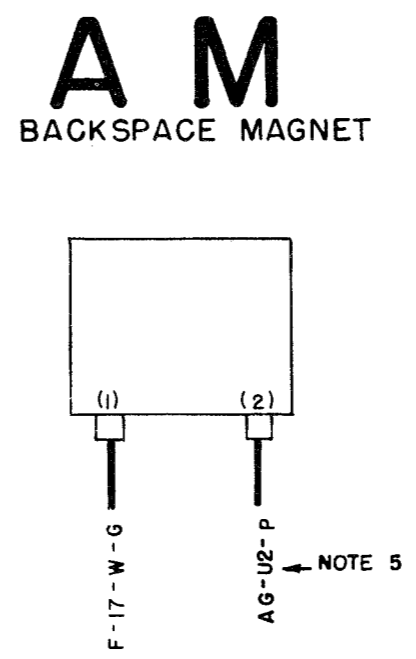
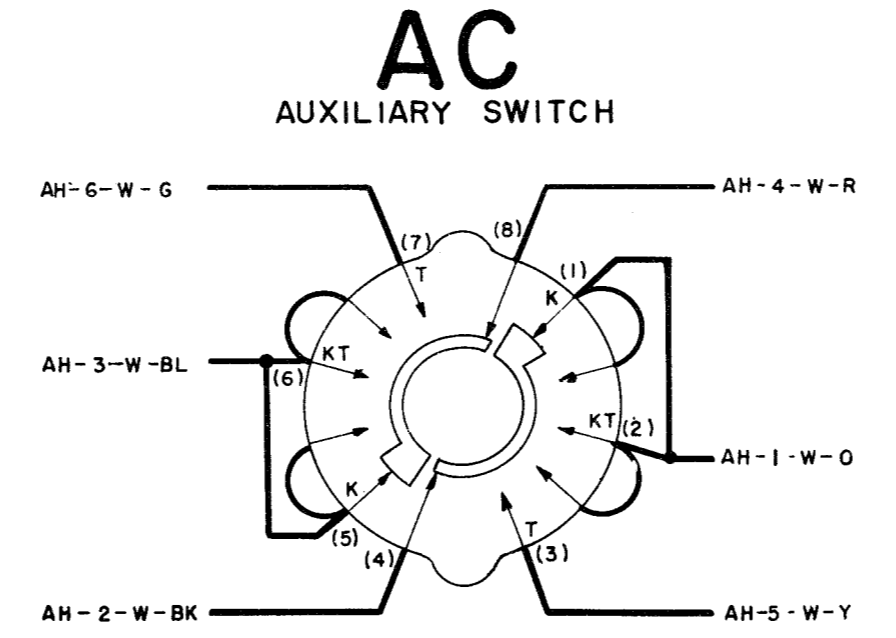
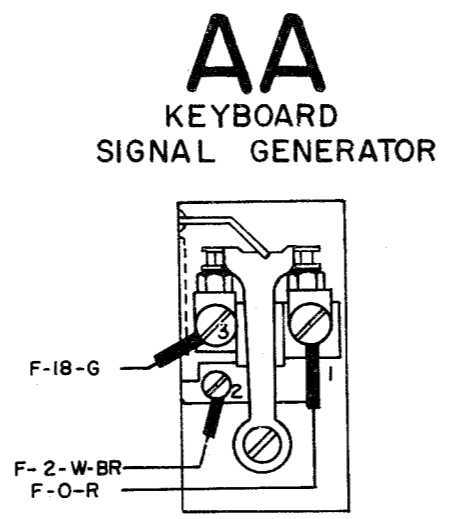
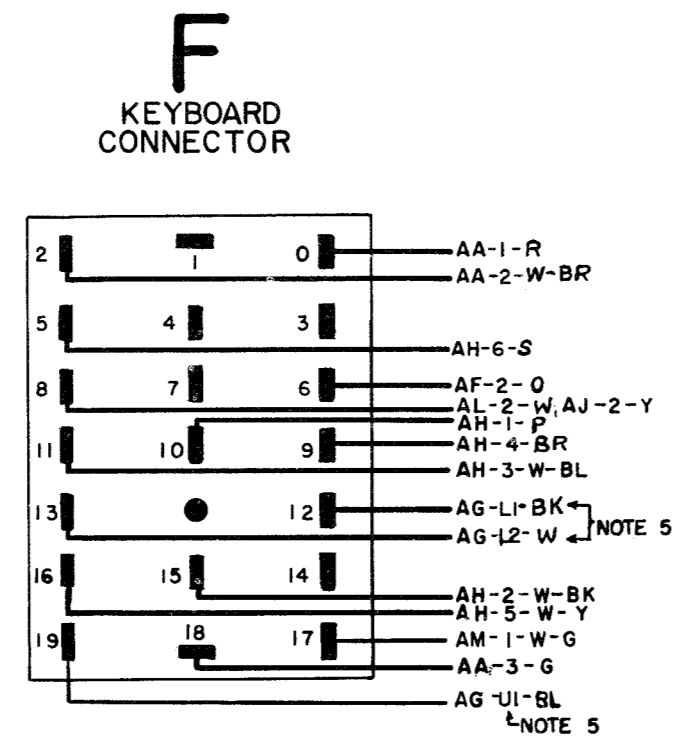
- NO. NOTES
- WIRING LEGEND:
 - DISTANT TERMINATING AREA
 - DISTANT TERMINAL DESIGNATION
 - WIRE COLOR CODE
 - COLOR CODE:

| | |
|------------|------------------------|
| BK - BLACK | W - BK - WHITE - BLACK |
| BR - BROWN | W - BR - WHITE - BROWN |
| R - RED | W - R - WHITE - RED |
| O - ORANGE | W - O - WHITE - ORANGE |
| Y - YELLOW | W - Y - WHITE - YELLOW |
| G - GREEN | W - G - WHITE - GREEN |
| BL - BLUE | W - BL - WHITE - BLUE |
| P - PURPLE | W - P - WHITE - PURPLE |
| W - WHITE | W - S - WHITE - SLATE |
| S - SLATE | |
 - CONNECTORS VIEWED FROM SOLDER TERMINAL ENDS.
 - ALL CONTACTS SHOWN IN UNOPERATED POSITION IN KEYBOARD.
 - U DESIGNATES UPPER TERMINAL BLOCK
L DESIGNATES LOWER TERMINAL BLOCK FOR AREA "AG"
 - ASSOCIATED SCHEMATIC WIRING DIAGRAM 3289WD

32 1/2 x 10 3/4

11/11

RTTY ELECTRONICS
TELETYPE=Sales-Service-Parts
PO Box 20101 El Sobrante, Ca.
94820. (510)222-3102
mr_rtty@pacbell.net



| APPROVALS | |
|--|--------|
| D AND R | E OF M |
| E-NUMBER | |
| PROD. NO. 3261 WD | |
| ACTUAL WIRING DIAGRAM KEYBOARD BASE LAK-2 ASR-SP LESU 11 | |
| DATE: 1-18-57 | |
| P.D. FILE NO. 1-76.65AA | |
| DRAWN: R.W.D. CHKD. | |
| ENGD. J.L. APPD. J.L. | |
| TELETYPE CORPORATION | |
| 3261 WD | |