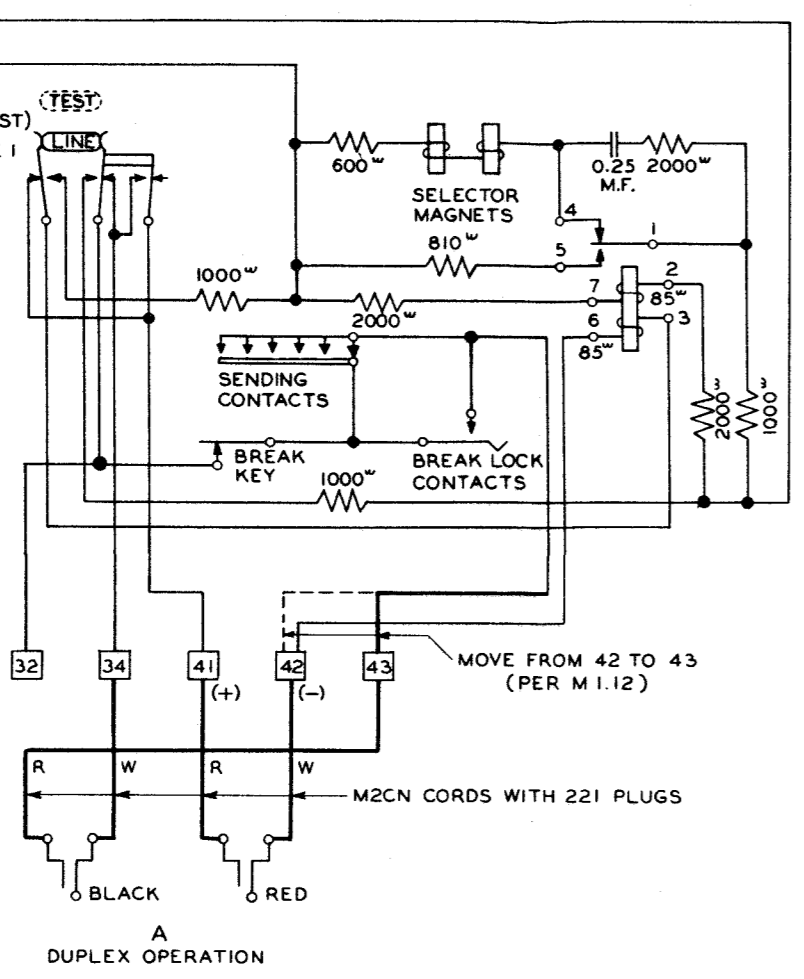
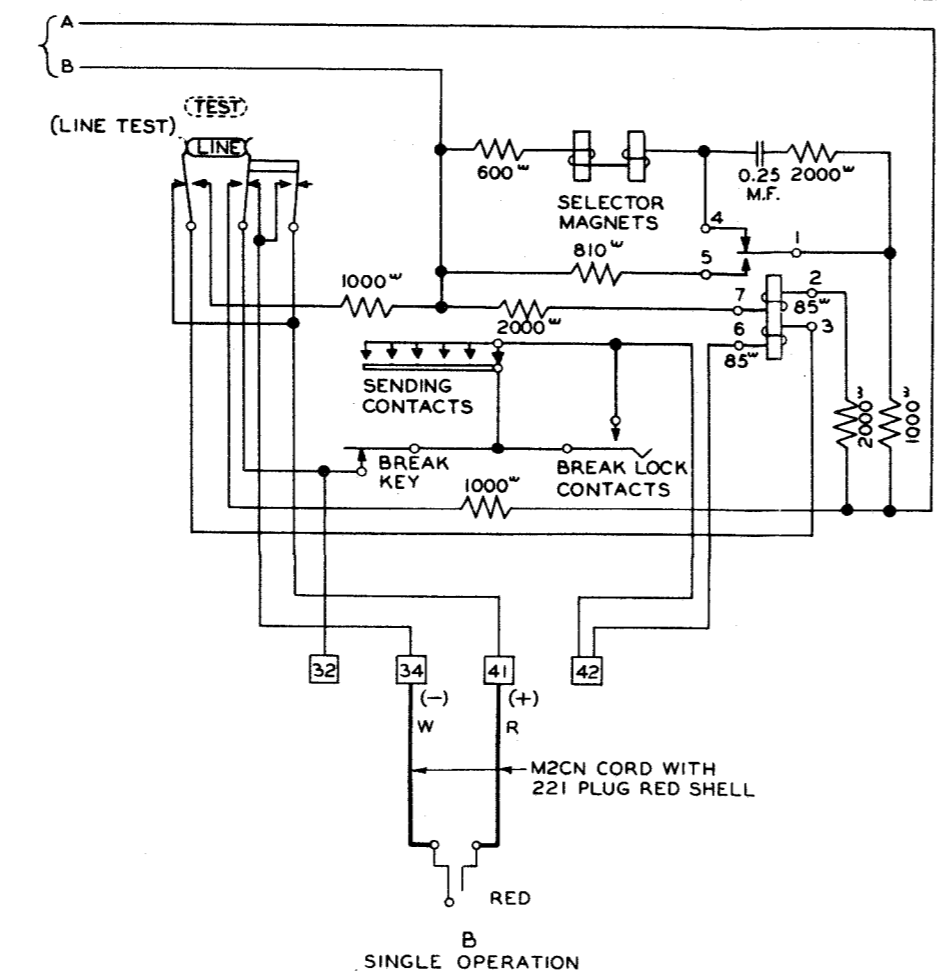


FIG. 3
POWER CONNECTIONS TO NO. 14 TELETYPEWRITER
OR NO. 14 TYPING REPERFORATOR

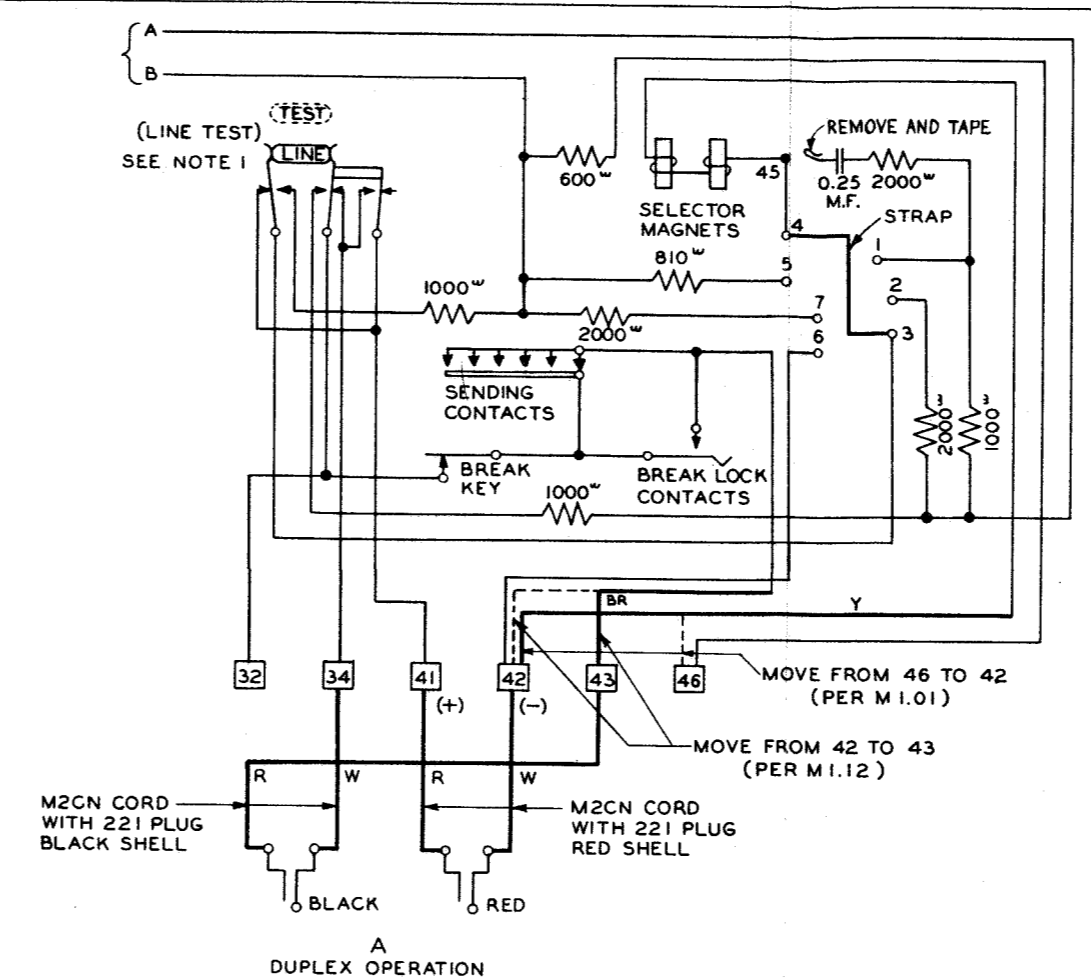


A
DUPLIX OPERATION

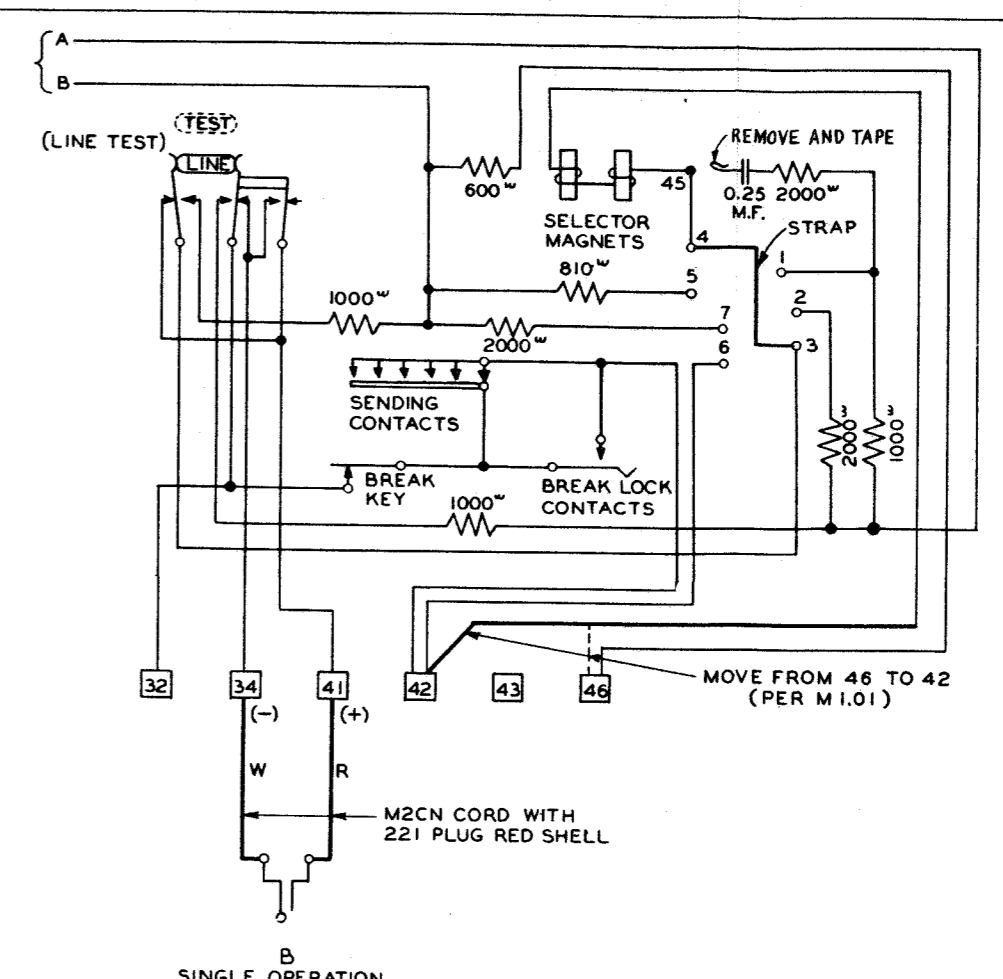


B
SINGLE OPERATION

FIG. 4
LINE CONNECTIONS TO NO. 14 TELETYPEWRITER
OR NO. 14 TYPING REPERFORATOR-WITH LINE RELAY



A
DUPLIX OPERATION



B
SINGLE OPERATION

FIG. 5
LINE CONNECTIONS TO NO. 14 TELETYPEWRITER
OR NO. 14 TYPING REPERFORATOR-WITHOUT LINE RELAY

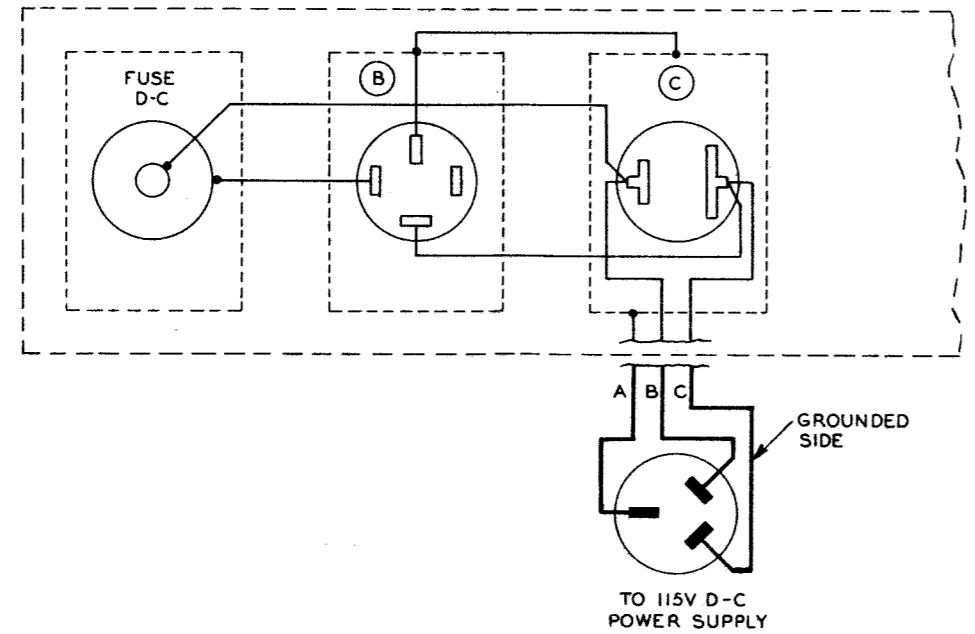


FIG. 1
POWER WIRING OF PANEL

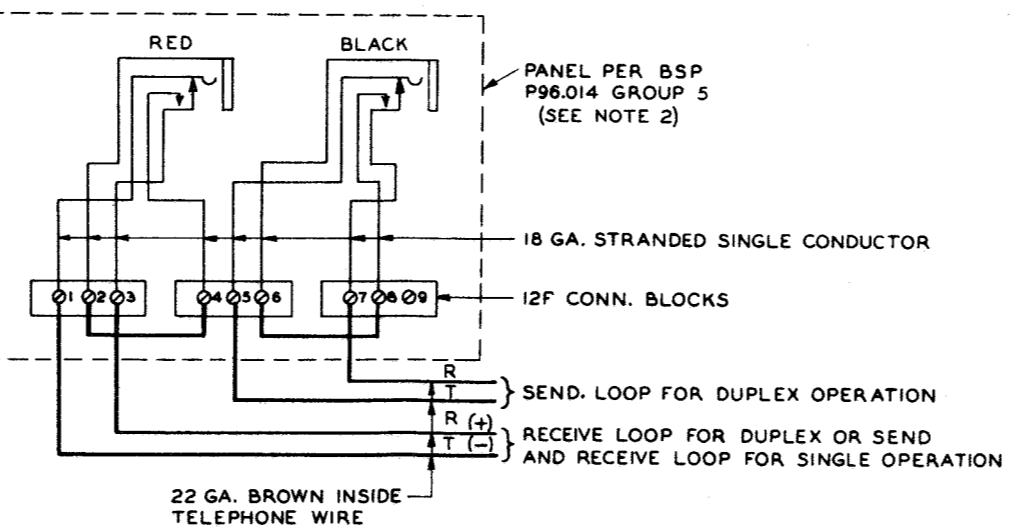


FIG. 2
LOOP WIRING OF PANEL

SEE SECTION P96.024 OR P96.014 FOR
DETAILS OF POWER AND LOOP PANEL.
SEE SECTION P96.015 FOR ARRANGEMENT
OF CUSTOMER TABLE.
NOTE 1—MAKE LINE-TEST KEY INEFFECTIVE BY
WIRING PERMANENTLY IN LINE CONDITION
OR EQUIP THE KEY WITH P356557 PLUNGER.
NOTE 2—USE SAME WIRING FOR 117852M ELEC.
SERV. ASSEMBLY.

POWER DRAINS (AMPS.)			
TYPE	A-C DRAIN		
MOTOR	START	RUN	
D-C SHUNT	4.6	0.6	

TELEGRAPH SYSTEMS
NO. 14 TELETYPEWRITER
NO. 14 TYPING REPERFORATOR
TELETYPEWRITER STATIONS
PRIVATE LINE SERVICE
CUSTOMER PROVIDED TABLE
WIRING OF POWER AND LOOP PANEL
AND CONNECTIONS TO TTY
D-C POWER SUPPLY