

FIG. 3
POWER CONNECTIONS TO TELETYPEWRITER
OR TYPING REPERFORATOR

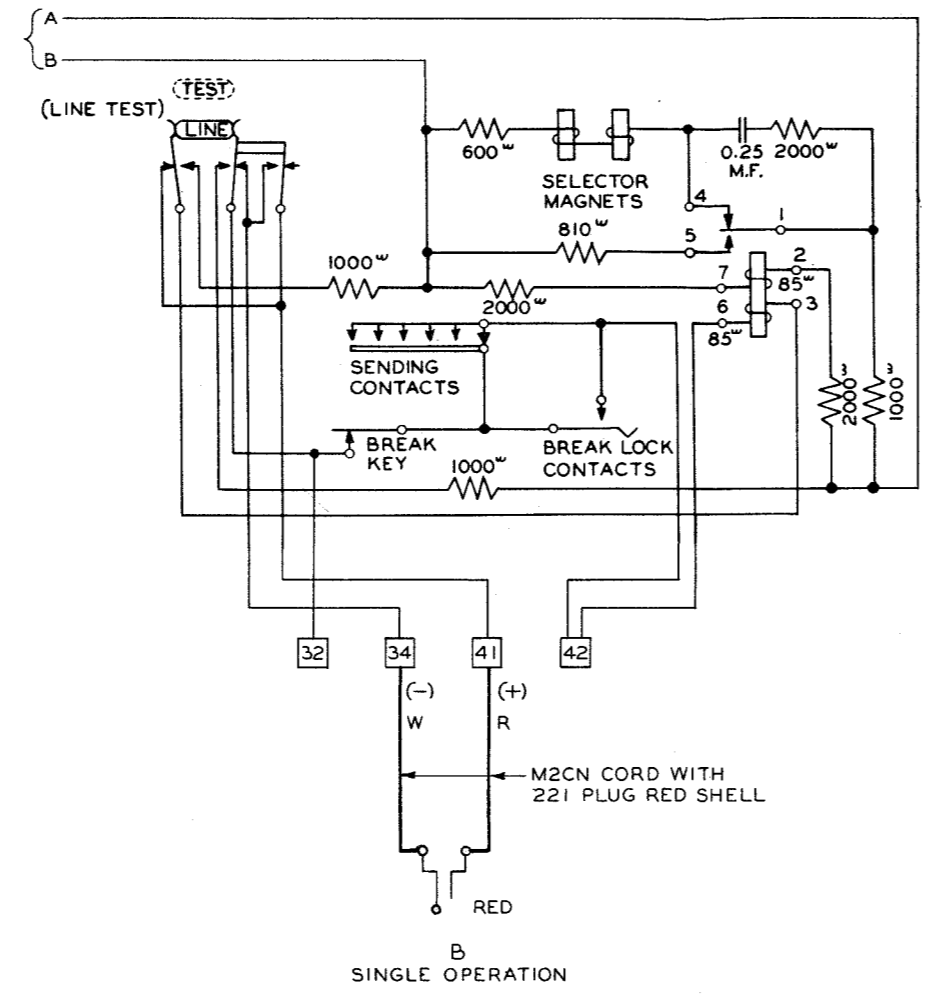


FIG. 4
LINE CONNECTIONS TO TELETYPEWRITER
OR TYPING REPERFORATOR WITH LINE RELAY

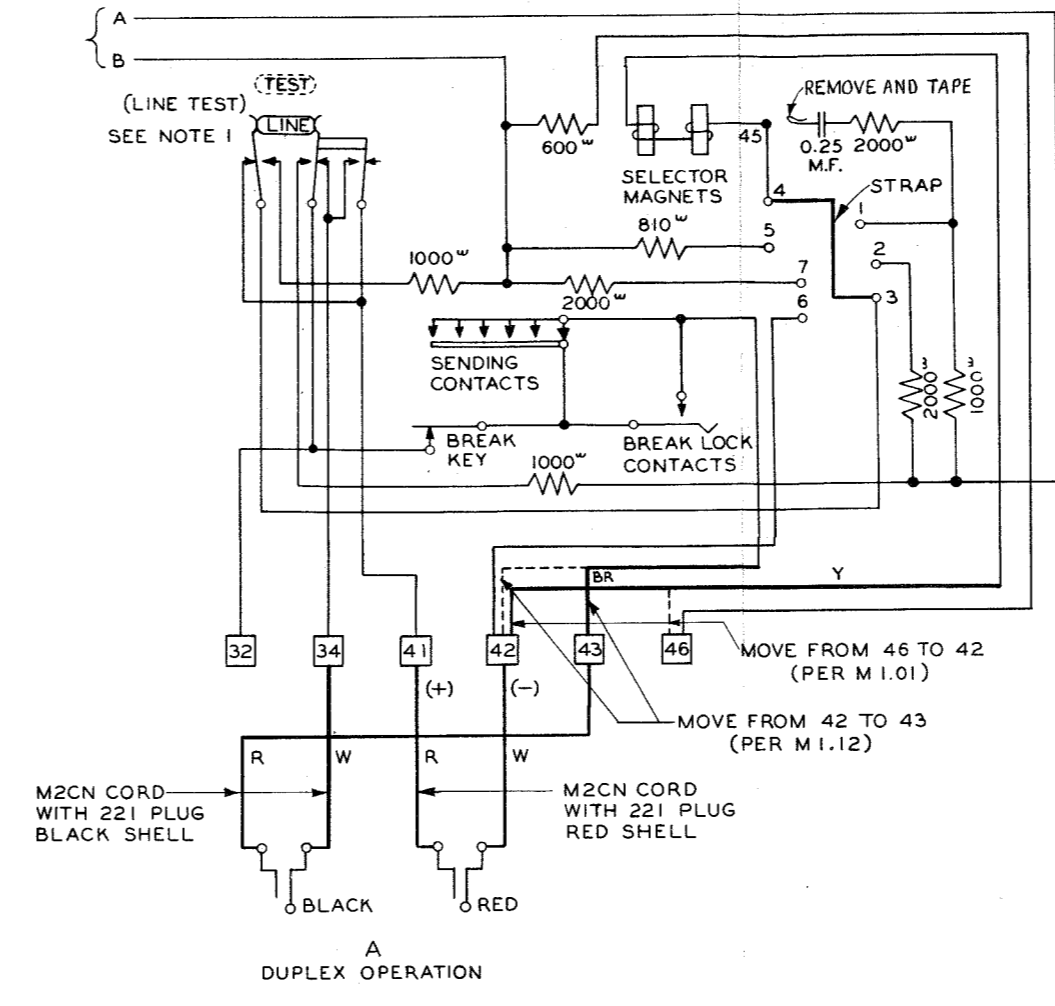
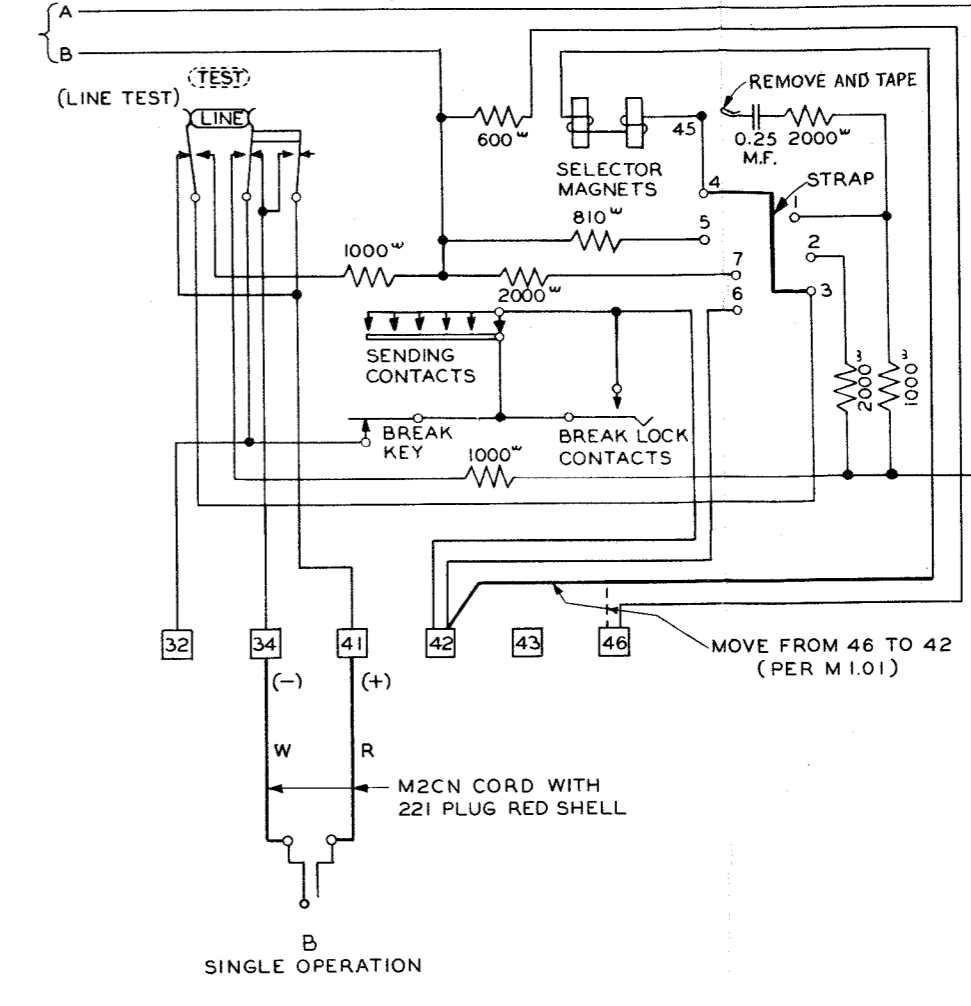


FIG. 5
LINE CONNECTIONS TO TELETYPEWRITER
OR TYPING REPERFORATOR WITHOUT LINE RELAY



SEE SECTION P96.024 OR P96.014 FOR
DETAILS OF POWER AND LOOP PANEL.
SEE SECTION P96.015 FOR ARRANGEMENT
OF CUSTOMER TABLE.

NOTE 1—MAKE LINE-TEST KEY INEFFECTIVE BY
WIRING PERMANENTLY IN LINE CONDITION
OR EQUIP THE KEY WITH P35657 PLUNGER.

NOTE 2—PROVIDE RECTIFIER AND M2BM CORD ONLY
IF FIG. 4 IS USED.

NOTE 3—WHEN 117852M ELEC. SERV. ASSEMBLY
IS USED DO NOT CHANGE TWO WIRE
RECEPTACLE TO THREE WIRE.

POWER DRAINS (AMPS.)

TYPE	A-C DRAIN
MOTOR	START 15.0 RUN 1.5
SYNC (HC)	15.0 1.5
SYNC (GE)	10.0 2.0
SERIES	2.6 1.1

TELEGRAPH SYSTEMS
NO. 14 TELETYPEWRITER
NO. 14 TYPING REPERFORATOR
TELETYPEWRITER STATIONS
PRIVATE LINE SERVICE
CUSTOMER PROVIDED TABLE
WIRING OF POWER AND LOOP PANEL
AND CONNECTIONS TO TTY
A-C POWER

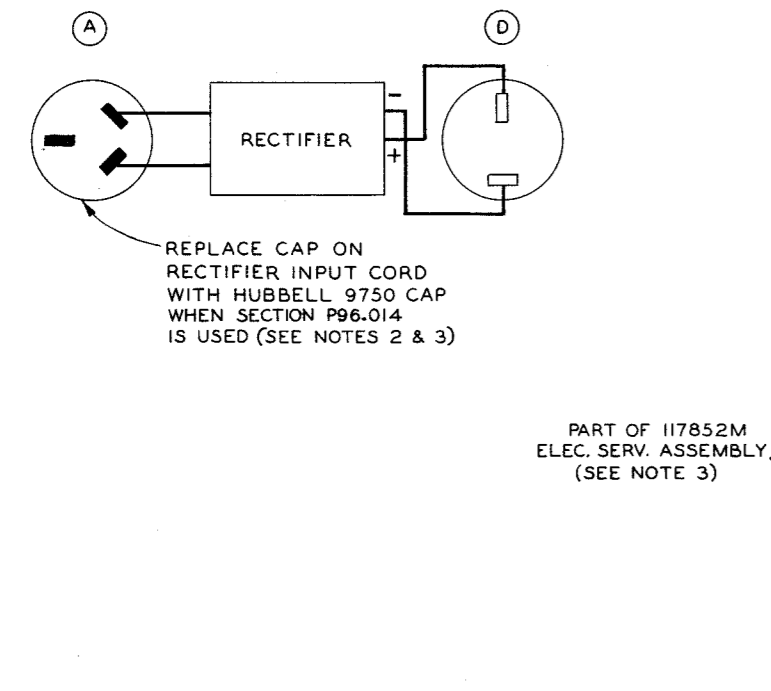


FIG. 1
POWER WIRING OF PANEL

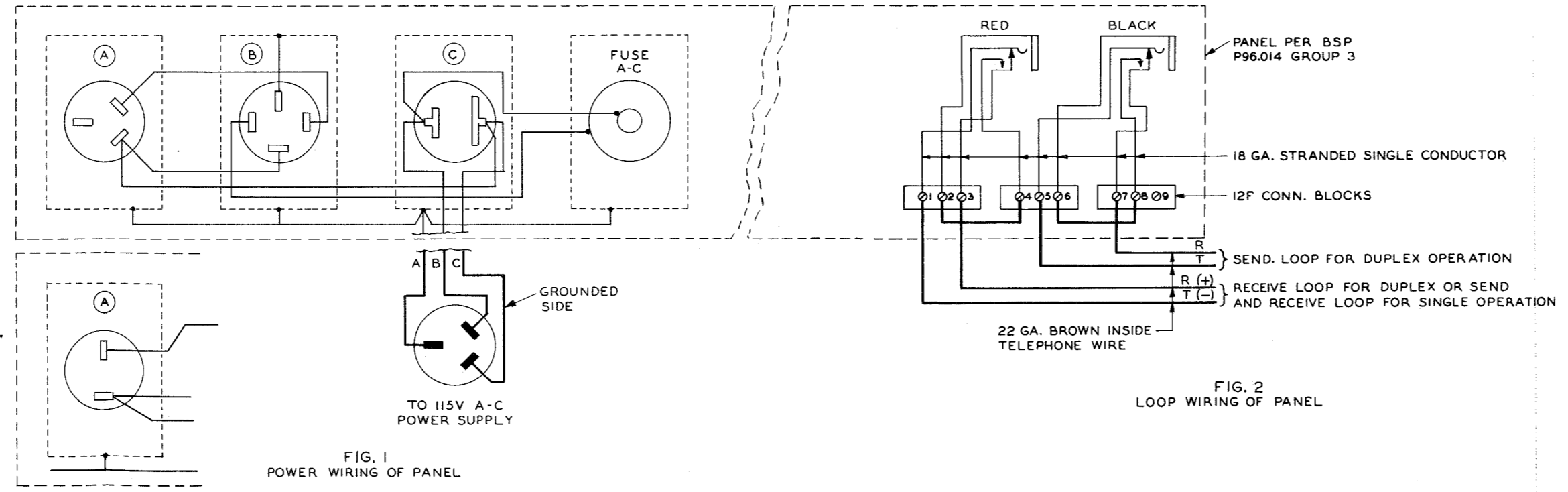


FIG. 2
LOOP WIRING OF PANEL