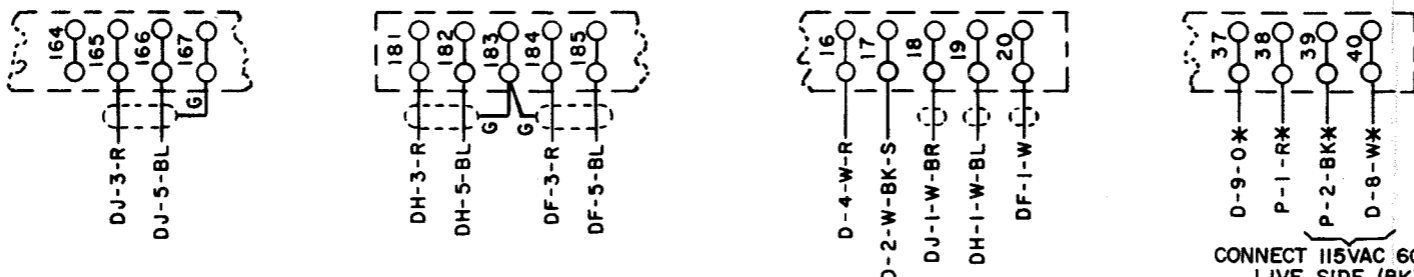


ISSUE	DATE	AUTH. NO.
1	1-9-65	16362-R
2	4-30-65	86734

- NO** **NOTES**
- 1. WIRING LEGEND**
 - 2. COLOR CODE**

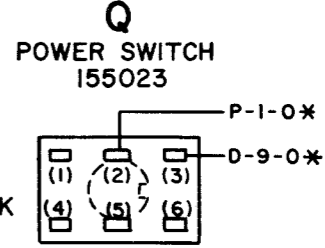
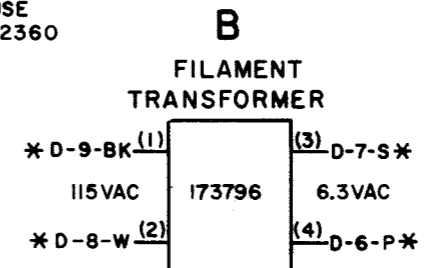
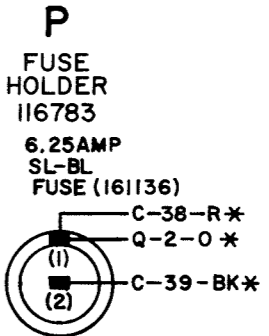
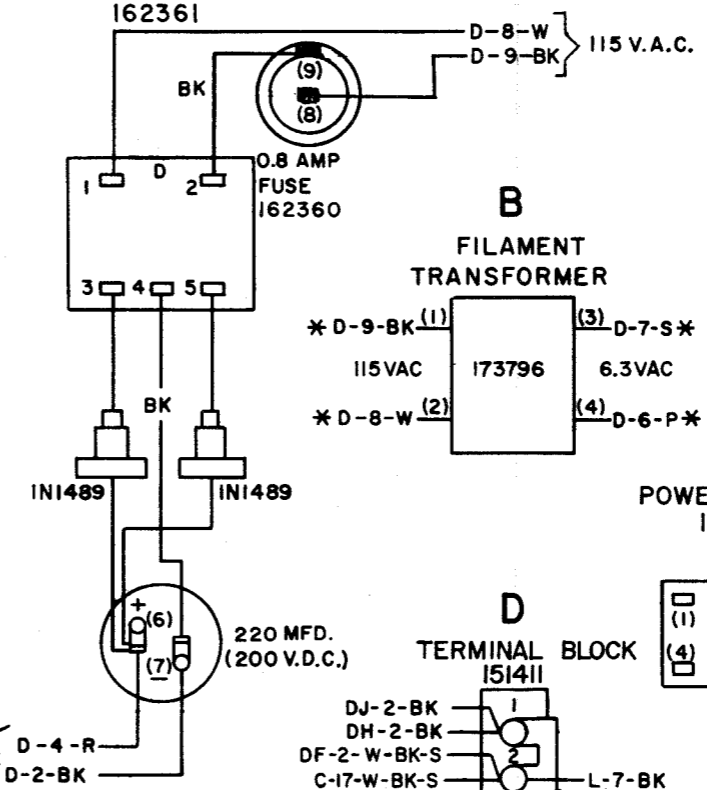
BK BLACK	P PURPLE
BL BLUE	R RED
BR BROWN	S SLATE
G GREEN	W WHITE
O ORANGE	Y YELLOW
 - 3. ALL COMPONENTS VIEWED FROM SOLDER TERMINAL ENDS.**
 - 4. DENOTES SHIELDED WIRE, 22 AWG, UNLESS OTHERWISE SPECIFIED**
 - 5. TERMINAL DESIGNATIONS ENCLOSED IN PARENTHESES ARE FOR REFERENCE AND ARE NOT NECESSARILY MARKED ON COMPONENT.**
 - 6. DESIGNATIONS DF, DH AND DJ ARE USED FOR REFERENCE ON THIS WIRING DIAGRAM ONLY. SELECTOR MAGNET DRIVER TERMINAL BLOCKS ARE DESIGNATED AS "D" ON DRIVER WIRING DIAGRAM 7488 WD.**
 - 7. ASSOCIATED CABLE ASSEMBLIES:**
 173846 MAIN CABLE
 173857 FUSE-SWITCH
 173858 FILAMENT XFMR
 - 8. * ASTERISK DENOTES 18 AWG. WIRE ALL OTHER 22 AWG.**
 - 9. SEE 7538WD FOR SCHEMATIC WIRING.**

C
CABINET TERMINAL BLOCKS

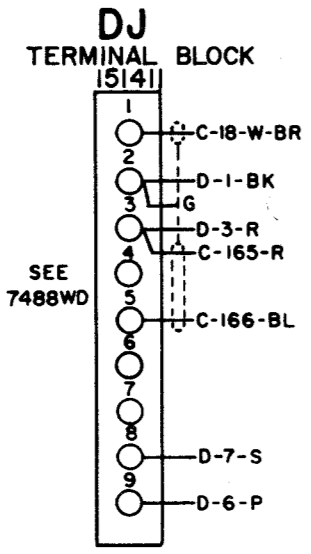


CONNECT 115VAC 60~ POWER CORD
 LIVE SIDE (BK) TO C39
 GROUND SIDE (W) TO C40
 SAFETY GROUND (G) TO CABINET FRAME

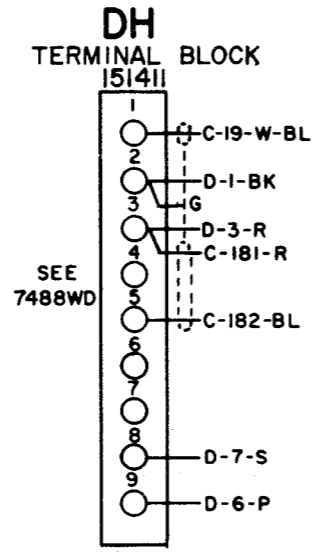
L
RECTIFIER ASSEMBLY
162361



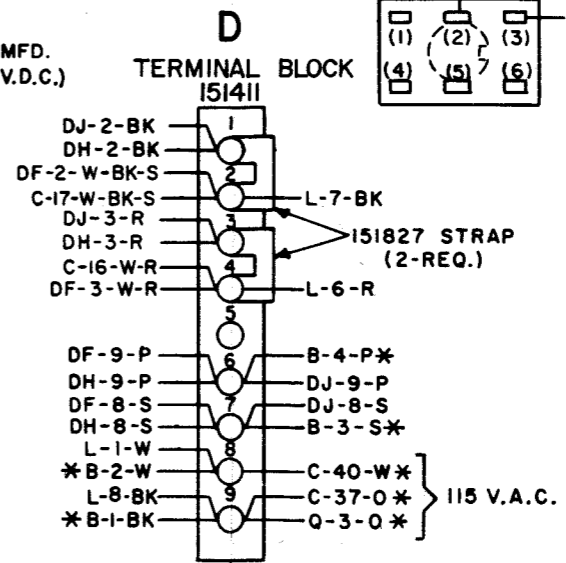
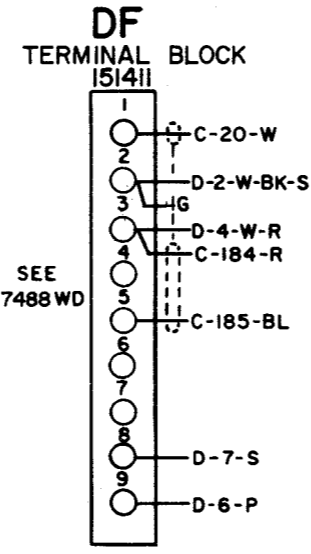
AUX. REPERFORATOR
SELECTOR MAGNET
DRIVER



KEYBOARD
REPERFORATOR
SELECTOR MAGNET
DRIVER



TYPING UNIT
SELECTOR MAGNET
DRIVER



ACTUAL
WIRING DIAGRAM
FOR
310183
ELECTRICAL
SERVICE ASSEMBLY

APPROVALS

D AND R E OF M

E-NUMBER
 PROD. NO. 7537 WD

DATE: 10-31-64
 P.D. FILE NO. N-8-G
 DRAWN. J. J. A. CHKD.
 ENGD. B. P. K. APPD.

TELETYPE
CORPORATION
7537 WD