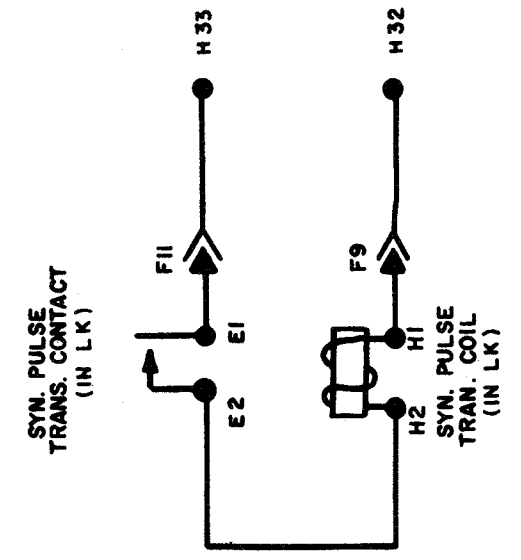
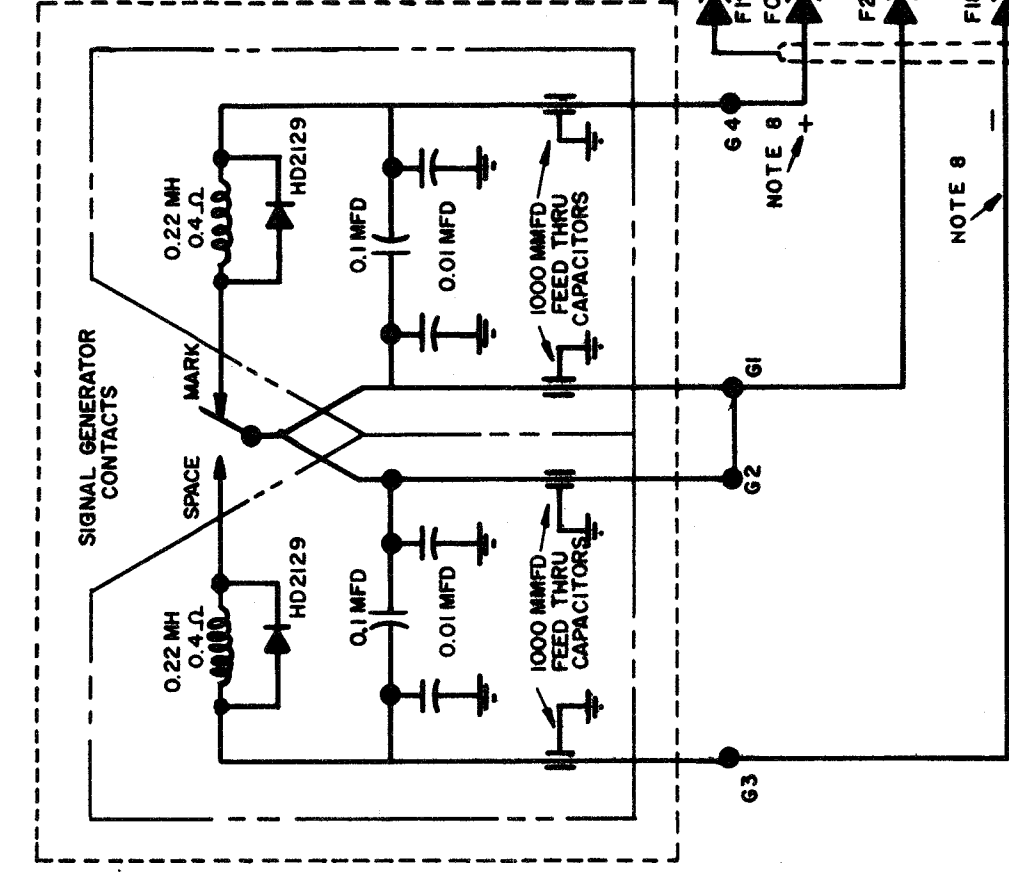
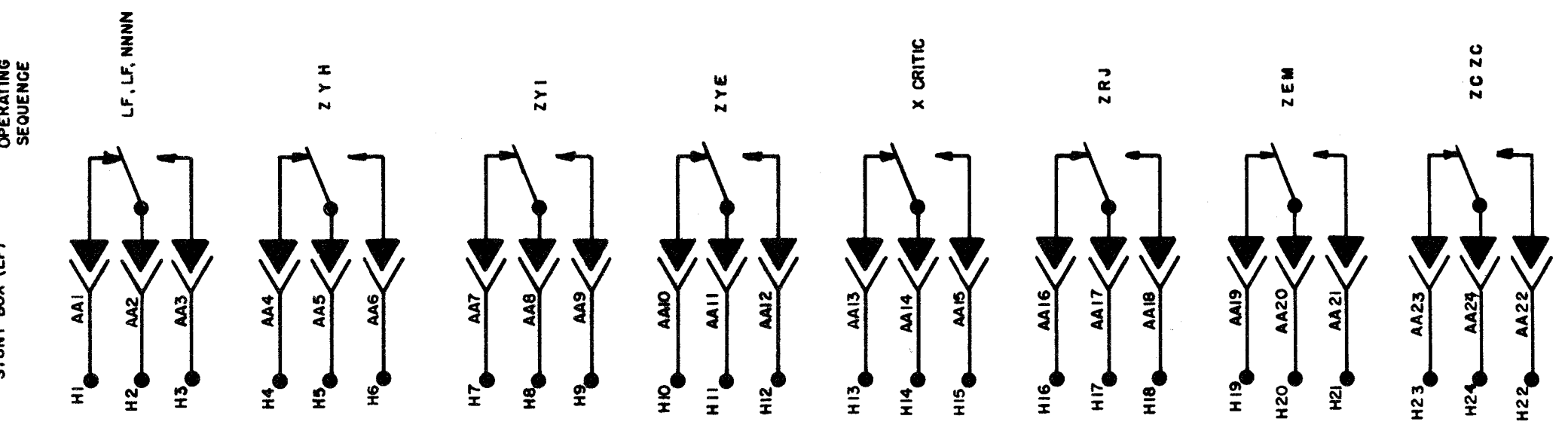


ELECTRONIC KEYS ASSEMBLY

CONTACTS IN STUNT BOX (LP)



4269WD		
REVISIONS		
ISSUE	DATE	AUTH. NO.
A	7-28-60	CC-106
B	7-6-61	70867

SCHEMATIC WIRING DIAGRAM FOR RACK MOUNTED PAGE PRINTER SET 173395
173816 ELECTRICAL SERVICE ASSEMBLY

APPROVALS	
D B R	E / M
E-NO.	
PROD. NO. 4269 WD	
DATE: 7-7-60	
P.D. FILE NO. 18-A.65/2.219A	
DRAWN WPH	CHKD [Signature]
ENGD. D.C.L.	APPD. [Signature]
TELETYPE CORPORATION	
4269 WD	

NO.	NOTES												
1.	FOR ACTUAL WIRING DIAGRAMS OF INDIVIDUAL UNITS SEE: <table border="1"> <thead> <tr> <th>WD NO.</th> <th>UNITS DIRECTLY OPERABLE</th> </tr> </thead> <tbody> <tr> <td>4270 WD</td> <td>ELECTRICAL SERVICE ASSEM.</td> </tr> <tr> <td>4257 WD</td> <td>CABINET LPC</td> </tr> <tr> <td>4262 WD</td> <td>KEYBOARD LK</td> </tr> <tr> <td>2900 WD</td> <td>MOTOR UNIT LMU3</td> </tr> <tr> <td>4196 WD</td> <td>PAGE TYPING UNIT-LP</td> </tr> </tbody> </table>	WD NO.	UNITS DIRECTLY OPERABLE	4270 WD	ELECTRICAL SERVICE ASSEM.	4257 WD	CABINET LPC	4262 WD	KEYBOARD LK	2900 WD	MOTOR UNIT LMU3	4196 WD	PAGE TYPING UNIT-LP
WD NO.	UNITS DIRECTLY OPERABLE												
4270 WD	ELECTRICAL SERVICE ASSEM.												
4257 WD	CABINET LPC												
4262 WD	KEYBOARD LK												
2900 WD	MOTOR UNIT LMU3												
4196 WD	PAGE TYPING UNIT-LP												
2.	LEGEND: <ul style="list-style-type: none"> ○ A KEYBOARD OR REC. ONLY TERM. BLOCK ○ B POWER TERM. BLOCK (E.S.U.) ● C FILAMENT TRANSFORMER (E. S. U.) ▲ F KEYBOARD CONNECTOR ● L 120 MA RECTIFIER ● H 120 POINT TERM. BLOCK (E. S. U.) ▲ P BASE CONNECTOR ▲ Q COVER CONNECTOR LPC ○ T COVER TERM. BLOCK LPC ▲ AA PRINTER CONNECTOR ▲ BA TURRET SOCKET (E. S. U.) ○ BE TERMINAL BLOCK (ELECTRONIC KEYS) 												
3.	DOT DASH (·—·—) LINES INDICATE FILTERING, SHIELDING AND SUPPRESSION NETWORK.												
4.	ALL APPARATUS SHOWN IN UNOPERATED OR DE-ENERGIZED POSITIONS.												
5.	RESISTANCE VALUES IN OHMS (Ω) INDUCTANCE VALUES IN MICROHENRIES (μH or MH) CAPACITANCE VALUES IN MICROFARADS (μf or MF)												
6.	CIRCUITS SHOWN FOR POLAR SIGNAL LINE OPERATION.												
7.	USE SYNCHRONOUS MOTOR ON REGULATED 60 ~ (±1%) A.C. POWER ONLY. GOVERNED MOTORS AND OTHER POWER CIRCUITS OPERABLE ON 50-60 ~ UNREGULATED A.C.												
8.	POLARITY AS INDICATED MUST BE OBSERVED FOR PROPER R.F. FILTER OPERATION.												
9.	POWER FACTOR CORRECTION IS NOT SUPPLIED WITH 173816 ELECTRICAL SERVICE ASSEMBLY.												

