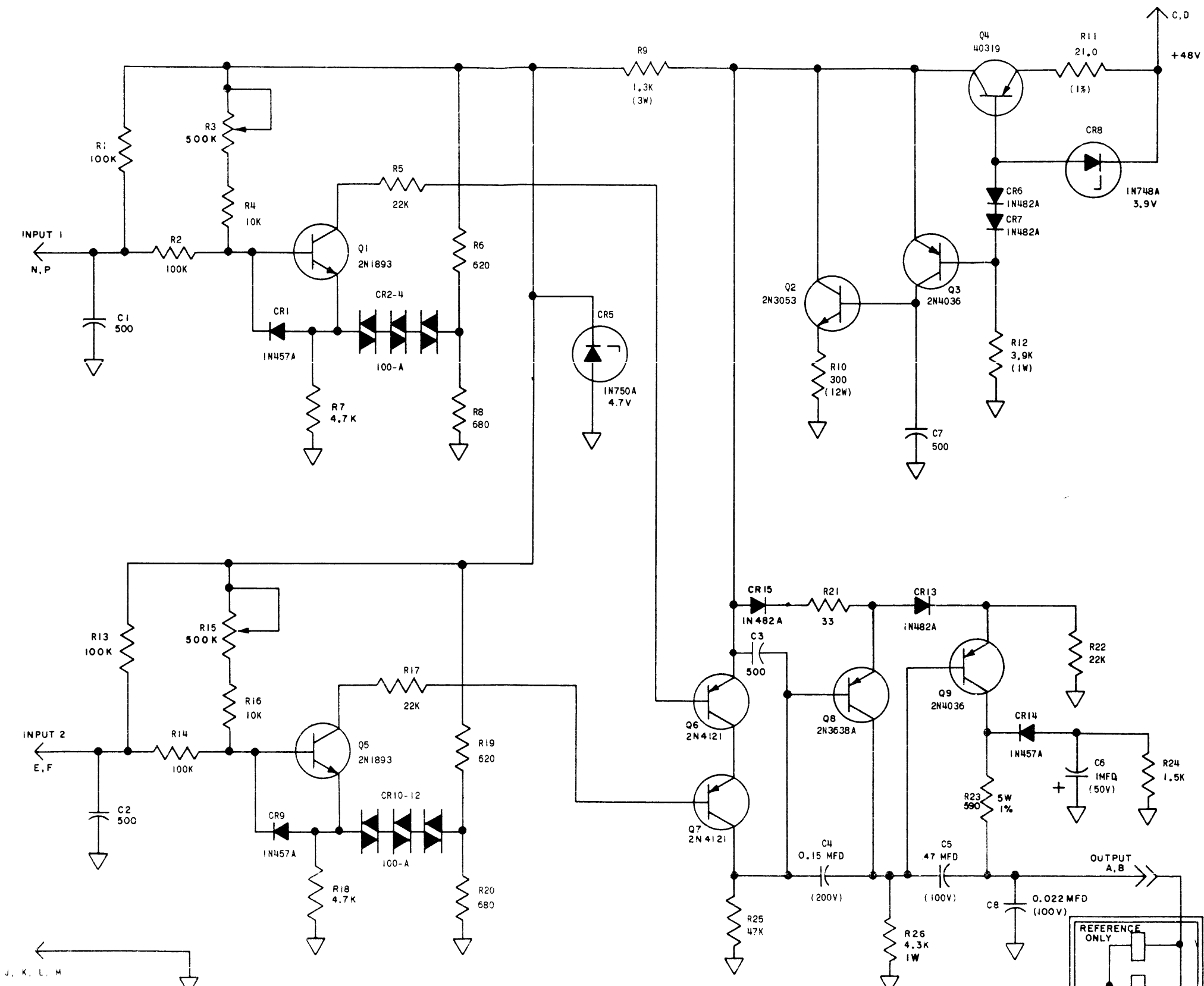


8143 WD

REVISIONS

ISSUE	DATE	AUTH. NO.
1	2-23-67	18284-R
2	5-17-67	93739
3	10-16-67	94596-B

- NO. NOTES
- R3 AND R15 ARE ADJUSTED FOR SYMMETRICAL SWITCHING ABOUT ZERO VOLTS FOR INPUT 1 AND 2 RESPECTIVELY.
 - PINS A, B - 60MA TO COILS
PINS C, D - 47 TO 53V DC POWER INPUT
PINS N, P - MS 188B SIGNAL INPUT 1
PINS E, F - MS 188B SIGNAL INPUT 2
PINS H, J, K, L, M, - CIRCUIT COMMON
(ALL INPUTS AND OUTPUTS REFERRED TO CIRCUIT COMMON).
 - REFERENCE SPEC. FOR TELETYPE CORP. EMPLOYEES ONLY:
61,264S.
 - ALL RESISTORS ARE 5%, 1/2 WATT UNLESS OTHERWISE SPECIFIED.
 - ALL CAPACITANCE VALUES IN PICOFARADS UNLESS OTHERWISE SPECIFIED.
 - ∇ DENOTES CIRCUIT COMMON.



WDP

SCHEMATIC
WIRING DIAGRAM
FOR
323810
SELECTOR MAGNET
DRIVER
WITH SIGNAL COMBINER
(MS 188B INPUTS)

APPROVALS

D AND R <i>[Signature]</i>	E OF M <i>[Signature]</i>
-------------------------------	------------------------------

E-NUMBER

PROD. NO. 8143WD

DATE 9-12-66

R.D. FILE NO. 15-65AAA

DRAWN R.S.S.	CHKD. <i>[Signature]</i>
ENGD. D.D. <i>[Signature]</i>	APPD. <i>[Signature]</i>

TELETYPE CORPORATION

8143 WD

