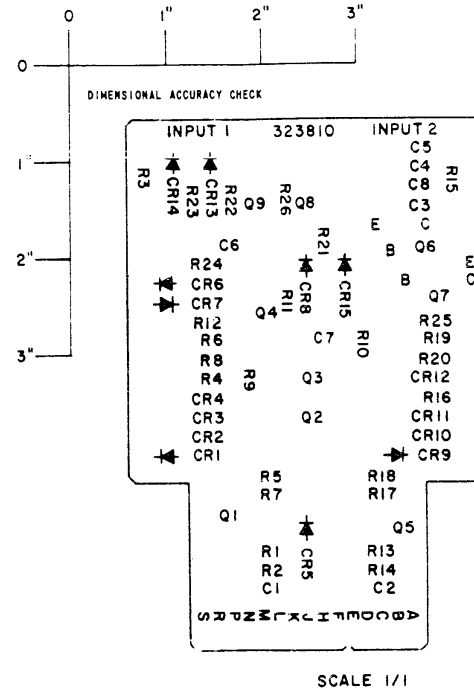
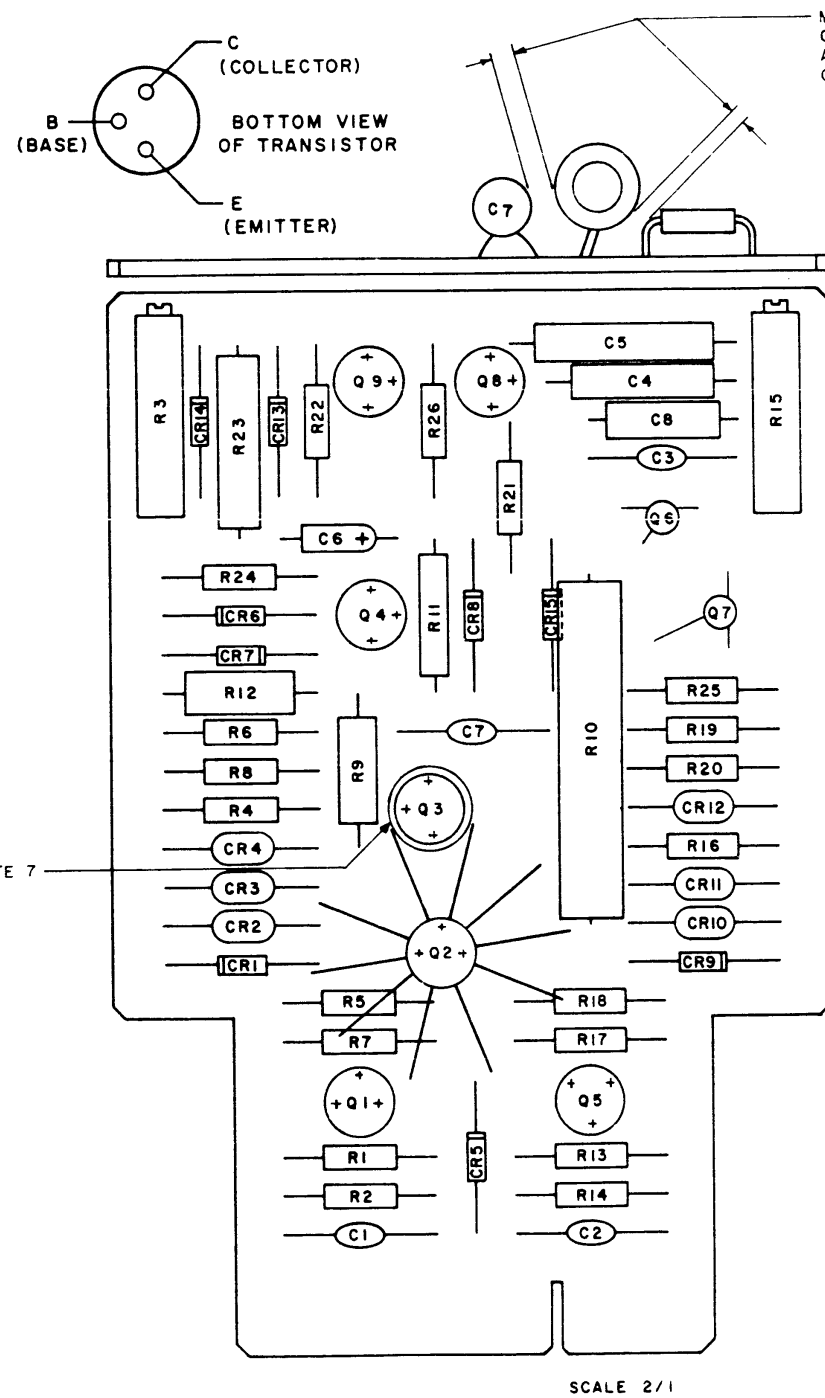


ASSEMBLY, CIRCUIT (SMD WITH SIGNAL COMBINER)

NO. 8-M



- NOTE:
1. TRANSISTOR Q2 HAS 323847 HEAT SINK PRESSED ON.
 2. USE 323846 TRANSISTOR PAD UNDER TRANSISTOR Q3
 3. REFERENCE SPECIFICATION FOR TELETYPE CORP. EMPLOYEES ONLY: 61.2645
 4. REFER TO 8143MD FOR SCHEMATIC WIRING DIAGRAM
 5. ALL CHARACTERS TO BE .125 HIGH AND PRINTED WITH WHITE ENAMEL.
 6. ALL PRINTED CHARACTERS TO BE LOCATED +.031 FROM NOMINAL POSITION
 7. Q3 HAS 30016 INSULATING COVER. POSITION Q3 (WITH COVER) SO THAT 323847 HEAT SINK MAY BE FULLY SEATED ON Q2.
 8. 144495 TRANSISTOR PAD REQUIRED ON Q1, Q4, Q5, Q8 AND Q9, AND Q2.

REF. DESIG.	TELETYPE PART NO.	TOTAL QTY.	NAME AND DESCRIPTION	LOCATING FUNCTION
C1	321157	1	CAPACITOR, 500 pF	R.F. BY-PASS CAP.
C2	321157	1	CAPACITOR, 500 pF	R.F. BY-PASS CAP.
C3	321157	1	CAPACITOR, 500 pF	R.F. BY-PASS CAP.
C4	171829	1	CAPACITOR, .15 MFD	Q8 FEEDBACK CAP.
C5	326776	1	CAPACITOR, .47 MFD	Q9 FEEDBACK CAP.
C6	321260	1	CAPACITOR, 1 MFD 50V	TRANSIENT SUPP.
C7	321157	1	CAPACITOR, 500 pF	R.F. BY-PASS CAP.
C8	178860	1	CAPACITOR, .022 MFD	R.F. BY-PASS CAP.
R1	118720	1	RESISTOR, 100K, 1/2W	Q1 OPEN LINE BIAS
R2	118720	1	RESISTOR, 100K, 1/2W	INPUT 1 RES
R3	323964	1	POTENTIOMETER 500K	Q1 BIAS
R4	129854	1	RESISTOR, 10K, 1/2W	Q1 BIAS
R5	118177	1	RESISTOR, 22K, 1/2W	Q1 LOAD RES.
R6	137604	1	RESISTOR, 620, 1/2W	VOLTAGE DIVIDER
R7	118146	1	RESISTOR, 4.7K, 1/2W	Q1 EMITTER RES.
R8	129850	1	RESISTOR, 680, 1/2W	VOLTAGE DIVIDER
R9	309868	1	RESISTOR, 1.3K, 3W	CR5 CURRENT LIMITER
R10	323841	1	RESISTOR, 300, 1/2W	Q2 LOAD RES.
R11	323842	1	RESISTOR, 21, 1/2W, 1% RESISTOR, 21, 1/2W, 1%	REG. CURRENT SET
R12	178864	1	RESISTOR, 3.9K, 1W	CR8 CURRENT LIMITER
R13	118720	1	RESISTOR, 100K, 1/2W	Q5 OPENLINE BIAS
R14	118720	1	RESISTOR, 100K, 1/2W	INPUT 2 RES.
R15	323964	1	POTENTIOMETER 500K	Q5 BIAS
R16	129854	1	RESISTOR, 10K, 1/2W	Q5 BIAS
R17	118177	1	RESISTOR, 22K, 1/2W	Q5 LOAD RES.
R18	118146	1	RESISTOR, 4.7K, 1/2W	Q5 EMITTER RES.
R19	137604	1	RESISTOR, 620, 1/2W	VOLTAGE DIVIDER
R20	129850	1	RESISTOR, 680, 1/2W	VOLTAGE DIVIDER
R21	321975	1	RESISTOR, 33, 1/2W	Q8 EMITTER RES.
R22	118177	1	RESISTOR, 22K, 1/2W	CR13 BIAS RES.
R23	323843	1	RESISTOR, 590, 5W, 1% RESISTOR, 590, 5W, 1%	COIL CURRENT LIMITER
R24	137442	1	RESISTOR, 1.5K, 1/2W	Q6 BLEEDER RES.
R25	118154	1	RESISTOR 47K, 1/2W	Q6, Q7 LOAD RES.
R26	120424	1	RESISTOR 4.3K, 1W	Q6 LOAD RES.
CR1	321154	1	DIODE, 1N457A	Q1 BASE PROT.
CR2	178844	1	VARIABLE, 100-A	TEMP. COMP.
CR3	178844	1	VARIABLE, 100-A	TEMP. COMP.
CR4	178844	1	VARIABLE, 100-A	TEMP. COMP.
CR5	181667	1	DIODE, 1N750A	TEMP. COMP. REF.
CR6	321156	1	DIODE, 1N482A	Q4 COLLECTOR CLAMP
CR7	321156	1	DIODE, 1N482A	Q4 COLLECTOR CLAMP
CR8	321161	1	DIODE, 1N748A	REG. VOLT REF.
CR9	321154	1	DIODE, 1N457A	Q5 BASE PROT.
CR10	178844	1	VARIABLE, 100-A	TEMP. COMP.
CR11	178844	1	VARIABLE, 100-A	TEMP. COMP.
CR12	178844	1	VARIABLE, 100-A	TEMP. COMP.
CR13	321156	1	DIODE, 1N482A	Q8 EMITTER DIODE
CR14	321154	1	DIODE, 1N457A	TRANSIENT SUPP.
CR15	321156	1	DIODE, 1N482A	Q8 EMITTER DIODE
Q1	321166	1	TRANSISTOR, 2N1893	DC AMP.
Q2	323844	1	TRANSISTOR, 2N3053	SHUNT REG.
Q3	321261	1	TRANSISTOR, 2N4036	SHUNT REG. AMP.
Q4	323845	1	TRANSISTOR, 40319	SERIES REG.
Q5	321166	1	TRANSISTOR, 2N1893	DC AMP.
Q6	324144	2	TRANSISTOR, 2N4121	DC AMP.
Q7			SAME AS Q6	
Q8	321165	1	TRANSISTOR, 2N3638A	DC AMP.
Q9	321261	1	TRANSISTOR, 2N4036	DC AMP.
	324147	2	PAD, TRANSISTOR	
	144495	1	PAD, TRANSISTOR	
	323846	1	PAD, TRANSISTOR	
	323847	1	HEAT SINK	
	323835	1	CIRCUIT BOARD, ETCHED	
	306116	1	COVER, INSULATING	

323810

REVISIONS

ISSUE	DATE	AUTH. NO.
1	2-23-67	18240-R
2	4-24-67	93730
3	10-16-67	94596-B
4	11-21-67	94849-B
5	5-22-68	95850
6	12-20-68	98266
7	1-29-69	98172
8	2-17-69	98267

USED ON 323808

APPROVALS

D AND R	E OF M
<i>AK</i>	<i>CS</i>

E-NUMBER

PROD. NO. 323810

DATE 2-1-67

P.D. FILE NO. 15-65AAA

DRAWN J.J.A. MKD. *JJA*

ENGD. *AK* APPD. *JJA*

TELETYPE CORPORATION

323810