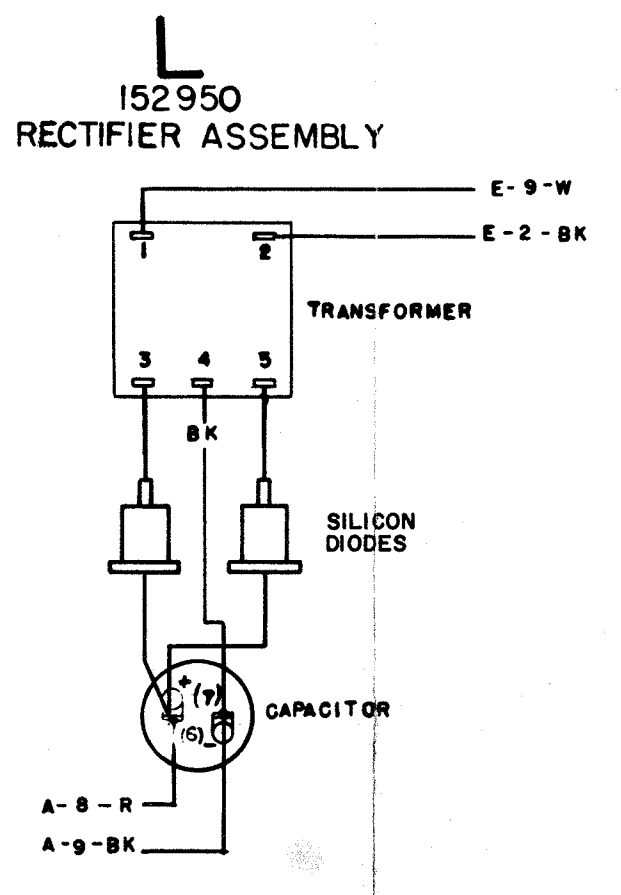
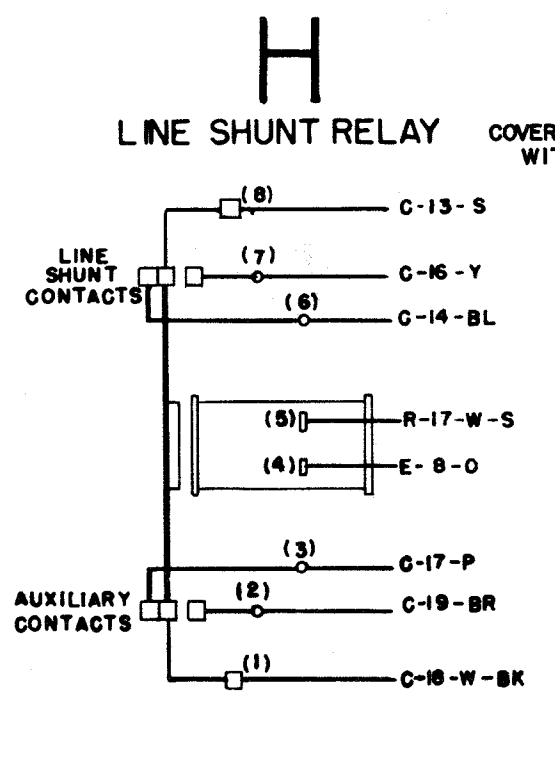
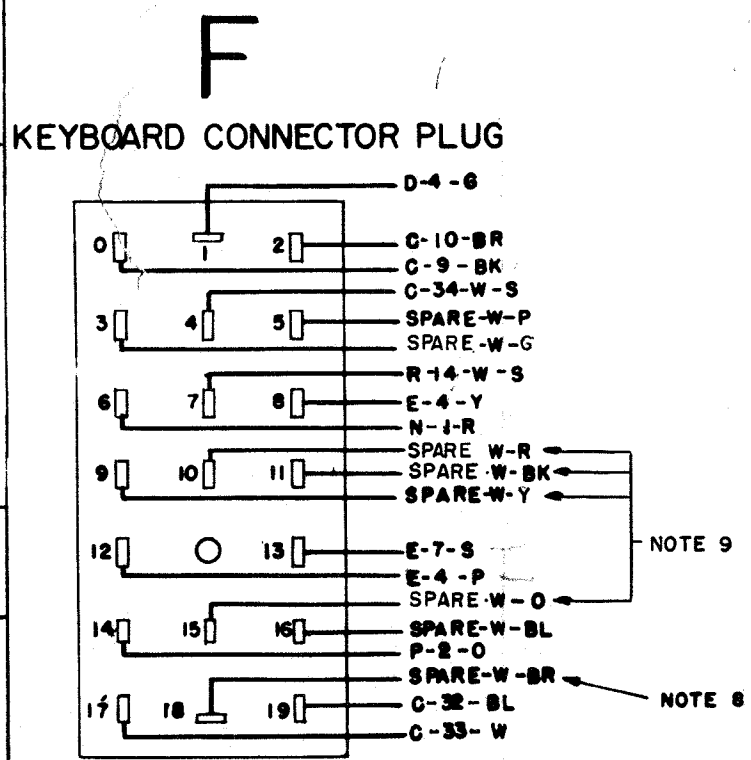
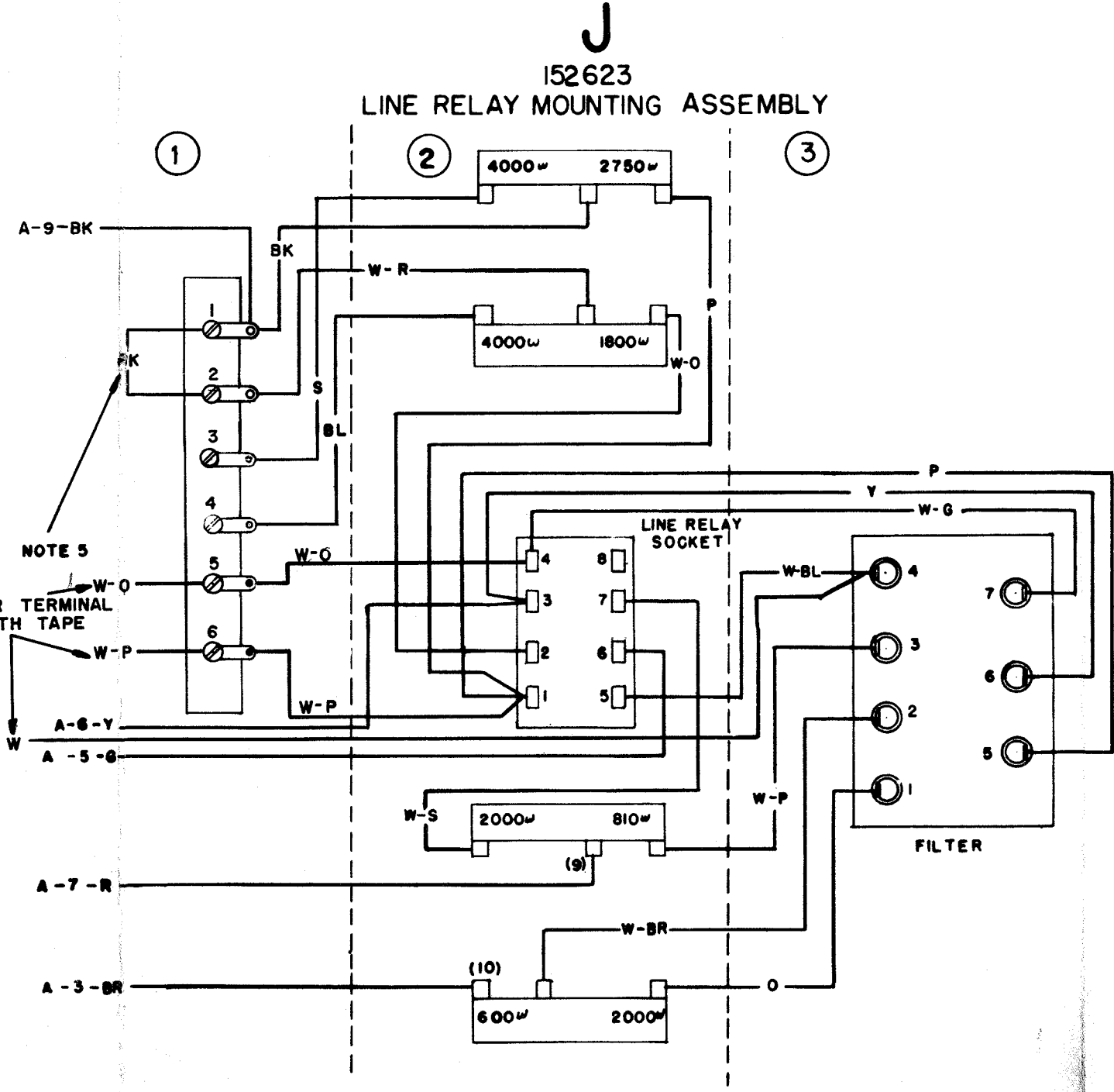
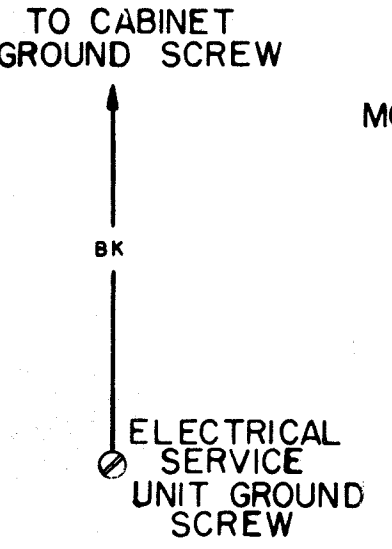
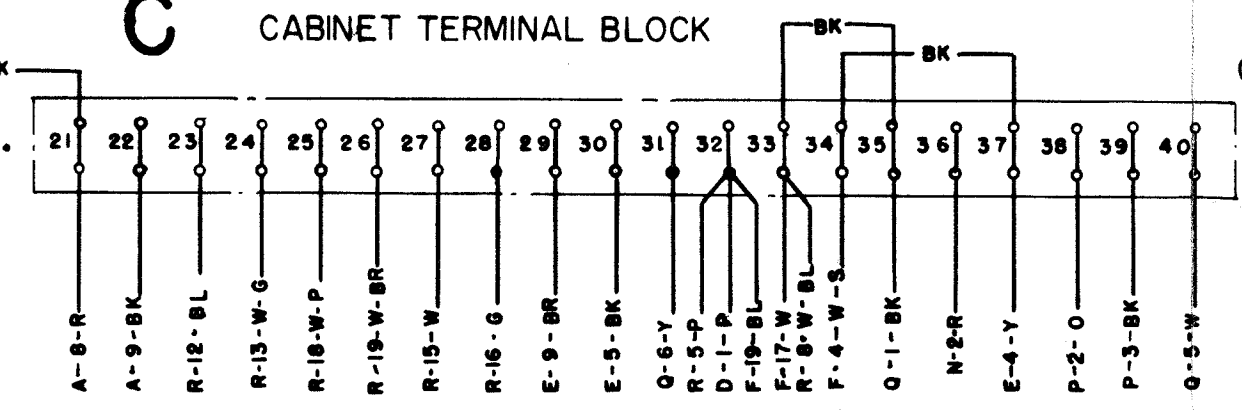
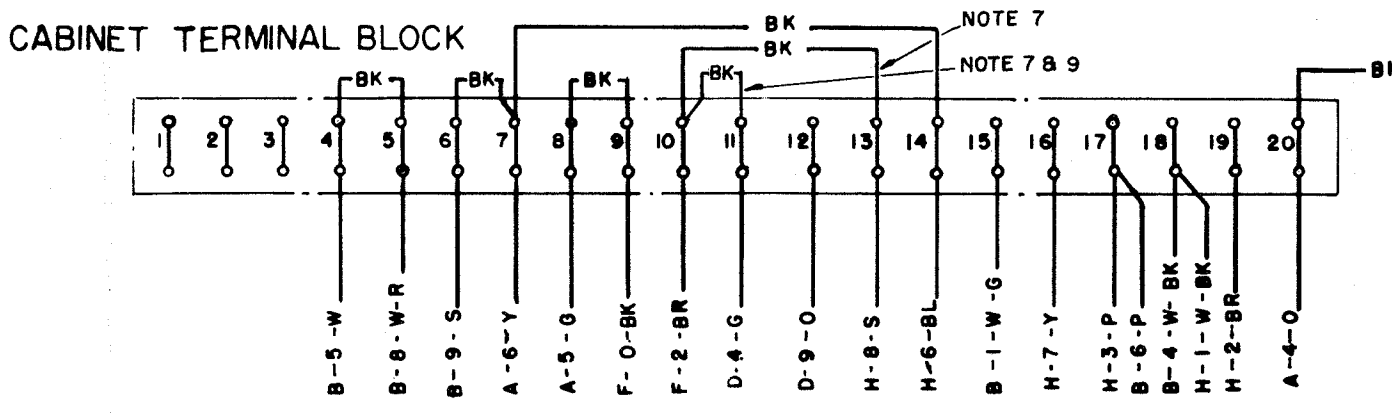
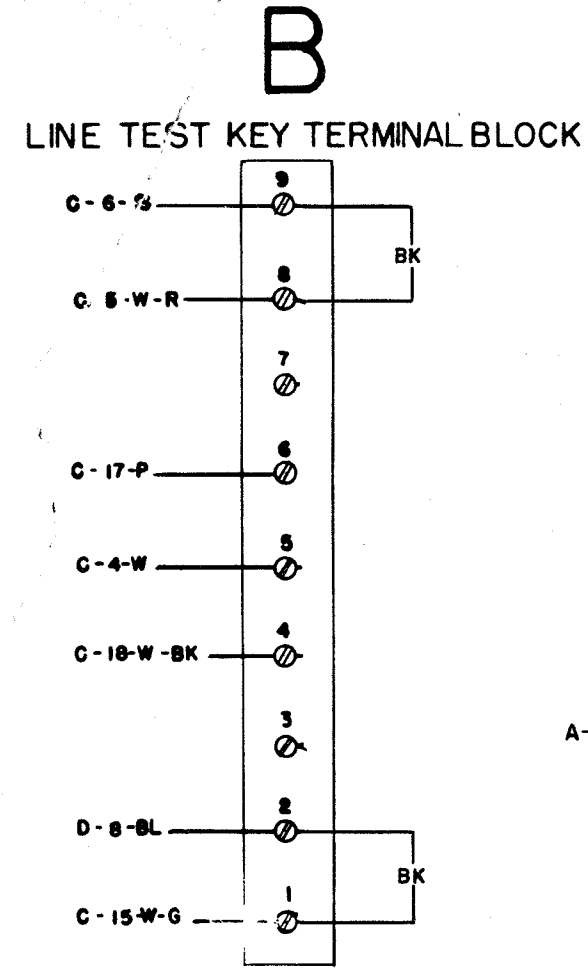
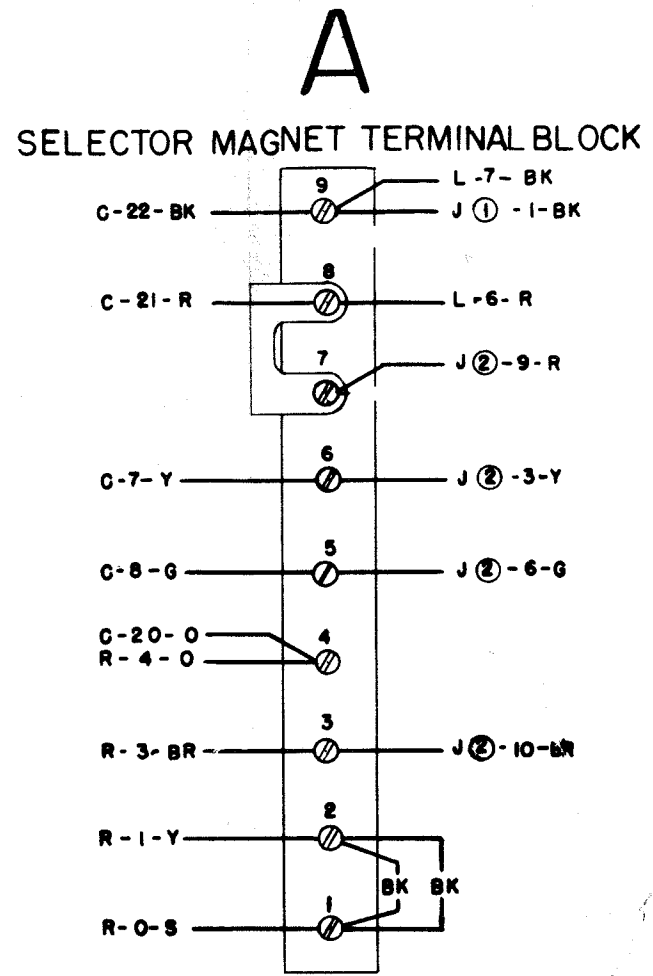
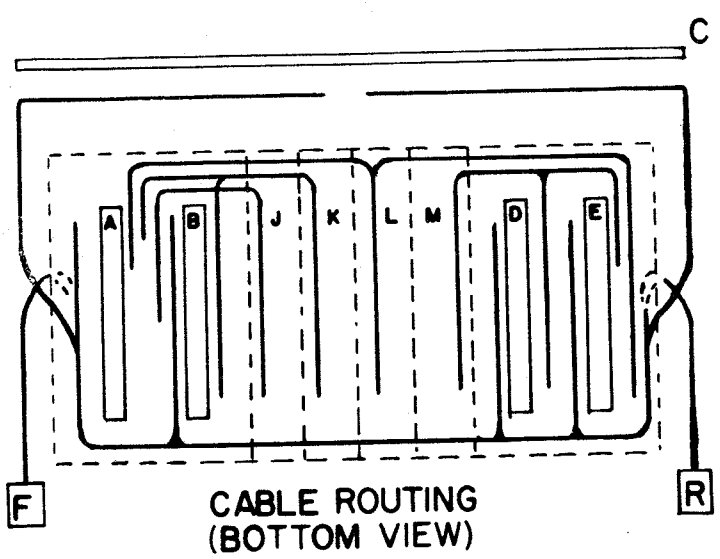
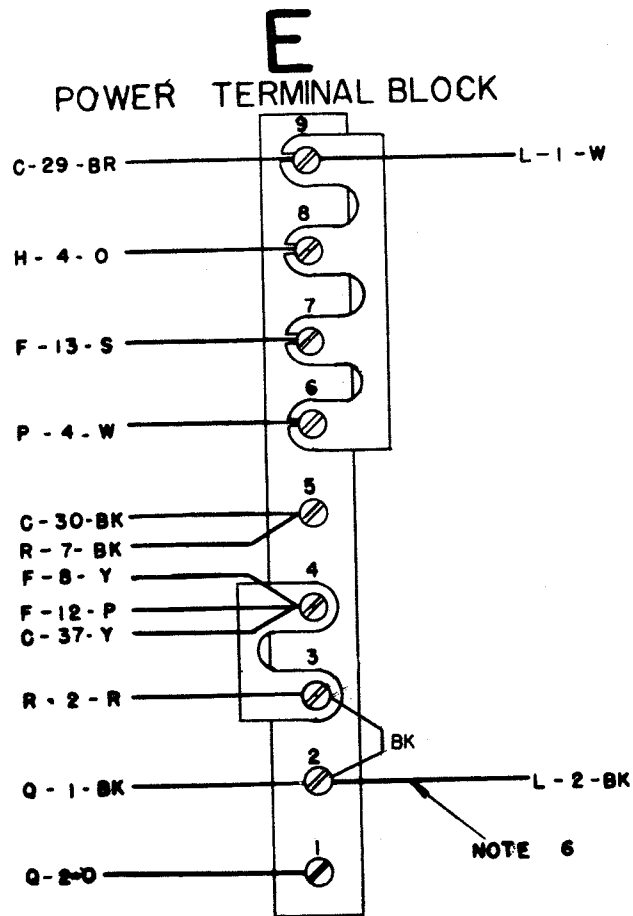


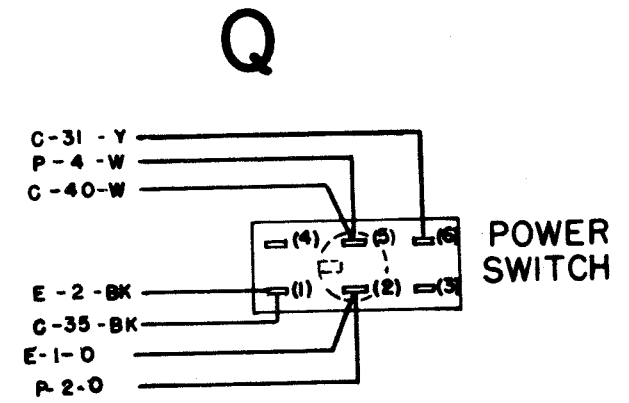
NOTES																						
1. WIRING LEGEND:																						
2. COLOR CODE	<table border="0"> <tr> <td>BK- BLACK</td> <td>W-BK- WHITE- BLACK</td> </tr> <tr> <td>BR- BROWN</td> <td>W-BR- WHITE- BROWN</td> </tr> <tr> <td>R- RED</td> <td>W-R- WHITE- RED</td> </tr> <tr> <td>O- ORANGE</td> <td>W-O- WHITE- ORANGE</td> </tr> <tr> <td>Y- YELLOW</td> <td>W-Y- WHITE- YELLOW</td> </tr> <tr> <td>G- GREEN</td> <td>W-G- WHITE- GREEN</td> </tr> <tr> <td>BL- BLUE</td> <td>W-BL- WHITE- BLUE</td> </tr> <tr> <td>P- PURPLE</td> <td>W-P- WHITE- PURPLE</td> </tr> <tr> <td>W- WHITE</td> <td>W-S- WHITE- SLATE</td> </tr> <tr> <td>S- SLATE</td> <td></td> </tr> </table>		BK- BLACK	W-BK- WHITE- BLACK	BR- BROWN	W-BR- WHITE- BROWN	R- RED	W-R- WHITE- RED	O- ORANGE	W-O- WHITE- ORANGE	Y- YELLOW	W-Y- WHITE- YELLOW	G- GREEN	W-G- WHITE- GREEN	BL- BLUE	W-BL- WHITE- BLUE	P- PURPLE	W-P- WHITE- PURPLE	W- WHITE	W-S- WHITE- SLATE	S- SLATE	
BK- BLACK	W-BK- WHITE- BLACK																					
BR- BROWN	W-BR- WHITE- BROWN																					
R- RED	W-R- WHITE- RED																					
O- ORANGE	W-O- WHITE- ORANGE																					
Y- YELLOW	W-Y- WHITE- YELLOW																					
G- GREEN	W-G- WHITE- GREEN																					
BL- BLUE	W-BL- WHITE- BLUE																					
P- PURPLE	W-P- WHITE- PURPLE																					
W- WHITE	W-S- WHITE- SLATE																					
S- SLATE																						
3. UNIT WIRED FOR 115 VOLTS, 50 TO 60 CYCLE A.C. POWER INPUT ONLY.																						
4. PLUGS VIEWED FROM SOLDER TERMINAL ENDS																						
5. CIRCUITS SHOWN FOR .060 AMP. NEUTRAL SIGNAL LINE OPERATION. FOR .020 AMP OPERATION REMOVE AND ADD CONNECTIONS AS TABULATED BELOW.	<table border="1"> <thead> <tr> <th>SIGNAL LINE CURRENT</th> <th>CONNECTION REMOVED</th> <th>CONNECTIONS ADDED</th> </tr> </thead> <tbody> <tr> <td>.020 AMP</td> <td>J①-1-J①②</td> <td>J①③-J①④</td> </tr> </tbody> </table>		SIGNAL LINE CURRENT	CONNECTION REMOVED	CONNECTIONS ADDED	.020 AMP	J①-1-J①②	J①③-J①④														
SIGNAL LINE CURRENT	CONNECTION REMOVED	CONNECTIONS ADDED																				
.020 AMP	J①-1-J①②	J①③-J①④																				
6. RECTIFIER SHOWN CONTROLLED BY POWER SWITCH. FOR CONTINUOUS OPERATION, REMOVE LEAD L-2-BK FROM TERMINAL E-2 AND CONNECT TO TERMINAL E-1.																						
7. LINE SHUNT RELAY SHOWN CONTROLLED BY POWER SWITCH.	<p>a. FOR KEYBOARD OPERATION TERMINAL 13 MAY BE CONNECTED TO EITHER TERMINAL C-9, C-10, C-11 OR C-15 TO OBTAIN DESIRED SHUNTING OF THE SIGNAL LINE CIRCUIT</p> <p>b. FOR RECEIVING ONLY BASES CONNECT C-10 TO C-11</p>																					
8. THESE LEADS FROM THE KEYBOARD AND TYPING UNIT CONNECTOR PLUGS ARE TERMINATED IN THE RIGHT AND LEFT ENDS OF THE ELECTRICAL SERVICE UNIT RESPECTIVELY.																						
9. FOR ACCESSORY GROUP 134 SPLICE AND TAPE SPARE LEADS AS FOLLOWS: F-9-W-Y TO R-6-W-Y, F-10-W-R TO R-9-W-R, F-11-W-BK TO R-11-W-BK, AND F-15-W-O TO R-10-W-O. CONNECT C-10 TO C-11																						



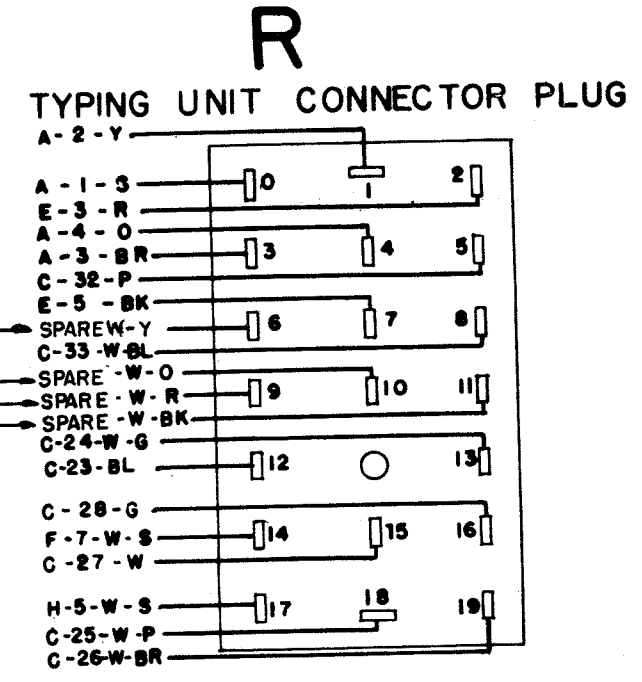
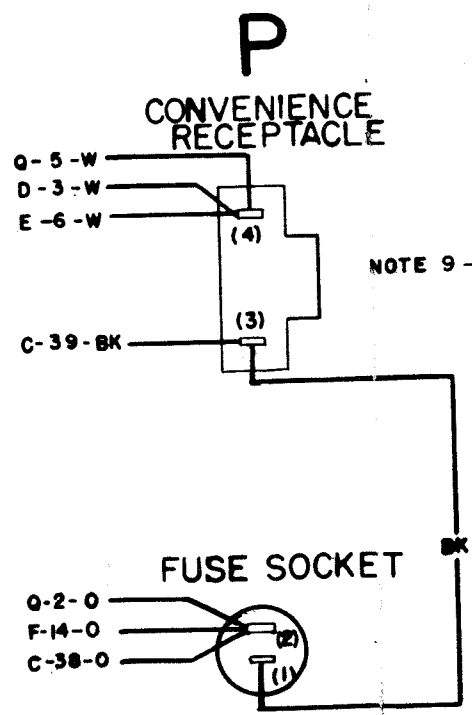
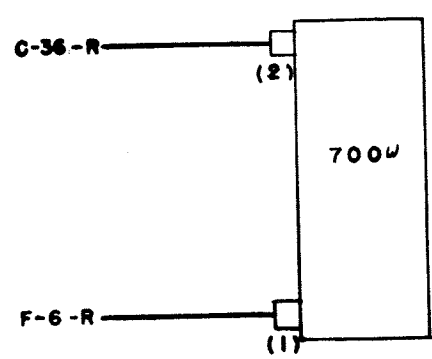


REVISIONS

(A)	9-15-54	28-4472
B	1-26-55	28-4936
C	2-28-55	28-5008
D	3-4-55	28-5047
E	3-30-55	28-5192
F	5-8-57	28-7615
G	3-16-61	68761-4
H	12-7-61	71860
J	3-28-62	69768-10



N MARGIN INDICATOR LAMP RESISTOR



FOR SCHEMATIC SEE 2879 WD.

2878 WD
2-20-54

ACTUAL WIRING DIAGRAM
MODEL 28
ELECTRICAL SERVICE UNIT
LESU7/134, 151

DRAWN: N.K.G.	APPROVED:
ENGR'D: R.H.K.	<i>ET/B</i>
CHECKED: <i>SA</i>	
FILE: 2-30.65.186A	

TELETYPE CORPORATION