

NAVPERS \_\_\_\_\_

TRAINEE'S GUIDE

FOR

U.S. NAVAL SUBMARINE SCHOOL, OPERATIONS ADVANCED TRAINING

AN/UGC-20/25 TELETYPE MAINTENANCE

VOLUME 3

BLANK PICTORIALS

MAY 1971

DEPARTMENT OF THE NAVY  
Bureau of Naval Personnel  
Washington, D.C. 20370

FOREWARD

1. NAVPERS \_\_\_\_\_ Trainee's Pictorial Guide for the AN/UGC-20/25 Teletype Maintenance Course, Class "C", is approved for use in the AN/UGC-20/25 Teletype Maintenance Course A-160-0064, and is effective upon receipt.

Director, Service Schools  
Training Division  
Bureau of Naval Personnel

DISTRIBUTION LIST

<u>DISTRIBUTION</u>	<u>QUANTITY</u>
BUPERS (Pers C11)	1
BUPERS (Pers C43)	1
COMSUBLANT (N-35)	1
CO. FEMSTC CHASN	1
CO. FLESUBTRAFAC PEARL	1
SUBSCOL:	
CODE 70	1
CODE 72	1
CODE 80	1

TRAINEE'S PICTORIAL GUIDE  
FOR  
AN/UGC-20/25 TELETYPE MAINTENANCE  
NAME \_\_\_\_\_  
SERVICE NO. \_\_\_\_\_  
COURSE NO. \_\_\_\_\_  
CLASS NO. \_\_\_\_\_

RECORD OF CHANGES

No.	Authority	Substance	Entered by	Date

CONTENTS

	Page
FOREWARD.....	i
DISTRIBUTION.....	ii
TRAINEE'S NAME PAGE.....	iii
RECORD OF CHANGES.....	iv
TABLE OF CONTENTS.....	v
LIST OF ILLUSTRATIONS.....	vi - viii
ILLUSTRATIONS.....	1 - 67

## LIST OF ILLUSTRATIONS

<u>No</u>	<u>Title</u>	<u>Page</u>
1.	One-Stop Clutch (Disengaged).....	1
2.	One-Stop Clutch (Engaged).....	1
3.	Codebar Submechanism.....	2
4.	Contact Mechanism.....	2
5.	Operation of T-Lever (Spacing).....	3
6.	Operation of T-Lever (Marking).....	3
7.	Universal Mechanism.....	4
8.	Contact Mechanism.....	4
9.	Reset Mechanism.....	5
10.	Repeat Mechanism.....	5
11.	Local Line Feed Mechanism.....	6
12.	Local Carriage Return Mechanism.....	6
13.	Distributor Clutch Trip Mechanism.....	7
14.	Distributor Cam Sleeve.....	7
15.	Contact Screw.....	8
16.	Distributor Mechanism.....	8
17.	Three Speed Shift Mechanism.....	9
18.	Selector Clutch Trip Mechanism.....	10
19.	Selector Clutch and Range Finder.....	11
20.	Selector Clutch Cam Sleeve Assembly.....	12
21.	Selecting Mechanism.....	13
22.	Marking & Spacing Lock Levers (Marking Condition).....	14
23.	Selecting Mechanism and Transfer Mechanism.....	15
24.	Code Bar Mechanism.....	16
25.	Code Bar Shift Bar Positioning.....	16
26.	Code Bar Positioning Mechanism.....	17
27.	Clutch Trip Mechanism.....	18
28.	Type Box Clutch Drive Mechanism.....	19

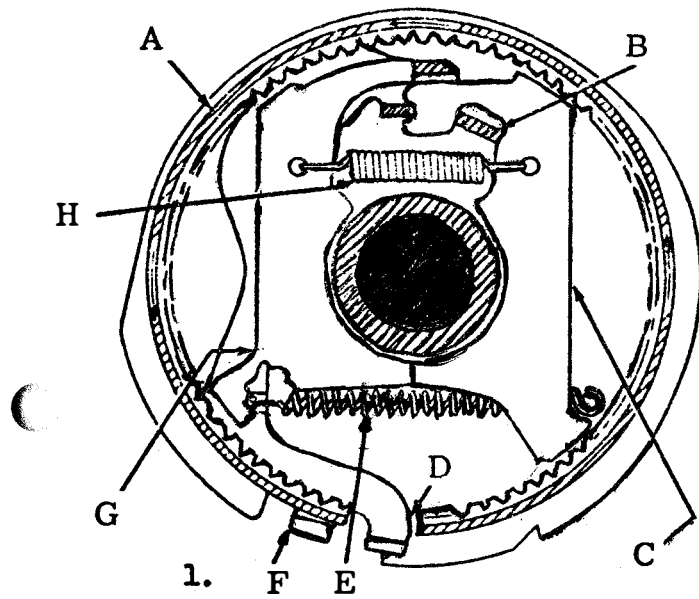
LIST OF ILLUSTRATIONS (Continued)

<u>No.</u>	<u>Title</u>	<u>Page</u>
29.	Vertical Positioning.....	20
30.	Horizontal Positioning (Initial Buckling).....	21
31.	Horizontal Positioning.....	22
32.	Horizontal Positioning (Partial Buckling).....	23
33.	Front Plate Mechanism.....	24
34.	Horizontal Motion Stop Slides.....	25
35.	Horizontal Motion Stop Slides.....	26
36.	Print Hammer and Carriage.....	27
37.	Printing Mechanism.....	28
38.	Spacing Trip Mechanism.....	29
39.	Spacing Drum Drive Mechanism.....	30
40.	Draw Wire Rope and Drums.....	31
41.	Function Reset Bail Mechanism.....	32
42.	Stripper Blade Mechanism.....	33
43.	Function Reset Bail Mechanism.....	34
44.	Function Reset Mechanism.....	34
45.	Function Bar Selection.....	35
46.	Typical Function Linkage (Selected).....	35
47.	Typical Function Linkage (Unselected).....	35
48.	Ribbon Mechanism (Left Side).....	36
49.	Ribbon Mechanism (Top View).....	36
50.	Ribbon Feeding Mechanism.....	37
51.	Line Feed Mechanism (Manual).....	38
52.	Line Feed Mechanism.....	39
53.	Line Feed Function and Clutch Mechanism.....	40
54.	Carriage Return Function Mechanism.....	41
55.	Local Carriage Return Mechanism.....	42
56.	Carriage Return Mechanism.....	42

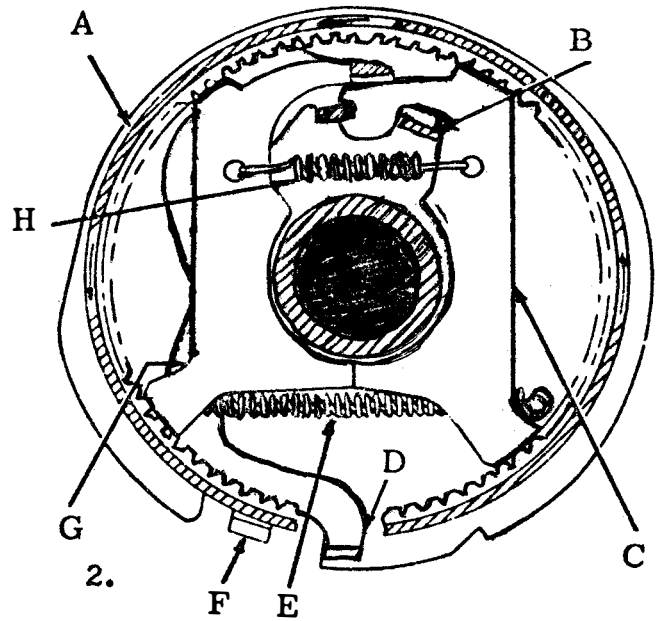


LIST OF ILLUSTRATIONS (Continued)

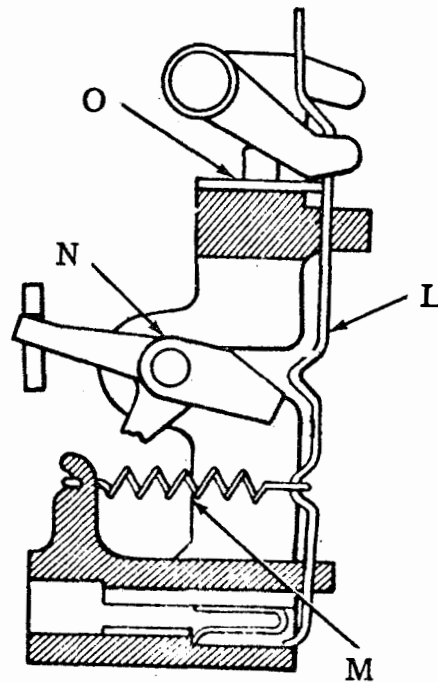
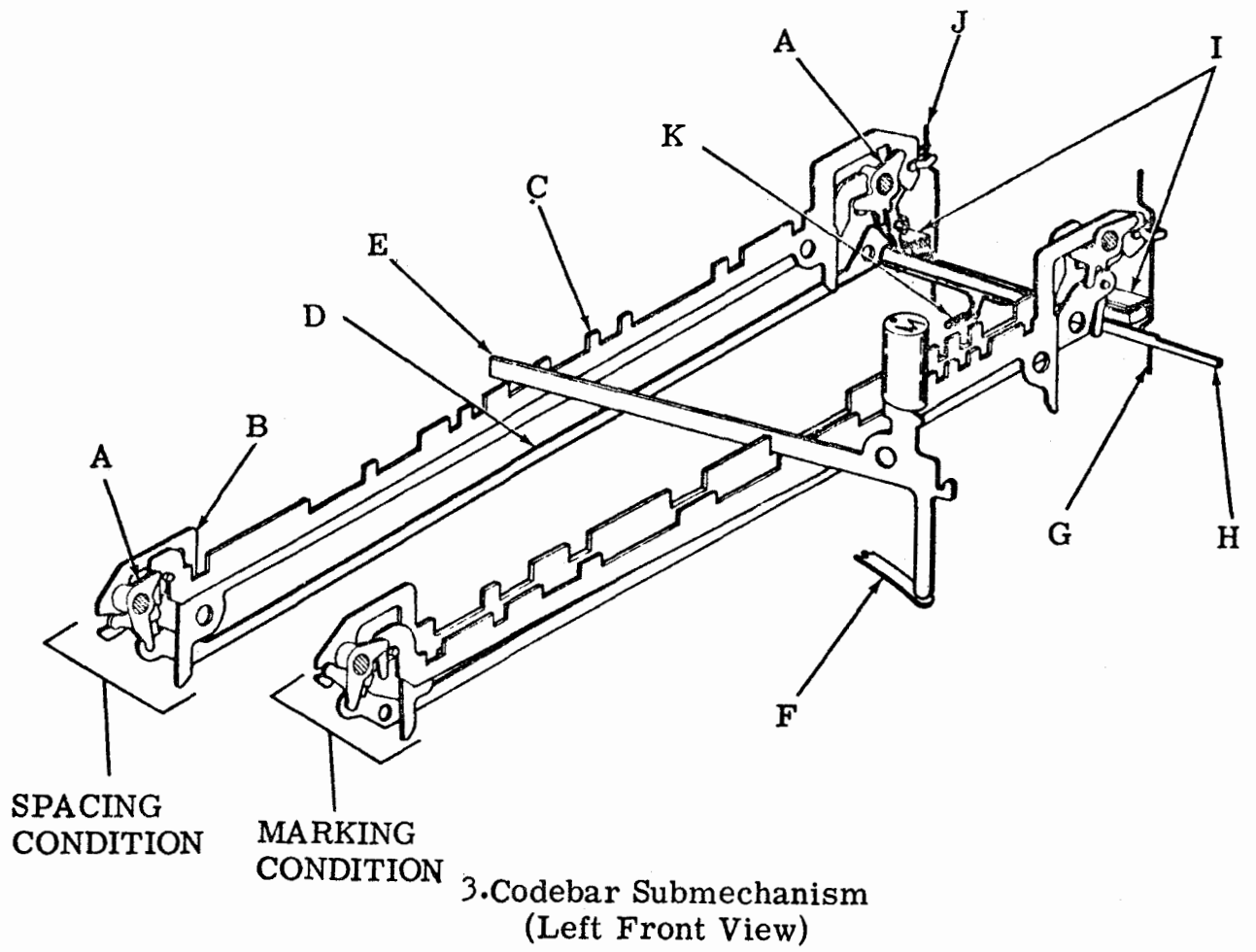
<u>No.</u>	<u>Title</u>	<u>Page</u>
57.	Carriage Return Function Mechanism.....	43
58.	Carriage Return Mechanism.....	43
59.	Letters-Figures Function Slide, Letters Position.....	44
60.	Letters-Figures Function Slide, Figures Position.....	44
61.	Letters-Figures Shift Mechanism, Letters Position.....	44
62.	Clutch Control.....	45
63.	Signal Bell Contact Mechanism, Selected.....	45
64.	Signal Bell Contact Mechanism, Unselected.....	45
65.	Automatic Carriage Return Line Feed.....	46
66.	Automatic Line Feed On Carriage Return Function.....	47
67.	Automatic Line Feed On Carriage Return Function Levers and Latches.....	48

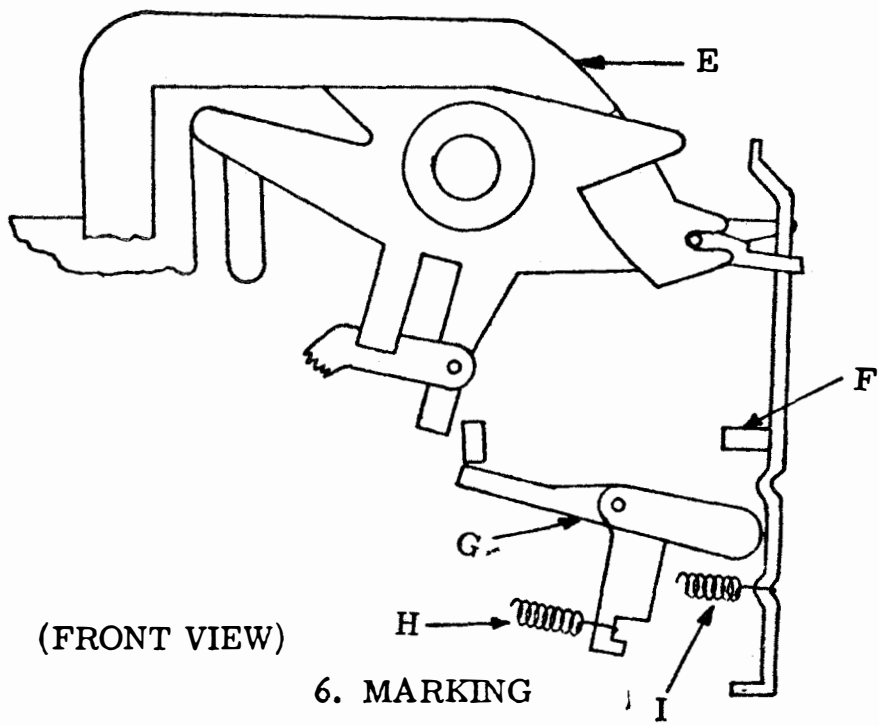
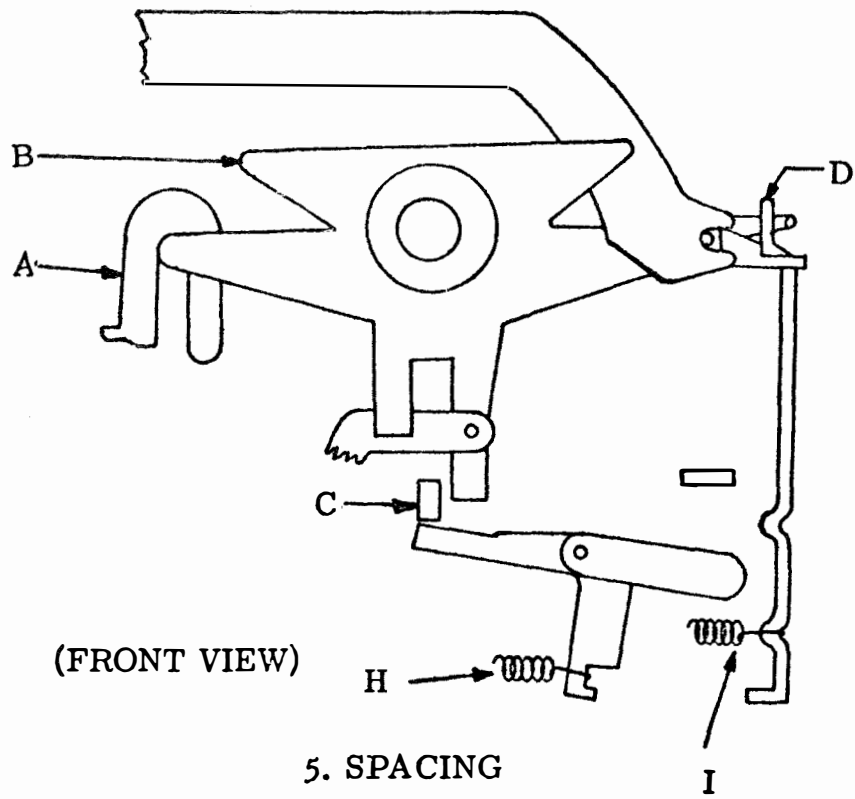


1. One-Stop Clutch (Disengaged)

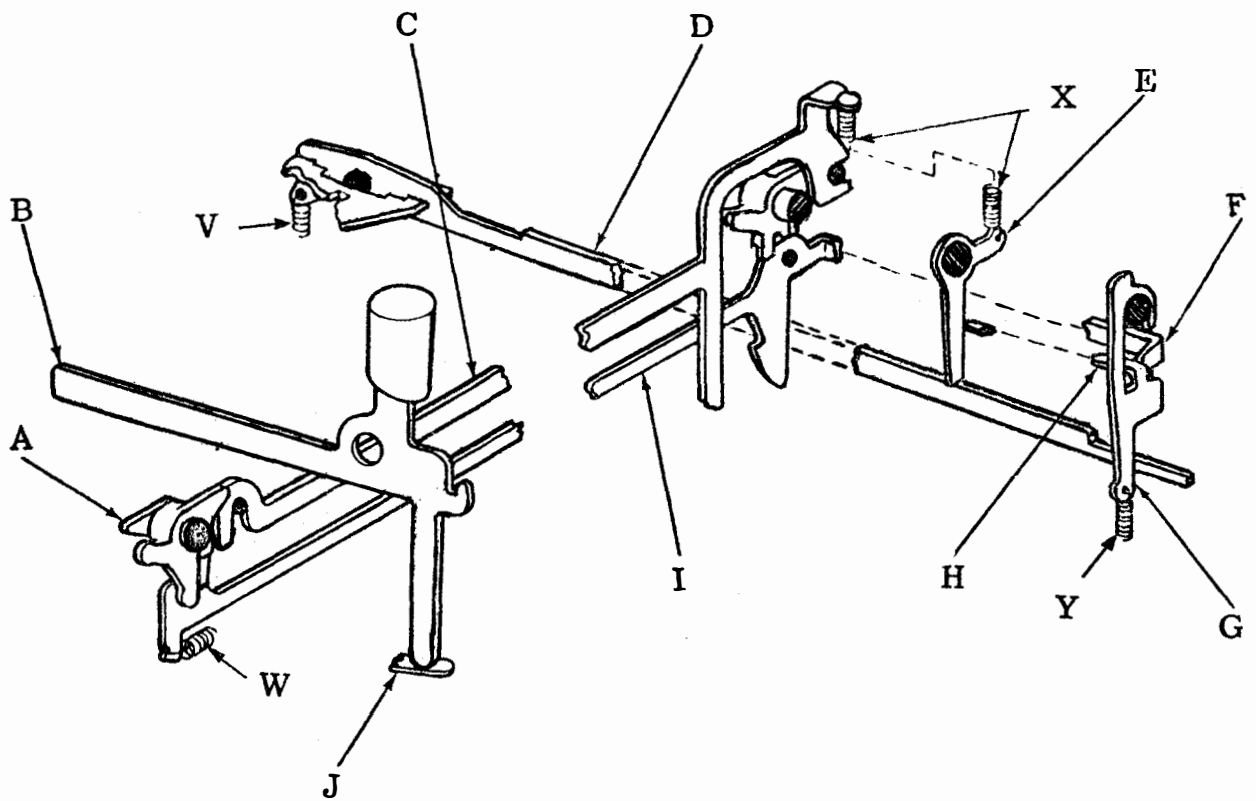


2. One-Stop Clutch (Engaged)

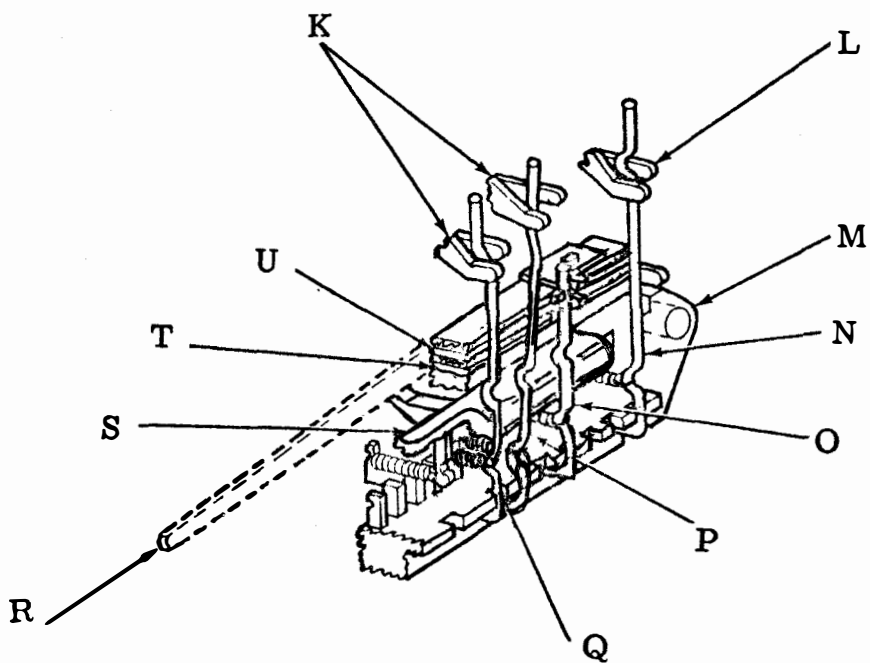




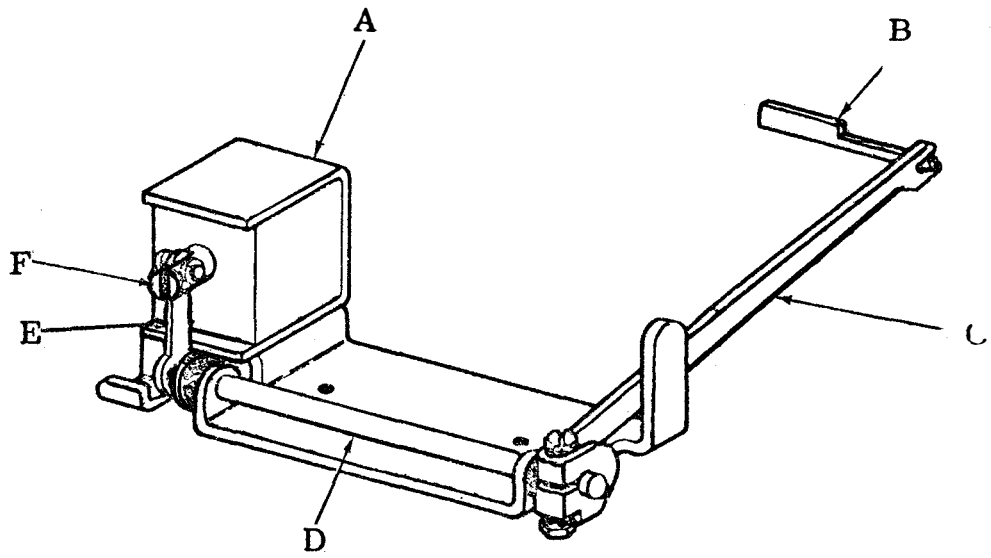
OPERATION OF T-LEVER



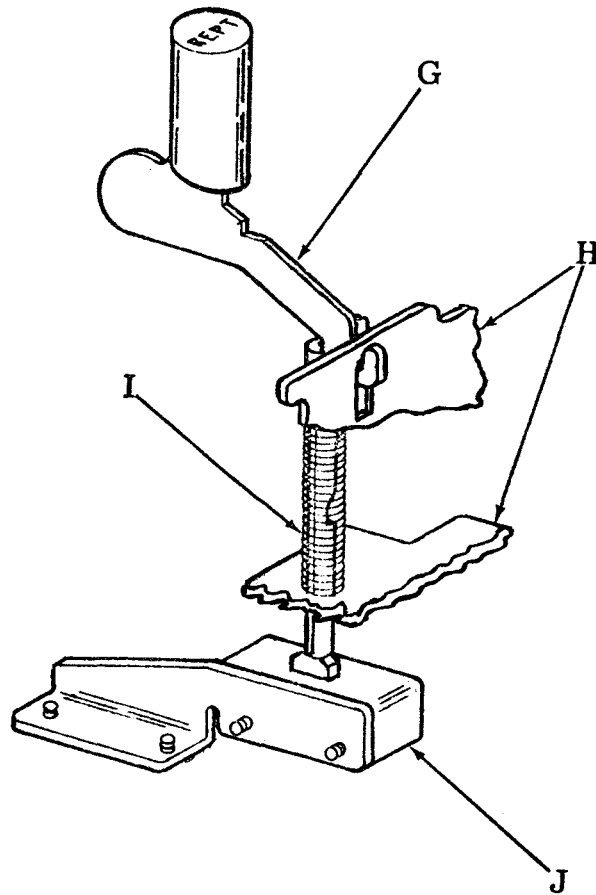
7. Universal Mechanism  
(Left Front View)



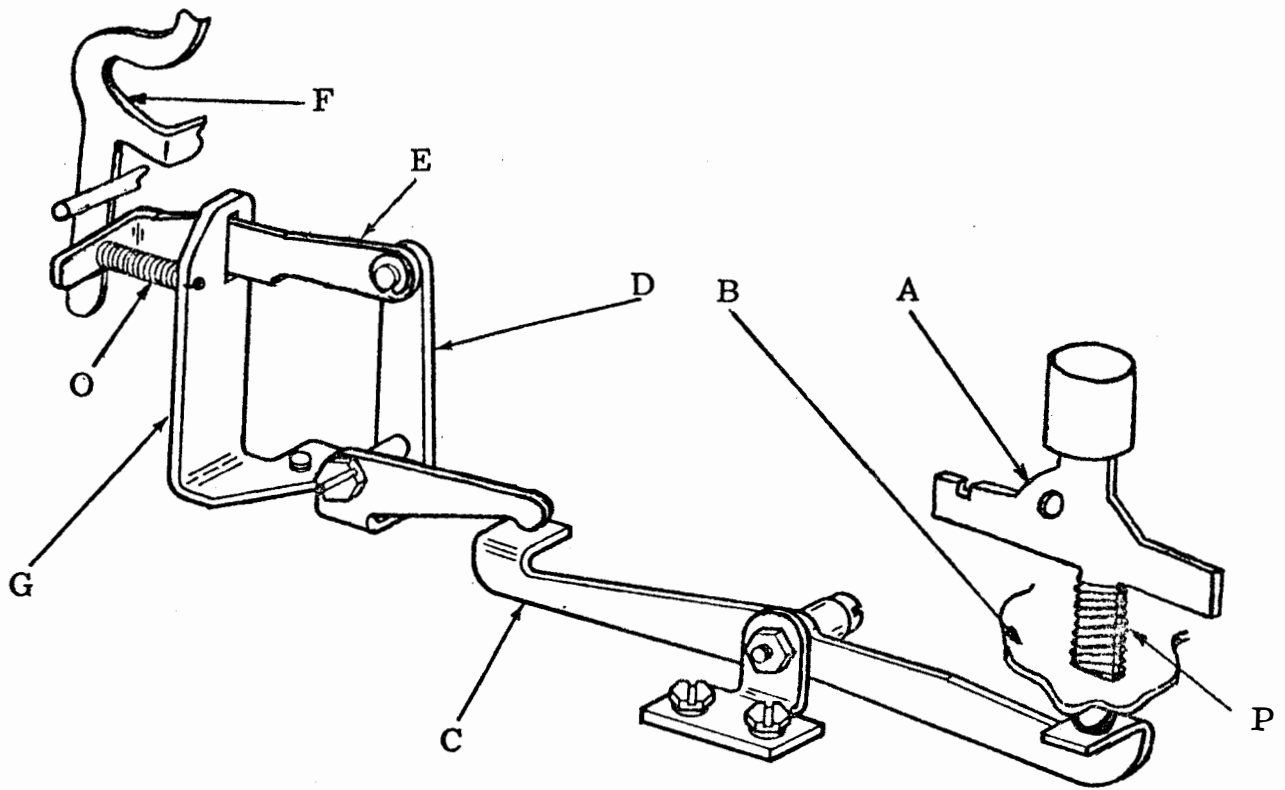
8. Contact Mechanism (Right Front View)



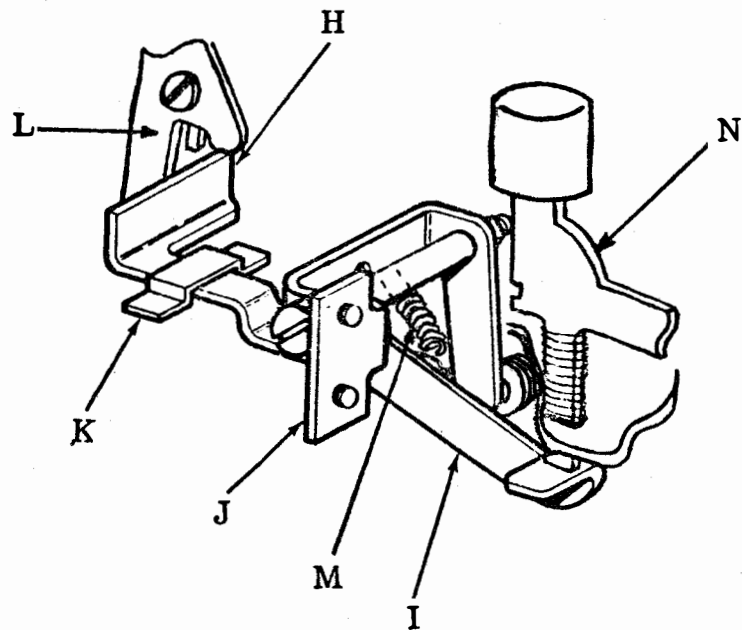
9. Reset Mechanism  
(Left Front View)



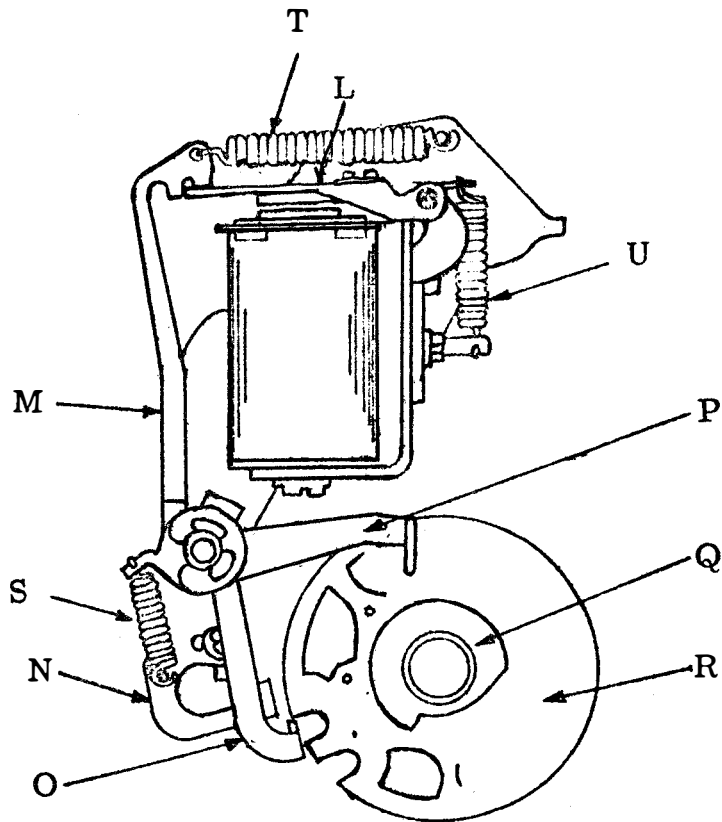
10. Repeat Mechanism  
(Left Front View)



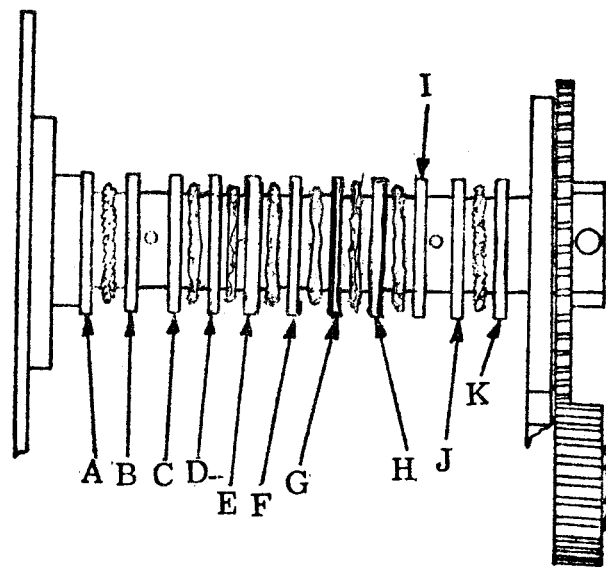
11. Local Line Feed Mechanism  
(Left View)



12. Local Carriage Return Mechanism  
(Left View)

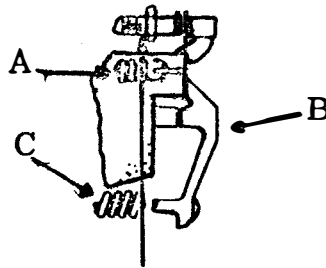


13. DISTRIBUTOR CLUTCH TRIP MECHANISM  
(RIGHT VIEW)

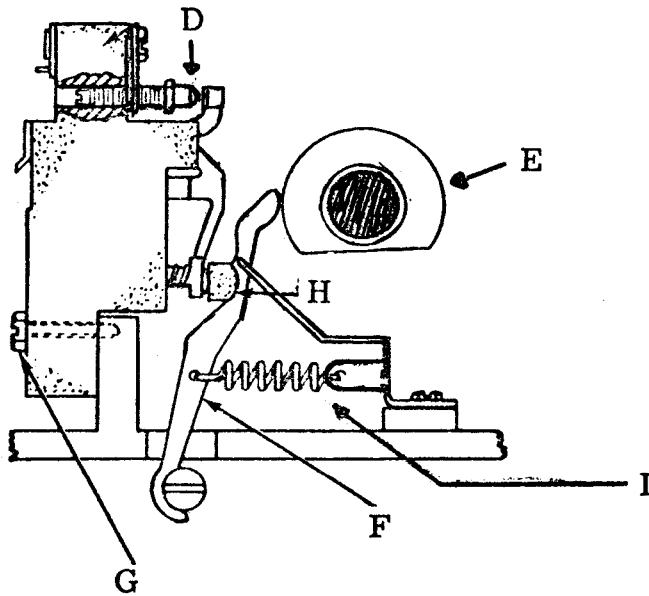


14. (FRONT VIEW) DISTRIBUTOR CAM SLEEVE

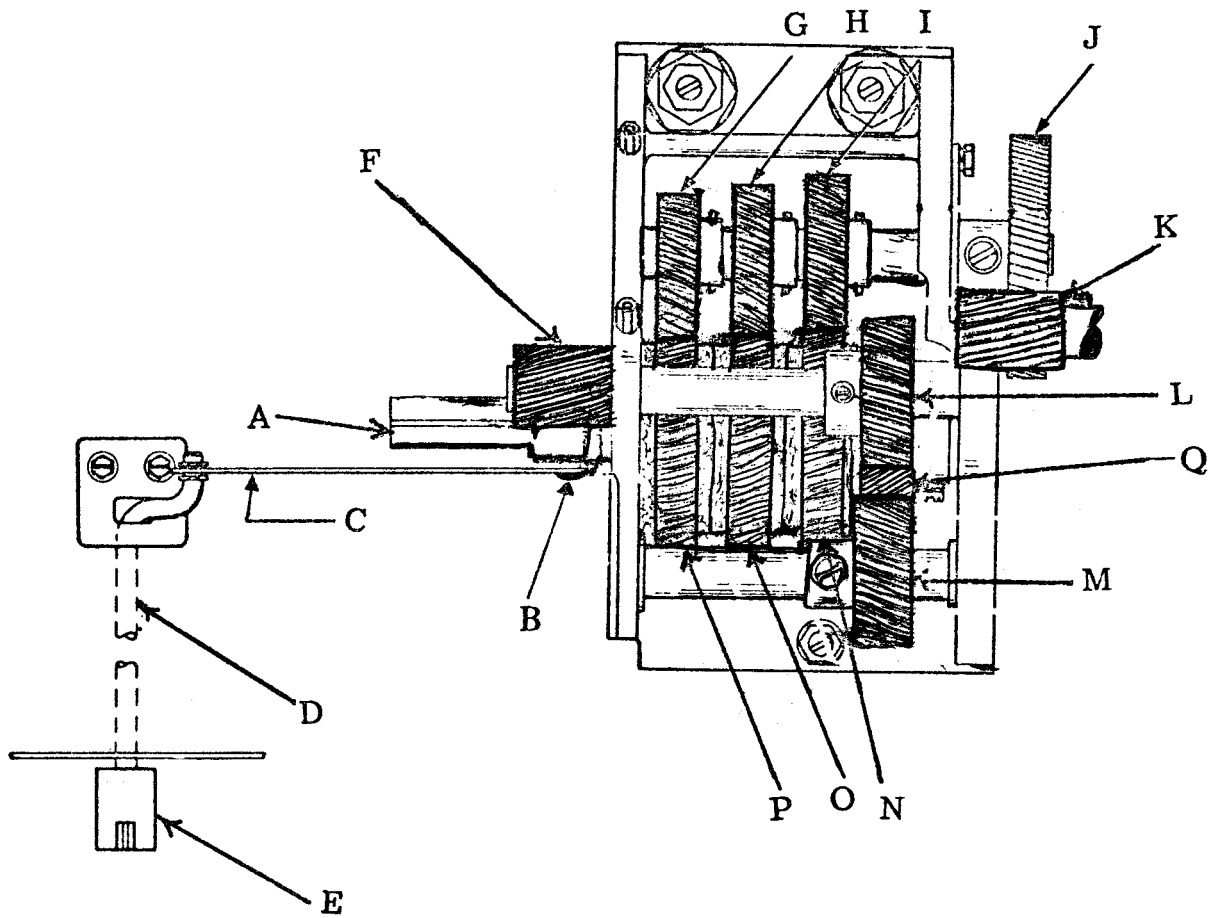




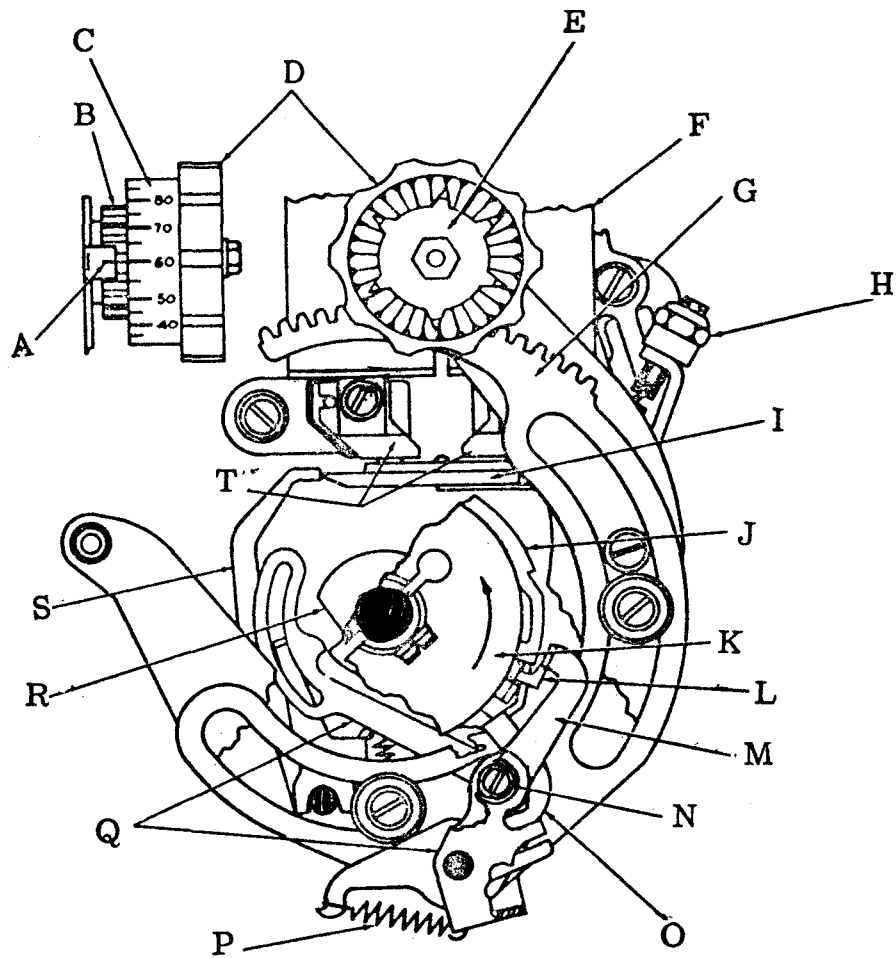
15. CONTACT SCREW  
(RIGHT SIDE VIEW)



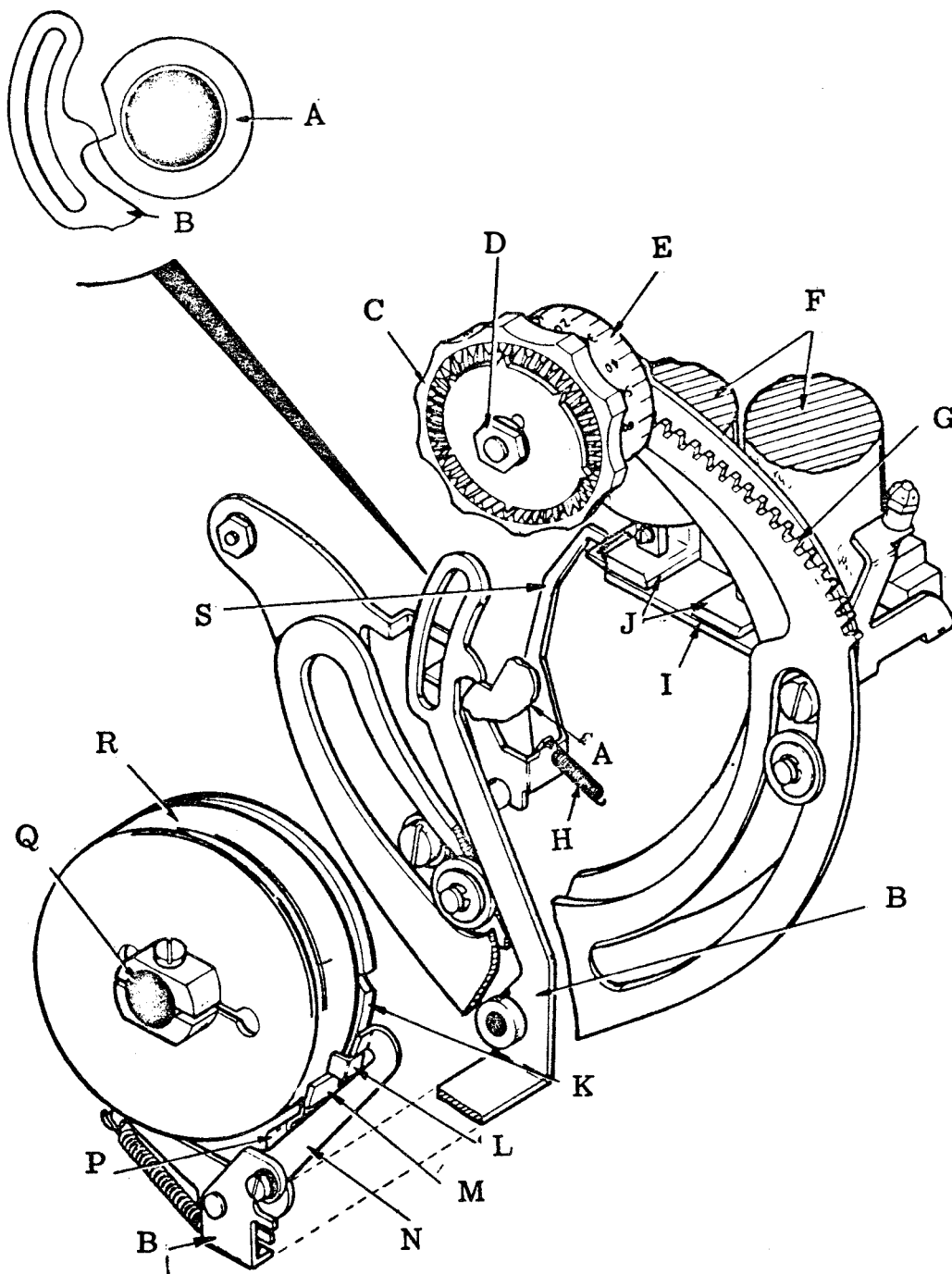
16. Distributor Mechanism  
(RIGHT SIDE VIEW)



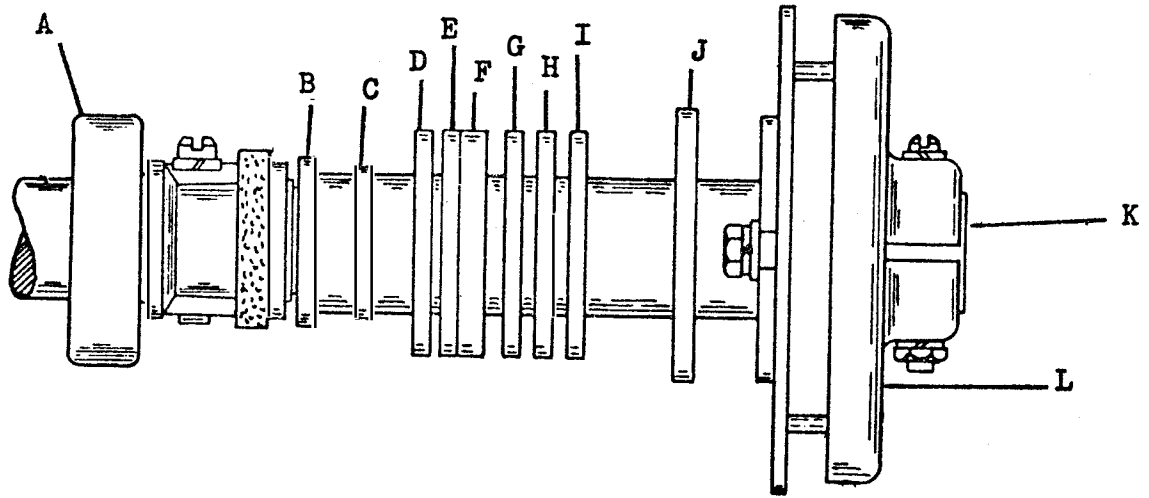
17. Three Speed Shift Mechanism  
(Top View)



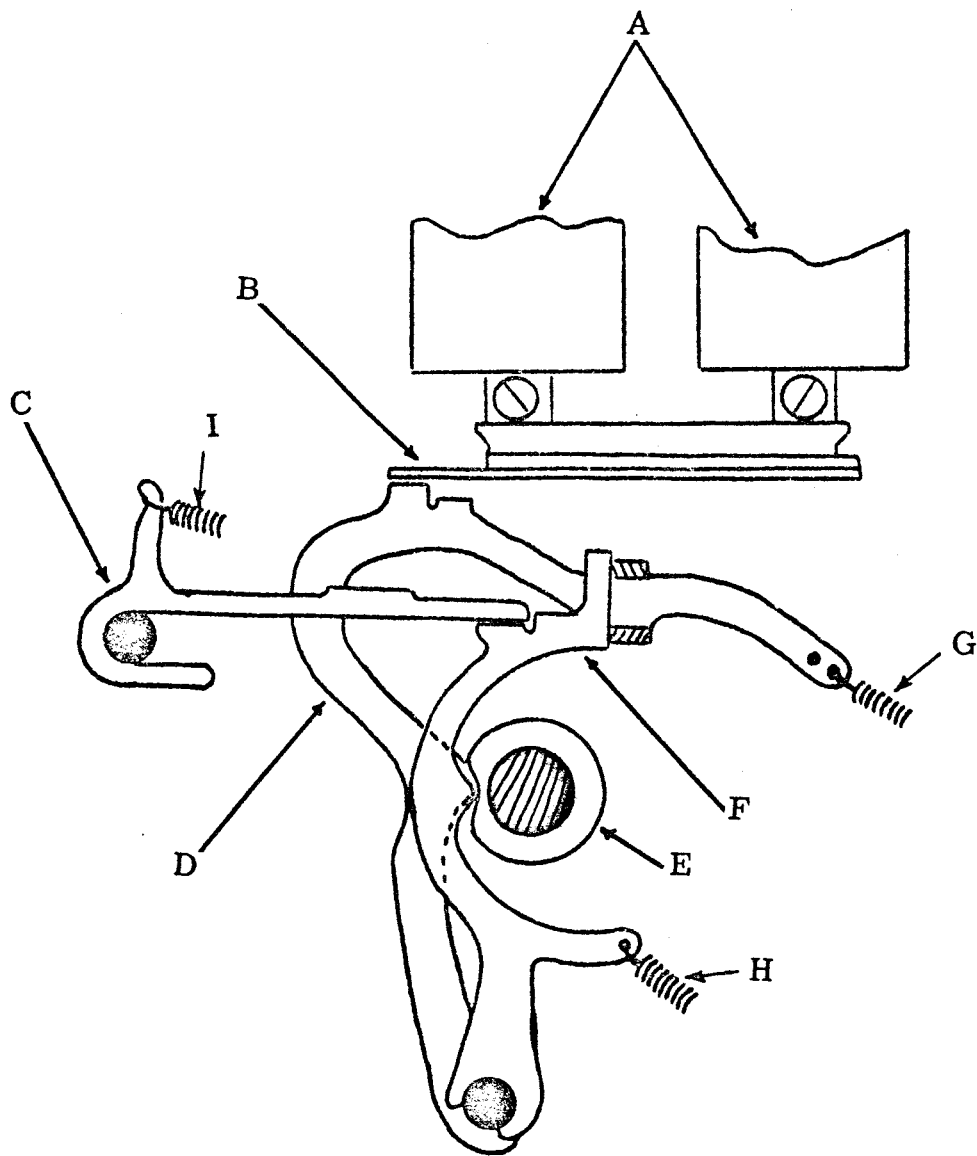
18. Selector Clutch Trip Mechanism  
(Right View)



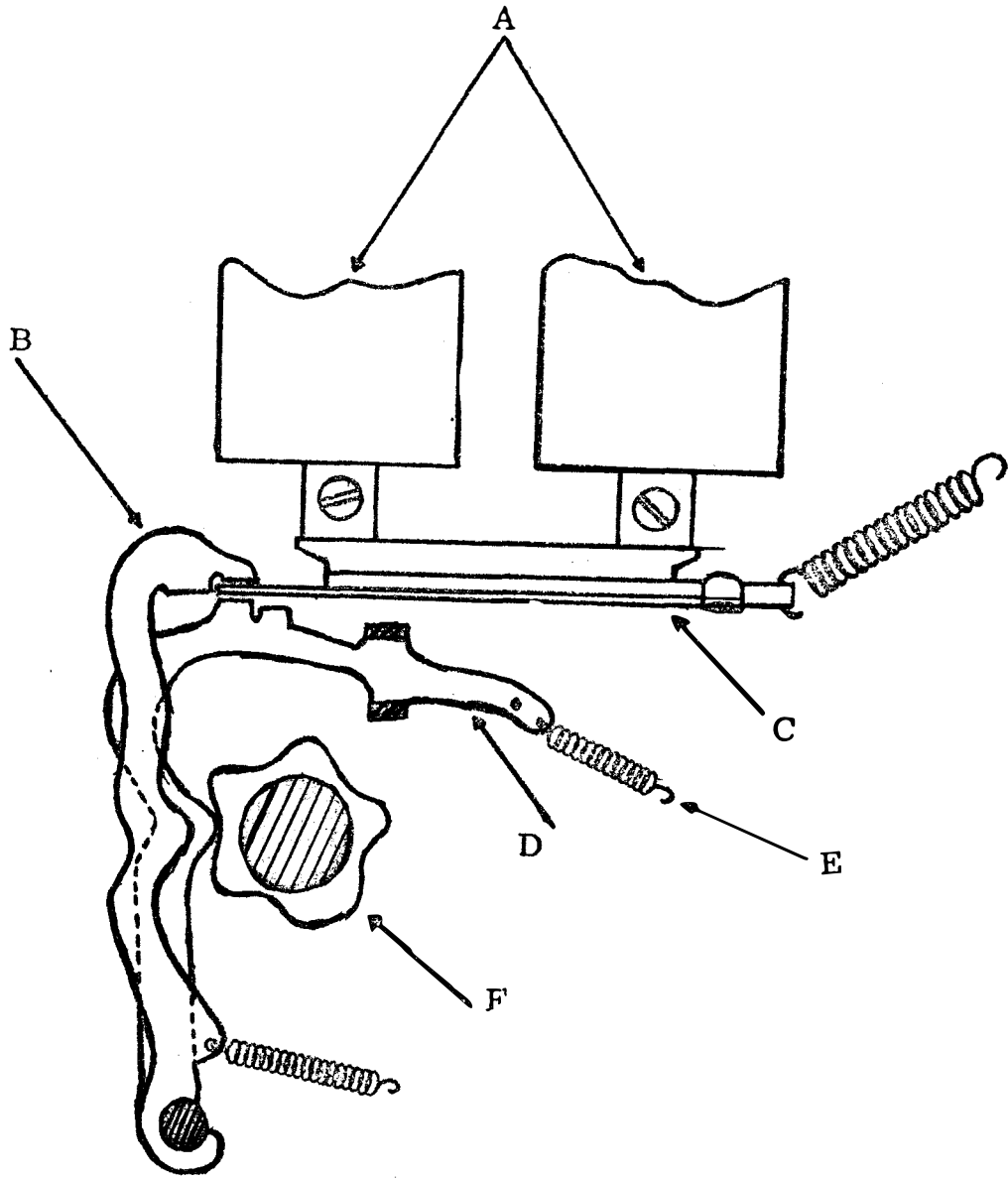
19. Selector Clutch and Range Finder  
(Right/Rear View)



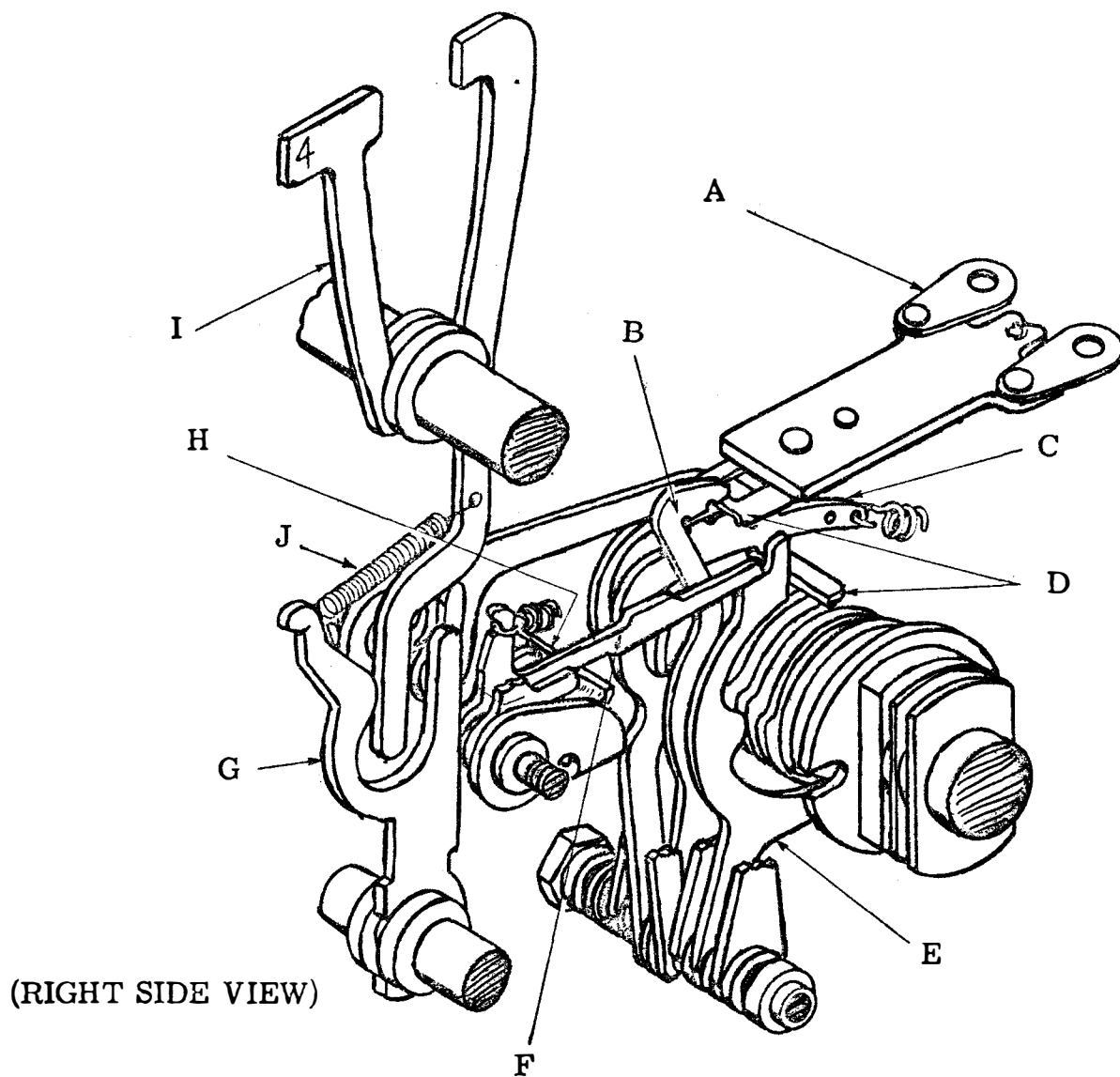
20. Selector Clutch Cam Sleeve Assembly  
(Front View)



21. SELECTING MECHANISM  
(RIGHT VIEW)

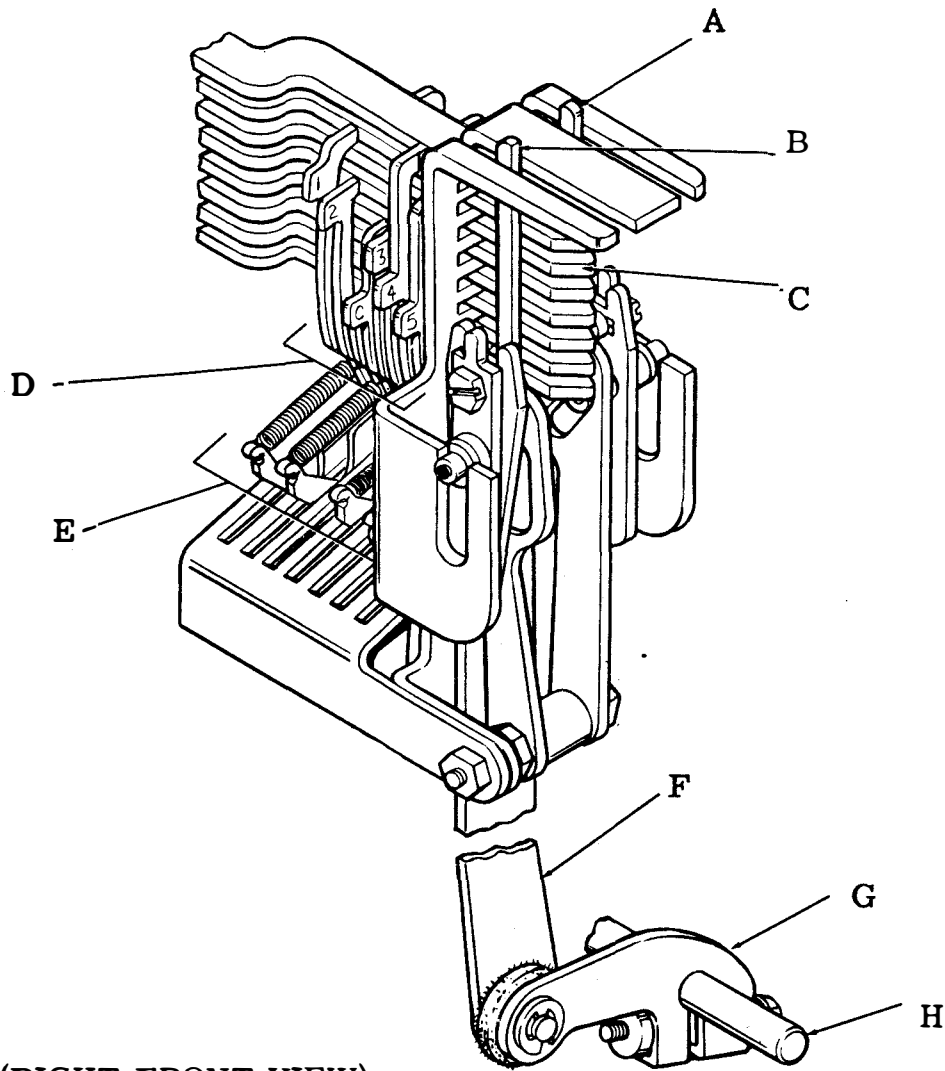


22. MARKING & SPACING LOCK LEVERS (RIGHT VIEW)  
(MARKING CONDITION)



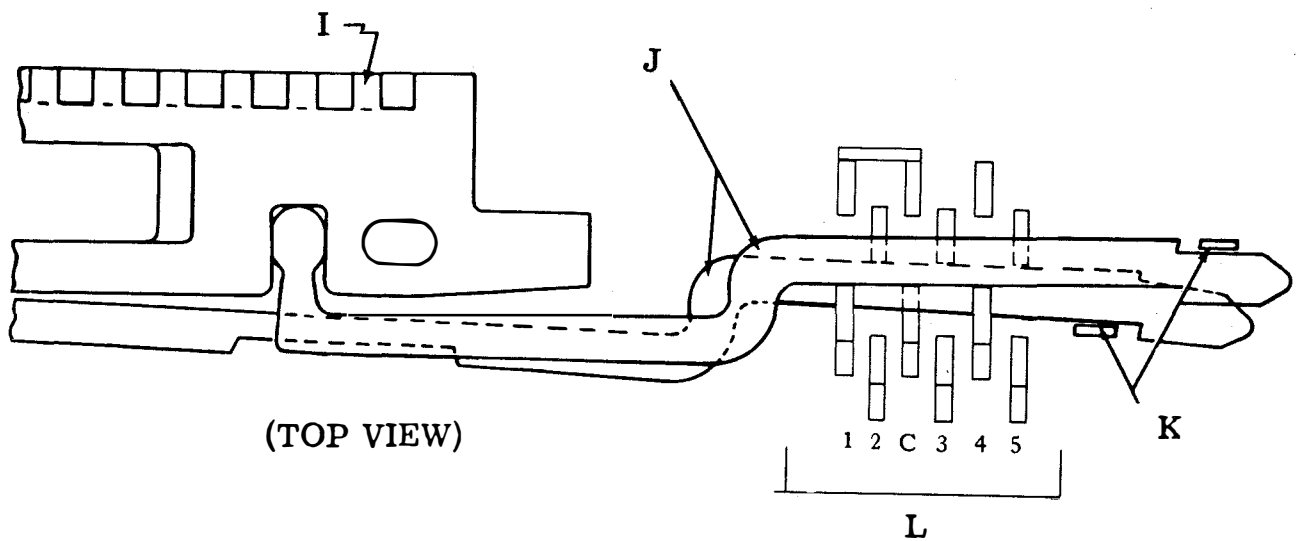
23. Selecting Mechanism and Transfer Mechanism





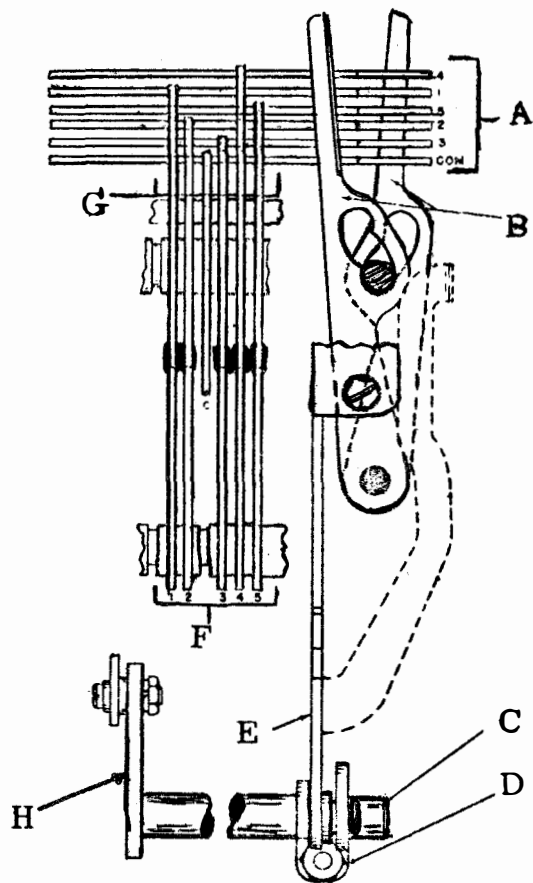
(RIGHT FRONT VIEW)

24. Code Bar Mechanism

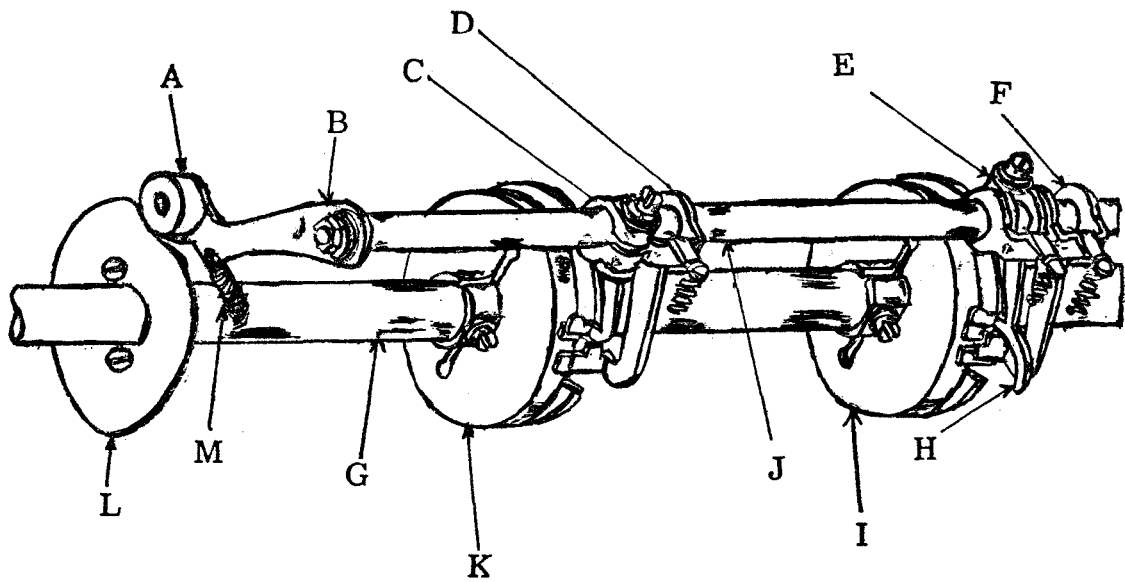


(TOP VIEW)

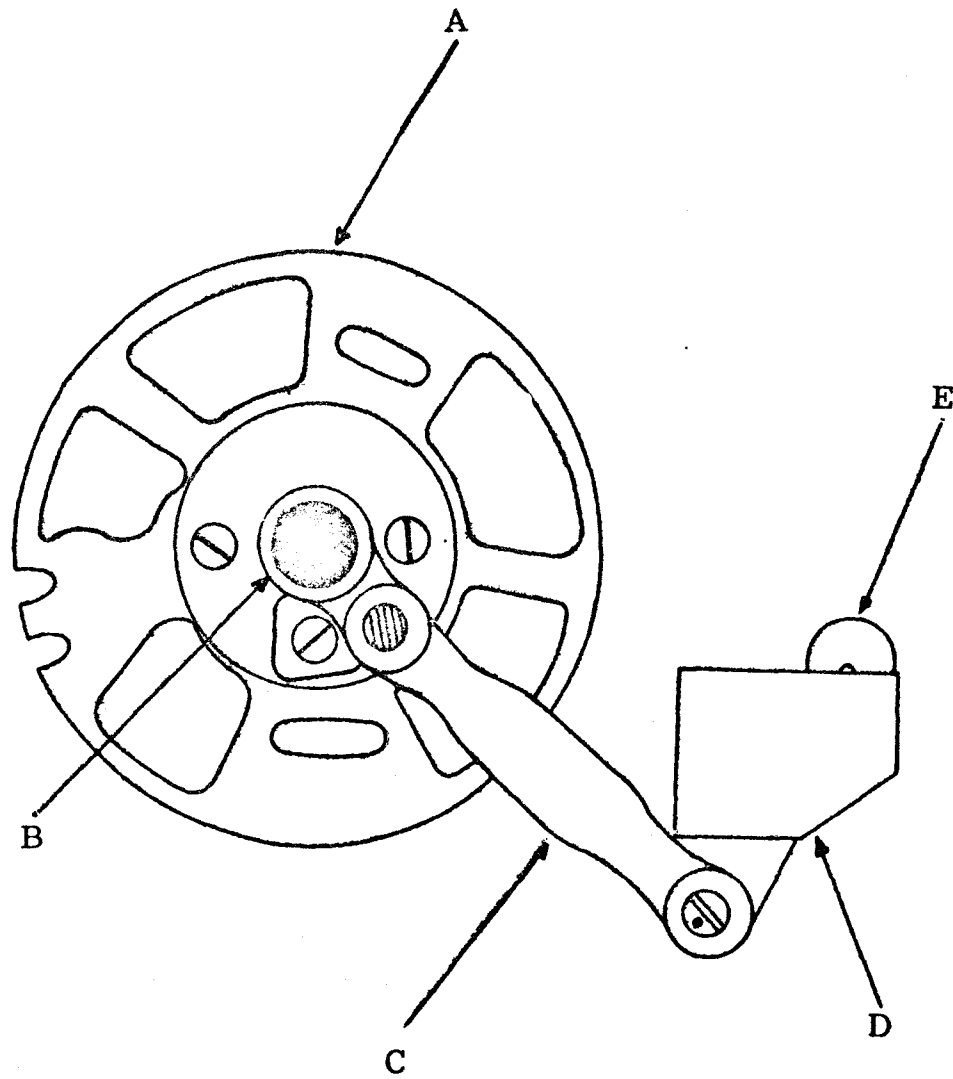
25. Code Bar Shift Bar Positioning



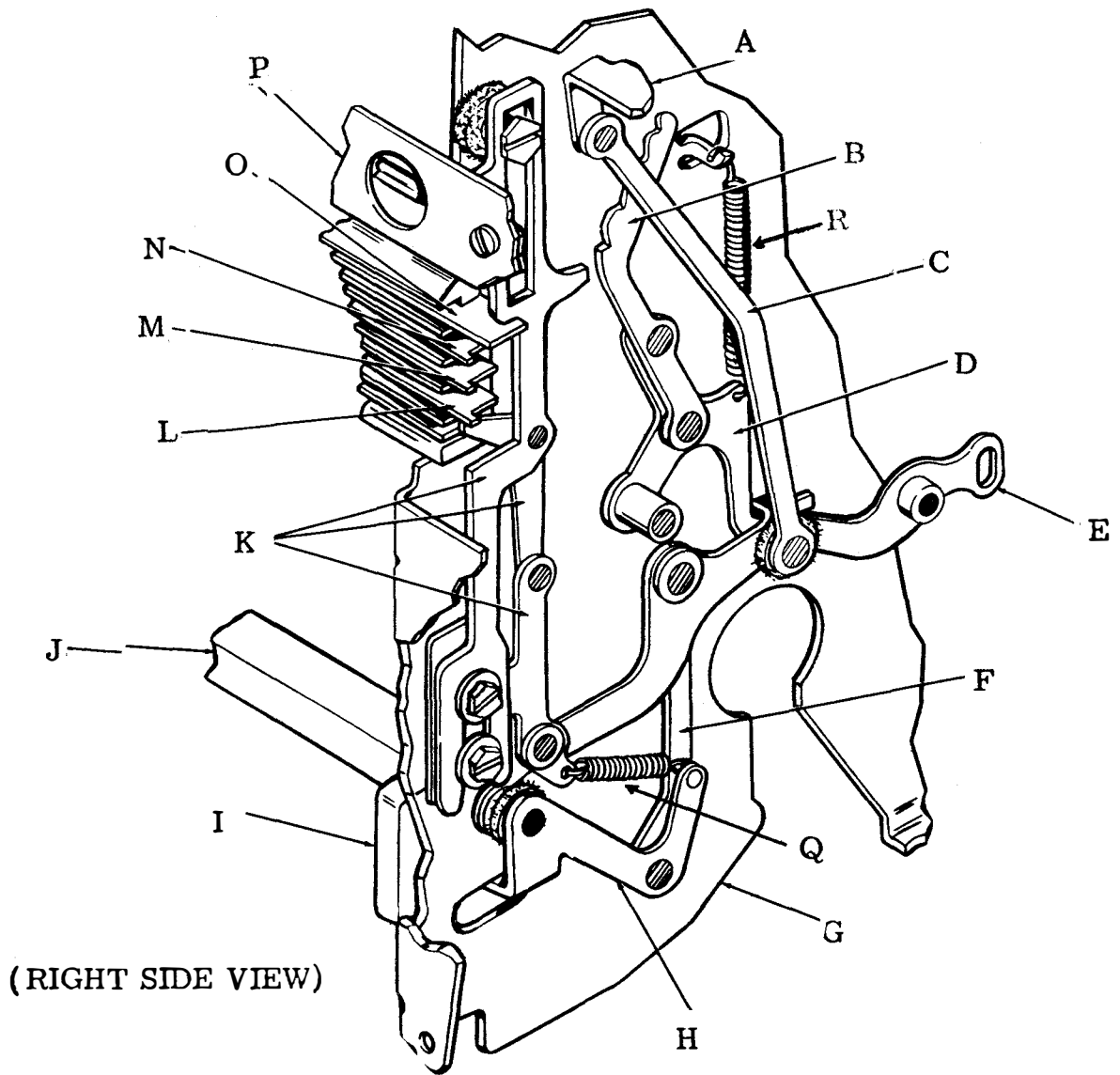
26. Code Bar Positioning Mechanism,  
Front View



27. Clutch Trip Mechanism  
(RIGHT - REAR VIEW)

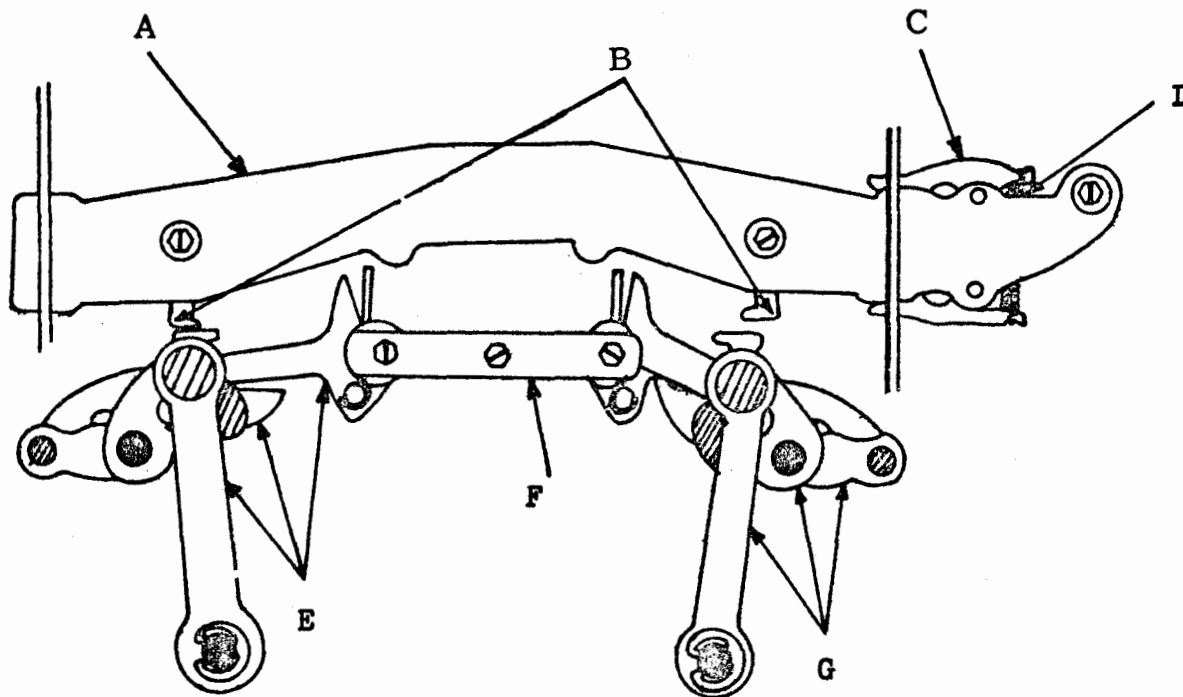


28. TYPE BOX CLUTCH DRIVE MECHANISM (LEFT VIEW)

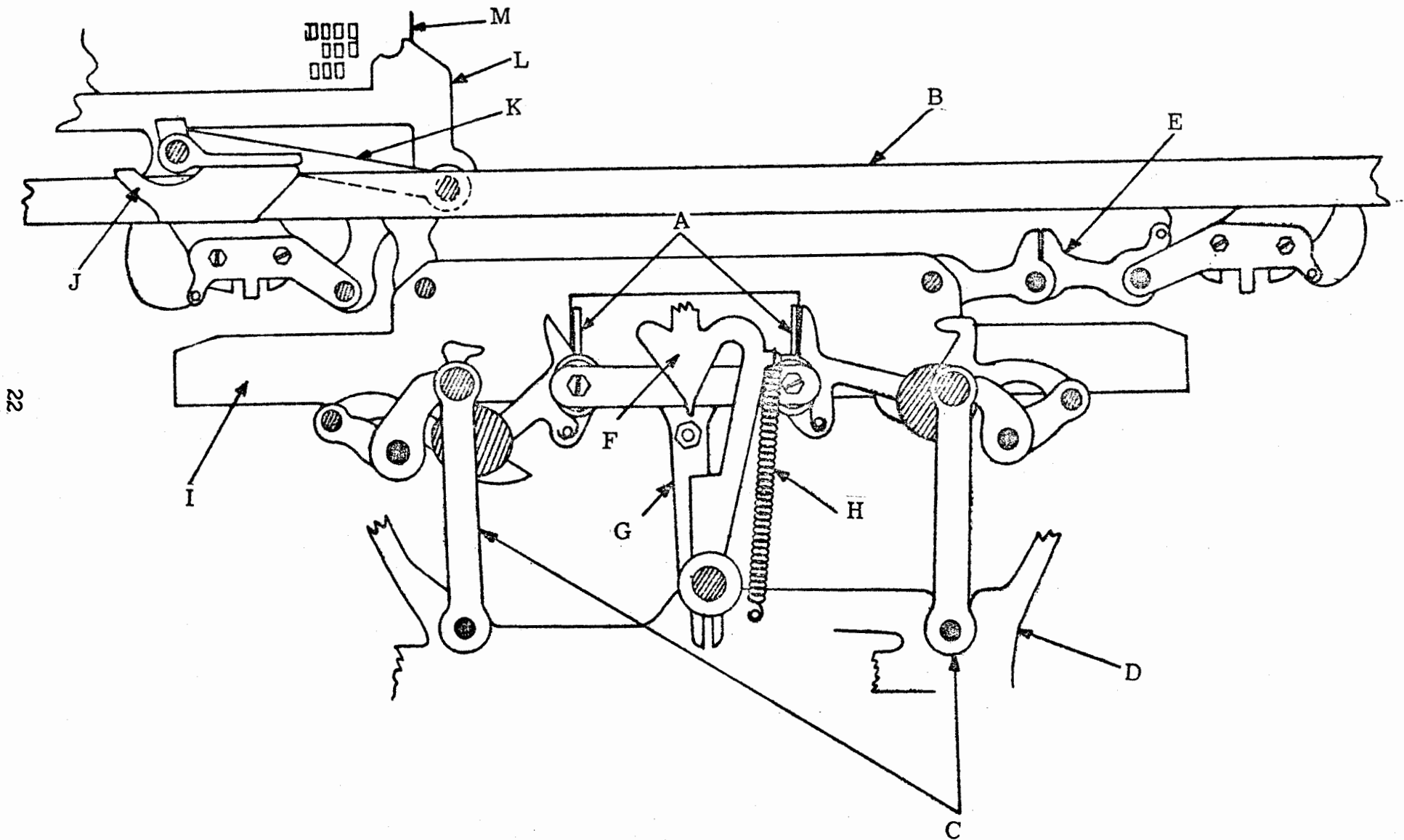


29. Vertical Positioning

Right Side Plate Mechanisms

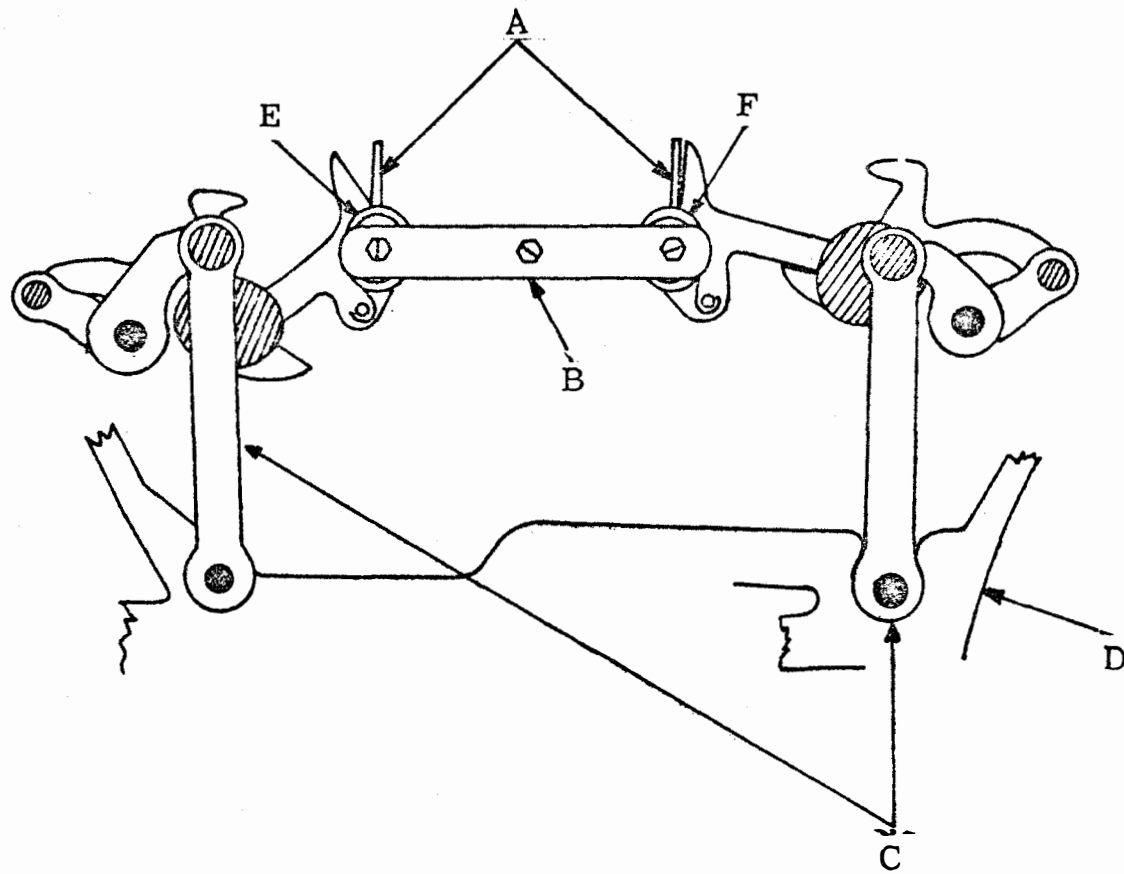


30. HORIZONTAL POSITIONING  
(INITIAL BUCKLING)



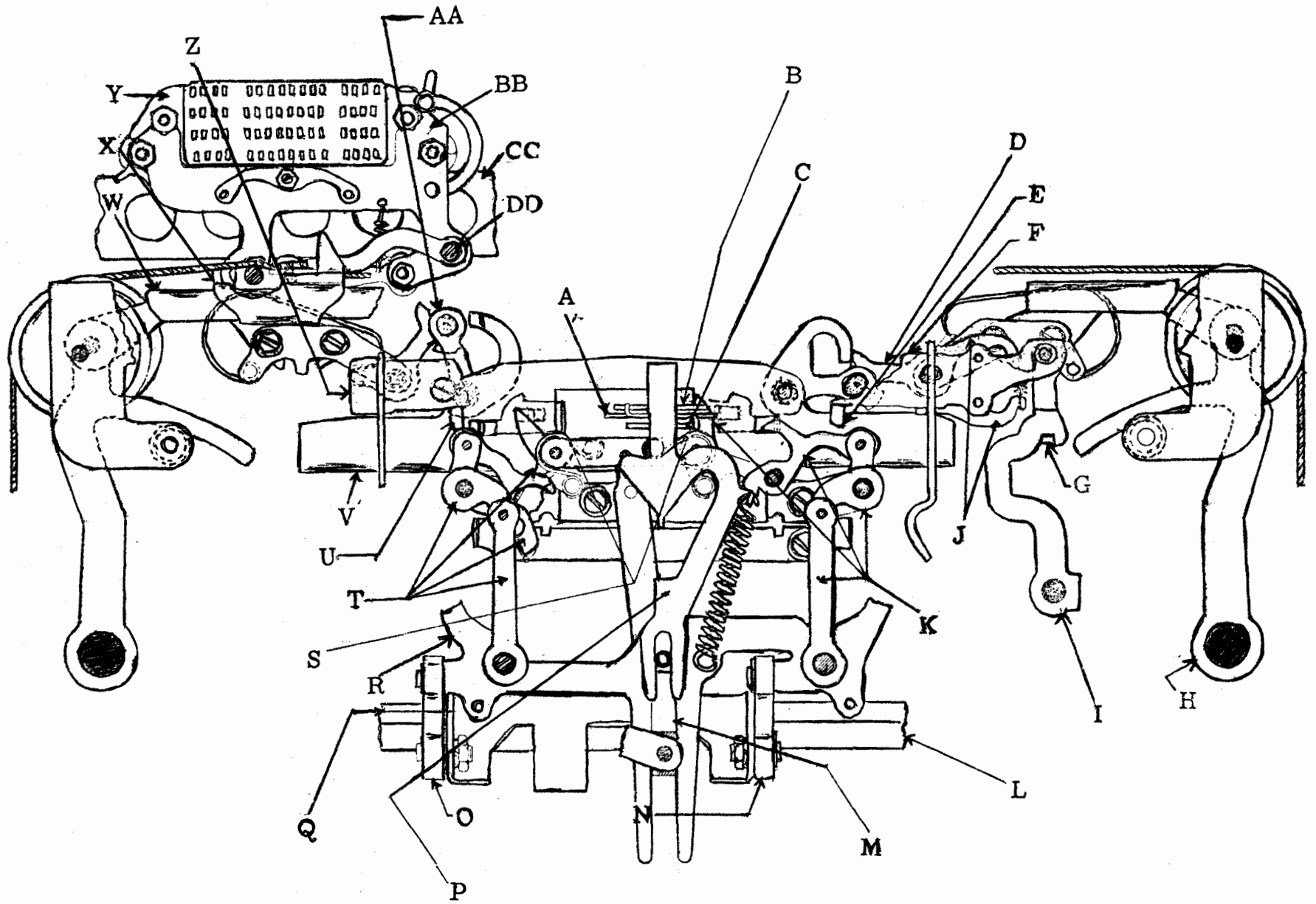
22

31. HORIZONTAL POSITIONING  
(FRONT VIEW)

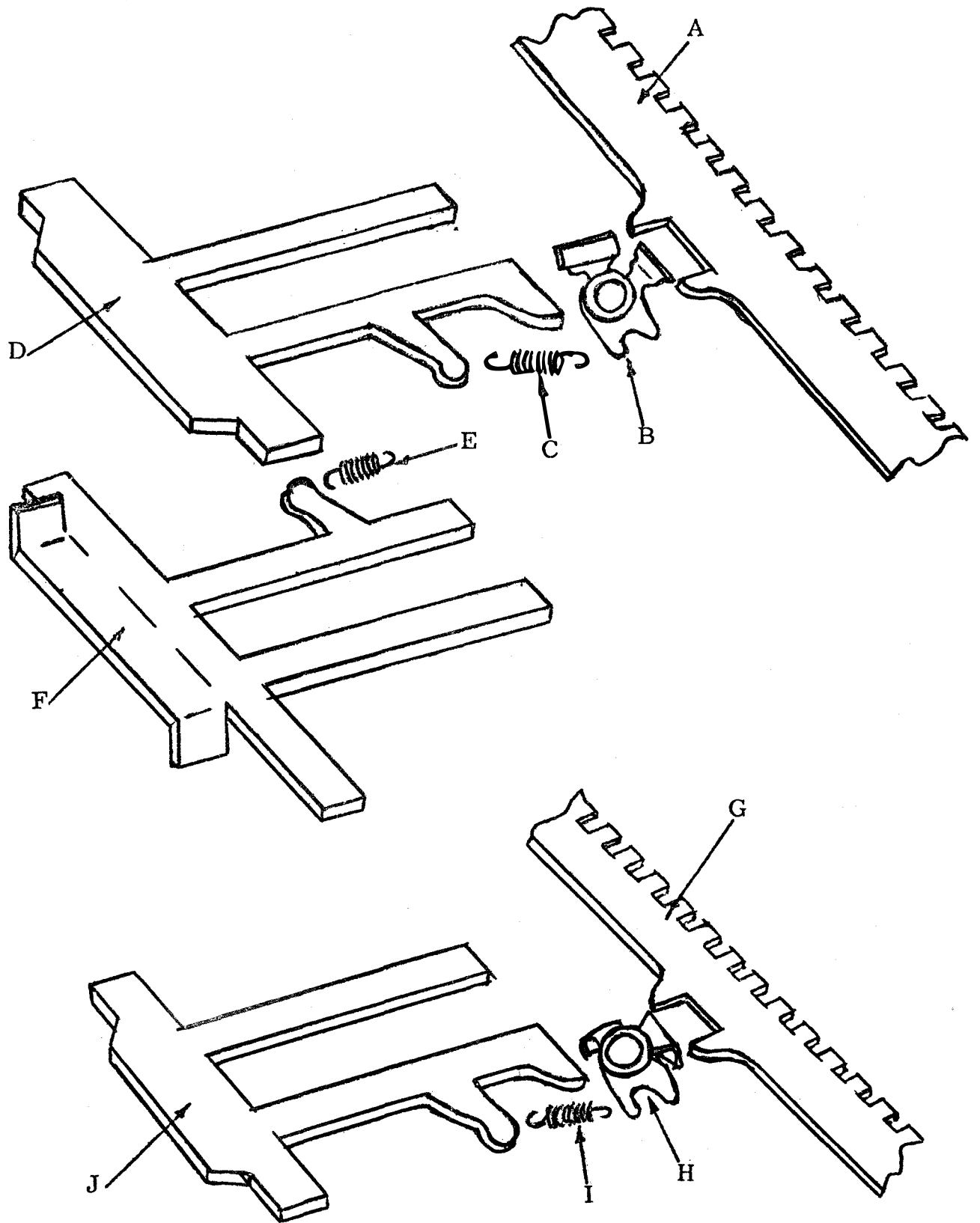


32. HORIZONTAL POSITIONING  
(PARTIAL BUCKLING)  
(FRONT VIEW)



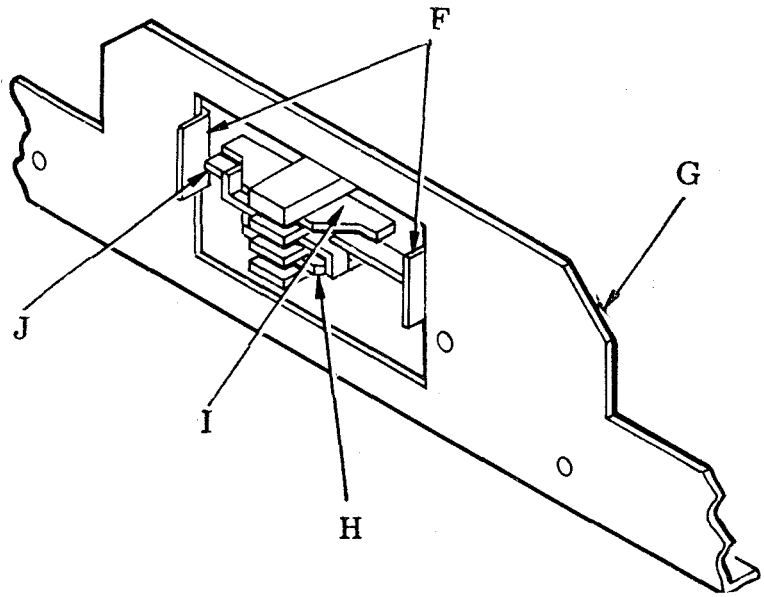
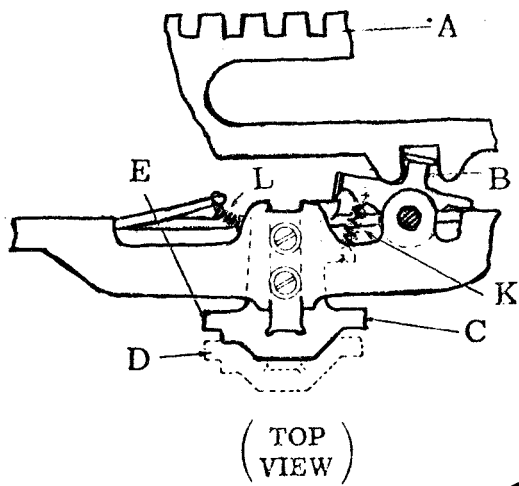


33. Front Plate Mechanism  
(FRONT VIEW)

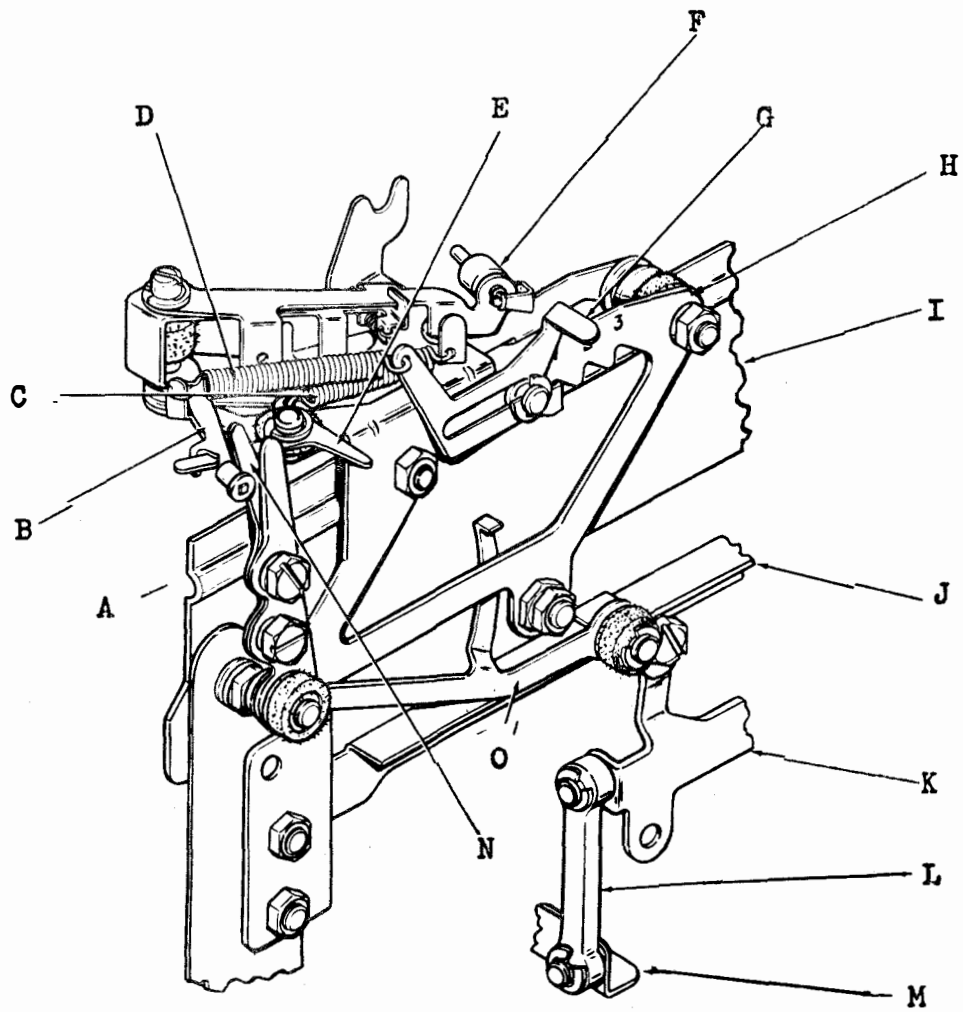


34. Horizontal Motion Stop Slides

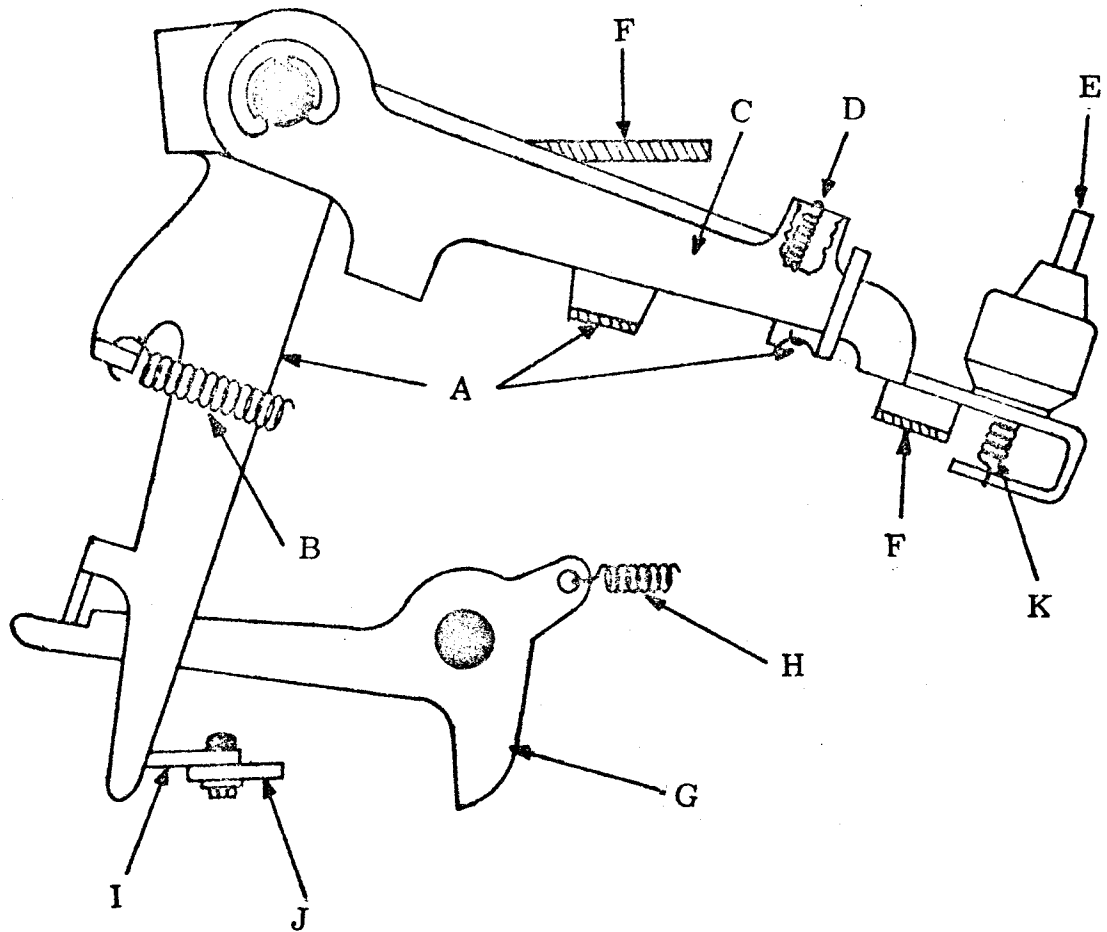
(FRONT VIEW)



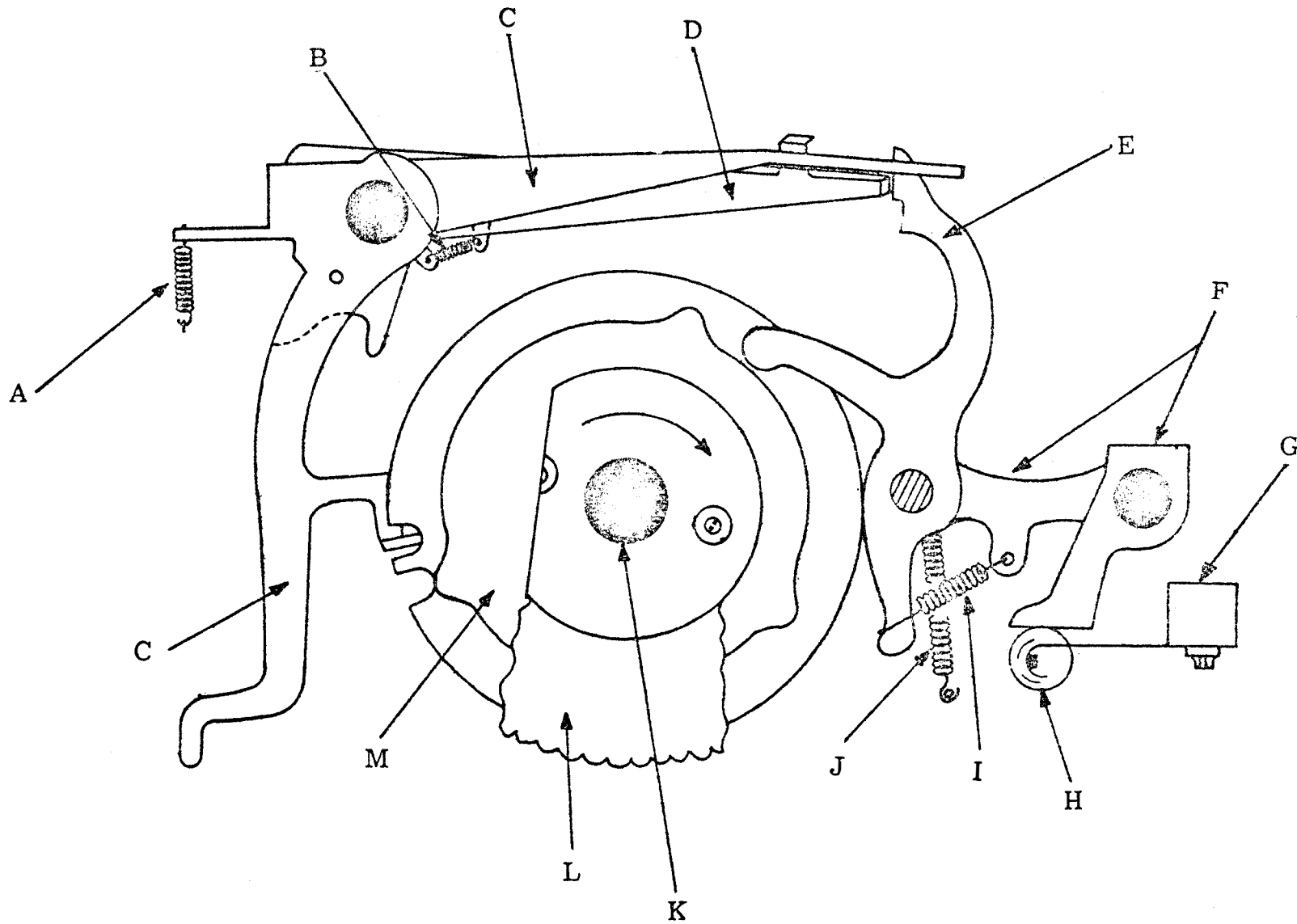
35. Horizontal Motion Stop Slides  
(RIGHT-FRONT VIEW)



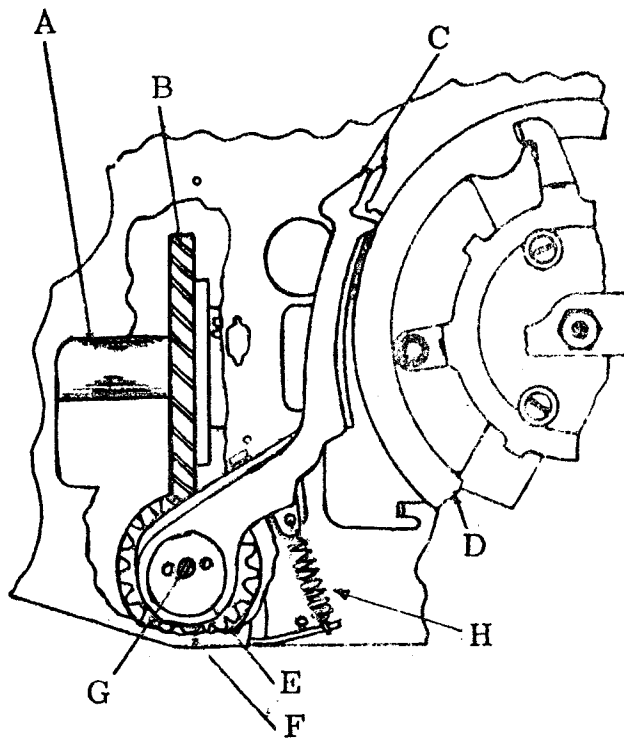
36. Print Hammer and Carriage  
(Left Front View)



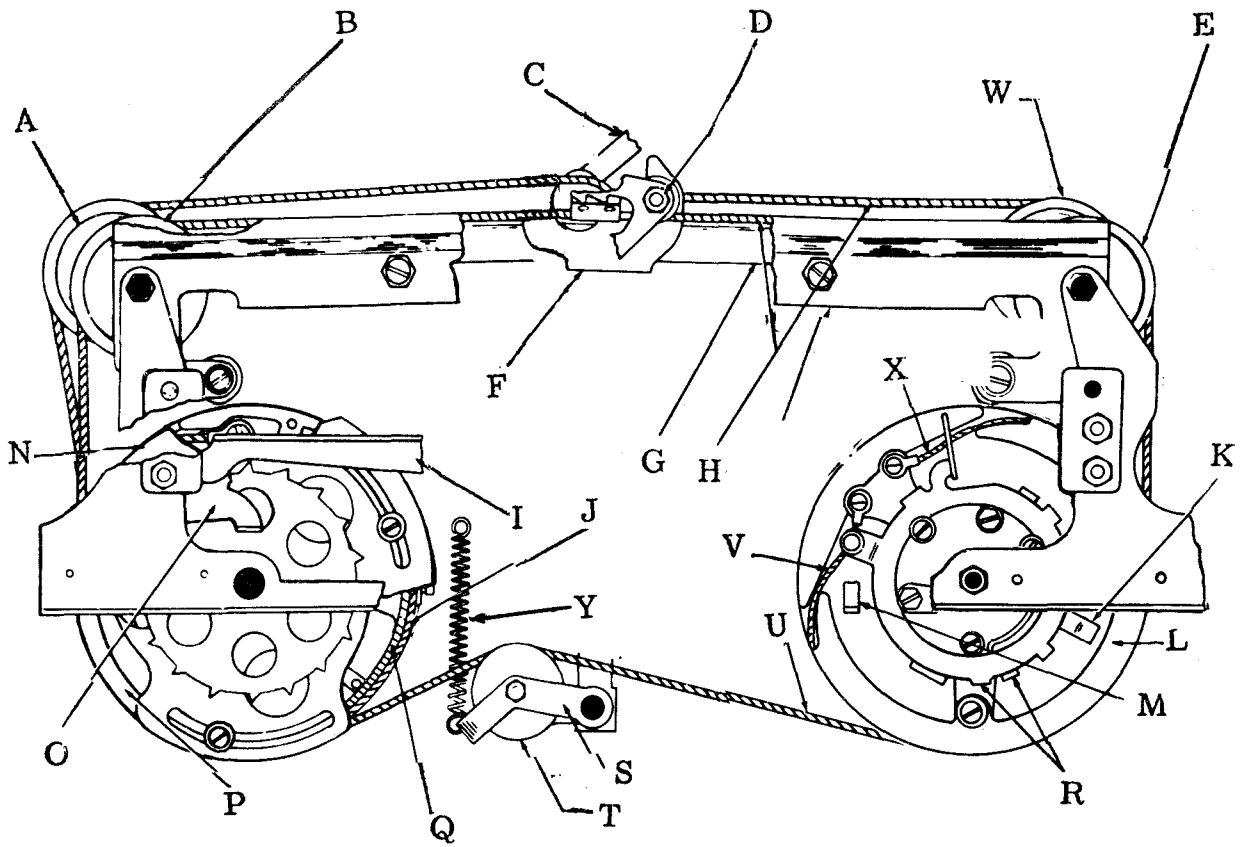
37. PRINTING MECHANISM  
(Top View)



38. SPACING TRIP MECHANISM  
(left view)

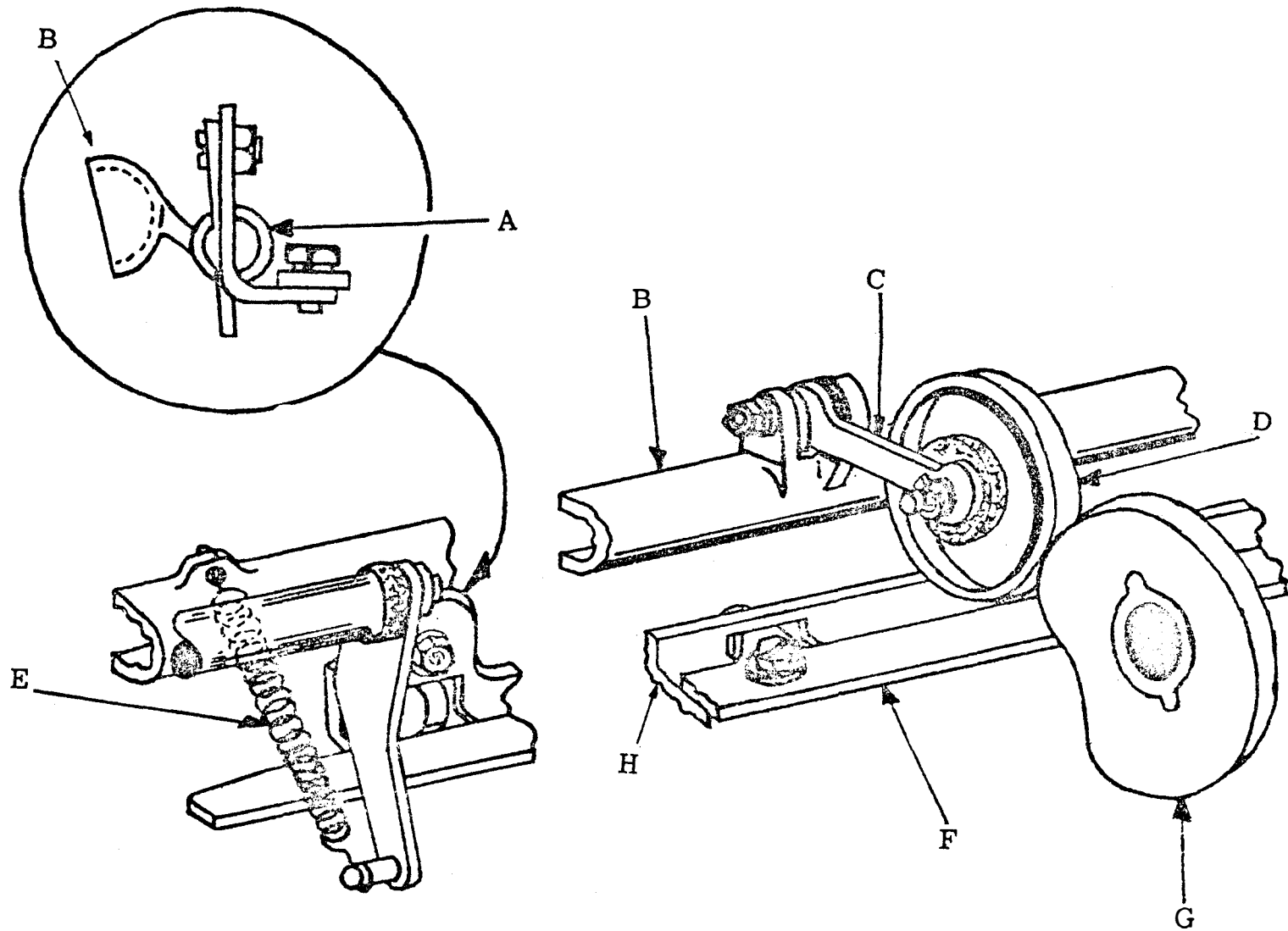


39. Spacing Drum Drive Mechanism  
(FRONT VIEW)

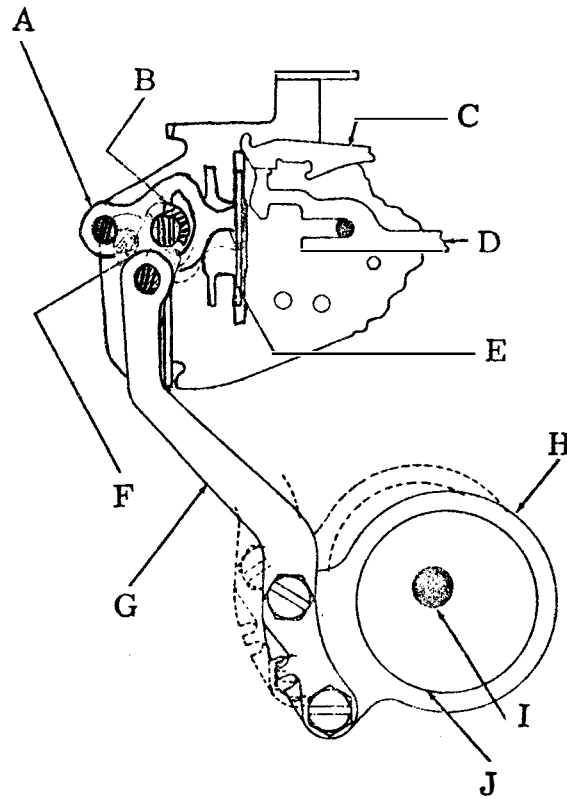


40. Draw Wire Rope and Drums

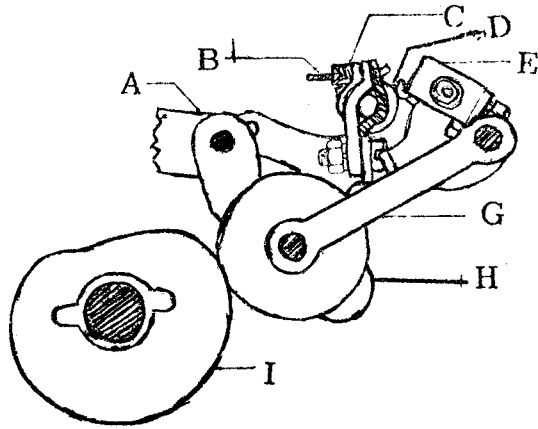




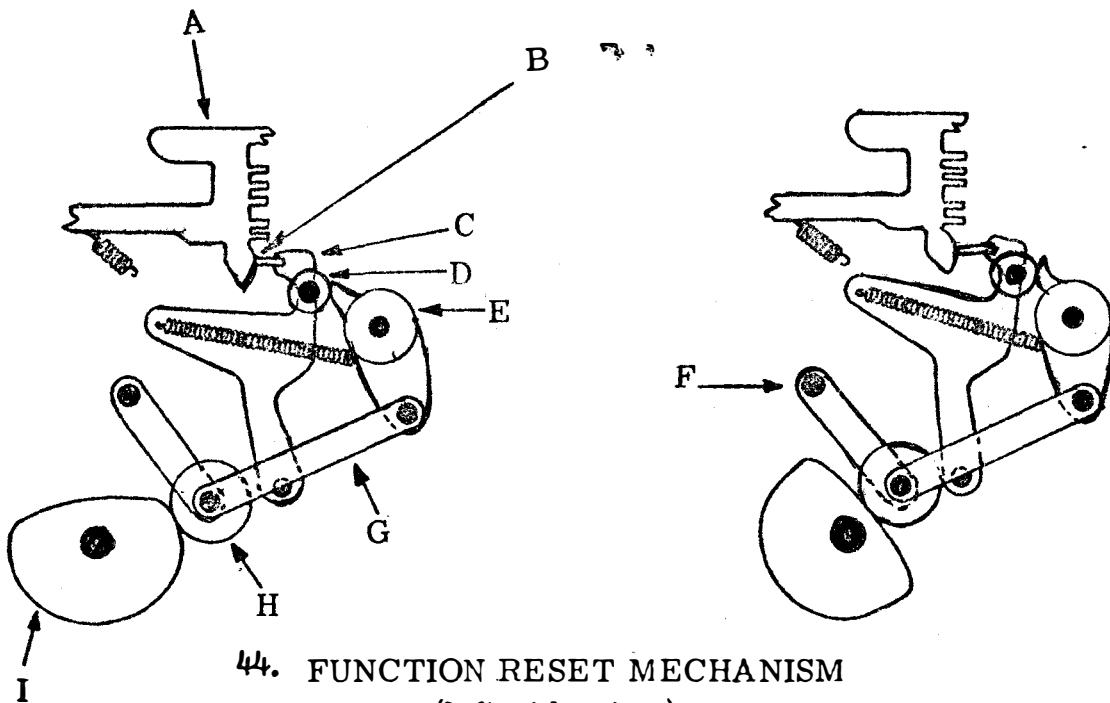
41. FUNCTION RESET BAIL MECHANISM (Rear View - Number 3 position)



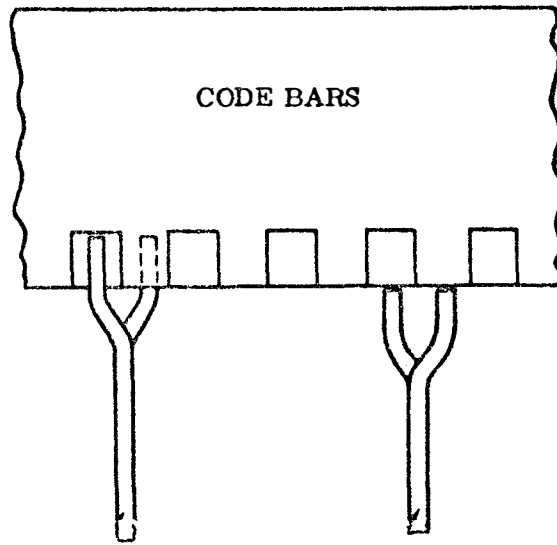
42. Stripper Blade Mechanism  
(Left View)



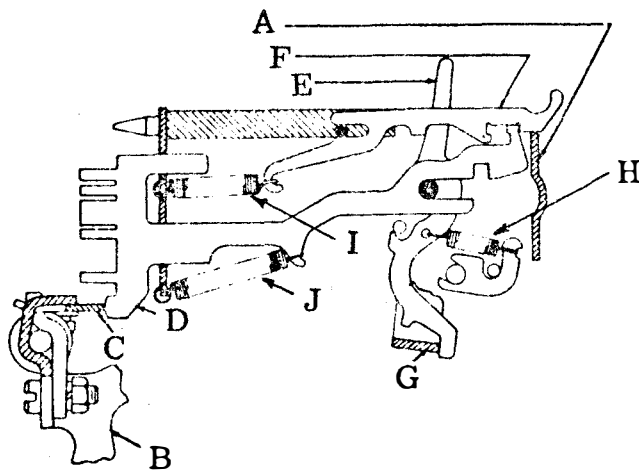
43. FUNCTION RESET BAIL MECHANISM



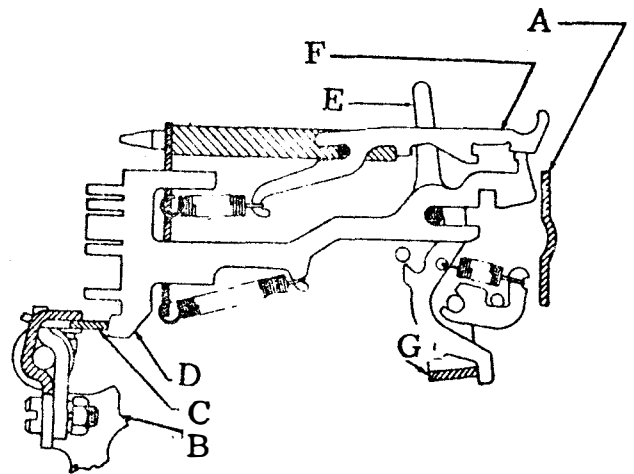
44. FUNCTION RESET MECHANISM  
(left side view)



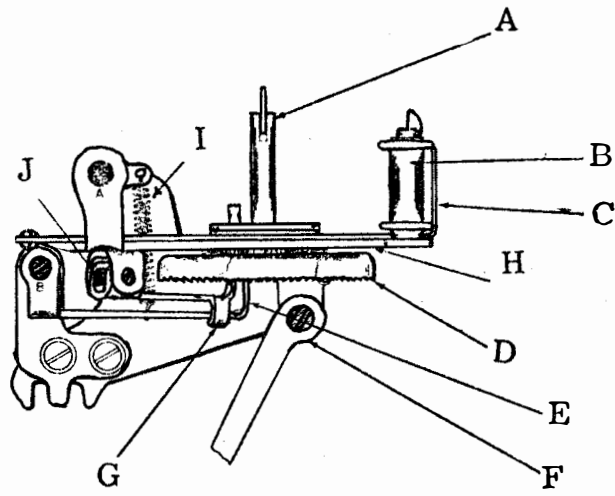
45. Function Bar Selection  
(Top View)



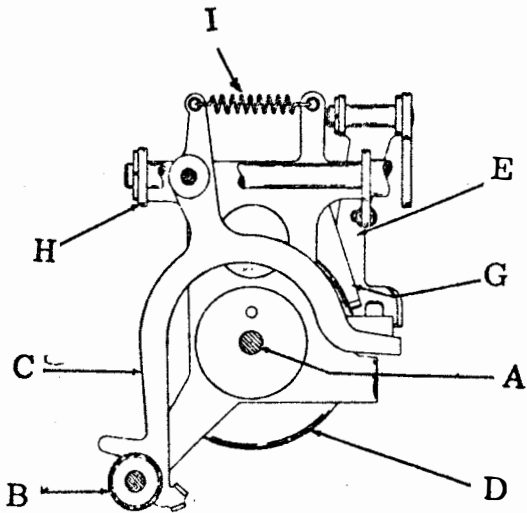
46. Typical Function Linkage (Selected)  
(Right View)



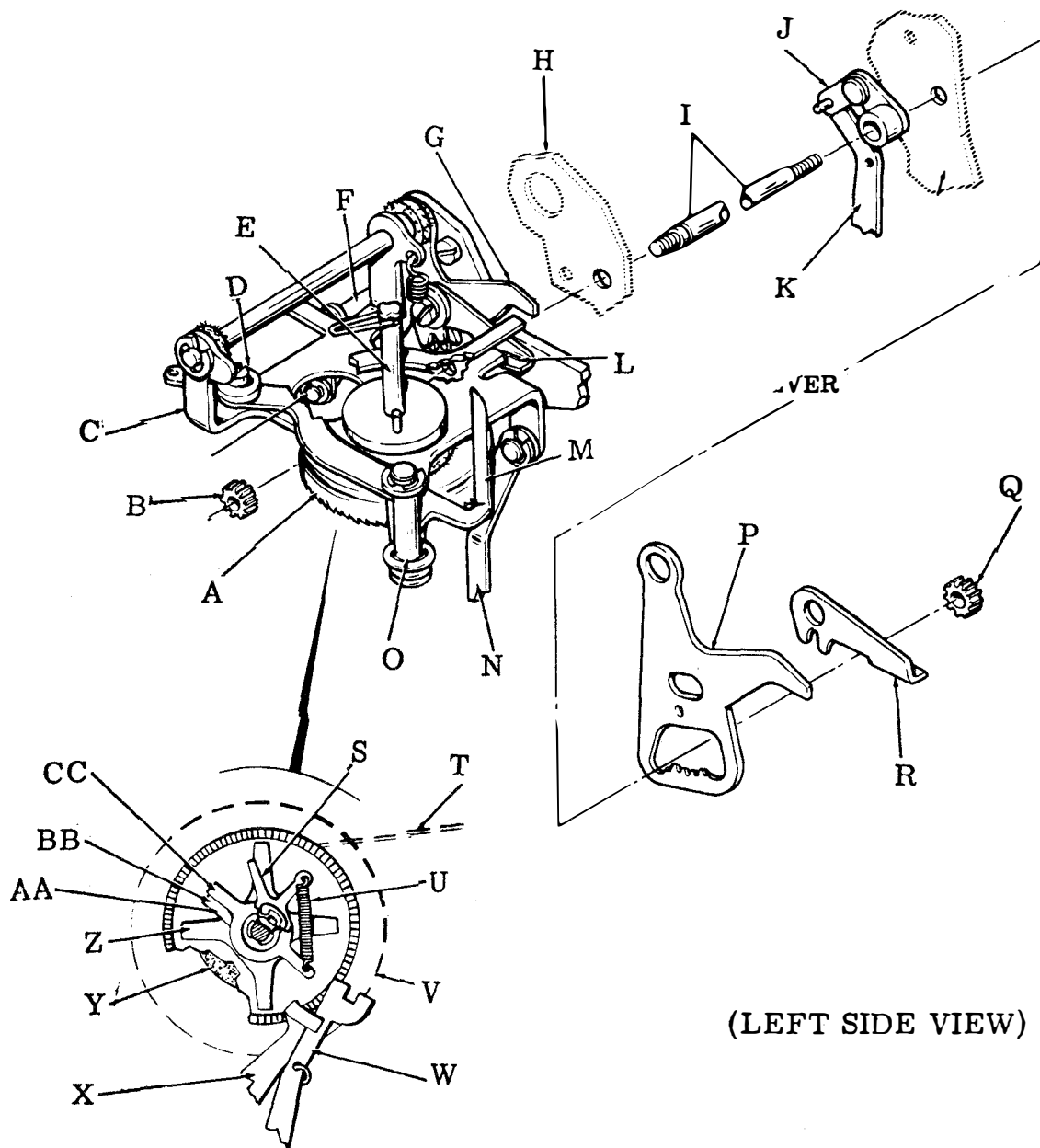
47. Typical Function Linkage (Unselected)  
(Right View)



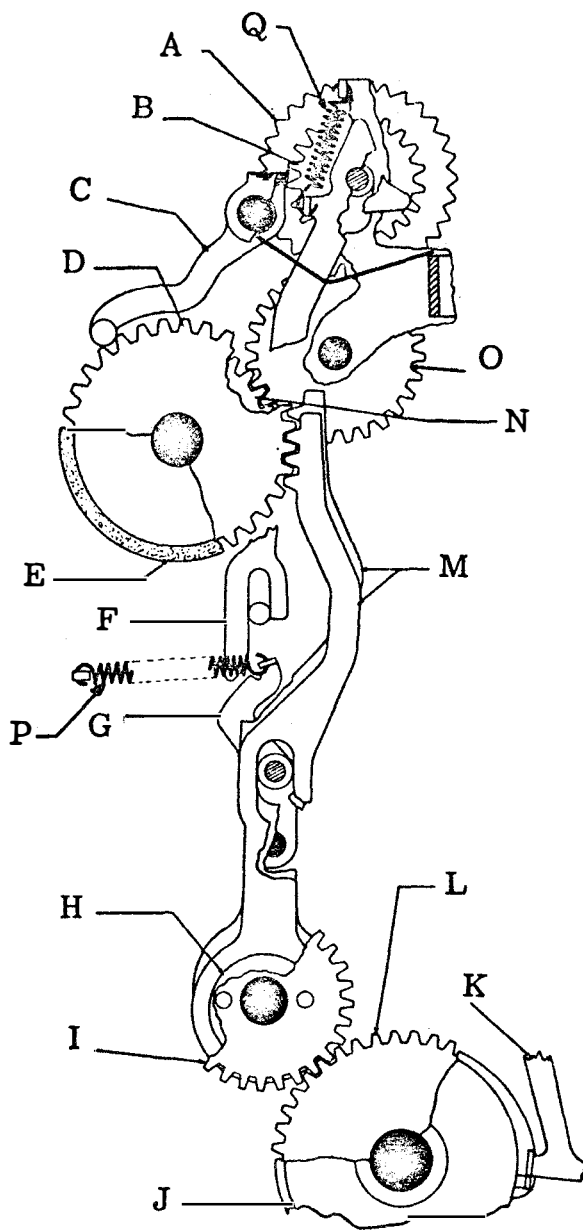
48. Ribbon Mechanism, Left Side



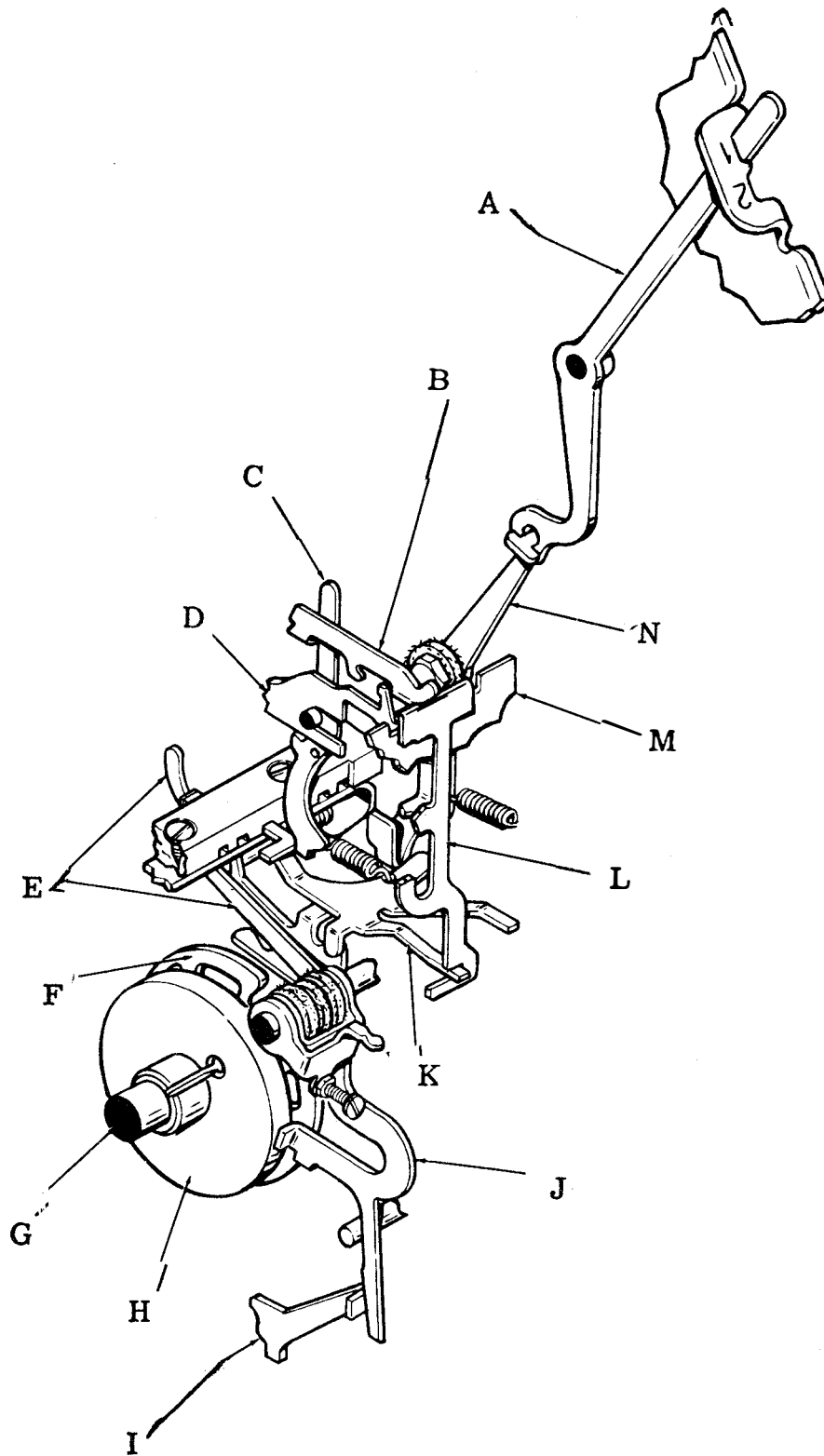
49. Ribbon Mechanism, Left Top View



50. Ribbon Feeding Mechanism

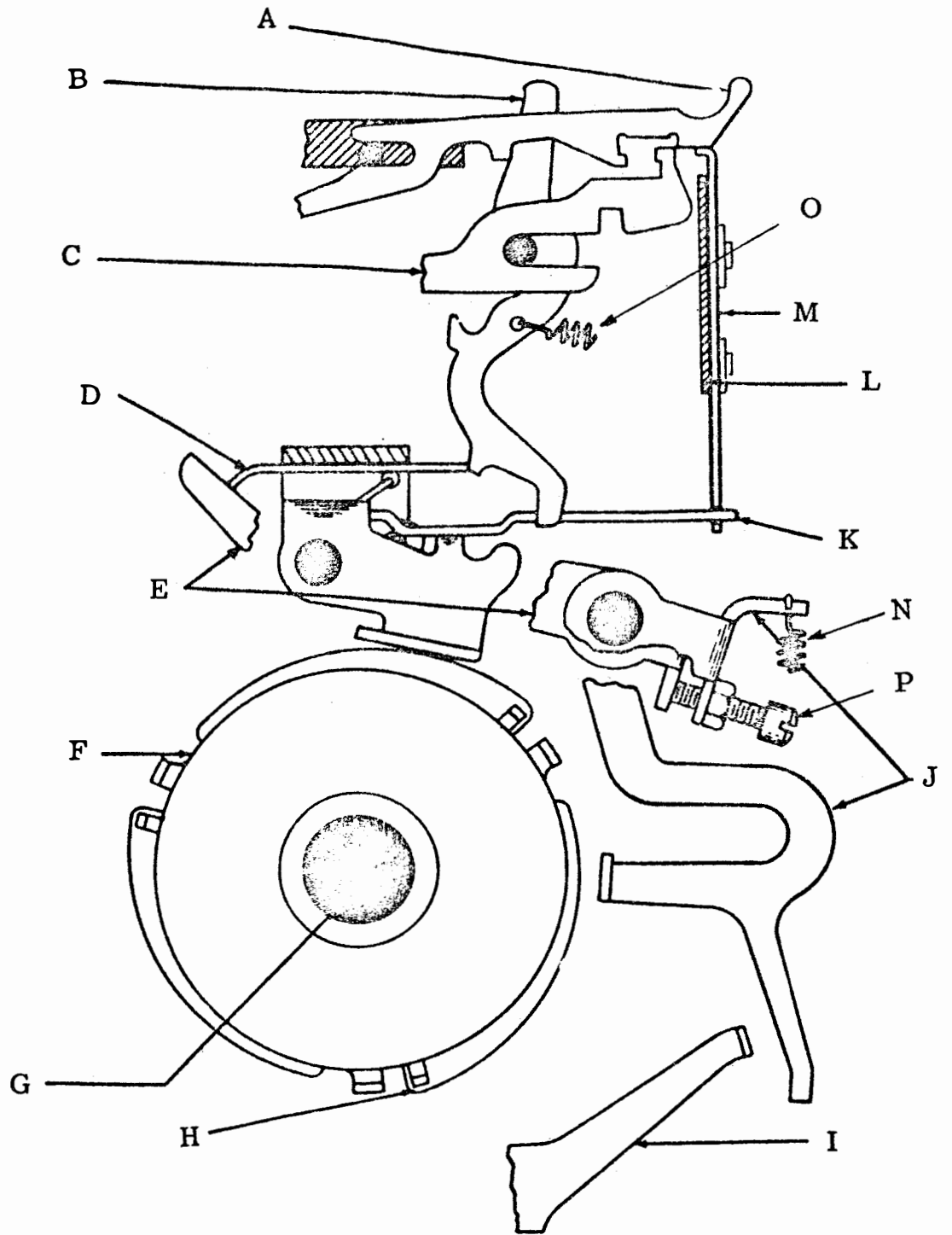


51. Line Feed Mechanism  
(Right View)

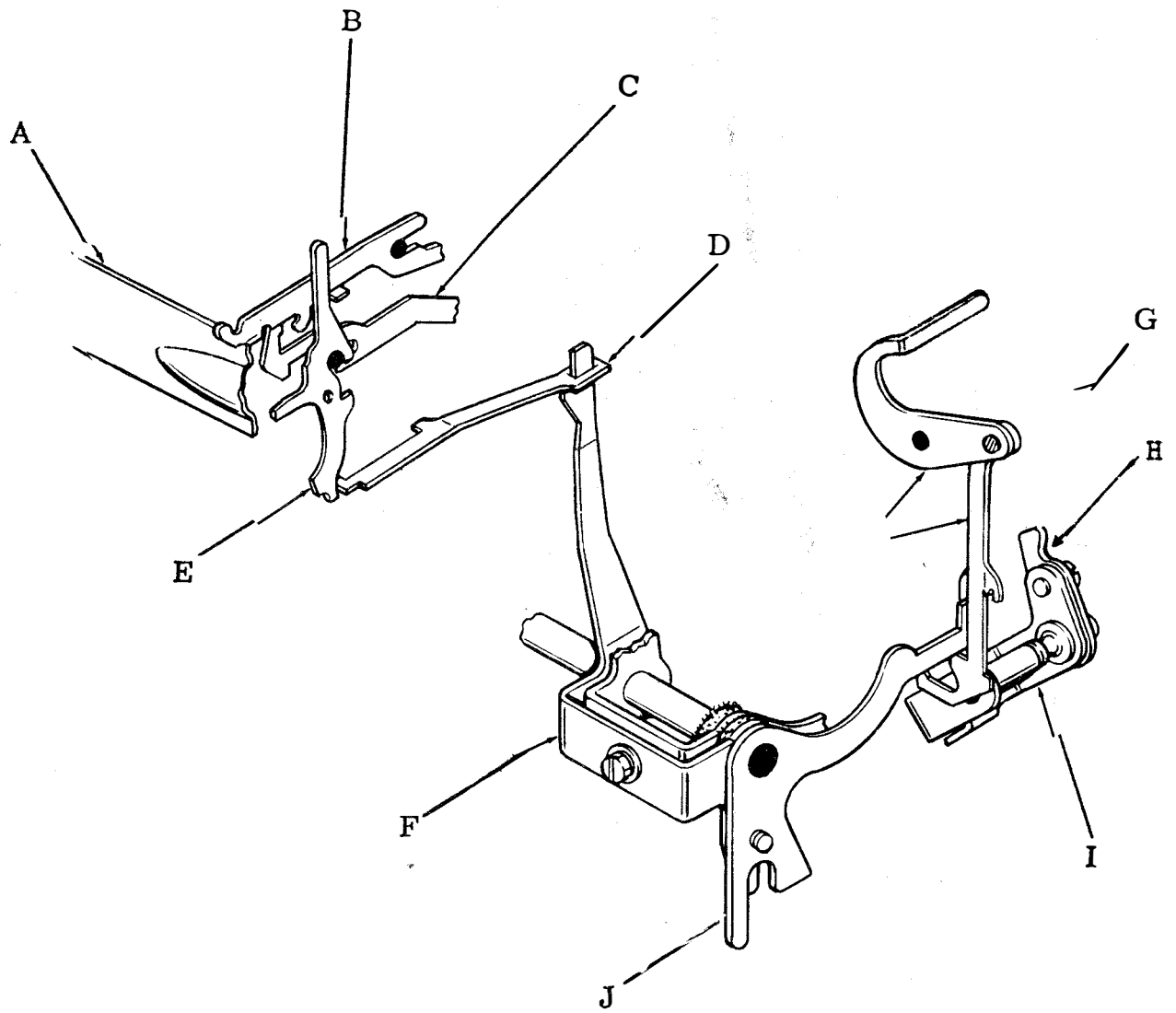


52. Line Feed Mechanism  
(Right Rear View)

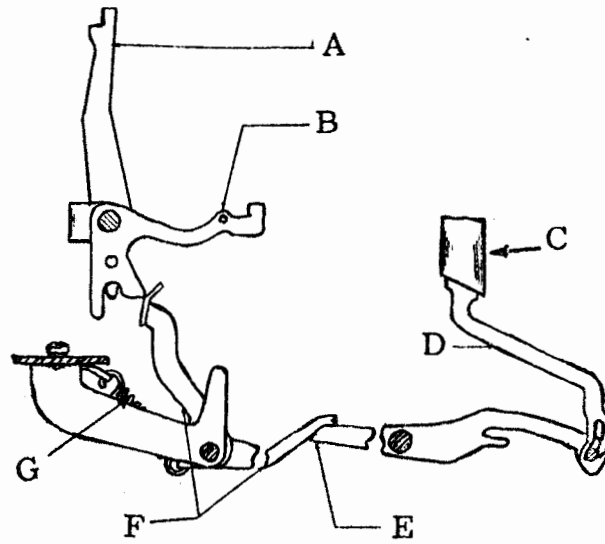




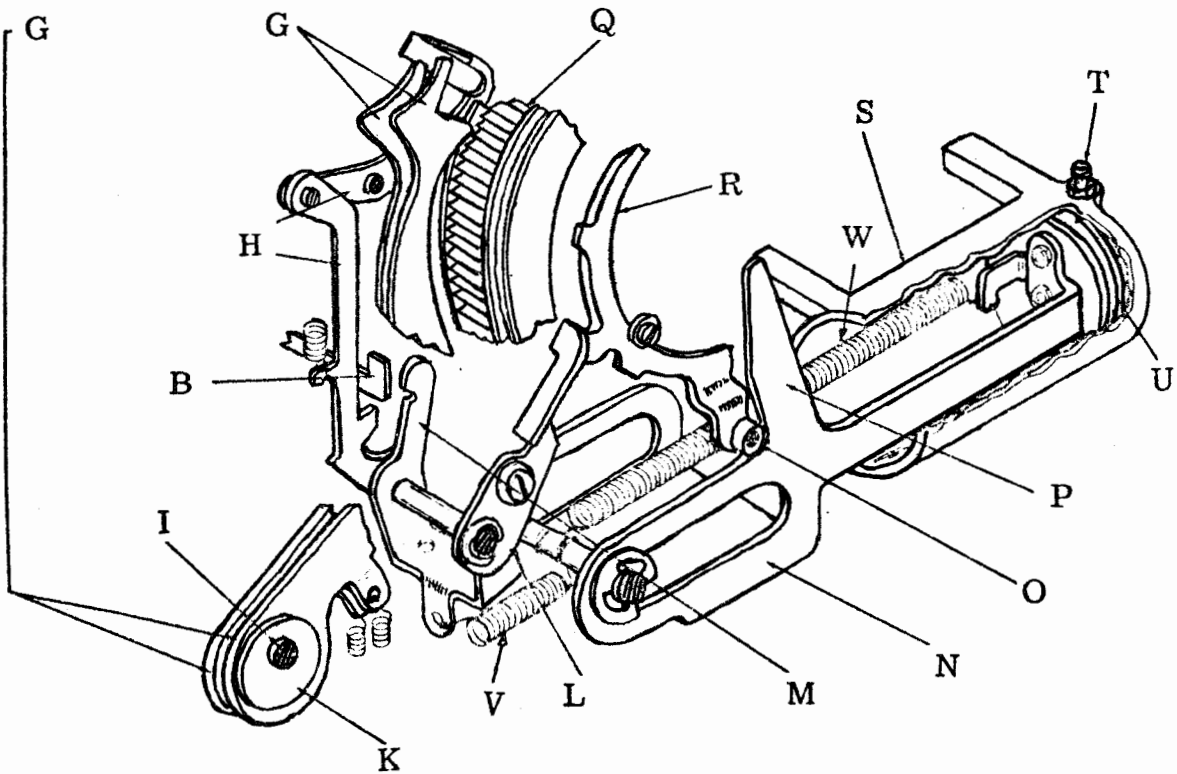
53. Line Feed Function and Clutch Mechanism  
(Right View)



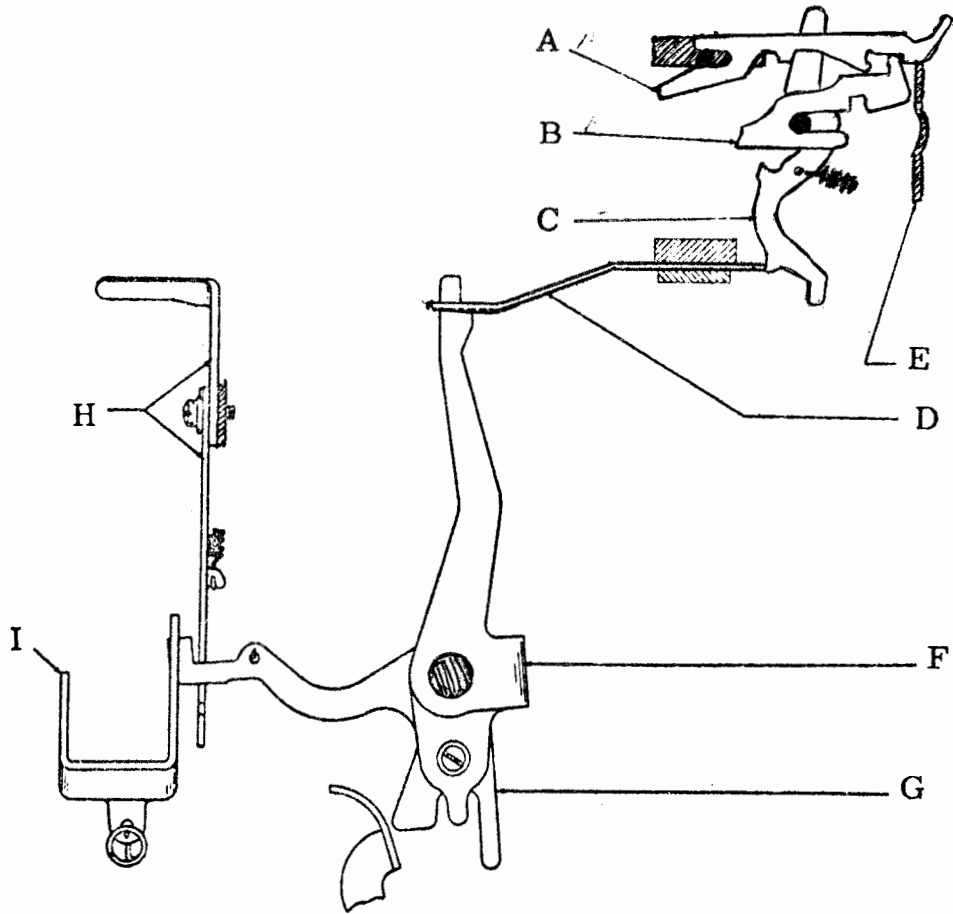
54. Carriage Return Function Mechanism  
(Left Rear View)



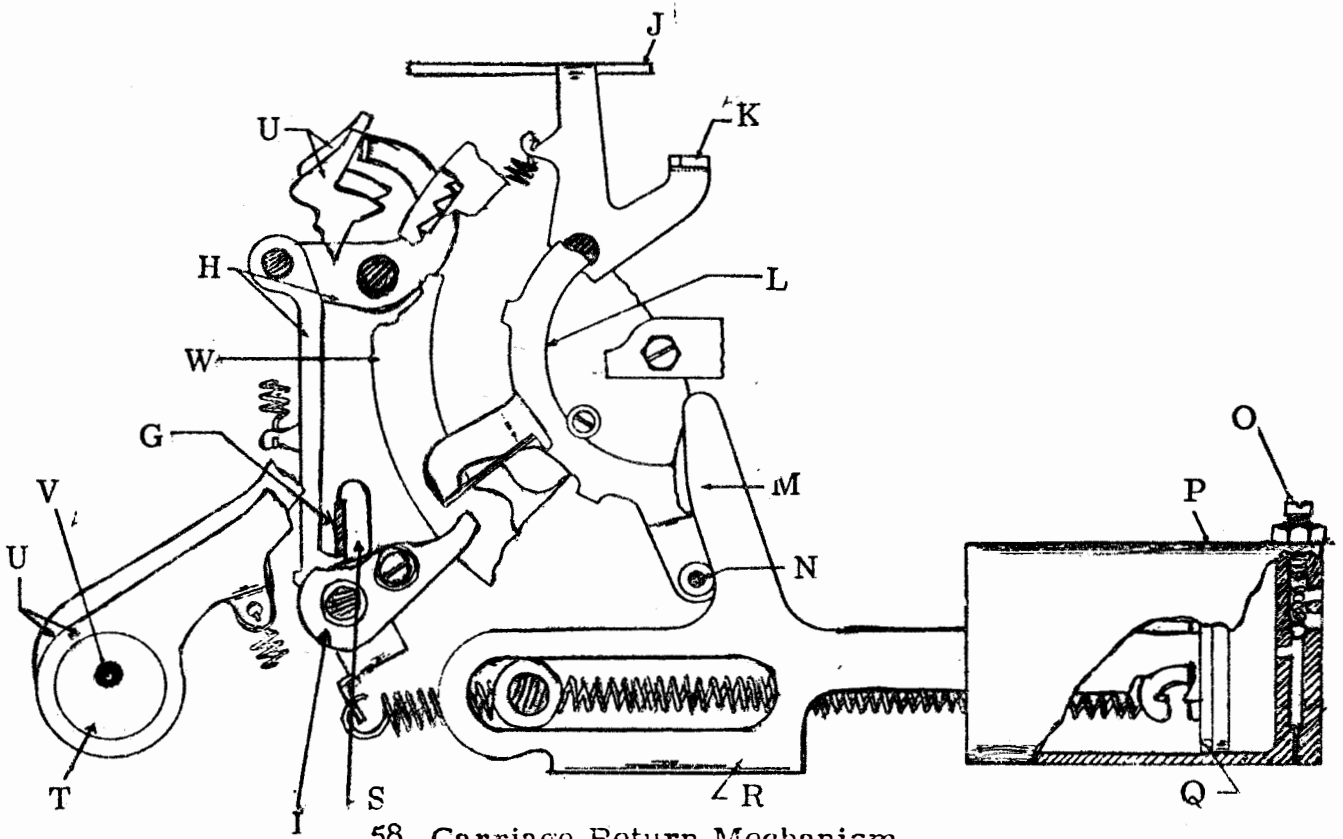
55. Local Carriage Return Mechanism  
(Left View)



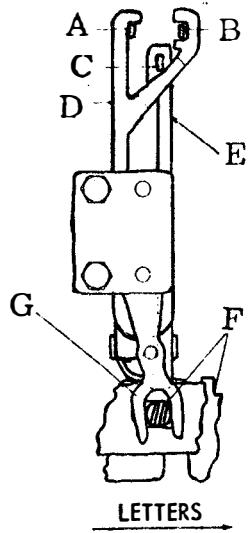
56. Carriage Return Mechanism  
(Left Front View)



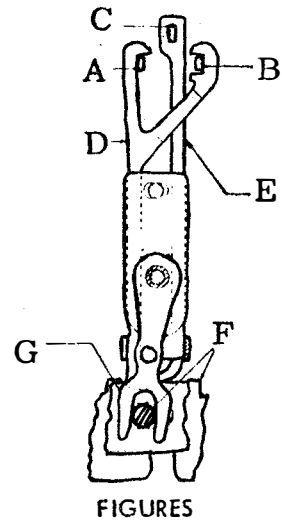
57. Carriage Return Function Mechanism  
(Right View)



58. Carriage Return Mechanism  
(Front View)



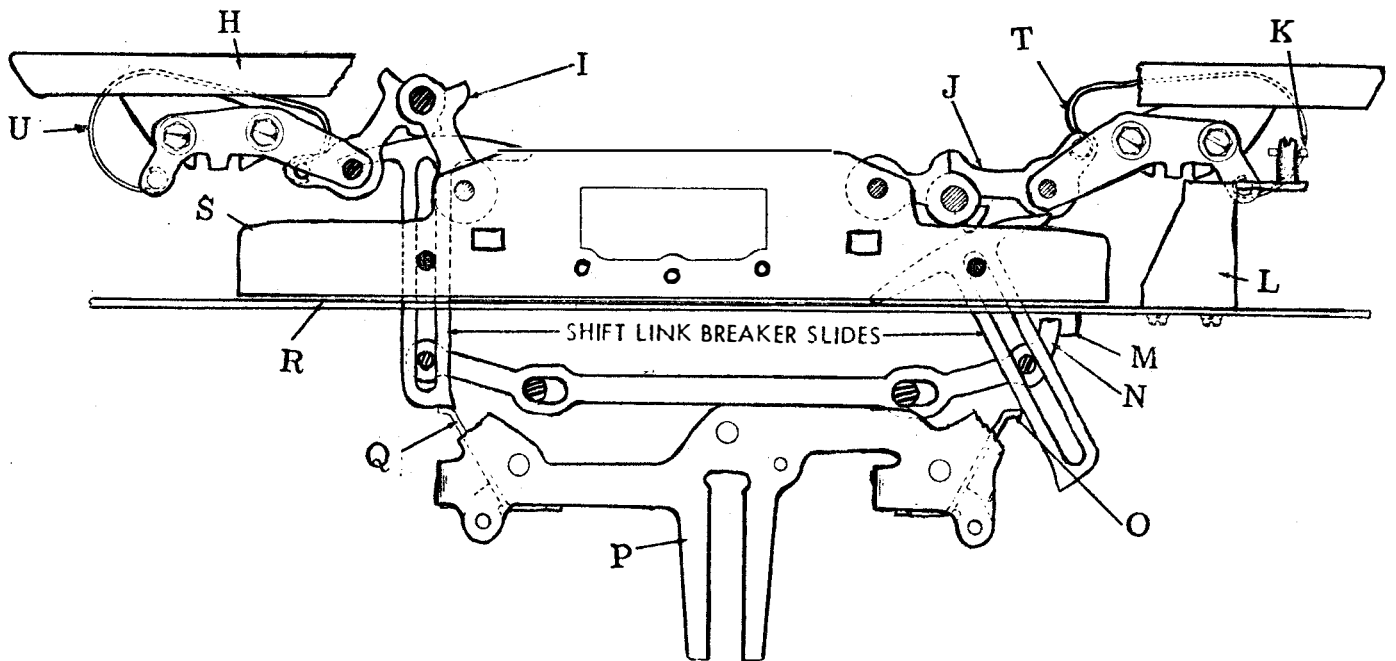
(TOP VIEW)



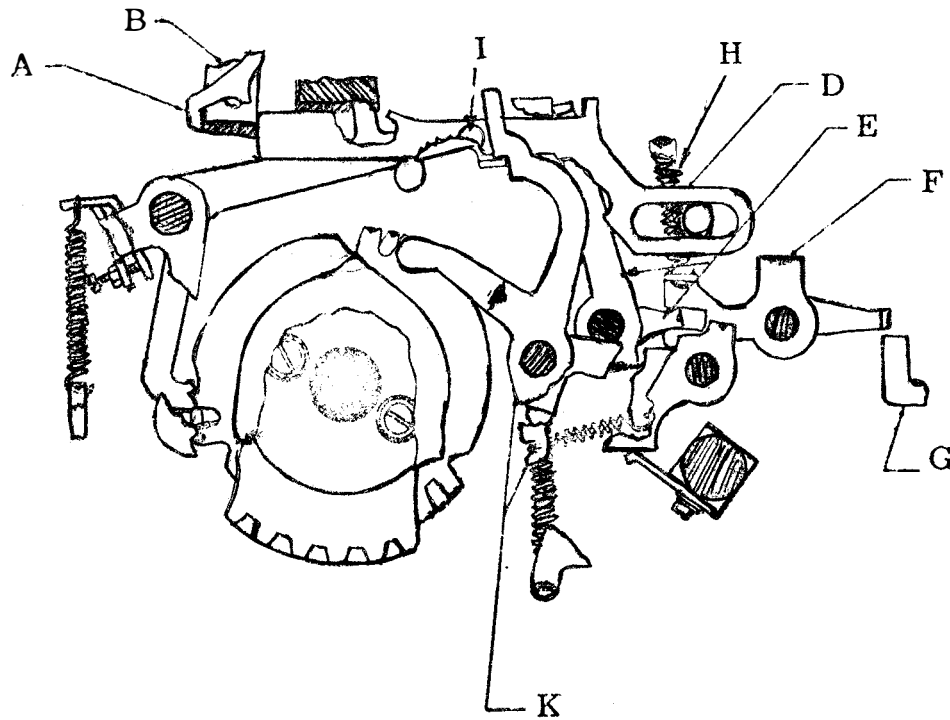
(TOP VIEW)

59. Letters-Figures Function Slide, Letters Position

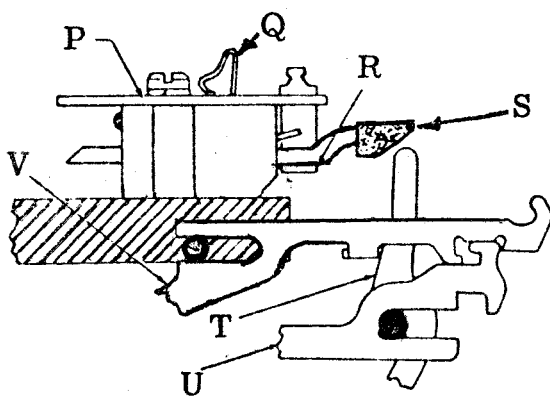
60. Letters-Figures Function Slide, Figures Position



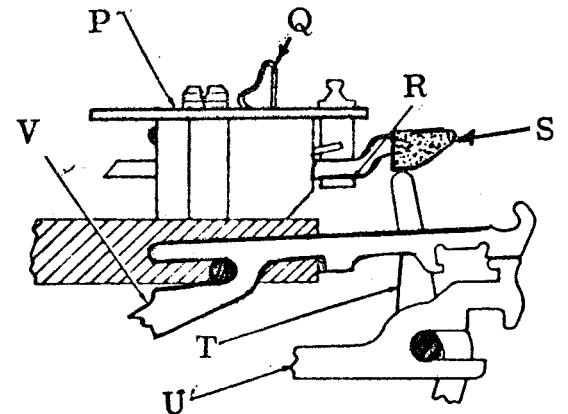
61. Letters-Figures Shift Mechanism, Letters Position (Front View)



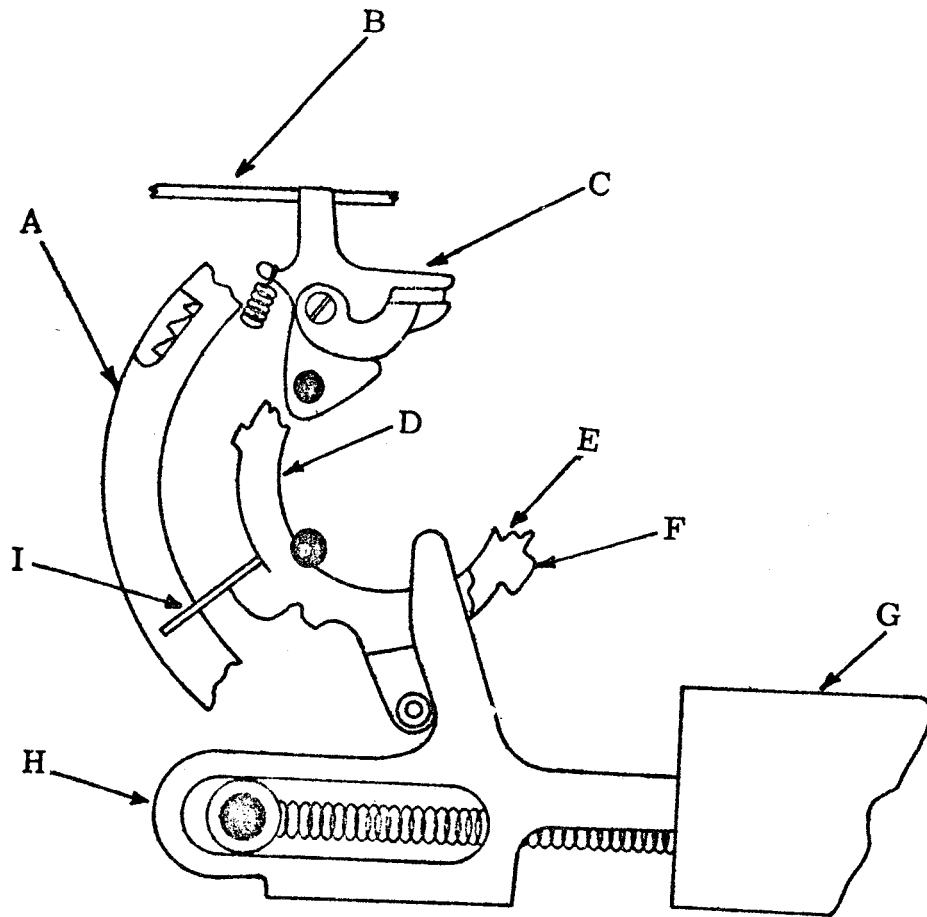
62. Clutch Control  
(Left View)



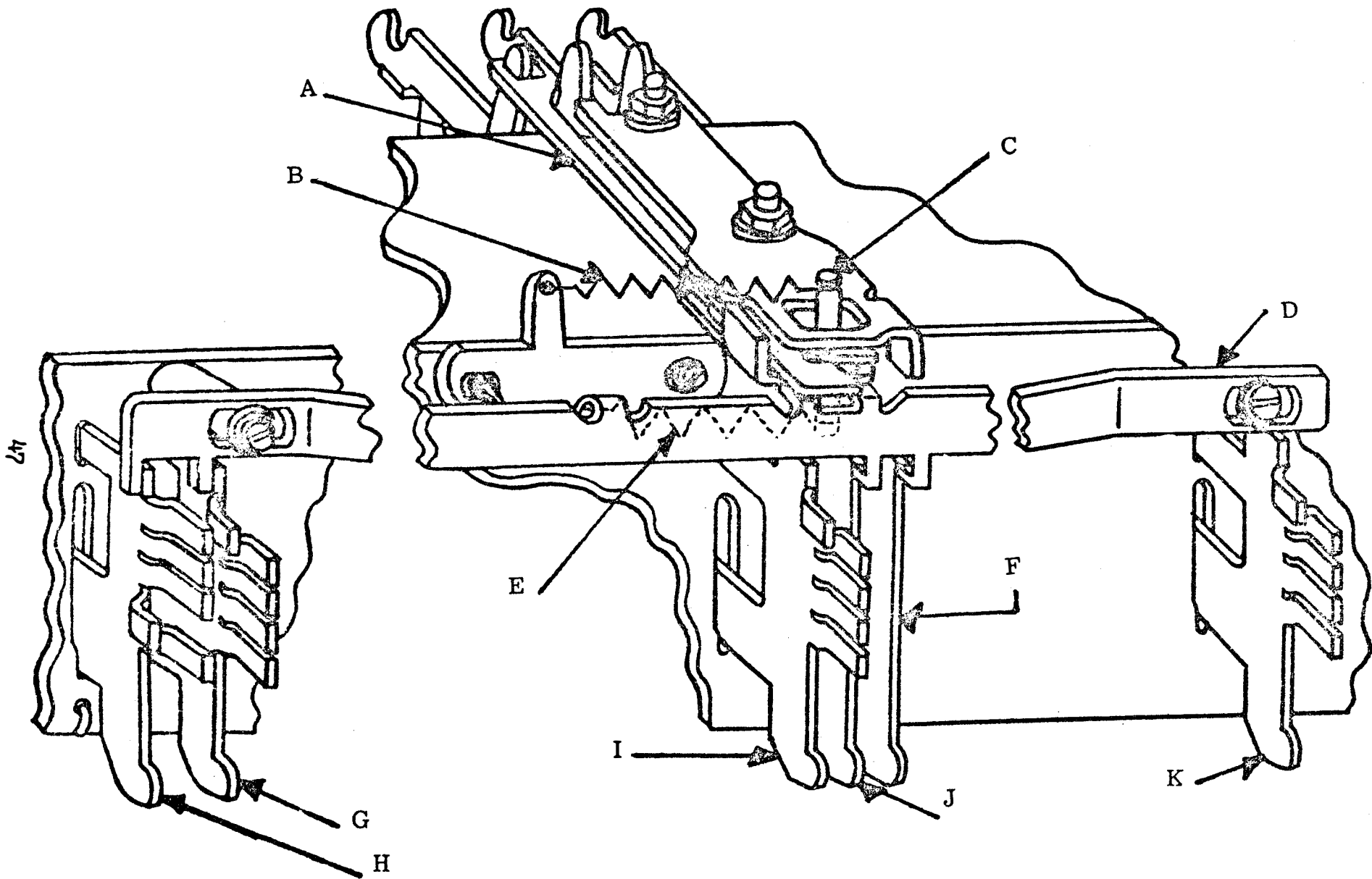
63. Signal Bell Contact  
Mechanism, Selected  
(Right View)



64. Signal Bell Contact  
Mechanism, Unselected  
(Right View)

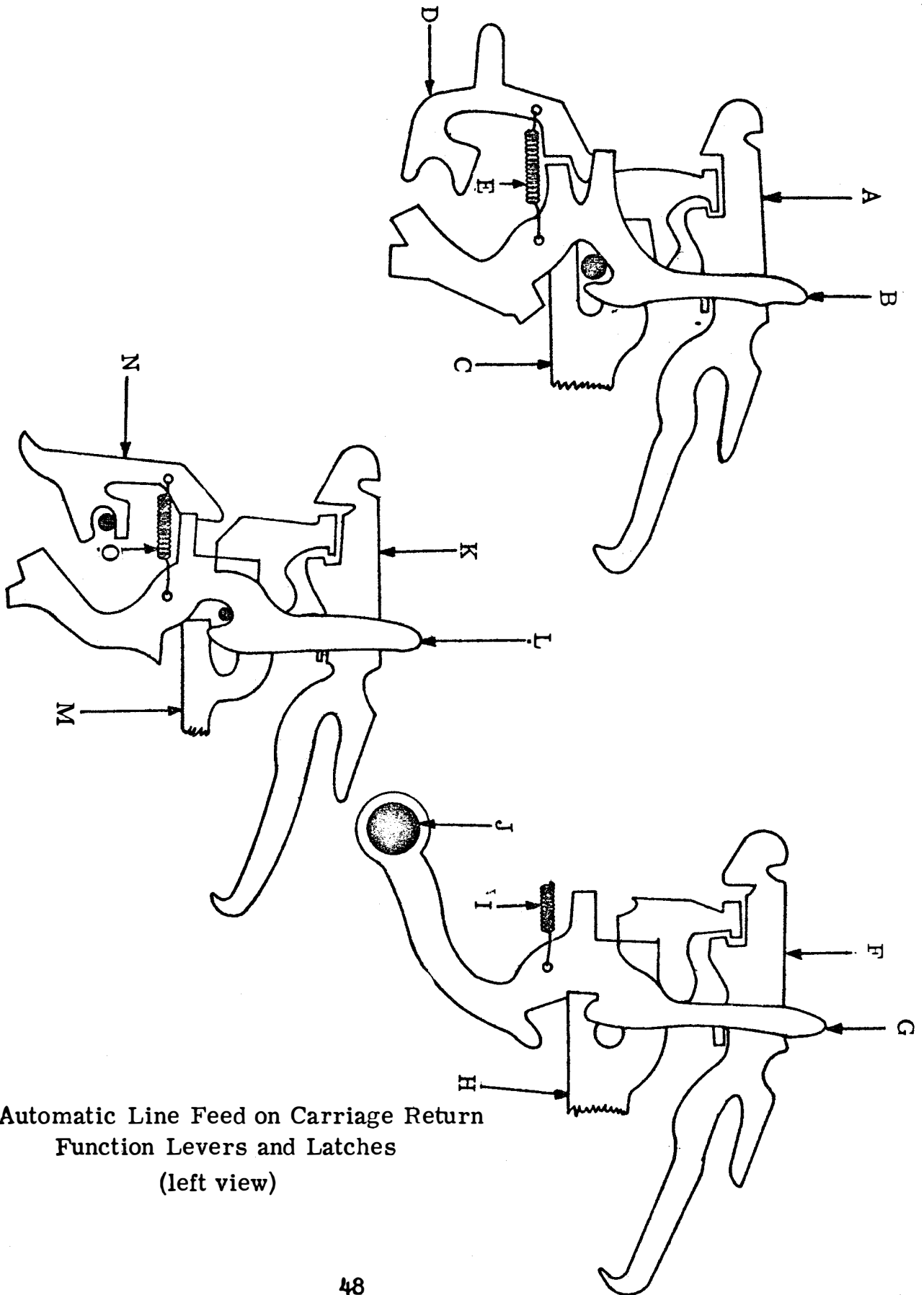


65. AUTOMATIC CARRIAGE RETURN LINE FEED



66. AUTOMATIC LINE FEED ON CARRIAGE RETURN FUNCTION  
(FRONT VIEW)





67. Automatic Line Feed on Carriage Return  
Function Levers and Latches  
(left view)