

INSTRUCTIONS FOR INSTALLING THE 323790
MODIFICATION KIT TO ADAPT MODEL 35
8-½ INCH SPROCKET FEED TYPING UNIT FOR USE
WITH 3-½ INCH LONG BY 8-½ INCH WIDE FORMS

1. GENERAL

1.01 The 323790 modification kit permits the use of a 3-½ inch form with the back ply consisting of card stock (edge punched card type). Typing may start near the top edge of the form and each form is to be torn off immediately after completion. First line positioning is done through the normal FORM FEED (control-L) function and the typing unit cover need not be opened to remove the finished form. See Figure 1 for typing limitations of short forms.

1.02 No form accumulation is intended with this modification kit as each form is to be torn off when typing is finished. The customer must supply his own container.

1.03 The typing unit to be modified must be equipped with the 154768 modification kit to provide 3-½ inch form feed. (See Teletype Specifications 5751S and 50004S.)

1.04 Edge serrations provide a form of approximately 7-3/8 inches in width after the edges are torn off. Removing edges will allow paper and card to separate freely.

1.05 The bottom line of typing on the very last form will not be legible due to ribbon displacement. Do not type on last line of last form or if last line of type is necessary do not use last form.

1.06 The 323790 kit consists of:

<u>Qty.</u>	<u>Part No.</u>	<u>Description</u>	<u>Qty.</u>	<u>Part No.</u>	<u>Description</u>
6	2191	Lockwasher	1	321935	Left bracket arm
1	3598	Nut	1	321936	Right bracket arm
6	7002	Flat washer	1	321938	Deflector
2	7015	Nut plate	1	321939	Form guide
1	80481	Stud	2	323656	Arm with hub
4	110743	Lockwasher	1	323786	Lever with hub
4	125011	Flat washer	1	323787	Rear guide assembly
4	151637	Screw	1	323788	Spacer
4	151658	Screw	1	323789	Upper guide
1	153833	Guide bracket	1	328165	Left paper guide
1	156740	Screw	1	328166	Right paper guide
1	197752	Bracket			

1.07 For parts ordering information, on other than the parts in the kit, see Teletype Parts Bulletin 1187B.

SPECIFICATION 50612S

2. INSTALLATION

- 2.01 Remove the typing unit from the console.
- 2.02 Remove and retain the 55063 spring and the 128357 retainer from the 153678 bracket with shaft. Loosen the 153839 screw on the 155565 and 155566 sprocket arms. Slide shaft out of its guide. (See Figure 2.)
- 2.03 Remove and save the 153839 screw, 2191 lockwasher, 8330 flat washer, and 151629 nut plates from the 155565 and 155566 sprocket arms. Discard arms and the two 153685 stripper plates.
- 2.04 Assemble two (2) 153839 screw, two (2) 2191 lockwashers, two (2) 8330 flat washers, and two (2) 151629 nut plates to the 321935 and 321936 bracket arms. Tighten finger tight.
- 2.05 Insert the 328165 and 328166 paper guides under platen making sure that paper guides are positioned above the 304772 paper tray. (See Figure 2.) Paper tray must be loosened and moved forward to insert guides. Left guide must be inserted from right side of platen and slid across to its position.
- 2.06 Position the 323656 stripper plates in slots in platen. Place 321935 and 321936 bracket arms on printer. Insert 153678 bracket with shaft through right side frame, right bracket arm, right stripper plate, left stripper plate, left bracket arm, and left printer side frame.

Note: Shaft must pass through ears of sprocket cams on either end of platen.

- 2.07 Replace the 128357 retainer on the 153678 bracket with shaft.
- 2.08 Rotate the 153678 bracket with shaft clockwise to its stop. Replace the 55063 spring.
- 2.09 Place the 321938 deflector in place on the 328165 and 328166 guides. Attach with four (4) 151637 screws, four (4) 110743 lockwashers, and four (4) 125011 flat washers to the 321935 and 321936 bracket arms. (See Figure 2.)
- 2.10 The 154519 bracket with associated hardware and spring are no longer necessary and should be removed and retained. (See Figure 2.)
- 2.11 Replace 192070 or 306684 form guide on the 192067 plastic bubble with the 321939 form guide using existing hardware.
- 2.12 Remove the 192344 paper out arm, 192343 low paper arm, one (1) 192345 spring. Install the 323788 spacer and the 323786 lever with hub with the remaining 192345 spring. (See Figure 3.) If printer is not equipped with paper out alarm, discard parts. Only the paper out alarm is to be used with this modification kit. Install the 197752 bracket as shown in Figure 3 making sure bracket extends beyond 323786 lever.
- 2.13 Move paper out switch and its new lever so that they are in the position closest to the mounting bracket. (See Figure 3.)

2.14 Remove the following parts, sealing the paper emission slot located inside the console above the cabinet electrical service unit.

6345	Nut	(2)	7002	Washer	(2)
2191	Lockwasher	(2)	152797	Retainer plate	(1)
			192116	Form slot cover	(1)

2.15 Install the following parts (Figure 4):

323789	Upper guide	(1)	7015	Nut plate	(2)
323787	Rear guide assembly	(1)	80481	Stud	(1)
153833	Bracket guide	(1)	2191	Lockwasher	(1)
151658	Screw	(4)	7002	Flat washer	(1)
2191	Lockwasher	(4)	3598	Nut	(1)
7002	Flat washer	(4)			

2.16 Some of the above parts included with modification kit 153926 might already be in customer's set. If so, discard the duplicate parts.

2.17 The 153833 guide bracket should be as far as possible to the right so that it contacts the 323787 rear guide assembly. To adjust, loosen the 151658 mounting screws, slide the bracket to the right, and tighten the screws.

2.18 Start the forms through the rear slot with the left edge against the 153833 guide bracket. The guidepost should clear the right edge of the paper by $1/16$ inch $\pm 1/64$. To adjust, loosen the guidepost mounting nut and position the post. Tighten the nut.

3. ADJUSTMENTS AND LUBRICATION

3.01 For standard adjustment and lubrication procedure, see Teletype Bulletin 280B.

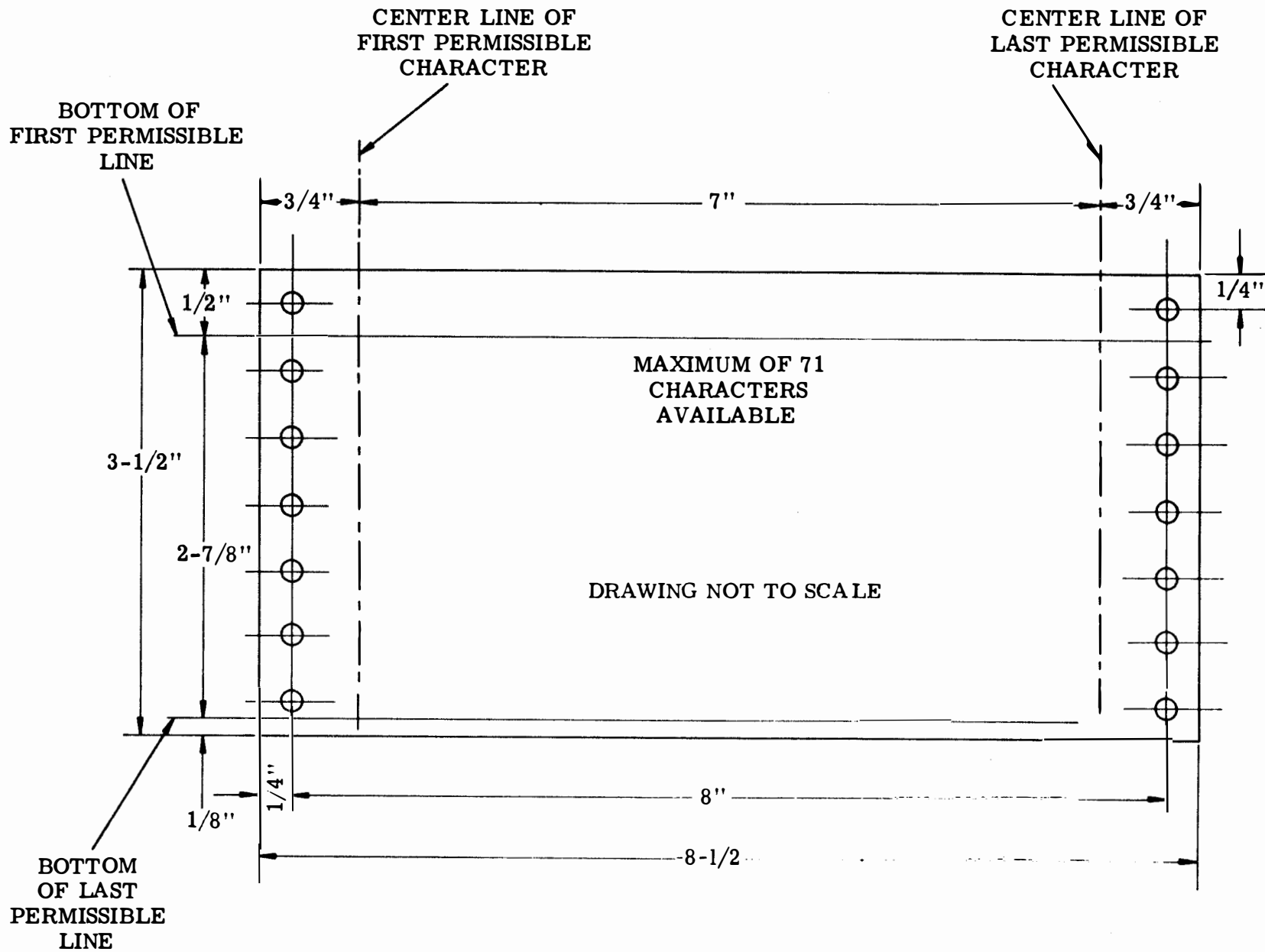
3.02 Make the adjustments given in Figures 5, 6, and 7.

Note: In making adjustment in Figure 5, make sure plastic deflector does not touch window when printer is in cabinet.

3.03 To adjust for the typing of the first and last permissible characters as given in Figure 1, see the STANDARD MARGIN adjustment in Teletype Bulletin 280B.

3.04 The form guide on the cover bubble must be adjusted to avoid having the guide strike the stripper plates on the typing unit. See Teletype Bulletin 280B for the standard adjustment and refine as necessary.

3.05 The opening between the glass window on the cover and the form guide on the cover bubble must be between 0.188" minimum and 0.312" maximum. The glass window can be moved to obtain this setting.



LIMITATIONS OF SPECIAL FORM TO BE USED WITH 323790 MODIFICATION KIT

FIGURE 1

506125

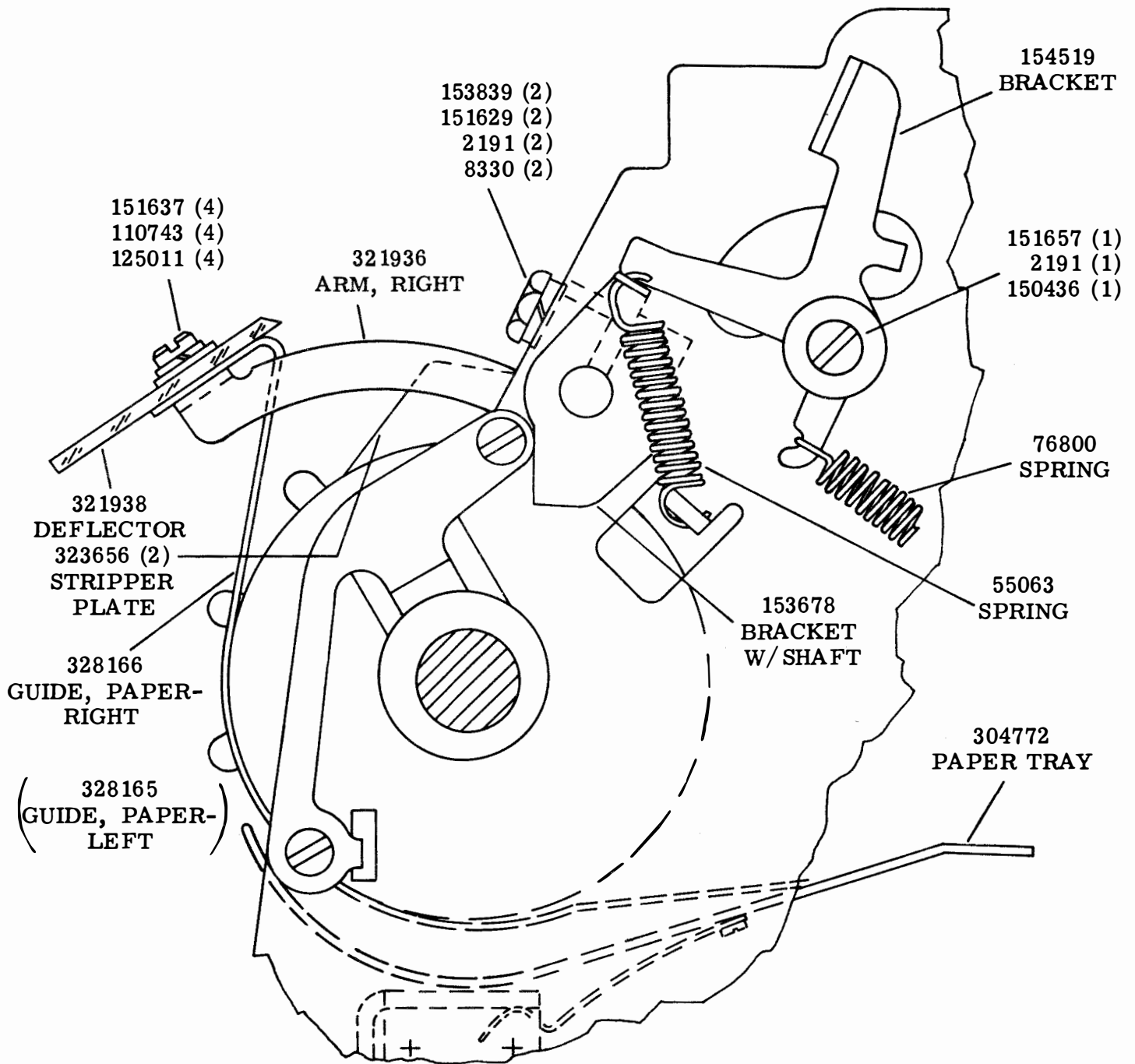


FIGURE 2

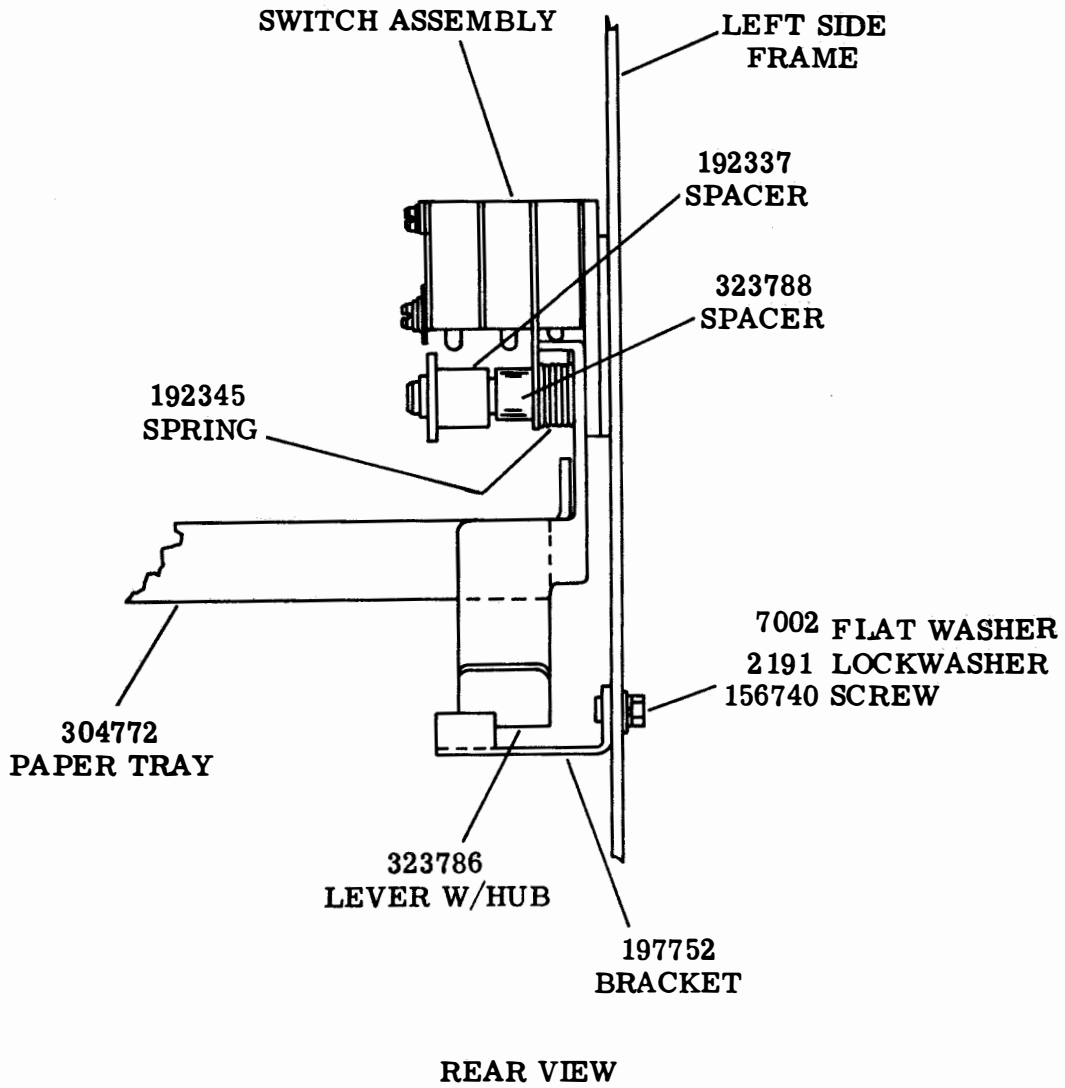


FIGURE 3

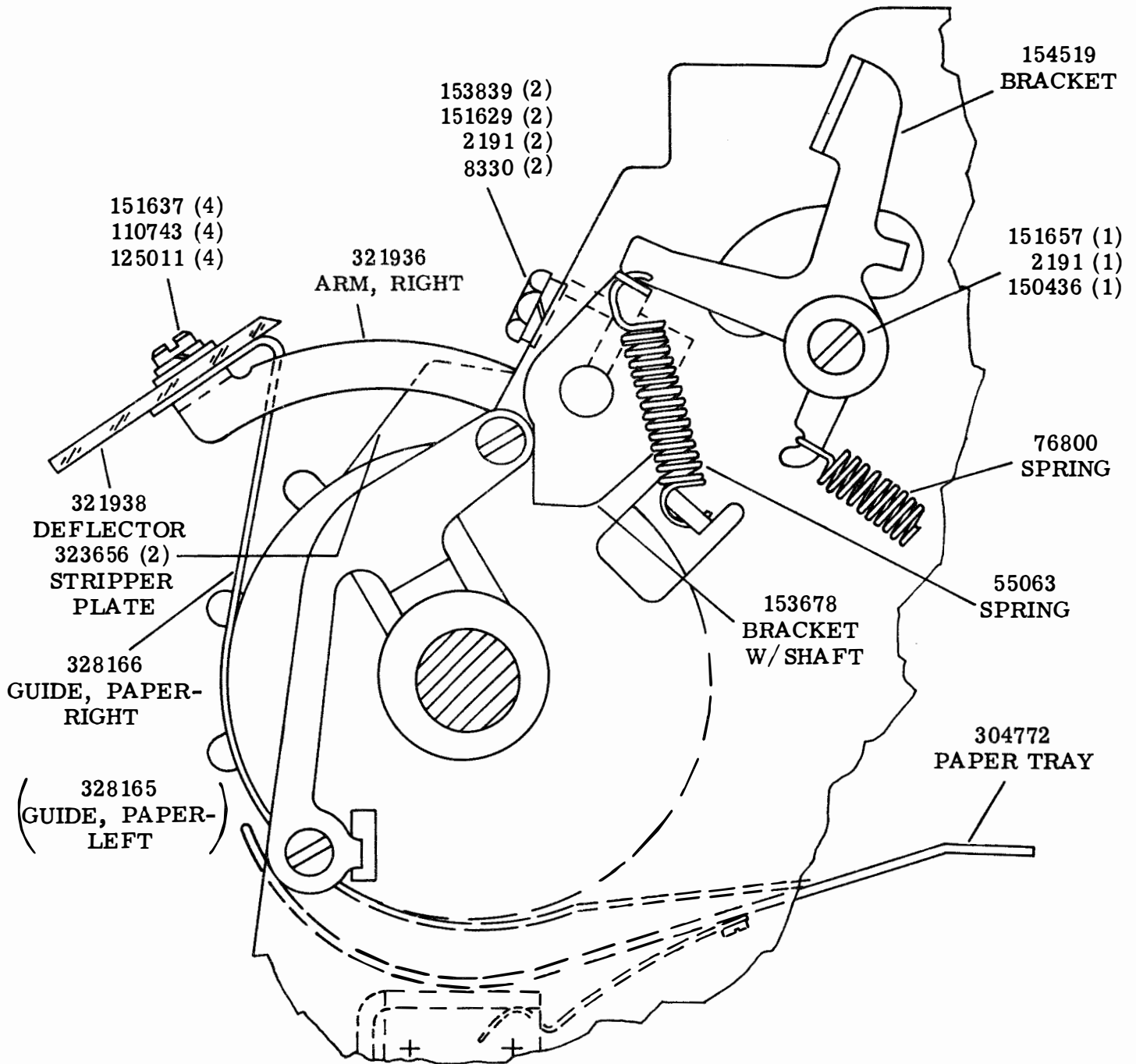


FIGURE 2

50612S

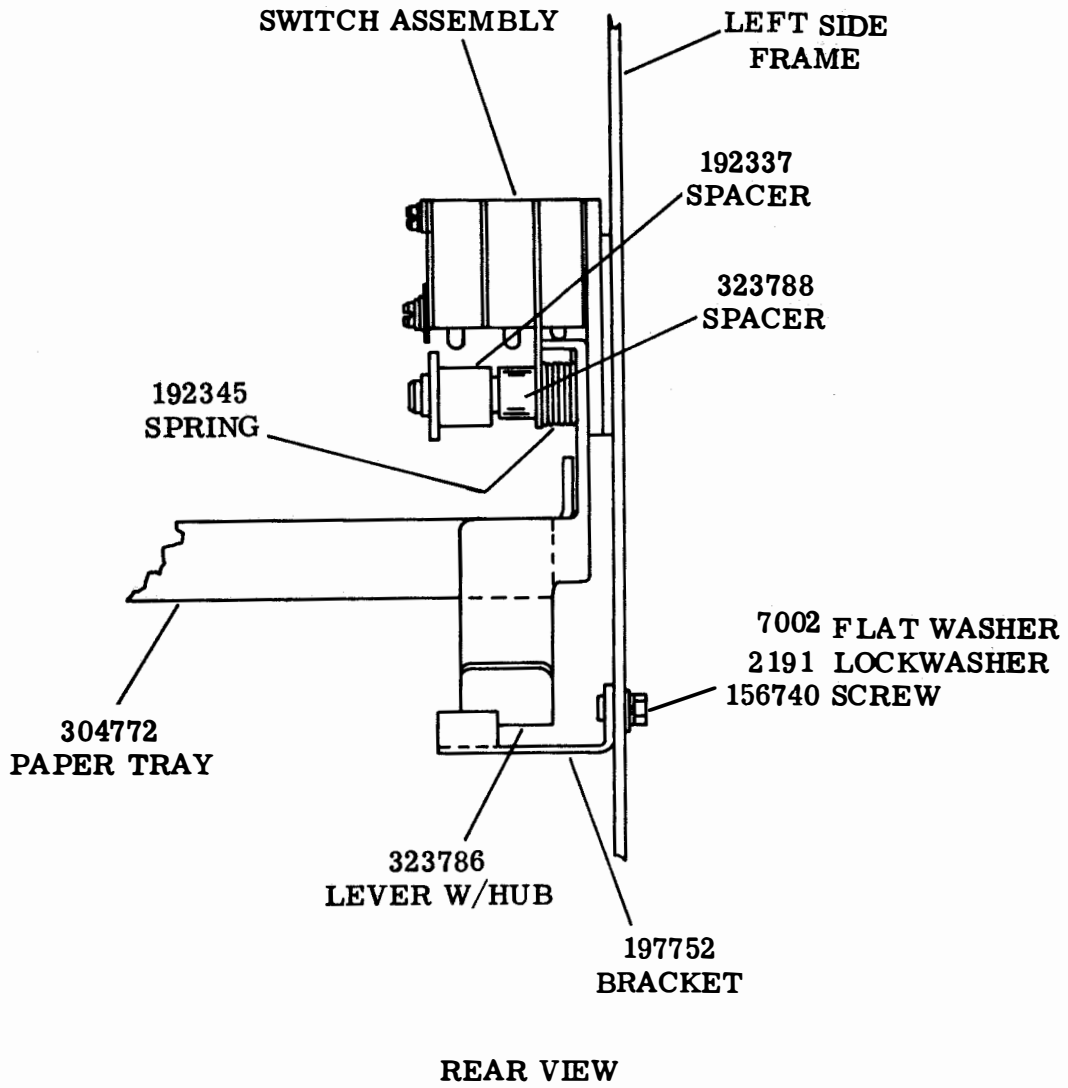
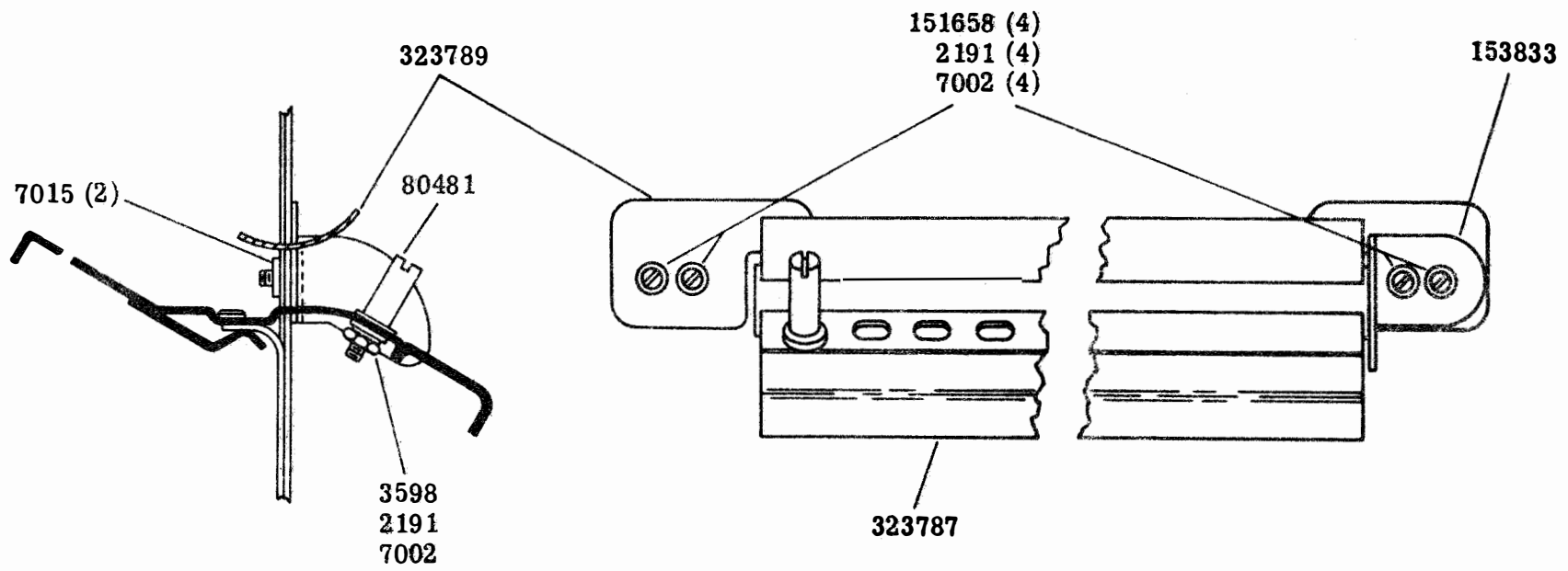


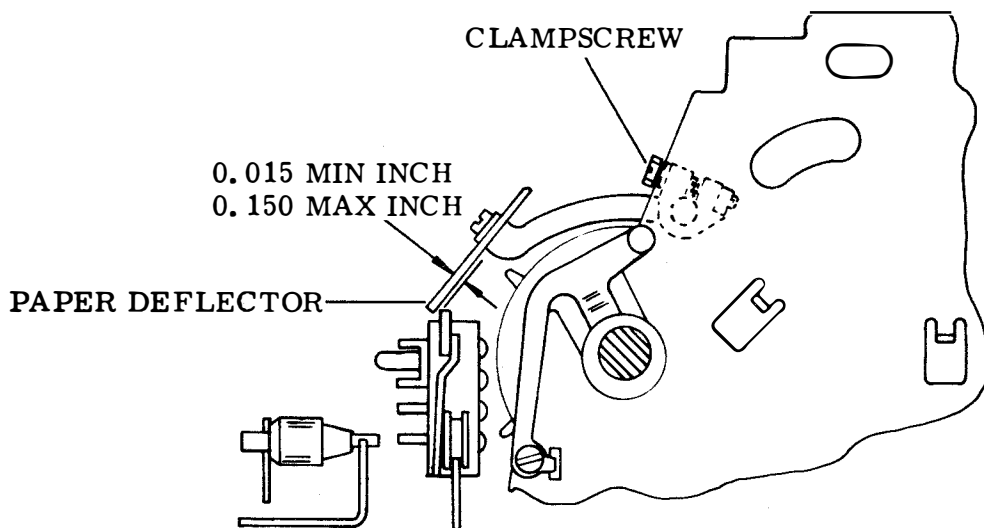
FIGURE 3



REAR VIEW

FIGURE 4

50612S



PAPER DEFLECTOR

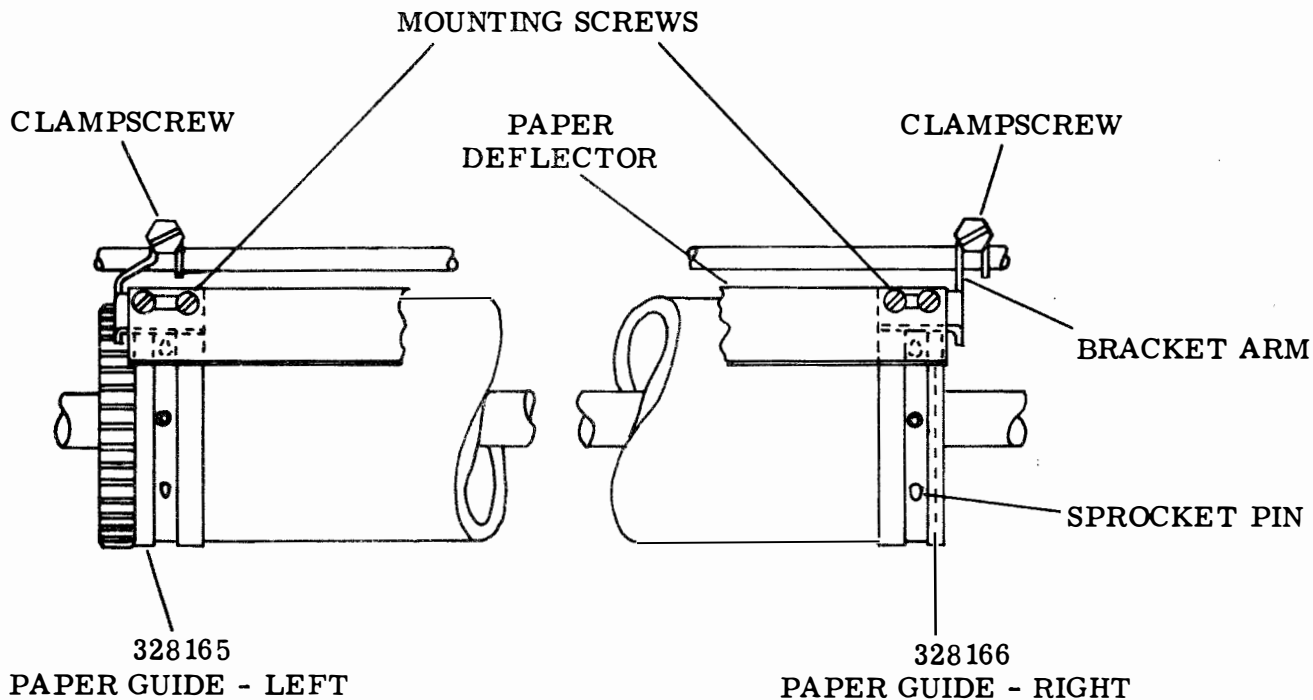
REQUIREMENT

WITH THE TYPE BOX IN ITS UPPER MOST POSITION (HAMMER STRIKING BOTTOM ROW OF TYPE PALLETS) THE CLEARANCE BETWEEN THE PAPER DEFLECTOR AND HANDLE OF THE TYPE BOX CLAMP SHOULD BE
 MIN 0.015 INCH---MAX 0.150 INCH

TO ADJUST

LOOSEN BOTH CLAMPSCREWS. POSITION ASSEMBLY VERTICALLY TO MEET REQUIREMENT.

FIGURE 5



PAPER GUIDE

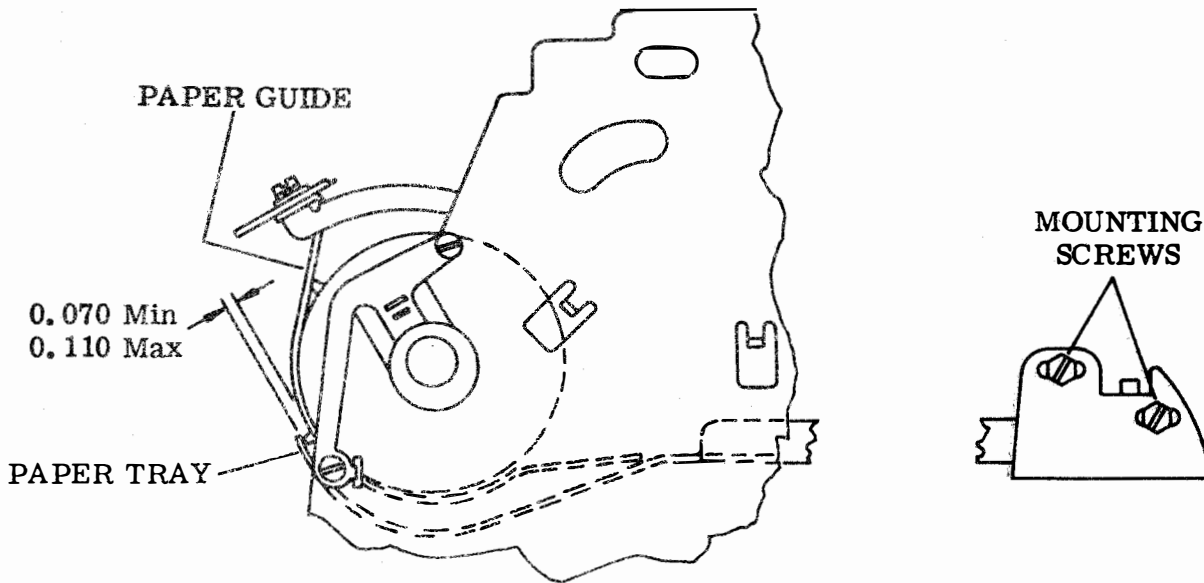
REQUIREMENT

SPROCKET PIN SHOULD BE CENTRALLY LOCATED IN THE PAPER GUIDE SLOT.

TO ADJUST

LOOSEN PAPER DEFLECTOR MOUNTING SCREWS. LOOSEN CLAMPSCREW. POSITION BRACKET. TIGHTEN SCREWS. RECHECK PAPER DEFLECTOR REQUIREMENT.

FIGURE 6



PAPER TRAY

REQUIREMENT

THE CLEARANCE BETWEEN THE PLATEN AND THE INNER EDGE OF
PAPER TRAY SHOULD BE
MIN 0.070 INCH---MAX 0.110 INCH

TO ADJUST

POSITION THE TRAY WITH ITS REAR MOUNTING
SCREWS LOOSENED.

FIGURE 7