

INSTRUCTION FOR INSTALLING THE 311458, 311459, 311460,  
AND 311461 MODIFICATION KITS TO PROVIDE ADJUSTABLE LAST  
FORM ALARM ON MODEL 35 SPROCKET FEED TYPING UNITS

1. GENERAL

1.01 The 311458 through 311461 modification kits provide adjustable last form alarm on Model 35 Sprocket Feed Typing Units. The kits are for use with the following form widths.

<u>WIDTH</u>	<u>KIT NO.</u>
3-5/8", 4-1/2", 5-1/2", 6-1/2", 7-1/2", & 8-1/2"	311458
3", 4", 5", 6", 7", 8" & 9"	311459
4-1/4", 5-3/4" & 6-3/8"	311460
4-5/16" & 6-1/4"	311461

1.02 The adjustable last form alarm mounts on the paper guide. This allows the paper guide to be removed, for access to the stunt box, without disassembling the last form alarm. Due to this requirement, a special paper tray capable of mounting the alarm is required. There are four sets available, each having a different paper tray, to accommodate the various form widths. For this reason a different kit must be used for the various form widths. A torsion spring applies a downward pressure on 311465 lever which is held up by the paper below the 311464 slide. As the paper passes from beneath the slide, the latter is allowed to fall through a slot in the paper tray. Refer to Figure 1. An extension on the upper portion of the slide is forced against the 124999 switch, which is wired to a customer supplied alarm.

1.03 To reload the unit with forms, the 311464 slide is lifted and rotated forward to a latched position. To prime the alarm, the slide is unlatched and allowed to rest on the new forms.

1.04 The kits may be adjusted for any form 4 to 7-3/8 inches long by using a series of mounting holes on the underside of the paper tray.

1.05 The modification kits consist of the following parts:

2	1156	Screw	2	119467	Insulator
2	3624	Washer	1	119649	Retainer
1	72254	Washer	2	119651	Retainer
2	74808	Bushing	2	125802	Washer
2	93117	Washer	2	151152	Screw
2	110743	Washer	1	151610	Washer

## SPECIFICATION 50468S

1	311462	Bracket	1	311468	Paper tray (Only in kit 311460)
1	311464	Slide			
1	311465	Lever	1	311469	Paper tray (Only in kit 311461)
1	311466	Paper tray (Only in kit 311458)	1	311471	Bracket
1	311467	Paper tray (Only in kit 311459)	1	311730	Cable assembly
			1	326799	Torsion spring

1.06 For parts ordering information, other than the parts in the kits, and for standard adjustments and lubrication procedure refer to the standardized information.

## 2. INSTALLATION (Figures 1 to 4)

- 2.01 Remove the existing paper-out alarm from the printer and tape and tie back or remove the wires. If the alarm is not to be adjusted for long forms, the existing switch and cable, if present, may be used on the new alarm bracket.
- 2.02 Remove the existing paper tray.
- 2.03 Remove the two 151630 screws and 2191 lockwashers which secure the 153683 bracket and 153794 plate to the 152581 side frame. Save the screws, lockwashers, and plate. Discard the 153683 bracket.
- 2.04 Assemble the 311471 bracket to 152581 side frame using the screws and plate retained in Paragraph 2.03.
- 2.05 Place the 311464 slide over the two short posts on the 311462 bracket (Figure 1). Secure with two 119651 retainers.
- 2.06 Place the 72254 flat washers and 311465 lever on the long post of the bracket.
- 2.07 Place the 326799 torsion spring on the hub of the 311465 lever. Place the 151610 flat washer on the post and secure with a 119649 retainer. The torsion spring must be hooked in the extension on the 311465 lever and held by the stop on the 311462 bracket.
- 2.08 Assemble the 124999 switch (part of 311730 cable assembly) to the 311462 bracket. Place a 119467 insulator on each side of the 124999 switch. Use the 74808 bushing under the switch for spacers and 1156 screws, 93117 lockwashers, and 3624 washer to secure the switch to the 311462 bracket (Figure 1).
- 2.09 Feed the form back one line by rotating the manual line feed knob. Mark the position of the trailing edge of the form on the left side of the paper tray using a soft lead pencil.

- 2.10 Remove and retain the form. Remove the paper tray. Position the switch bracket assembly on the paper tray, placing the 311464 slide in its "operated" condition. Align the front edge of the slide (edge nearest platen) with the pencil mark on the paper tray.
- 2.11 Reinstall the paper tray with switch assembly in the printer. Replace the previously marked form in the printer to determine if the adjustment is correct. The switch should alarm one line before the marked line of type is in position to be typed.
- 2.12 Assemble the alarm switch assembly to the paper tray using a 151152 screw, 110743 lockwasher, and 125802 flat washer. If another tapped hole is visible through the slot in the 311462 bracket use the additional 151152 screw, 110743 lockwasher, and 125802 flat washer supplied with the kit. The slide should be aligned with the mark on the tray and pass freely through the slot in the tray when released from its detent position.
- 2.13 Make the paper guide adjustment given on Figure 4 at this time.
- 2.14 When using a different form, readjust the switch bracket assembly in accordance with Paragraphs 2.09 through 2.13

50468S

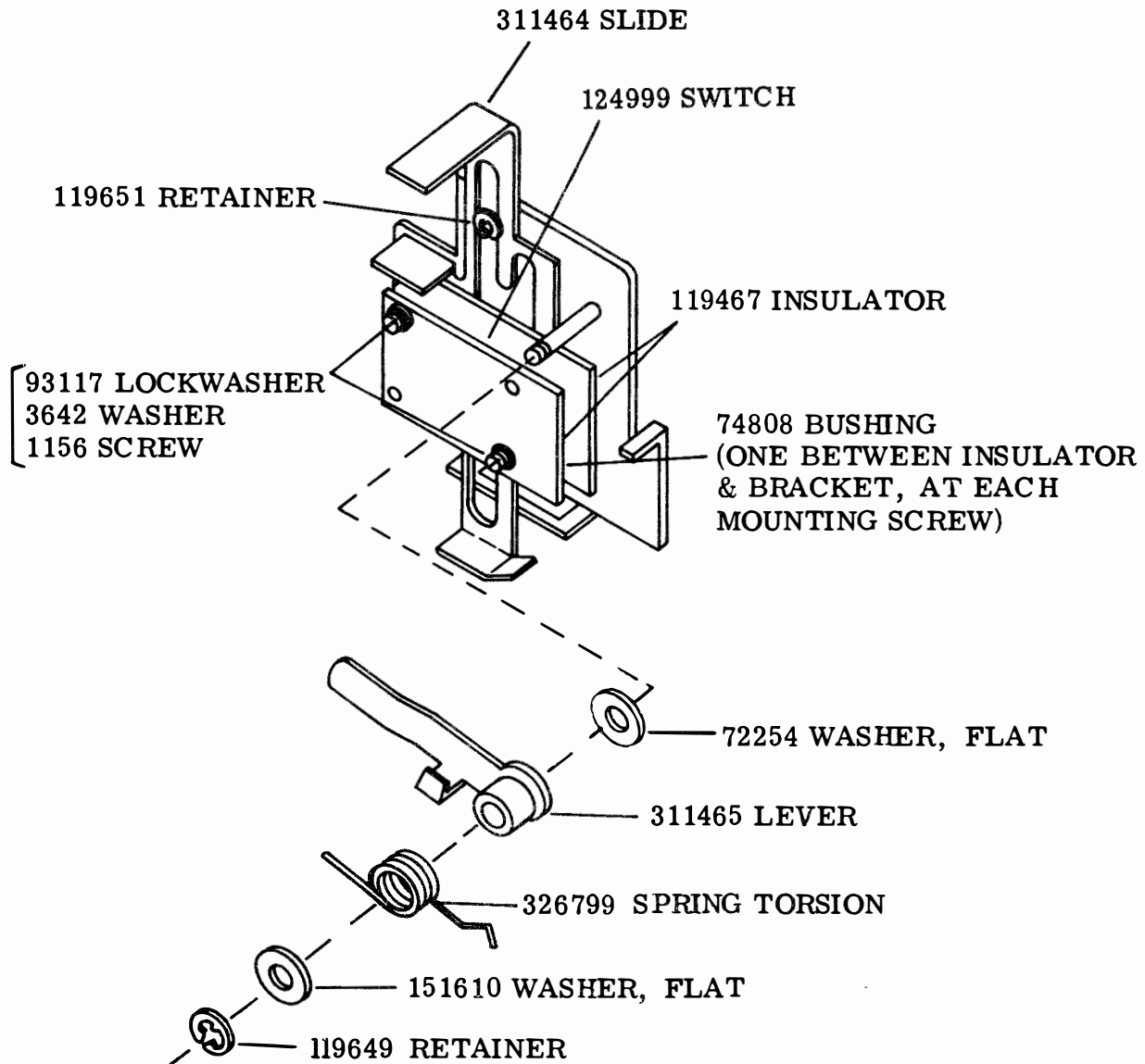
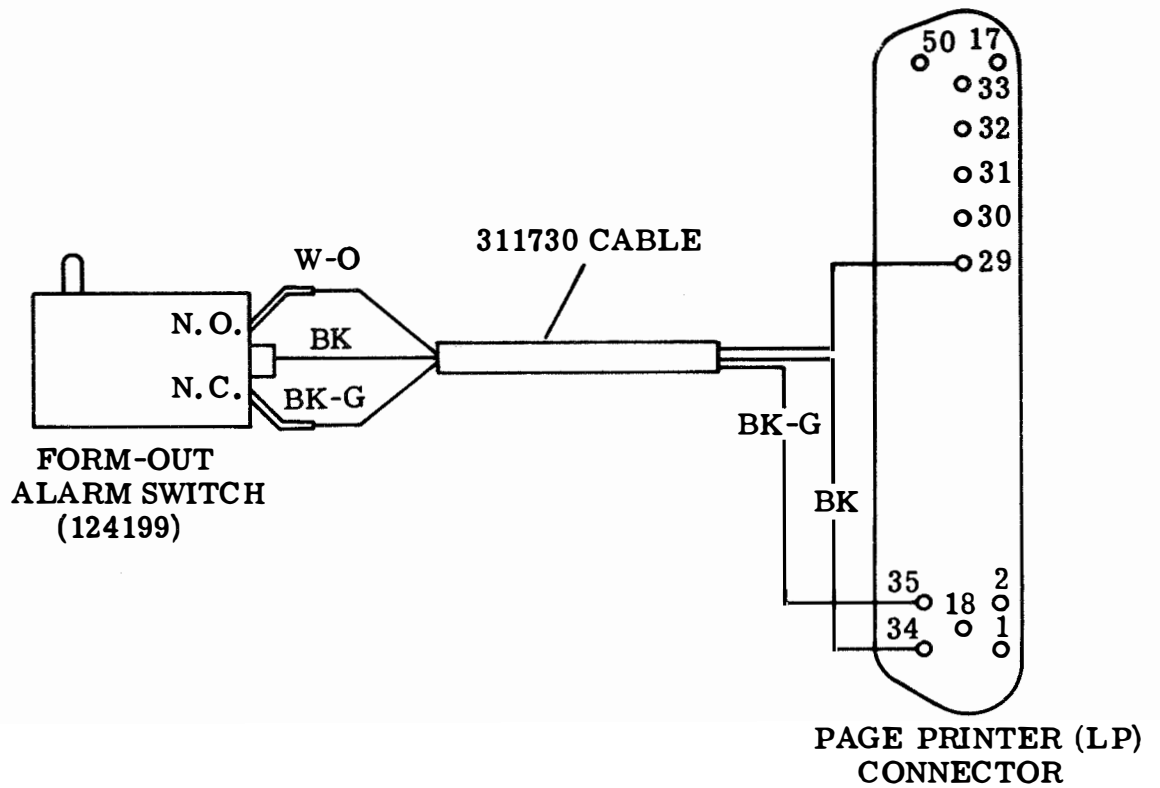


FIGURE 1

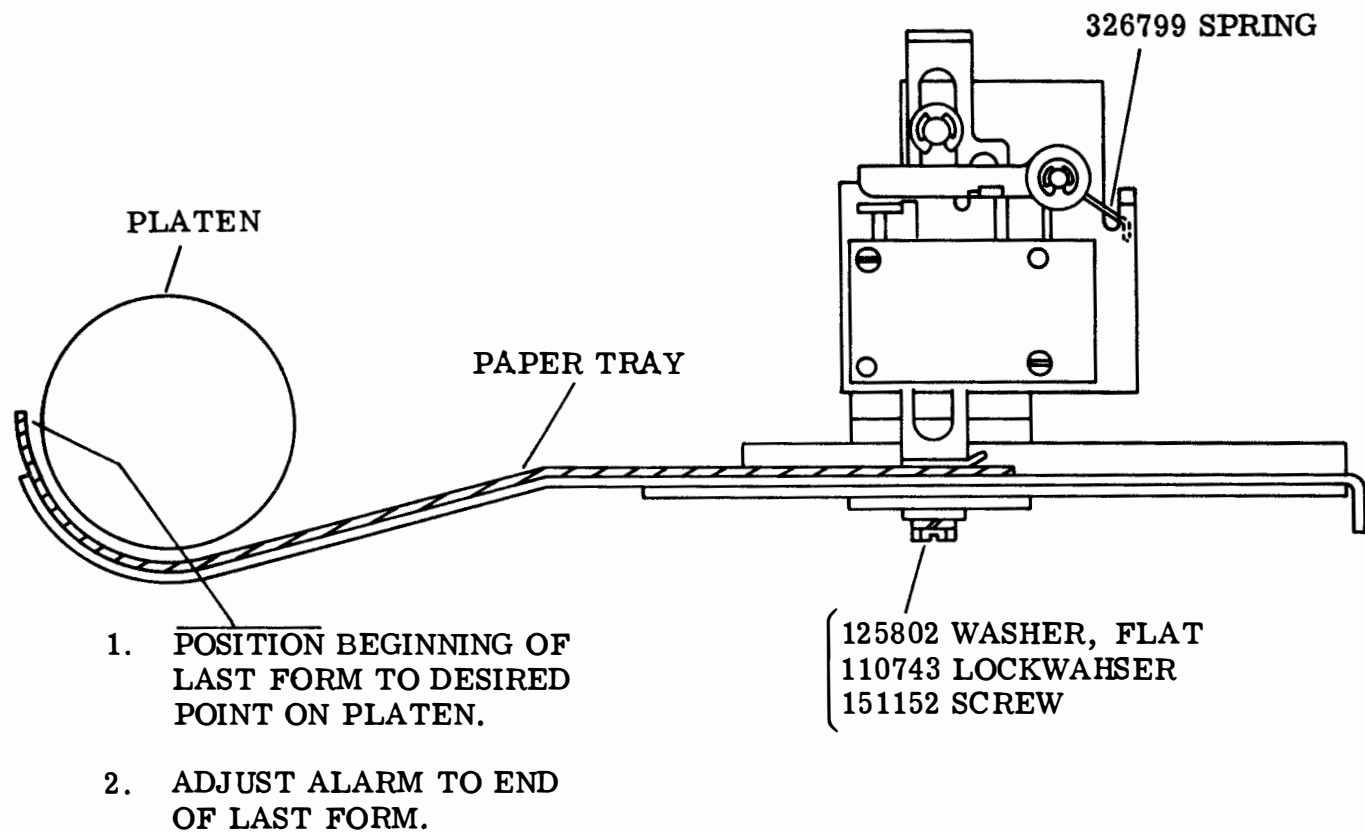


ROUTE CABLE ALONG HANDLE OF STUNT BOX AND TIE.  
 LEAVE ENOUGH SLACK SO THAT THE ALARM MAY BE ADJUSTED  
 FORWARD OR REARWARD.

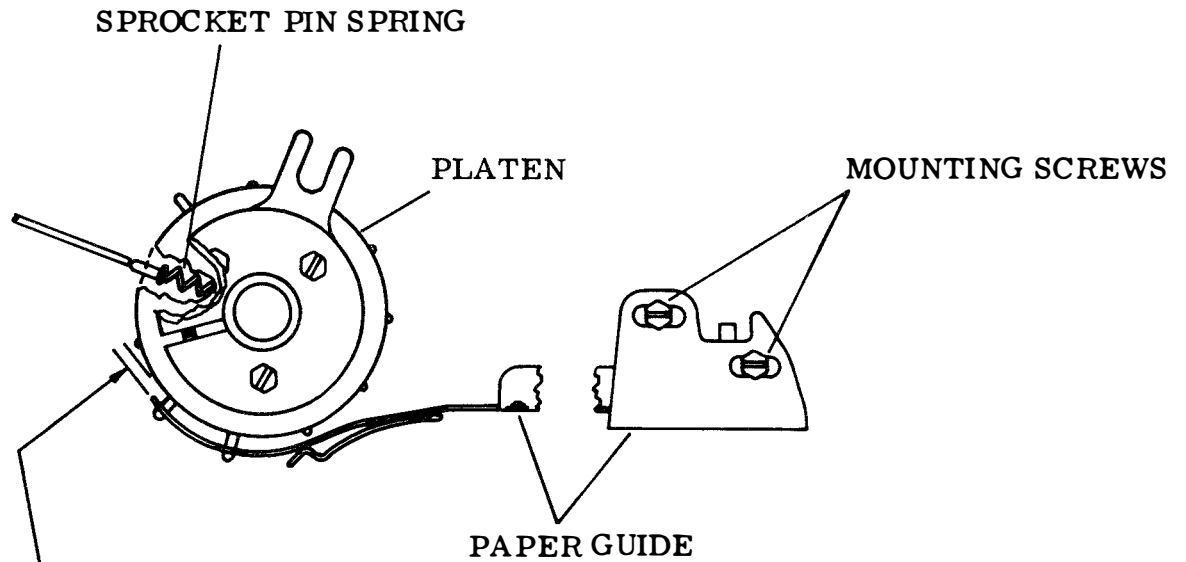
CABLE ROUTING

FIGURE 2

FIGURE 3



504685



(A) PAPER GUIDE  
REQUIREMENT

THE CLEARANCE BETWEEN THE PLATEN AND THE  
FRONT EDGE OF THE PAPER GUIDE SHOULD BE  
MIN 0.050 INCH  
MAX 0.105 INCH  
TO ADJUST  
POSITION THE GUIDE WITH ITS REAR  
MOUNTING SCREWS LOOSENED.

PAPER GUIDE ADJUSTMENT

FIGURE 4

