

INSTRUCTIONS FOR INSTALLING THE 160387 OR 160388
MODIFICATION KIT ON A MODEL 28 CABINET (LAAC)
TO PROVIDE A RELAY RACK BRACKET

The following information pertains to Bell System only

Unit	Teletype Code	Bell System Code
Cabinet	LAAC	28G**

1. GENERAL

a. The 160387 or 160388 Modification Kit when installed on a Model 28 Cabinet (LAAC) provides a relay rack bracket with 1-1/4" spacing between round mounting holes or with elongated holes for variable spacing respectively.

b. The 160387 or 160388 Modification Kit consists of:

			<u>160387</u>	<u>160388</u>
2	2191	Washer, Lock	X	X
*6	3646	Washer, Lock	X	X
2	3598	Nut	X	X
2	70314	Washer, Flat	X	X
2	115594	Nut, Speed (8-32)	X	X
6	121021	Screw	X	X
*6	83497	Washer, Flat	X	X
2	151632	Screw	X	X
16	153017	Nut, Speed (12-24)	X	X
4	160971	Bracket, Mounting	X	X
2	161360	Bracket Assembly (listed in paragraph 1c)	X	
2	161361	Bracket Assembly (listed in paragraph 1c)		X

c. The 161360 or 161361 Bracket Assembly consists of:

			<u>161360</u>	<u>161361</u>
2	2449	Washer, Lock	X	X
4	70886	Washer, Flat	X	X
2	125218	Nut	X	X
2	126986	Screw	X	X
1	159736	Bracket	X	X
1	160972	Bracket W/pads		X
1	160973	Bracket W/pads	X	

d. For part numbers referred to and for parts ordering information, see Teletype Model 28 Automatic Send-Receive Set (ASR) Parts Bulletin 1169B.

*2. INSTALLATION (Figure 1)

a. Install the 160387 or 160388 Modification Kit in the cabinet as shown in Figure 1. If necessary drill two holes for the 151632 Screws. Insert the 151632 Screws from under the shelf of the cabinet.

b. In the 161360 or 161361 Bracket Assembly, remove and place the 126986 Screws and 70886 Washers in the desired holes in the 159736 Brackets.

*

*

*

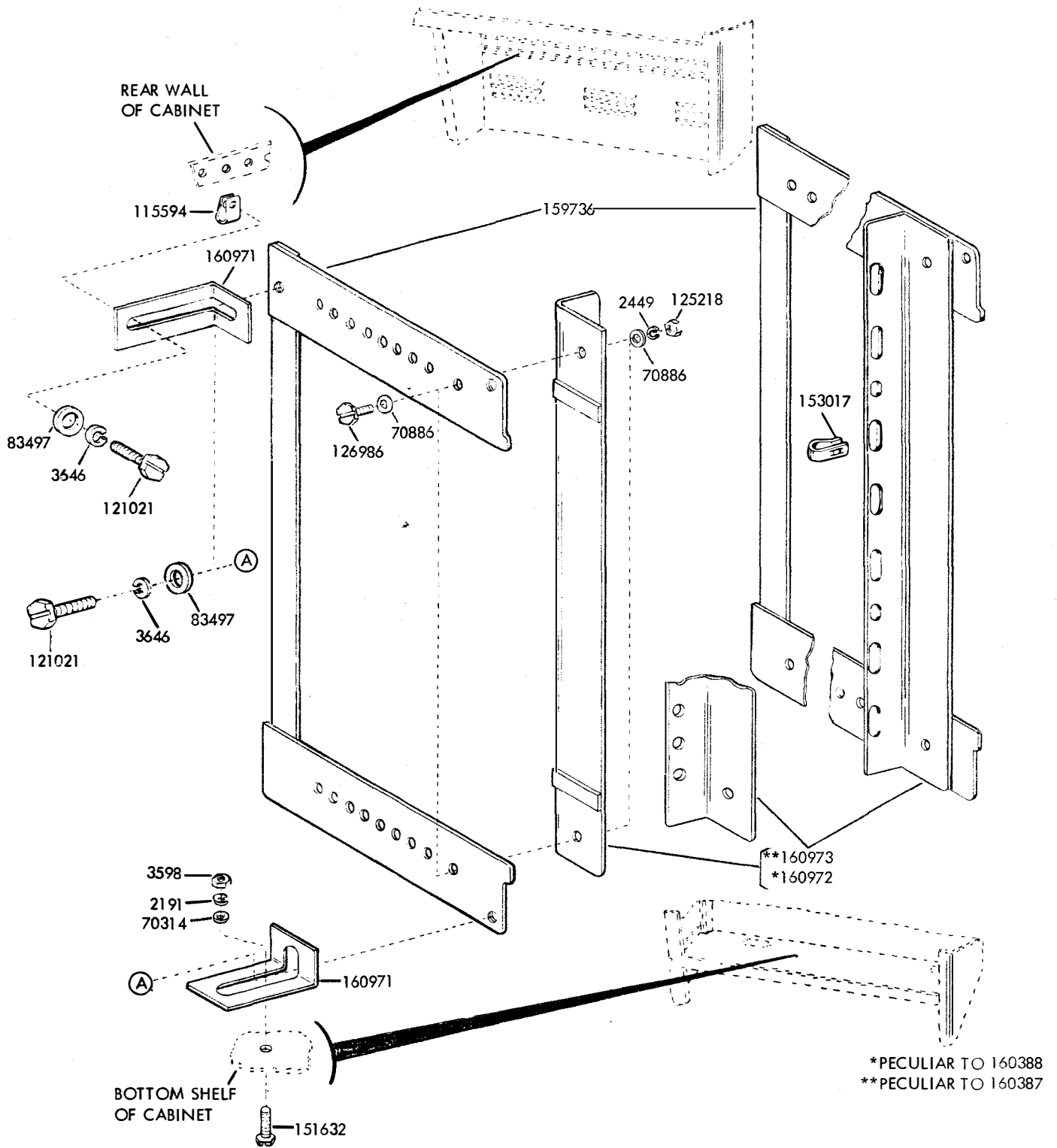


FIGURE 1. 160387 MODIFICATION KIT TO PROVIDE RELAY RACK BRACKETS WITH 1-1/4" SPACING BETWEEN ROUND MOUNTING HOLES.

160388 MODIFICATION KIT TO PROVIDE RELAY RACK BRACKETS WITH ELONGATED HOLES FOR VARIABLE SPACING (PART OF BELL SYSTEM 28G** CABINET)

Teletype Corporation
Skokie, Illinois, U.S.A.

Addendum to Specification 5915S
Issue 5, Dated July, 1962

ADDENDUM TO SPECIFICATION 5915S, ISSUE 5,
DATED JULY, 1962 COVERING KITS 160387
AND 160388

1. Make the following changes:
 - a. On page 1, para. 1.b. change the 121021 Screw to the 124612 Screw.
 - b. On Figure 1, change 121021 Screw to 124612 Screw.

*

*

*

RTTY ELECTRONICS
TELETYPE=Sales-Service-Parts
PO Box 20101 El Sobrante, Ca.
94820. (510)222-3102
mr_rtty@pacbell.net

Printed in U.S.A.