

INSTRUCTIONS FOR MODIFICATION OF THE LINE PORT CABLE  
USED ON THE BASIC 43 TELEPRINTER TO PROVIDE  
"SIMPLIFIED EIA" OPERATION

1. GENERAL

1.01 This specification provides the information necessary to modify an EIA cable to accommodate "Simplified EIA" (RS-232-C) operation where control leads between the terminal and remote device, such as a computer, are not utilized.

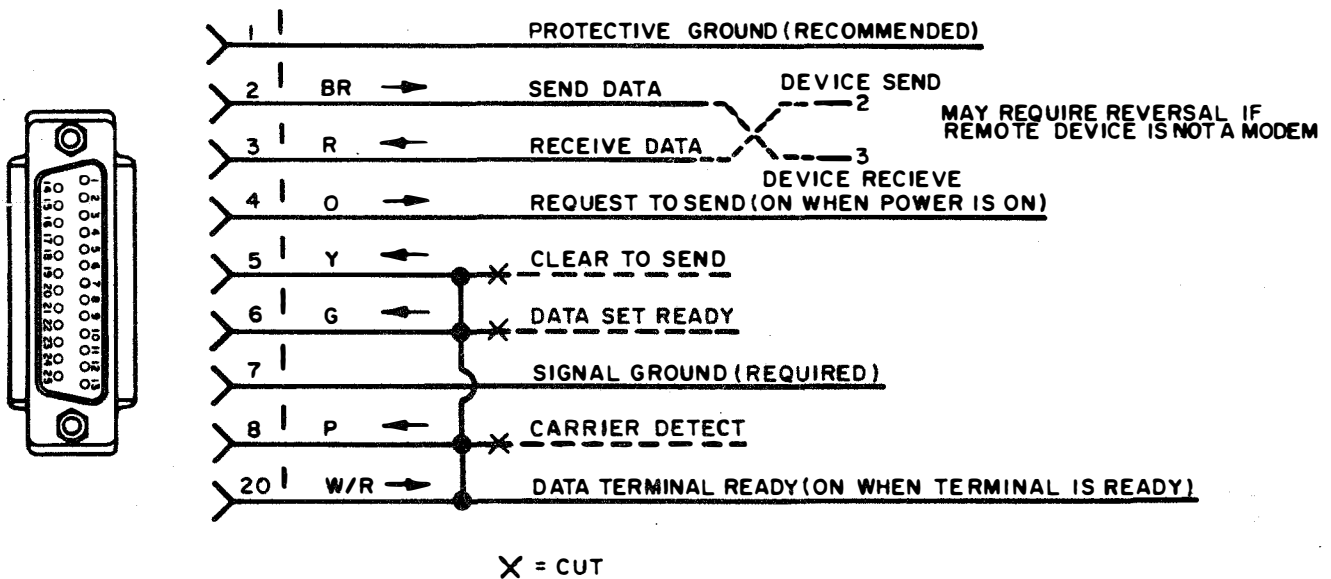
1.02 In order for the terminal to send and receive data it must be in the Data mode ie, DATA key lights steadily. Terminal can go to Data mode when it is ready ie, no alarms (cover closed and

paper present/not low), power is on and not in Local mode (key on KSR keyboard).

2. MODIFICATION

2.01 The modification consists of rewiring the "line port" end of the EIA cable as shown below.

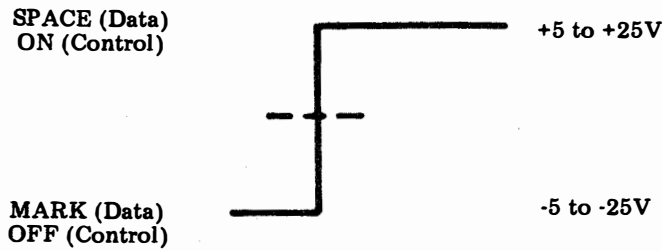
2.02 The color codes apply only to Teletype Corporation cables (refer to installation Manual 368 or 373 for part numbers) and the arrows show the direction of data flow or control.



RTTY ELECTRONICS  
TELETYPE=Sales-Service-Parts  
PO Box 20101 El Sobrante, Ca.  
94820. (510)222-3102  
mr\_rtty@pacbell.net

©1983 by Teletype Corporation  
All rights reserved  
Printed in U.S.A.

SPECIFICATION 51095S



EIA Interface Voltages

2.03 Cut conductors from remote device (at "X" on diagram) when Pins 5, 6, and 8 are locally strapped. However, one or all of these control leads may be turned on by the external device (desireable for unattended operation) instead of the local strap ie, other configurations than that shown above may be used.

2.04 If it is necessary to interchange leads on a recommended Teletype Corporation EIA cable, a 341983 contact tool should be used

to extract (red end of tool) and to insert (white end of tool) the pins at the "wire" end of connector.

*Note:* When ordering replaceable parts or components, unless otherwise specified, prefix each part number with the letters "TP" (ie, TP410055).