

INSTRUCTIONS FOR INSTALLING THE PAPER DEFLECTOR AND GUIDES  
ON THE 42/43 TRACTOR FEED TELEPRINTER

1. GENERAL

1.01 This specification provides the information necessary to install a new paper deflector and to install and adjust the paper guides on the 42/43 tractor feed teleprinter.

1.02 The parts consist of a 454742 left guide, 454743 right guide, and 454744 deflector.

1.03 The paper deflector is 13 inches long instead of 9 inches and made of a special plastic to reduce static and the guides facilitate proper alignment of forms with the tractors. (For paper skewing, use teflon based spray on platen.)

1.04 The parts may be installed by customer or field service personnel according to instructions provided.

*Note:* When ordering replaceable components, unless otherwise specified, prefix each part number with the letters "TP" (ie, TP410746).

2. TOOLS REQUIRED

2.01 The following common tools are required to install the paper deflector and the two paper guides.

- 1 - 1/4-inch screwdriver, flat, w/6 inch blade
- 1 - 1/4-inch nut driver

3. INSTALLATION

3.01 Remove the bustle from the teleprinter by removing the two rear mounting screws. See Figure on Page 2.

3.02 Remove the old 430390 paper deflector from the bustle. Retain the two 430492 mounting screws for use with the new deflector.

3.03 Install the left and right paper guides by pressing them on to the new paper deflector. The tabs on the paper guides face each other when installed. (May be installed after deflector is mounted to bustle, if desired).

3.04 Install the new paper deflector with paper guides, positioned as shown using the two 430492 screws.

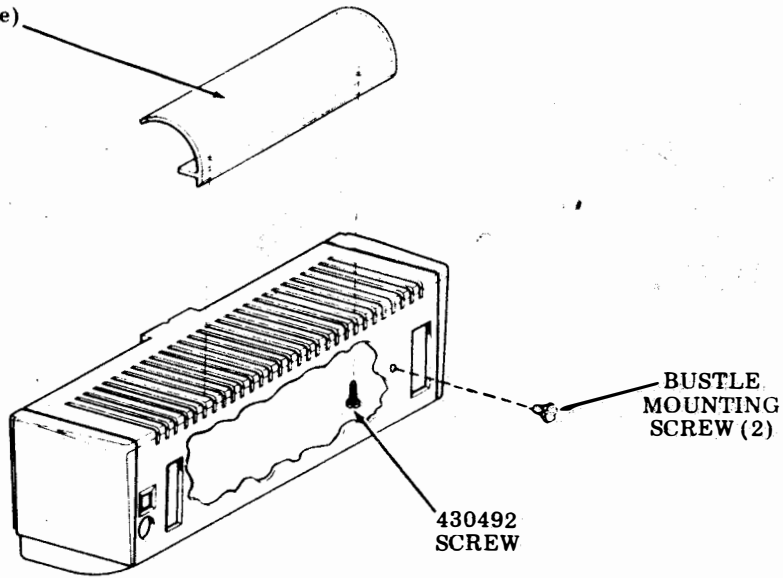
3.05 Install the bustle with deflector and guides onto the teleprinter.

3.06 Install the paper. (Refer to the How To Operate manual or instructions under the cover).

3.07 Determine the aligned paper position by grasping both incoming and outgoing forms together and pulling upward and to the rear removing any slack. Position the paper guides to approximately 1/32-inch from the left and right edge of the aligned paper.

*Place This Instruction In Associated HTO*

430390  
Paper Deflector  
(Old Style)



454744  
Paper Deflector  
(New Style)  
May already  
be installed.

