

INSTRUCTIONS FOR INSTALLING 408680 MODIFICATION KIT THAT
 PROVIDES A REDESIGNED PAPER-OUT ACTUATOR FOR MODEL 40,
 80-COLUMN TRACTOR FEED PRINTER

1. GENERAL

1.01 This modification kit provides the parts necessary to convert a Model 40, 80-column tractor feed printer with a beryllium copper actuator to a redesigned wire form actuator.

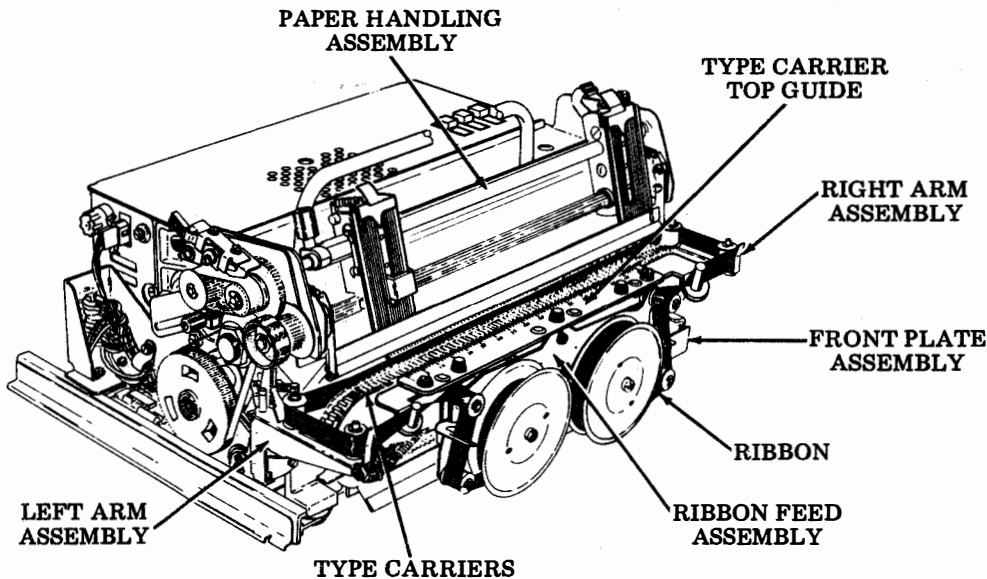
1.02 The 408680 modification kit consists of the following parts:

<u>Qty</u>	<u>Part No.</u>	<u>Description</u>
1	408676	Lever, paper-out
1	408677	Bracket, mounting

2. INSTALLATION

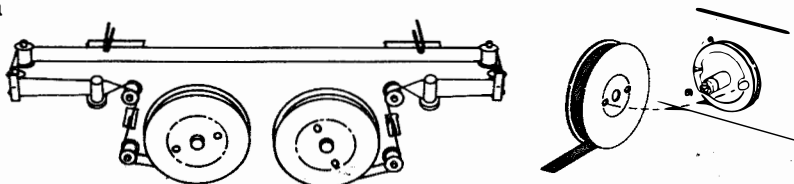
DANGER: REMOVE ALL POWER FROM THE SET BEFORE PERFORMING ANY DISASSEMBLY AND INSTALLATION.

- Remove printer from the cabinet and place on a suitable working surface.



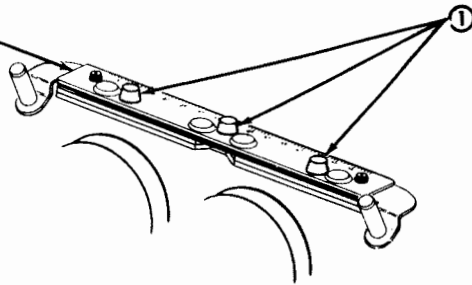
Ribbon -- Removal

① The ribbon spools rest on nylon drive pins. Pull outward to remove. Remove ribbon and spools, save if the ribbon is in good condition.



Top Guideplate Assembly -- Removal

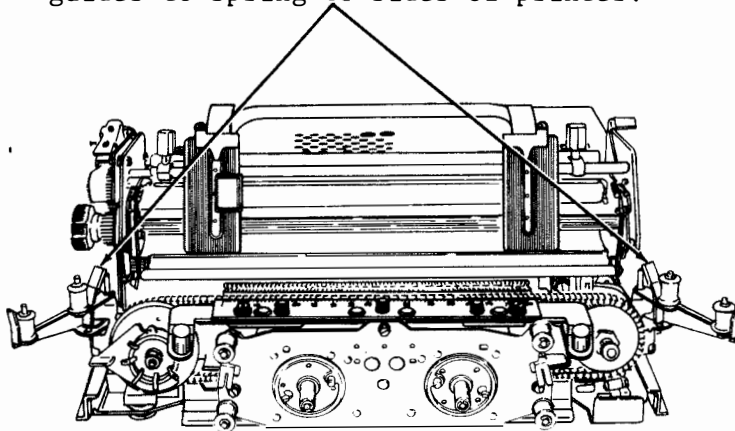
CARRIER TOP GUIDE
(Tractor Feed)



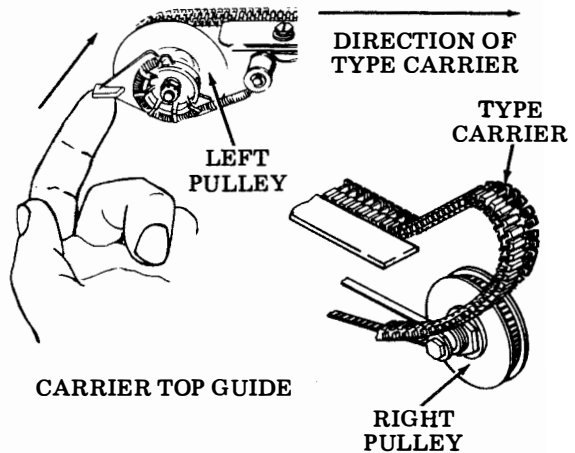
① Loosen three thumbscrews and lockwashers securing carrier top guide and remove guide, retain.

Type Carrier -- Removal

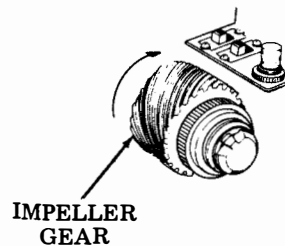
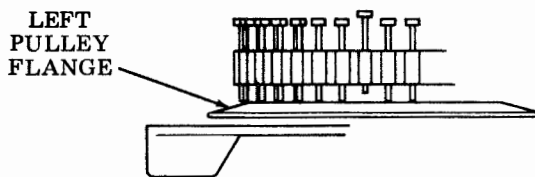
① Release thumb levers on left and right ribbon guide brackets allowing guides to spring to sides of printer.



② Lift finger lever on left pulley and hold. Remove type carrier starting at right pulley as shown. Release finger lever, retain.



Note: In reassembling, start type carrier at the left pulley. Rotate type carrier one revolution by turning impeller gear by hand clockwise. At the same time, align any protruding type pallets against the left pulley flange.

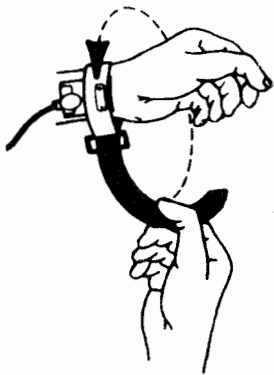


WARNING: DAMAGE TO THE TYPE CARRIER OR PRINTER WILL RESULT IF ANY PROTRUDING TYPE PALLET IS LEFT UNCHECKED.

410640 Circuit Card Assembly -- Removal

- Place printer on back side.

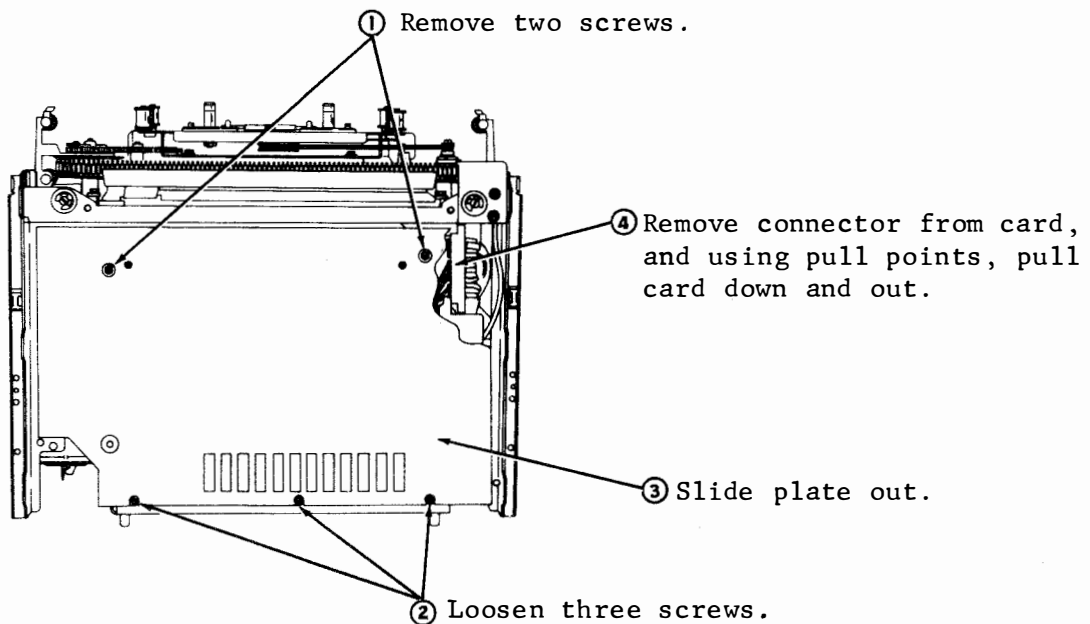
WARNING: TO AVOID POSSIBLE INTERNAL DAMAGE TO CIRCUITRY, WEAR A 346392 STATIC DISCHARGE STRAP CONNECTED TO GROUND TO ALLOW STATIC DISCHARGE BEFORE HANDLING 410640 CIRCUIT CARD FOR REMOVAL OR REPLACEMENT. AVOID TOUCHING CIRCUIT LANDS OR COMPONENTS AS MUCH AS POSSIBLE.



Attach static ground strap tightly to wrist as shown.



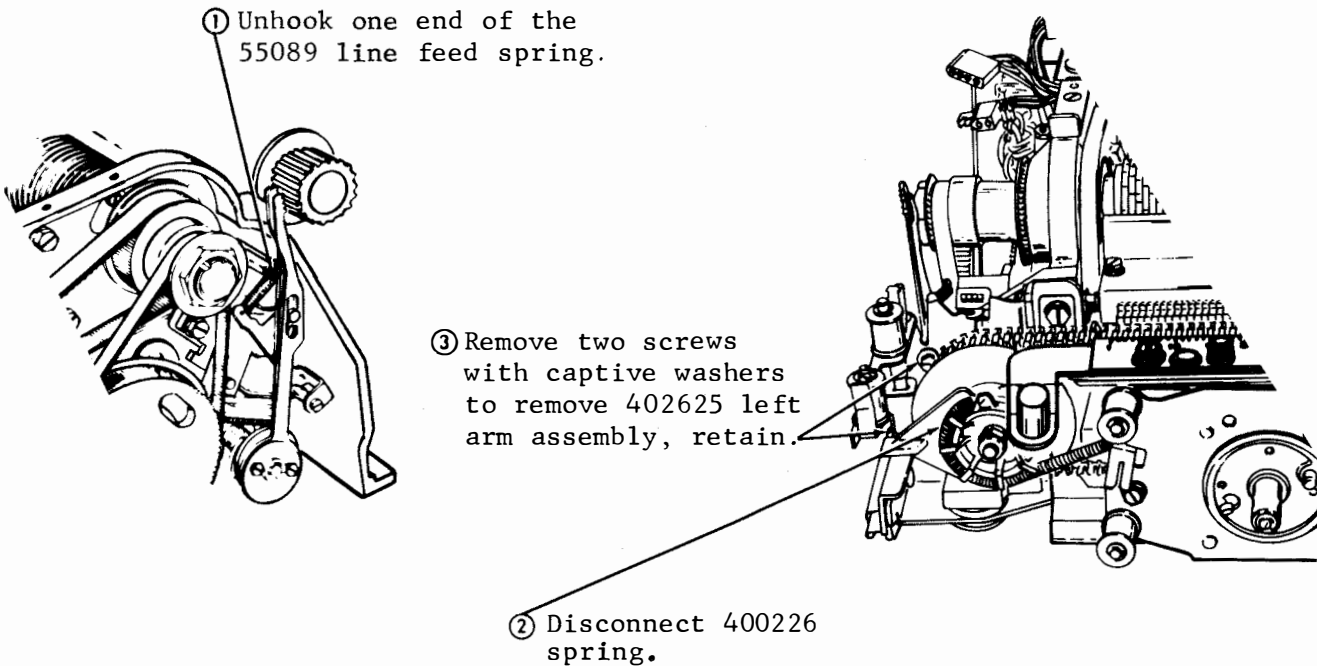
Attach clip end of static discharge strap to frame ground.



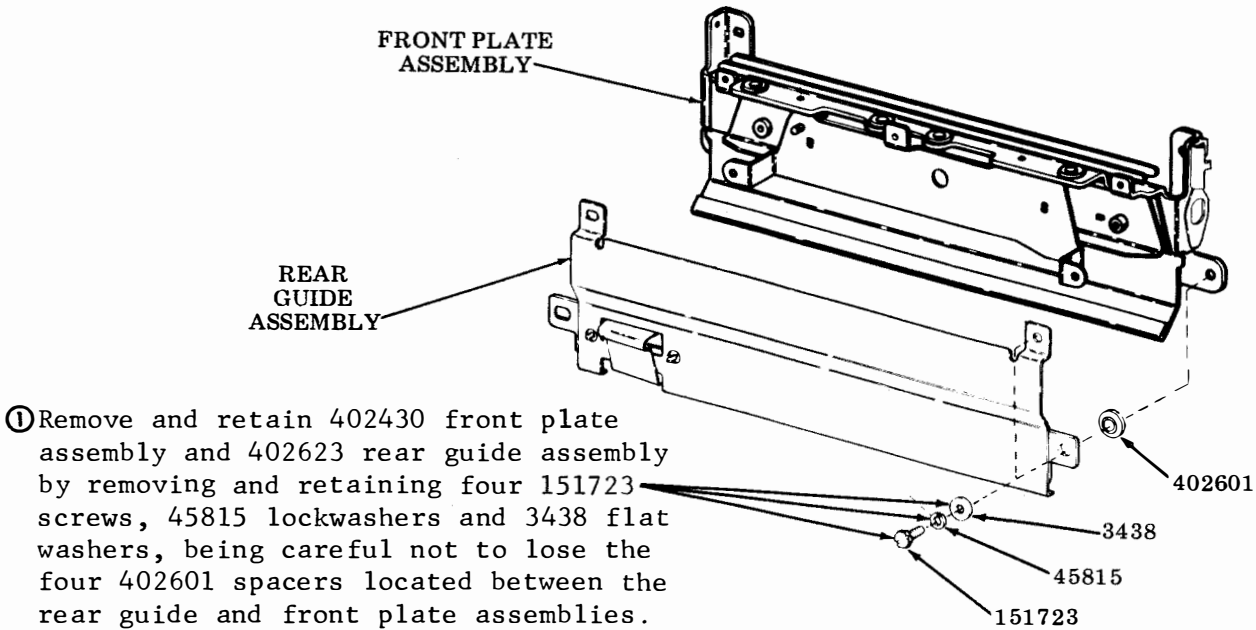
Note: When replacing the 410640 circuit card, check the IMPELLER SHAFT SENSOR and FLAG SENSOR adjustments (Final). Refine if necessary, refer to Manual 355.

Left Arm Assembly -- Removal

- Place the printer in a vertical position with the ribbon mechanism facing up.

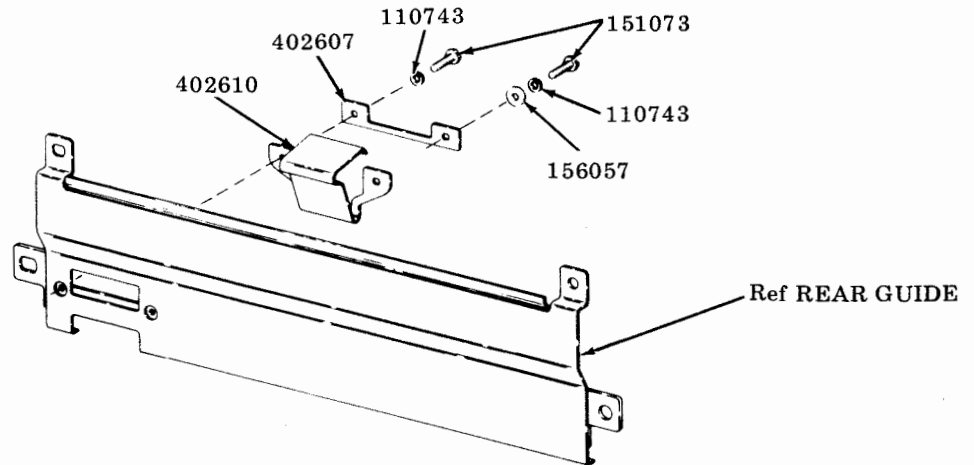


Front Plate and Rear Guide Assemblies -- Removal

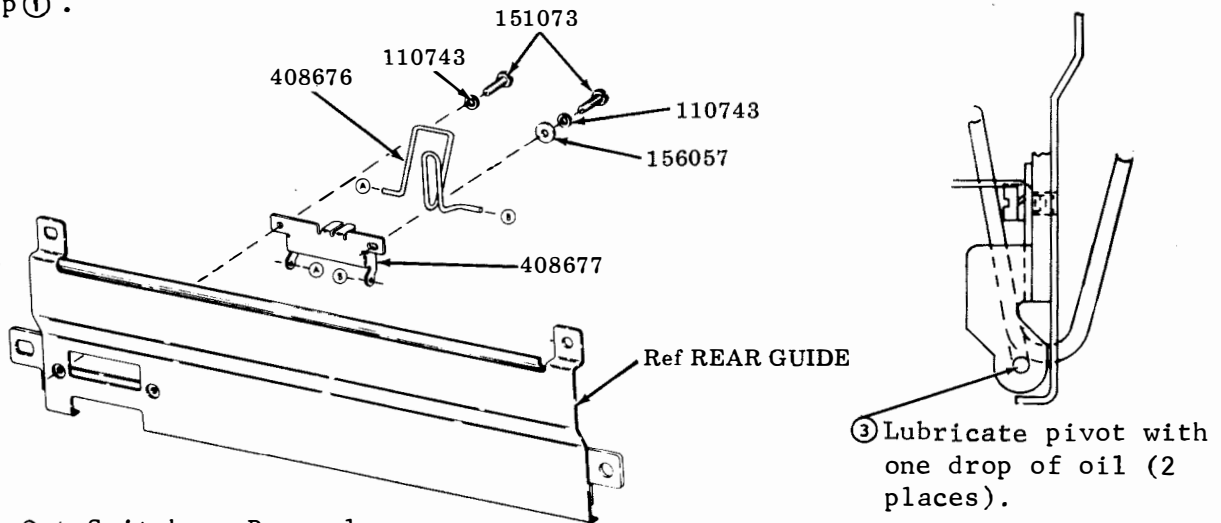


Spring and Clamp -- Removal

① Remove and discard 402610 spring and 402607 spring plate. Retain hardware.

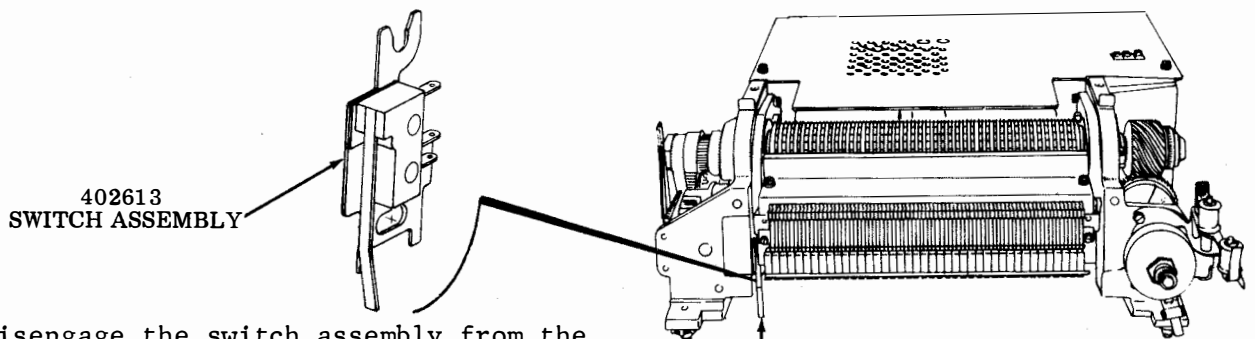


② Mount the 408677 bracket and 408676 lever as shown, using hardware retained from Step ①.



Paper-Out Switch -- Removal

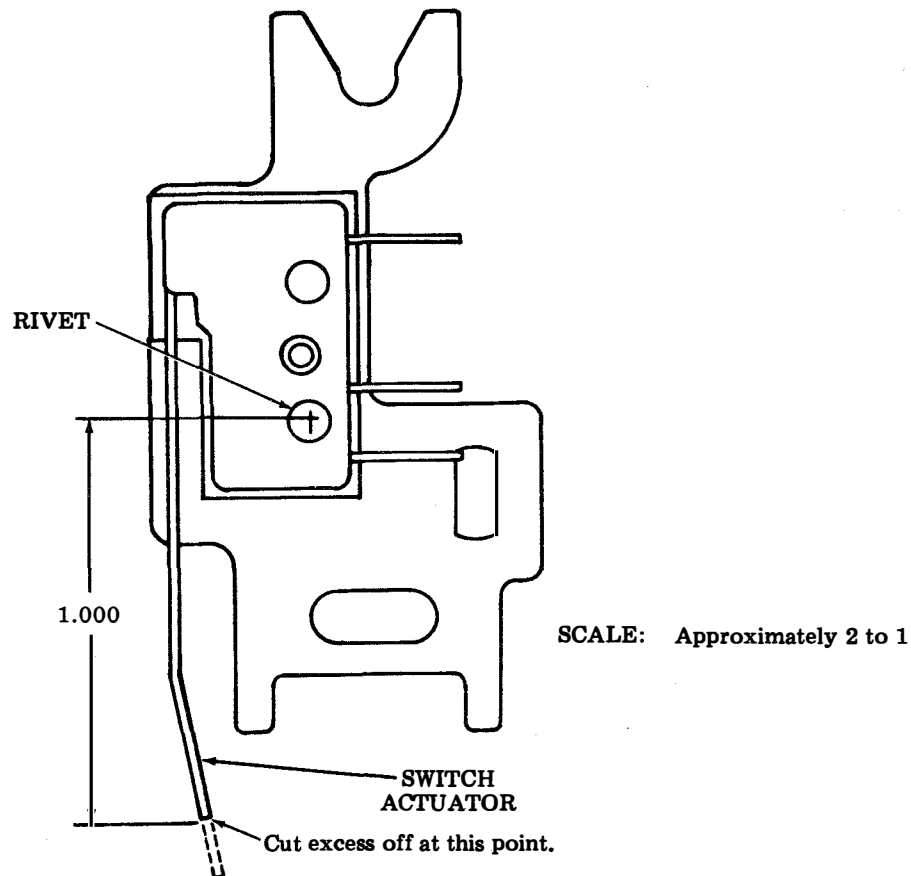
CAUTION: DUE TO MOUNTING SCREW BEING LOCATED CLOSE TO THE END ARMATURE, CARE SHOULD BE EXERCISED WHEN REMOVING AND REPLACING THE SWITCH ASSEMBLY.



② Disengage the switch assembly from the pivot by carefully pulling the assembly toward the bottom and removing.

① Remove and retain the lower screw and adjusting pry plate.

- ③ Cut the switch actuator per dimension shown, measuring one inch down from the rivet. Replace the switch assembly and leave the mounting screw friction tight.



• Reassemble by reversing removal procedures:

- (1) Front plate and rear guide assemblies.
- (2) Left arm assembly.

• Do PAPER-OUT SWITCH adjustment.

Requirement (1)

With a flat plate over the opening in the paper guide, and the paper-out actuator biased against the flat plate, a lamp should be on or an ohmmeter should show a closed circuit.

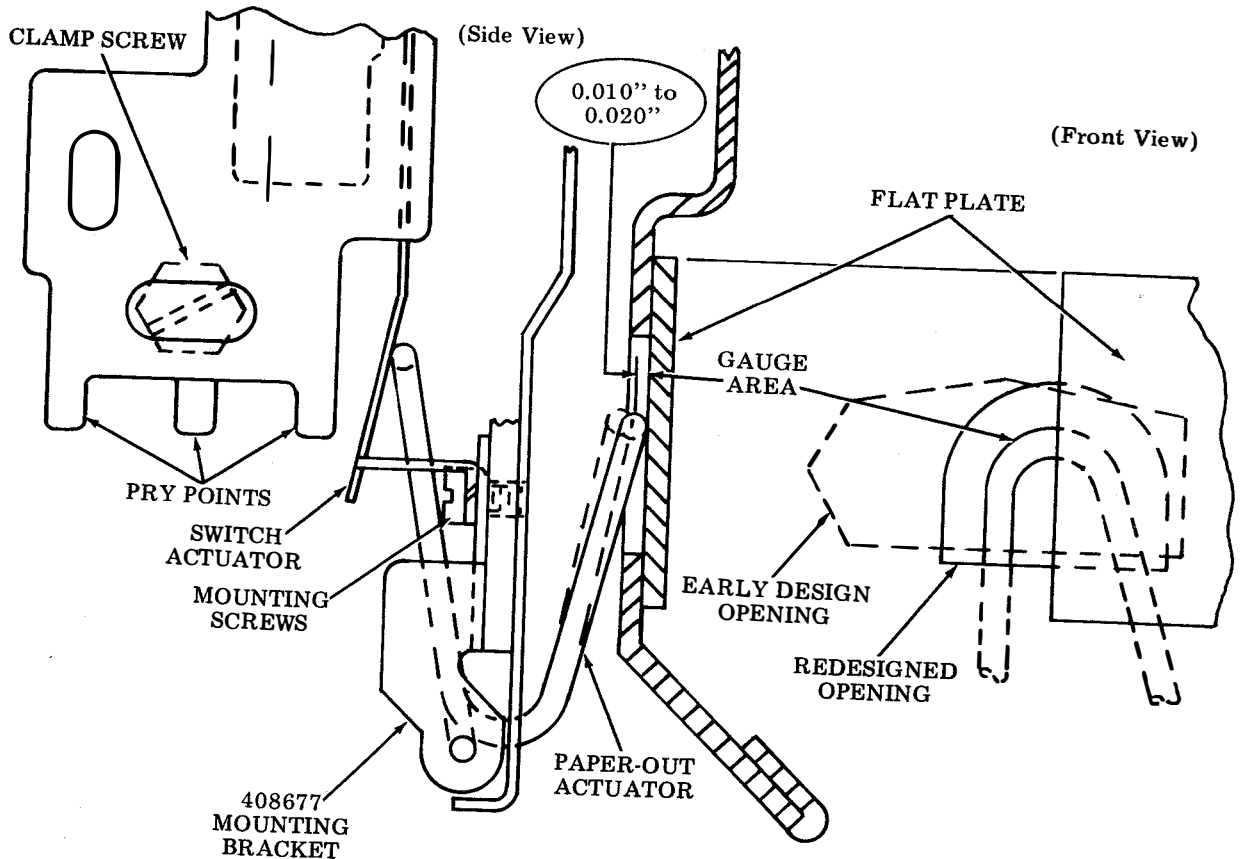
Requirement (2)

With the flat plate positioned over the paper-out actuator, passing a 0.010 inch to 0.020 inch gauge between the actuator and plate should cause the lamp to go off or an ohmmeter should show an open circuit.

Note: The lamp should be on or an ohmmeter should show a closed circuit when the flat plate is both positioned over the opening and removed from the opening after the requirements have been met. To make this adjustment, place the lamp or ohmmeter across pins 1 and 3 of connector J114, with circuit card in or terminals 10 and 11 of J3 with circuit card out.

To Adjust

With the clamp screw friction tight, position the switch so the lamp is off or an ohmmeter shows an open circuit. With the flat plate over the opening, position the switch to meet the requirements.



- (3) 410640 circuit card assembly.
- (4) Type carrier.

Note: Prior to installation of the carrier, the type pallets should be reseated with 402878 gauge.

- (5) Top guideplate assembly.
- (6) Ribbon.