

BELL SYSTEM PRACTICES
Teletypewriter and Data Stations

SECTION P34.603
Issue 1, July, 1958
AT&TCo Standard

28B TRANSMITTER-DISTRIBUTOR UNIT

LUBRICATION

Contents	Par. No.
1. GENERAL	1.01
2. GENERAL LUBRICATION INSTRUCTIONS ..	2.01-2.04
3. GENERAL LUBRICATION VIEWS	3.01-3.03
4. DETAILED LUBRICATION INSTRUCTIONS.	4.01-4.17
5. REFERENCE TO BELL SYSTEM PRACTICES	5.01

1. GENERAL

1.01 This section contains the lubrication procedures for the maintenance of the 28B transmitter-distributor unit. General lubrication instructions are given in Part 2, and Part 3 presents general lubrication views of the unit. The details of lubrication are described in Part 4.

1.02 The 28B transmitter-distributor unit is designed for use with the 82B1 teletypewriter switching system and consists of a pivoted transmitter, a fixed transmitter, and a distributor.

2. GENERAL LUBRICATION INSTRUCTIONS

2.01 The 28B transmitter-distributor unit should be lubricated before it is placed in service in accordance with the principles given in Section P33.014. After that, because of varying conditions at each station, the unit should be lubricated as often as specified by local instructions. The following lubrication schedule may be used as a guide.

<u>Operating Speed</u>	<u>Lubrication Interval</u>
60 wpm	3000 hours or 1 year*
75 wpm	2400 hours or 1 year*
100 wpm	1500 hours or 6 months*

*Whichever occurs first.

**28B TRANSMITTER
DISTRIBUTOR**

**UNIT
LUBRI-
CATION**

P34.603

Page 1

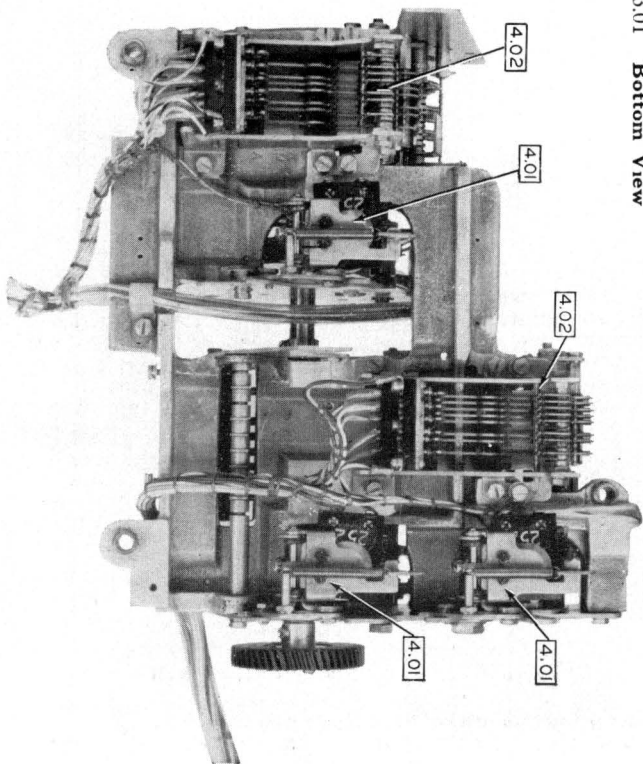
2.02 The lubricants and methods of lubrication are those specified in Section P30.011. The lubrication symbols used herein are the same as those given in that section. However, the simple symbol 0, which according to Section P30.011 indicates one or two drops of oil, is used in this section to mean only one drop of oil. Symbols, such as 02, 03, and 020, specify that two, three, or twenty drops of oil respectively, should be applied at the parts indicated.

2.03 The following general instructions supplement the specific points of lubrication which are illustrated in Part 4, Detailed Lubrication Instructions.

- (1) Lubricate all spring eyes with one drop of oil.
- (2) Cam surfaces and all sliding surfaces are to be lightly oiled.
- (3) All pivot points are to be oiled.
- (4) All felt oil retainers (felt lubricating washers and wicks) are to be saturated with oil.
- (5) The gears are to be covered with a light coat of grease. Overlubrication, however, which would permit oil or grease to drip or be thrown on other parts should be avoided. Special care should be taken to prevent oil or grease from getting on any contact point face.

2.04 The 28B transmitter-distributor unit should be lubricated as indicated in the figures in Part 4, Detailed Lubrication Instructions. The photographs in that part show the paragraph numbers referring to particular line drawings of mechanisms on the unit. Parts in the line drawings are shown in an upright position unless otherwise specified.

3. GENERAL LUBRICATION VIEWS
3.01 Bottom View

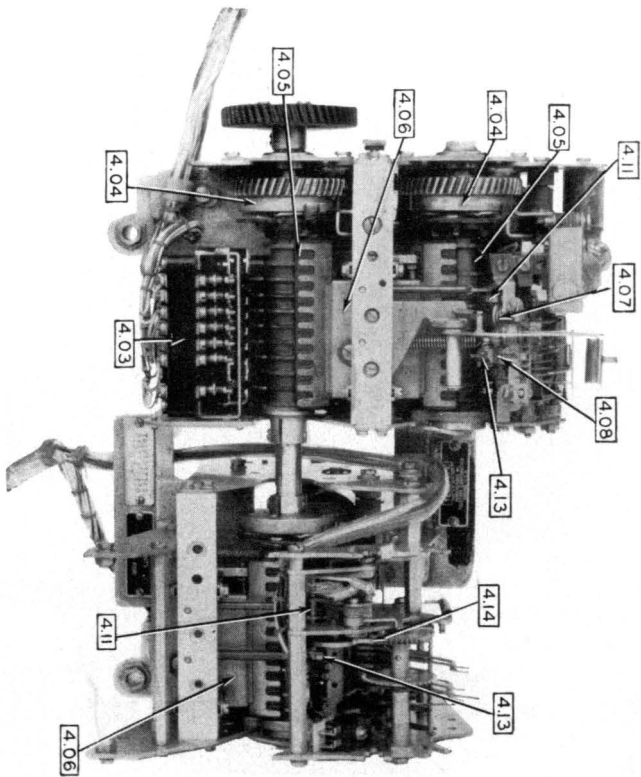


28B TRANSMITTER
DISTRIBUTOR
UNIT
LUBRI-
CATION

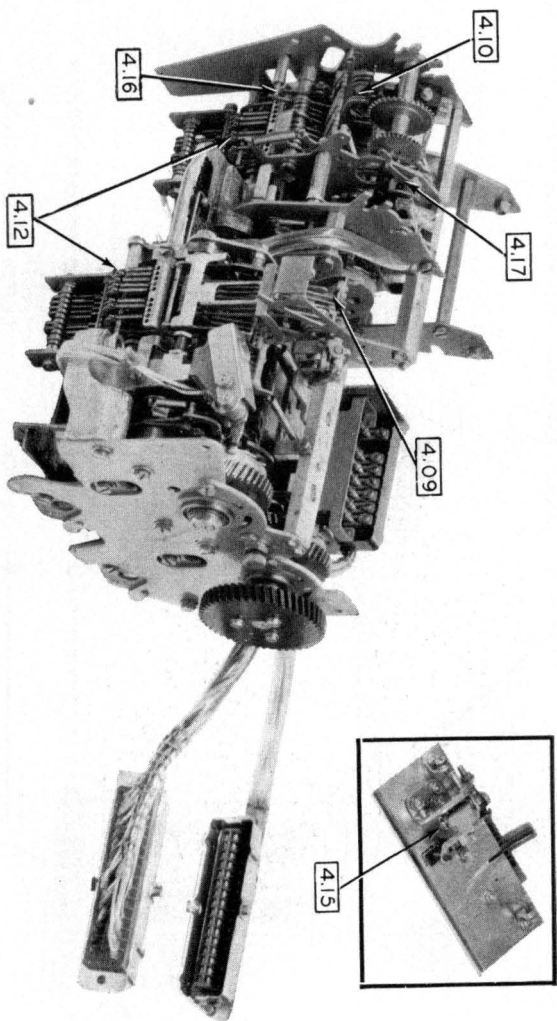
P34.603

Page 3

3.02 Top View



3.03 Side View



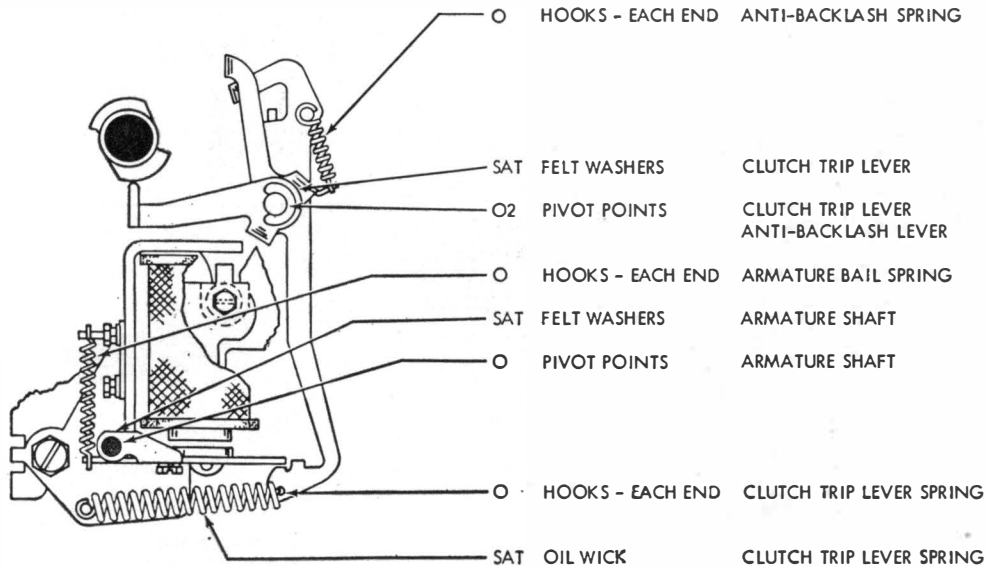
28B TRANSMITTER
DISTRIBUTOR
UNIT
LUBRI-
CATION

P34.603

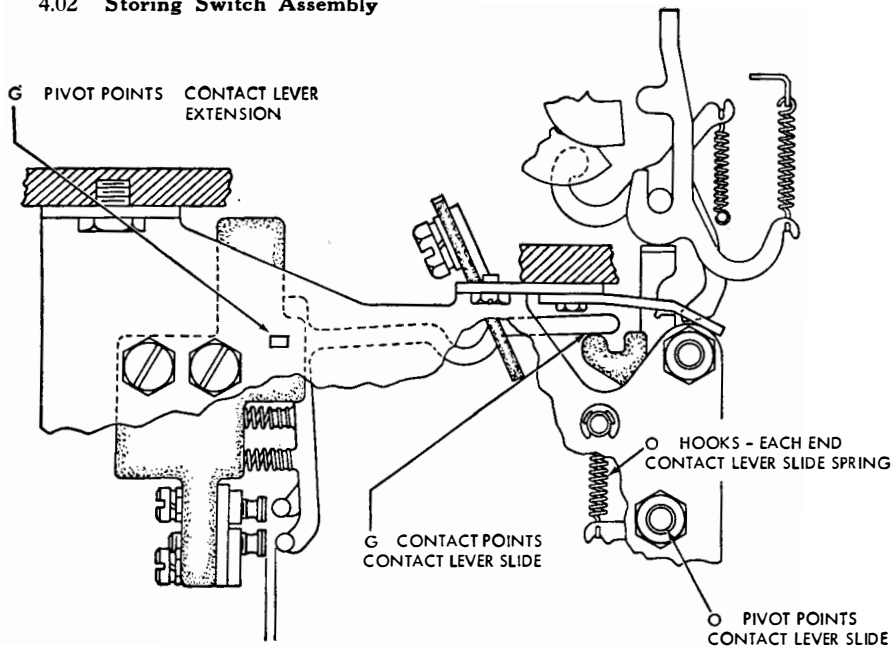
Page 5

4. DETAILED LUBRICATION INSTRUCTIONS

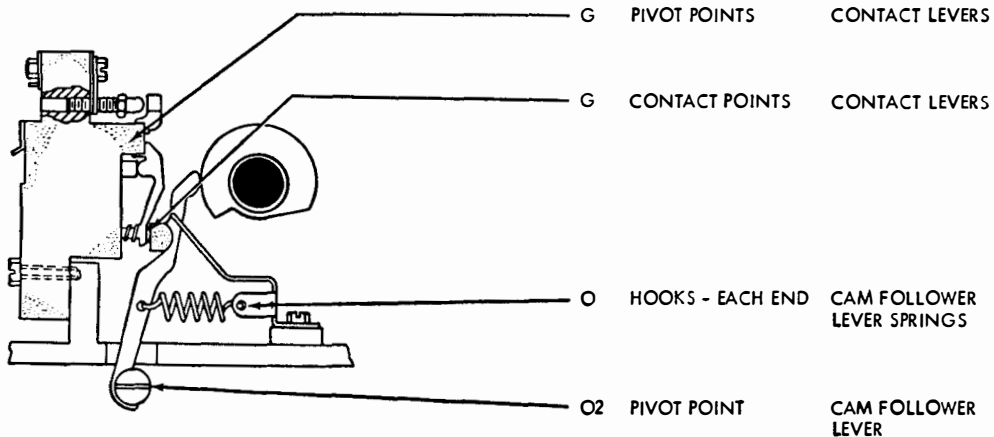
4.01 Clutch Trip Assemblies



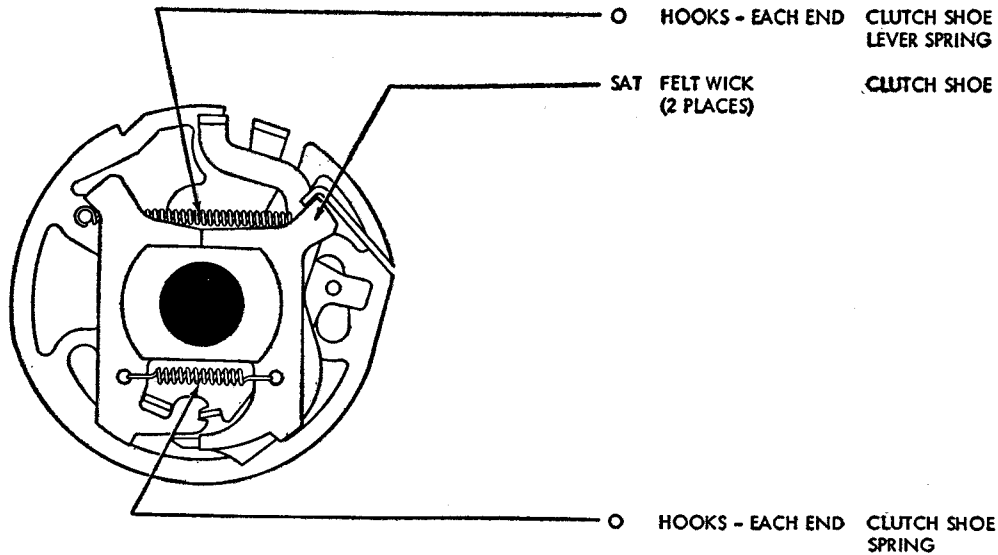
4.02 Storing Switch Assembly



4.03 Distributor Block Assembly



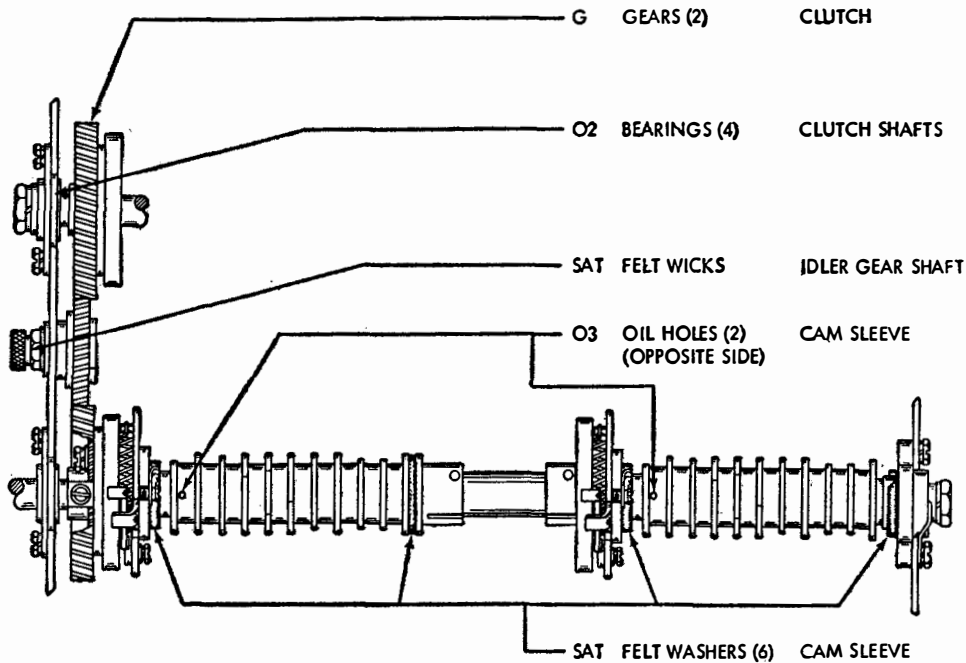
4.04 Clutch Assemblies



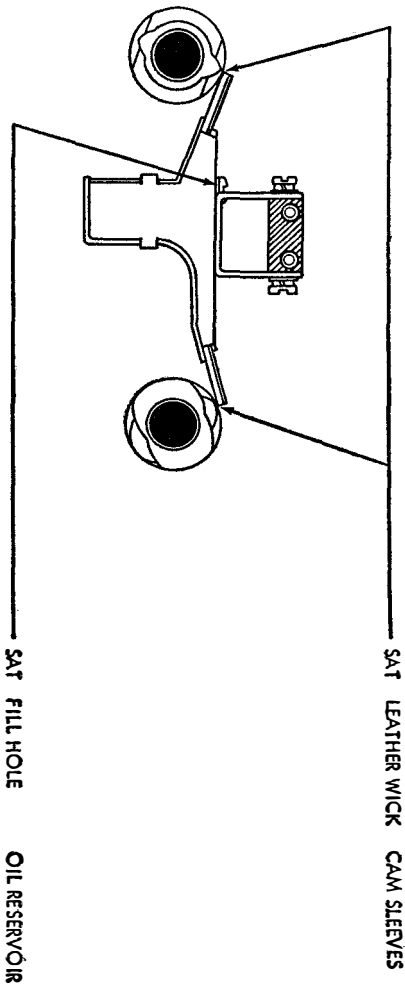
28B TRANSMITTER
DISTRIBUTOR
UNIT
LUBRI-

P34.603

4.05 Cam Sleeve Assemblies



4.06 Oil Reservoir Assemblies

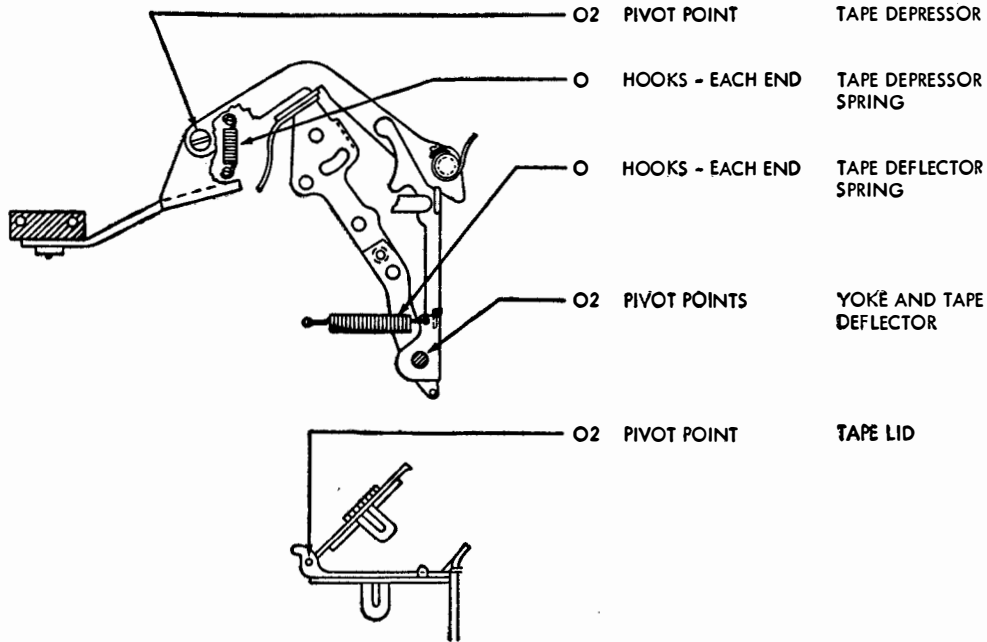


28B TRANSMITTER
DISTRIBUTOR

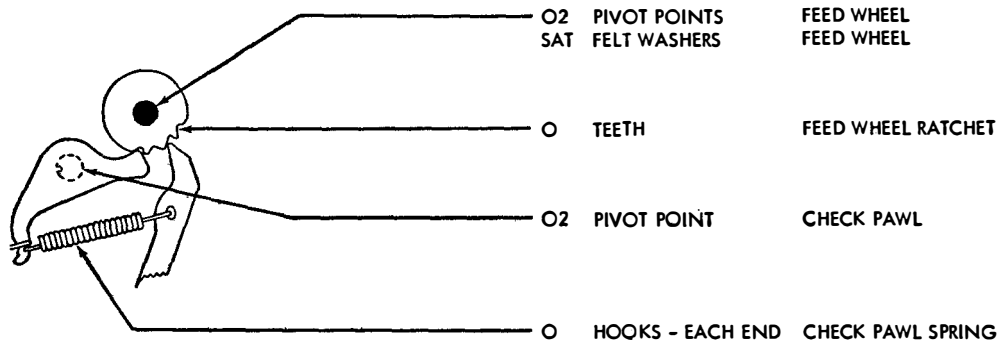
P34.603

UNIT
LUBRI-
CATION

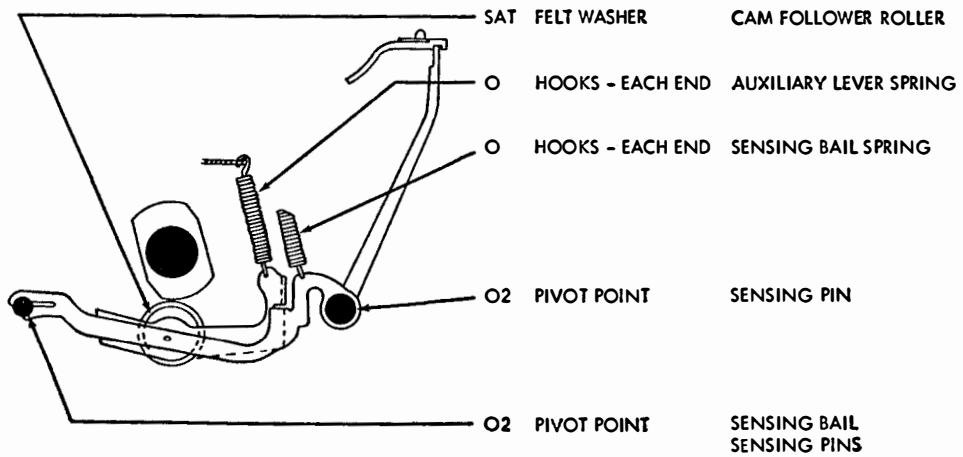
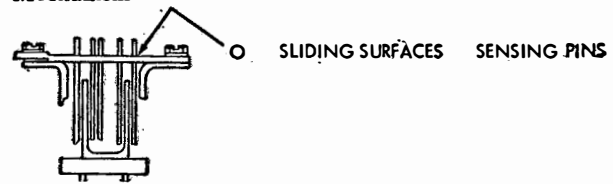
4.07 Pivoted Sensing Head



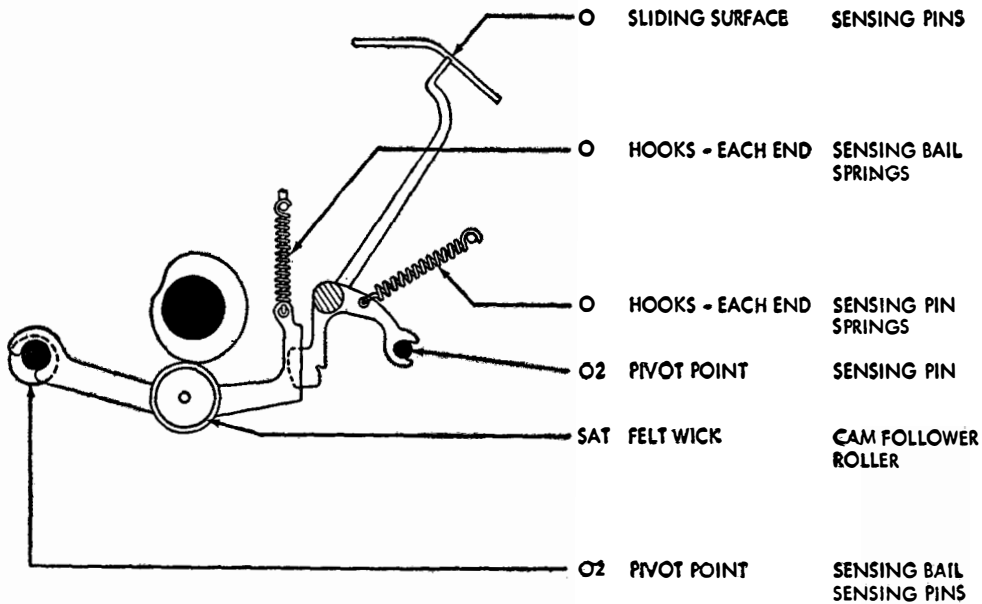
4.08 Check Pawl and Feed Wheel



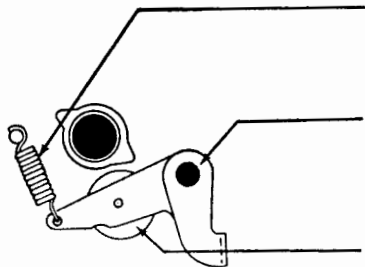
4.09 Pivoted Sensing Mechanism



4.10 Fixed Sensing Mechanism



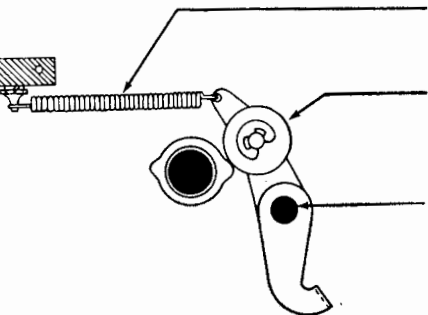
4.11 Sensing Mechanism



O HOOKS - EACH END PUSHER STRIPPER BAIL SPRING

O2 PIVOT POINT PUSHER STRIPPER BAIL

SAT FELT WASHER CAM FOLLOWER ROLLER

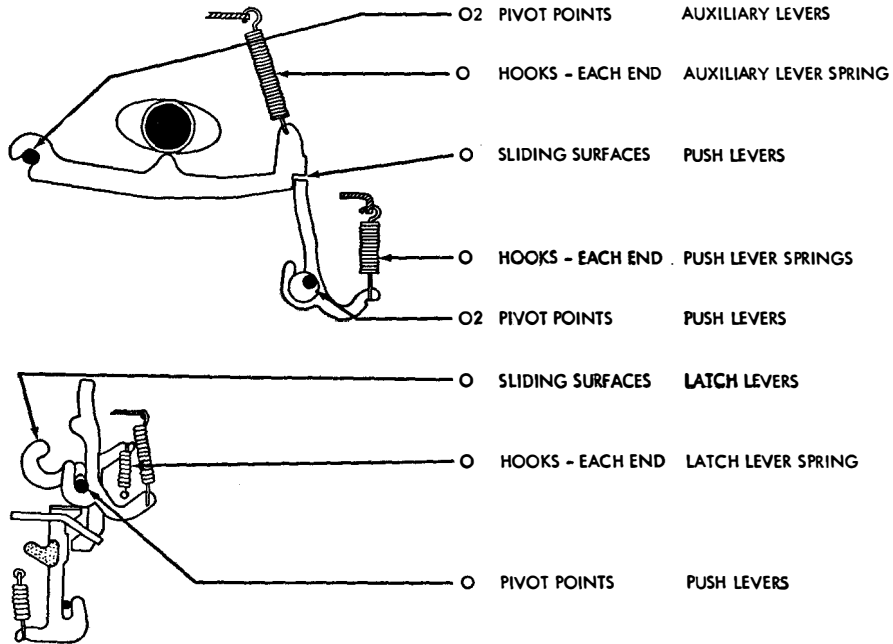


O HOOKS - EACH END LATCH STRIPPER BAIL SPRING

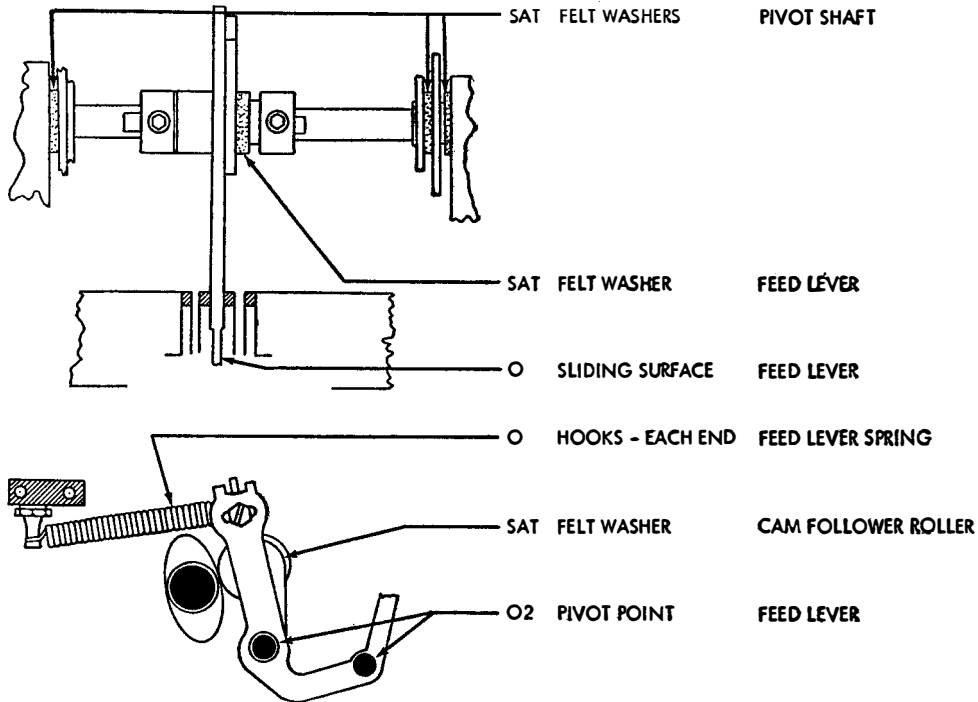
SAT FELT WASHER CAM FOLLOWER ROLLER

O2 PIVOT POINT LATCH STRIPPER BAIL

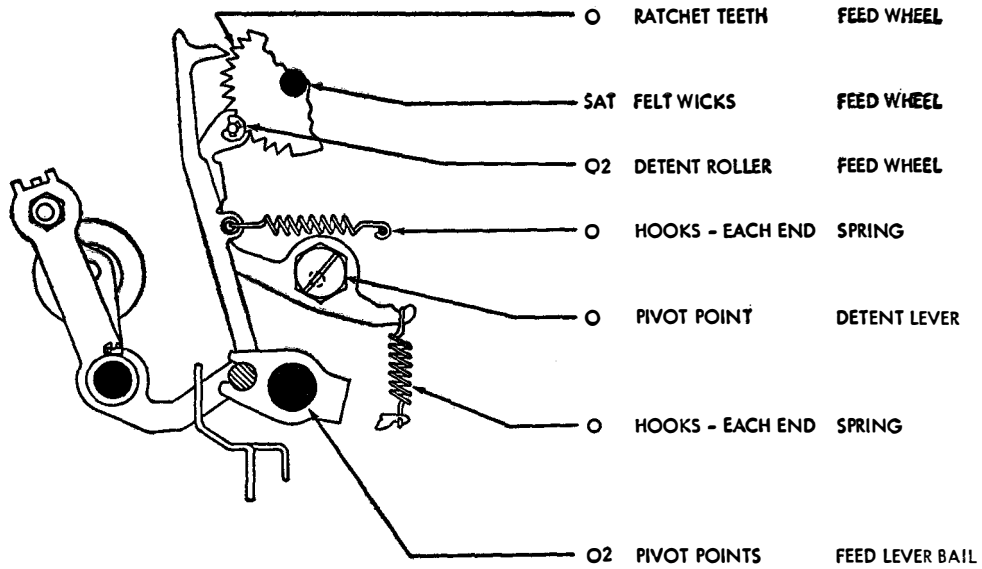
4.12 Sensing Mechanisms



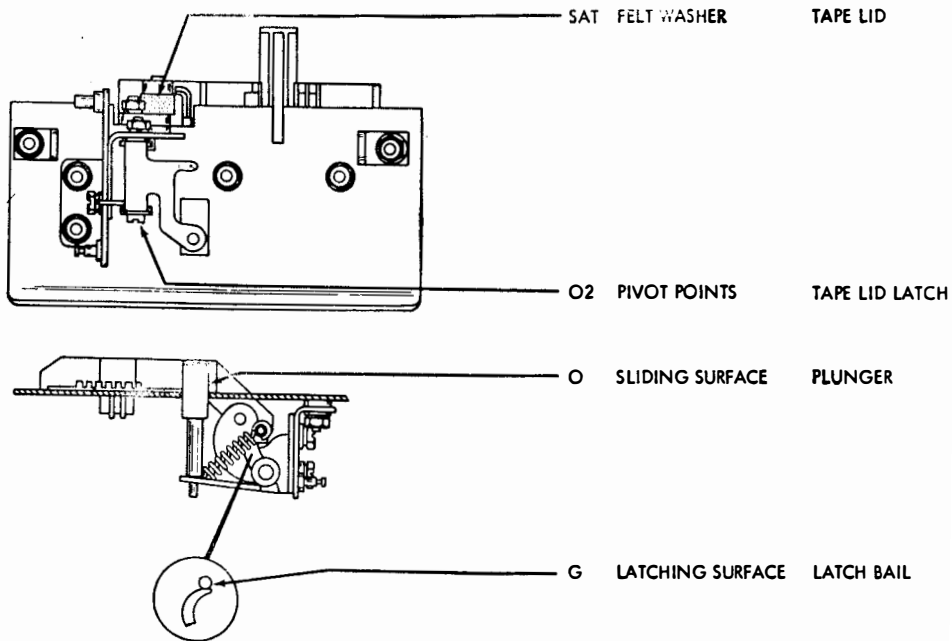
4.13 Feed Mechanism



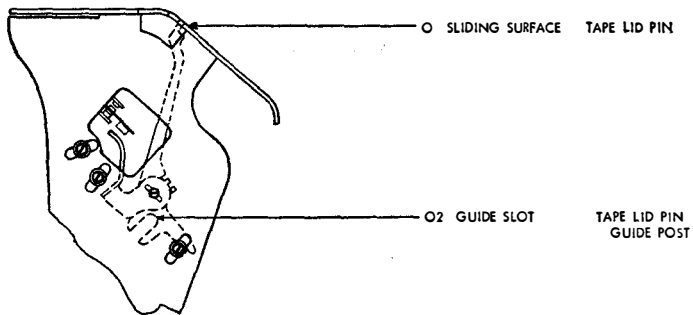
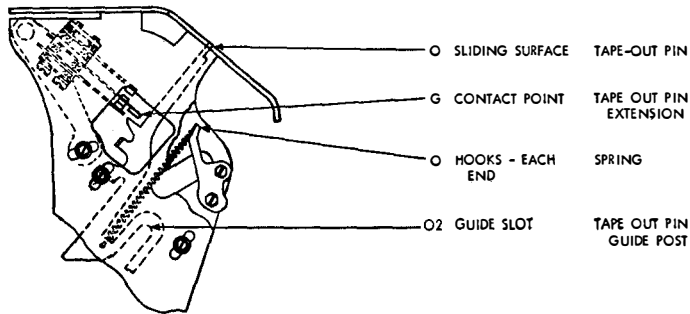
4.14 Feed Mechanism



4.15 Tape Lid and Tape Guide



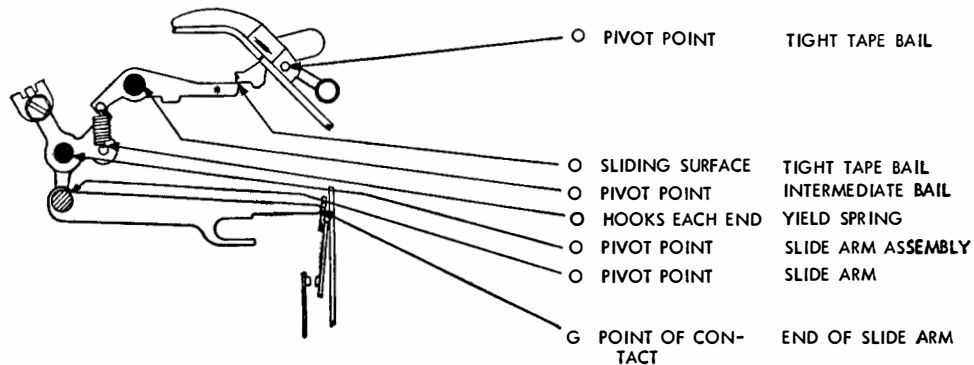
4.16 Tape-Out and Tape Lid Mechanism



28B TRANSMITTER
 DISTRIBUTOR
 UNIT
 LUBRI-
 CATION

P34.603

4.17 Tight Tape Sensing Mechanism



5. REFERENCE TO BELL SYSTEM PRACTICES

5.01 The following Bell System Practices contain information which applies to the 28B transmitter-distributor unit.

<u>Subject</u>	<u>Section</u>
Teletypewriter Apparatus, General Requirements and Procedures	P30.012
Teletypewriter Apparatus, Lubrication, General Requirements	P30.011
Teletypewriter Apparatus, Preparation of Apparatus for Installation	P33.014
28B Transmitter-Distributor Unit, Requirements, Procedures, and Disassembly	P34.632

