

DATASPEED TAPE TO TAPE SYSTEM

TYPE 1 AND TYPE 2 RECEIVER CABINETS AND TAPE PUNCHES

SCHEMATIC AND ACTUAL WIRING DIAGRAMS

CONTENTS	PAGE
1. GENERAL	1
2. INDEX	2

1. GENERAL

1.01 This section is reissued to omit the wiring diagrams for the DATASPEED automatic answer mechanism, and to change the title. The omitted wiring diagrams appear in Section 592-800-400 and Section 592-800-401.

1.02 The wiring information contained in this section pertains to receiver cabinets 1B and 2B, tape punches 1B, 2B, and 2B special for use with 1B, 2B, and special 2B tape receiver sets.

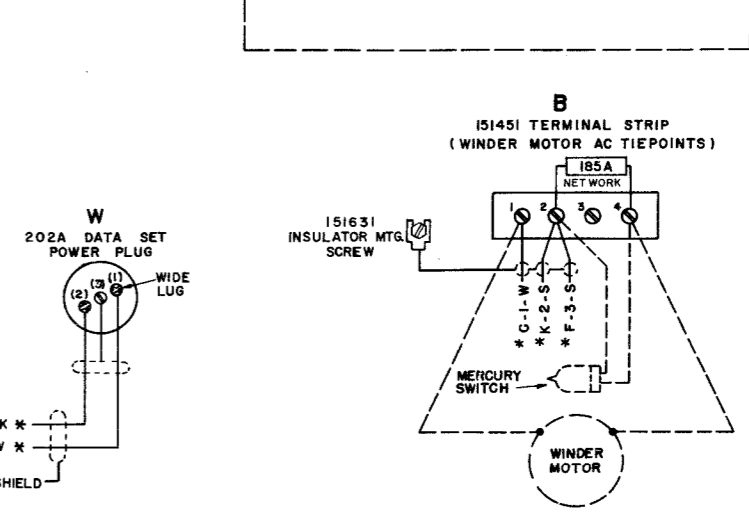
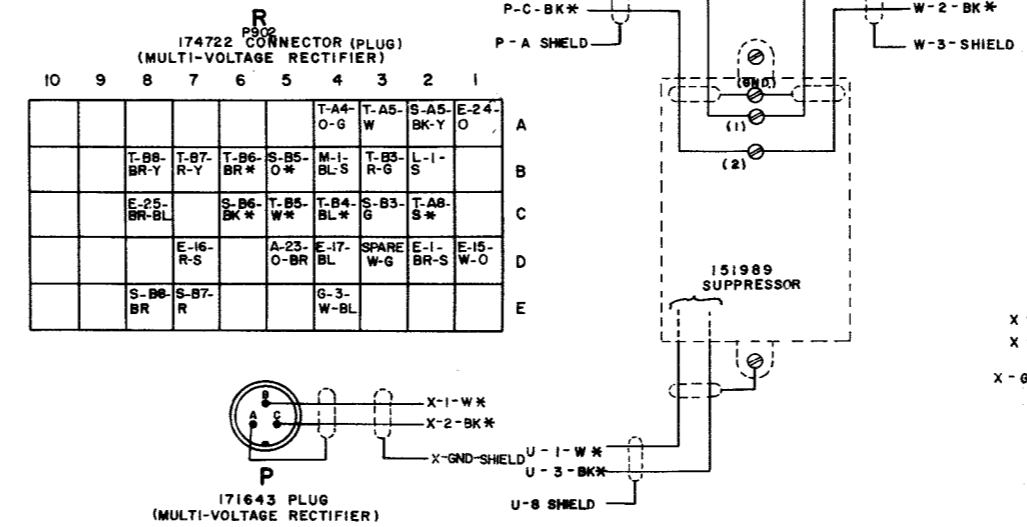
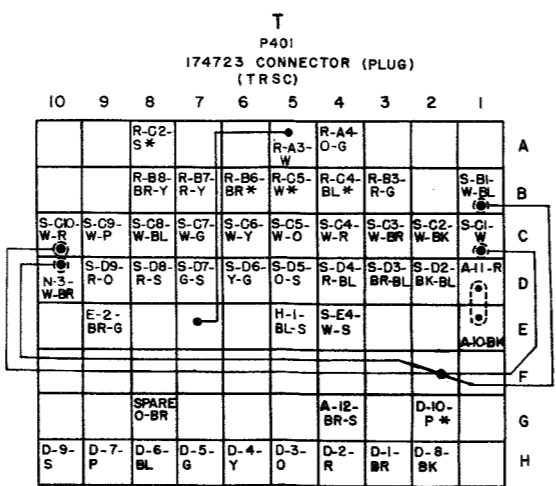
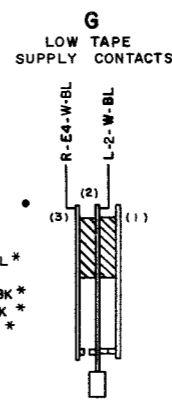
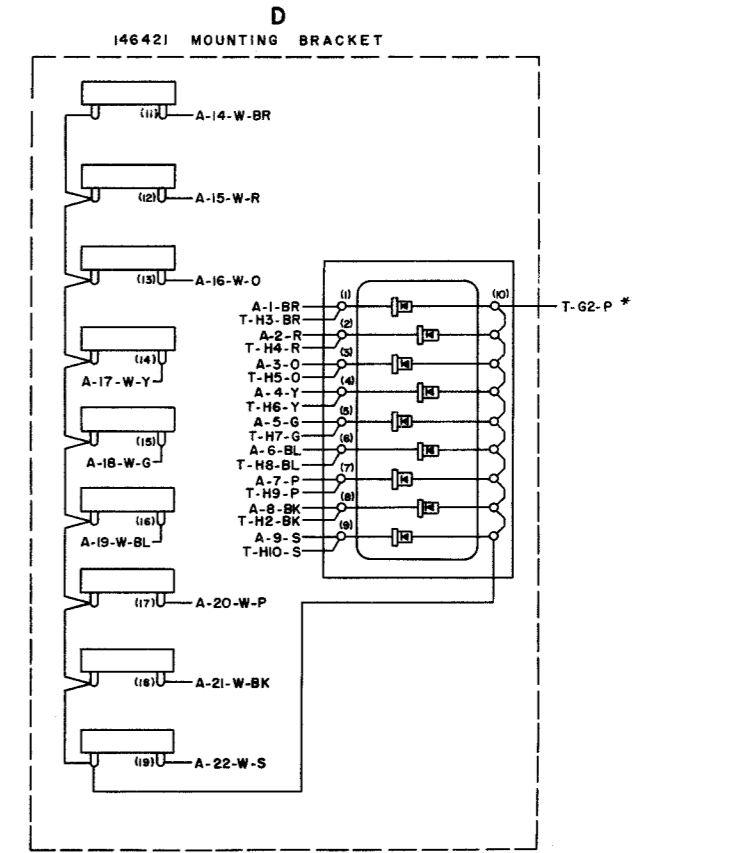
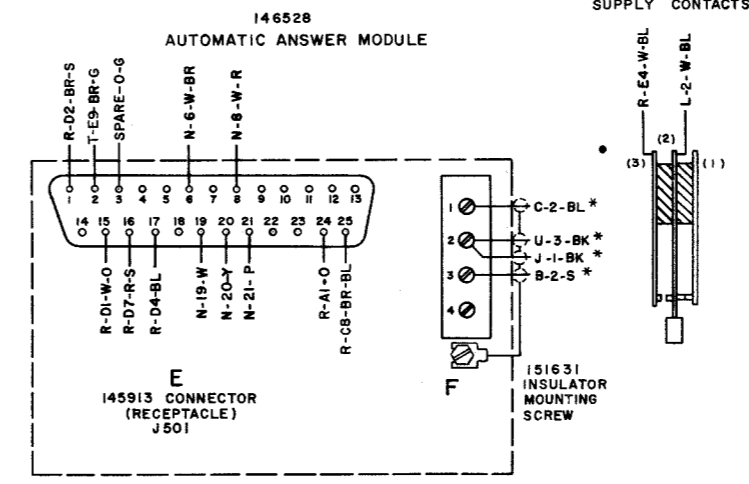
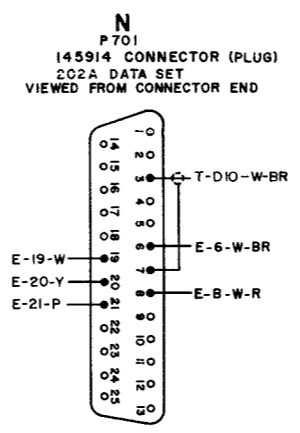
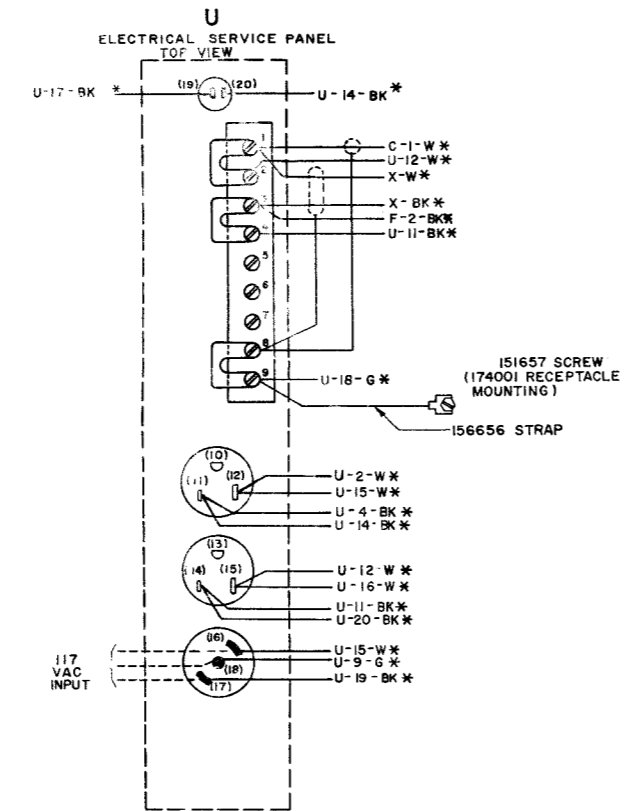
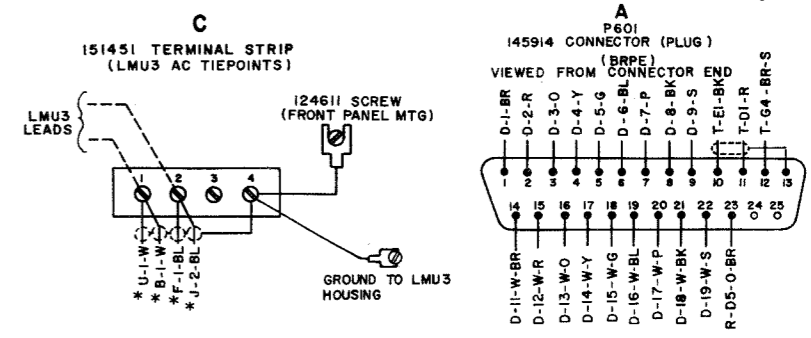
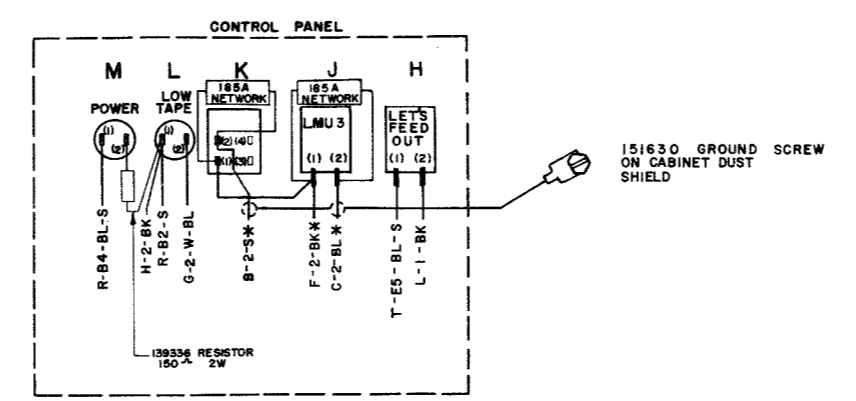
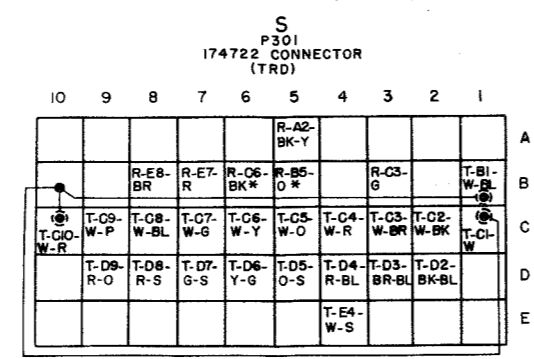
1.03 The attached material (Teletype Corporation WD drawings) covers the actual and the schematic wiring arrangements for the receiver cabinets and the schematic wiring for the tape punches.

1.04 For wiring information concerning other component units used with the tape receiving sets, refer to the appropriate Bell System Practice in the 592 division of the Plant Series.

		Issue									
		1	2	3	4	5	6	7	8	9	10
Receiver Cabinet 1B, actual wiring	4702WD	A	B	E							
Receiver Cabinet 1B, schematic wiring	4773WD	A	B	D							
Tape Punch 1B, schematic wiring	4497WD	A	D	D							

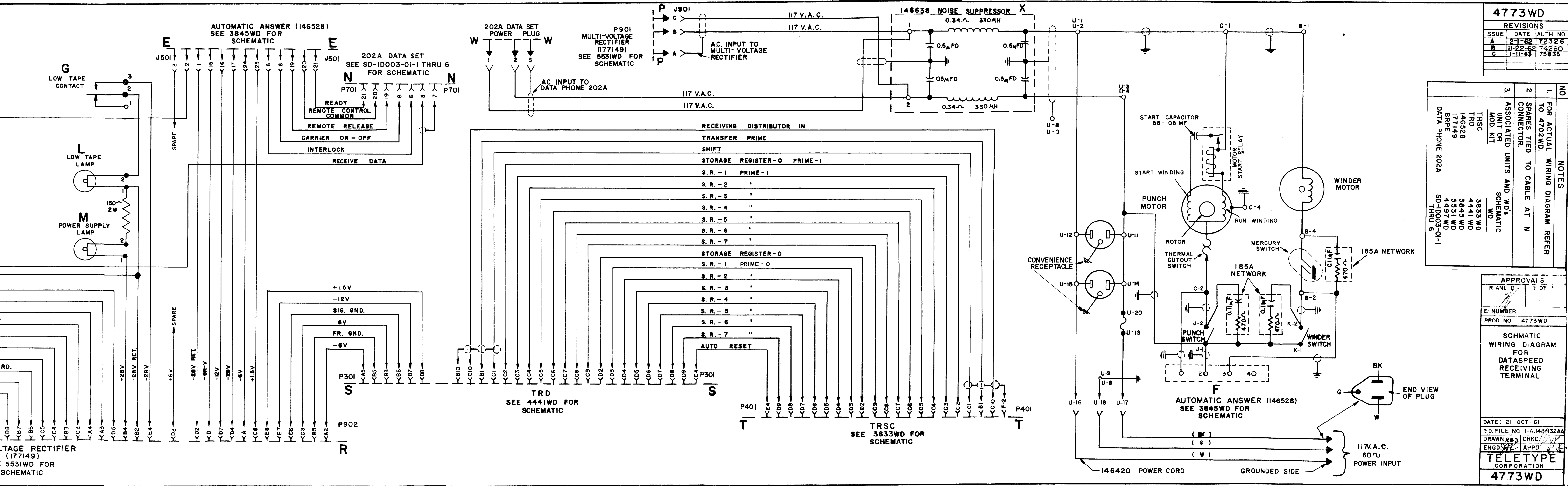
REV	DATE	AUTH
A	2-22-52	7432
B	3-22-52	7432
C	1-11-53	7433
D	7-1-53	7722
E	1-21-53	7723-1

- NOTES**
1. WIRING LEGEND:
 DISTANT TERMINATING AREA
 T-DIO-W-BR
 WIRE COLOR CODE
 DISTANT TERMINATING DESIGNATION
 2. USE SLEEVING TO INSULATE WHERE NECESSARY.
 3. ALL CONNECTIONS VIEWED FROM SOLDER END UNLESS OTHERWISE SPECIFIED.
 4. NUMBERS IN () NOT MARKED ON COMPONENTS.
 5. * DENOTES 18GA WIRE.
 6. (S) DENOTES SHIELDED WIRE.
 7. FOR SCHEMATIC WIRING DIAGRAM REFER TO 4773WD.
 8. SPARE WIRES TO HAVE 173715 TERMINALS ON DISTANT TERMINATING END - TAPED SEPARATE AND TIED TO CABLE AT N CONNECTOR.



ACTUAL WIRING DIAGRAM FOR AC 297 DATASPEED RECEIVING TERMINAL

APPROVALS
 D AND R E OFM
 E NUMBER
 PROD. NO. 4702WD
 DATE:
 RD. FILE NO. I-A-46/154AA
 DRAWN: AB CING
 TELE CORP

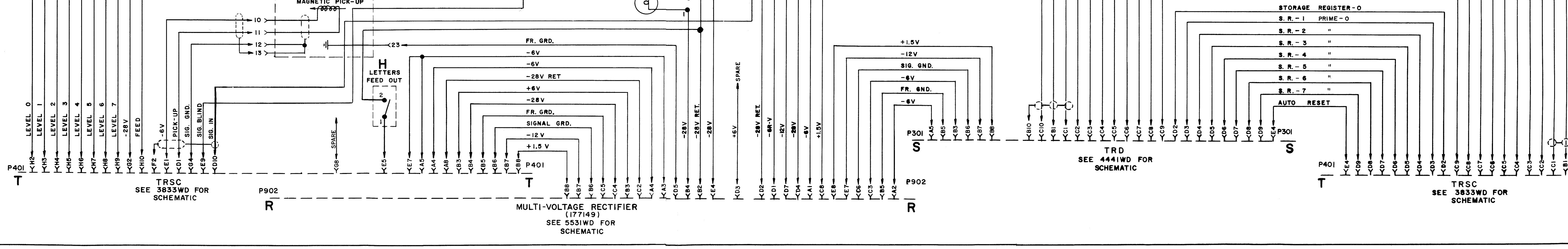
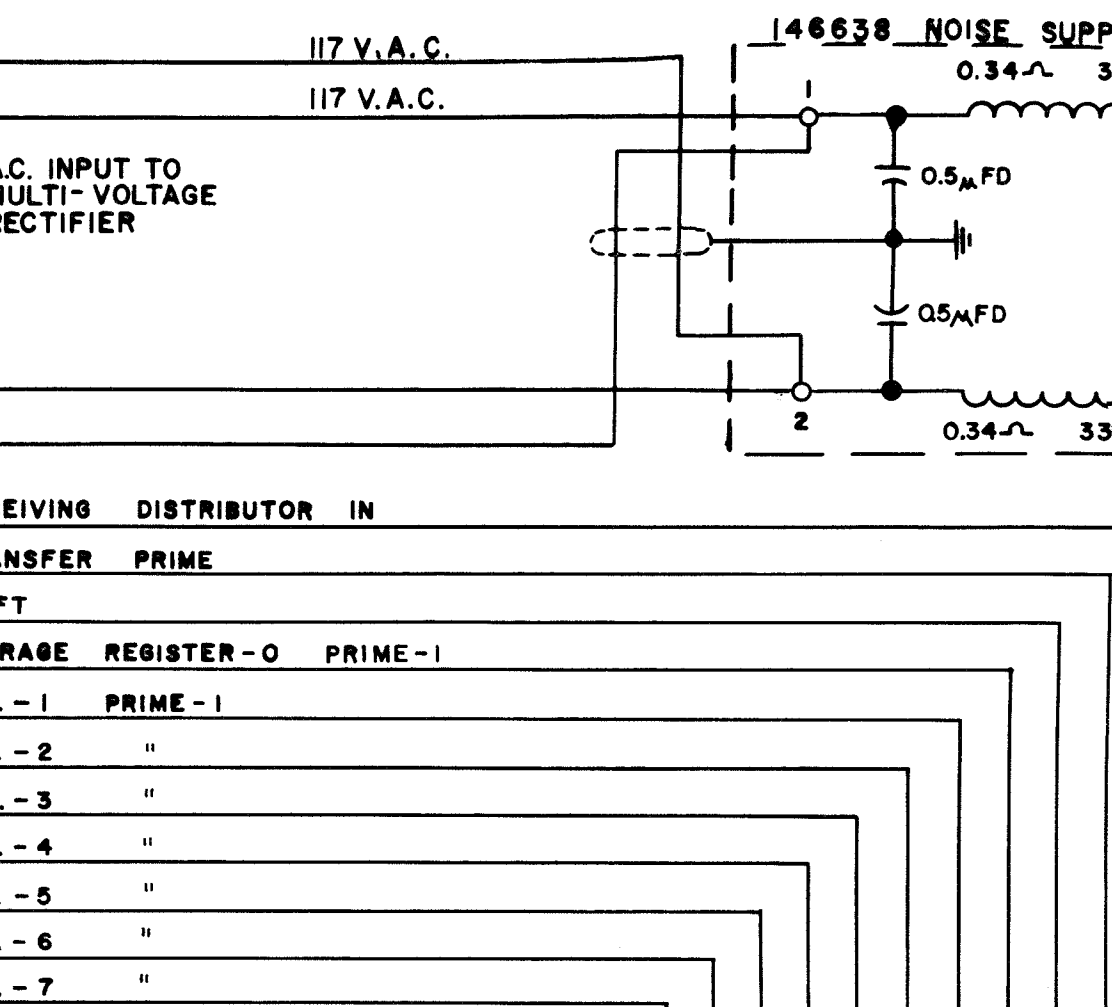
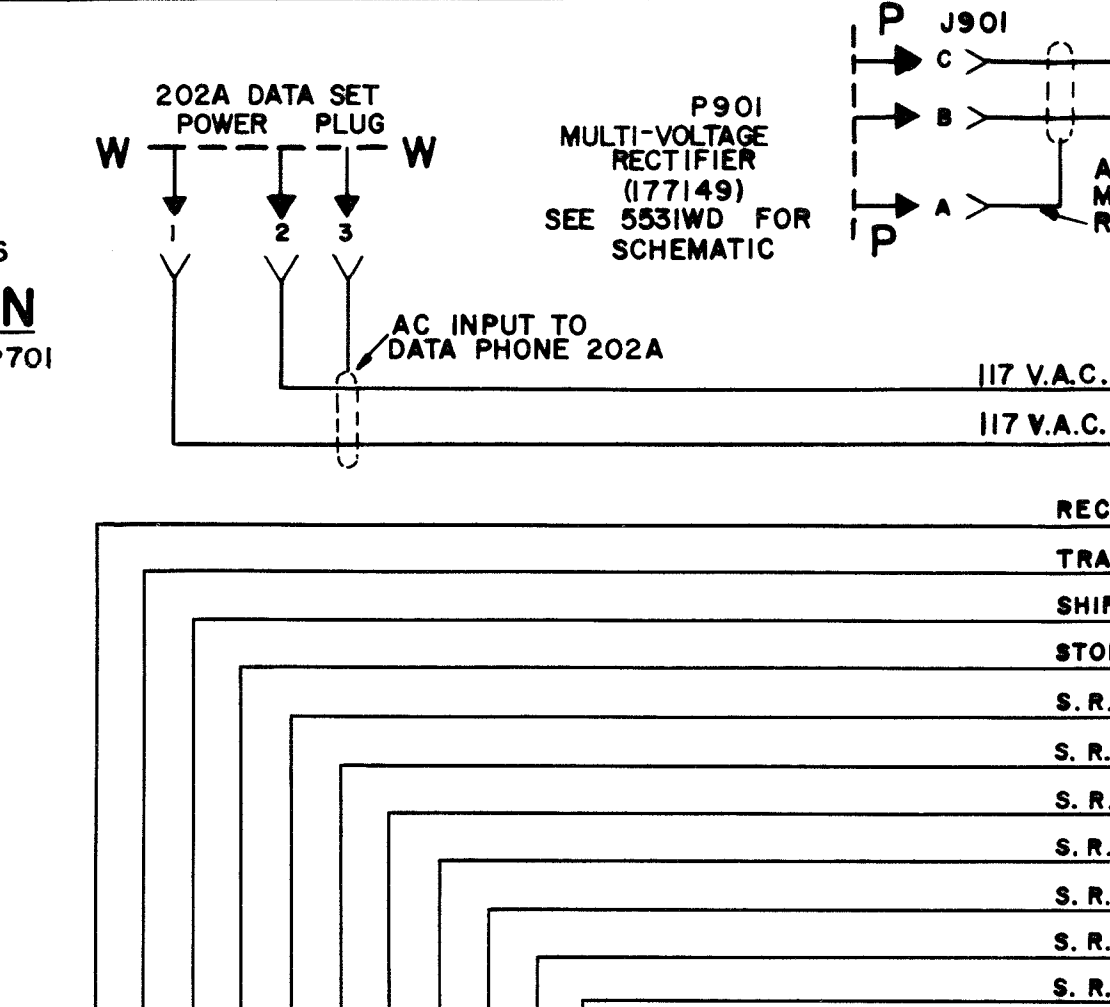
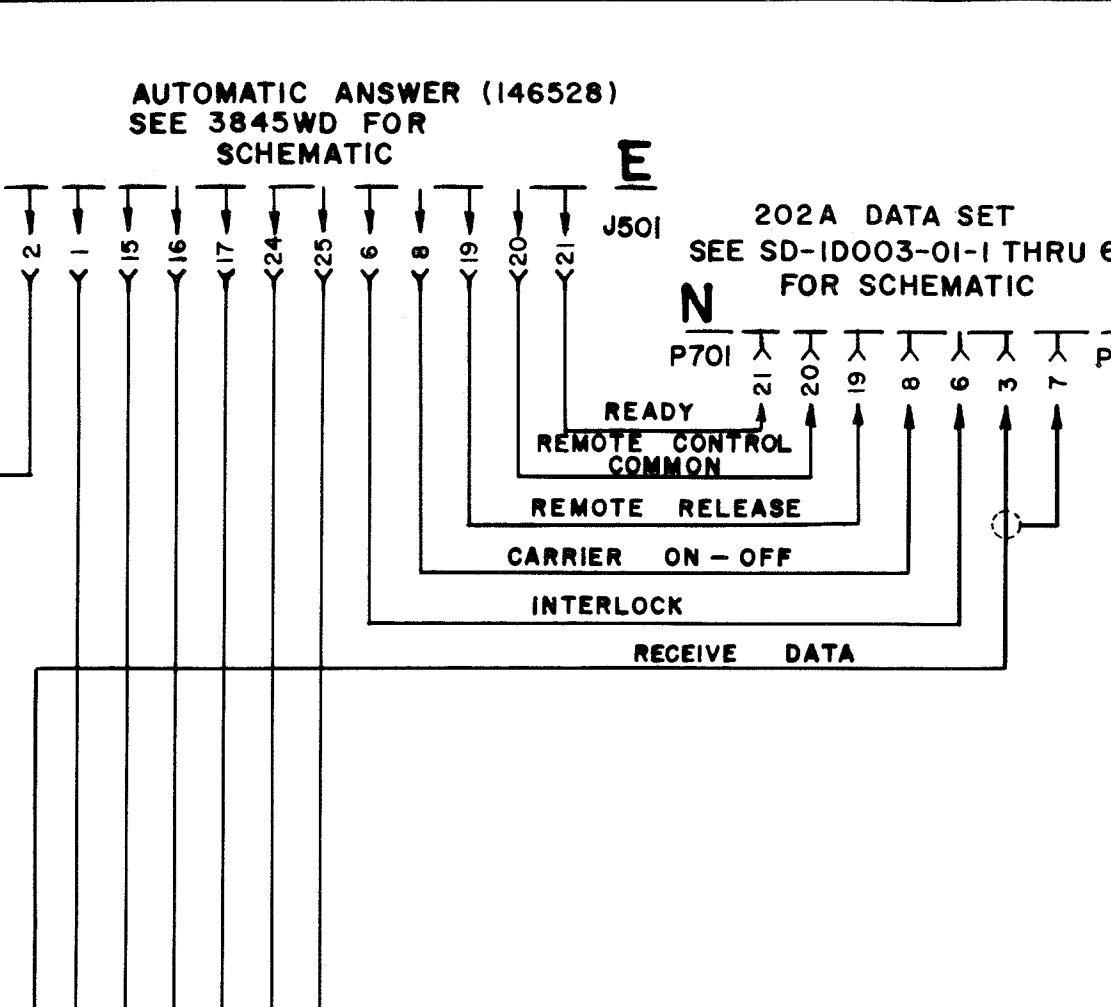
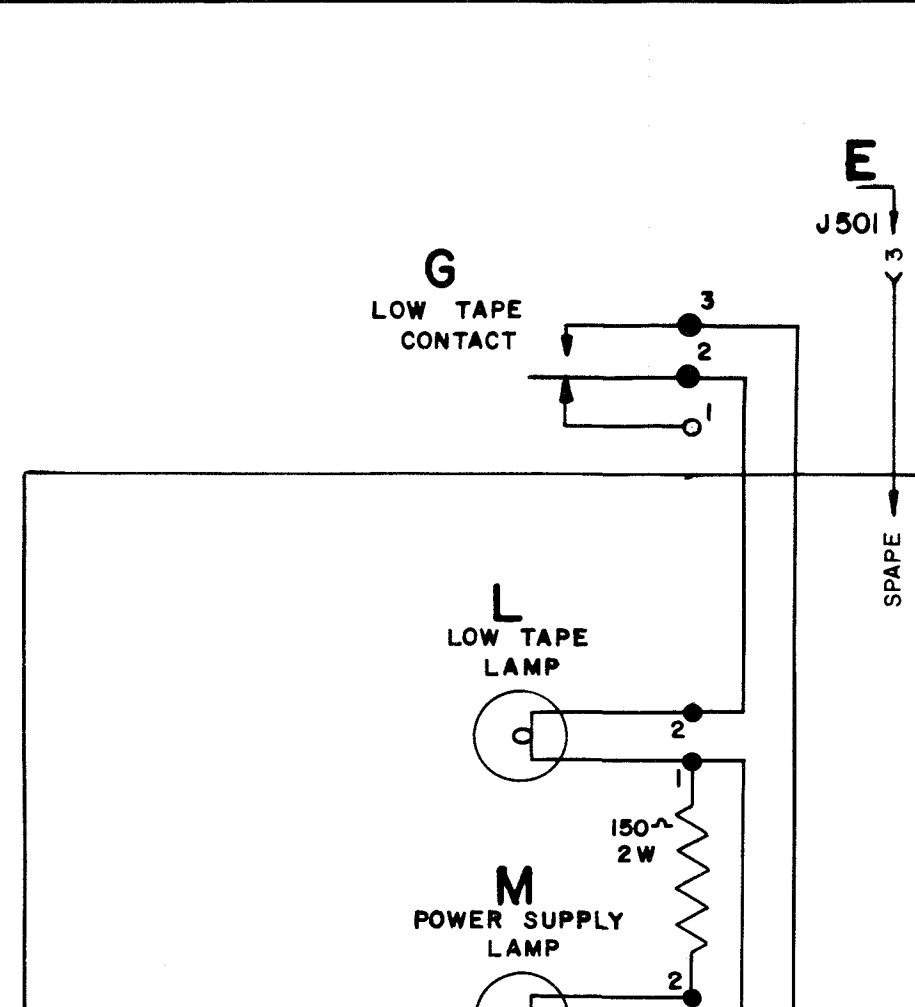
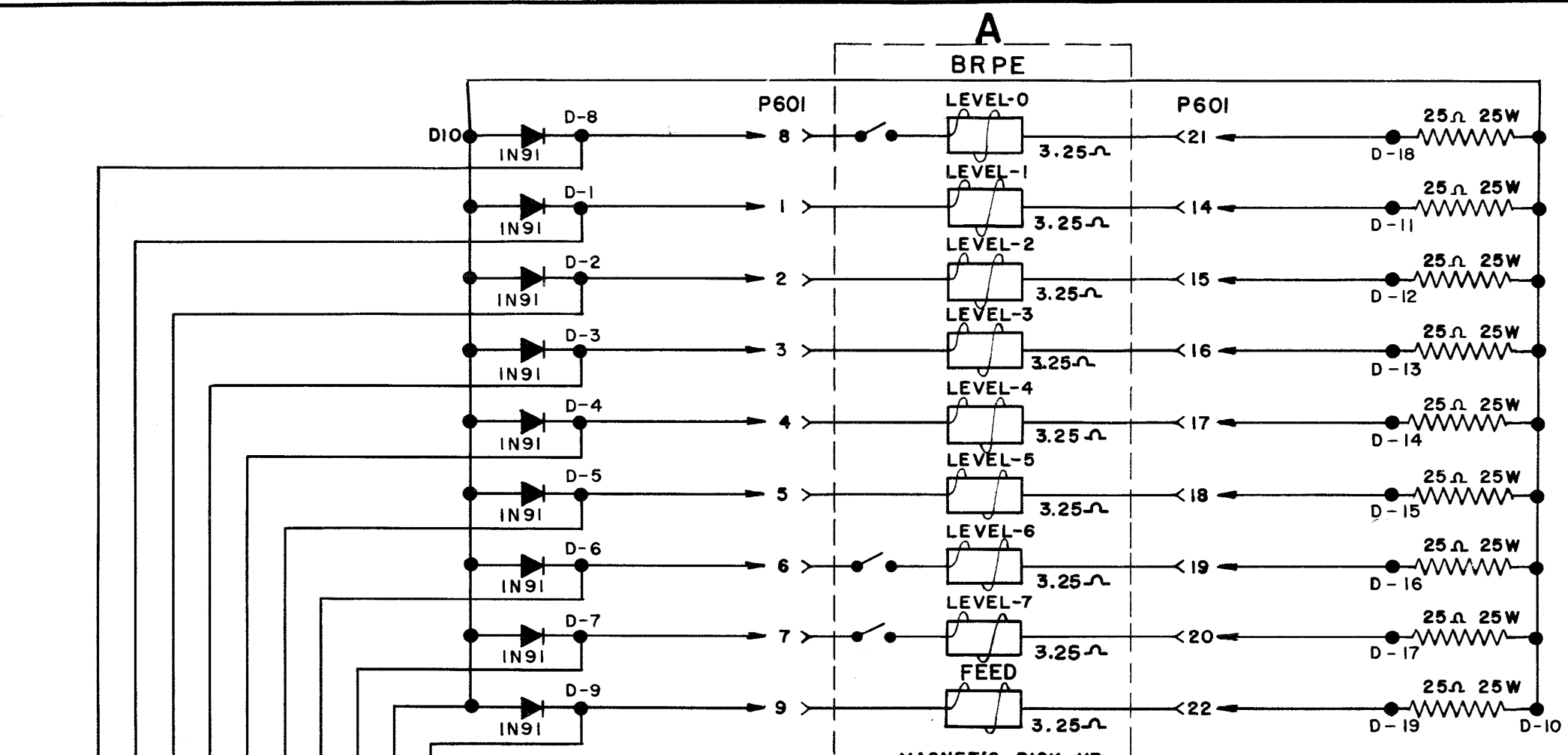


4773 WD		
REVISIONS		
ISSUE	DATE	AUTH. NO.
A	2-1-62	72326
B	8-22-62	74260
C	1-11-63	75635

NOTES	
1.	FOR ACTUAL WIRING DIAGRAM REFER TO 4702WD.
2.	SPARES TIED TO CABLE AT N CONNECTOR.
3.	ASSOCIATED UNITS AND W/D'S SCHEMATIC

TRSC	3833 WD
TRD	4441 WD
146528	3845 WD
177149	5531 WD
BRPE	4497 WD
SD-ID003-01-1	THRU 6

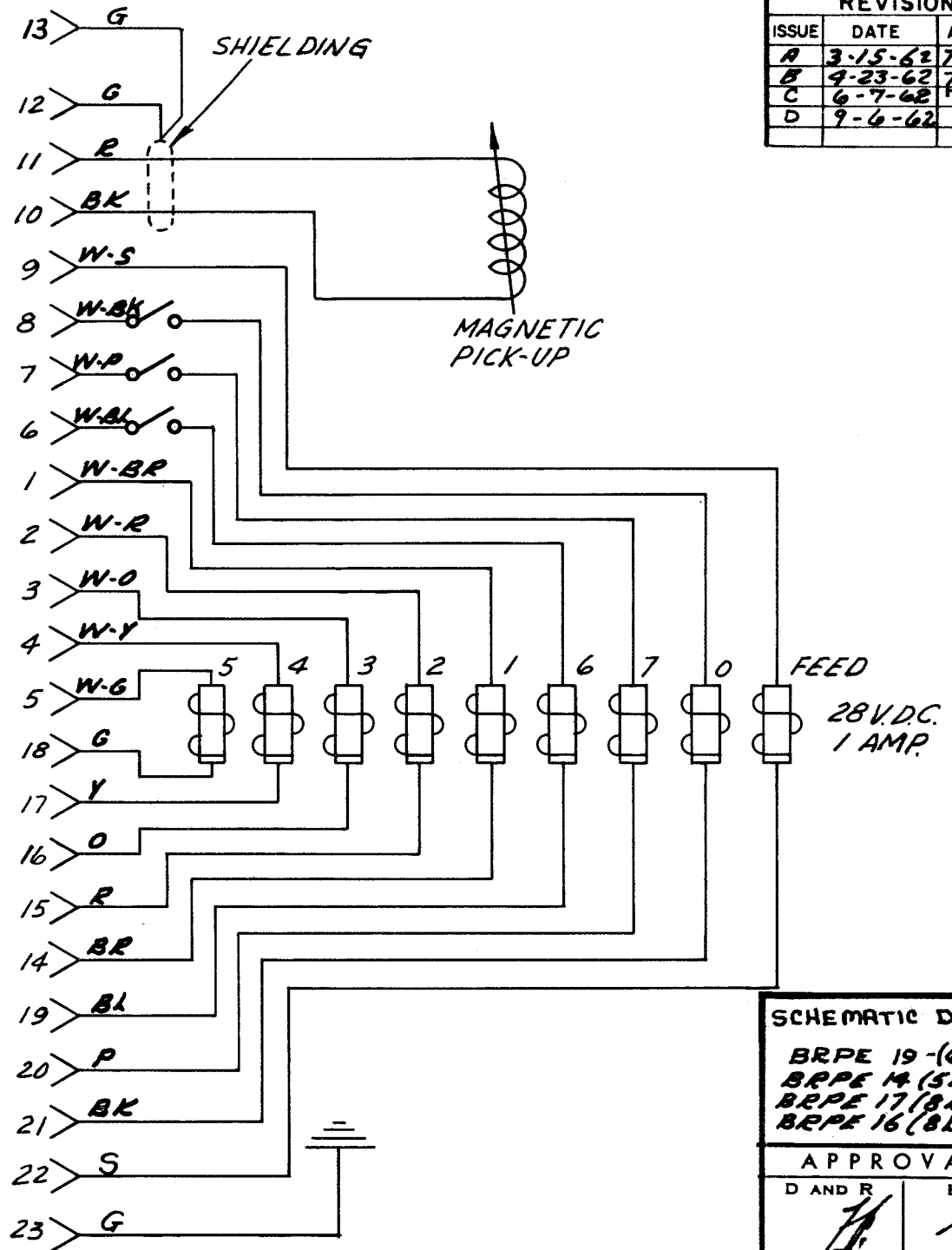
APPROVALS	
R AND D	F OF 1
E-NUMBER	
PROD. NO. 4773WD	
SCHEMATIC WIRING DIAGRAM FOR DATASPEED RECEIVING TERMINAL	
DATE: 21-OCT-61	
P.D. FILE NO. 1-A.148/132AA	
DRAWN RB3	CHKD.
ENGD. [Signature]	APPD. [Signature]
TELETYPE CORPORATION	
4773WD	



4497 WD

REVISIONS

ISSUE	DATE	AUTH. NO.
A	3-15-62	72778
B	4-23-62	72778-1
C	6-7-62	73635
D	9-6-62	74436



SCHEMATIC DIAGRAM

BRPE 19-(6LVL)
 BRPE 14 (5LVL)
 BRPE 17 (8LVL)
 BRPE 16 (8LVL)

APPROVALS

D AND R E OF M

E-NUMBER

PROD. NO. 4497 WD

DATE: 6-12-61

P.D. FILE NO. 1-A25.220A

DRAWN. R.B.B. CHKD. *[Signature]*

ENGD. J.F.K. APPD. *[Signature]*

TELETYPE CORPORATION

4497 WD

NOTE: SWITCHES
 APPLY TO BRPE 16
 ONLY