

HIGH SPEED TAPE PUNCH (DRPE)

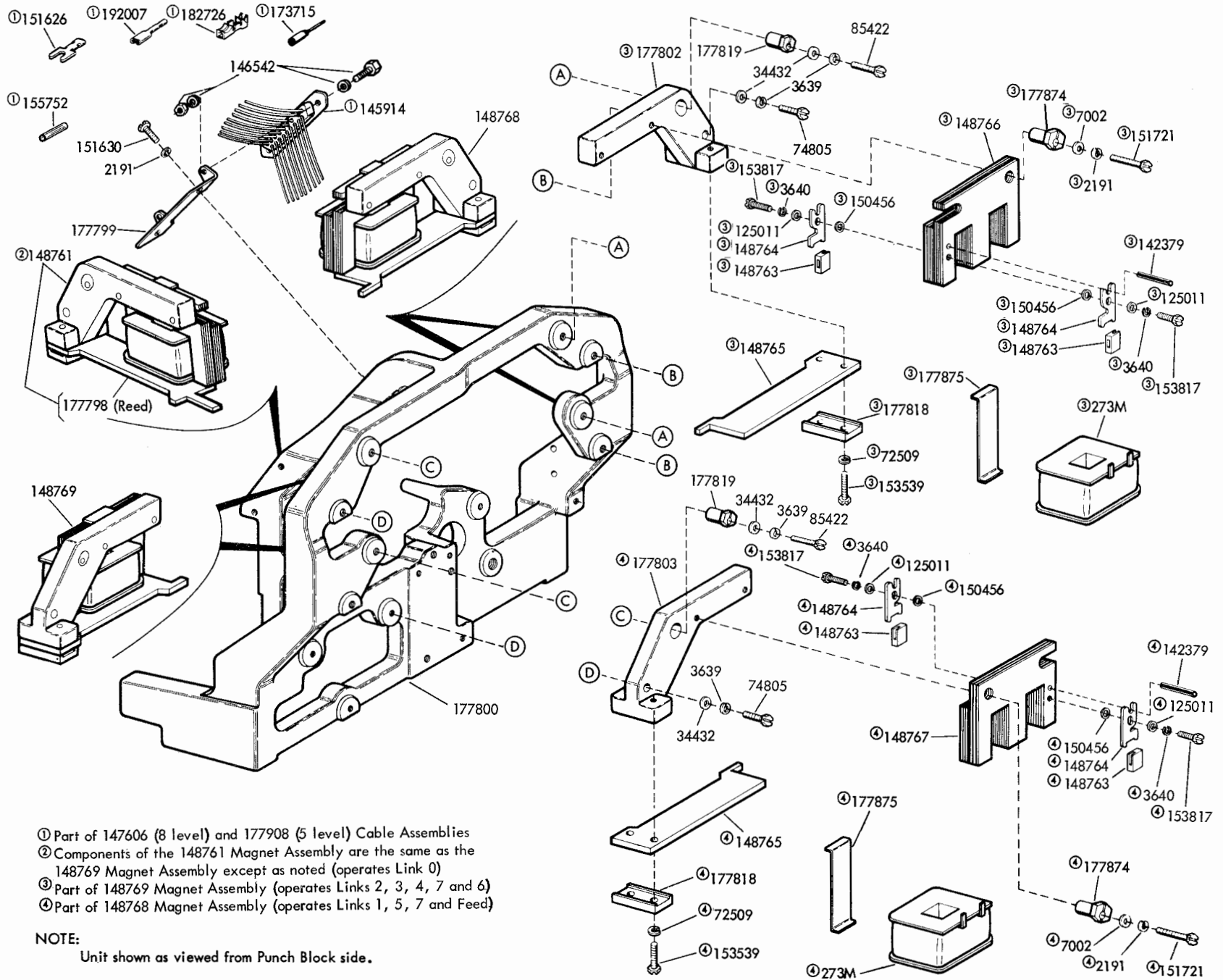
PARTS

FIGURE	CONTENTS	PAGE
1	Main Frame and Magnet Assemblies with Silencing Bumpers (5 and 8 Level)	2
2	Punch Block and Feed Mechanism (5 and 8 Level)	3
3	Main Frame and Magnet Assemblies with Silencing Bumpers (8 Level)	4
4	Punch Block and Feed Mechanism (8 Level)	5
5	Feed Drive Mechanism	6
6	Electrical Components	7
	Numerical Index	8

NOTE:

When ordering parts from this section
prefix each number with the letters TP.

FIGURE 1. MAIN FRAME AND MAGNET ASSEMBLIES WITH SILENCING BUMPERS (5 AND 8 LEVEL)



- ① Part of 147606 (8 level) and 177908 (5 level) Cable Assemblies
- ② Components of the 148761 Magnet Assembly are the same as the 148769 Magnet Assembly except as noted (operates Link 0)
- ③ Part of 148769 Magnet Assembly (operates Links 2, 3, 4, 7 and 6)
- ④ Part of 148768 Magnet Assembly (operates Links 1, 5, 7 and Feed)

NOTE:
 Unit shown as viewed from Punch Block side.

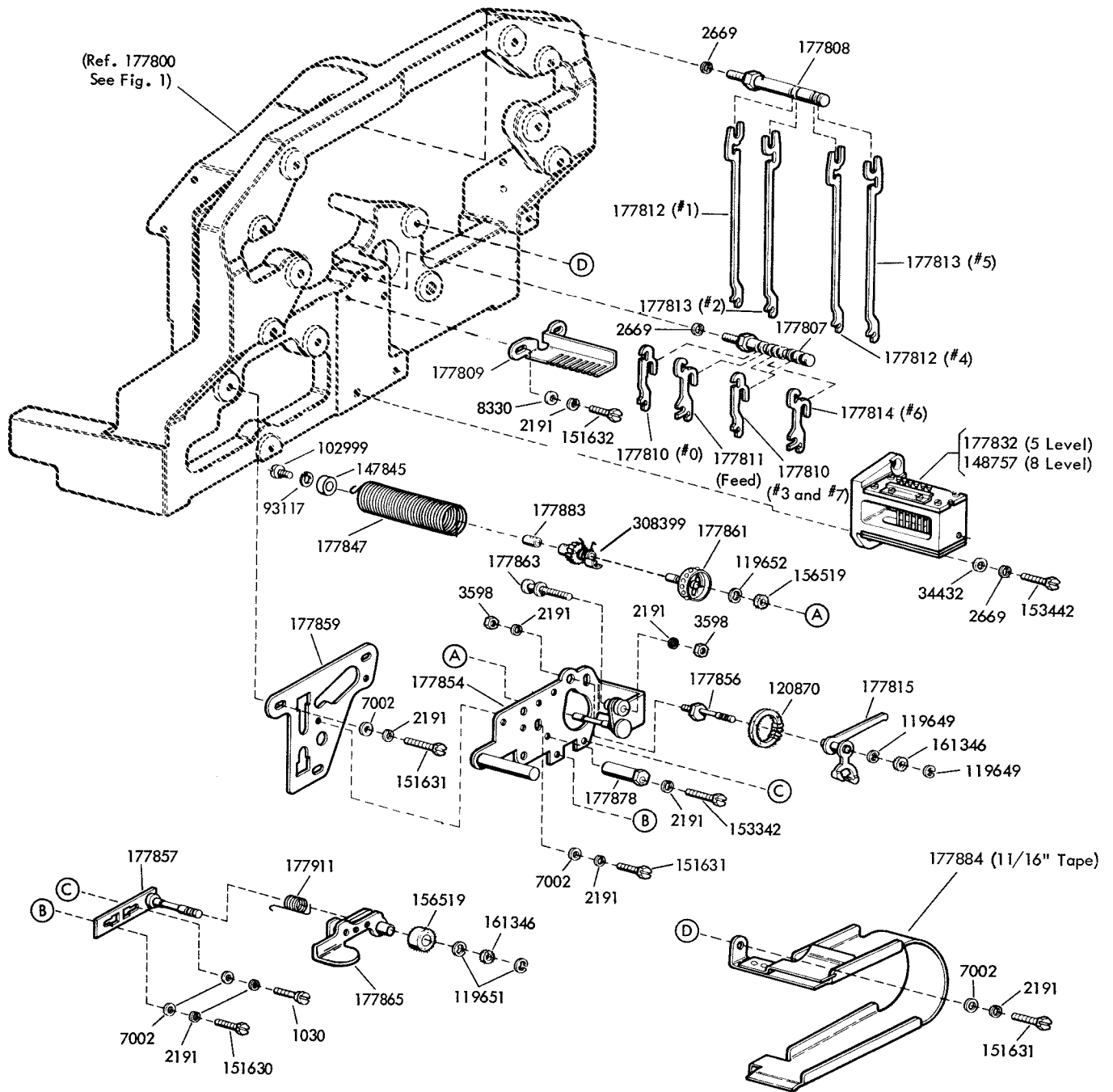
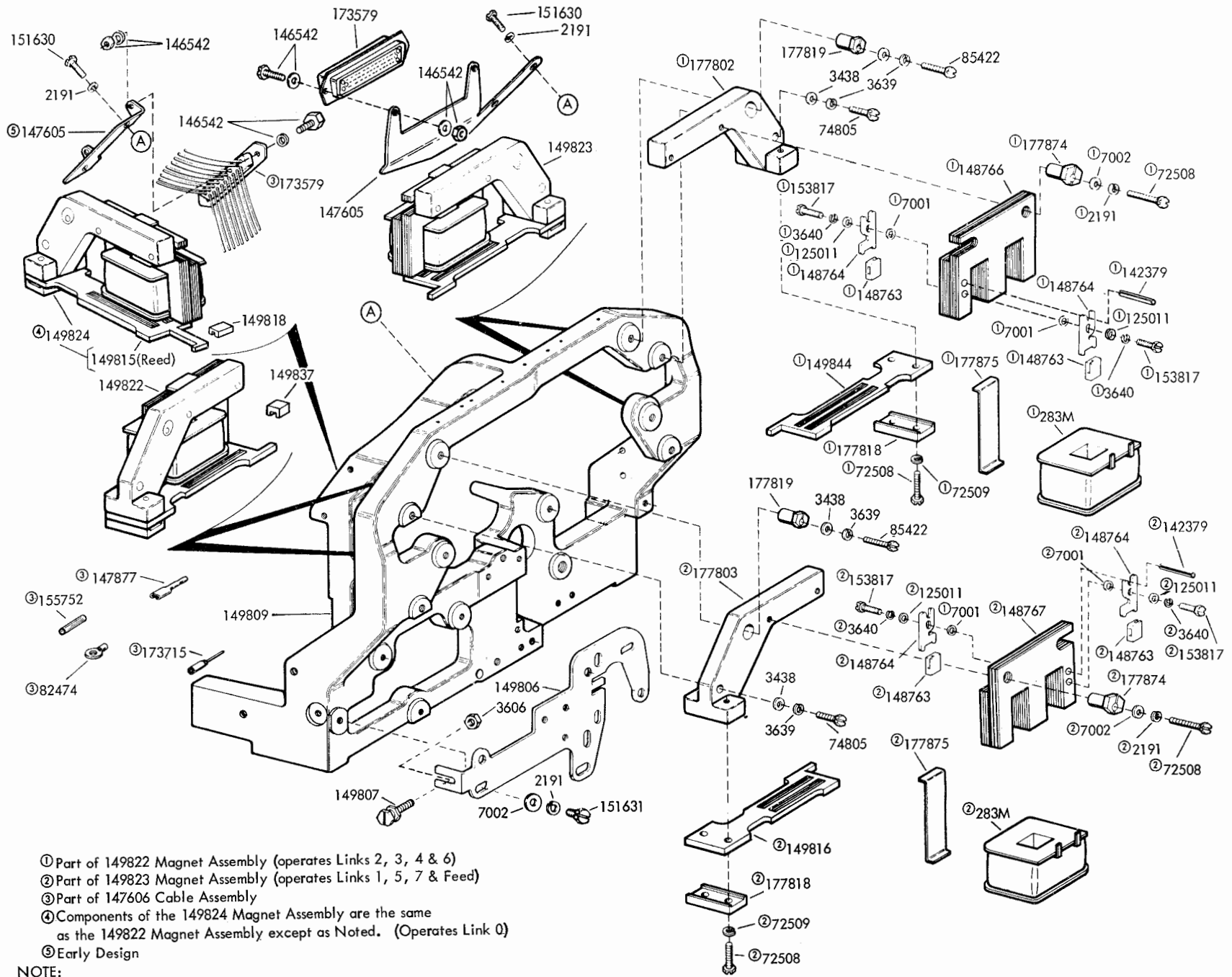


FIGURE 2. PUNCH BLOCK AND FEED MECHANISM (5 AND 8 LEVEL)

FIGURE 3. MAIN FRAME AND MAGNET ASSEMBLIES WITH SILENCING BUMPERS (8 LEVEL)



- ① Part of 149822 Magnet Assembly (operates Links 2, 3, 4 & 6)
- ② Part of 149823 Magnet Assembly (operates Links 1, 5, 7 & Feed)
- ③ Part of 147606 Cable Assembly
- ④ Components of the 149824 Magnet Assembly are the same as the 149822 Magnet Assembly except as Noted. (Operates Link 0)
- ⑤ Early Design

NOTE:
Unit Shown as Viewed from Punch Block Side

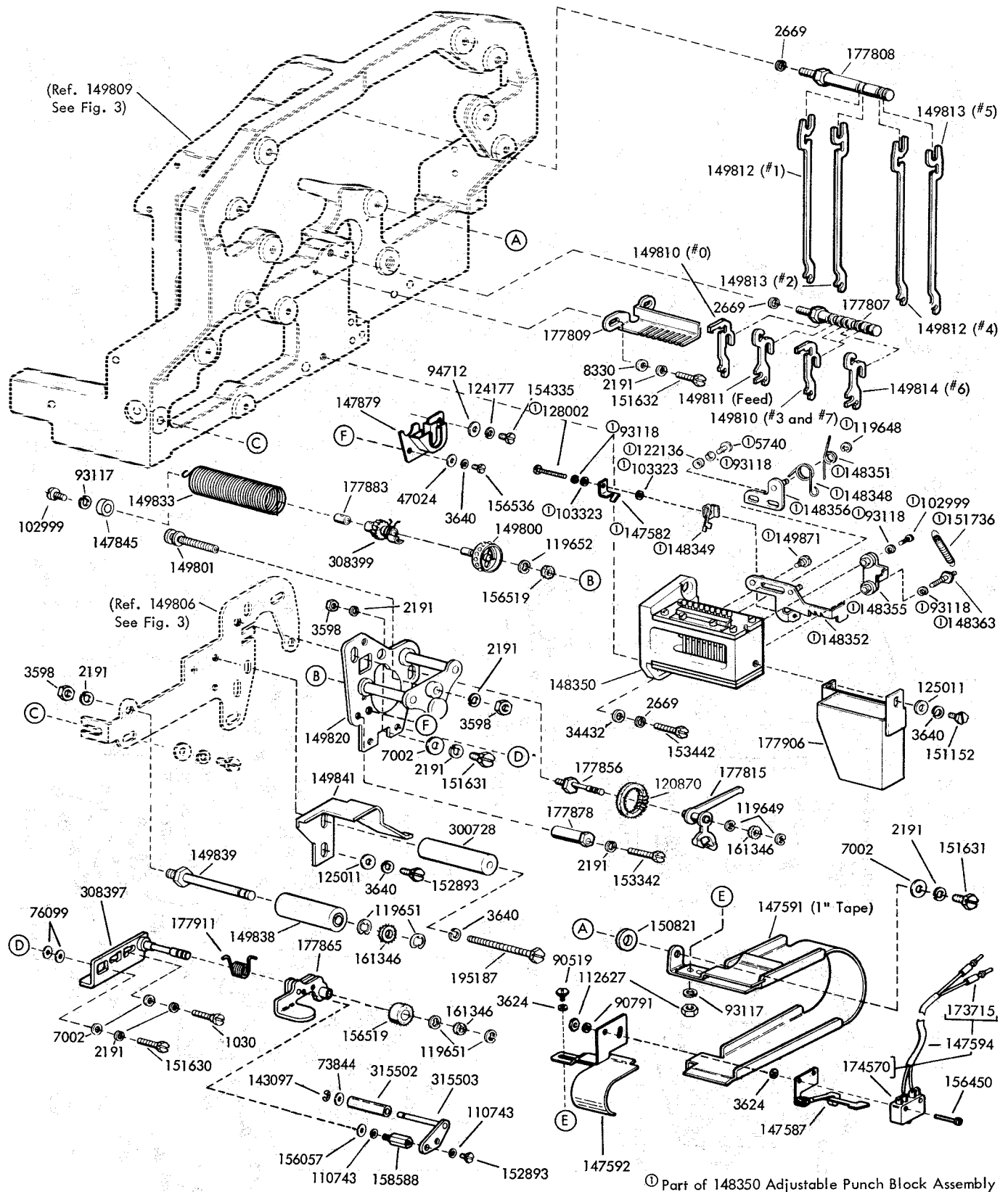
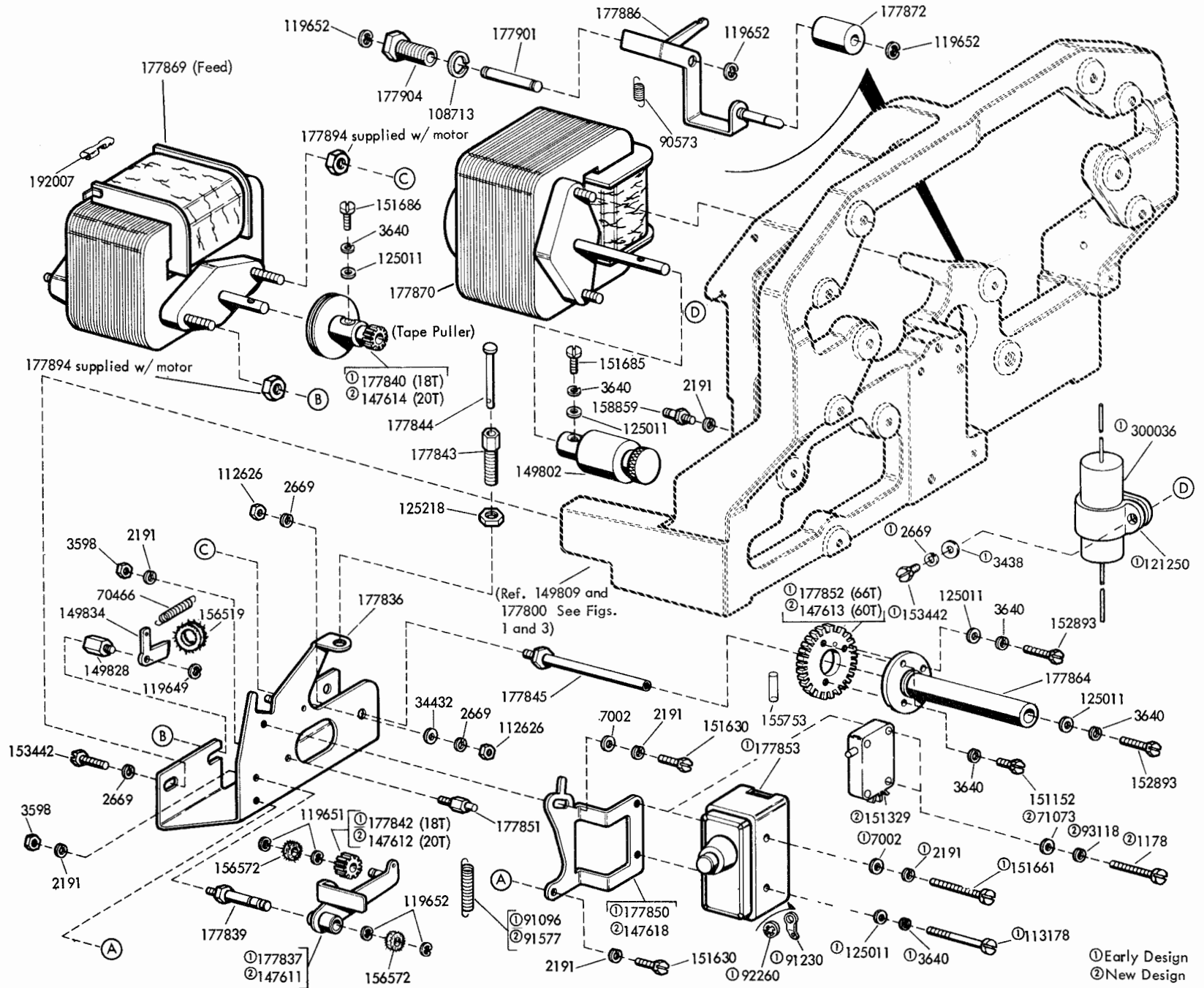


FIGURE 4. PUNCH BLOCK AND FEED MECHANISM (8 LEVEL)

FIGURE 5. FEED DRIVE MECHANISM



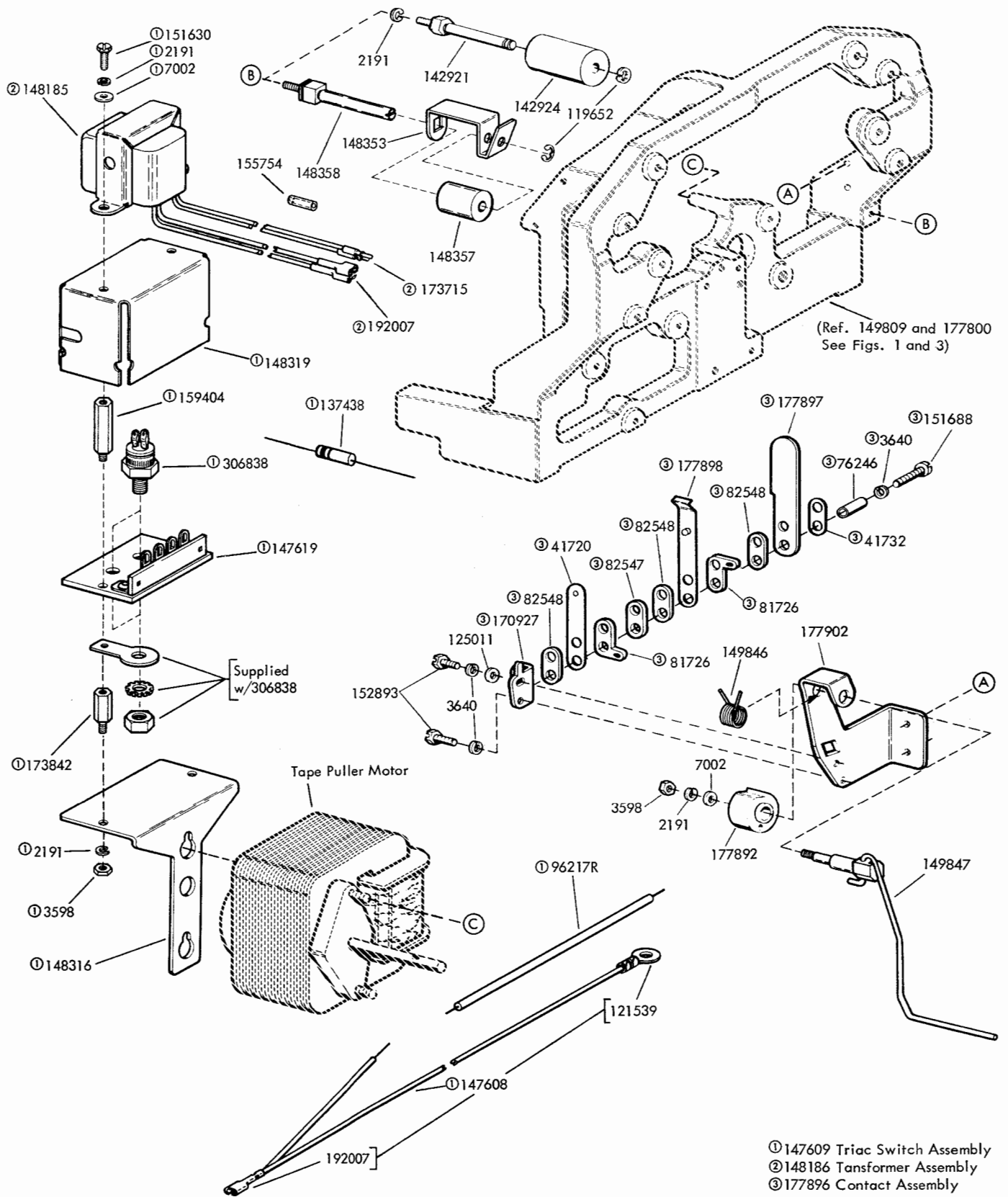


FIGURE 6. ELECTRICAL COMPONENTS

NUMERICAL INDEX

Part Number	Description and Page Number	Part Number	Description and Page Number	Part Number	Description and Page Number
273M	Coil, Magnet 2	143097	Ring, Retaining 5	149838	Roller 5
283M	Coil, Magnet 4	145914	Connector, 25 Pt Plug Type 2	149839	Stud, Roller 5
1030	Screw, 6-40 Shoulder 3, 5	146542	Post Assembly 2, 4	149841	Guide, Tape 5
1178	Screw, 2-56 x 7/16 Fil 6	147582	Stop, Bias Spring 5	149844	Reed, Right 4
2191	Washer, Lock 2, 3, 4, 5, 6, 7	147587	Actuator 5	149846	Spring, Torsion 7
2669	Washer, Lock 3, 5, 6	147591	Guide, Tape 5	149847	Arm, Tape Sensing 7
3438	Washer, Flat 4, 6	147592	Guide, Tape 5	149871	Screw, 2-56 Shoulder 5
3598	Nut, 6-40 Hex 3, 5, 6, 7	147594	Cable Assembly 5	150456	Spacer, .050" Thk 2
3606	Nut, 6-40 Hex 4	147605	Bracket, Connector 4	150821	Spacer, .156" Thk 5
3624	Washer, Flat 5	147606	Cable Assembly 2, 4	151152	Screw, 4-40 x 3/16 Hex 5, 6
3639	Washer, Lock 2, 4	147608	Jumper, 7" Blue 7	151329	Switch, Sensitive 6
3640	Screw, Lock 2, 4, 5, 6, 7	147609	Switch Assembly, Triac 7	151626	Terminal 2
5740	Screw, 2-56 x 1/4 Fil 5	147611	Lever w/Hub 6	151630	Screw, 6-40 x 1/4 Hex 2 to 7
7001	Washer, Flat 4	147612	Pinion, 20T 6	151631	Screw, 6-40 x 5/16 Hex 3, 4, 5
7002	Washer, Flat 2, 3, 4, 5, 6, 7	147613	Gear, 60T 6	151632	Screw, 6-40 x 3/8 Hex 3, 5
8330	Washer, Flat 3, 5	147614	Pinion, 20T 6	151661	Screw, 6-40 x 1 Fil 6
34432	Washer, Flat 2, 3, 5, 6	147618	Plate, Adjusting 6	151685	Screw, 4-40 x 5/16 Fil 6
41720	Spring, Contact 7	147619	Plate w/Terminal Strip 7	151686	Screw, 4-40 x 3/8 Fil 6
41732	Plate, Clamp 7	147845	Bushing 3, 5	151688	Screw, 4-40 x 5/8 Fil 7
47024	Washer, Flat 5	147877	Terminal, Receptacle Type 4	151721	Screw, 6-40 x 3/4 Hex 2
70466	Spring 6	147879	Retainer w/Plate 5	151736	Spring 5
71073	Washer, Flat 6	148185	Transformer 7	152893	Screw, 4-40 x 1/4 Hex 5, 6, 7
72508	Screw, 6-40 x 3/4 Hex 4	148186	Transformer Assembly 7	153342	Screw, 6-40 x 15/16 Hex 3, 5
72509	Washer, Lock 2, 4	148316	Bracket 7	153442	Screw, 10-32 x 1/2 Hex 3, 5, 6
73844	Washer, Flat 5	148319	Cover 7	153539	Screw, 6-40 x 11/16 Hex 2
74805	Screw, 10-32 x 3/4 Hex 2, 4	148348	Spring, Torsion 5	153817	Screw, 4-40 x 3/8 Hex 2, 4
76099	Washer, Flat 5	148349	Spring, Bias 5	154335	Screw, 6-40 x 9/32 Fil 5
76246	Bushing, Insulating 7	148350	Block Assembly, Punch 5	155752	Sleeve, 5/64 ID x 1/2" Lg
81726	Terminal 7	148351	Spring, Torsion .5		Insulating 2, 4
82474	Terminal 4	148352	Lever 5	155753	Sleeve, 1/8 ID x 1/2" Lg
82547	Insulator, .094" Thk 7	148353	Guide, Tape 7		Insulating 6
82548	Insulator, .062" Thk 7	148355	Bracket w/Hub 5	155754	Sleeve, 1/16 ID x 1/2" Lg
85422	Screw, 10-32 x 15/16 Hex 2, 4	148356	Bracket w/Post 5		Insulating 7
90519	Screw, 2-56 x 3/16 Hex 5	148357	Roller 7	156057	Washer, Flat 5
90573	Spring 6	148358	Post 7	156450	Screw, 2 56 x 1/2 Fil 5
90791	Washer, Lock 5	148363	Post, Spring 5	156519	Washer, Felt 3, 5, 6
91096	Spring 6	148757	Block Assembly, Punch 3	156536	Screw, 4-40 x 1/8 Fil 5
91230	Terminal 6	148761	Magnet Assembly, "O" 2	156572	Washer, Felt 6
91577	Spring 6	148763	Bumper, Rubber 2, 4	158588	Post 5
92260	Washer, Lock 6	148764	Plate, Bumper 2, 4	158859	Post, Spring 6
93117	Washer, Lock 3, 5	148765	Reed 2	159404	Post 7
93118	Washer, Lock 5, 6	148766	Core, Right 2, 4	161346	Washer, Felt 3, 5
94712	Washer, Flat 5	148767	Core, Left 2, 4	170927	Bracket, Contact 7
96217	Jumper, 6-1/2" Red 7	148768	Magnet Assembly, Left 2	173579	Connector, 50 Pt Plug Type 4
102999	Screw, 2-56 x 5/32 Fil 3, 5	148769	Magnet Assembly, Right 2	173715	Terminal, Plug Type 2, 4, 5, 7
103323	Washer, Flat 5	149800	Wheel, Feed 5	173842	Stud 7
108713	Washer, Lock 6	149801	Screw, 6-40 Adjusting 5	174570	Switch 5
110743	Washer, Lock 5	149802	Roller, Drive 6	177798	Reed, #0 2
112626	Nut, 10-32 Hex 6	149806	Plate, Rear 4, 5	177799	Bracket, Connector 2
112627	Nut, 2-56 Hex 5	149807	Post, Adjusting 4	177800	Frame 2, 3, 6, 7
113178	Screw, 4-40 x 1 Fil 6	149809	Frame 4, 5, 6, 7	177802	Bracket, Right 2, 4
119648	Ring, Retaining 5	149810	Link, #0, #3, and #7 5	177803	Bracket, Left 2, 4
119649	Ring, Retaining 3, 5, 6	149811	Link, Feed Pin 5	177807	Post, Lower Guide 3, 5
119651	Ring, Retaining 3, 5, 6	149812	Link, #1 and #4 5	177808	Post, Upper Guide 3, 5
119652	Ring, Retaining 3, 5, 6, 7	149813	Link, #2 and #5 5	177809	Bracket, Guide 3, 5
120870	Wick, Felt 3, 5	149814	Link #6 5	177810	Link, #0, #3 and #7 3
121250	Clamp, 3/4 ID 6	149815	Reed, "O" 4	177811	Link, Feed Pin 3
121539	Terminal 7	149816	Reed, Left 4	177812	Link, #1 and #4 3
122136	Spacer, .040" Thk 5	149818	Damper, Link 4	177813	Link, #2 and #5 3
124177	Washer, Lock 5	149820	Plate, Feed Wheel 5	177814	Link, #6 3
125011	Washer, Flat 2, 4, 5, 6, 7	149822	Magnet Assembly, Right 4	177815	Pawl, Escapement 3, 5
125218	Nut, 1/4-32 Hex 6	149823	Magnet Assembly, Left 4	177818	Plate, Clamp 2, 4
128002	Screw, 2-56 x 3/16 Fil 5	149824	Magnet Assembly, "O" 4	177819	Bushing, Eccentric 2, 4
137438	Resistor, 100 Ohm 7	149828	Post, Pawl 6	177832	Block Assembly, Punch 3
142379	Pin, Roll 2, 4	149833	Spring, Drive 5	177836	Bracket w/Post 6
142921	Stud 7	149834	Pawl, Brake 6	177837	Lever w/Hub 6
142924	Roller 7	149837	Damper, Link 4	177839	Post 6

NUMERICAL INDEX (Continued)

Part Number	Description and Page Number	Part Number	Description and Page Number	Part Number	Description and Page Number
177840	Pinion, 18T 6	177864	Sleeve 6	177901	Shaft 6
177842	Pinion, 18T 6	177865	Guide, Tape 3, 5	177902	Bracket, Contact 7
177843	Screw, 1/4-32 Adjusting 6	177869	Motor, 115V AC 6	177904	Bushing 6
177844	Post, Spring 6	177870	Motor, 115V AC 6	177906	Chute, Chad 5
177845	Shaft, Drive 6	177872	Roller 6	177908	Cable Assembly 2
177847	Spring, Drive 3	177874	Bushing, Eccentric 2, 4	177911	Spring, Torsion 3, 5
177850	Plate, Adjusting 6	177875	Clip, Spring 2, 4	182726	Terminal, Receptacle Type 2
177851	Post 6	177878	Bushing, Eccentric 3, 5	192007	Terminal, Tab Type 2, 6, 7
177852	Gear, 66T 6	177883	Nut, Spring Anchor 3, 5	195187	Screw, 4-40 x 1-1/2 Hex 5
177853	Switch, Micro 6	177884	Guide, 11/16" Tape 3	300036	Network, Arc Suppression 6
177854	Plate, Mounting 3	177886	Bail w/Stud 6	300728	Post 5
177856	Post, Eccentric 3, 5	177892	Cam 7	306838	Triac 7
177857	Plate 3	177894	Nut, 10-32 Spl 6	308397	Bracket w/Stud 5
177859	Plate, Rear Mounting 3	177896	Contact Assembly 7	308399	Ratchet w/Spring 3, 5
177861	Wheel, Feed 3	177897	Guard, Contact 7	315502	Bushing 5
177863	Screw, 6-40 Adjusting 3	177898	Spring, Contact 7	315503	Plate 5