

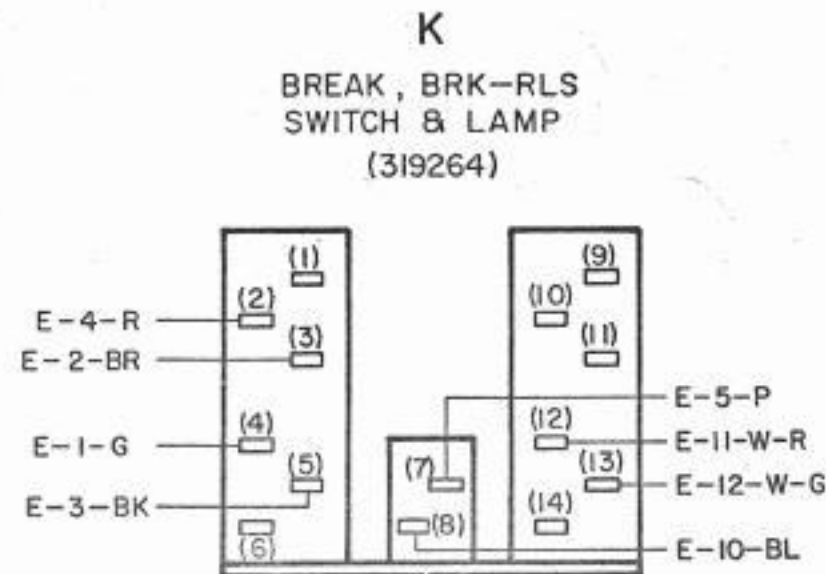
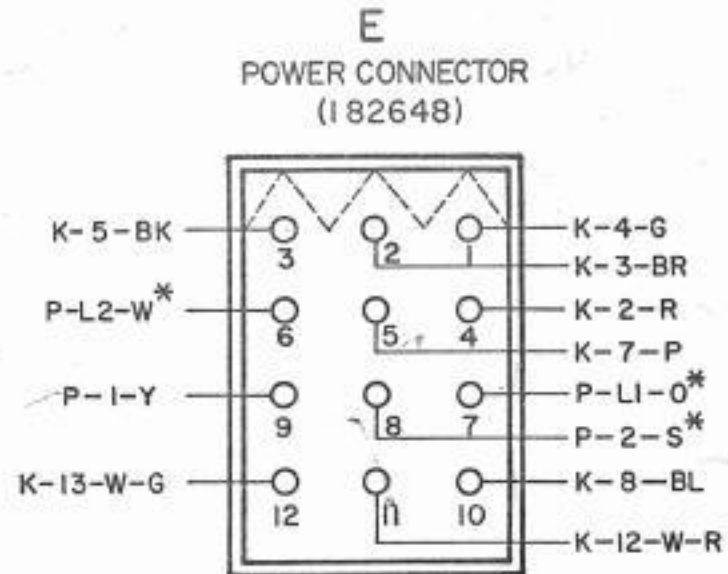
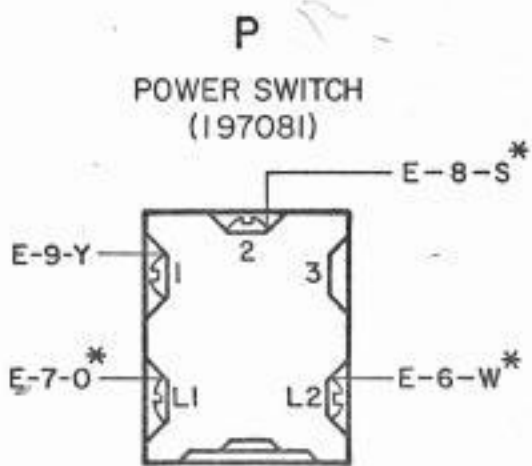
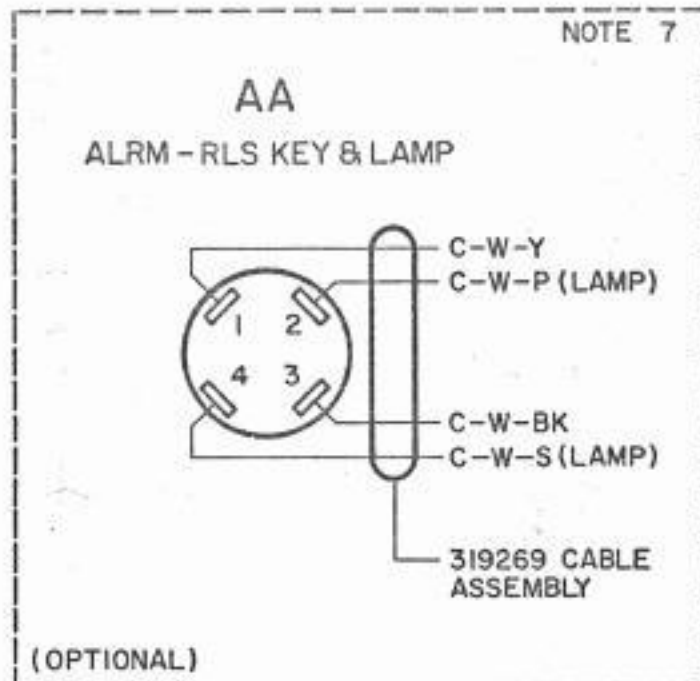
REVISIONS

ISSUE	DATE	AUTH. NO.
1	10-11-66	17825-R
2	4-28-67	93290

- NO. NOTES
- WIRING LEGEND:

 - DISTANT TERMINATING AREA
 - DISTANT TERMINATING DESIGNATION
 - E-5-W
 - WIRE COLOR CODE
 - COLOR CODE:

W-WHITE	BL-BLUE
BK-BLACK	BR-BROWN
O-ORANGE	P-PURPLE
Y-YELLOW	S-SLATE
G-GREEN	R-RED
 - *ASTERISK INDICATES 18 GA. WIRE
 - CONNECTORS AND SWITCHES ARE VIEWED FROM WIRING SIDE.
 - ASSOCIATED CABLES 319263 AND 319269.
 - NUMBERS IN PARENTHESIS ARE NOT SHOWN ON PART, BUT ARE USED FOR REFERENCE ONLY.
 - THE 319269 CABLE W/SWITCH & LAMP ASSEMBLY IS PART OF 319274 MOD. KIT TO ADD ALARM LAMP AND RELEASE SWITCH TO M35 PRIVATE LINE TTY SETS.
 - SPECIFICATION FOR TELETYPE CORPORATION EMPLOYEES ONLY: 61,196S; 61,197S OR 61,216S



ACTUAL WIRING DIAGRAM FOR MODEL 35 PRIVATE LINE CONTROL PANEL ASSEMBLIES

APPROVALS

D AND R	E OF M
<i>[Signature]</i>	<i>[Signature]</i>
K NUMBER	
PROC. NO. 7974WD	
DATE: 12-13-65	
P.D. FILE NO. 1-A151, A116	
DRAWN RTS	CHKD <i>[Signature]</i>
ENGD. RLW	APPD. <i>[Signature]</i>

TELETYPE CORPORATION
7974 WD