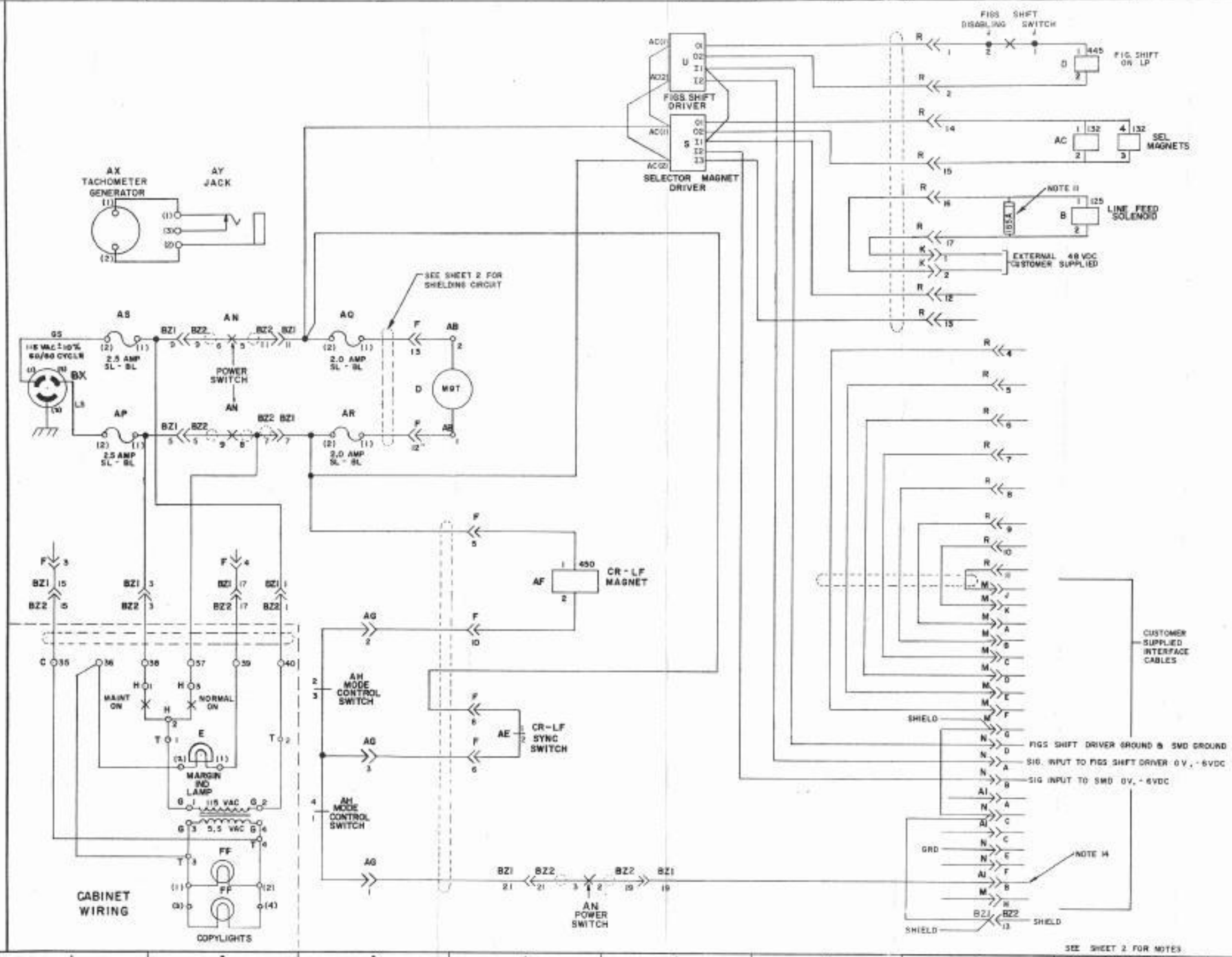


REVISIONS		
ISSUE	DATE	AUTH. NO.
1	4-8-65	16880-R
2	8-2-65	87538
3	10-12-65	89246
4	10-21-65	89239



SHEET 1 OF 2

**SCHEMATIC WIRING DIAGRAM FOR PAGE PRINTER SET (SPOOK) R 0**

APPROVALS

D AND R <i>APK</i>	E OF M <i>[Signature]</i>
-----------------------	------------------------------

E-NUMBER  
PROD. NO. 7546WD

DATE  
P.D. FILE NO. 74-30-85AA

DRAWN L.J.F. CHKD. *[Signature]*  
ENGD. C.F.C. APPD. *[Signature]*

**TELETYPE CORPORATION**

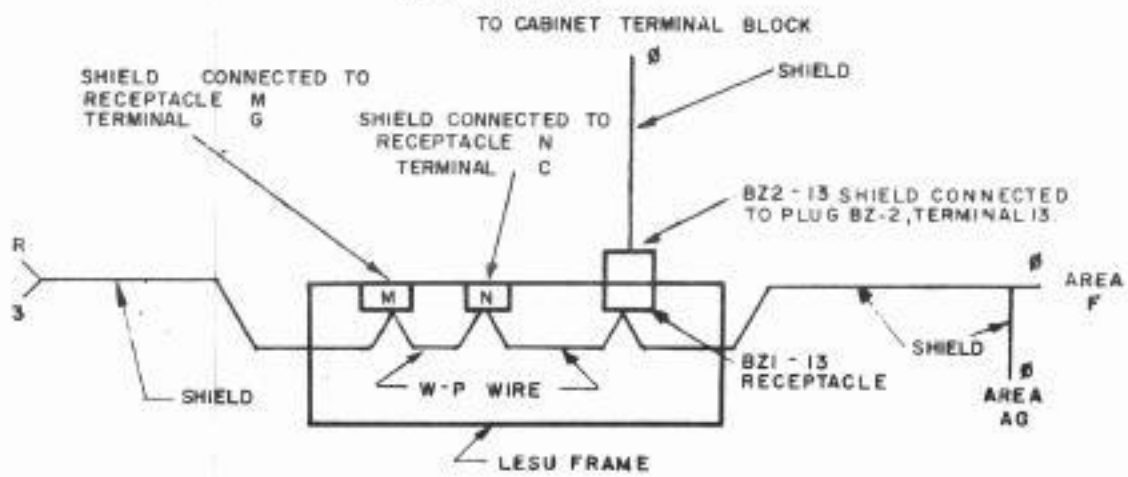
7546 WD

ISSUE	DATE	AUTH NO
1	4-8-65	16880-R
2	2-28-66	90505

- NO**      **NOTES**
- SEE 7540 WD FOR ACTUAL WIRING DIAGRAM FOR LP  
7541 WD - " " " " " " LB  
7543 WD - " " " " " " LESU  
7544 WD - " " " " " " LAC
  - TERMINAL DESIGNATIONS ENCLOSED IN PARENTHESES ARE FOR REFERENCE AND ARE NOT MARKED ON COMPONENTS.
  - FOR TELETYPE PERSONNEL REFERENCE:  
SPEC. 61,018 S - 61,025 S  
61,026 S - 61,027 S
  - ALL APPARATUS SHOWN IN UNOPERATED OR DE-ENERGIZED POSITION. LP WIRED FOR 80 MA. OPERATION.
  - UNITS WIRED FOR 115 V.A.C. 50/60 CYCLE POWER INPUT
  - RESISTANCE VALUES IN OHMS UNLESS OTHERWISE SPECIFIED.
  - ← INDICATES MALE TERMINAL ON RECEPTACLE.  
— FEMALE " " "
  - ⊘ INDICATES SHIELDED WIRE
  - REFER TO 7535 WD ACTUAL WIRING DIAGRAM AND 7536 WD SCHEMATIC WIRING DIAGRAM FOR FIGS. SHFT DRIVER AND SELECTOR MAGNET DRIVER.
  - SHIELDS ARE NOT GROUNDED BY TELETYPE.
  - [185 A] — INDICATES 153631 SPARK SUPPRESSION NETWORK CONSISTING OF 0.11 μF CAPACITOR IN SERIES WITH 470 Ω RESISTOR (SCREW END) MAY BE AT EITHER END.
  - ⊘ INDICATES END OF SHIELD NOT CONNECTED.
  - CHASIS GROUND SUPPLIED BY CUSTOMER THROUGH THE BX CONNECTOR.
  - WHEN TWO RO UNITS ARE CONNECTED FOR SYNCHRONOUS CR - LF, BOTH UNITS MUST USE A COMMON AC POWER SOURCE.
  - SL-BL DEMOTES SLOW-BLOWING FUSE.

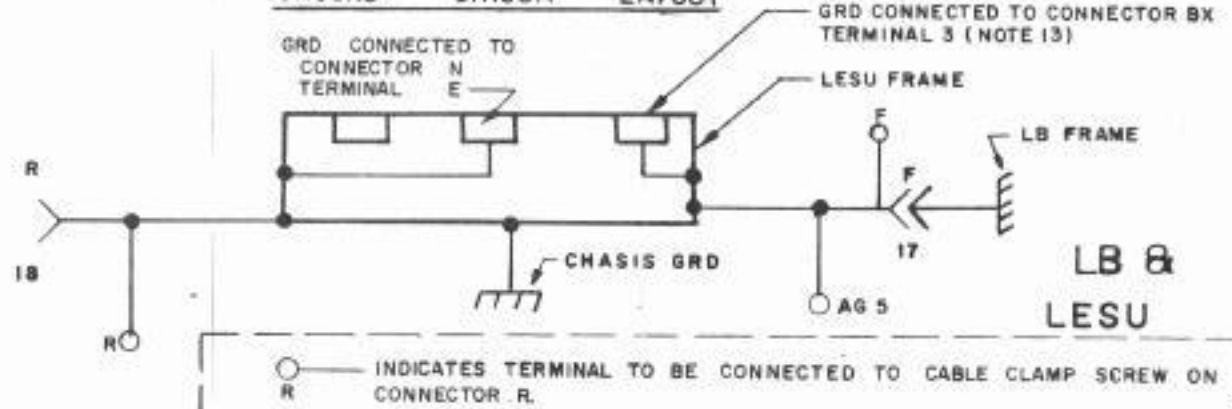
**SHIELD CIRCUIT LAYOUT**

(SEE NOTE 10)



LESU

**GROUND CIRCUIT LAYOUT**



SCHEMATIC WIRING DIAGRAM FOR SPOOK PRINTER RO

**APPROVALS**

D AND B      E OF M  
*[Signature]*

E-NUMBER  
PROD. NO 7546 WD

DATE  
P.O. FILE NO 75-30.65 AA  
DRAWN L.J.F. CHKD *[Signature]*  
ENGD C.F.C. APPD

TELETYPE CORPORATION  
7546 WD