

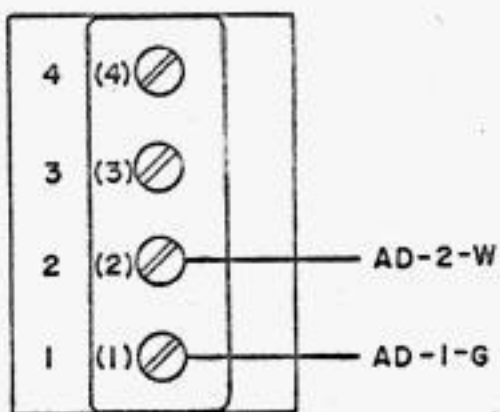
3279 WD

REVISIONS

ISSUE	DATE	AUTH. NO.
A	1-15-58	TP-3003
B	1-2-59	28-10428
C	4-16-59	28-10910

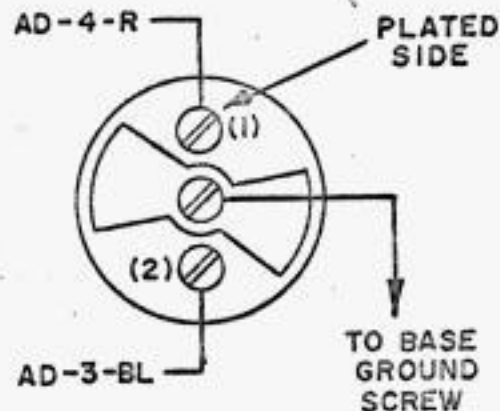
AA

MOTOR TERMINAL BOARD



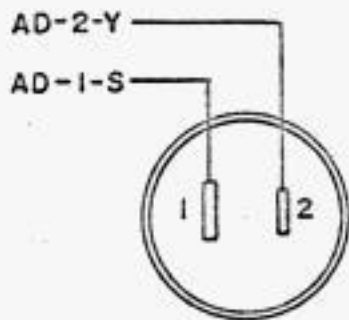
AB

AC CONNECTOR



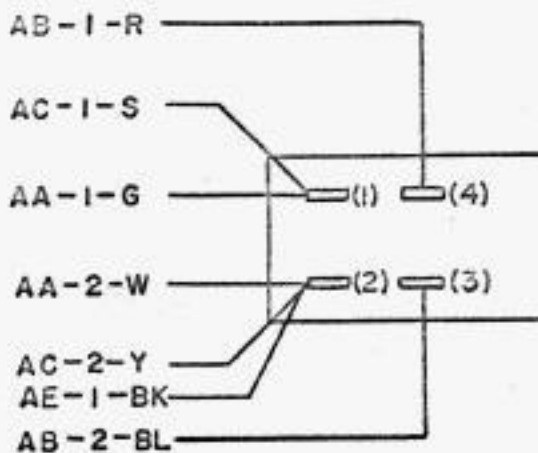
AC

CAPACITOR CONNECTOR



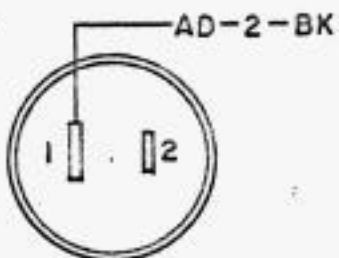
AD

POWER SWITCH



AE

LINE SHUNT CONNECTOR



FOR SCHEMATIC SEE 3281 WD

APPROVALS

D AND R *[Signature]* E OF M *[Signature]*

E. NUMBER

PROD. NO. 3279 WD

ACTUAL WIRING DIAGRAM

MODEL 28 REPERFORATOR-TRANSMITTER BASE LRXB 1,2,3,4,5

DATE: 2-11-57

P.D. FILE NO. 1-116.65AA

DRAWN. E.K.S. CHKD. P.D.

ENGD. A.A.H. APPD. *[Signature]*

TELETYPE CORPORATION

3279 WD

Handwritten note: 3279 WD