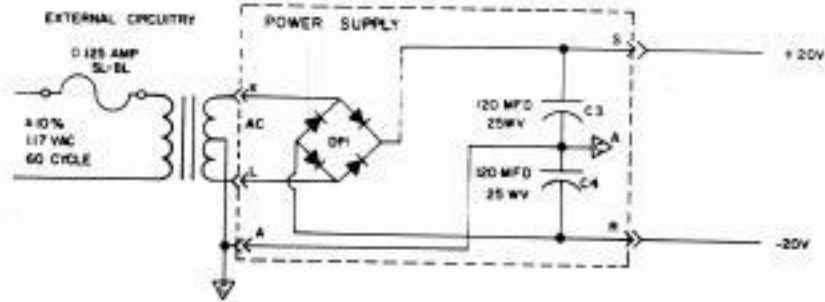
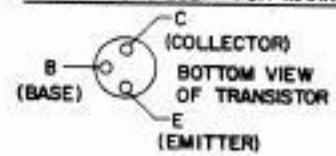


6. DIODE CR11A IS SHOWN FOR REFERENCE ONLY AND HAS BEEN ADDED TO PREVENT THE REGENERATOR OUTPUT FROM BEING SPACED WHEN THE ROTARY WIDE SWITCH IS OPERATED. THE CLAMPING DIODE PREVENTS THE VOLTAGE AT THE COLLECTOR OF Q6 FROM BEING MORE NEGATIVE THAN GROUND OR -6.2 VDC DEPENDING ON CURRENT OR VOLTAGE APPLICATION. THE DIODE WAS ADDED BETWEEN TERMINALS H AND M ON THE REGENERATOR CIRCUIT CARD CONNECTOR FOR EASE OF FIELD INSTALLATION.



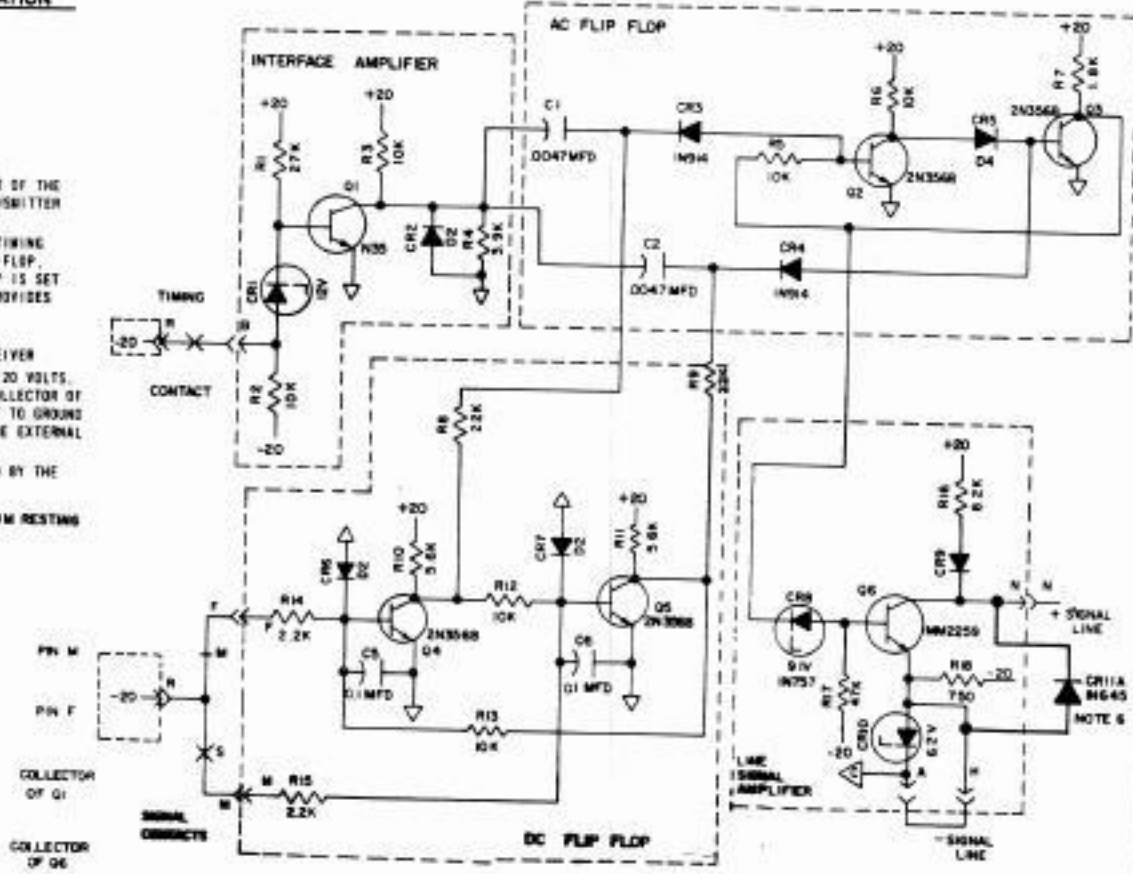
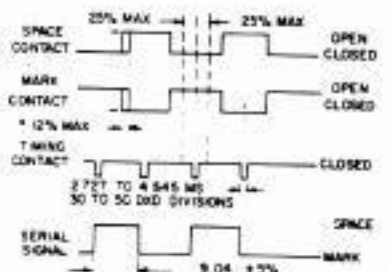
NOTE:
REFER TO 312327 FOR MARKING INFORMATION



THE PURPOSE OF THIS CIRCUIT IS TO REGENERATE THE OUTPUT OF THE SIGNAL GENERATOR CONTACTS OF THE MODEL 35 KEYBOARD AND TRANSMITTER DISTRIBUTOR.

THE INTERFACE AMPLIFIER LIMITS THE VOLTAGE ACROSS THE TIMING CONTACTS AND PROVIDES A NEGATIVE TRANSITION TO THE AC FLIP-FLOP, WHICH WILL BE TRIGGERED BY THE DC FLIP-FLOP. THE DC FLIP-FLOP IS SET BY THE SIGNAL CONTACT CLOSURE. THE LINE SIGNAL AMPLIFIER PROVIDES A TRANSMITTER SWITCH FOR THE LINE SIGNAL.

- NOTES:
1. THE REGENERATOR CARD WILL INTERFACE WITH ANY EIA RECEIVER
 2. FOR ANY UNIT REQUIRING EXTERNAL BATTERY OF LESS THAN 20 VOLTS, CARE MUST BE TAKEN TO PREVENT THE CURRENT FROM THE COLLECTOR OF THE OUTPUT STAGE FLOWING THROUGH THE EXTERNAL CIRCUIT TO GROUND FROM AFFECTING OPERATION OF THE EXTERNAL CIRCUIT. THE EXTERNAL BATTERY MAY BE A MAX. OF 150 VOLTS AND 500MA CURRENT
 3. THE BASE OF TRANSISTORS Q2, Q3, Q4 AND Q5 IS IDENTIFIED BY THE LETTER 'B' SILK SCREENED ON THE CARD
 4. ROUTE TRANSISTOR LEADS TO PREVENT FOOT OF PAD FROM RESTING ON LEADS
 5. TIMING OF REGENERATOR CIRCUIT



CIRCUIT BOARD EC

REF. DES.	QTY	TOTAL QTY	NAME AND DESCRIPTION	LOCATING FUNCTION
C1-C2	300392	3	CAPACITOR 2.0047 MFD	COUPLING
C3-C4	182118	3	CAPACITOR 120 MFD 25WV	FILTER
C5-C7	148832	3	CAPACITOR 0.1 MFD	FILTER
CR1	270385	1	DIODE ZENER INT58 13V	CLAMP
CR2	111122	2	DIODE 8Z	CLAMP
CR3-4	187484	2	DIODE 1N914	COUPLING
CR5	127100	1	DIODE 9A	COUPLING
CR6-7	111122	2	SAME AS CR2	CLAMP
CR8	181882	1	DIODE ZENER INT32 8.1V	REGULATION
CR9	181882	1	DIODE 1N645	CLAMP
CR10	148782	1	DIODE ZENER INT53 6.2V	REGULATOR
CR11	181882	1	RECTIFIER FULL WAVE	POWER SUPPLY
R1	118144	1	RESISTOR 2.1K OHMS	BIAS
R2-R3	129854	8	RESISTOR 10K OHMS	LOAD
R4	143882	1	RESISTOR 3.9K OHMS	LOAD
R5-R6	129854	2	SAME AS R2-R3	COUPLING
R7	137443	1	RESISTOR 1.8K OHMS	COLLECTOR LOAD
R8-R9	118177	2	RESISTOR 22K OHMS	COUPLING
R10-11	118186	2	RESISTOR 5.6K OHMS	COLLECTOR LOAD
R12-13	129854	2	SAME AS R2-R3	COUPLING
R14-15	129852	2	RESISTOR 2.2K OHMS	CURRENT LIMITING
R16	137444	1	RESISTOR 8.2K OHMS	COLLECTOR LOAD
R17	118154	1	RESISTOR 47K OHMS	BIAS
R18	143880	1	RESISTOR 750 OHMS	BIAS
Q1	192134	1	TRANSISTOR N35	ACTIVE ELEMENT
Q2-Q5	315832	4	TRANSISTOR 2N358	ACTIVE ELEMENT
Q6	315932	1	TRANSISTOR MM2258	ACTIVE ELEMENT
EC	312321	1	CIRCUIT CARD, ETCHED	
	144455	2	STRAP 24 AWG	
	RM60840	4	TRANSISTOR P43	
			TUBING	

312325

REVISIONS

ISSUE	DATE	AUTH. NO.
1	10-15-65	17310-R
2	11-1-65	88908
3	11-1-65	28909
4	12-1-65	88905
5	2-21-66	88927
6	8-16-66	91444
7	9-7-66	91444-2
8	9-7-66	91444-3
9	10-18-66	92962
10	11-5-66	92122
11	12-5-66	92193-RC
12	12-12-66	91719
13	4-20-67	93885-RC
14	10-25-68	96269
15	10-28-68	96269-3
16	1-29-69	98172
17	11-11-69	1473
18	3-18-71	2722

APPROVALS

R AND D: HJK
E OF W: [Signature]

E-NUMBER
PROD NO. 312325
DATE 9-3-66
R&D FILE 6A-151A
DRAWN BY [Signature] CHECKED BY [Signature]
ENGR. DCL APPD BY [Signature]

TELETYPE CORPORATION

312325