

35 "CARDATA" * FEEDER (EPCF)
(Edge-Punched Card Feeder)

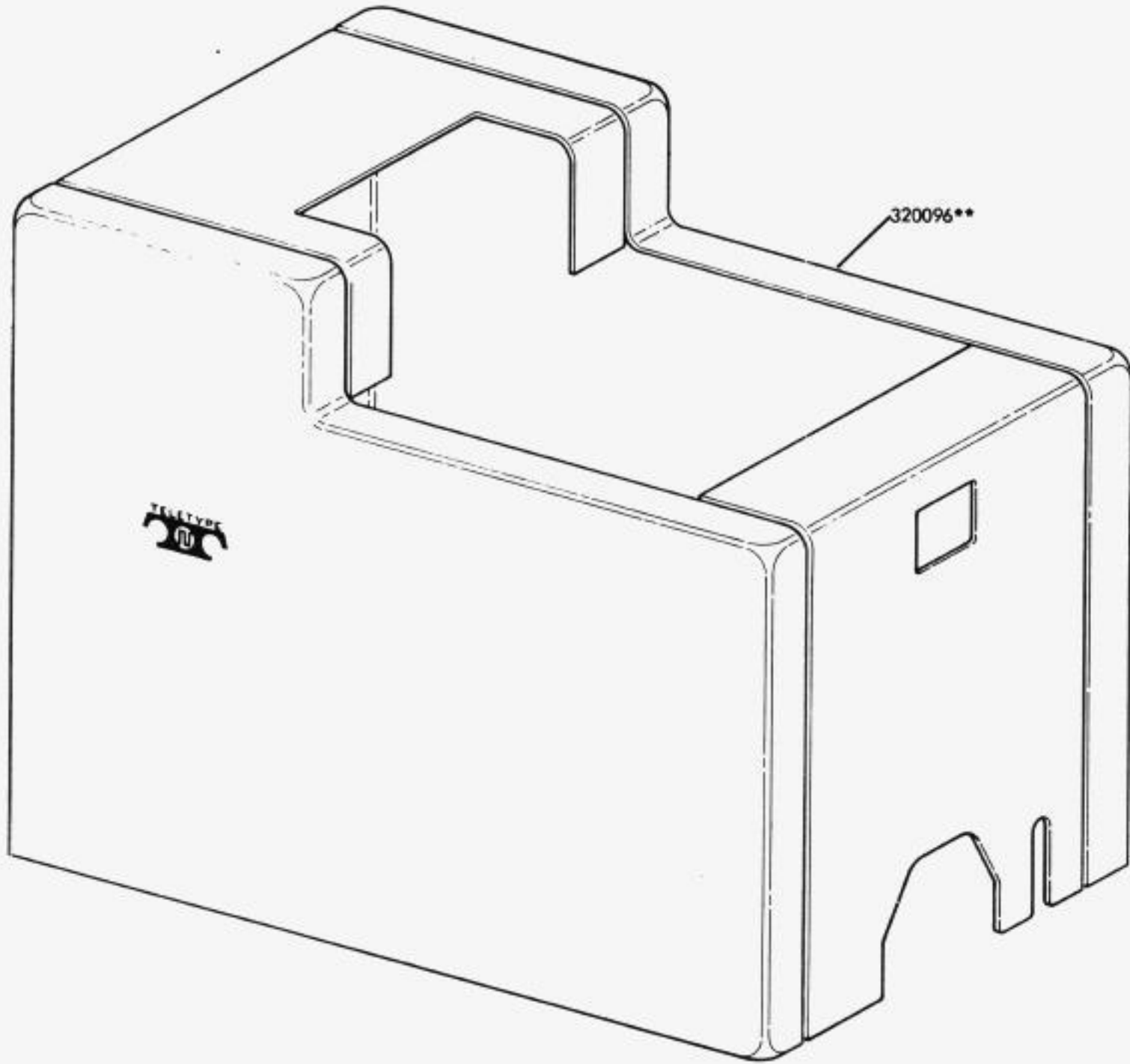
PARTS

FIGURE	CONTENTS	PAGE
1	Cover	2
2	Top Plate	3
3	Detector and Actuator Extension Mechanism	4
4	Ejector Shaft and Top Roller Mechanism	5
5	Separator Stones and Hand Wheel	6
6	Feed Roller and Pulley Mechanism	7
7	Motor and Transfer Shaft	8
8	Vibration Mounts	9
9	Base, Adapters and Guides	10
	Numerical Index	11

PAINT FINISH COLOR CODE CHART									
(For parts and assemblies requiring a paint finish)									
COLOR	Finish Suffix				COLOR	Finish Suffix			
	Wrinkle Finish	Smooth Finish	Textured Vinyl	Smooth Vinyl		Wrinkle Finish	Smooth Finish	Textured Vinyl	Smooth Vinyl
Aluminum		FA			Gray, Dark Metallic		BW		
Aqua, Light				HK	Gray, Federal		BV	GG	
Beige		ET			Gray, Light		EJ		HB
Beige, Light		EL		HC	Gray, Light Olive		EW	GE	HF
Beige, Rose		ER			Gray, Maritime Engine		BY		
Black	AA		GK		Gray, Maritime Deck	AJ	BJ		
Black, High Gloss		BA			Gray, Medium		BS		
Black, Semi Gloss		BB			Gray, Oxford		EP		
Blue, Aqua		EK			Green, Gray	AB	BK	GA	
Blue, Brussels Light		EC			Green, Moss		EN		HD
Blue, Medium		ES			Ivory		EM		HJ
Brown, Dark	AD				Pink, Rose		EU		
Brown, Light	AC			HG	Red, Cherry		EF		
Brown, Mahogany		EQ			Turquoise		EV		
Fawn					White		EH		
Gray, Beige			GC		Yellow, Pastel		EG		
Gray, Charcoal	AL	BZ	GF	HA					
Gray, Dark			GB						
Gray, Dark Covert		FC		HE					

The double asterisk (**) denotes a painted part. Suffix to be applied following the part number.

* Trademark of Teletype Corporation.



**Refer to page 1 for finish suffix

FIGURE 1. COVER

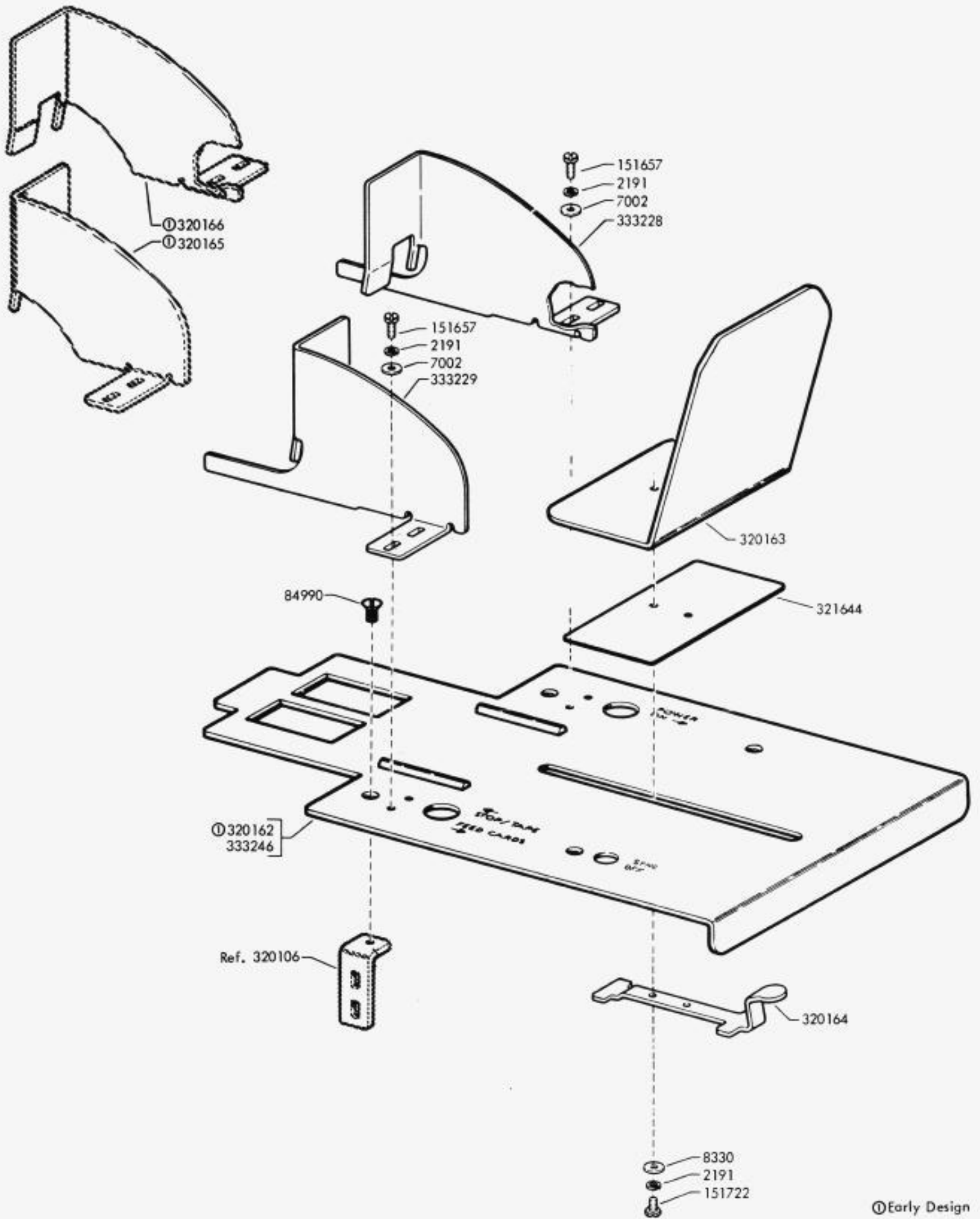


FIGURE 2. TOP PLATE

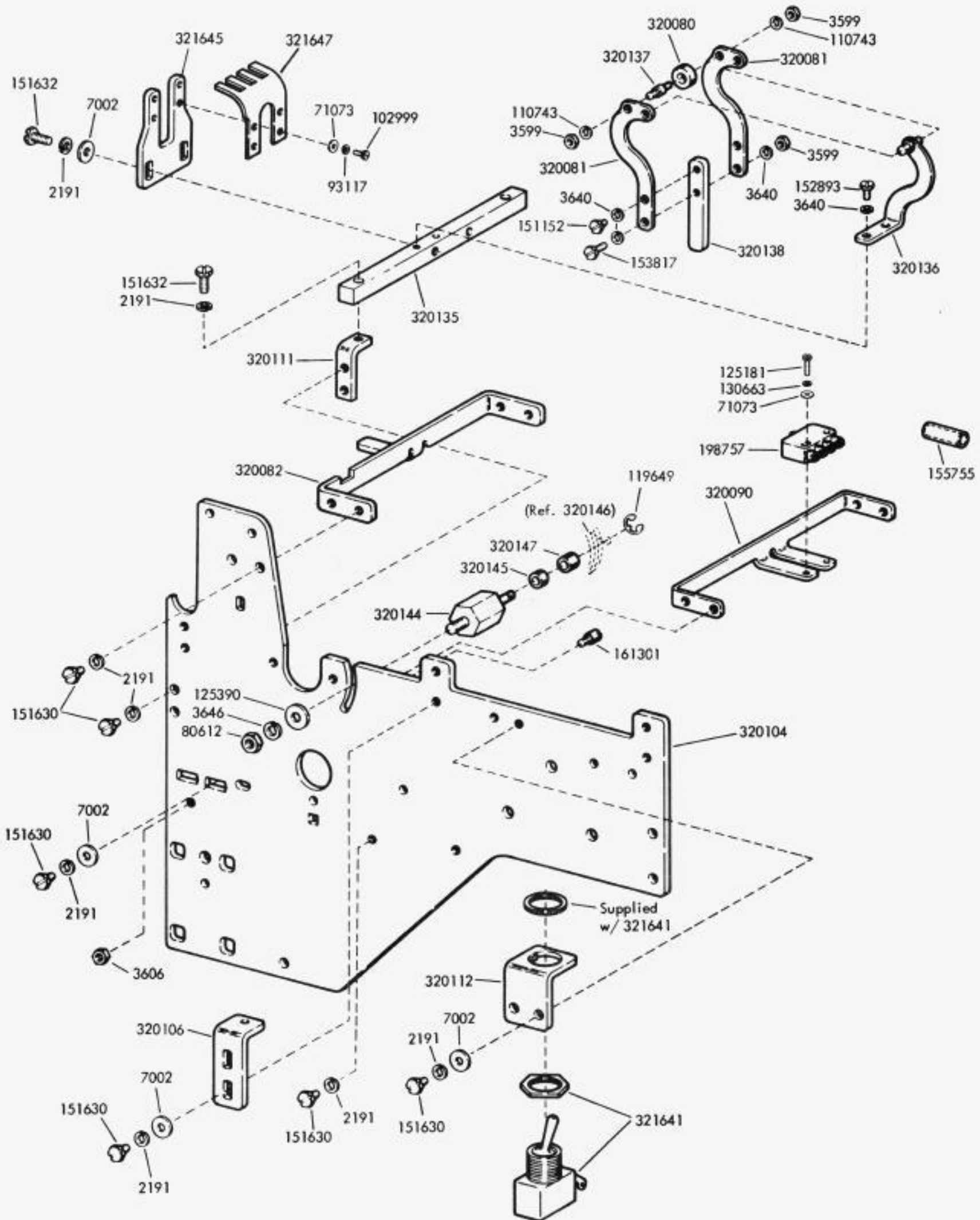


FIGURE 3. DETECTOR AND ACTUATOR EXTENSION MECHANISM

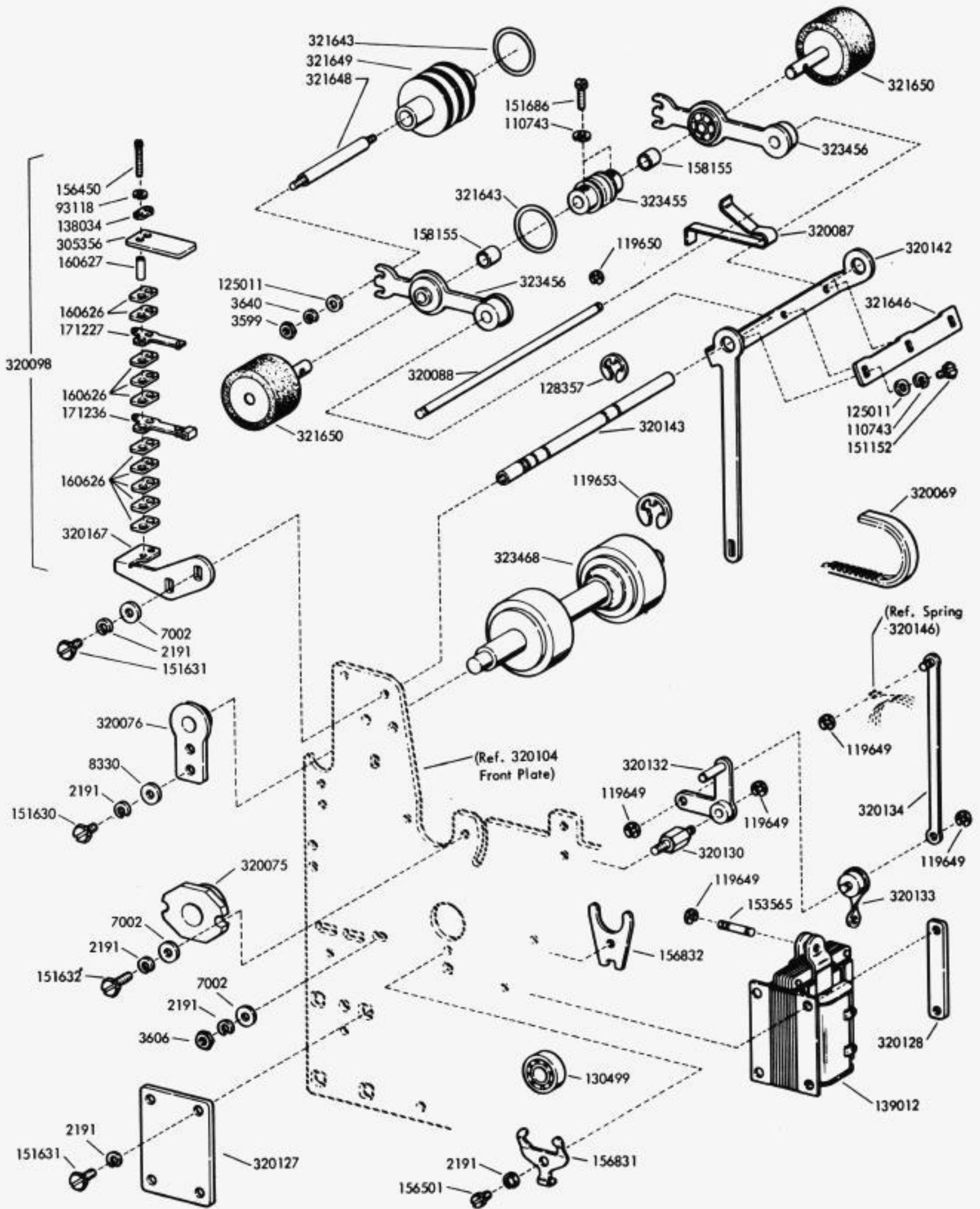


FIGURE 4. EJECTOR SHAFT AND TOP ROLLER MECHANISM

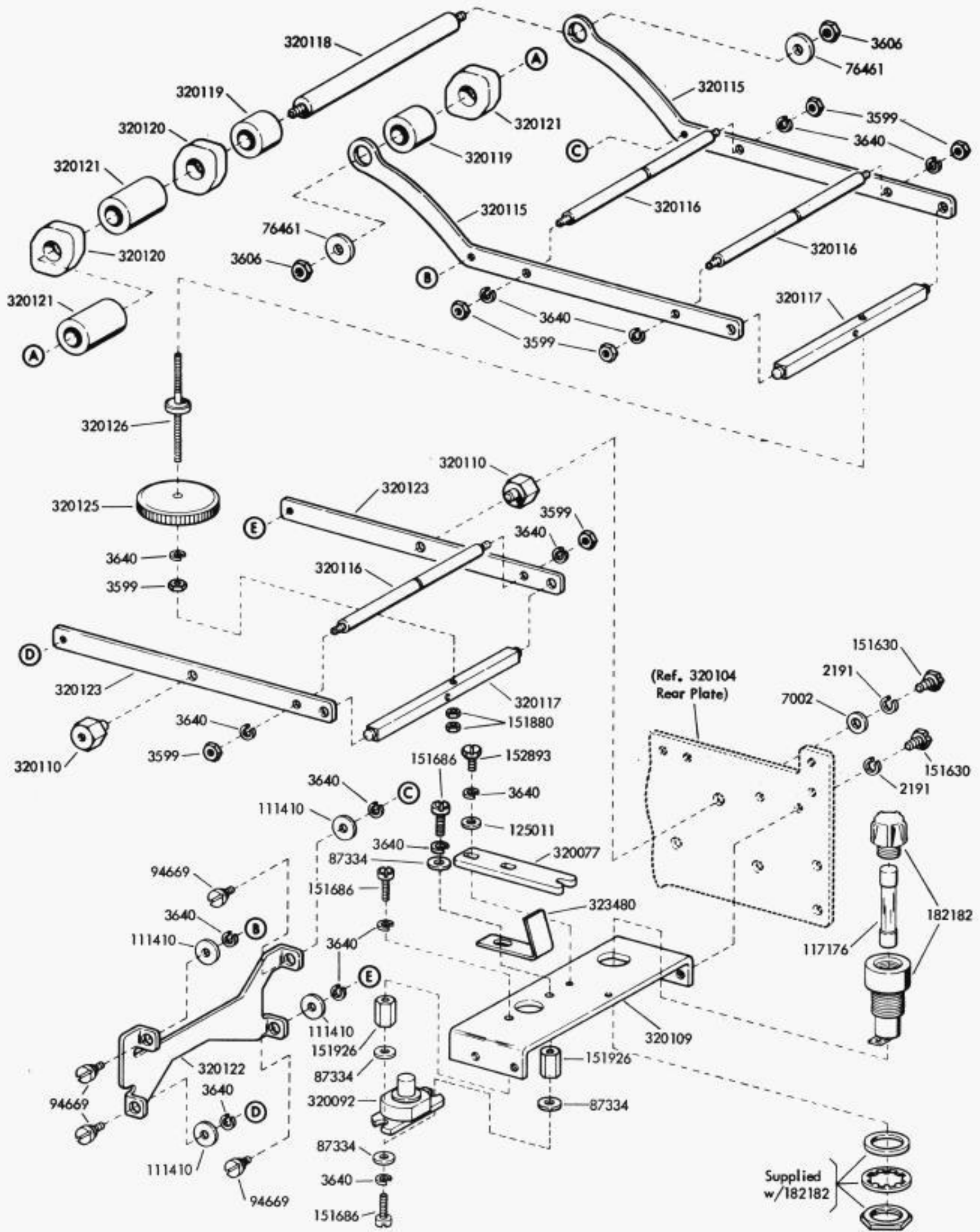


FIGURE 5. SEPARATOR STONES AND HANDWHEEL

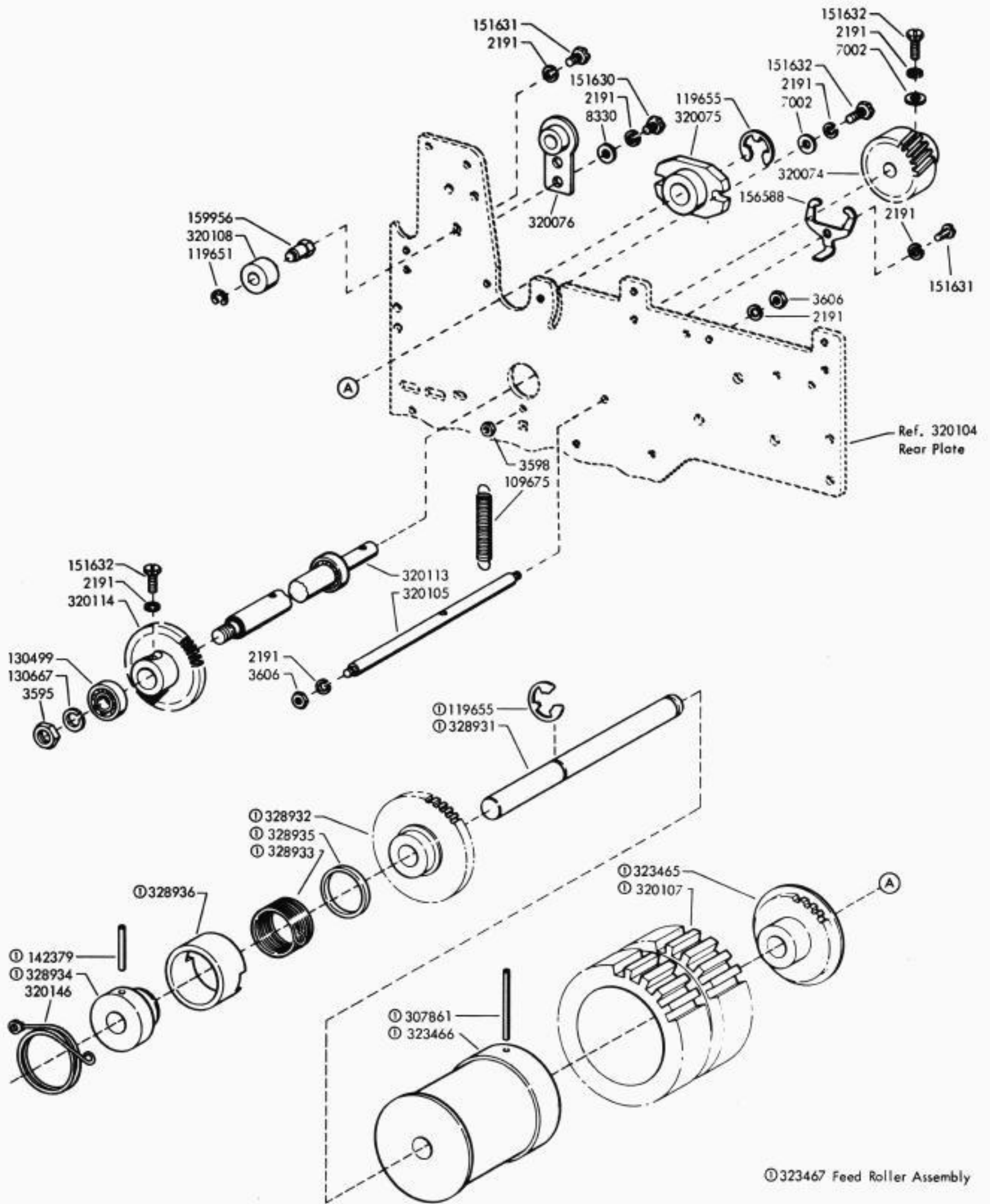


FIGURE 6. FEED ROLLER AND PULLEY MECHANISM

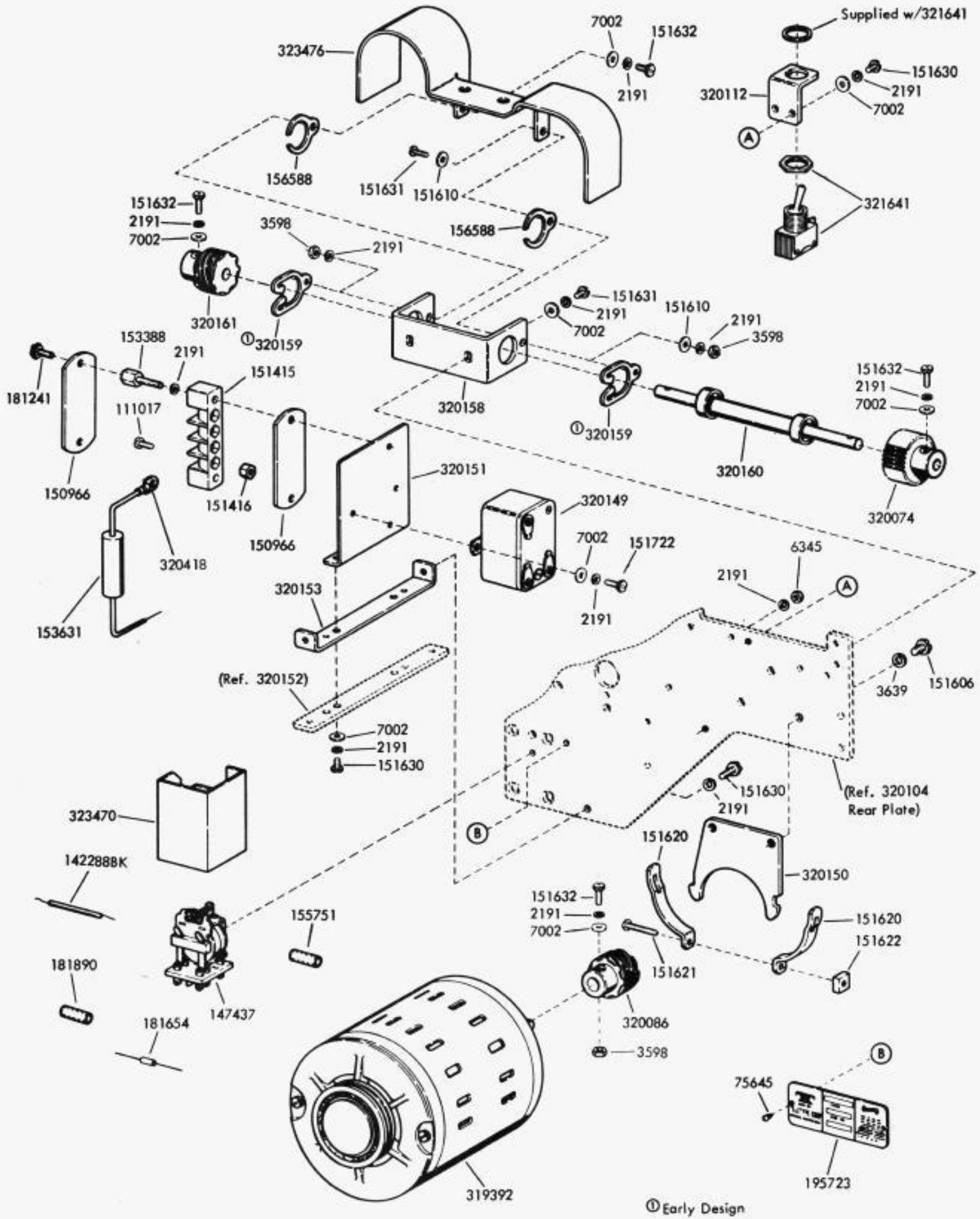


FIGURE 7. MOTOR AND TRANSFER SHAFT

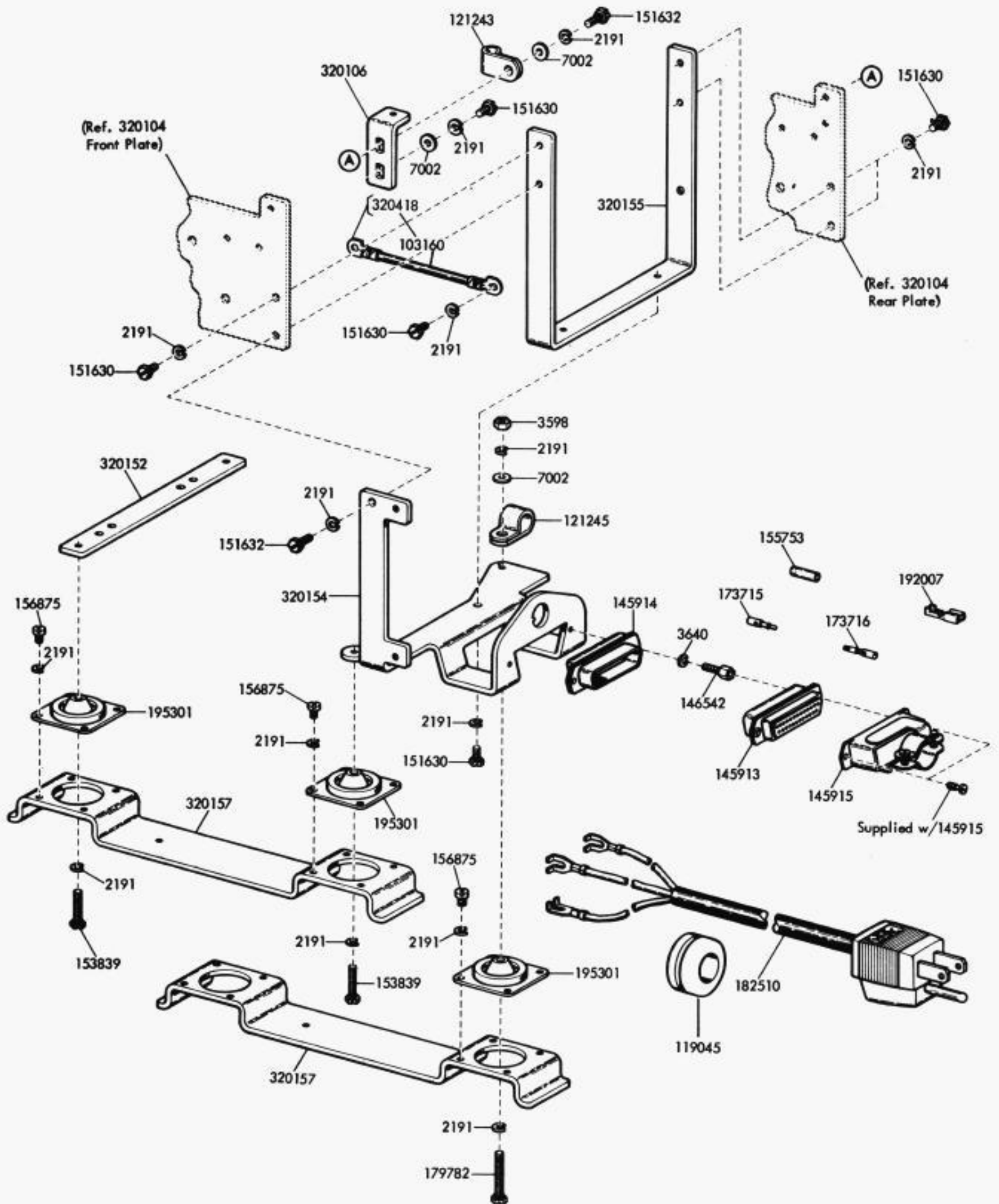
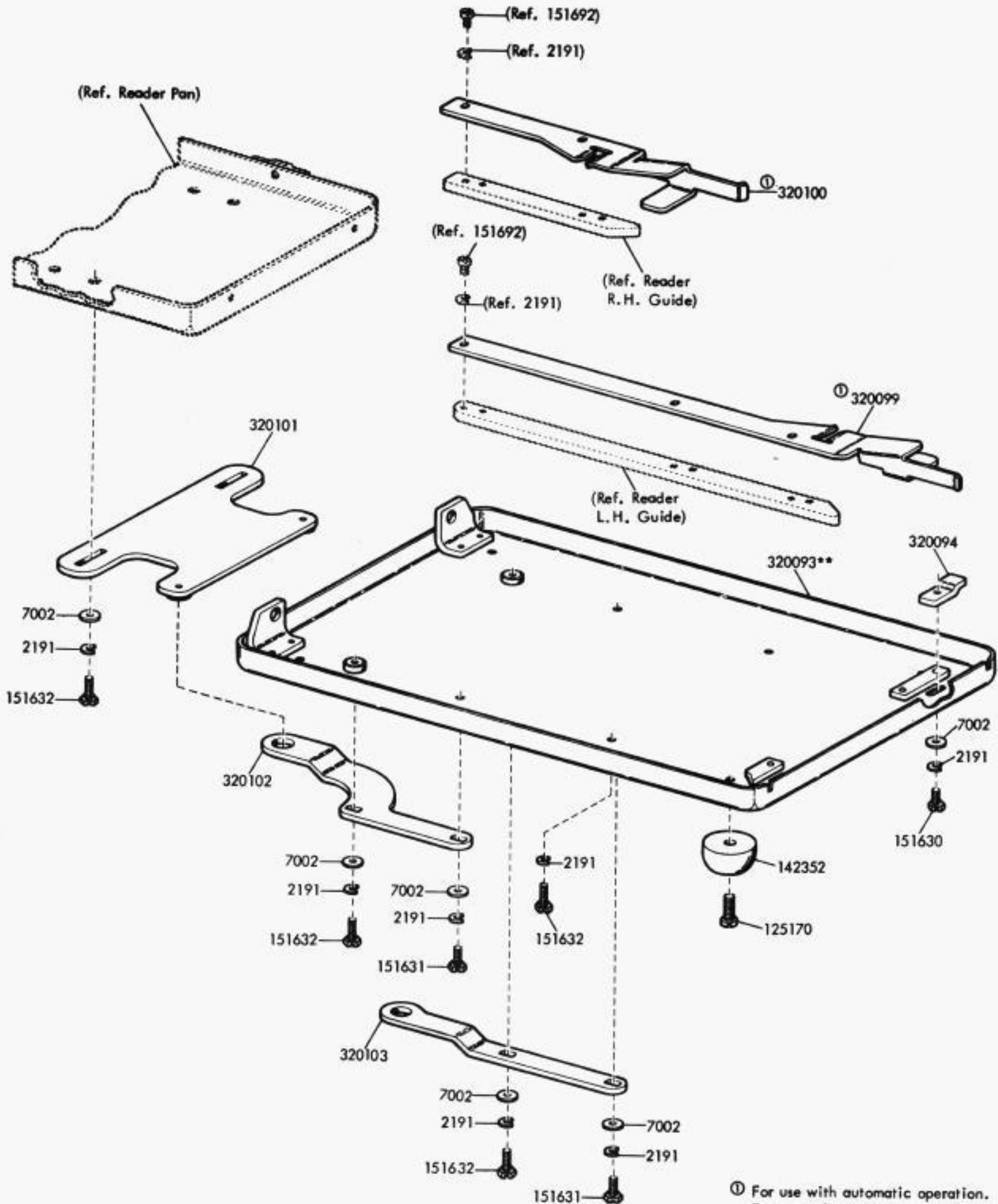


FIGURE 8. VIBRATION MOUNTS



① For use with automatic operation.
For manual operating guides,
see reader section

**Refer to page 1 for finish suffix

FIGURE 9. BASE, ADAPTERS AND GUIDES

NUMERICAL INDEX

Part Number	Description and Page Number	Part Number	Description and Page Number	Part Number	Description and Page Number
2191	Washer, Lock 3 to 10	151657	Screw, 6-40 x 1/4 Fil 3	320099	Adapter, Left Feeder Guide 10
3595	Nut, 1/4-32 Hex 7	151686	Screw, 4-40 x 3/8 Fil 5,6	320100	Adapter, Right Feeder Guide 10
3598	Nut, 6-40 Hex 7,8,9	151692	Screw, 6-40 x 3/16 Fil 10	320101	Connector, Feeder 10
3599	Nut, 4-40 Hex 4,5,6	151722	Screw, 6-40 x 3/16 Hex 3,8	320102	Bracket, Coupler 10
3606	Nut, 6-40 Hex 4,5,6,7	151880	Nut, 4-40 Hex 6	320103	Bracket, Coupler 10
3639	Washer, Lock 8	151926	Nut, 4-40 Spl 6	320104	Frame, Side 4 to 9
3640	Washer, Lock 4,5,6,9	152893	Screw, 4-40 x 1/4 Hex 4,6	320105	Spacer, Main Frame 7
3646	Washer, Lock 4	153388	Stud 8	320106	Bracket 3,4,9
6345	Nut, 6-32 Hex 8	153565	Pin 5	320107	Roll, Rubber Feed 7
7002	Washer, Flat 3 to 10	153631	Network, Spark Suppression 8	320108	Roller, Idler 7
8330	Washer, Flat 3,5,7	153817	Screw, 4-40 x 3/8 Hex 4	320109	Bracket, Guide 6
71073	Washer, Flat 4	153839	Screw, 6-40 x 5/8 Hex 9	320110	Pivot 6
75645	Screw, #0 x 1/8 Drive 8	155751	Sleeve, 1/8 ID x 1" Lg	320111	Bracket, Mounting 4
76461	Washer, Flat 6		Insulating 8	320112	Bracket, Switch 4,8
80612	Nut, 8-32 Hex 4	155753	Sleeve, 1/8 ID x 1/2 " Lg	320113	Shaft 7
84990	Screw, 6-40 x 1/4 Flat 3		Insulating 9	320114	Gear, 29T 7
87334	Washer, Insulating 6	155755	Sleeve, 11/64 ID x 5/8" Lg	320115	Support, Stone 6
93117	Washer, Lock 4		Insulating 4	320116	Spacer, Adjusting Frame 6
93118	Washer, Lock 5	156450	Screw, 2-56 x 1/2 Fil 5	320117	Bar, Cross 6
94669	Screw, 4-40 Shoulder 6	156501	Screw, 6-40 x 7/32 Fil 5	320118	Rod, Stone Alignment 6
102999	Screw, 2-56 x 5/32 Fil 4	156588	Ring, Retaining 7,8	320119	Spacer, .497" Thk 6
103160	Jumper, 2-5/8" Black 9	156831	Clamp 5	320120	Stone, Separator 6
109675	Spring 7	156832	Plate 5	320121	Spacer, .925" Thk 6
110743	Washer, Lock 4,5	156875	Screw, 6-40 x 5/32 Fil 9	320122	Spacer, Front 6
111017	Screw, 6-40 x 5/16 Fil 8	158155	Bearing, Sleeve 5	320123	Bar, Lower 6
111410	Washer, Flat 6	159956	Post 7	320125	Wheel, Adjusting 6
117176	Fuse, SL-BL .5 Amp 6	160626	Insulator, .031" Thk 5	320126	Screw, 4-40 Adjusting 6
119045	Grommet, Rubber 9	160627	Bushing, Insulating 5	320127	Plate, Backing 5
119649	Ring, Retaining 4,5	161301	Post 4	320128	Plate, Nut 5
119650	Ring, Retaining 5	171227	Spring, Contact 5	320130	Post 5
119651	Ring, Retaining 7	171236	Spring, Contact 5	320132	Bellcrank 5
119653	Ring, Retaining 5	173715	Terminal, Plug Type 9	320133	Link w/Post 5
119655	Ring, Retaining 7	173716	Terminal, Receptacle Type 9	320134	Link w/Stud 5
121243	Clamp, 3/16 ID Cable 9	179782	Screw, 6-40 x 7/8 Hex 9	320135	Support, Detector Pivot 4
121245	Clamp, 5/16 ID Cable 9	181241	Screw w/Lockwasher, 6-40 x 1/4 Hex 8	320136	Pivot, Detector 4
125011	Washer, Flat 5,6		Diode 8	320137	Shaft, Detector Roller 4
125170	Screw, 8-32 x 5/16 Fil 10	181654	Sleeve, 1/16 ID x 1" Lg	320138	Extension, Actuator Link 4
125181	Screw, 2-56 x 3/8 Fil 4	181890	Insulating 8	320142	Bail, Roller Lift 5
125390	Washer, Flat 4		Holder, Fuse 6	320143	Pivot 5
128357	Ring, Retaining 5	182182	Cord, Power 9	320144	Stud 4
130499	Bearing, Ball 5,7	182510	Terminal, Tab Type 9	320145	Spacer, .105" Thk 4
130663	Washer, Lock 4	192007	Mount, Vibration 9	320146	Spring, Clutch Brake 4,5,7
130667	Plate, Clamp 5	195301	Plate, Identification 8	320147	Spacer, .218" Thk 4
138034	Solenoid, 85 Ohm 5	195723	Switch 4	320149	Relay 8
139012	Jumper, 2" Black 8	198757	Insulator 5	320150	Mount, Motor 8
142288BK	Foot, Mounting 10	305356	Pin, Roll 7	320151	Plate, Relay 8
142352	Pin, Roll 7	307861	Motor, 115V Induction 8	320152	Plate, Front 8,9
142379	Connector, 25 Pt Receptacle Type 9	319392	Belt, 40T 5	320153	Brace, Lower Front 8
145913	Connector, 25 Pt Plug Type 9	320069	Gear, 34T 7,8	320154	Plate, Rear Mounting 9
145914	Clamp, Cable 9	320074	Hub, Feed Roller 5,7	320155	Brace, Lower Rear 9
146542	Post Assembly 9	320075	Block 5,7	320157	Foot 9
147437	Relay, 118 Ohm 8	320076	Guide 6	320158	Block, Bearing 8
150966	Insulator, Terminal Block 8	320077	Roller, Detector 4	320159	Retainer, Bearing 8
151152	Screw, 4-40 x 3/16 Hex 4,5	320080	Link, Actuator 4	320160	Shaft, Transfer 8
151415	Block, Terminal 8	320081	Bracket 4	320161	Pinion, 8T 8
151416	Nut, 6-40 Hex 8	320082	Pinion, 8T 8	320162	Plate, Top 3
151606	Screw, 10-32 x 1/4 Hex 8	320086	Spring, Leaf 5	320163	Support, Card 3
151610	Washer, Flat 8	320087	Pin, Leaf Spring 5	320164	Clamp 3
151620	Strap, Motor Mounting 8	320088	Bracket, Switch 4	320165	Guide, Left 3
151621	Screw, 6-32 x 3/4 Rd 8	320090	Switch, Thermostatic 6	320166	Guide, Right 3
151622	Nut, 6-32 Sq 8	320092	Base 10	320167	Bracket, Contact 5
151630	Screw, 6-40 x 1/4 Hex 4 to 10	320093**	Clamp 10	320418	Terminal, Ring Type 8,9
151631	Screw, 6-40 x 5/16 Hex 5,7,8,10	320094	Cover 2	321641	Switch, Toggle 4,8
151632	Screw, 6-40 x 3/8 Hex 4,5,7,8,9,10	320096**	Contact Assembly, Ejector Roller 5	321643	Ring, "O" 5
		320098		321644	Shim, .005" Thk Nylon 3
				321645	Bracket 4

**Refer to Page 1 for finish suffix

NUMERICAL INDEX (Continued)

Part Number	Description and Page Number	Part Number	Description and Page Number	Part Number	Description and Page Number
321646	Strip, Adjusting 5	323465	Pulley, 24T 7	328932	Gear, 36T 7
321647	Spring 4	323466	Roller 7	328933	Spring, Torsion 7
321648	Shaft 5	323467	Roller w/Pulley, Feed 7	328934	Arbor, Drive 7
321649	Roller 5	323468	Shaft w/Pulley 5	328935	Spacer, .078" Thk 7
321650	Roller 5	323470	Insulator 8	328936	Confiner, Clutch 7
323455	Pulley 5	323476	Guard, Gear 8	333228	Guide, Right 3
323456	Link w/Bushing 5	323480	Bracket 6	333229	Guide, Left 3
		328931	Shaft 7	333246	Plate, Top 3