

35 AUTOMATIC SEND-RECEIVE CABINET (LAAC) - ASR

PARTS

FIGURE	CONTENTS	PAGE	FIGURE	CONTENTS	PAGE
1	Upper Cover	2	23	333456 Modification Kit to Provide Mobility for Cabinet	22
2	Lower Cover	3	24	323424** Intermediate Tape Storage Bin Assembly	23
3	Pedestal and Mounting Rack	4	25	321584** Modification Kit to Provide Shelf for Center Unwinder	24
4	Frame and Mounting Brackets	5	26	321585** (Single) and 321586** (Double) Modification Kits to Provide Mounting Shelf for Tape Winders	24
5	Control Panels	6	27	340097 Chad Box Assembly	25
6	Control Panels (Continued)	7	28	178387 Modification Kit to Provide High Voltage Static Eliminator to Neutralize Electrostatic Charge on Page Copy	26
7	Control Panels (Continued)	8	29	343691** Modification Kit to Provide a Shelf Assembly for Attendant Set Mounting	26
8	Control Panel Components	9	30	336474** Modification Kit, to Adapt (UCC 29) Call Control for use in Model 35 Sets (Datrex)	27
9	Control Panel Components (Continued)	10	31	336474** Modification Kit to Adapt (UCC 29) Call Control for use in Model 35 Sets (Datrex) (Continued)	28
10	Faceplates	11		Numerical Index	29
11	Faceplates (Continued)	12			
12	Lamp Bracket and Line Guide Assemblies	13			
13	Paper Handling and Directory Holder Modification Kits	14			
14	Modification Kits to Provide Shelves for Tape Winders and Unwinders	15			
15	Speaker, Signal Bell and Hand Held Receiver	16			
16	301677** Telephone Assembly	17			
17	307228** Modification Kit to Add Offset Copyholder	18			
18	195833** and 198177** Modification Kit to Provide Housing for the Auxiliary Reperforator	19			
19	Cover Plates and Tape Chutes	20			
20	312411** Keyset Switch Assembly	21			
21	Module Mounting Facilities	21			
22	329018 Bubble Assembly (Single Sheet Insertion)	22			

PAINT FINISH COLOR CODE CHART			
COLOR	Finish Suffix		
	Smooth Finish	Textured Vinyl	Smooth Vinyl
Charcoal Gray	BZ		HA
Dark Covert Gray	FC		
Light Gray			HB
Light Olive Gray	EW		HF
Gray Green	BK	GA	

The double asterisk(**) denotes a painted part.
Suffix to be applied following the part number.

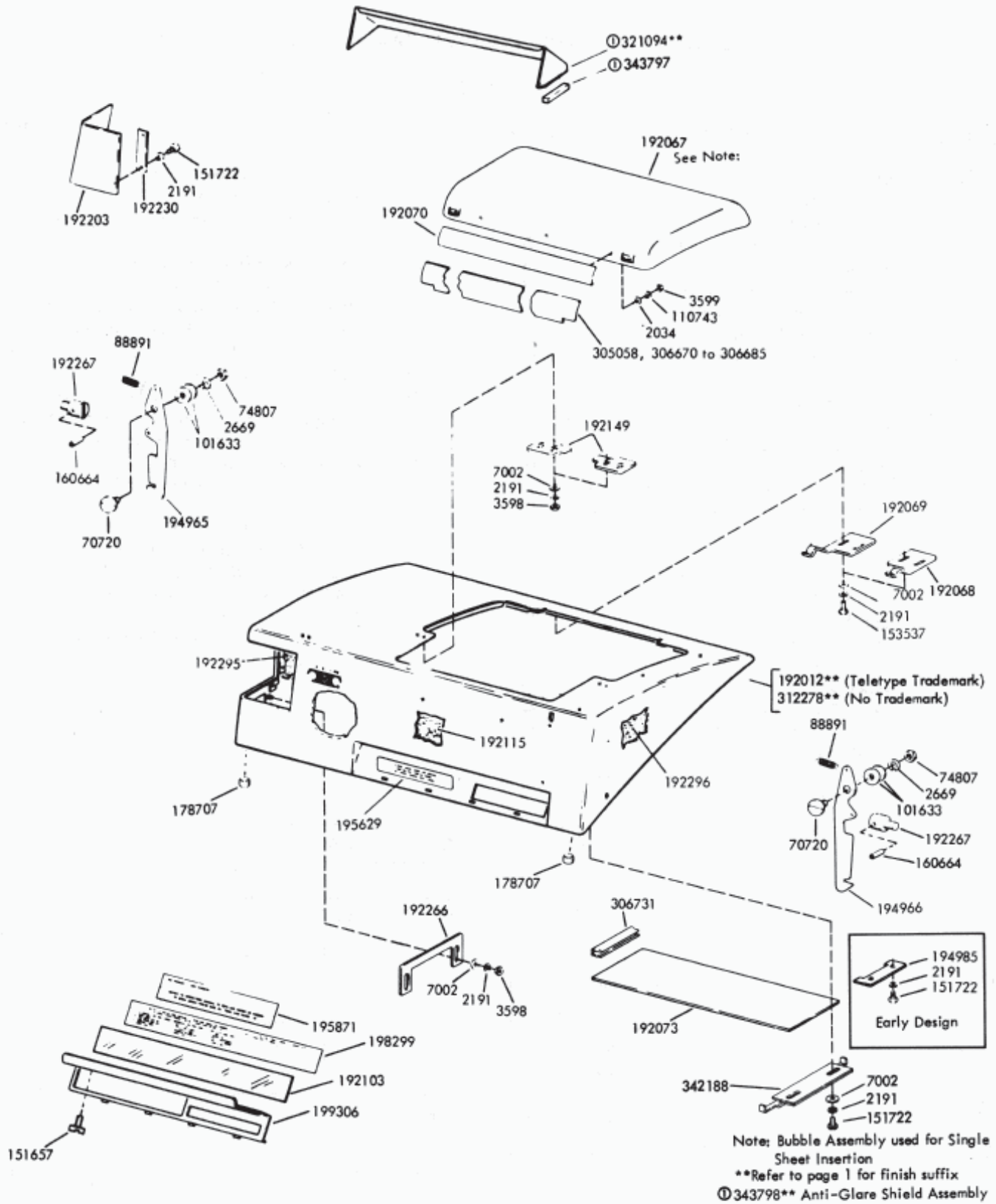


FIGURE 1. UPPER COVER

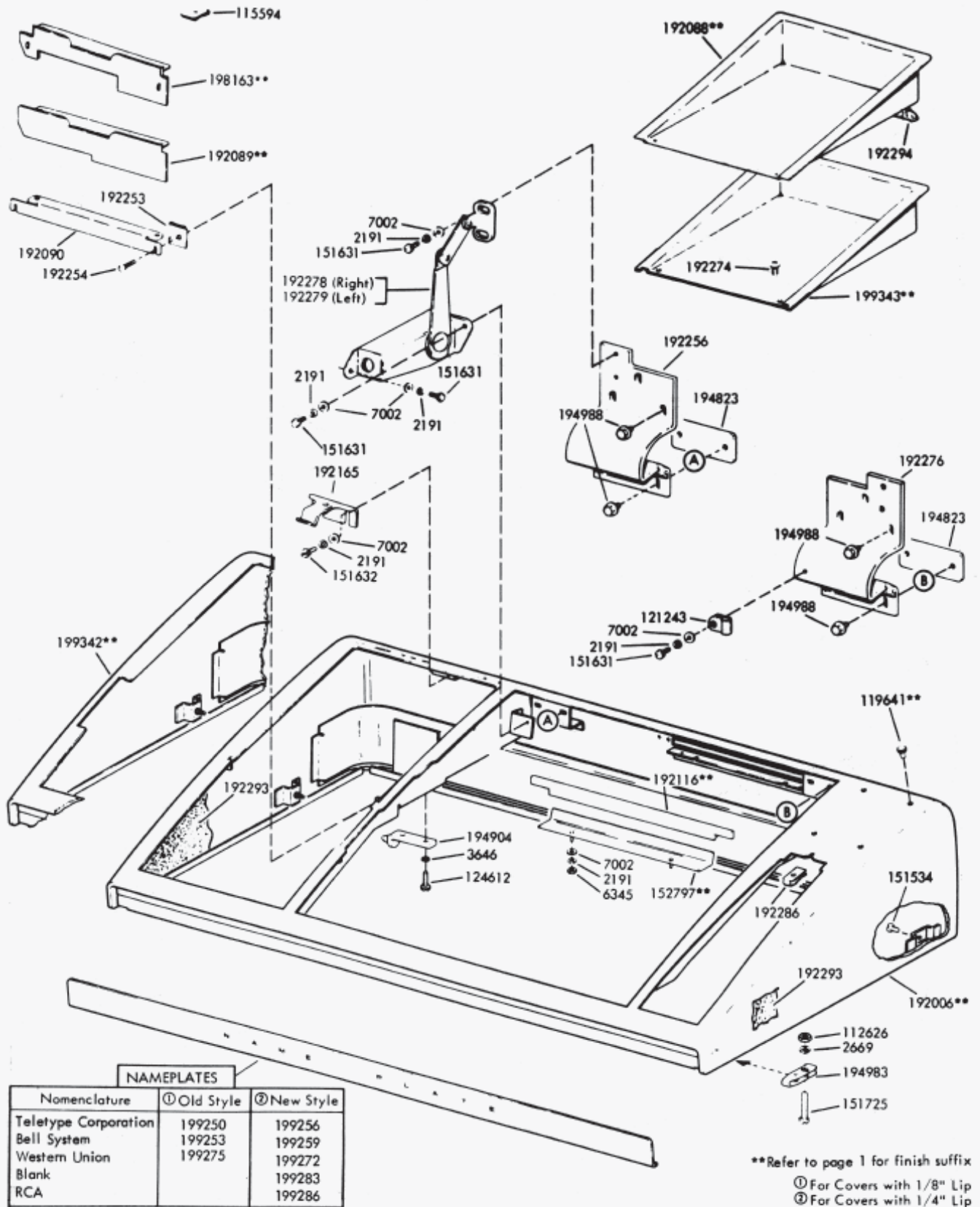


FIGURE 2. LOWER COVER

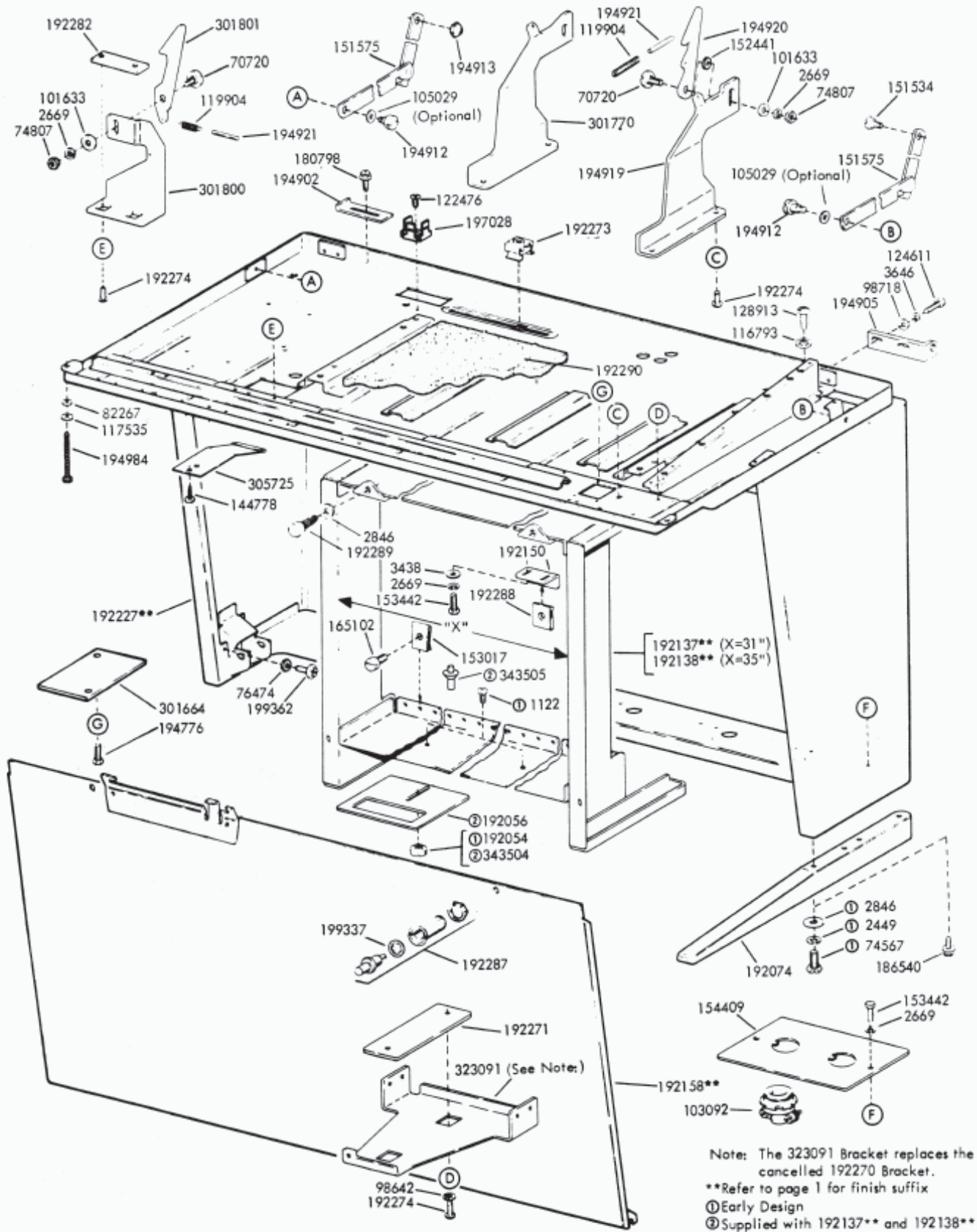
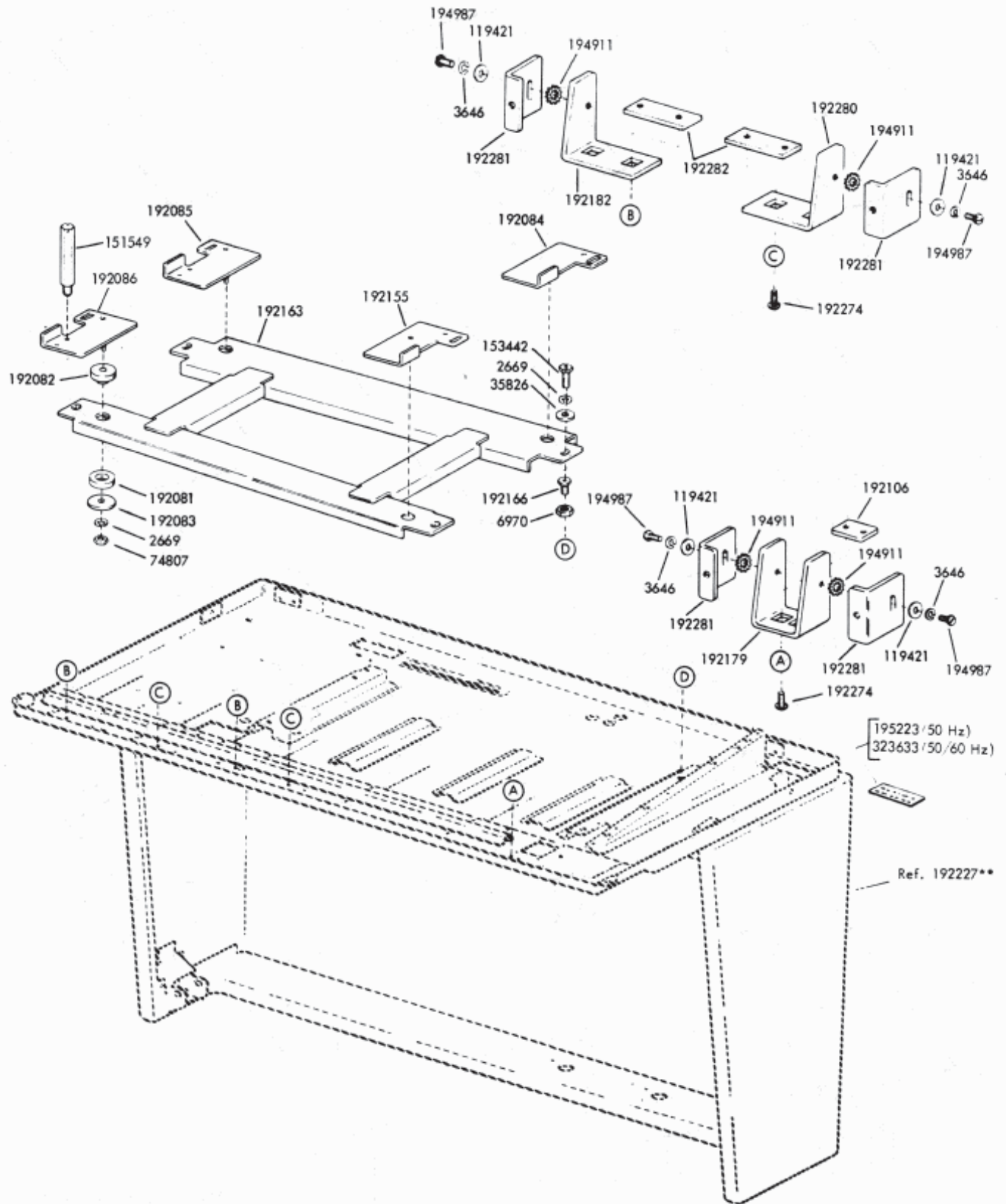
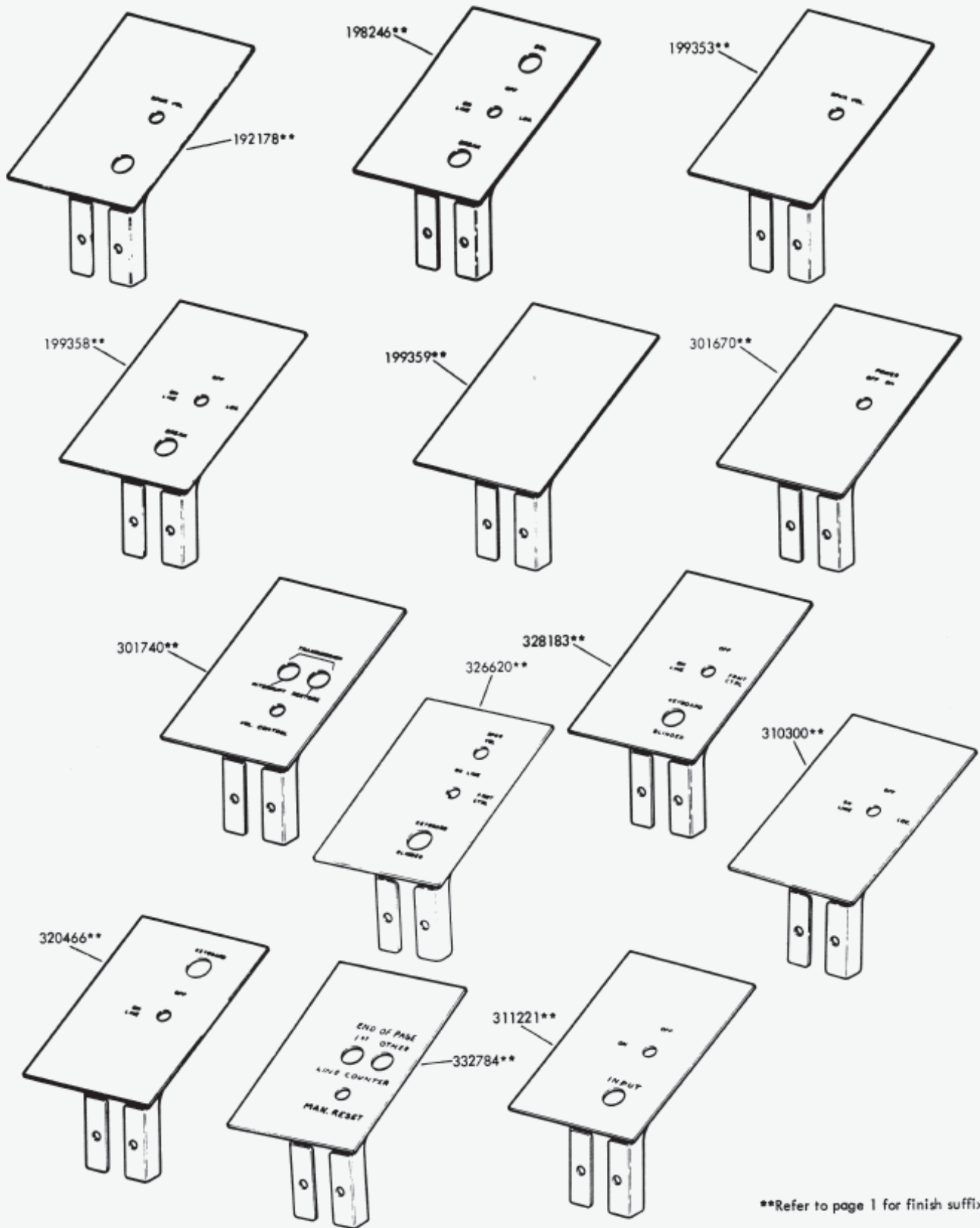


FIGURE 3. PEDESTAL AND MOUNTING RACK



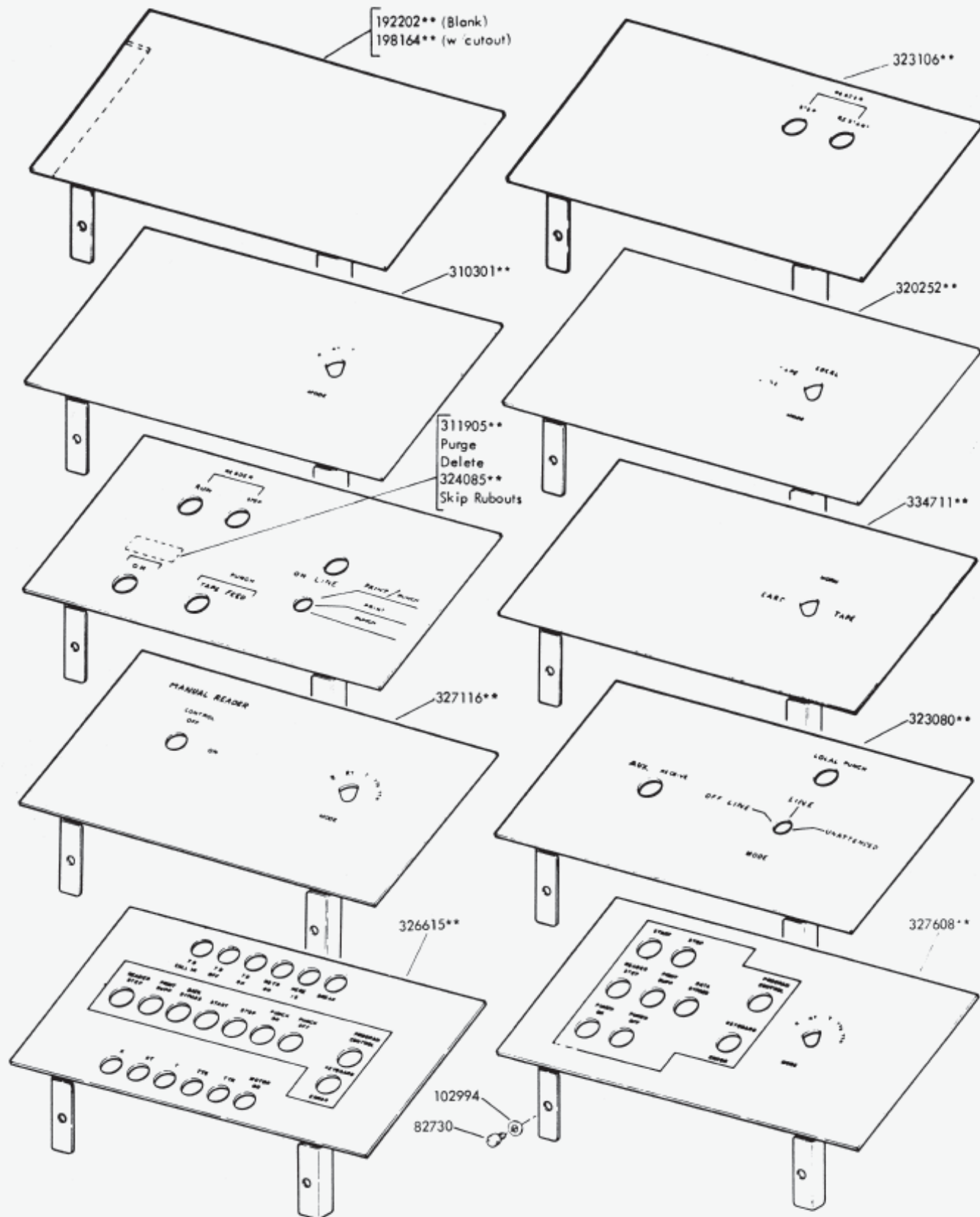
**Refer to page 1 for finish suffix

FIGURE 4. FRAME AND MOUNTING BRACKETS



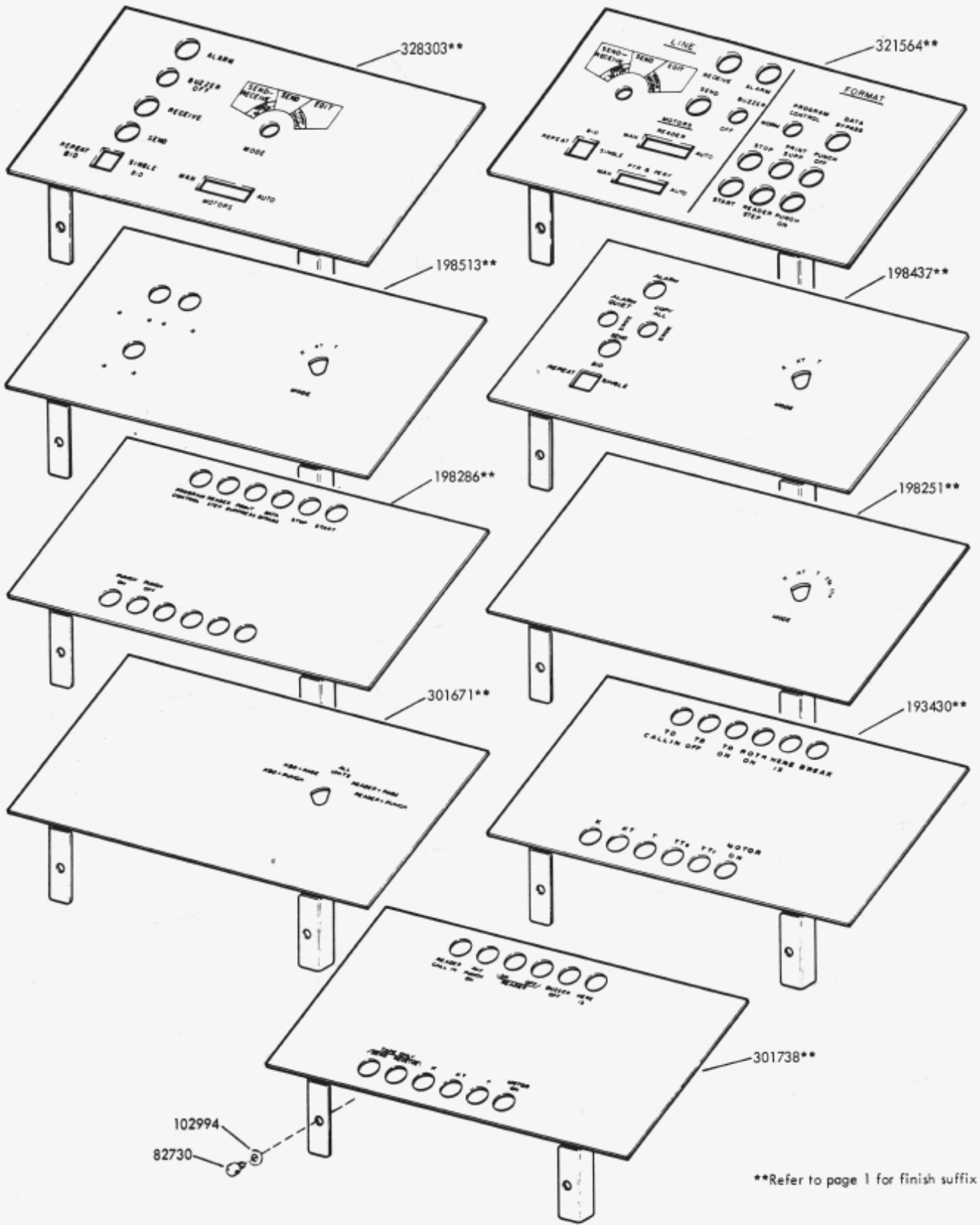
**Refer to page 1 for finish suffix

FIGURE 5. CONTROL PANELS



**Refer to page 1 for finish suffix

FIGURE 6. CONTROL PANELS (Continued)



**Refer to page 1 for finish suffix

FIGURE 7. CONTROL PANELS (Continued)

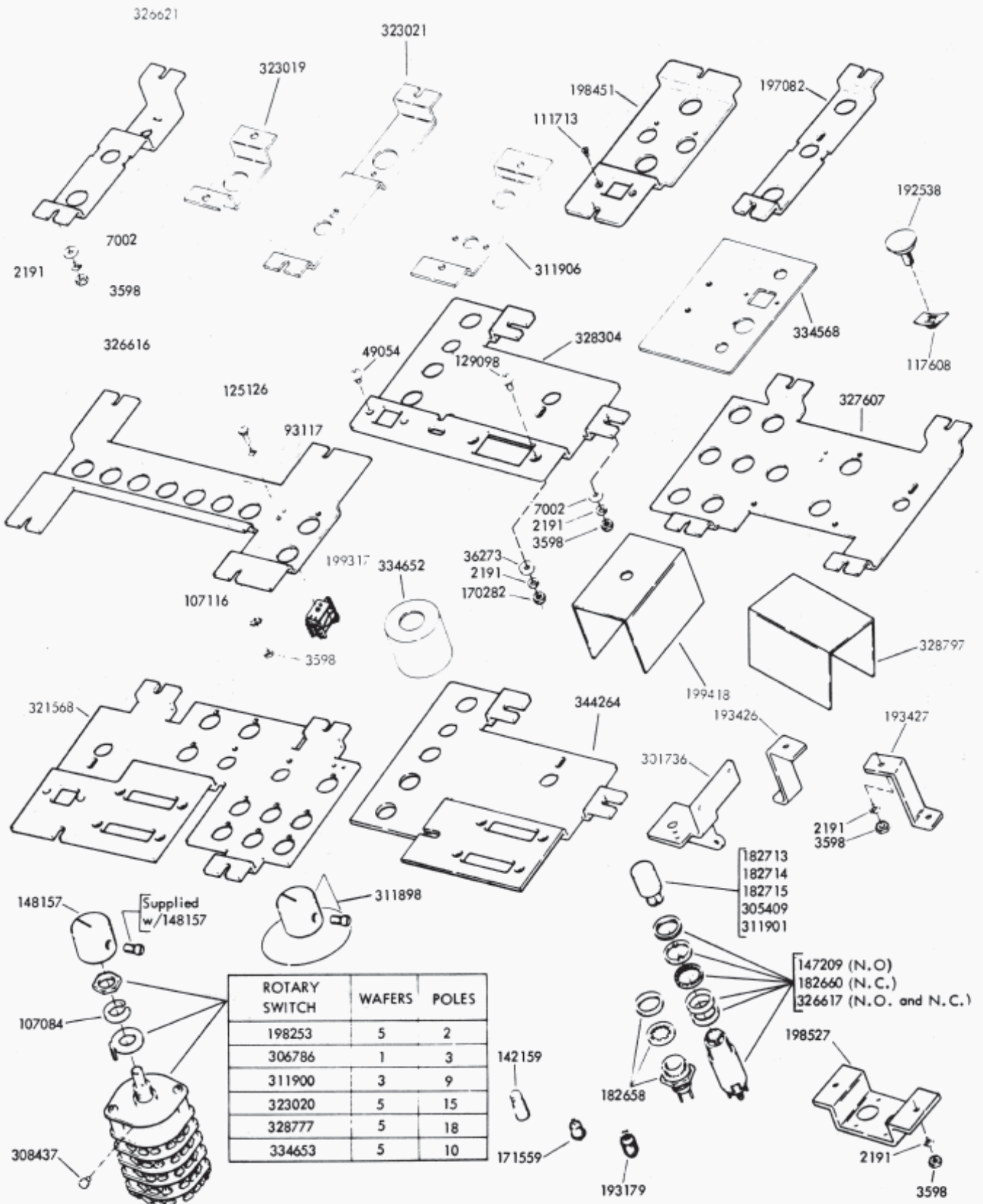


FIGURE 8. CONTROL PANEL COMPONENTS

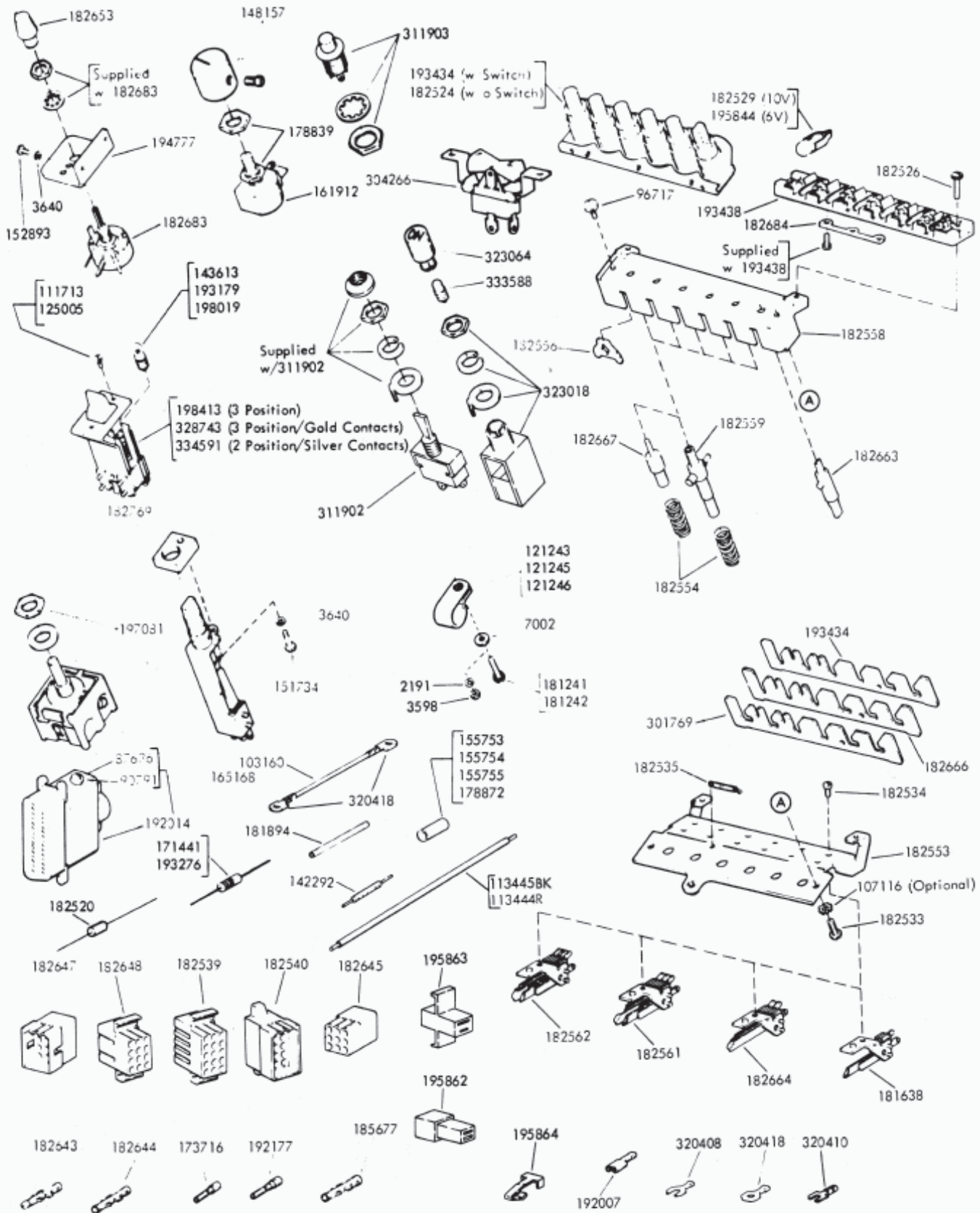


FIGURE 9. CONTROL PANEL COMPONENTS (Continued)

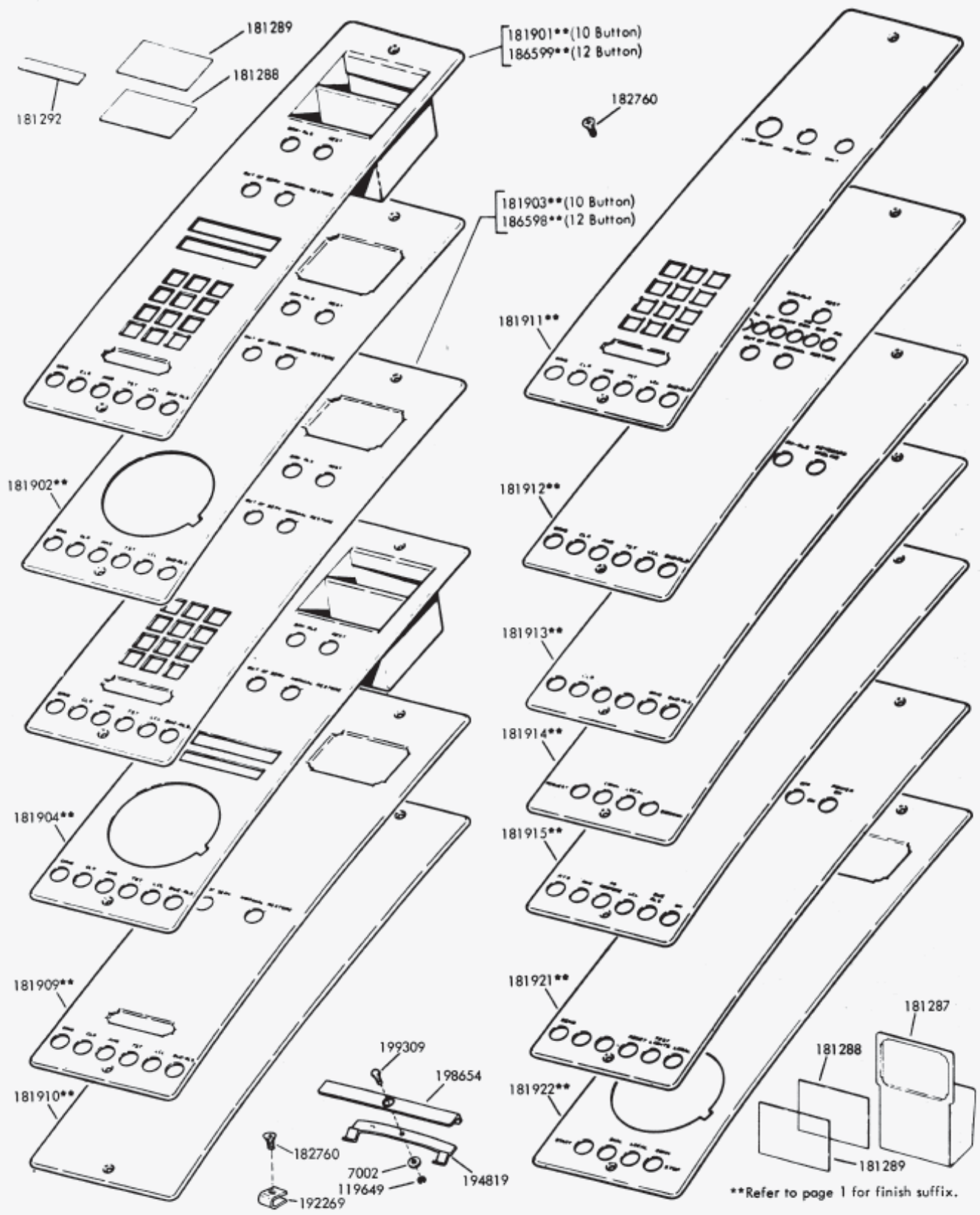
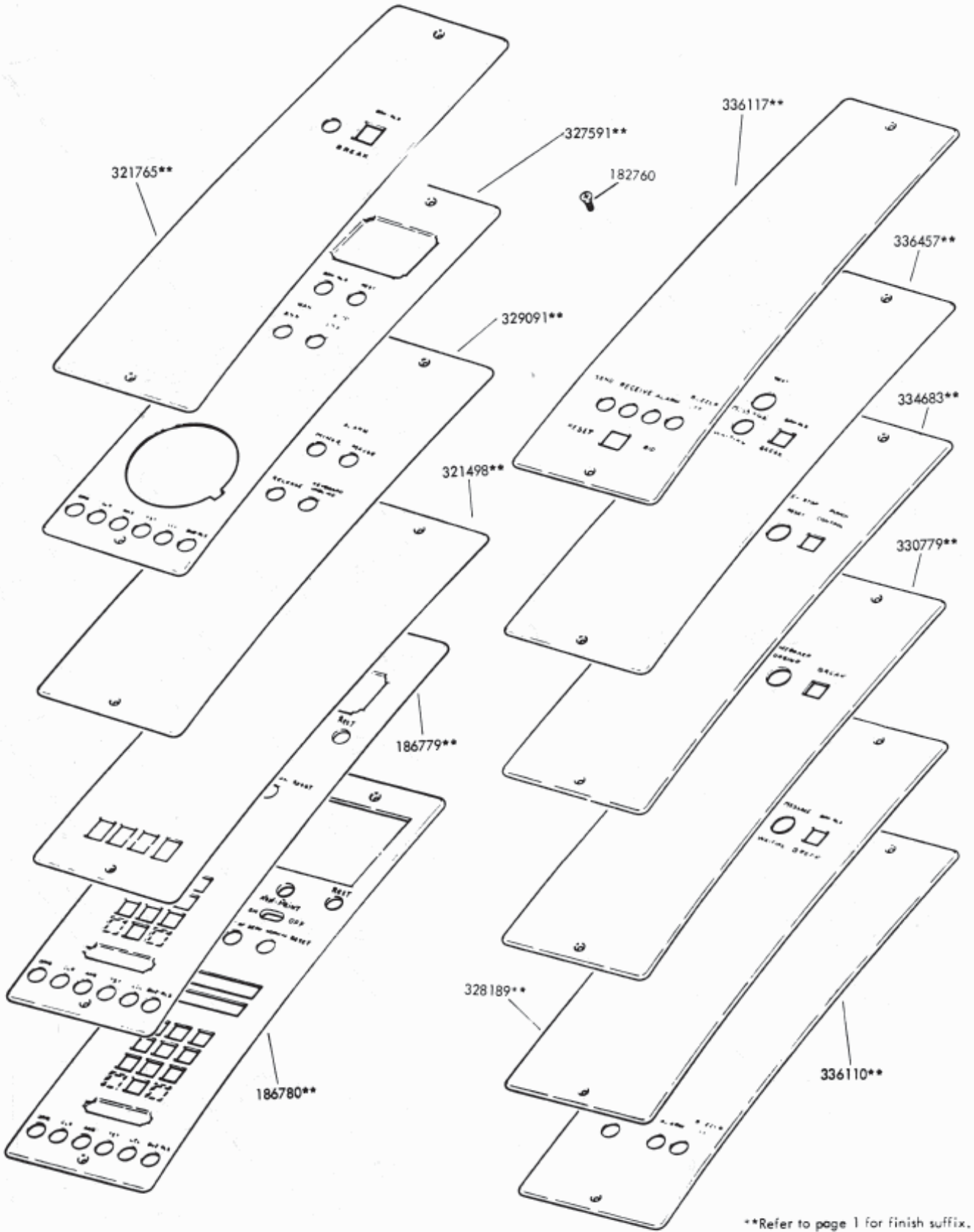
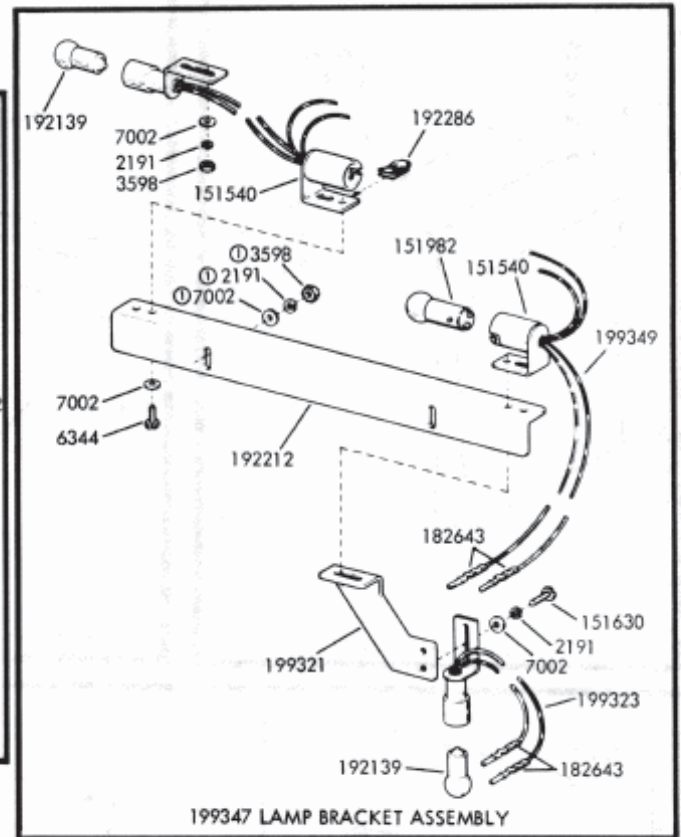
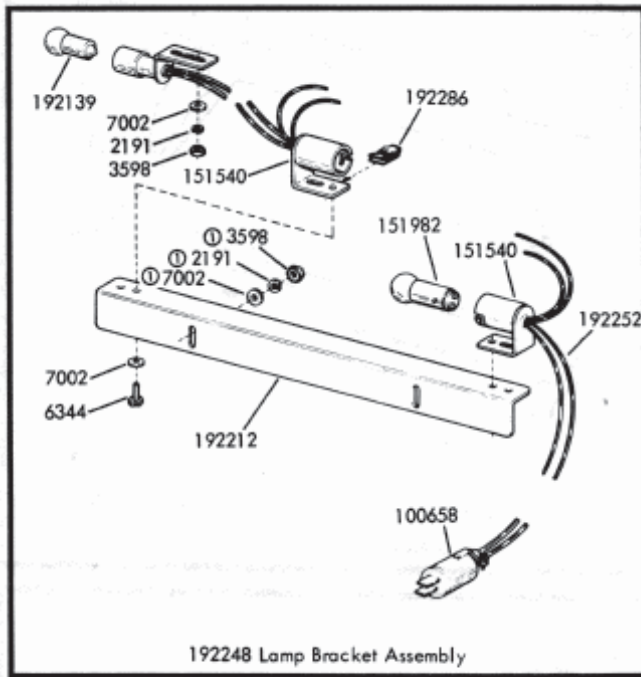


FIGURE 10. FACEPLATES



**Refer to page 1 for finish suffix.

FIGURE 11. FACEPLATES (Continued)



Ⓢ Not part of 192248 or 199347

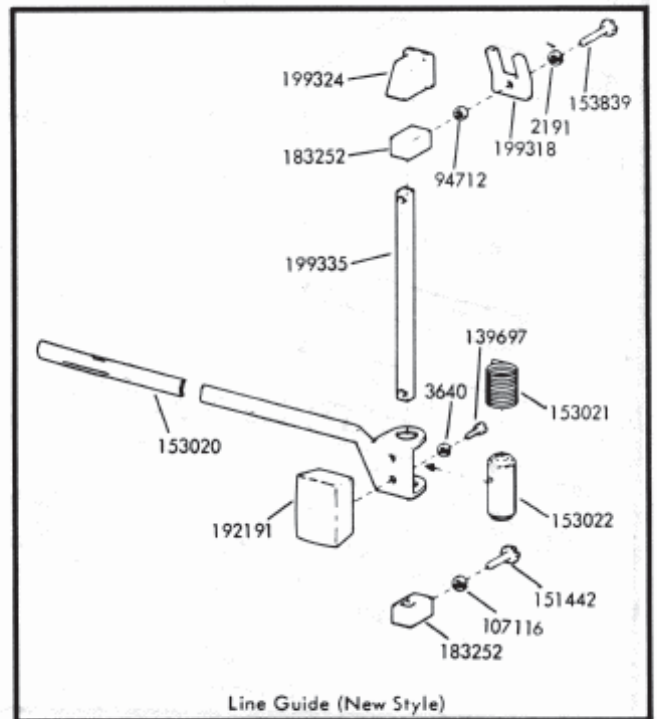
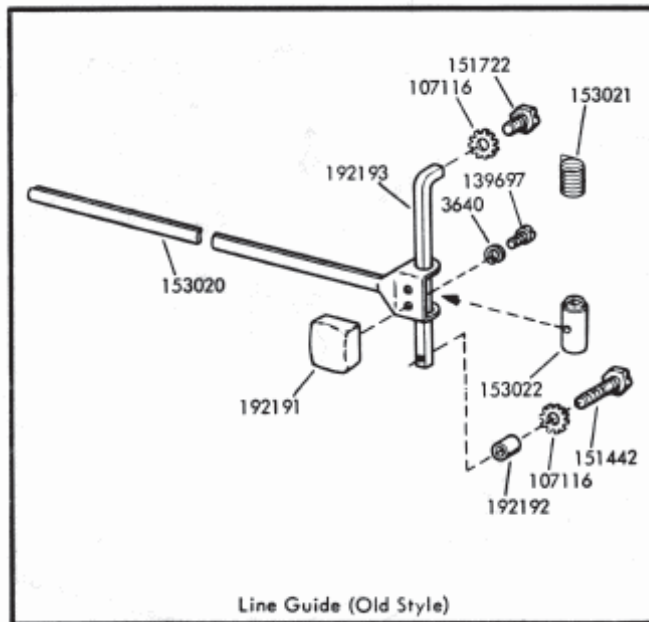


FIGURE 12. LAMP BRACKET AND LINE GUIDE ASSEMBLIES

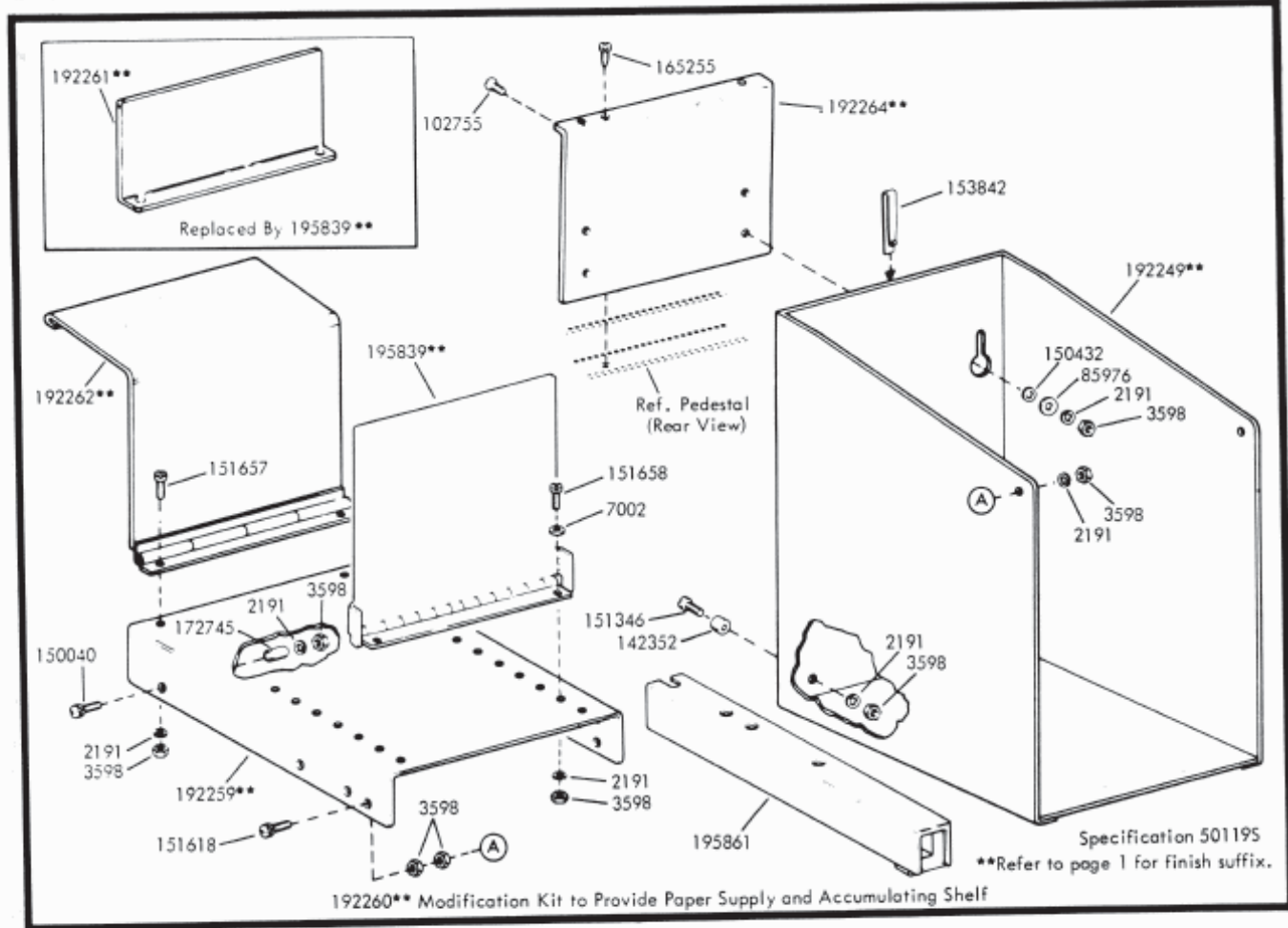
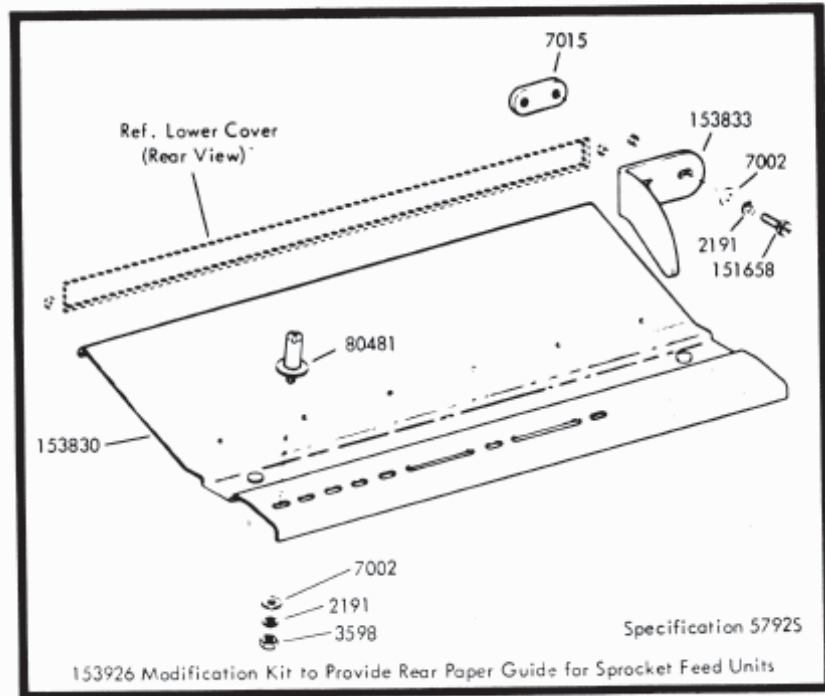
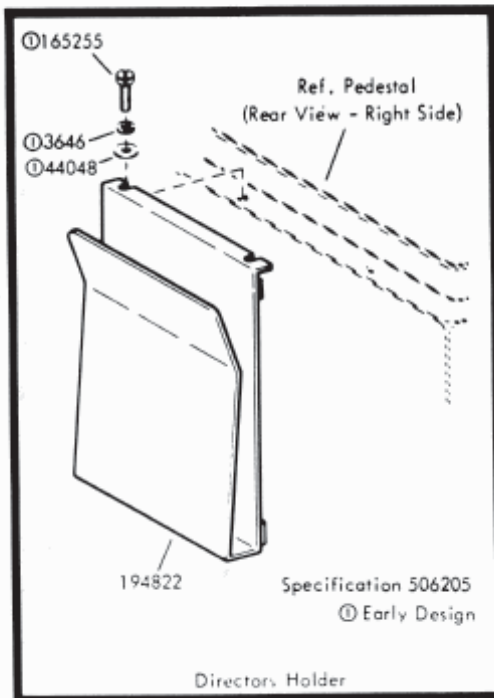
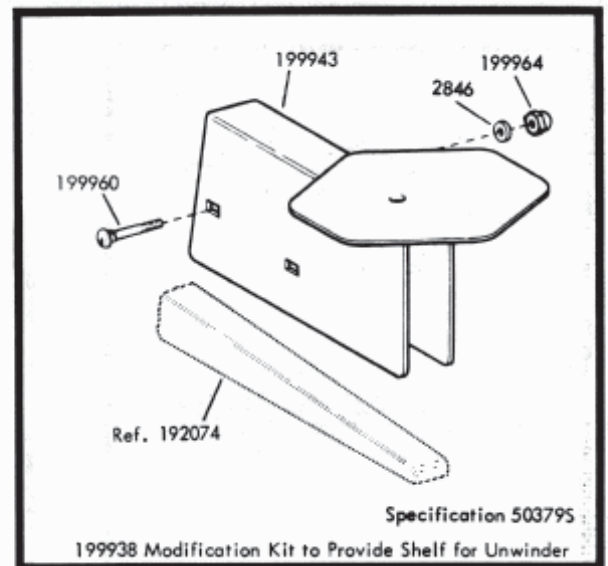
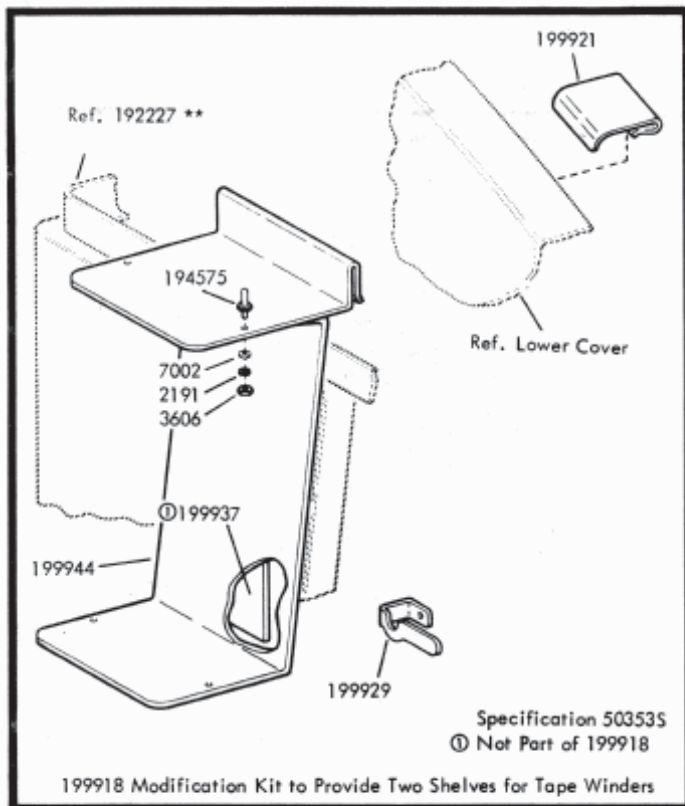
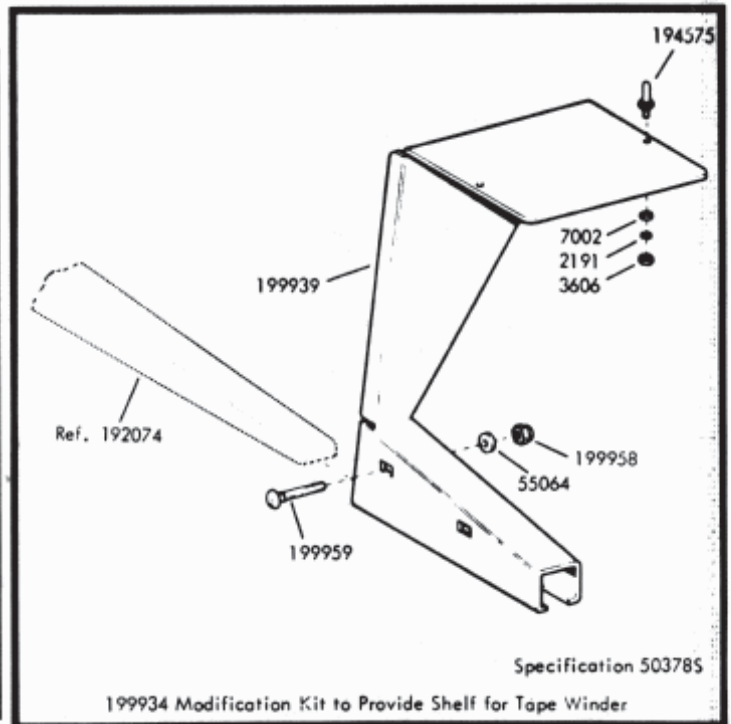
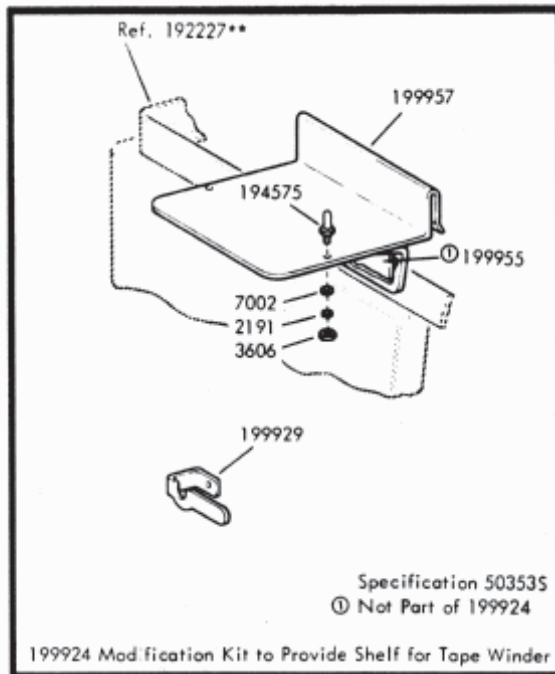


FIGURE 13. PAPER HANDLING AND DIRECTORY HOLDER MODIFICATION KITS



**Refer to page 1 for finish suffix

FIGURE 14. MODIFICATION KITS TO PROVIDE SHELVES FOR TAPE WINDERS AND UNWINDERS

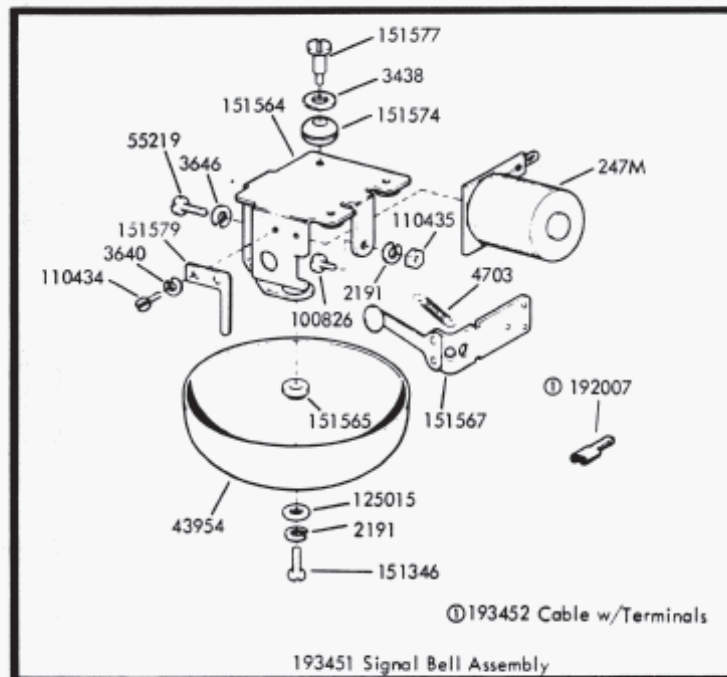
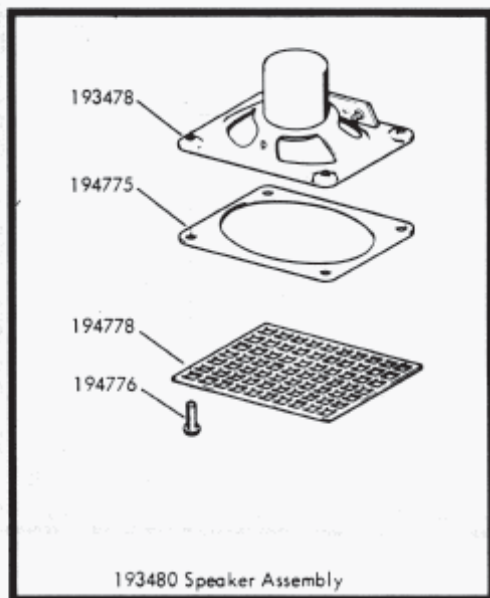
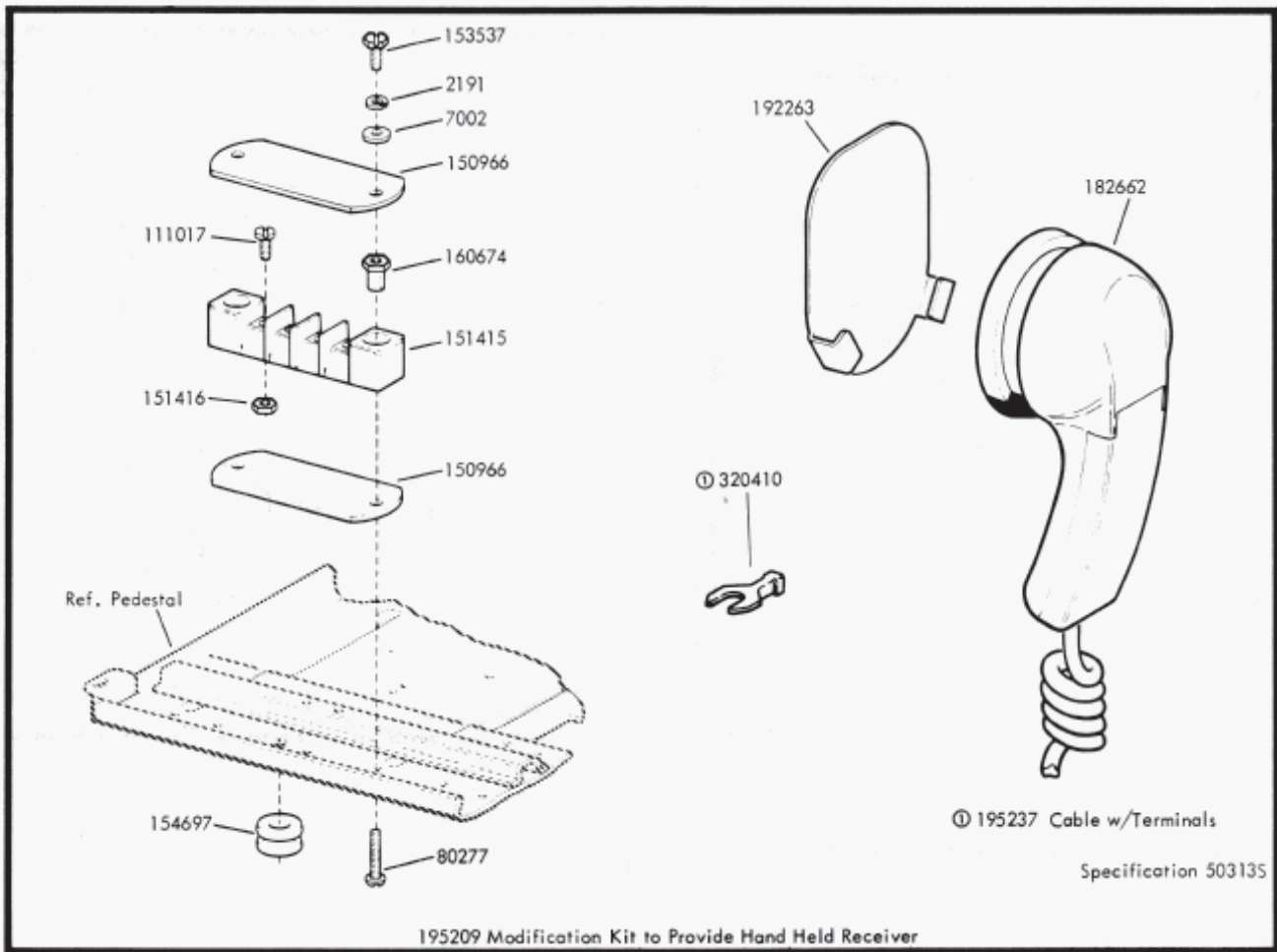
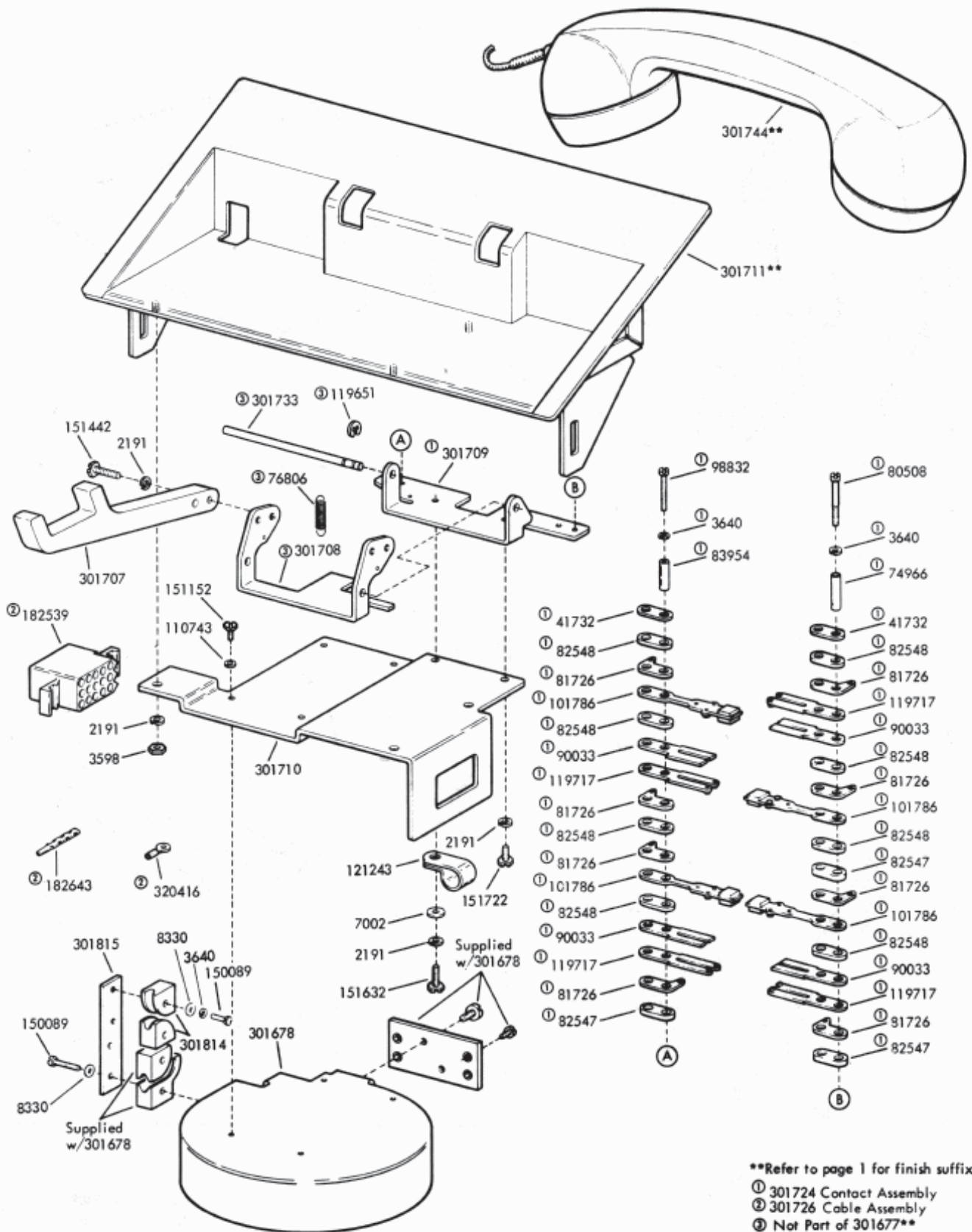
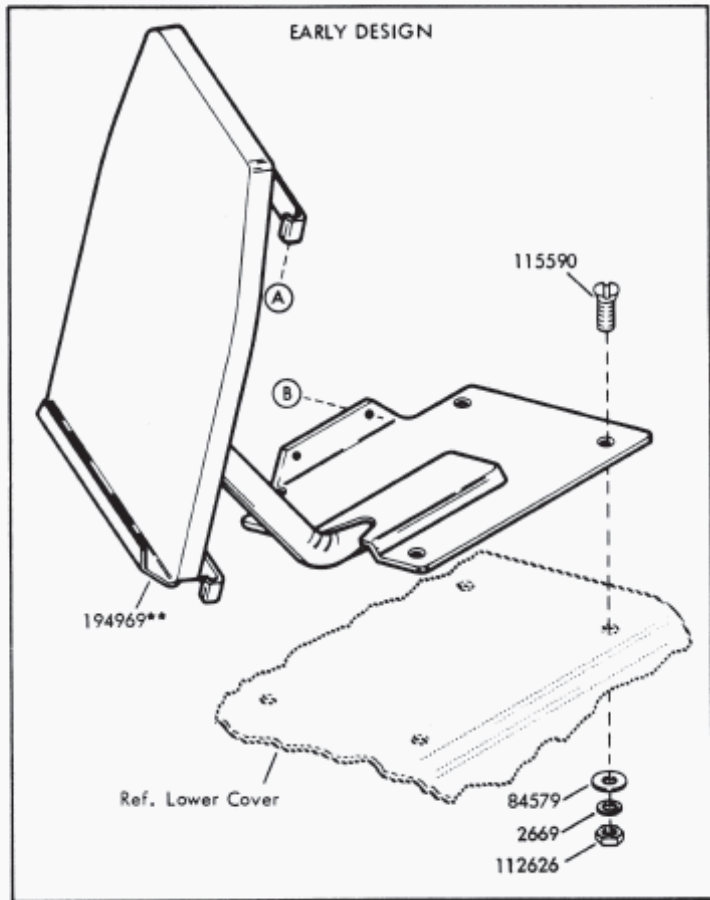
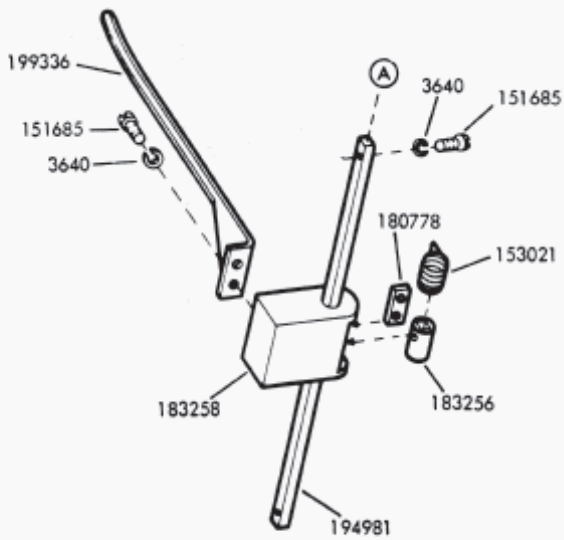
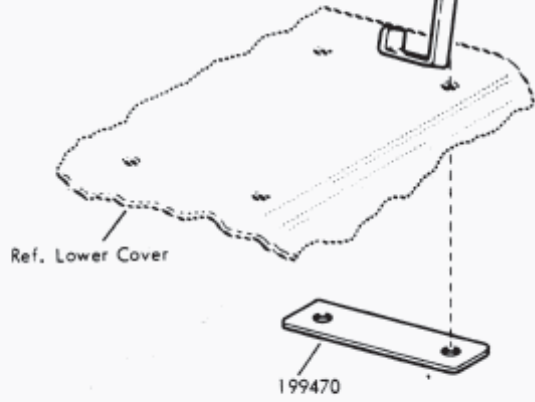
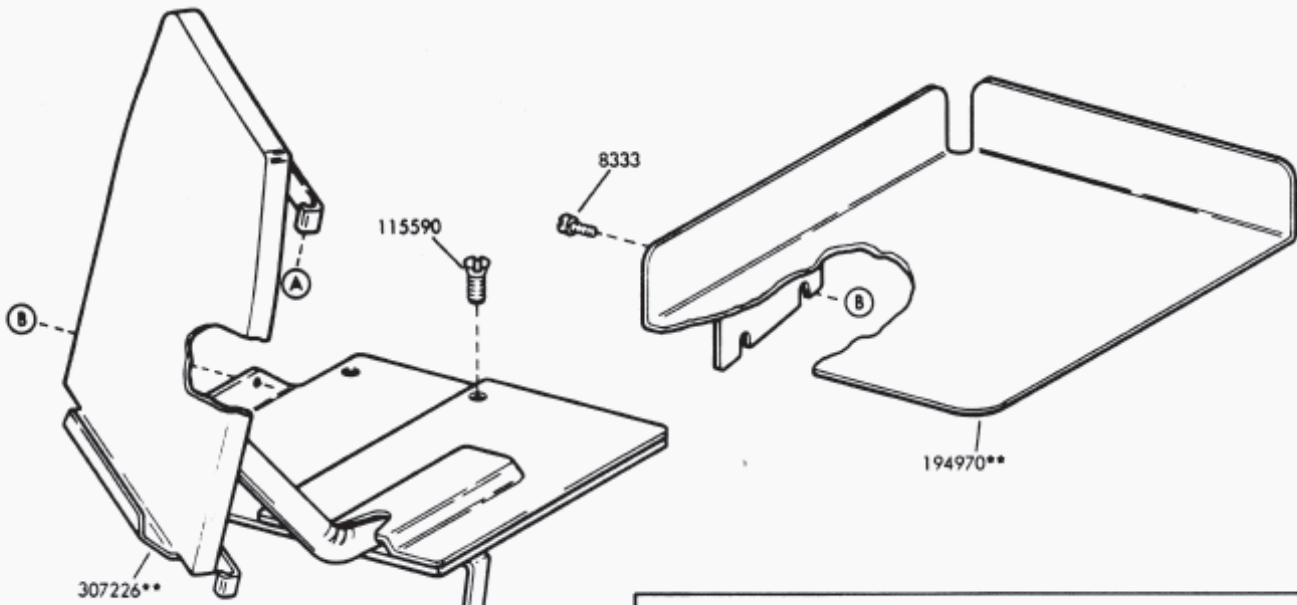


FIGURE 15. SPEAKER, SIGNAL BELL AND HAND HELD RECEIVER



**Refer to page 1 for finish suffix
 ① 301724 Contact Assembly
 ② 301726 Cable Assembly
 ③ Not Part of 301677**

FIGURE 16. 301677** TELEPHONE ASSEMBLY



Specification 503895
 **Refer to page 1 for finish suffix.

FIGURE 17. 307228** MODIFICATION KIT TO ADD OFFSET COPYHOLDER

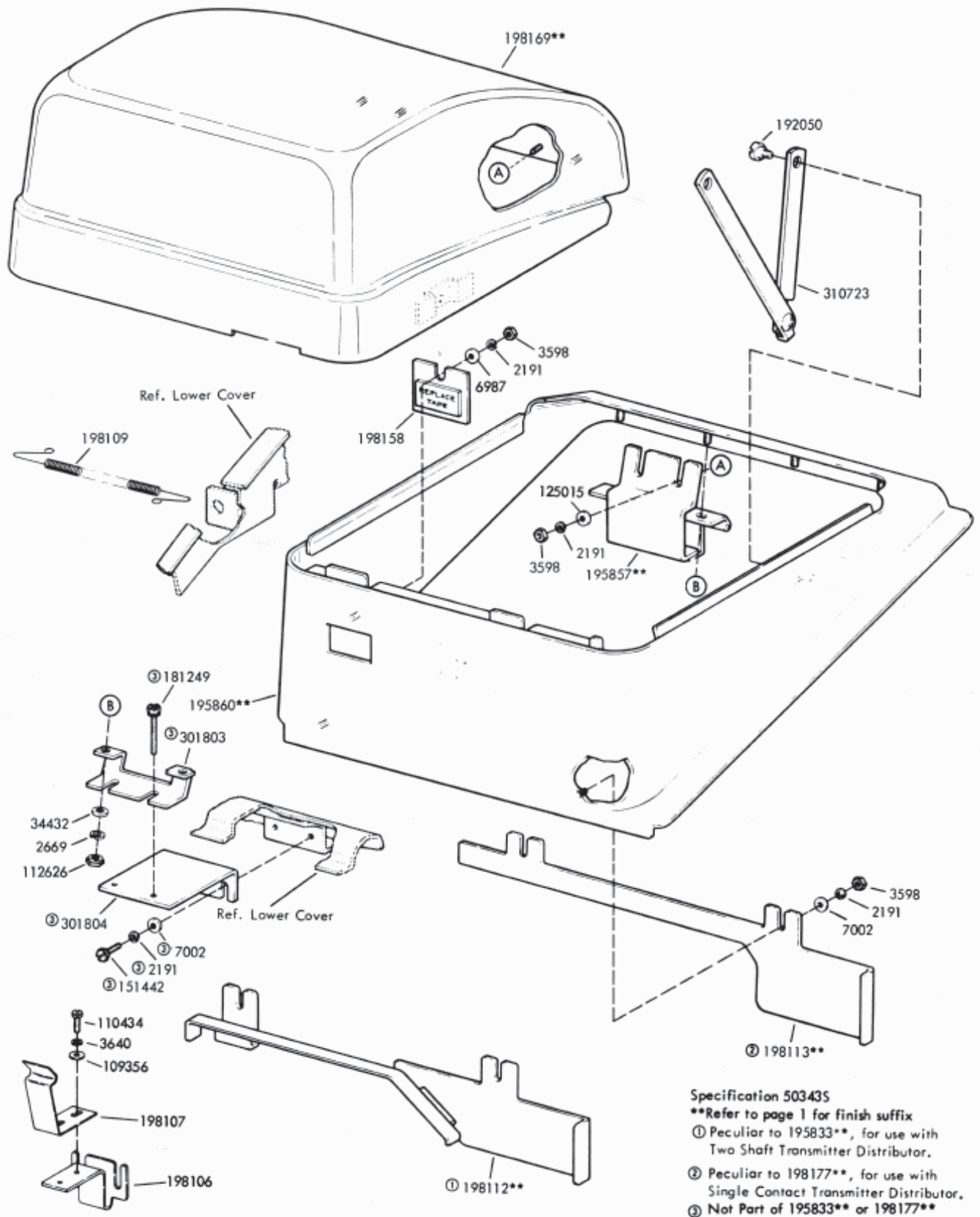
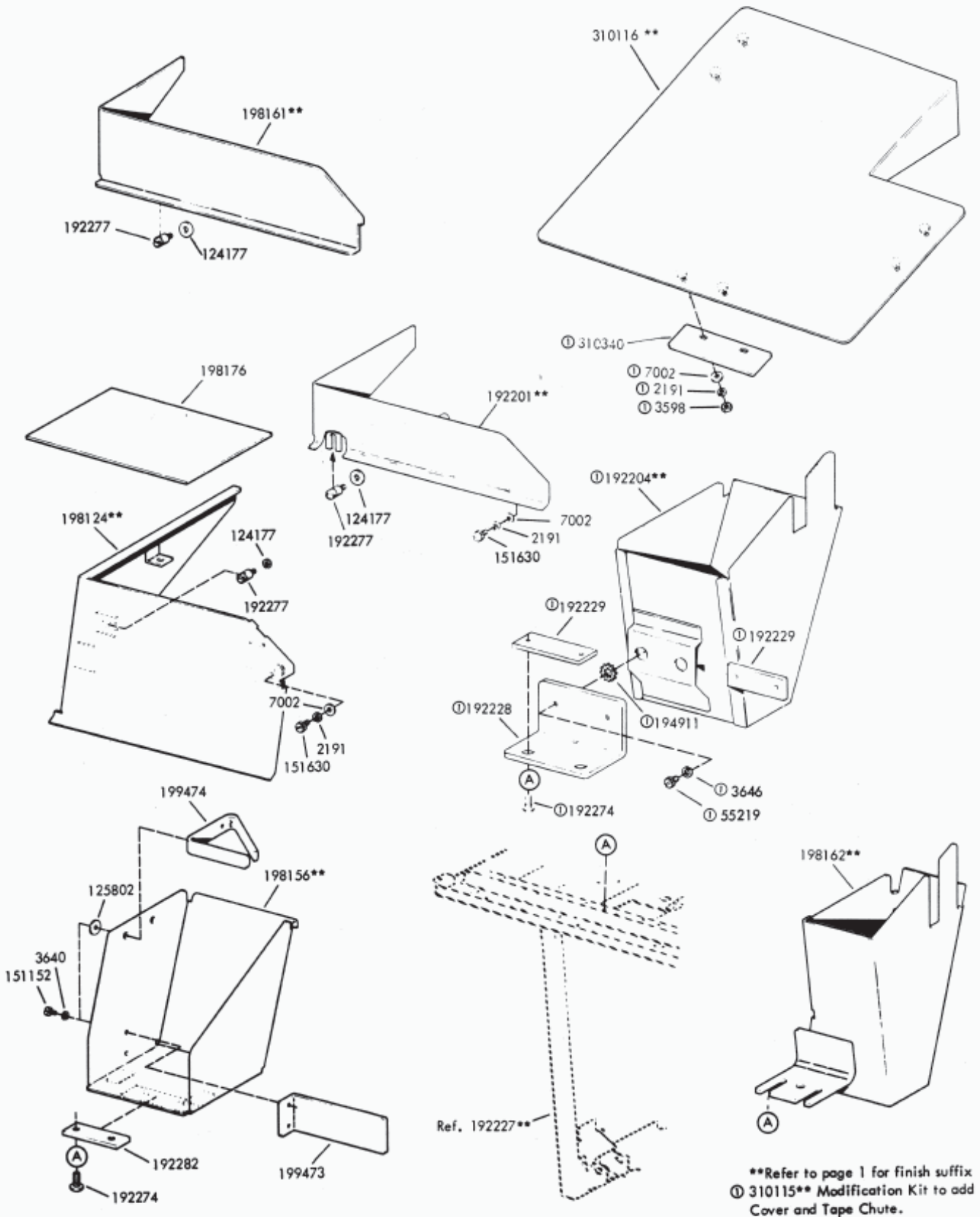


FIGURE 18. 195833** AND 198177** MODIFICATION KITS TO PROVIDE HOUSING FOR THE AUXILIARY REPERFORATOR



**Refer to page 1 for finish suffix
 Ⓛ 310115** Modification Kit to add
 Cover and Tape Chute.

FIGURE 19. COVER PLATES AND TAPE CHUTES

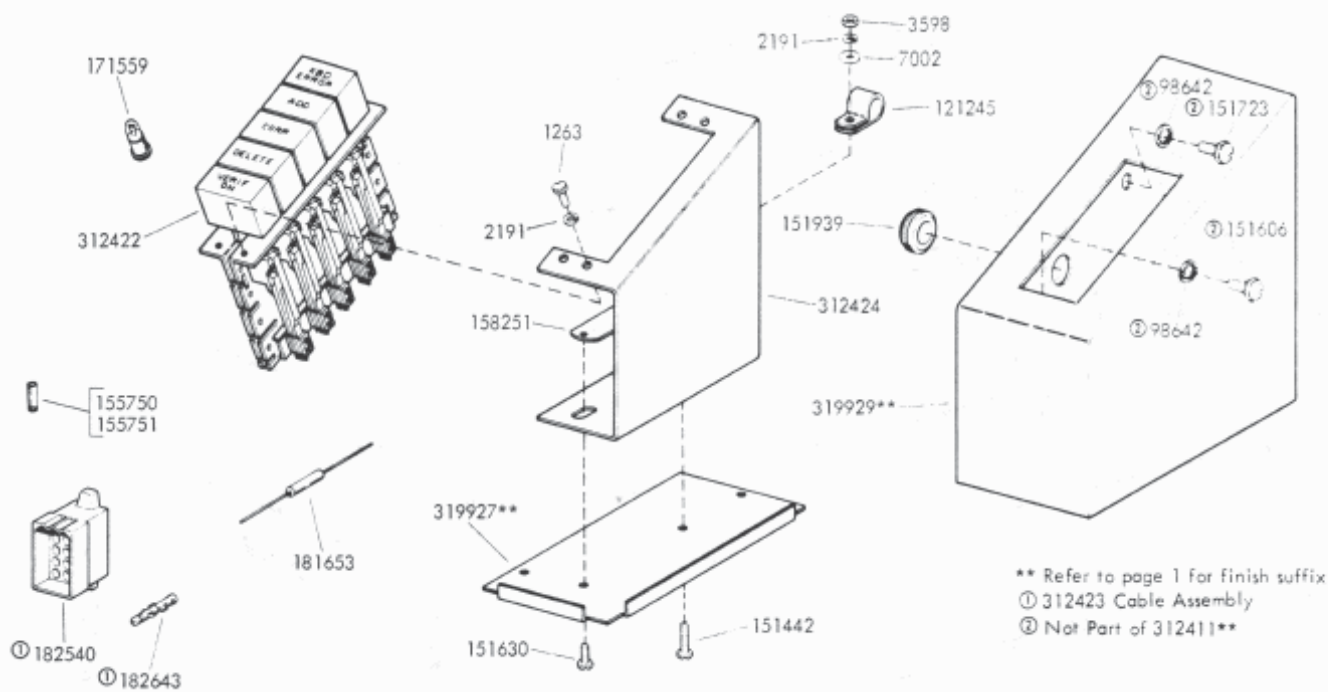


FIGURE 20. 312411** KEYSET SWITCH ASSEMBLY

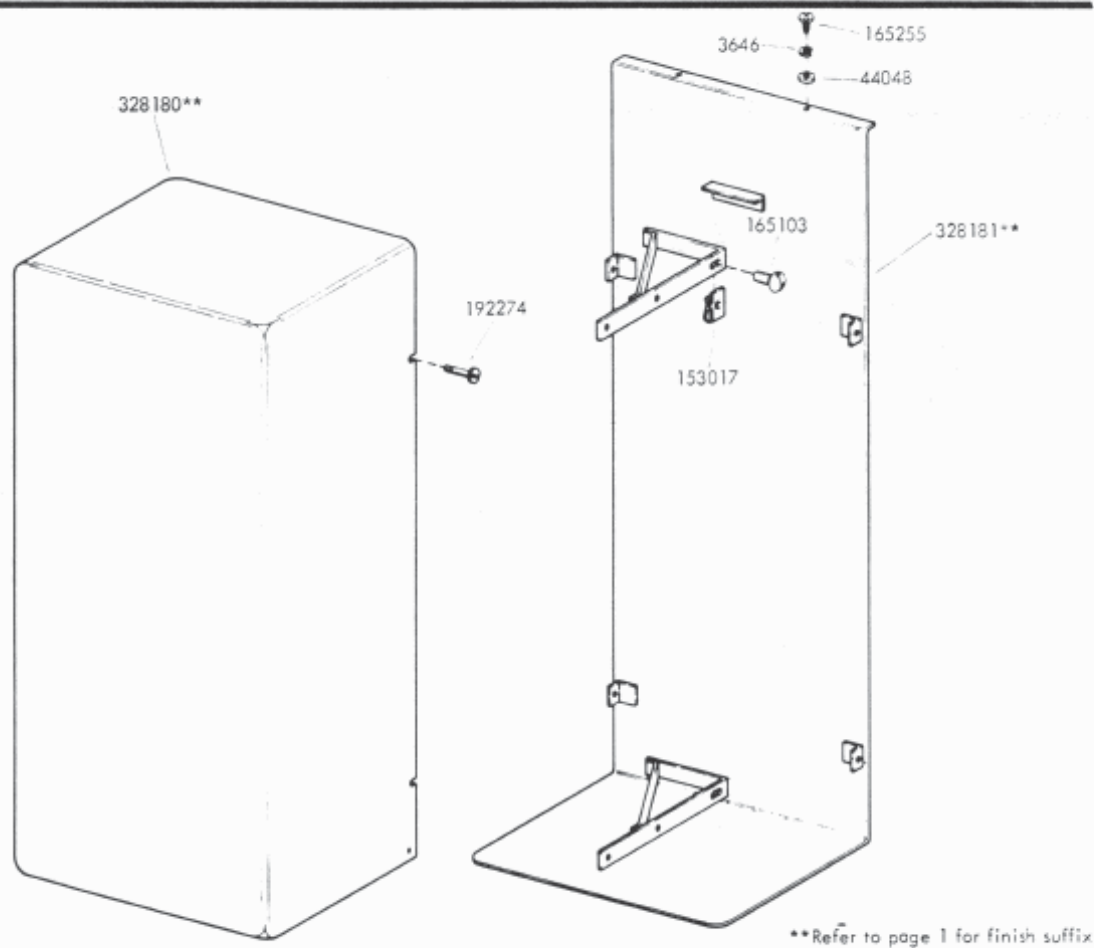


FIGURE 21. MODULE MOUNTING FACILITIES

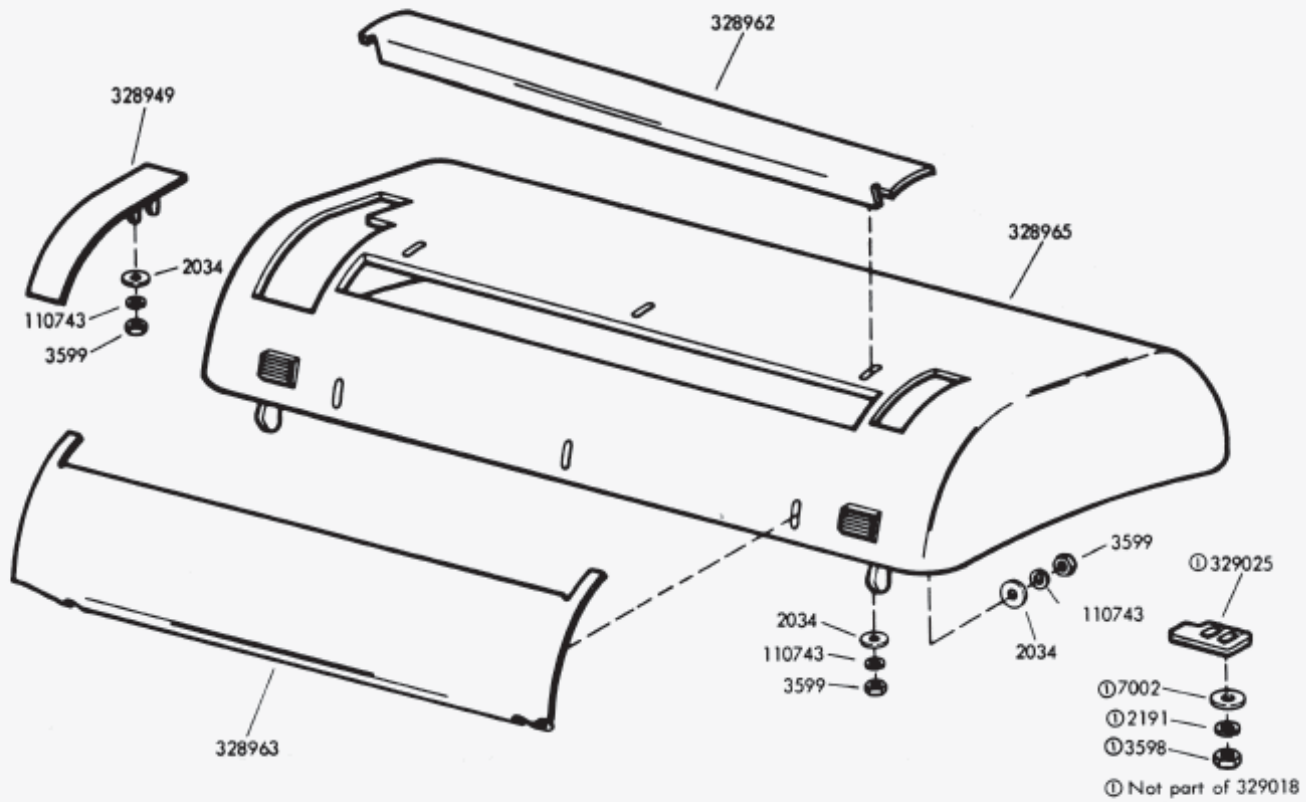


FIGURE 22. 329018 BUBBLE ASSEMBLY (SINGLE SHEET INSERTION)

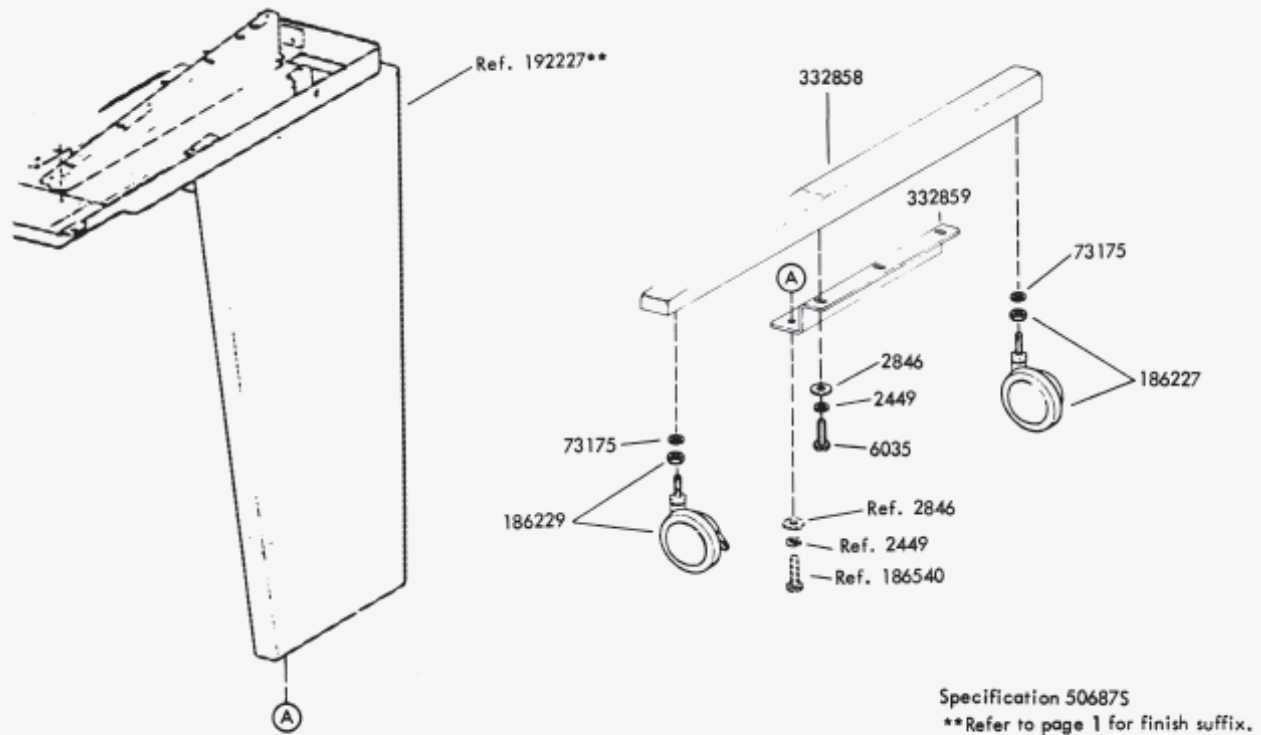
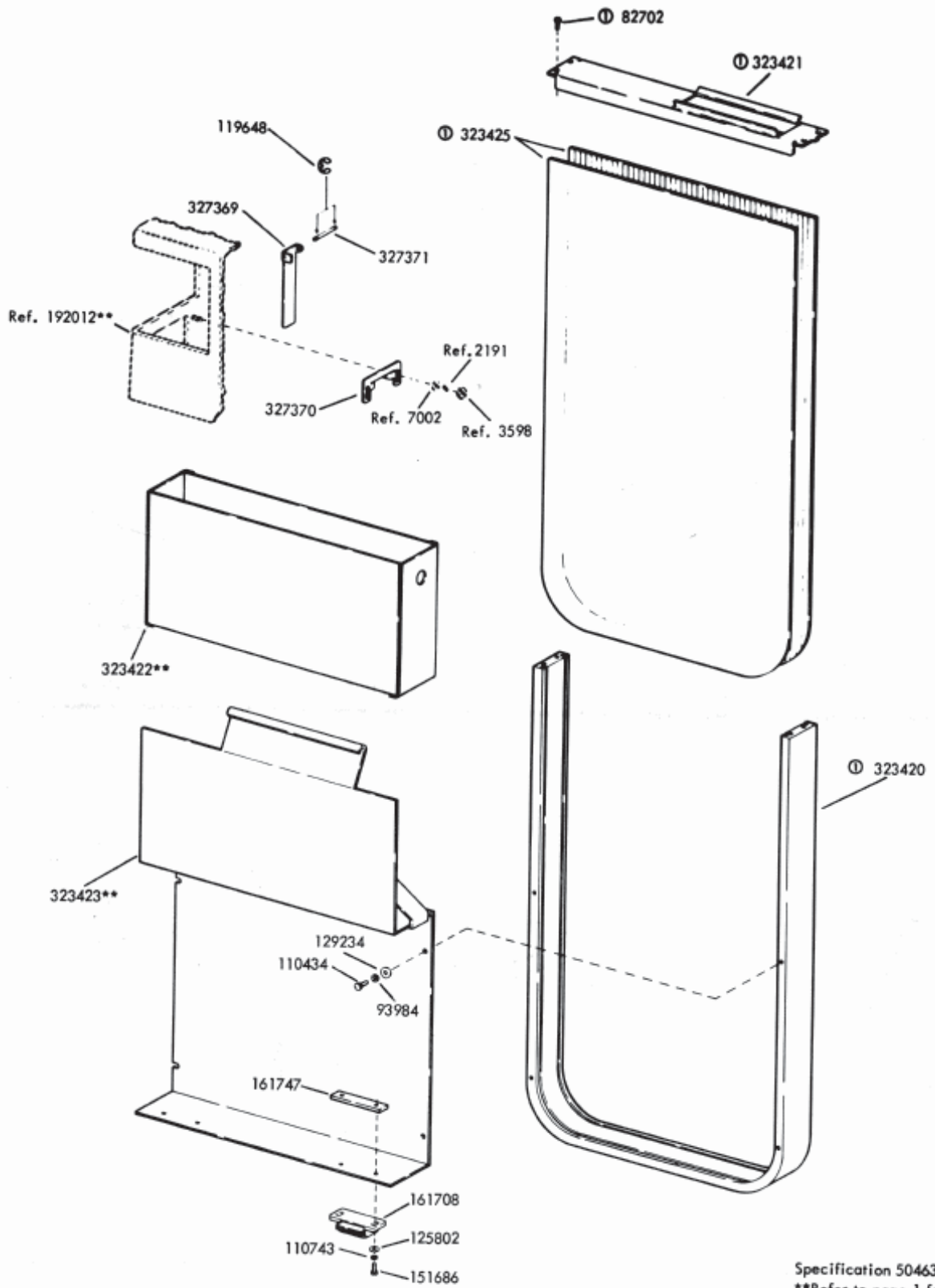


FIGURE 23. 333456 MODIFICATION KIT TO PROVIDE MOBILITY FOR CABINET



Specification 50463S
 **Refer to page 1 for finish suffix
 Ⓞ 323419 Tape Bin Assembly

FIGURE 24. 323424** INTERMEDIATE TAPE STORAGE BIN ASSEMBLY

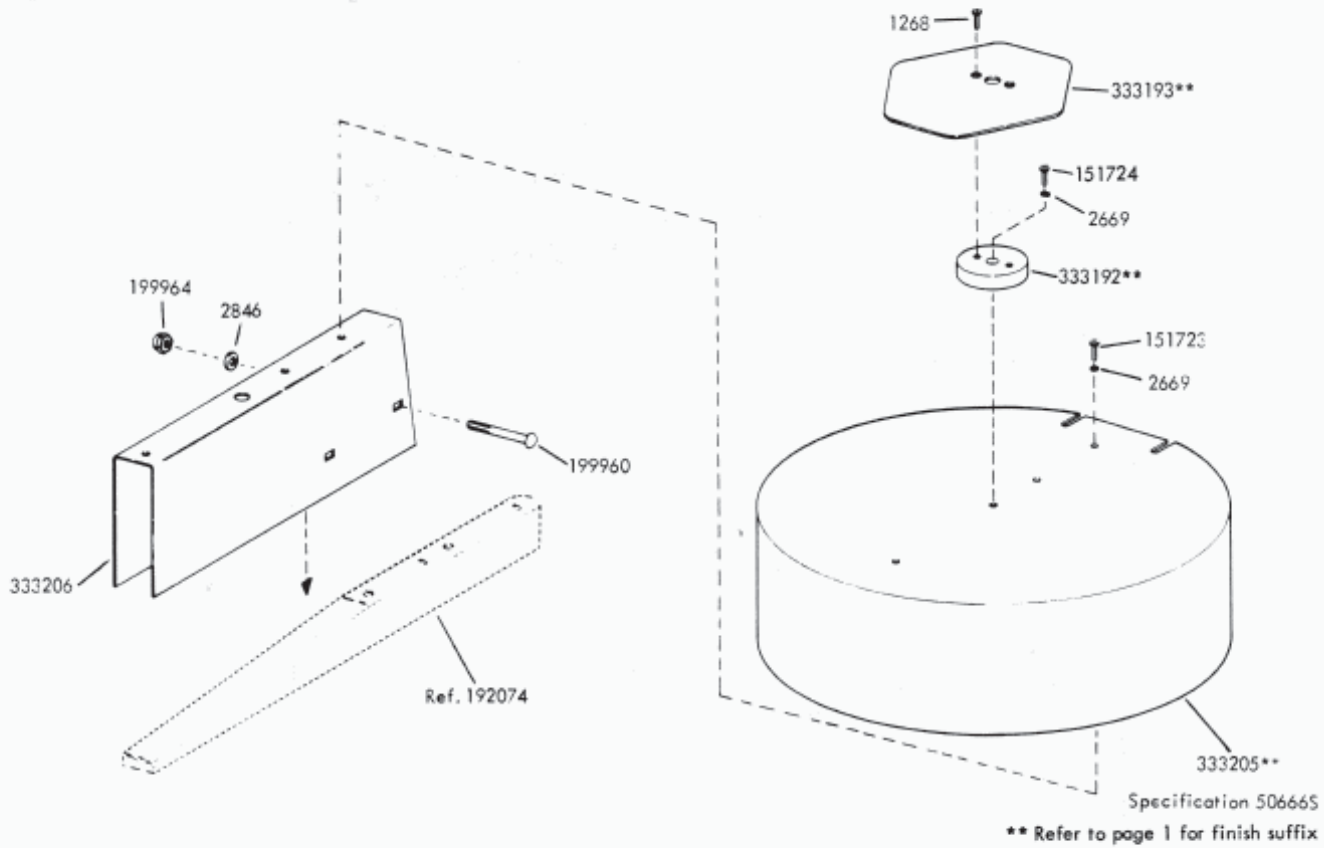


FIGURE 25. 321584** MODIFICATION KIT TO PROVIDE SHELF FOR CENTER UNWINDER

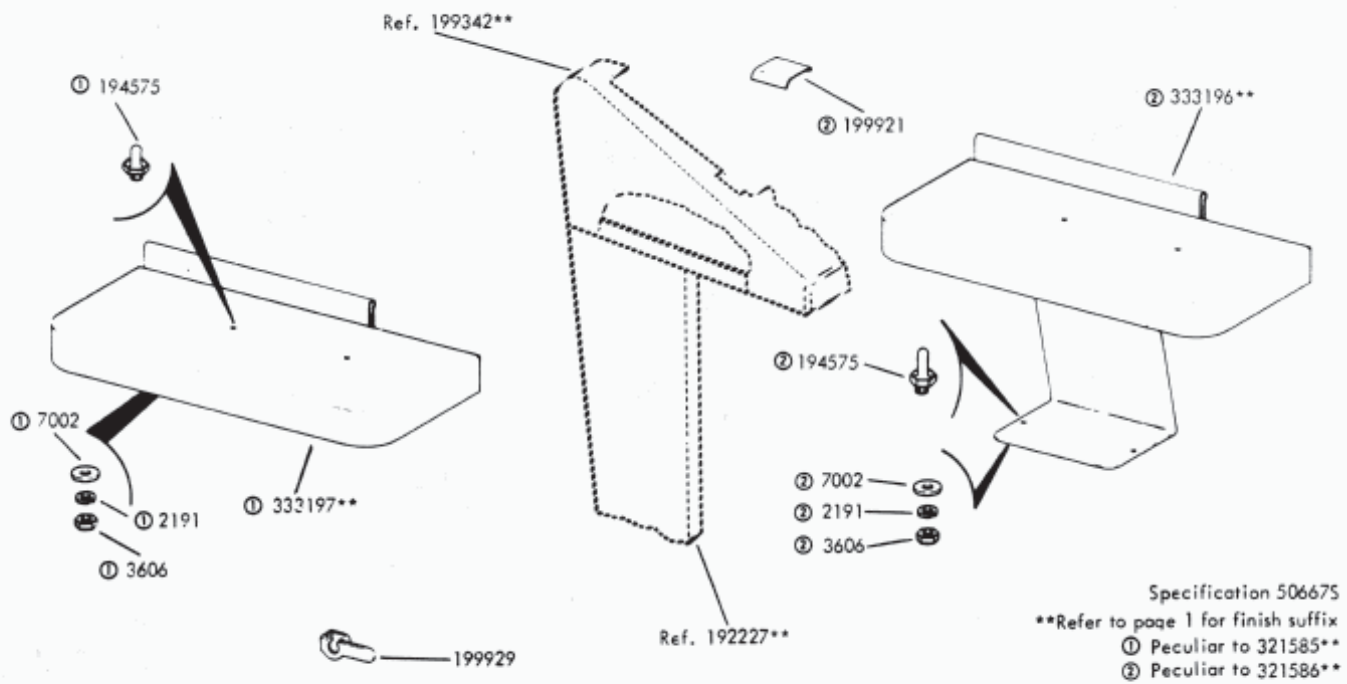
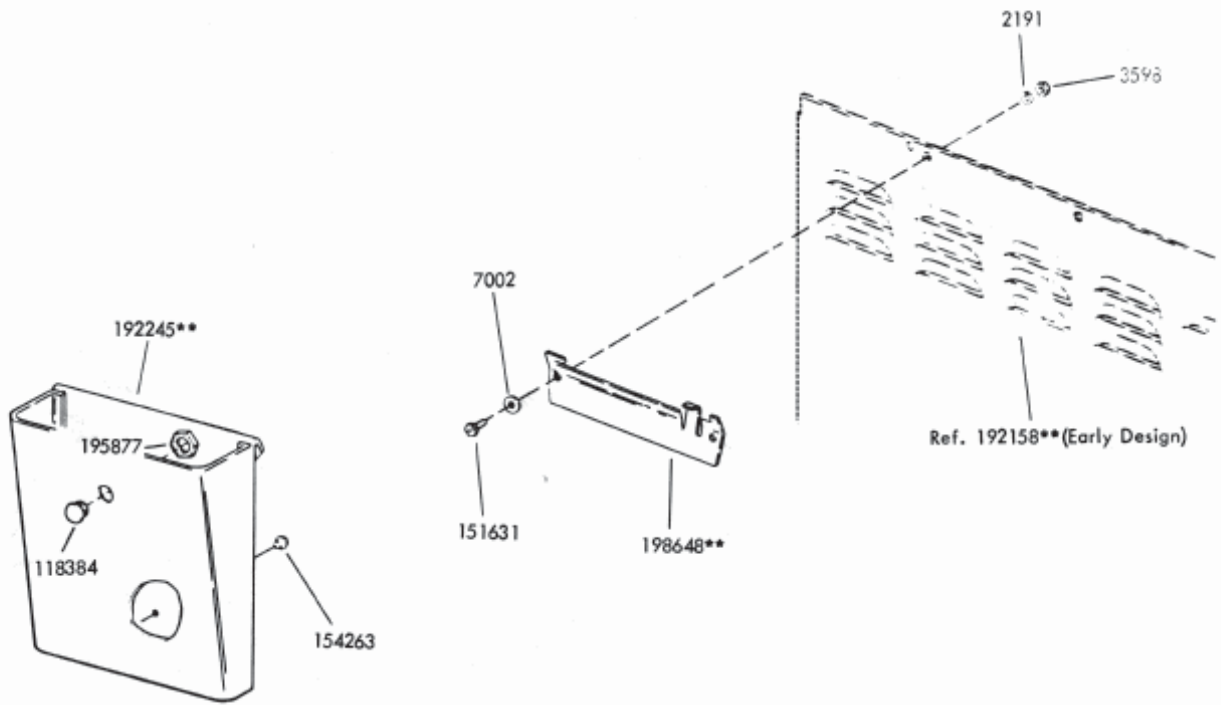
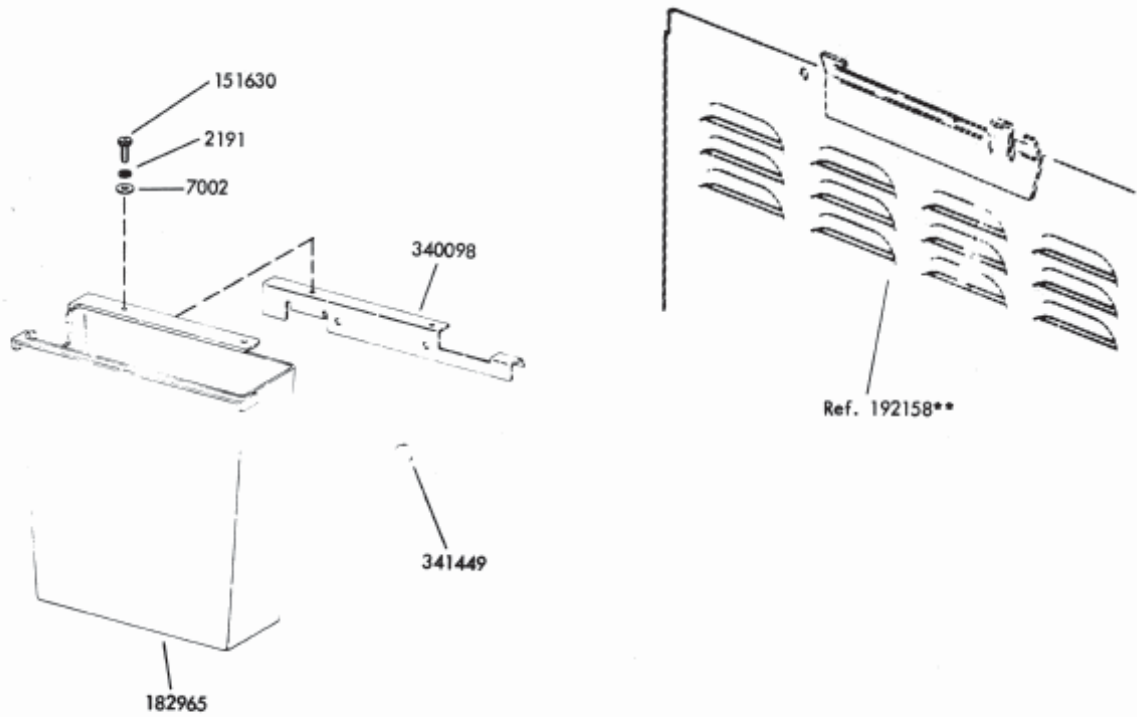


FIGURE 26. 321585** (SINGLE) AND 321586** (DOUBLE) MODIFICATION KITS TO PROVIDE MOUNTING SHELF FOR TAPE WINDERS

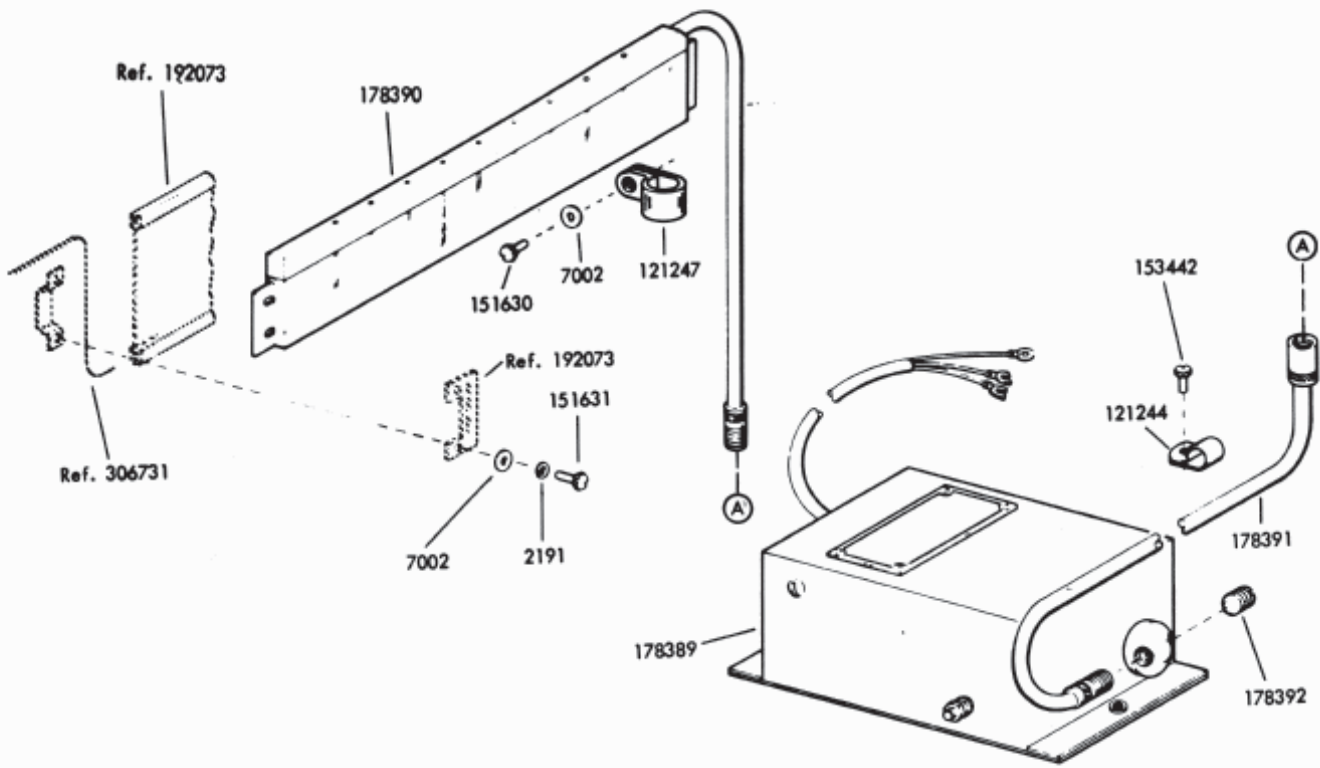


EARLY DESIGN CHAD BOX



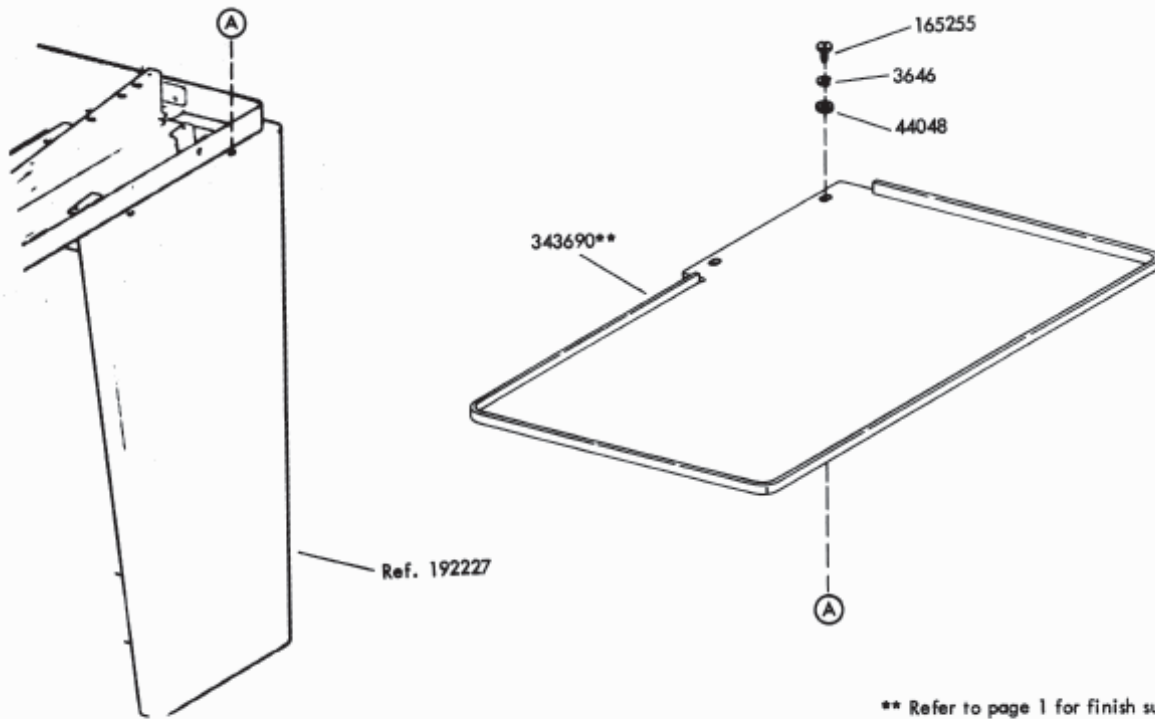
**Refer to page 1 for finish suffix

FIGURE 27. 340097 CHAD BOX ASSEMBLY



**Refer to page 1 for finish suffix
Specification 500515

FIGURE 28. 178387 MODIFICATION KIT TO PROVIDE HIGH VOLTAGE STATIC ELIMINATOR TO NEUTRALIZE ELECTROSTATIC CHARGE ON PAGE COPY



** Refer to page 1 for finish suffix

FIGURE 29. 343691** MODIFICATION KIT TO PROVIDE A SHELF ASSEMBLY FOR ATTENDANT SET MOUNTING

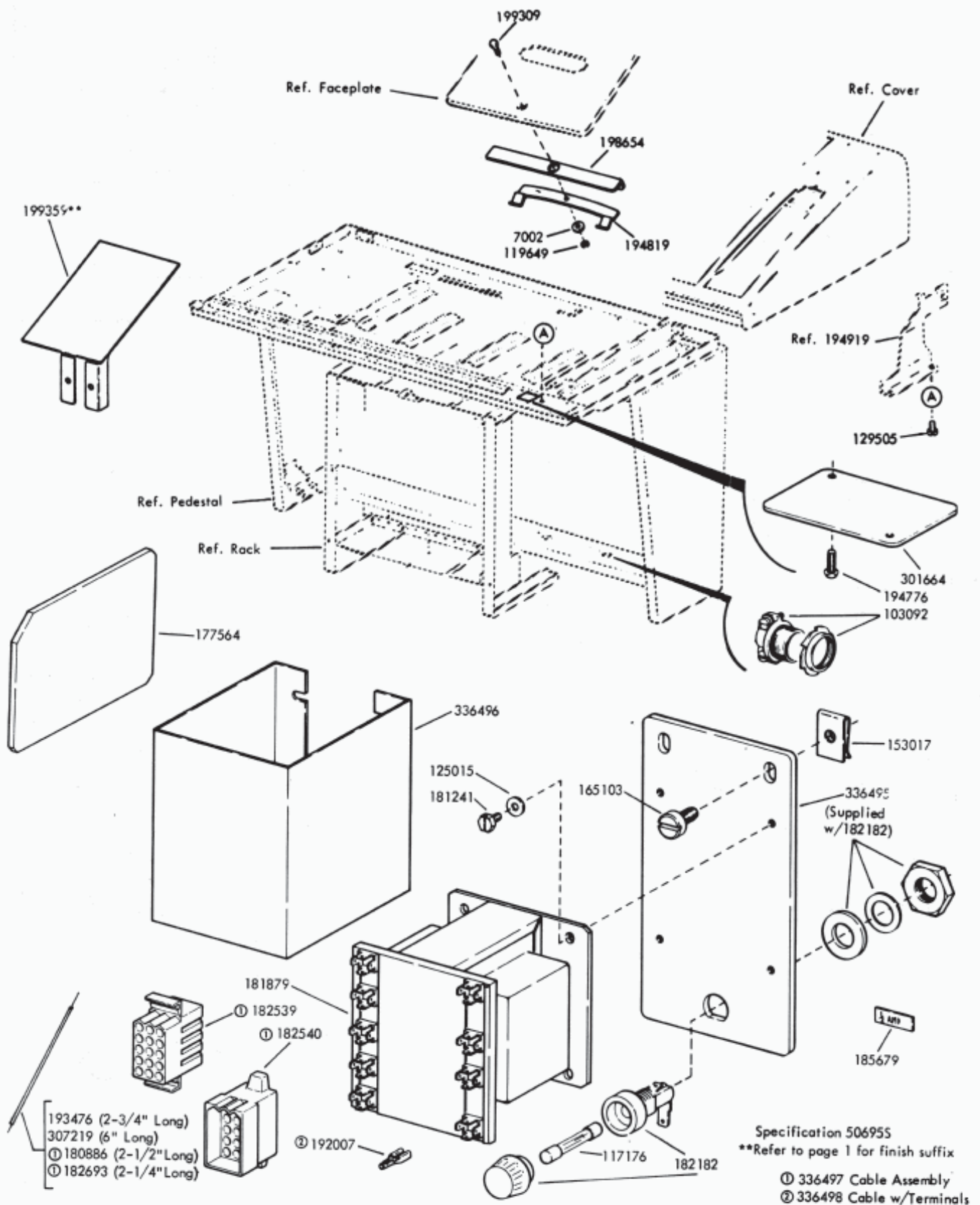


FIGURE 30. 336474** MODIFICATION KIT TO ADAPT (UCC29) CALL CONTROL FOR USE IN MODEL 35 SETS (DATREX)

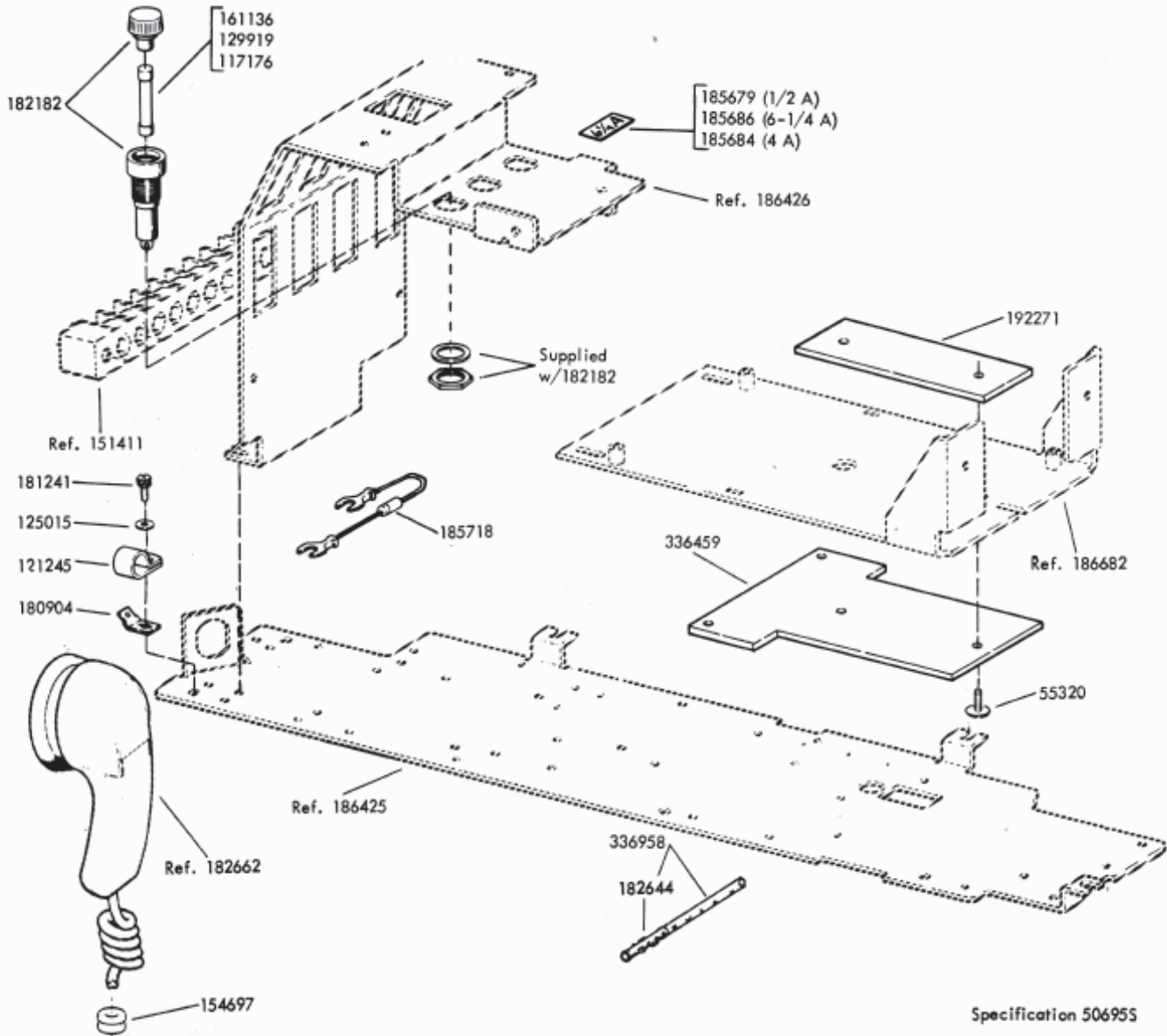
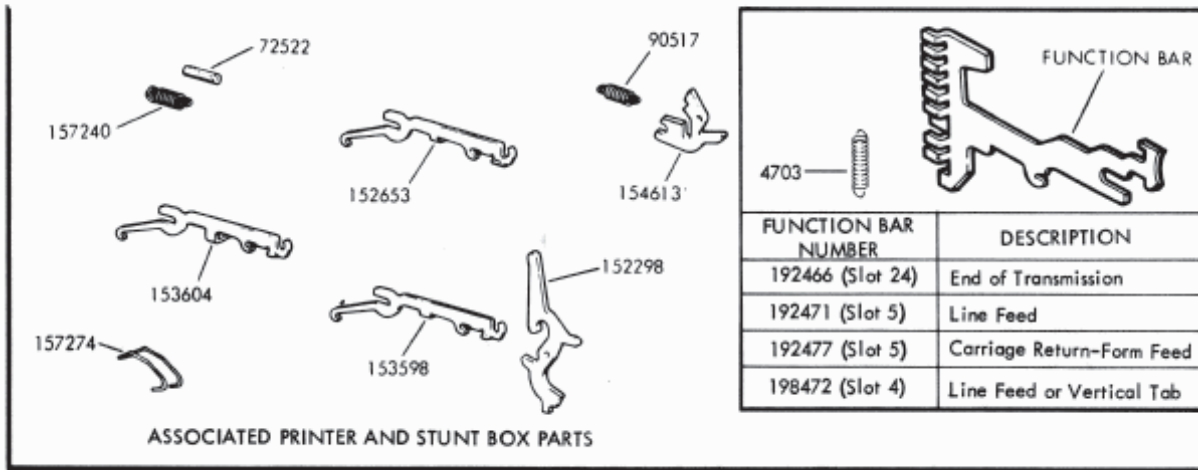


FIGURE 31. 336474** MODIFICATION KIT TO ADAPT (UCC29) CALL CONTROL FOR USE IN MODEL 35 SETS (DATREX) (Continued)

NUMERICAL INDEX

Part Number	Description and Page Number	Part Number	Description and Page Number	Part Number	Description and Page Number
247M	Coil, Magnet 16	76474	Nut, 10-32 Hex 4	116793	Lockwasher 4
1122	Screw, 8-32 x 9/32 Flat 4	76806	Spring 17	117176	Fuse, SL-BL 0.5 Amp 27,28
1263	Screw, 6-32 x 1/4 Fil 21	80277	Screw, 6-40 x 9/16 Rd 16	117535	Washer, Flat 4
1268	Screw, 6-40 x 5/16 Flat 24	80481	Screw, 6-40 Spl 14	117608	Nut, Speed 9
2034	Washer, Flat 2,22	80508	Screw, 4-40 x 25/32 Fil 17	118384	Lens, Clear Indicator Light 25
2191	Lockwasher 2,3,9,10,13 to 17, 19 to 26	81726	Terminal 17	119421	Washer, Flat 5
2449	Lockwasher 4,22	82267	Washer, Insulating 4	119641**	Button, Plug 3
2669	Lockwasher 2,3,4,5,18,19, 24	82547	Insulator, .094" Thk 17	119648	Ring, Retaining 23
2846	Washer, Flat 4,15,22,24	82548	Insulator, .062" Thk 17	119649	Ring, Retaining 11,27
3438	Washer, Flat 4,16	82702	Screw, 6-40 x 9/32 Flat 23	119651	Ring, Retaining 17
3598	Nut, 6-40 Hex 2,9,10,13, 14,17,19 to 23,25	82730	Screw, 10-32 Shoulder 7,8	119717	Spring, Contact 17
3599	Nut, 4-40 Hex 2,22	83954	Bushing, Insulating 17	119904	Spring 4
3606	Nut, 6-40 Hex 15,24	84579	Washer, Flat 18	121243	Clamp, 3/16 ID Cable 3,10, 17
3640	Lockwasher 10,13,16 to 20	85976	Washer, Flat 14	121244	Clamp, 1/4 ID Cable 26
3646	Lockwasher 3,4,5,14,16,20, 21,26	87636	Screw, 2-56 x 3/16 Rd 10	121245	Clamp, 5/16 ID Cable 10, 21,28
4703	Spring 16,28	88891	Spring 2	121246	Clamp, 3/8 ID Cable 10
6035	Screw, 1/4-20 x 5/8 Hex 22	90033	Stiffener 17	121247	Clamp, 7/16 ID Cable 26
6344	Screw, 6-32 x 11/32 Hex 13	90517	Spring 28	122476	Screw, No.6 Self-Tapping 4
6345	Nut, 6-32 Hex 3	90791	Lockwasher 10	124177	Lockwasher 20
6970	Nut, 3/8-32 Hex 5	93117	Lockwasher 9	124611	Screw, 8-32 x 3/8 Hex 4
6987	Washer, Flat 19	93984	Lockwasher 23	124612	Screw, 8-32 x 1/2 Hex 3
7002	Washer, Flat 2,3,9 to 11, 13 to 17, 19 to 27	94712	Washer, Flat 13	125005	Screw, 2-56 x 3/16 Rd 10
7015	Plate, Nut 14	96717	Screw, 4-40 Shoulder 10	125015	Washer, Flat 16,19,27,28
8330	Washer, Flat 17	98642	Lockwasher 4,21	125126	Screw, 2-56 x 9/32 Fil 9
8333	Screw, 10-32 x 3/8 Rd 18	98718	Washer, Flat 4	125802	Washer, Flat 20,23
34432	Washer, Flat 19	98832	Screw, 4-40 x 11/16 Fil 17	128913	Screw, 8-32 Self-Tapping 4
35826	Washer, Flat 5	100658	Connector, 2 Pt Plug 13	129098	Screw, 6-40 x 11/32 Flat 9
36273	Washer, Flat 9	100826	Screw, 4-40 x 3/16 Rd 16	129234	Shim, .035" Thk 23
41732	Plate, Clamp 17	101633	Washer, Flat 2,4	129505	Screw, 8-32 x 3/16 Rd 27
43954	Bell 16	101786	Spring, Contact 17	129919	Fuse, SL-BL 4 Amp 28
44048	Washer, Flat 14,21,26	102755	Screw, 6-40 x 7/16 Flat 14	139697	Screw, 4-40 x 9/32 Fil 13
49054	Screw, 2-56 x 3/16 Flat 9	102994	Washer, Flat 7,8	142159	Bulb, 6V Lamp 9
55064	Washer, Flat 15	103092	Connector, Cord 4,27	142292	Jumper, 1-1/2" Yellow 10
55219	Screw, 8-32 x 3/8 Fil 16, 20	103160	Jumper, 2-5/8" Black 10	142352	Foot, Mounting 14
55320	Screw, 8-32 x 7/16 Rd 28	105029	Washer, Flat 4	143613	Lamp, 14V Incandescent 10
70720	Screw, 10-32 Shoulder 2,4	107084	Lockwasher 9	144778	Screw, No. 6 Self-Tapping 4
72522	Wick, Felt 28	107116	Lockwasher 9,10,13	147209	Switch, SP-ST Pushbutton 9
73175	Lockwasher 22	107116	Lockwasher 9,10,13	148157	Knob, Gray 9,10
74567	Screw, 1/4-20 x 33/64 Hex 4	109356	Washer, Flat 19	150040	Screw, 6-40 x 5/8 Fil 14
74807	Nut, 10-32 Shoulder Hex 2, 4,5	110434	Screw, 4-40 x 3/16 Fil 16, 19,23	150089	Screw, 4-40 x 1/2 Fil 17
74966	Bushing, Insulating 17	110435	Nut, 4-40 Hex 16	150432	Washer, Flat 14
		110743	Lockwasher 2,17,22,23	150966	Insulator, Terminal Block 16
		111017	Screw, 6-40 x 5/16 Fil 16	151152	Screw, 4-40 x 3/16 Hex 17, 20
		111713	Screw, 2-56 x 5/32 Flat 9,10		
		112626	Nut, 10-32 Hex 3,18,19		
		113444R	Jumper, 5-1/2" Red 10		
		113445BK	Jumper, 6-1/2" Black 10		
		115590	Screw, 10-32 x 1/2 Oval 18		
		115594	Nut, Speed 3		

**Refer to page 1 for finish suffix

NUMERICAL INDEX (Continued)

Part Number	Description and Page Number	Part Number	Description and Page Number	Part Number	Description and Page Number
151346	Screw, 6-40 x 3/8 Fil 14, 16	153604	Pawl, Function 28	180778	Plate 18
151411	Block, Terminal 28	153830	Guide, Rear 14	180798	Screw, 8-32 Self-Tapping 4
151415	Block, Terminal 16	153833	Bracket, Guide 14	180886	Jumper, 2-1/2" Green 27
151416	Nut, 6-40 Hex 16	153839	Screw, 6-40 x 5/8 Hex 13	180904	Tab, Terminal 28
151442	Screw, 6-40 x 1/2 Hex 13,17,19,21	153842	Clip, Paper Holder 14	181241	Screw w/Lockwasher 6-40 x 1/4 Hex 10,27,28
151534	Screw, 10-32 Shoulder 3,4	153926	Modification Kit 14	181242	Screw, w/Lockwasher, 6-40 x 5/16 Hex 10
151540	Lamp Holder 13	154263	Bumper, Rubber 25	181249	Screw w/Lockwasher, 6-40 x 1 Hex 19
151549	Post 5	154409	Plate 4	181287	Holder, Card 11
151564	Bracket 16	154613	Latch 28	181288	Label, White 11
151565	Bushing, Shoulder 16	154697	Grommet, Rubber 16,28	181289	Window, Plastic 11
151567	Armature w/Claper 16	155750	Sleeve, 3/32 ID x 1/2" Lg Insulating 21	181292	Window, Plastic 11
151574	Grommet, Rubber 16	155751	Sleeve, 1/8 ID x 1" Lg Insulating 21	181638	Contact Assembly 10
151575	Arm, Stop 4	155753	Sleeve, 1/8 ID x 1/2" Lg Insulating 10	181653	Diode 21
151577	Screw, 6-40 Shoulder 16	155754	Sleeve, 1/16 ID x 1/2" Lg Insulating 10	181879	Transformer, Power 27
151579	Plate, Retaining 16	155755	Sleeve, 11/64 ID x 5/8" Lg Insulating 10	181894	Sleeve, 3/64 ID x 2" Lg Insulating 10
151606	Screw, 10-32 x 1/4 Hex 21	157240	Spring 28	181901**	thru
151618	Screw, 6-40 x 7/16 Fil 14	157274	Clip 28	181904**	Faceplate 11
151630	Screw, 6-40 x 1/4 Hex 13, 20,21,25,26	158251	Plate, Mounting 21	181909**	thru
151631	Screw, 6-40 x 5/16 Hex 3, 25,26	160664	Pin, Roll 2	181915**	Faceplate 11
151632	Screw, 6-40 x 3/8 Hex 3,17	160674	Nut, 6-40 Shoulder 16	181921**	Faceplate 11
151657	Screw, 6-40 x 1/4 Fil 2,14	161136	Fuse, SL-BL 6-1/4 Amp 28	181922**	Faceplate 11
151658	Screw, 6-40 x 5/16 Fil 14	161708	Latch, Magnetic 23	182182	Holder, Fuse 27,28
151685	Screw, 4-40 x 5/16 Fil 18	161747	Plate, Nut 23	182520	Rectifier 10
151686	Screw, 4-40 x 3/8 Fil 23	161912	Switch, SP-ST 10	182524	Button Assembly 10
151722	Screw, 6-40 x 3/16 Hex 2, 13,17	165102	Screw, 12-24 x 3/8 Rd 4	182526	Screw, 4-40 Spl 10
151723	Screw, 10-32 x 3/8 Hex 21,24	165103	Screw, 12-24 x 5/8 Rd 21,27	182529	Lamp, 10V 10
151724	Screw, 10-32 x 5/8 Hex 24	165168	Key 10	182533	Screw, 6-32 x 5/16 Rd 10
151725	Screw, 10-32 x 3/4 Fil 3	165255	Screw, No. 8 Spl 14,21,26	182534	Screw, 4-40 Spl 10
151734	Screw, 4-40 x 3/8 Hex 10	170282	Nut, 6-40 Hex 9	182535	Spring 10
151939	Grommet, Rubber 21	171441	Resistor, 560 Ohm 10	182539	Connector, 15 Pt Receptacle Type 10,17,27
151982	Lamp, 6V Incandescent 13	171559	Lamp, 28V Incandescent 9, 21	182540	Connector, 15 Pt Plug Type 10,21,27
152298	Lever, Function 28	172745	Bushing, .406 Lg 14	182553	Baseplate 10
152441	Washer, Flat 4	173716	Terminal, Receptacle Type 10	182554	Spring, Compression 10
152653	Pawl, Function 28	177564	Card, EC564 Circuit 27	182556	Lockout 10
152797**	Plate, Retaining 3	178387	Modification Kit 1,26	182558	Frame 10
152893	Screw, 4-40 x 1/4 Hex 10	178389	Power Unit 26	182559	Plunger 10
153017	Nut, Speed 4, 21,27	178390	Bar, Static Eliminator 26	182561	Contact Assembly 10
153020	Guide, Line 13	178391	Cable, Inductor 26	182562	Contact Assembly 10
153021	Spring, Torsion 13,18	178392	Plug, Outlet 26	182643	Terminal, Plug Type 10, 13,17,21
153022	Bushing 13	178707	Bumper, Rubber 2	182644	Terminal, Receptacle Type 10,28
153442	Screw, 10-32 x 1/2 Hex 4,5,26	178839	Nut, 11/32-32 Hex 10		
153537	Screw, 6-40 x 9/32 Hex 2,16	178872	Sleeve, 1/16 ID x 1/4" Lg Insulating 10		
153598	Pawl, Function 28				

**Refer to page 1 for finish suffix

NUMERICAL INDEX (Continued)

Part Number	Description and Page Number	Part Number	Description and Page Number	Part Number	Description and Page Number
182645	Connector, 9 Pt Receptacle Type 10	192054	Nut, 8-32 Shoulder 4	192248	Bracket Assembly, Lamp 13
182647	Connector, 12 Pt Plug Type 10	192056	Handle 4	192249**	Shelf, Paper Box 14
182648	Connector, 12 Pt Receptacle Type 10	192067	Bubble 2	192252	Cable Assembly 13
182653	Knob 10	192068	Bracket, Right Pivot 2	192253	Nut, No. 6 Speed 3
182658	Socket, Lamp 9	192069	Bracket, Left Pivot 2	192254	Screw, 6 x 3/4 Self-Tapping 3
182660	Switch, Pushbutton 9	192070	Guide, Form 2	192256	Hinge, Left 3
182662	Receiver 16,28	192073	Window, Glass 2,26	192259**	Shelf, Paper 14
182663	Plunger 10	192074	Foot w/Nut 4,15,24	192260**	Modification Kit 14
182664	Contact Assembly 10	192081	Ring 5	192261**	Bracket, Backstop 14
182666	Bar, Latch 10	192082	Bushing 5	192262**	Plate, Deflector 14
182667	Plunger 10	192083	Washer, Flat 5	192263	Holder, Handset 16
182683	Resistor, 50 Ohm 10	192084	Bracket, Right Rear 5	192264**	Plate, Mounting 14
182684	Strap 10	192085	Bracket, Left Rear 5	192266	Plate 2
182693	Jumper, 2-1/4" Orange 27	192086	Bracket, w/Stud 5	192267	Button 2
182713	Cap, Amber Lens 9	192088**	Tray, Paper 3	192269	Nut, Speed 11
182714	Cap, White Lens 9	192089**	Fence, Paper 3	192270	Bracket 4
182715	Cap, Red Lens 9	192090	Bracket 3	192271	Plate, Nut 4,28
182760	Screw, 6-32 Spl 11,12	192103	Window, Plastic 2	192273	Nut, Speed 4
182769	Block 10	192106	Plate, Nut 5	192274	Screw, 8-32 Spl 3,4,5,20,21
182965	Box, Chad 25	192115	Pad, Upper Cover Front 2	192276	Hinge, Right 3
183252	Post 13	192116**	Cover, Form Slot 3	192277	Stud 20
183256	Bushing 18	192137**	Rack, Mounting 4	192278	Arm, Right Counter Balance 3
183258	Handle, Copyholder 18	192138**	Rack, Mounting 4	192279	Arm, Left Counter Balance 3
185677	Terminal, Receptacle Type 10	192139	Lamp, 6V 13	192280	Bracket, Mounting 5
185679	Plate, Identification 27,28	192149	Plate, Latch 2	192281	Bracket 5
185684	Plate, Identification 28	192150	Bracket 4	192282	Plate, Nut 4,5,20
185686	Plate, Identification 28	192155	Bracket, Right Front 5	192286	Nut, Speed 3,13
185718	Diode w/Terminals 28	192158**	Panel 4,25	192287	Fastener, Pushbutton 4
186227	Caster 22	192163	Frame 5	192288	Nut, No.14 Speed 4
186229	Caster w/Brake 22	192165	Spring, Detent 3	192289	Screw, 1/4-14 Self-Tapping 4
186425	Plate, Base 28	192166	Bushing 5	192290	Pad, Base 4
186426	Bracket 28	192177	Terminal, Receptacle Type 10	192293	Pad, Lower Cover Side 3
186540	Screw, 1/4-20 Spl 4,22	192178**	Plate 6	192294	Pad, Tray 3
186598**	Faceplate 11	192179	Bracket, Mounting 5	192295	Pad, Upper Cover Side 2
186599**	Faceplate 11	192182	Bracket, Mounting 5	192296	Pad, Upper Cover Side 2
186682	Bracket 28	192191	Knob 13	192466	Bar, EDT Function 28
186779**	Faceplate 12	192192	Bushing 13	192471	Bar LF Function 28
186780**	Faceplate 12	192193	Shaft 13	192477	Bar, CR-FF Function 28
192006**	Cover, Lower 3	192201**	Coverplate 20	192538	Plug, Button 9
192007	Terminal, Tab Type 10,16, 27	192202**	Plate w/Brackets 7	193179	Lamp, 28V 9,10
192012**	Cover, Upper 2,23	192203	Window, Plastic 2	193276	Resistor, 750 Ohm 10
192014	Connector, 50 Pt Receptacle Type 10	192204**	Chute, Tape 20	193426	Bracket, Right 9
192050	Screw, 10-32 Shoulder 19	192212	Bracket, Lamp 13	193427	Bracket, Left 9
		192227**	Pedestal w/Pan 4,5,15,20, 22,24,26	193430**	Panel 8
		192228	Bracket 20	193434	Button Assembly 10
		192229	Plate, Nut 20	193438	Strip, Lamp 10
		192230	Plate, Clamp 2		
		192245**	Container, Chad 25		

**Refer to page 1 for finish suffix

NUMERICAL INDEX (Continued)

Part Number	Description and Page Number	Part Number	Description and Page Number	Part Number	Description and Page Number
193451	Bell Assembly, Signal 16	197082	Bracket, Switch 9	199343**	Tray, Paper 3
193452	Cable w/Terminals 16	198019	Lamp, 6V 10	199347	Bracket Assembly, Lamp 13
193476	Jumper, 2-3/4" Black 27	198106	Bracket 19	199349	Cable Assembly 13
193478	Speaker 16	198107	Latch, Spring 19	199353**	Plate, Right 6
193480	Speaker Assembly 16	198109	Spring 19	199358**	Plate w/Studs 6
194575	Post, Locating 15,24	198112**	Plate 19	199359**	Plate w/Studs 6,27
194775	Spacer, .050" Thk 16	198113**	Plate 19	199362	Post, Pivot 4
194776	Screw, 6-32 Spl 4,16,27	198124**	Coverplate 20	199418	Insulator 9
194777	Bracket, Switch 10	198156**	Compartment, Tape 20	199470	Plate, Nut 18
194778	Grille, Speaker 16	198157	Post 20	199473	Baffle, Tape 20
194819	Clip, Spring 11,27	198158	Indicator, Replace Tape 19	199474	Guide, Tape 20
194822	Holder, Directory 14	198161**	Coverplate 20	199918	Modification Kit 15
194823	Plate, Nut 3	198162**	Funnel, Tape 20	199921	Strip, Wear 15,24
194902	Bracket, Stop 4	198163**	Fence, Bracket 3	199924	Modification Kit 15
194904	Hinge w/Pins 3	198164**	Plate w/Brackets 7	199929	Guide, Tape 15,24
194905	Bracket, Hinge 4	198169**	Dome 19	199934	Modification Kit 15
194911	Lockwasher 5,20	198176	Plate w/Studs 20	199937	Magnet 15
194912	Screw, 10-32 Shoulder 4	198177**	Modification Kit 1,19	199938	Modification Kit 15
194913	Nut, 10-32 Acorn 4	198246**	Plate w/Studs 6	199939	Shelf, Tape Winder 15
194919	Bracket, Latch 4,27	198251**	Panel 8	199943	Shelf, Tape Winder 15
194920	Latch, Lower Cover 4	198253	Switch, Rotary 9	199944	Shelf 15
194921	Pin, Stop 4	198286**	Panel 8	199955	Magnet 15
194965	Latch, Left Dome 2	198299	Label 2	199957	Shelf 15
194966	Latch, Right Dome 2	198413	Switch, Lever 10	199958	Nut, Cap 15
194969**	Copyholder 18	198437**	Panel 8	199959	Bolt, 1/4-20 x 1-1/2 Rd 15
194970**	Tray 18	198451	Bracket, Switch 9	199960	Bolt, 1/4-20 x 1-3/4 Rd 15,24
194981	Shaft, Line Guide 18	198472	Bar, Function 28	199964	Nut, 1/4-20 Cap 15,24
194983	Retainer 3	198513**	Panel 8	301664	Coverplate 4,27
194984	Screw, No.6 x 1-1/2 Spl 4	198527	Bracket 9	301670**	Plate 6
194985	Clamp 2	198648**	Plate, Hanger 25	301671**	Panel 8
194987	Screw, 8-32 x 3/8 Hex 5	198654	Bracket, Locating 11,27	301677**	Telephone Assembly 1,17
194988	Screw, 10-32 Spl 3	199250	Nameplate 3	301678	Reel Assembly, Cord 17
195209	Modification Kit 16	199253	Nameplate 3	301707	Hook, Switch 17
195223	Plate, Instruction 5	199256	Nameplate 3	301708	Bail 17
195237	Cable w/Terminals 16	199259	Nameplate 3	301709	Bracket, Mounting 17
195629	Plate 2	199272	Nameplate 3	301710	Plate, Mounting 17
195833**	Modification Kit 1,19	199275	Nameplate 3	301711**	Container 17
195839**	Bracket, Backstop 14	199283	Nameplate 3	301724	Contact Assembly 17
195844	Lamp, 6V 10	199286	Nameplate 3	301726	Cable Assembly 17
195857**	Cover 19	199306	Guide 2	301733	Shaft 17
195860**	Housing 19	199309	Stud 11,27	301736	Bracket, Switch 9
195861	Extension, Foot 14	199317	Relay 9	301738**	Panel 8
195862	Connector, 2 Pt Plug 10	199318	Clamp 13	301740**	Plate 6
195863	Connector, 2 Pt Receptacle 10	199321	Bracket 13	301744**	Handset Assembly 17
195864	Terminal 10	199323	Cable Assembly 13	301769	Bar, Latch 10
195871	Label 2	199324	Cover, Lamp 13	301770	Bracket, Latch 4
195877	Nut, 9/16-27 Hex 25	199335	Shaft 13	301800	Bracket, Left Latch 4
197028	Terminal 4	199336	Guide, Line 18	301801	Latch, Cover 4
197081	Switch, 3 Positions 10	199337	Retainer 4	301803	Plate 19
		199342**	Cover, Lower 3,24		

**Refer to page 1 for finish suffix

NUMERICAL INDEX (Continued)

Part Number	Description and Page Number	Part Number	Description and Page Number	Part Number	Description and Page Number
301804	Plate 19	319929**	Container, Switch 21	328304	Bracket, Switch 9
301814	Guide, Inner Cord 17	320252**	Panel 7	328743	Switch, Lever 10
301815	Strip, Mounting 17	320408	Terminal, Spade Type 10	328777	Switch, Rotary 9
304266	Switch, Rocker 10	320410	Terminal, Spade Type 10,16	328797	Insulator 9
305058	Guide 10" Form 2	320416	Terminal, Ring Type 17	328949	Guard 22
305409	Cap, Blue Lens 9	320418	Terminal, Ring Type 10	328962	Guide, Form 22
305725	Spring, Stop 4	320466**	Panel 6	328963	Guide, Form 22
306670	Guide, 3-5/8" Form 2	321094**	Shield, Anti-Glare 2	328965	Bubble 22
306671	Guide, 4" Form 2	321498**	Faceplate 12	329018	Bubble Assembly 1,22
306672	Guide, 4-1/4 or 4-5/16" Form 2	321564**	Panel 8	329025	Plate, Latch 22
306673	Guide, 4-1/2" Form 2	321568	Bracket, Switch 9	329091**	Faceplate 12
306674	Guide, 5" Form 2	321584**	Modification Kit 1,24	330779**	Faceplate 12
306675	Guide, 5-1/2" Form 2	321585**	Modification Kit 1,24	332784**	Panel 6
306676	Guide, 3-3/4" Form 2	321586**	Modification Kit 1,24	332858	Foot 22
306677	Guide, 6" Form 2	321765**	Faceplate 12	332859	Bracket 22
306678	Guide, 6-1/4" Form 2	323018	Switch, Pushbutton 10	333192**	Hub 24
306679	Guide, 6-3/8" Form 2	323019	Plate, Switch 9	333193**	Shelf 24
306680	Guide, 6-1/2" Form 2	323020	Switch, Rotary 9	333196**	Shelf 24
306681	Guide, 7" Form 2	323021	Bracket, Switch 9	333197**	Shelf 24
306682	Guide, 7-1/2" Form 2	323064	Pushbutton 10	333205**	Plate 24
306683	Guide, 8" Form 2	323080**	Panel 7	333206	Bracket 24
306684	Guide, 8-1/2" Form 2	323091	Bracket 4	333456	Modification Kit 1,22
306685	Guide, 9" Form 2	323106**	Panel 7	333588	Lamp, 28V Miniature 10
306731	Gasket 2,26	323419	Bin Assembly, Tape 23	334568	Plate 9
306786	Switch, 3 Pole Rotary 9	323420	Frame 23	334591	Switch, Lever 10
307219	Jumper, 6" Black 27	323421	Plate 23	334652	Insulator, Switch 9
307226**	Copyholder 18	323422**	Container, Chad 23	334653	Switch, Rotary 9
307228**	Modification Kit 1,18	323423**	Plate 23	334683**	Faceplate 12
308437	Pin, Shoulder 9	323424**	Bin Assembly, Tape Storage 1,23	334711**	Panel 7
310115**	Modification Kit 20	323425	Window 23	336110**	Faceplate 12
310116**	Cover 20	323633	Plate, Instruction 5	336117**	Faceplate 12
310300**	Panel 6	324085**	Panel 7	336457**	Faceplate 12
310301**	Panel 7	326615**	Panel 7	336459	Plate 28
310340	Clamp 20	326616	Bracket 9	336474**	Modification Kit 1,27,28
310723	Arm, Stop 19	326617	Switch, NO-NC Push-button 9	336495	Plate 27
311221**	Panel 6	326620**	Panel w/Studs 6	336496	Insulator 27
311898	Knob 9	326621	Bracket 9	336497	Cable Assembly 27
311900	Switch, Rotary 9	327116**	Panel 7	336498	Cable w/Terminals 27
311901	Cap, Green 9	327369	Deflector, Tape 23	336958	Jumper, 6" 28
311902	Switch, DP-DT Toggle 10	327370	Bracket 23	340097	Box Assembly, Chad 1,25
311903	Switch, Pushbutton 10	327371	Shaft 23	340098	Bracket 25
311905**	Panel 7	327591**	Faceplate 12	341449	Bumper, Rubber 25
311906	Bracket 9	327607	Bracket, Switch 9	342188	Clamp 2
312278**	Cover, Upper 2	327608**	Panel w/Studs 7	343504	Bushing, Shoulder 4
312411**	Switch Assembly, Keyset 1,21	328180**	Cover 21	343505	Rivet 4
312422	Switch 21	328181**	Bracket 21	343690**	Shelf 26
312423	Cable Assembly 21	328183**	Panel w/Studs 6	343691**	Modification Kit 1,26
312424	Bracket, Switch 21	328189**	Faceplate 12	343797	Pad 2
319927**	Plate, Bottom 21	328303**	Panel 8	343798	Shield Assembly 2
				344264	Bracket, Switch 9

**Refer to page 1 for finish suffix