

28 ELECTRICAL SERVICE UNIT (LESU)
FOR WALL MOUNTED KSR/RO
PARTS

FIGURE	CONTENTS	PAGE
1	Electrical Service Unit	2
2	176921 Transformer and Relay Assembly	3
3	194086 Modification Kit to Adapt Wall Mounted Printer for Selective Calling	4
4	178518 Motor Control Assembly	5
5	176985 Rectifier and Cable Assembly (500MA)	6
6	178507 Selector Magnet Driver Assembly	7
	Numerical Index	8

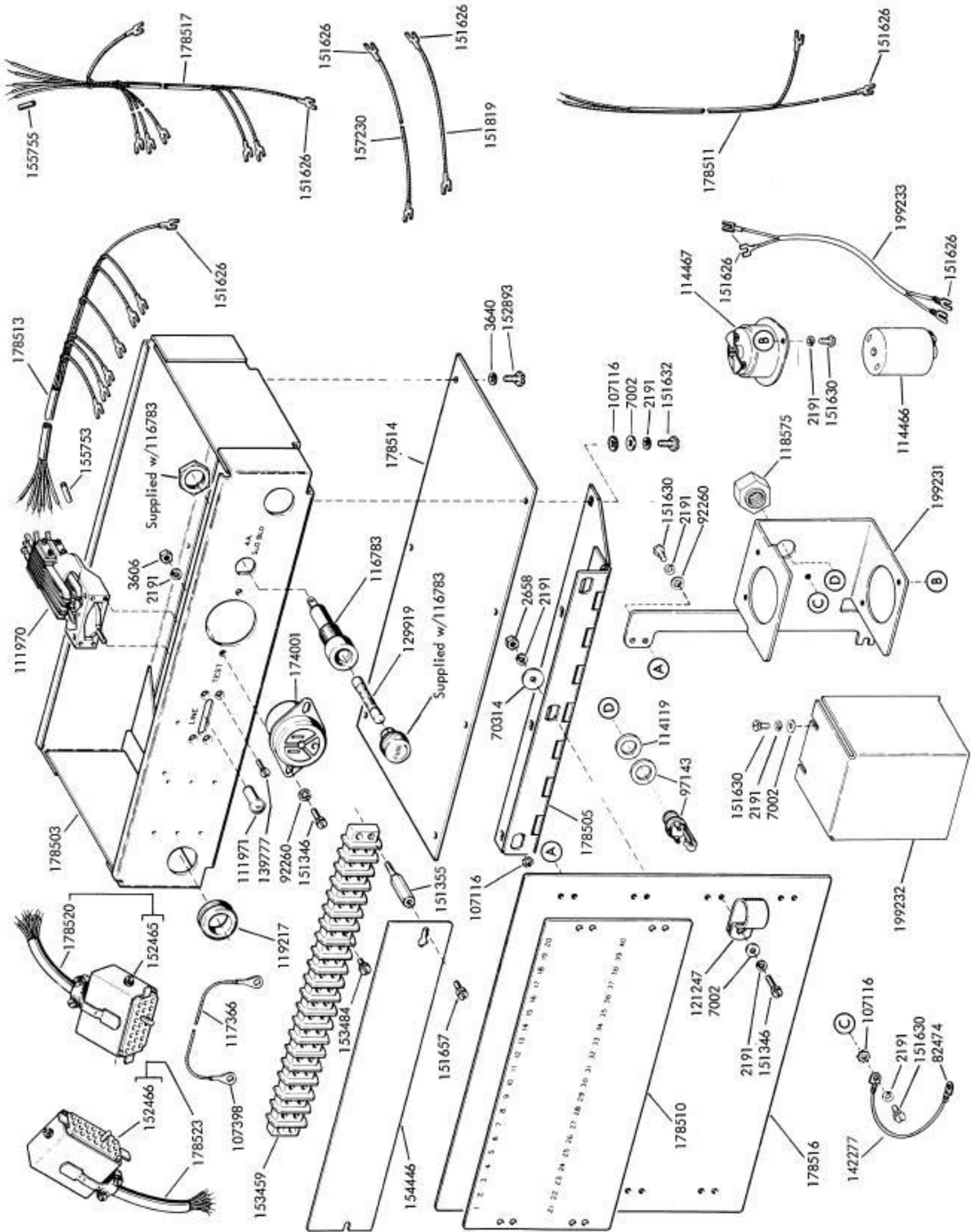


FIGURE 1. ELECTRICAL SERVICE UNIT

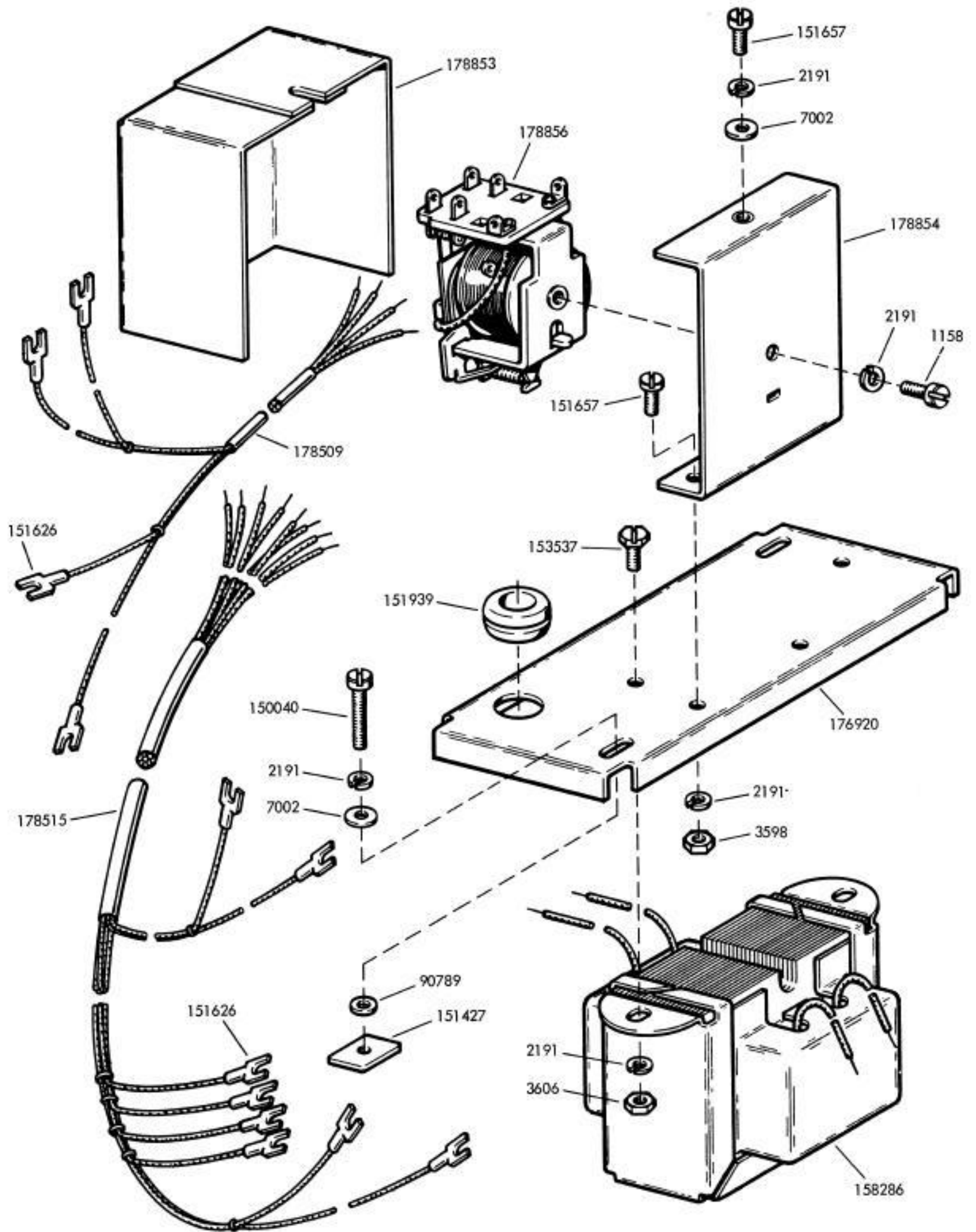


FIGURE 2. 176921 TRANSFORMER AND RELAY ASSEMBLY

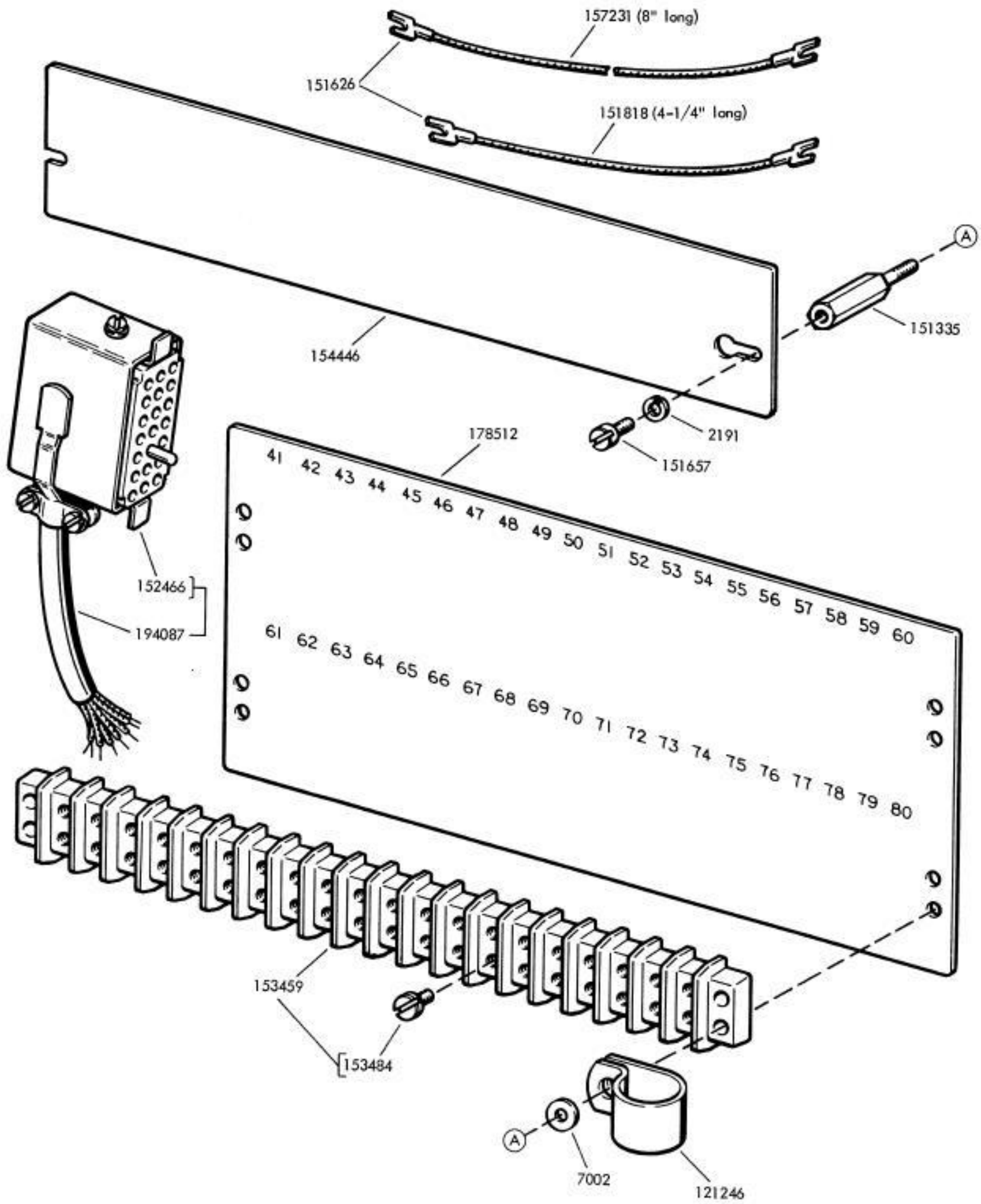


FIGURE 3. 194086 MODIFICATION KIT TO ADAPT WALL MOUNTED PRINTER FOR SELECTIVE CALLING

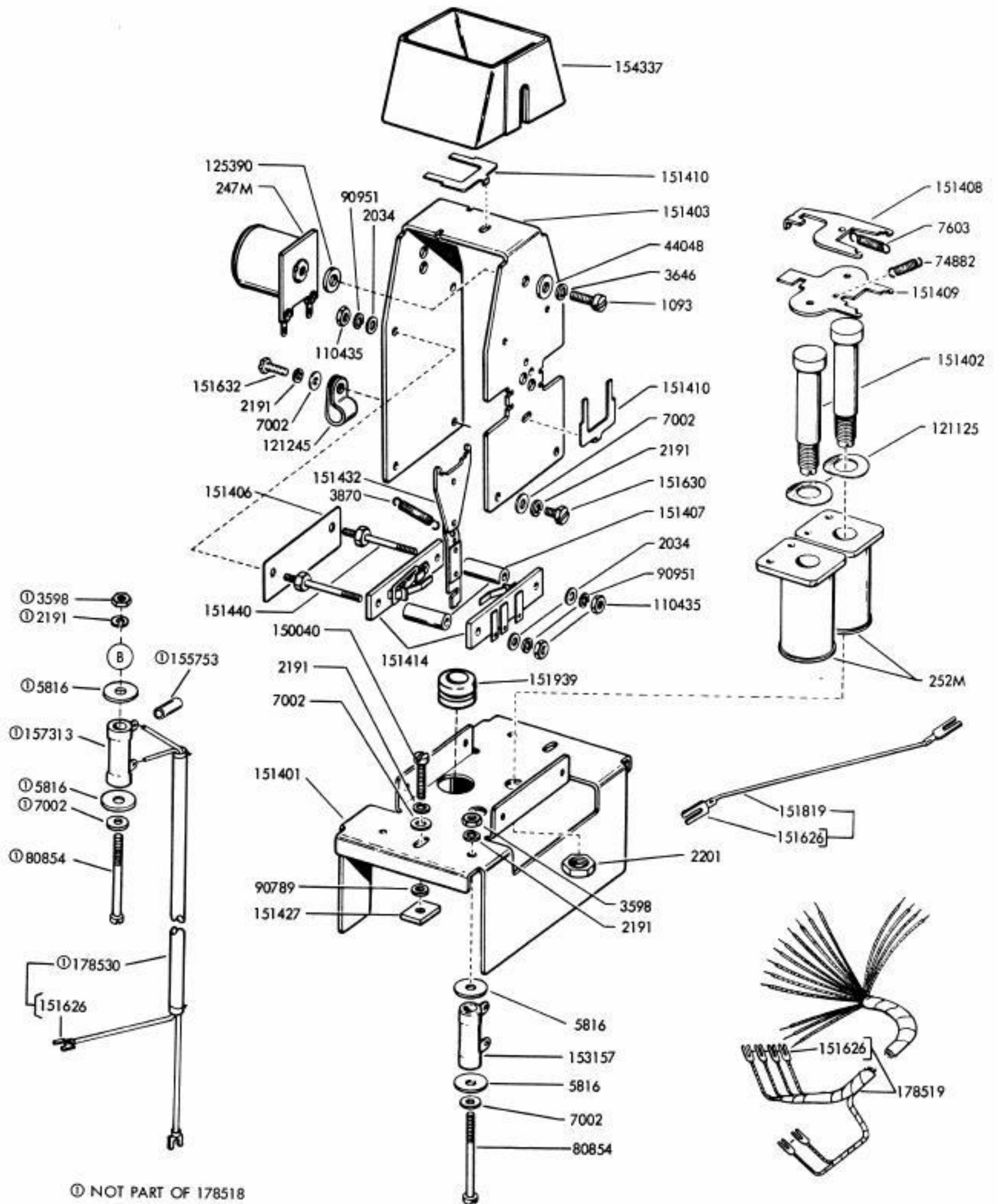


FIGURE 4. 178518 MOTOR CONTROL ASSEMBLY

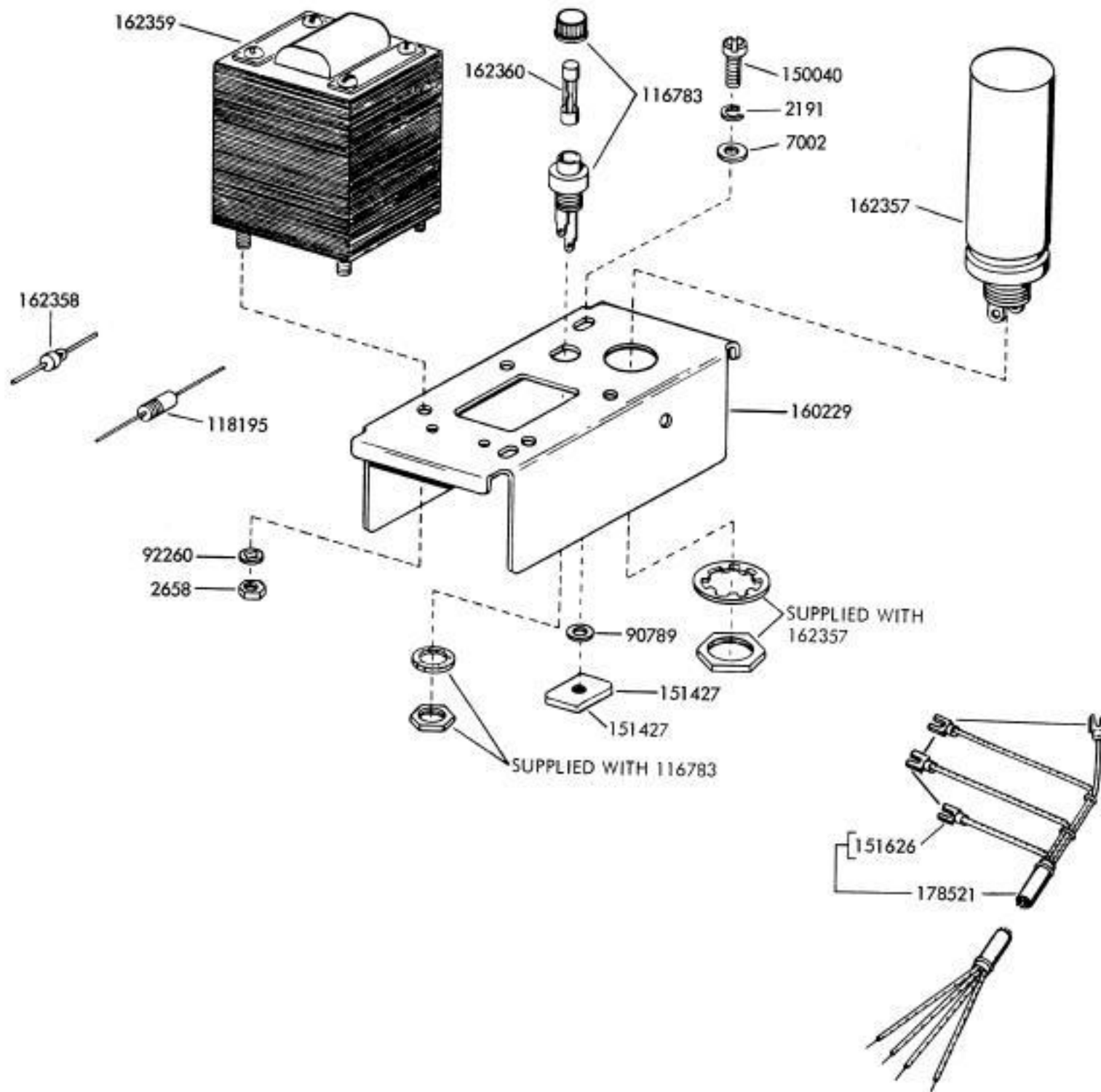


FIGURE 5. 176985 RECTIFIER AND CABLE ASSEMBLY (500MA)

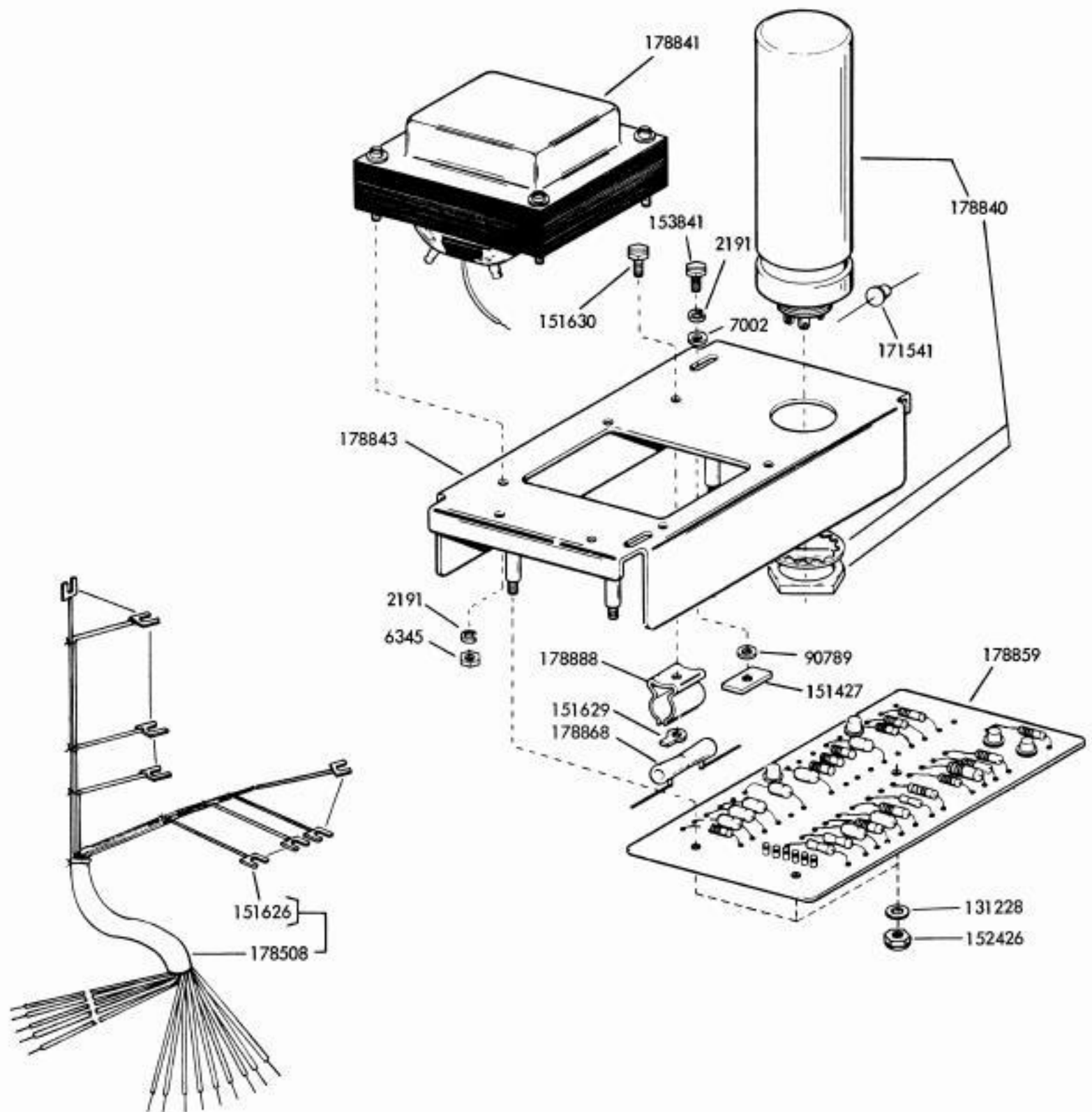


FIGURE 6. 178507 SELECTOR MAGNET DRIVER ASSEMBLY

NUMERICAL INDEX

Part Number	Description and Page Number	Part Number	Description and Page Number	Part Number	Description and Page Number
247M	Coil, Magnet 5	139777	Screw (3-56 x 1/4 Flat) 2	157230	Jumper (6" Lg Black) 2
252M	Coil, Magnet 5	142277	Cable W/Terminal 2	157231	Jumper (8" Lg Black) 4
1093	Screw (8-32 x 7/16 Fil) 5	150040	Screw (6-40 x 5/8 Fil) 3, 5, 6	157313	Resistor (1800 Ohm) 5
1158	Screw (6-32 x 5/16 Fil) 3	151335	Stud 2, 4	158286	Transformer 3
2034	Washer, Flat 5	151346	Screw (6-40 x 3/8 Fil) 2	160229	Plate, Mounting 6
2191	Washer, Lock 2 to 7	151401	Base 5	162357	Capacitor (500 MFD) 6
2201	Nut (5/16-32 Hex) 5	151402	Core 5	162358	Diode 6
2658	Nut (6-32 Hex) 2, 6	151403	Frame 5	162359	Transformer, Power 6
3598	Nut (6-40 Hex) 3, 5	151406	Plate, Insulating 5	162360	Fuse (.8 Amp) 6
3606	Nut (6-40 Hex) 2, 3	151407	Collar, Spacing 5	171541	Diode 7
3640	Washer, Lock 2	151408	Lever 5	174001	Connector, Receptacle (3 Pt) 2
3646	Washer, Lock 5	151409	Armature 5	176920	Plate, Mounting 3
3870	Spring 5	151410	Clip, Retaining 5	176921	Relay Assembly 3
5816	Washer, Flat 5	151414	Switch, Sensitive 5	176985	Rectifier Assembly 6
6345	Nut (6-32 Hex) 7	151427	Plate, Clamp 3, 5 to 7	178503	Base 2
7002	Washer, Flat 2 to 7	151432	Armature 5	178505	Hinge 2
7603	Spring 5	151440	Stud (4-40) 5	178507	Driver Assembly, Selector Magnet 7
44048	Washer, Flat 5	151626	Terminal 2 to 7		
70314	Washer, Flat 2	151629	Nut (6-40 Lug) 7	178508	Cable W/Terminals 7
74882	Spring 5	151630	Screw (6-40 x 1/4 Hex) 2, 5, 7	178509	Cable W/Terminals 3
80854	Screw (6-40 x 1-7/16 Fil) 5	151632	Screw (6-40 x 3/8 Hex) 2, 5	178510	Insulator (1-40) 2
82474	Terminal 2	151657	Screw (6-40 x 1/4 Fil) 2 to 4	178511	Cable W/Terminals 2
90789	Washer, Flat 3, 5 to 7	151818	Jumper (4-1/4" Lg Black) 4	178512	Insulator (41-80) 4
90951	Washer, Lock 5	151819	Jumper (3" Lg Black) 2, 5	178513	Cable W/Terminals 2
92260	Washer, Lock 2, 6	151939	Grommet, Rubber 3, 5	178514	Plate, Bottom 2
97143	Jack 2	152426	Nut, Self-Locking (6-40) 7	178515	Cable W/Terminals 3
107116	Washer, Lock 2	152465	Connector, Receptacle (20 Pt) 2	178516	Plate 2
107398	Terminal 2	152466	Connector, Receptacle (20 Pt) 2, 4	178517	Cable W/Terminals 2
110435	Nut (4-40 Hex) 5	152893	Screw (4-40 x 1/4 Hex) 2	178518	Control Assembly, Motor 5
111970	Key, Line Test 2	153157	Resistor (400 Ohm) 5	178519	Cable W/Terminals 5
111971	Knob 2	153459	Block, Terminal 2, 4	178520	Cable Assembly 2
114119	Washer, Insulating 2	153484	Screw, Terminal (6-32) 2, 4	178521	Cable W/Terminals 6
114466	Connector, Receptacle (2 Pt) 2	153537	Screw (6-40 x 9/32 Hex) 3	178523	Cable Assembly 2
114467	Connector, Plug (2 Pt) 2	153841	Screw (6-40 x 9/16 Hex) 7	178530	Cable W/Terminals 5
116783	Holder, Fuse 2, 6	154337	Cover 5	178840	Capacitor (400 MFD) 7
117366	Jumper (8-1/2" Lg Green) 2	154446	Cover 2, 4	178841	Transformer 7
118195	Resistor (27,000 Ohm) 6	155753	Sleeve, Insulating (1/8 ID x 1/2" Lg) 2, 5	178843	Plate, Mounting 7
118575	Nut, Insulating (3/8-32) 2	155755	Sleeve, Insulating (11/64 ID x 5/8" Lg) 2	178853	Cover, Relay 3
119217	Grommet, Rubber 2			178854	Bracket, Relay 3
121125	Washer, Spring 5			178856	Relay 3
121245	Clamp, Cable (5/16" ID) 5			178859	Card, Circuit 7
121246	Clamp, Cable (3/8" ID) 4			178868	Resistor (700 Ohm) 7
121247	Clamp, Cable (7/16" ID) 2			178888	Clip 7
125390	Washer, Flat 5			194086	Modification Kit 4
129919	Fuse (4 Amp) 2			194087	Cable Assembly 4
131228	Washer, Insulating 7			199231	Bracket, Connector Mounting 2
				199232	Cover 2
				199233	Cable W/Terminals 2