

28 SEND-RECEIVE KEYBOARD (LLK)
AND
28 RECEIVE-ONLY BASE (LLB)
PARTS

FIGURE	CONTENTS	PAGE
1	Send-Receive Mounting Plate and Components	2
2	Receive-Only Mounting Plate and Components	3
3	195553 Time Delay Motor Stop Assembly	4
4	Mounting Pans	5
5	Keyboard Frame and Reset Mechanism	6
6	Keyboard Code Bar Mechanism	7
7	Keyboard Cover and Keylever Arrangement	8
8	Keytops	9
9	Gear Shift Mechanism (Send-Receive and Receive-Only)	10
10	Distributor Components	11
11	Distributor Clutch Mechanism	12
12	Distributor Clutch Trip Mechanism	13
13	151988 Modification Kit to Add Power Line Electrical Noise Suppressor	13
	Numerical Index	14

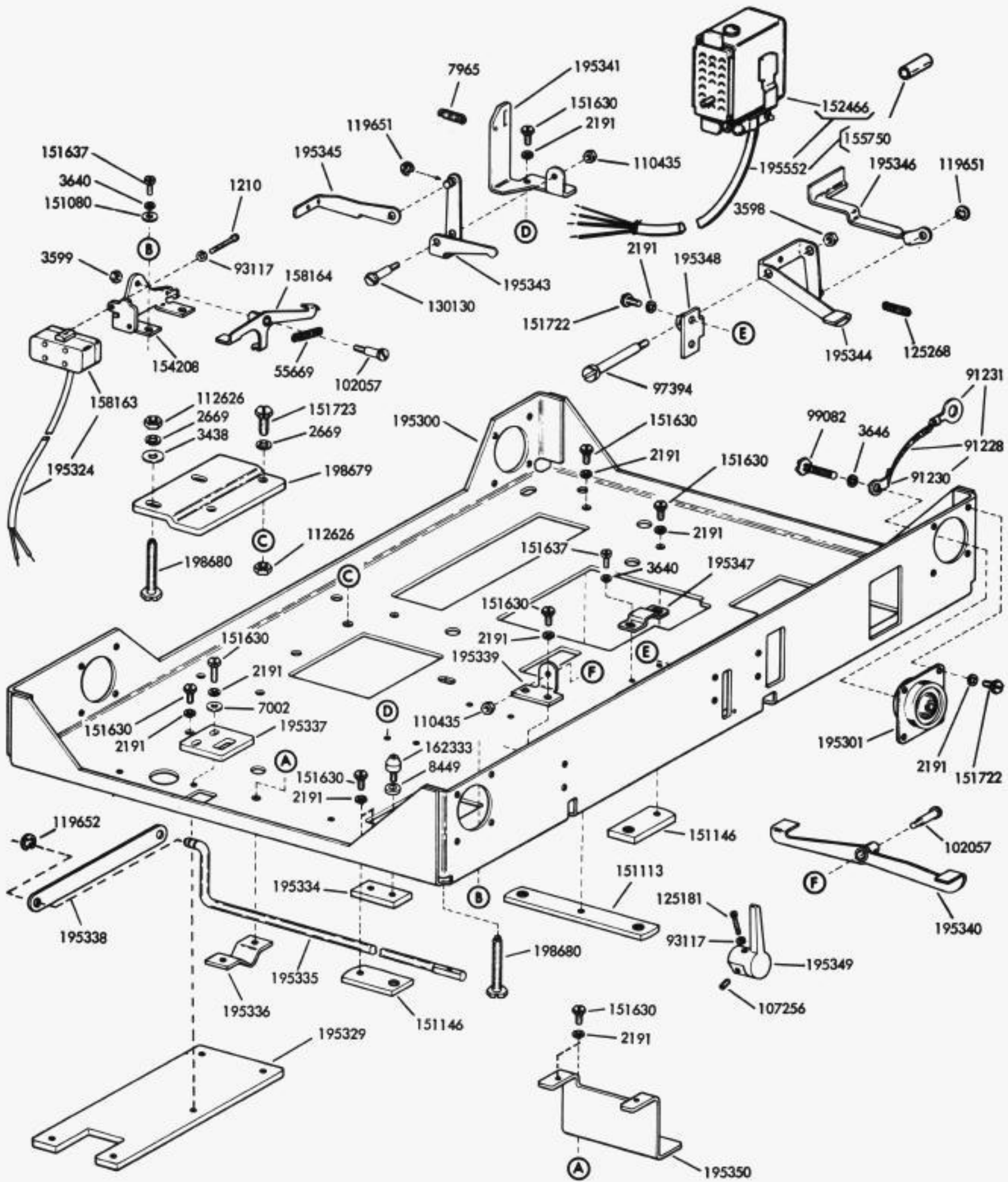


FIGURE 1. SEND-RECEIVE MOUNTING PLATE AND COMPONENTS

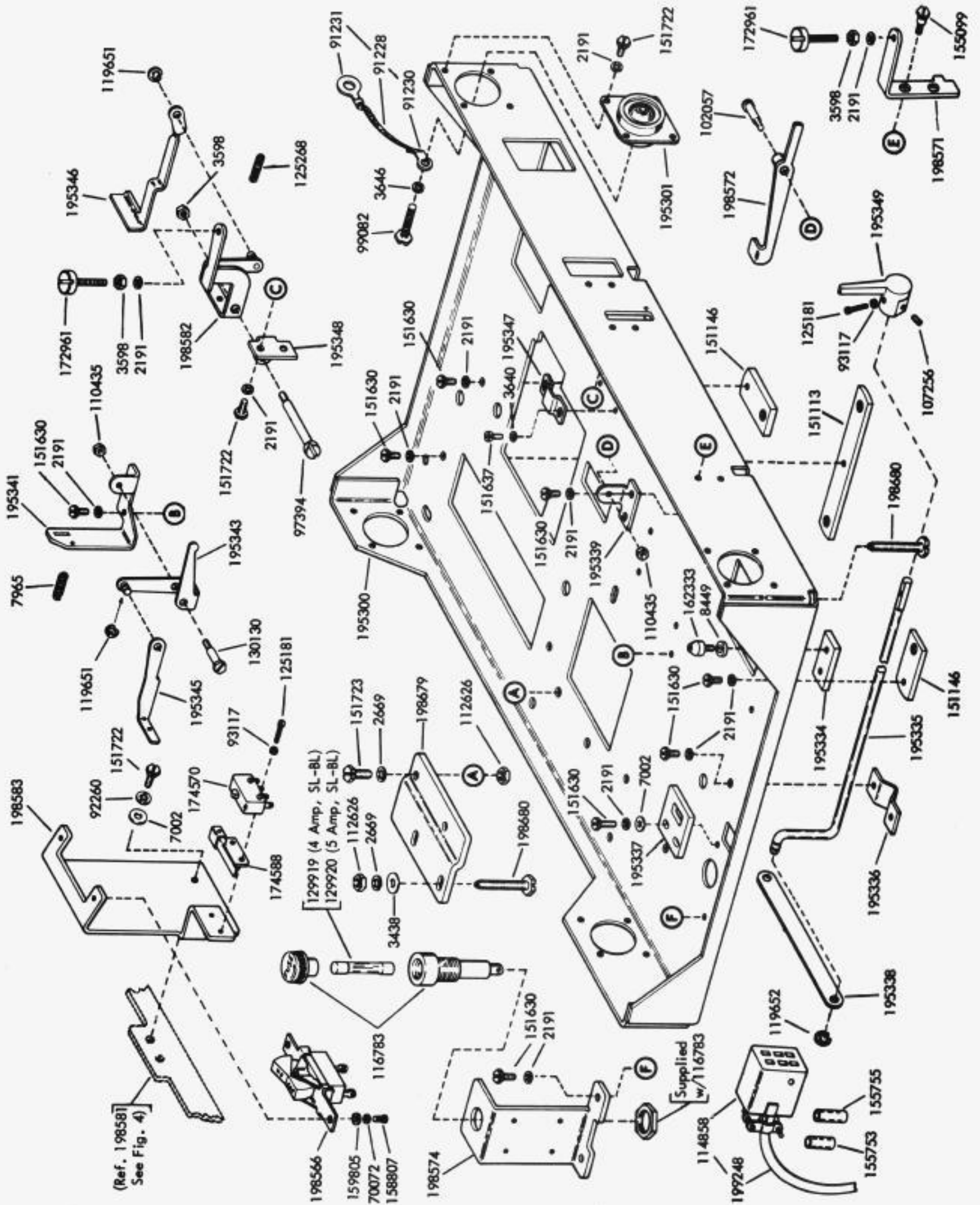


FIGURE 2. RECEIVE-ONLY MOUNTING PLATE AND COMPONENTS

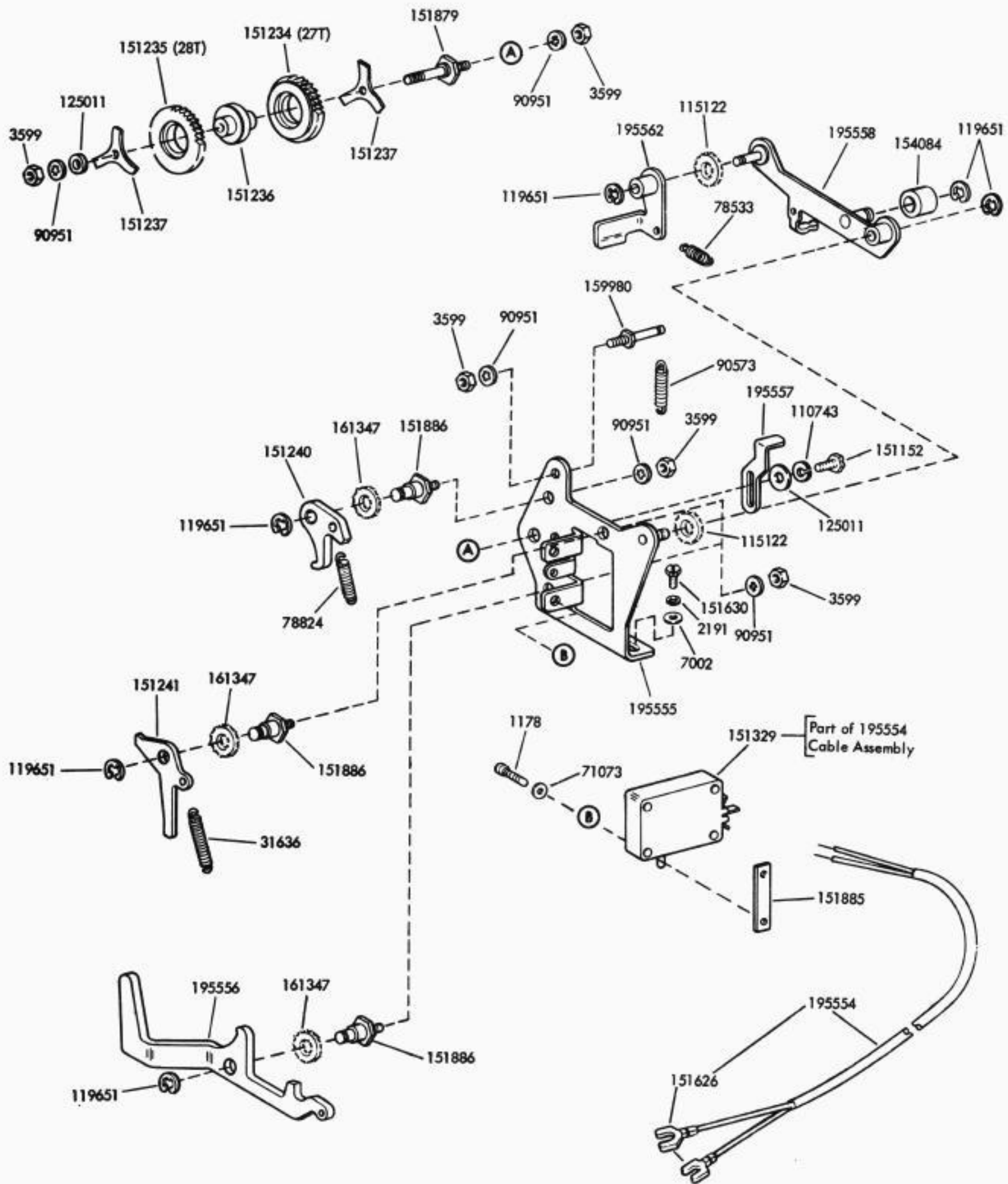


FIGURE 3. 19553 TIME DELAY MOTOR STOP ASSEMBLY

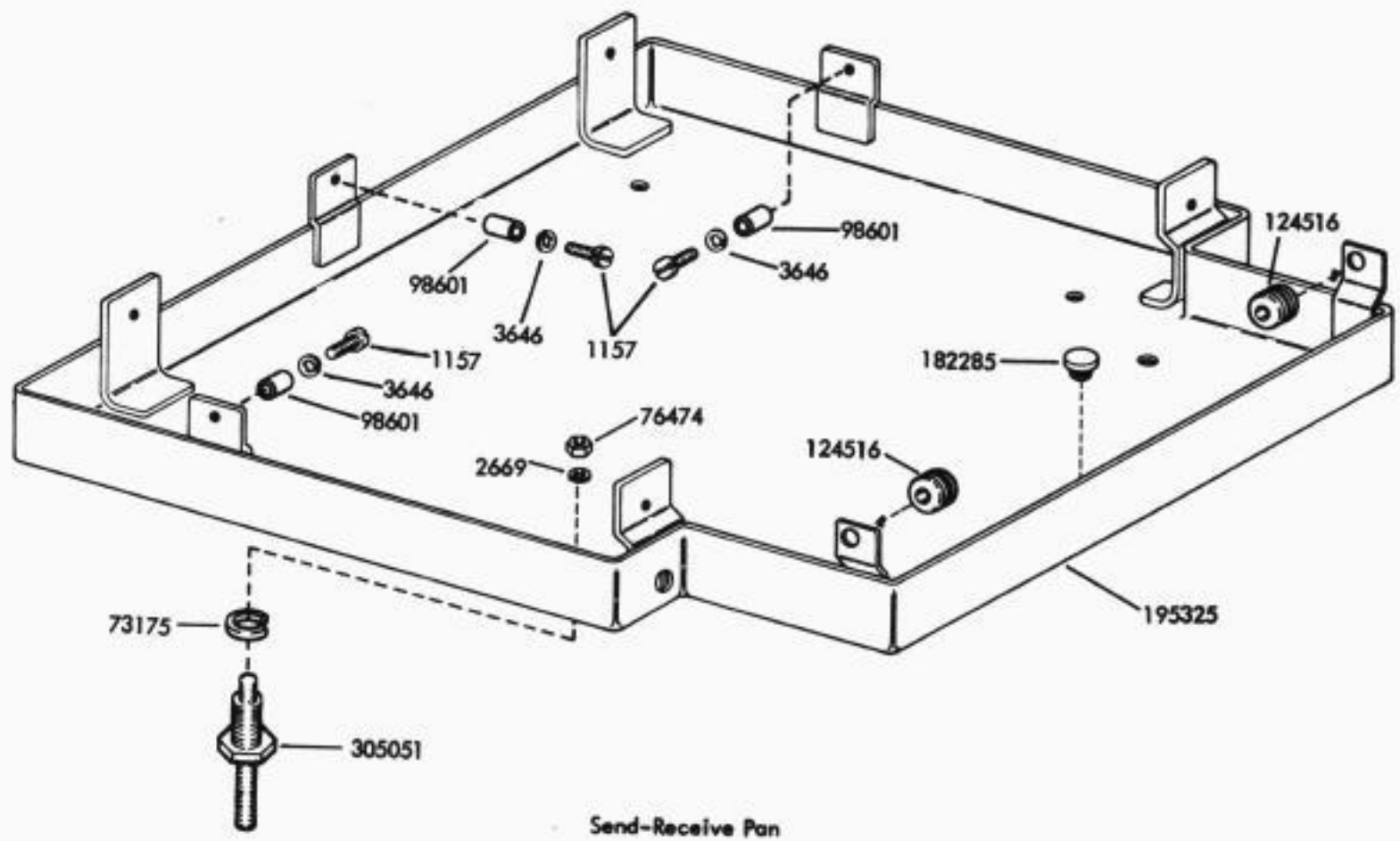
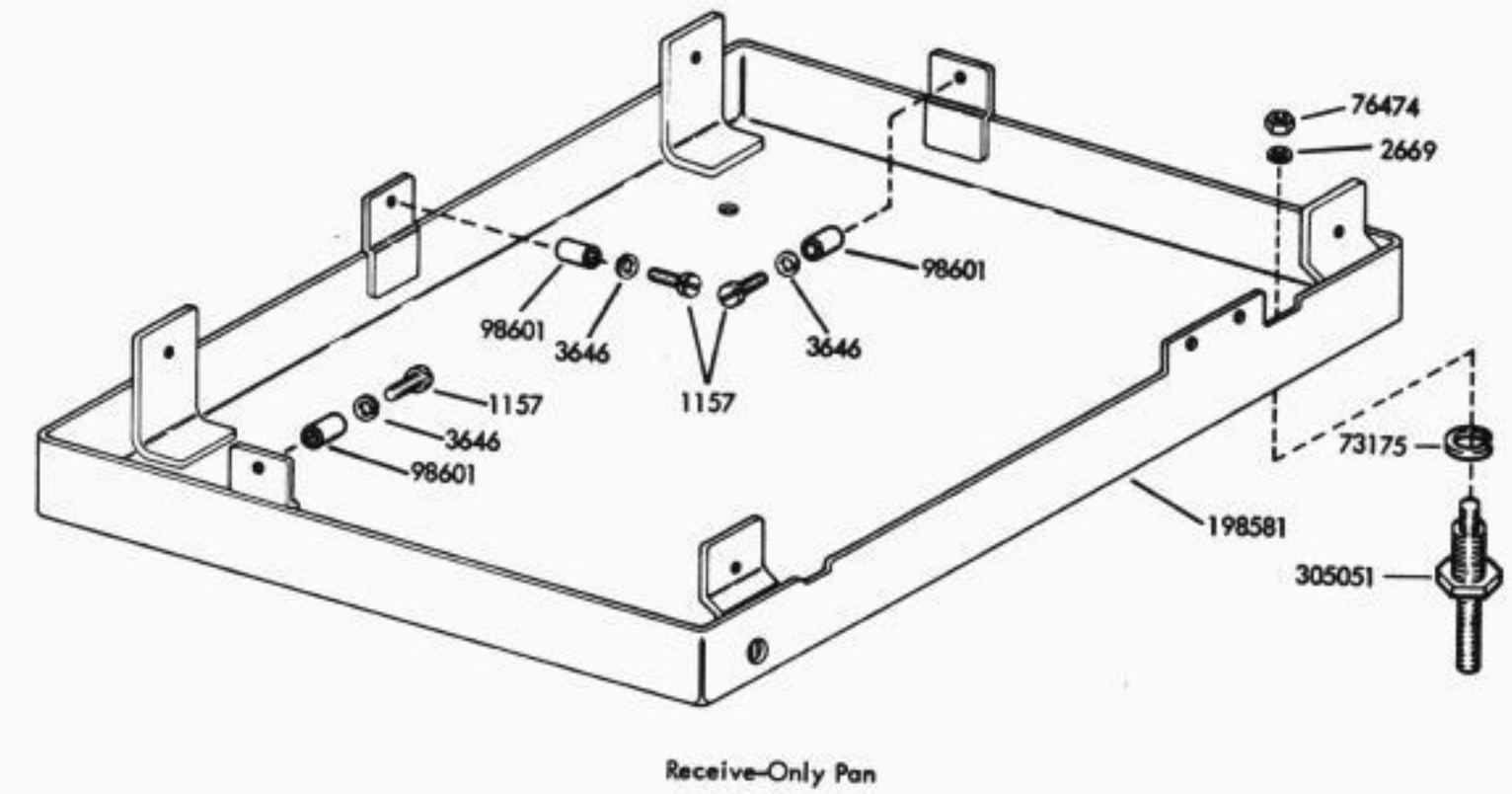


FIGURE 4. MOUNTING PANS

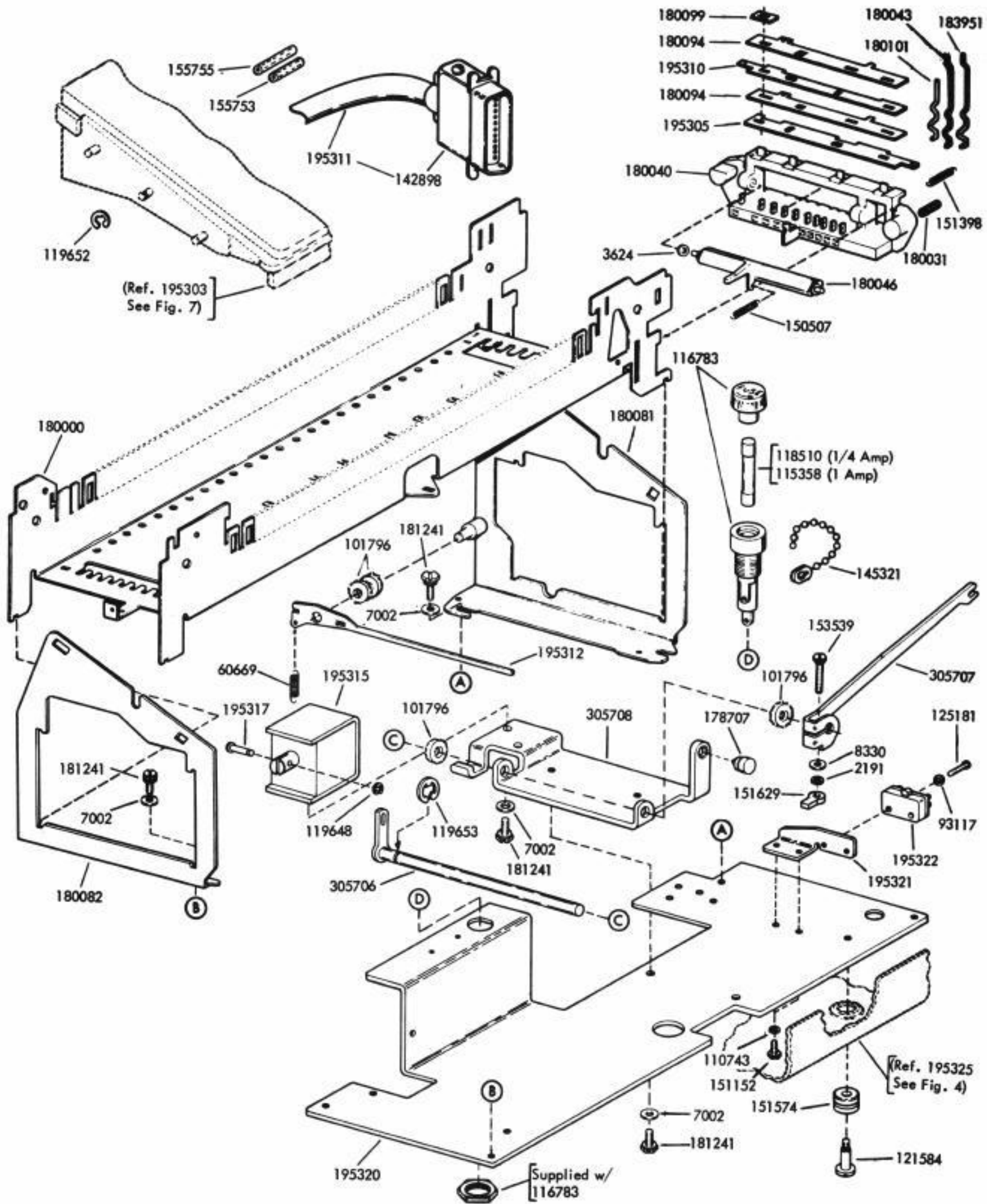
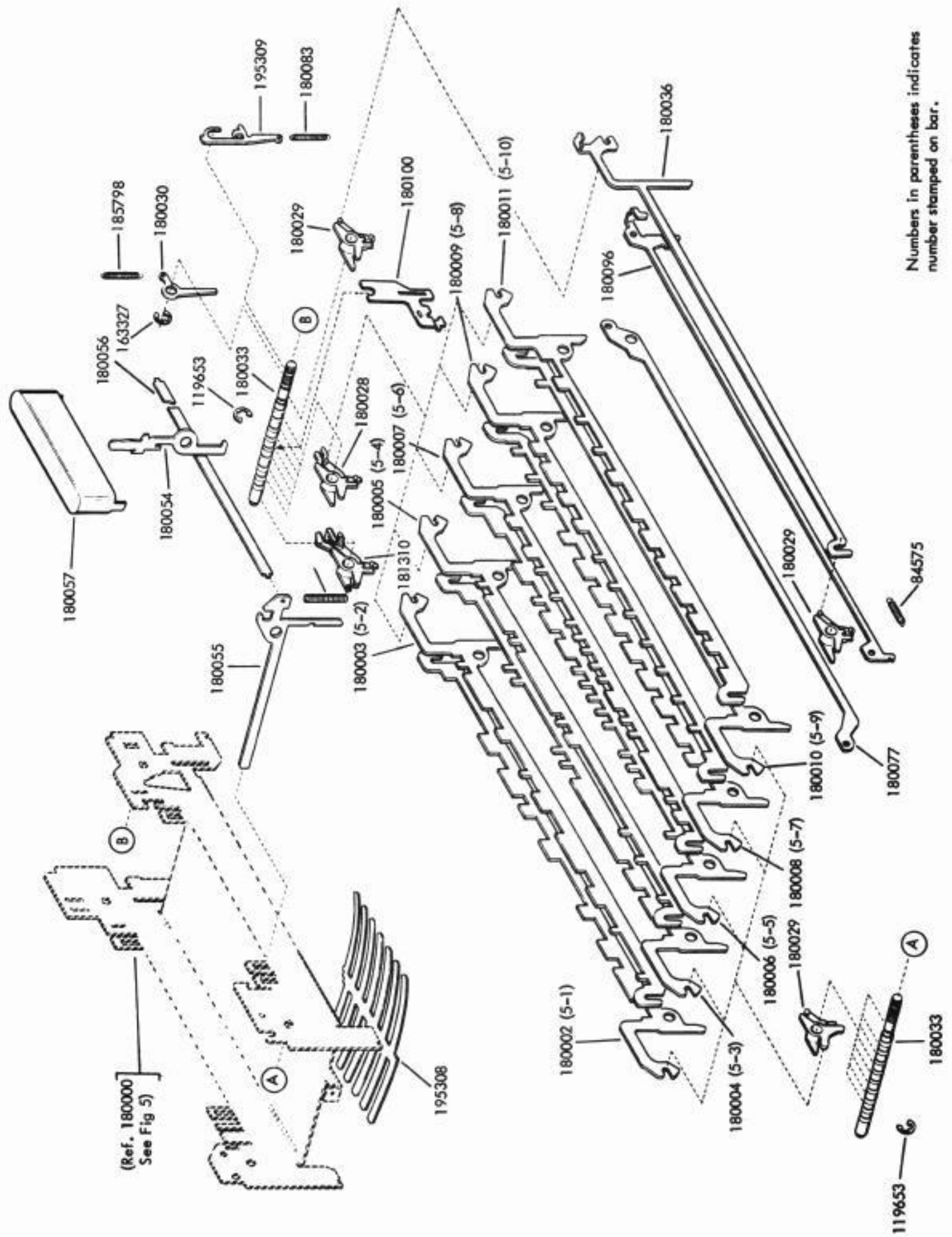


FIGURE 5. KEYBOARD FRAME AND RESET MECHANISM



Numbers in parentheses indicates number stamped on bar.

FIGURE 6. KEYBOARD CODE BAR MECHANISM

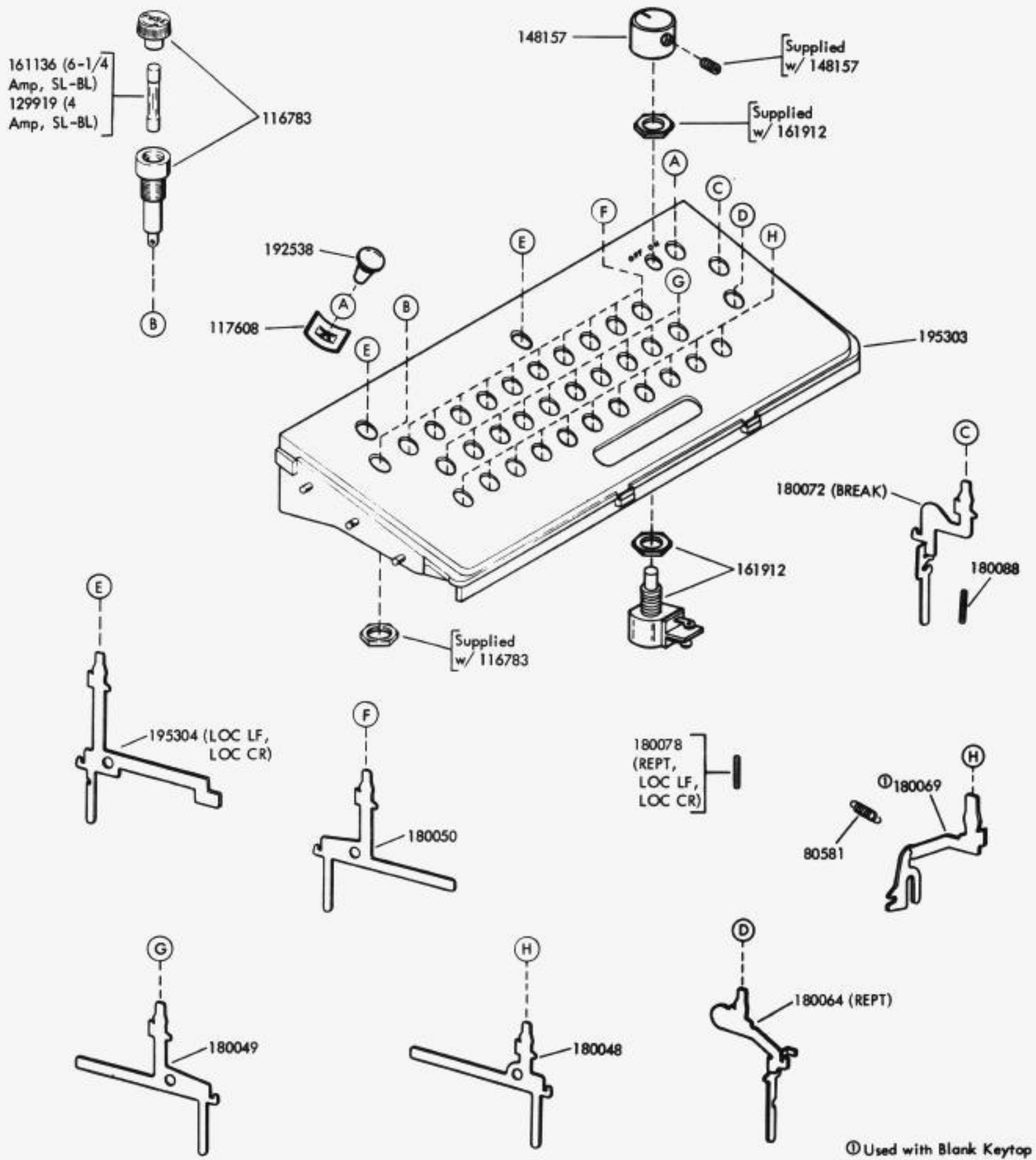


FIGURE 7. KEYBOARD COVER AND KEYLEVER ARRANGEMENT



Keytop Description			Part Number	Keytop Description			Part Number	Keytop Description			Part Number
Lower Case	Upper Case			Lower Case	Upper Case			Lower Case	Upper Case		
	LOC	LF	① 151249	G	&L	180227	T	5		180217	
	LOC	CR	① 151250	G	\	185233	U			180177	
1			180160	H	∠	180186	U	7		180219	
2		"	180161	H	∠	180228	V			180193	
3		#	180162	H	↓	185234	V	=		180276	
4		\$	180163	I	8	180220	V	;L		180235	
5		%	180164	I	TAB	180178	V	3/8		180248	
6		&	180165	J		180187	V	;		180342	
7		'	180166	J	BELL	180229	V	⊕		185239	
8		(180167	J	'	180243	W			180172	
9)	180168	J	'	180390	W	2		180214	
0			180169	J	/	185235	X			180191	
A			180181	K	VT	180188	X	/		180233	
A		-	180223	K	1/2	180244	Y			180176	
A		↑	185230	K	(180230	Y	6		180218	
B			180194	K	←	185236	Z			180190	
B		5/8	180249	L	FORM	180189	Z	+		180275	
B		?	180236	L	3/4	180245	Z	"L		180232	
B		⊕	185240	L)	180231	Z	"		180246	
C			180192	L	\	185237		SHIFT		180061	
C		WRU	180247	M		180196		RUB OUT		180201	
C		:	180234	M	.	180238		RETURN		180202	
C		O	185238	N		180250		LINE FEED		180203	
D		EOT	180183	N	,	180237		HERE IS		180206	
D		+	180225	N	↑	180195		BREAK		180207	
D		\$	180240	N	⊕	185241		REPT		180208	
D		WRU	180277	N	←	180179		FIGS		180210	
D		/	185231	O	9	180221		LTRS		180211	
E		WRU	180173	O	@	180180		ALT MODE		180257	
E		3	180215	P	0	180222		(No Symbol)		180299	
F			180273	P	β	180389		CTRL		181253	
F		RU	180184	Q	1	180171	-	=		180170	
F		1/4	180241	Q	1	180213	.	∨		180197	
F		SL	180226	R	TAPE	180174	:	∨		180198	
F		→	185232	R	4	180216	;	+		180199	
F		!	180343	S	BELL	180239	/	?		180200	
G			180274	S	X OFF	180182	:	•		180205	
G		BELL	180185	S	'	180224		-		185229	
G		&	180242	T	TAPE	180175					

NOTE:

All Keytops are gray with white characters except as noted.

① Red Keytops with white characters

FIGURE B. KEYTOPS

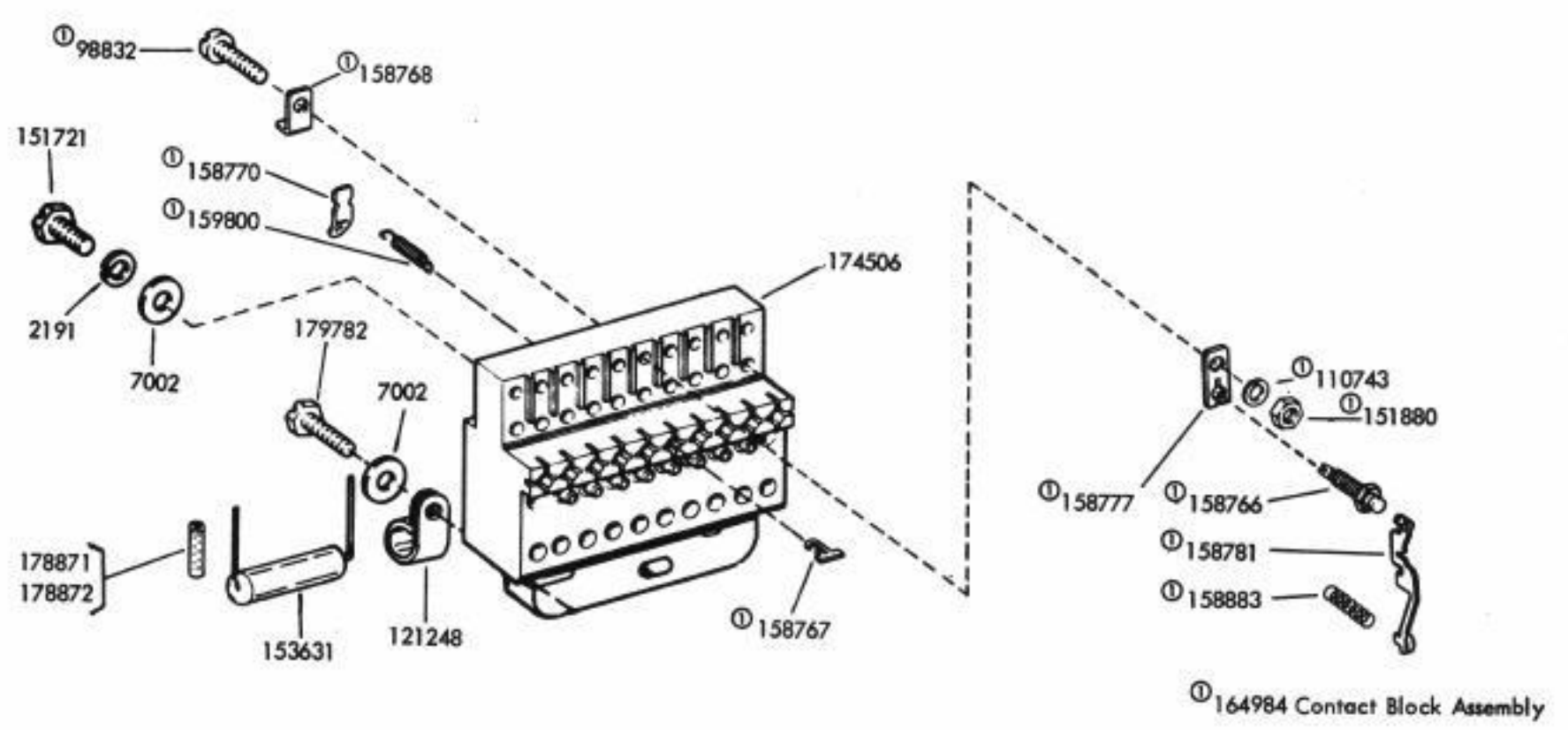
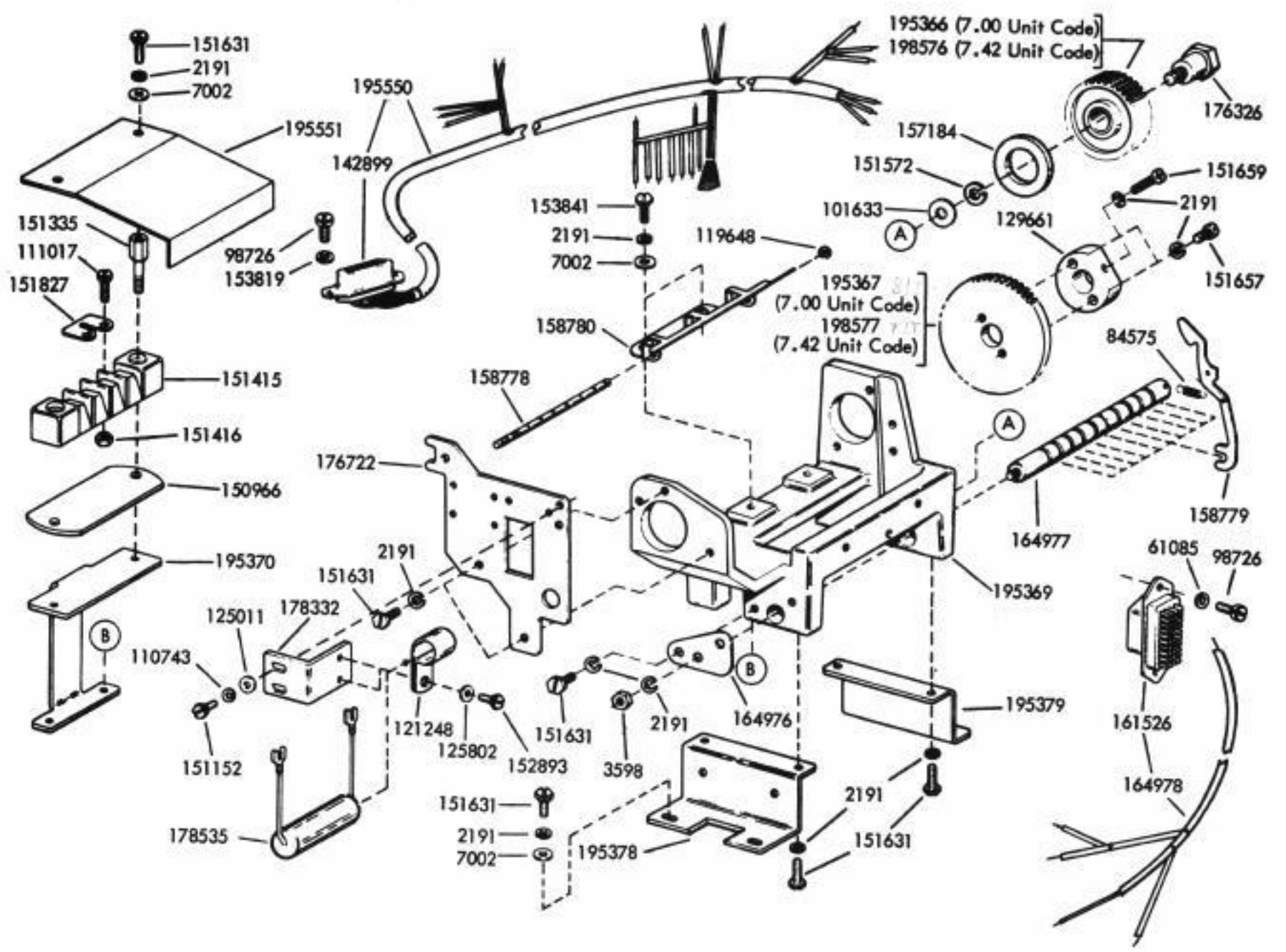


FIGURE 10. DISTRIBUTOR COMPONENTS

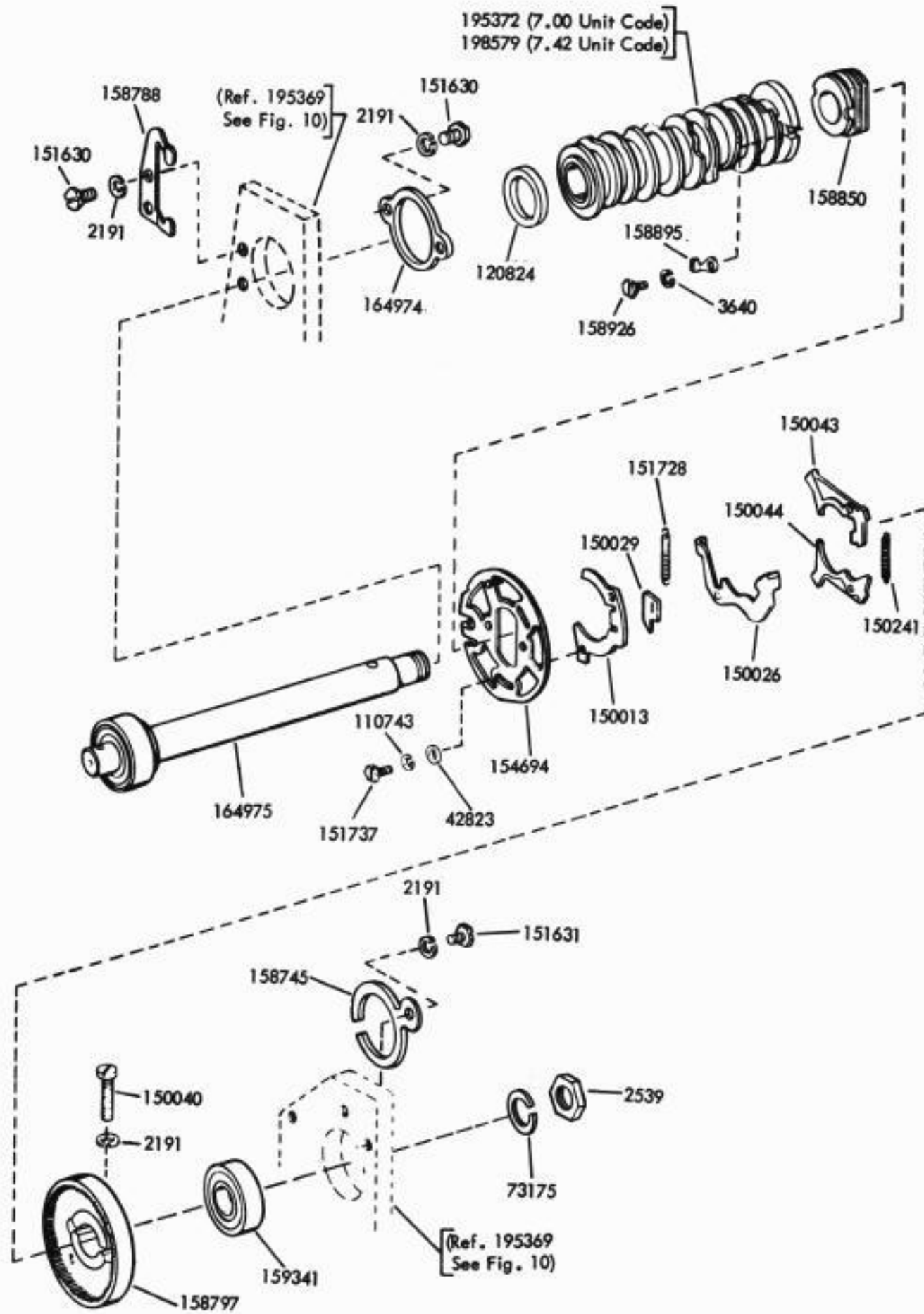


FIGURE 11. DISTRIBUTOR CLUTCH MECHANISM

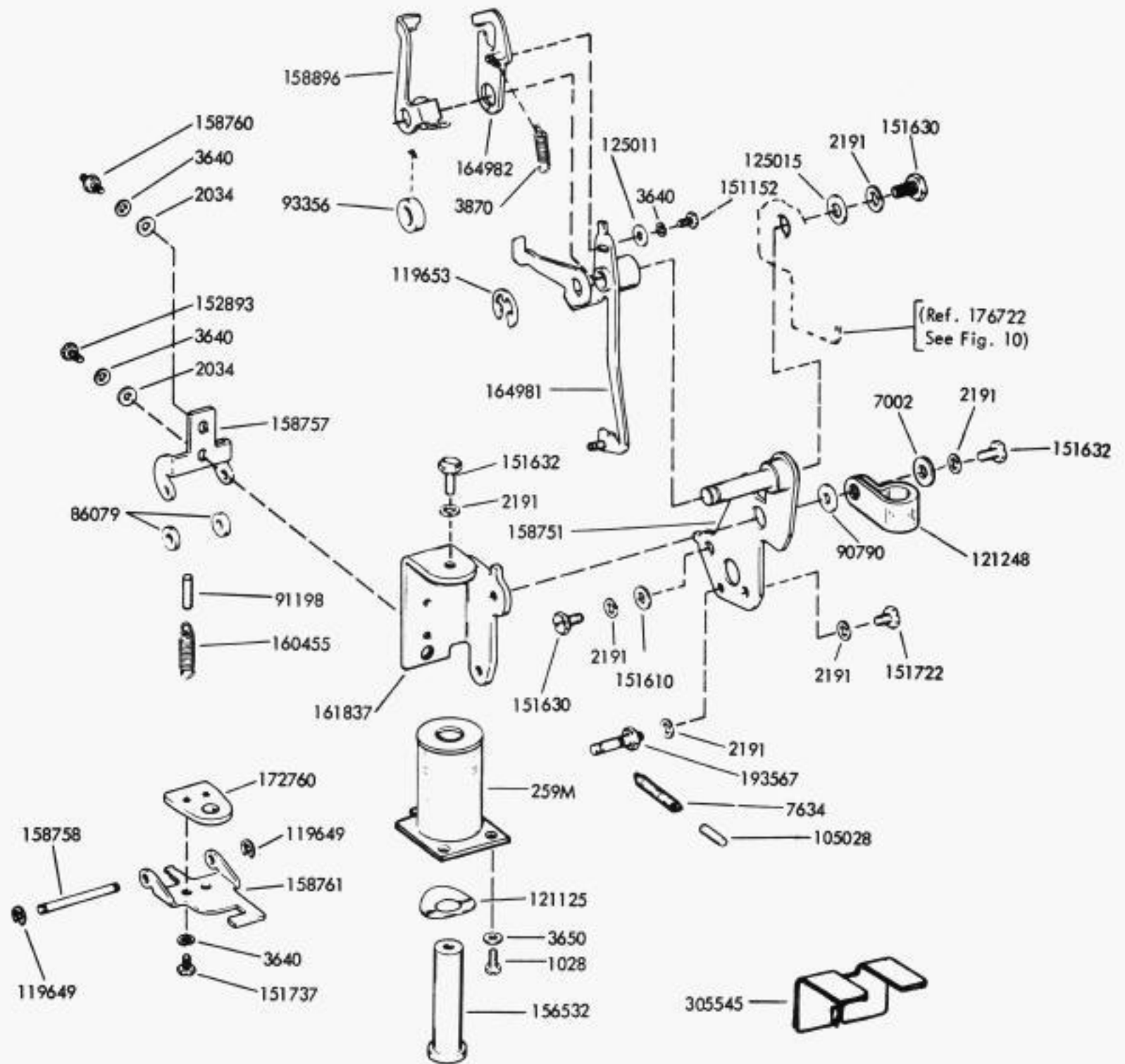


FIGURE 12. DISTRIBUTOR CLUTCH TRIP MECHANISM

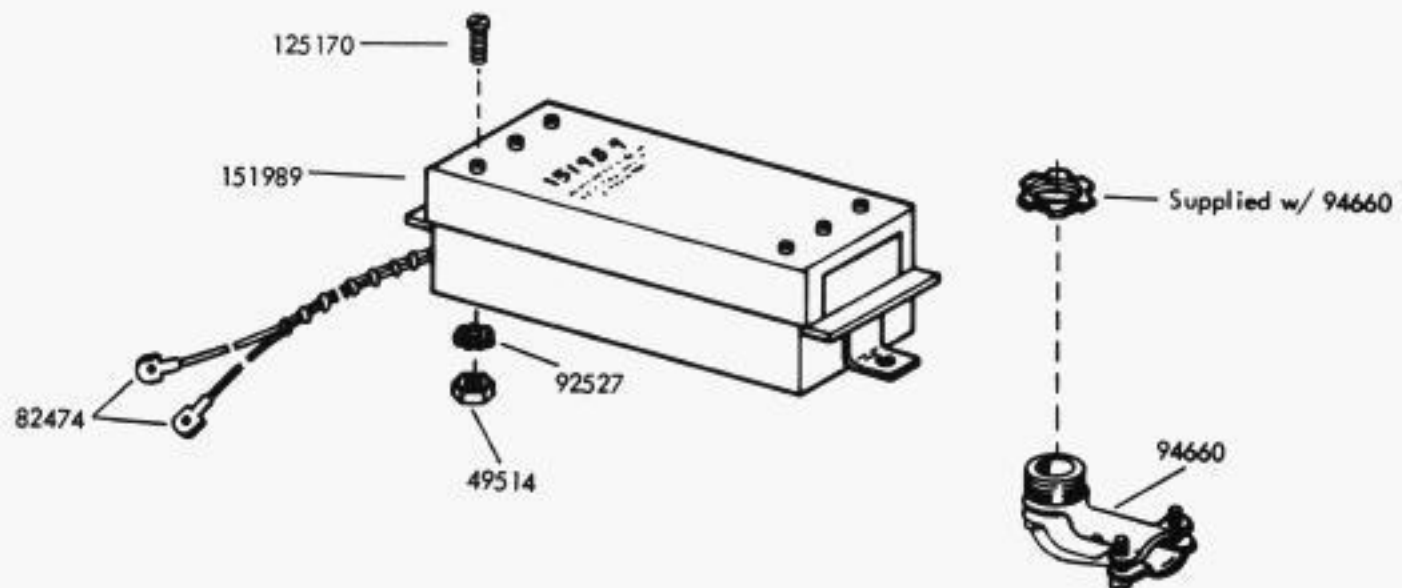


FIGURE 13. 151988 MODIFICATION KIT TO ADD POWER LINE ELECTRICAL NOISE SUPPRESSOR

NUMERICAL INDEX

Part Number	Description and Page Number	Part Number	Description and Page Number	Part Number	Description and Page Number
259M	Coil, Magnet 13	111017	Screw, 6-40 x 5/16 Fil 10, 11	151152	Screw, 4-40 x 3/16 Hex 4, 6, 11, 13
1028	Screw, 4-40 x 1/4 Fil 13	112626	Nut, 10-32 Hex 2, 3	151234	Ratchet, 27T 4
1157	Screw, 8-32 x 1/2 Fil 5	114858	Connector, 6 Pt Receptacle 3	151235	Ratchet, 28T 4
1178	Screw, 2-56 x 7/16 Fil 4	115122	Washer, Felt 4	151236	Hub 4
1210	Screw, 2-56 x 5/8 Fil 2	115358	Fuse, 1 Amp 6	151237	Spring, Flat 4
2034	Washer, Flat 13	116783	Holder, Fuse 3, 6, 8	151240	Pawl, Latch 4
2191	Washer, Lock 2, 3, 4, 6, 10, 11, 12, 13	117608	Nut, Speed 8	151241	Lever, Latching 4
2539	Nut, 3/8-32 Hex 12	118510	Fuse, 1/4 Amp 6	151245	Washer, Felt 10
2669	Washer, Lock 2, 3, 5	119648	Ring, Retaining 6, 11	151249	Keytop 9
3438	Washer, Flat 2, 3	119649	Ring, Retaining 13	151250	Keytop 9
3598	Nut, 6-40 Hex 2, 3, 10, 11	119651	Ring, Retaining 2, 3, 4	151329	Switch, Sensitive 4
3599	Nut, 4-40 Hex 2, 4	119652	Ring, Retaining 2, 3, 6, 10	151335	Stud 10, 11
3624	Washer, Flat 6	119653	Ring, Retaining 6, 7, 13	151398	Spring 6
3640	Washer, Lock 2, 3, 12, 13	119655	Ring, Retaining 10	151415	Block, Terminal 10, 11
3646	Washer, Lock 2, 3, 5	120824	Washer, Felt 12	151416	Nut, 6-40 Hex 10, 11
3650	Washer, Flat 13	121125	Washer, Spring 13	151572	Washer, Lock 11
3870	Spring 13	121243	Clamp, 3/16 ID Cable 10	151574	Grommet, Rubber 6
6970	Nut, 3/8 32 Hex 10	121248	Clamp, 1/2 ID Cable 11, 13	151610	Washer, Flat 10, 13
7002	Washer, Flat 2, 3, 4, 6, 10, 11, 13	121584	Screw, 6-40 Shoulder 6	151626	Terminal 4
7634	Spring 13	124516	Grommet, Rubber 5	151629	Nut, 6-40 Lug 6
7965	Spring 2, 3	125011	Washer, Flat 4, 11, 13	151630	Screw, 6-40 x 1/4 Hex 2, 3, 4, 10, 12, 13
8330	Washer, Flat 6	125015	Washer, Flat 13	151631	Screw, 6-40 x 5/16 Hex 10, 11, 12
8449	Spacer, .094" Thk 2, 3	125170	Screw, 8-32 x 5/16 Fil 13	151632	Screw, 6-40 x 3/8 Hex 10, 13
31636	Spring 4	125181	Screw, 2-56 x 3/8 Fil 2, 3, 6	151637	Screw, 4 40 x 1/4 Fil 2, 3
42823	Washer, Flat 12	125268	Spring 2, 3	151657	Screw, 6-40 x 1/4 Fil 11
49514	Nut, 8-32 Hex 13	125802	Washer, Flat 11	151658	Screw, 6-40 x 5/16 Fil 10
55669	Spring 2	129661	Hub 11	151659	Screw, 6-40 x 1/2 Fil 11
60669	Spring 6	129919	Fuse, 4 Amp SL-BL 3, 8	151694	Screw, 6-40 x 11/32 Fil 10
61085	Washer, Lock 11	129920	Fuse, 5 Amp SL-BL 3	151721	Screw, 6-40 x 3/4 Hex 11
70072	Washer, Lock 3	130130	Screw, 4-40 Shoulder 2, 3	151722	Screw, 6-40 x 3/16 Hex 2, 3, 13
71073	Washer, Flat 4	130499	Bearing, Ball 10	151723	Screw, 10-32 x 3/8 Hex 2, 3
73175	Washer, Lock 5, 12	136640	Post, Mounting 10	151728	Spring 12
76099	Washer, Flat 10	142379	Pin, Roll 10	151737	Screw, 4-40 x 11/64 Hex 12, 13
76474	Nut, 10-32 Hex 5	142898	Connector, 24 Pt Plug 6	151827	Strap, Terminal 10, 11
78533	Spring 4	142899	Connector, 24 Pt Receptacle 11	151879	Stud 4
78824	Spring 4	145313	Washer, Felt 10	151880	Nut, 4-40 Hex 11
80581	Spring 8	145321	Tie, Cable 6	151885	Plate, Nut 4
82474	Terminal 13	145365	Pinion 20T 10	151886	Stud 4
84575	Spring 7, 11	145366	Gear 56T 10	151988	Modification Kit 13
86079	Washer, Felt 13	145367	Shaft, Drive 10	151989	Suppressor, Electrical Noise 13
86774	Screw, 6-40 Shoulder 10	145368	Gear, 27T 10	152466	Connector, 20Pt Receptacle 2
90573	Spring 4	145370	Gear, 42T 10	152893	Screw, 4-40 x 1/4 Hex 11, 13
90790	Washer, Flat 10, 13	145372	Shaft 10	153539	Screw, 6-40 x 11/16 Hex 6
90951	Washer, Lock 4	145373	Gear, 66T 10	153577	Washer, Felt 10
91198	Wick, Felt 13	145375	Gear, 63T 10	153631	Network, Spark Suppression 11
91228	Strap, 2-1/2" Braided 2, 3	145376	Gear, 48T 10	153819	Washer, Lock 11
91230	Terminal 2, 3	145381	Washer, Thrust 10	153841	Screw, 6-40 x 9/16 Hex 11
91231	Terminal 2, 3	145383	Key 10	154084	Bearing, Needle 4
92260	Washer, Lock 3	145384	Pin, Guide 10	154208	Bracket, Switch 2
92527	Washer, Lock 13	145385	Spring, Compression 10	154694	Disk, Clutch Cam 12
93117	Washer, Lock 2, 3, 6	145386	Sleeve 10	155099	Screw, 6-40 Shoulder 3
93356	Washer, Felt 13	145389	Shaft, Idler 10	155750	Sleeve, 3/32 ID x 1/2" Lg Insulating 2
94660	Connector 13	145390	Pinion, 25T 10	155753	Sleeve, 1/8 ID x 1/2" Lg Insulating 3, 6
97394	Screw, 6-40 Shoulder 2, 3	145393	Bushing 10	155755	Sleeve, 11/64 ID x 5/8" Lg Insulating 3, 6
98601	Spacer, .312" Thk 5	148157	Knob, Gray 8	156532	Core 13
98726	Screw, 3-48 x 1/4 Fil 11	150013	Disk, Adjusting 12	157184	Washer, Felt 11
98832	Screw, 4-40 x 11/16 Fil 11	150026	Lever, Shoe Release 12	158163	Switch, Sensitive 2
99082	Screw, 8-32 x 11/16 Hex 2, 3	150029	Wick, Felt 12	158164	Lever w/Hub 2
101633	Washer, Flat 11	150040	Screw, 6-40 x 5/8 Fil 12	158250	Block, Terminal 10
101796	Washer, Felt 6	150043	Shoe, Secondary Clutch 12	158252	Insulator, Terminal 10
102057	Screw, 4-40 Shoulder 2, 3	150044	Shoe, Primary Clutch 12	158745	Clamp, Bearing 10, 12
105028	Wick, Felt 13	150241	Spring 12		
107256	Screw, 4-40 Set 2, 3	150507	Spring 6		
110435	Nut, 4-40 Hex 2, 3	150966	Insulator, Terminal 10, 11		
110743	Washer, Lock 4, 6, 11, 12	151080	Washer, Flat 2		
		151113	Strip, Mounting 2, 3		
		151146	Strap, Mounting 2, 3		

NUMERICAL INDEX (Continued)

Part Number	Description and Page Number	Part Number	Description and Page Number	Part Number	Description and Page Number
158751	Plate, Clutch Trip 13	180006	Bar, #3 Rear Code 7	192025	Washer, Flat 10
158757	Hinge, Mounting 13	180007	Bar, #3 Front Code 7	192538	Plug, Button 8
158758	Shaft 13	180008	Bar, #4 Rear Code 7	193567	Post, Spring 13
158760	Post, Spring 13	180009	Bar, #4 Front Code 7	195158	Bracket w/Bearings 10
158761	Bail, Armature 13	180010	Bar, #5 Rear Code 7	195160	Pinion, 20T 10
158766	Screw, 6-40 Contact 11	180011	Bar, #5 Front Code 7	195263	Gear 22T 10
158767	Guide, Lever 11	180028	Lever 7	195264	Gear, 49T 10
158768	Terminal 11	180029	Lever 7	195300	Plate, Mounting 2, 3
158770	Terminal, Spring Holder 11	180030	Lever, Latch 7	195301	Mount, Vibration 2, 3
158777	Holder, Screw 11	180031	Spring, Compression 6	195303	Cover, Keyboard 8
158778	Post, Spring 11	180033	Shaft 7	195304	Keylever 8
158779	Lever, Cam Follower 11	180036	Bar, Universal Code 7	195305	Terminal, Common 6
158780	Guide 11	180040	Block, Contact 6	195308	Spring 7
158781	Rocker, Contact 11	180043	Wire, Contact 6	195309	Lever, Non Repeat 7
158788	Clamp, Bearing 12	180046	Bail, Contact Reset 6	195310	Terminal, Clutch Trip 6
158797	Drum, Clutch 12	180048	Keylever 8	195311	Cable Assembly 6
158807	Screw, 3-48 x 11/64 Fil 3	180049	Keylever 8	195312	Lever, Reset 6
158850	Bearing, Sleeve 12	180050	Keylever 8	195315	Solenoid w/Plunger 6
158883	Spring, Compression 11	180054	Keylever, Space Bar 7	195317	Pin 6
158895	Clip 12	180055	Keylever, Space 7	195320	Plate, Mounting 6
158896	Lever, Latch 13	180056	Link, Space 7	195321	Bracket, Switch 6
158926	Screw, 4-40 x 7/32 Hex 12	180057	Bar, Space 7	195322	Switch 6
159287	Retainer, Pinion 10	180061	Keypop 9	195324	Cable Asm 2
159341	Bearing, Ball 10, 12	180064	Keylever, Repeat 8	195325	Pan w/Bracket 5, 6
159800	Spring 11	180069	Keylever, Line Break 8	195327	Bracket, Terminal Block 10
159805	Washer, Flat 3	180072	Keylever, Line Break 8	195329	Plate, Distributor Mounting 2
159980	Post, Spring 4	180077	Link 7	195334	Plate, Nut 2, 3
160455	Spring 13	180078	Spring, Compression 8	195335	Shaft, Gear Shift 2, 3
161136	Fuse, 6-1/4 Amp SL-BL 8	180081	Bracket, Right Keyboard 6	195336	Clamp 2, 3
161301	Post 10	180082	Bracket, Left Keyboard 6	195337	Plate, Stop 2, 3
161347	Washer, Felt 4	180083	Spring 7	195338	Link, Gear Shift 2, 3
161526	Connector, 14 Pt Receptacle 11	180088	Spring, Compression 8	195339	Bracket 2, 3
161837	Bracket 13	180094	Insulator 6	195340	Bail, LOC LF Function 2
161912	Switch, SP-ST 8	180096	Link 7	195341	Bracket, Guide 2, 3
162333	Stud, Locating 2, 3	180099	Fastener 6	195343	Bail w/Stud 2, 3
162659	Retainer 10	180100	Guide 7	195344	Bail w/Stud 2
163327	Ring, Retaining 7	180101	Wire, Contact 6	195345	Link, LOC LF Function 2, 3
164974	Plate, Retaining 12	180160	thru	195346	Link, LOC CR Function 2, 3
164975	Shaft w/Bearing 12	180203	Keypop 9	195347	Guide, Function Link 2, 3
164976	Plate 11	180205	thru	195348	Bracket, LOC CR 2, 3
164977	Shaft, Lever 11	180208	Keypop 9	195349	Knob, Speed Selector 2, 3
164978	Cable Asm 11	180210	Keypop 9	195350	Bracket, Connector 2
164981	Lever, Trip 13	180211	Keypop 9	195360	Gear, 60T 10
164982	Lever, Trip 13	180213	thru	195361	Gear, 27T 10
164984	Block Asm 11	180250	Keypop 9	195362	Gear, 40T 10
165082	Clamp, Cable 10	180257	Keypop 9	195363	Gear, 27T 10
165083	Keeper, Clamp 10	180273	thru	195364	Shaft, Drive 10
172760	Armature 13	180277	Keypop 9	195365	Gear, 25T 10
172961	Screw, 6-40 Stop 3	180299	Keypop 9	195366	Gear, 50T 11
174506	Block, Contact 11	180342	Keypop 9	195367	Gear, 81T 11
174570	Switch 3	180343	Keypop 9	195369	Casting 11, 12
174588	Actuator, Switch 3	180389	Keypop 9	195370	Bracket, Terminal Strap 11
176326	Screw, 10-32 Shoulder 11	180390	Keypop 9	195372	Camsleeve 12
176722	Plate, Mounting 11, 13	181241	Screw w/Lockwasher, 6-40 x 1/4 6	195378	Bracket, Left Mounting 11
178332	Bracket 11	181253	Keypop 9	195379	Bracket, Right Mounting 11
178535	Network, Spark Suppression 11	181310	Lever 7	195550	Cable Asm 11
178707	Bumper, Rubber 6	182285	Bumper, Rubber 5	195551	Insulator 11
178871	Sleeve, 7/16 ID x 1-1/8" Lg Insulating 11	183951	Spring, Contact 6	195552	Cable Asm 2
178872	Sleeve, 1/16 ID x 1-1/4" Lg Insulating 11	185229	thru	195553	Stop Asm, Motor 4
179782	Screw, 6-40 x 7/8 Hex 11	185241	Keypop 9	195554	Cable Asm 4
180000	Frame, Keyboard 6, 7	185798	Spring 7	195555	Bracket 4
180002	Bar, #1 Rear Code 7			195556	Pawl, Contact 4
180003	Bar, #1 Front Code 7			195557	Stop 4
180004	Bar, #2 Rear Code 7			195558	Lever w/Bushing 4
180005	Bar, #2 Front Code 7			195562	Lever, Pawl 4
				198566	Switch, Rocker Type 3
				198571	Lever, Slide 3

NUMERICAL INDEX (Continued)

Part Number	Description and Page Number	Part Number	Description and Page Number	Part Number	Description and Page Number
198572	Bail, LOC LF Function 3	198582	Bail w/Stud 3	304669	Pinion, 21T 10
198574	Bracket, Fuse Holder 3	198583	Bracket, Switch 3	305051	Stud 5
198576	Gear, 40T 11	198679	Bracket, Bolt Retaining 2, 3	305545	Insulator 13
198577	Gear, 72T 11	198680	Screw, 10-32 Spl 2, 3	305706	Shaft w/Link 6
198579	Camsleeve 12	199248	Cable Asm 3	305707	Arm, Reset 6
198580	Gear, 21T 10	304668	Gear, 49T 10	305708	Bracket, Solenoid 6
198581	Pan w/Bracket 3, 5				