

BULLETIN NO. 1139
ISSUE 1
NOVEMBER, 1948

TELETYPE

PRINTING TELEGRAPH SYSTEMS

M36

PARTS
MONOPULSE PRINTER
KEYBOARD (HK1) & TYPING UNIT (HP1)



BULLETIN NO. 1139
ISSUE 1
NOVEMBER, 1948

TELETYPE

PRINTING TELEGRAPH SYSTEMS

MOD. 36

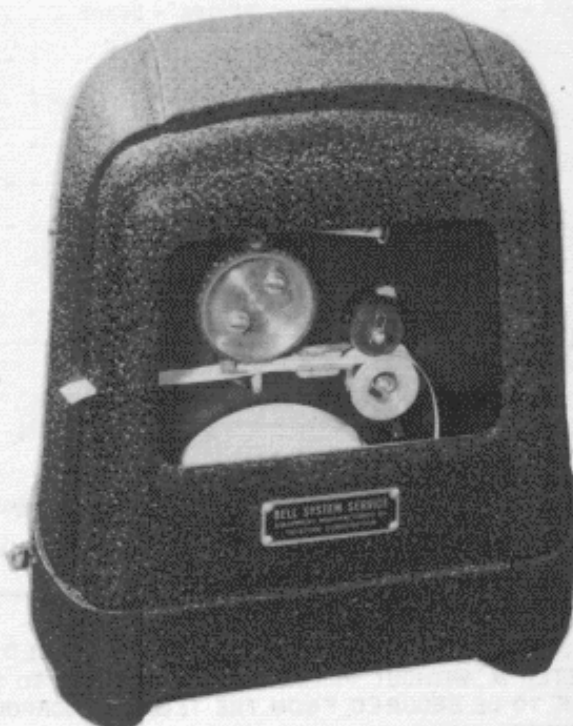
PARTS
MONOPULSE PRINTER
KEYBOARD (HK1) & TYPING UNIT (HP1)



ATTENTION - BELL SYSTEM ONLY
WHEN ORDERING PARTS FROM THIS BULLETIN, EACH NUMBER SHOULD BE FOLLOWED BY THE LETTER M, WITHOUT PARENTHESES, IN ORDER TO IDENTIFY THE ITEM AS ONE TO BE SECURED FROM THE TELETYPE CORPORATION.



MONOPULSE KEYBOARD (HK1)
SEE PAGES 1 TO 4 FOR PARTS



MONOPULSE TYPING UNIT (HP1)
SEE PAGES 5 TO 7 FOR PARTS

ALPHABETICAL INDEX

		<u>KEYBOARD</u>	
DESCRIPTION	PAGE NO.	DESCRIPTION	PAGE NO.
Base Plate - - - - -	1	Line Cord - - - - -	4
Cable Clamp - - - - -	1	Main Casting - - - - -	3
Condenser - - - - -	1	Motor - - - - -	4
Contact Pileup - - - - -	2	Pinion - Motor - - - - -	4
Cover - - - - -	2	Power Cord - - - - -	4
Foot - - - - -	1	Selector Ring - - - - -	3
Frame - - - - -	2	Shaft - Transmitting - - - - -	3
Gears - - - - -	3	Space Bar - - - - -	2
Keylevers - - - - -	2	Terminal Block - - - - -	3
Keytops - - - - -	2	Transmitting Mechanism - - - - -	3

TYPING UNIT

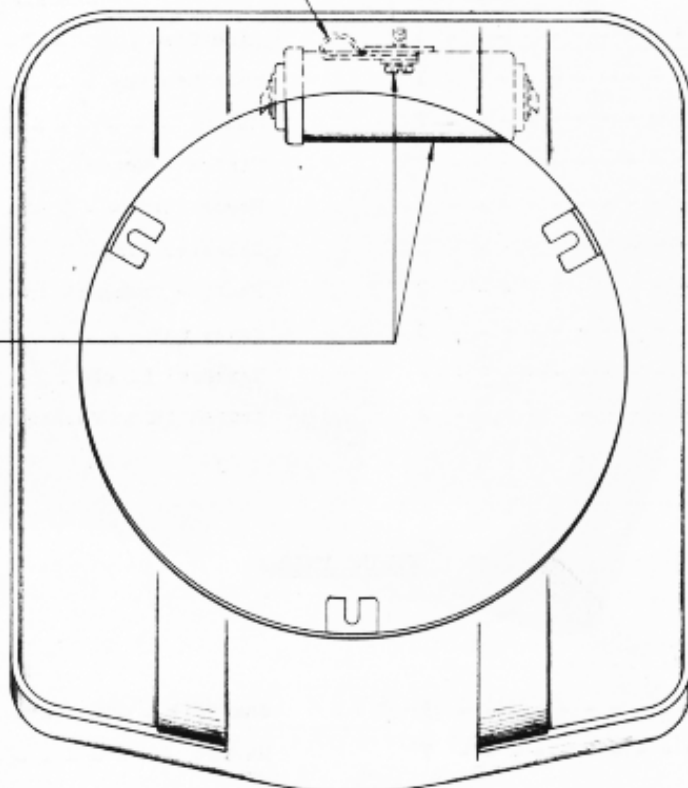
Base Plate - - - - -	5	Ink Roll - - - - -	7
Cable - - - - -	7	Magnet - - - - -	6
Condenser - - - - -	6	Main Plate - - - - -	6
Cover - - - - -	5	Motor - - - - -	4
Feed Roll - - - - -	6	Pinion - Motor - - - - -	4
Foot - - - - -	5	Print Hammer - - - - -	6
Friction Disc - - - - -	6	Tape Chute - - - - -	6
Front Plate - - - - -	7	Terminal Blocks - - - - -	5
Gears - - - - -	6	Toggle Switch - - - - -	5
Glass - - - - -	5	Type Wheel - - - - -	6

ADJUSTING TOOLS AND ACCESSORIES

Adjusting Stand - - - - -	8	Set of Control Relay Parts - - - - -	8
Resistor and Mounting Parts - - - - -	8	Timing Gauge (Assembly) - - - - -	8

93807 CABLE CLAMP

99244 CONDENSER - 1. MF
6746 SCREW
2191 LOCK WASHER
76099 WASHER



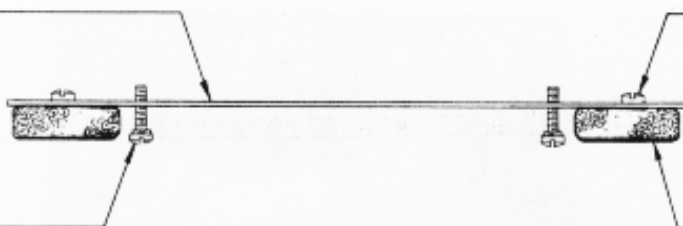
101300 SHELL
(BLACK WRINKLE)

KEYBOARD SHELL AND CONDENSER
(TOP VIEW)

101364 BASE PLATE

1298 SCREW

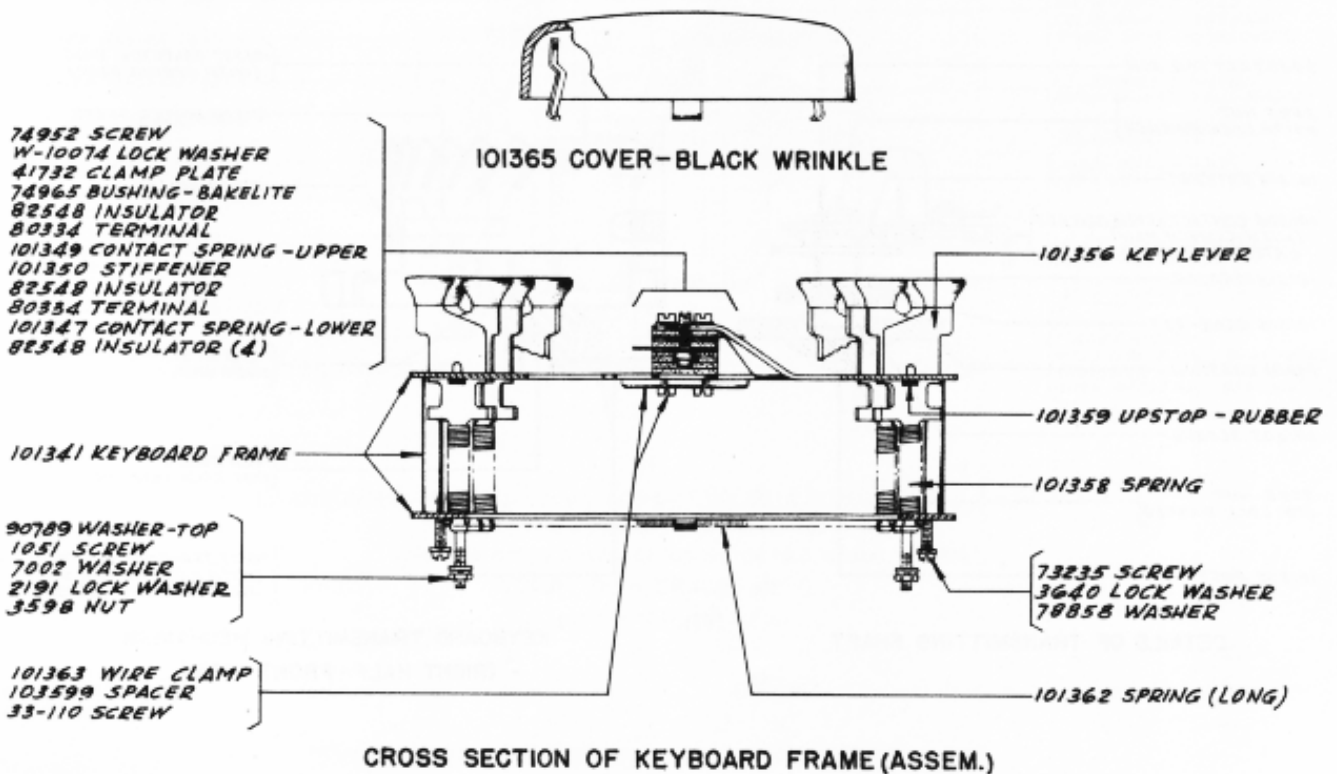
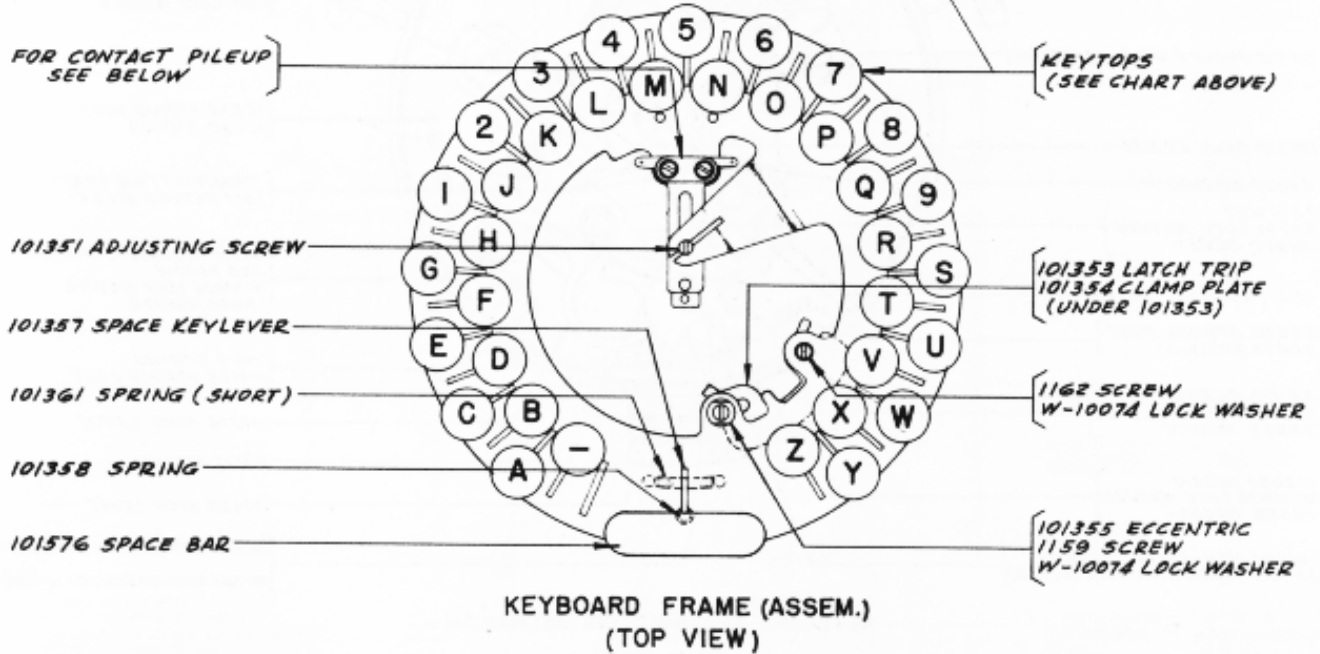
1160 SCREW
2191 LOCK WASHER

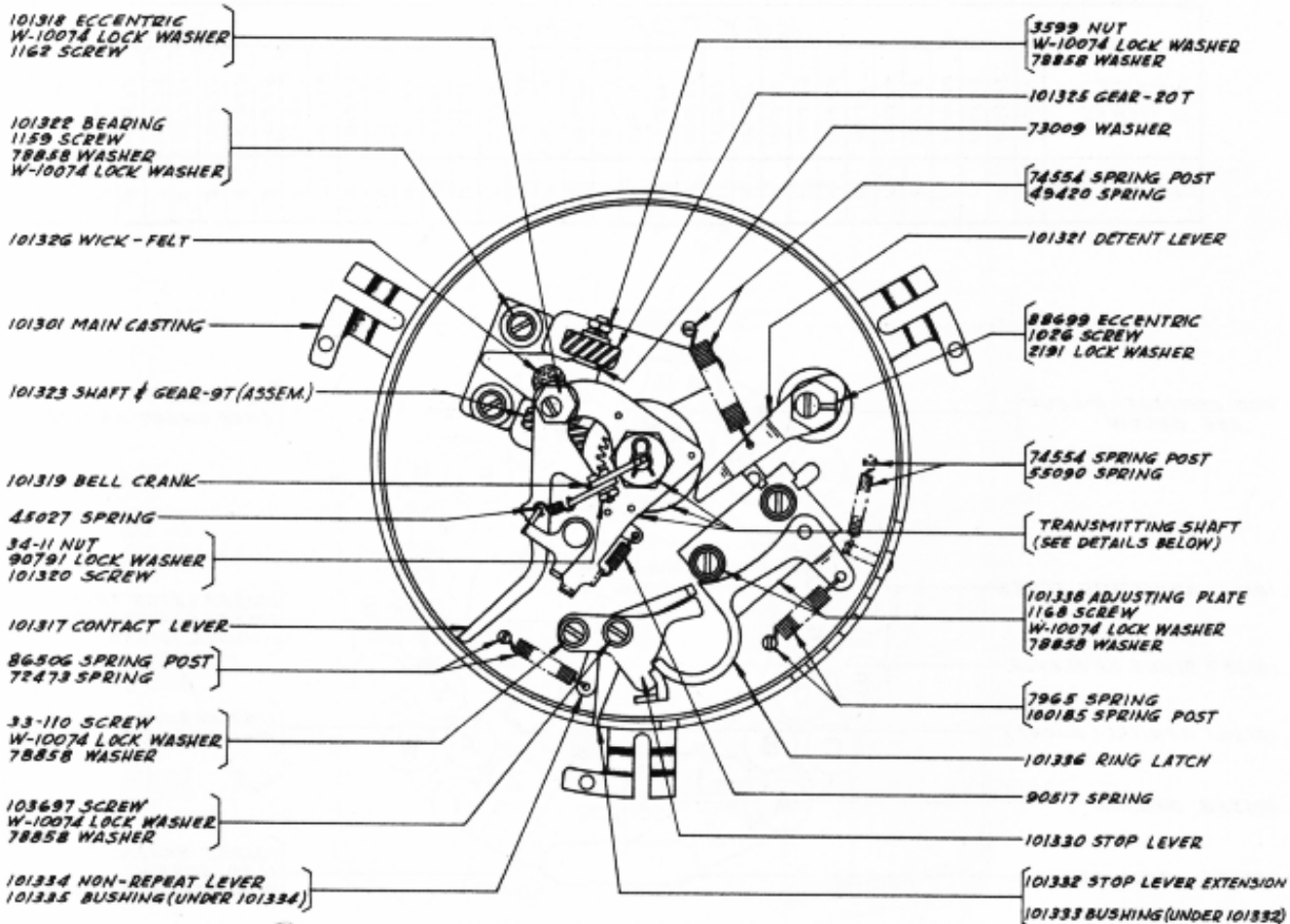


99381 FOOT - LEATHER

KEYBOARD BASE PLATE
(FRONT VIEW)

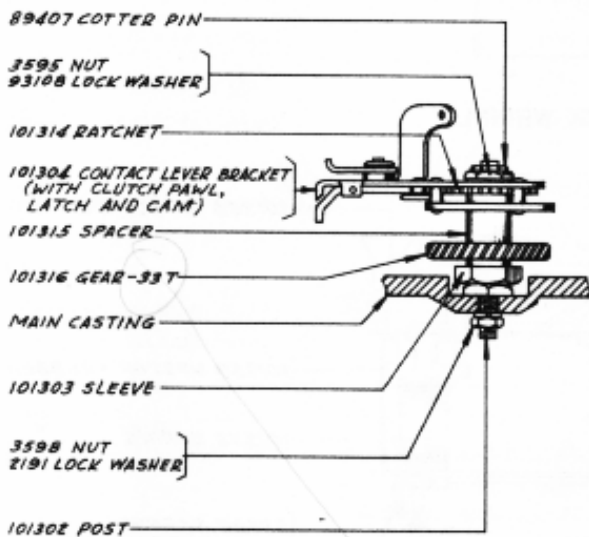
KEYTOP CHART	
PART NUMBER	
A	101541
B	101542
C	101543
D	101544
E	101545
F	101546
G	101547
H	101548
I	101549
J	101550
K	101551
L	101552
M	101553
N	101554
O	101555
P	101556
Q	101557
R	101558
S	101559
T	101560
U	101561
V	101562
W	101563
X	101564
Y	101565
Z	101566
1	101567
2	101568
3	101569
4	101570
5	101571
6	101572
7	101573
8	101574
9	101575
10	101576



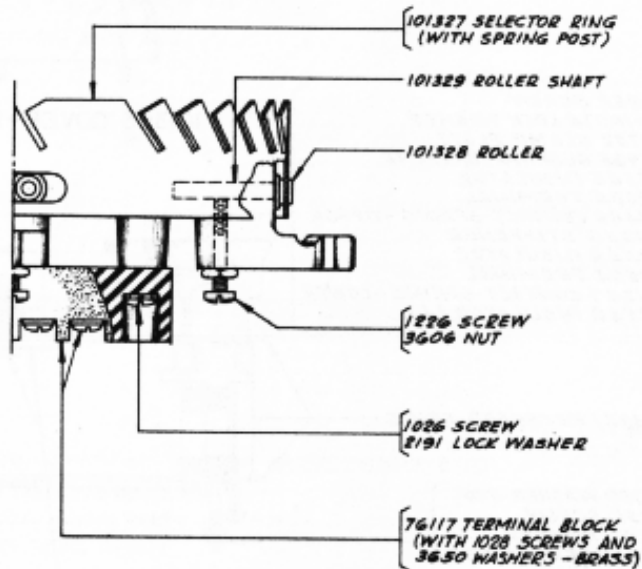


KEYBOARD TRANSMITTING MECHANISM
(TOP VIEW)

122.7 RPM?

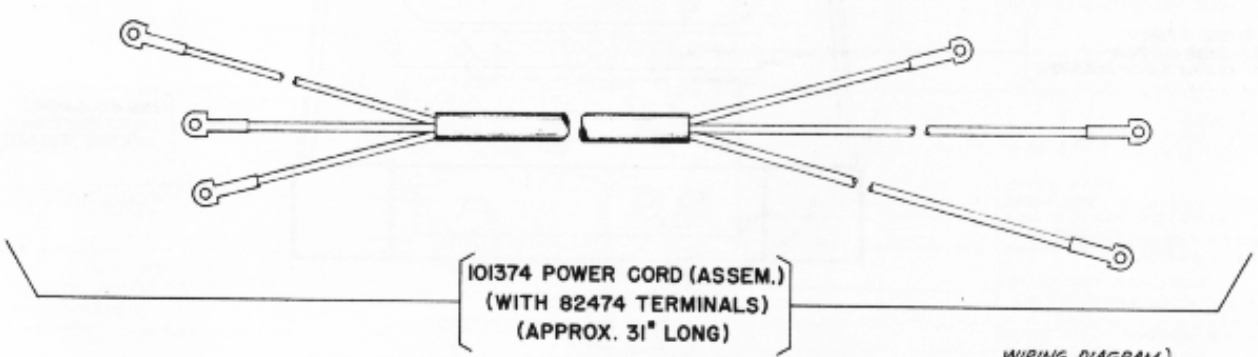
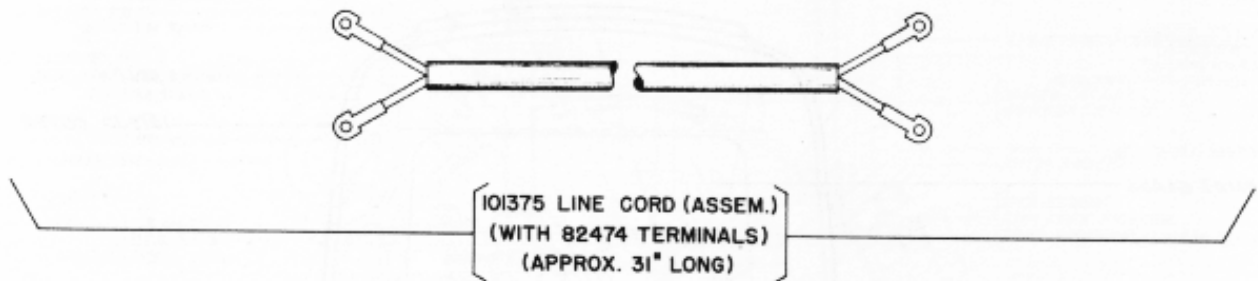


DETAILS OF TRANSMITTING SHAFT

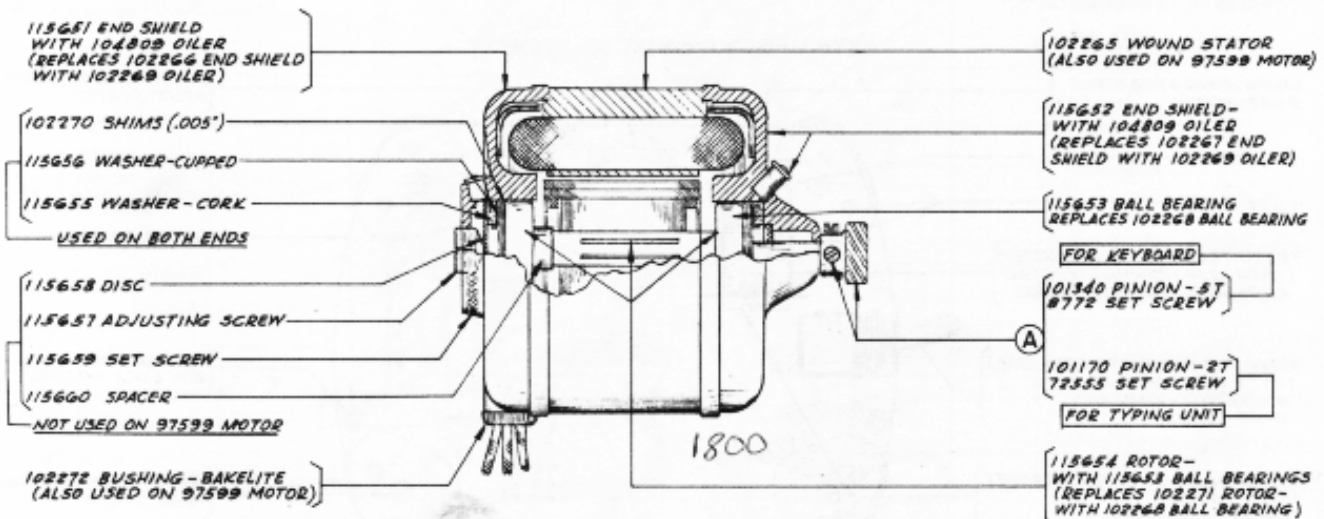


KEYBOARD TRANSMITTING MECHANISM
(RIGHT HALF-FRONT VIEW)

32?
126.5 RPM?



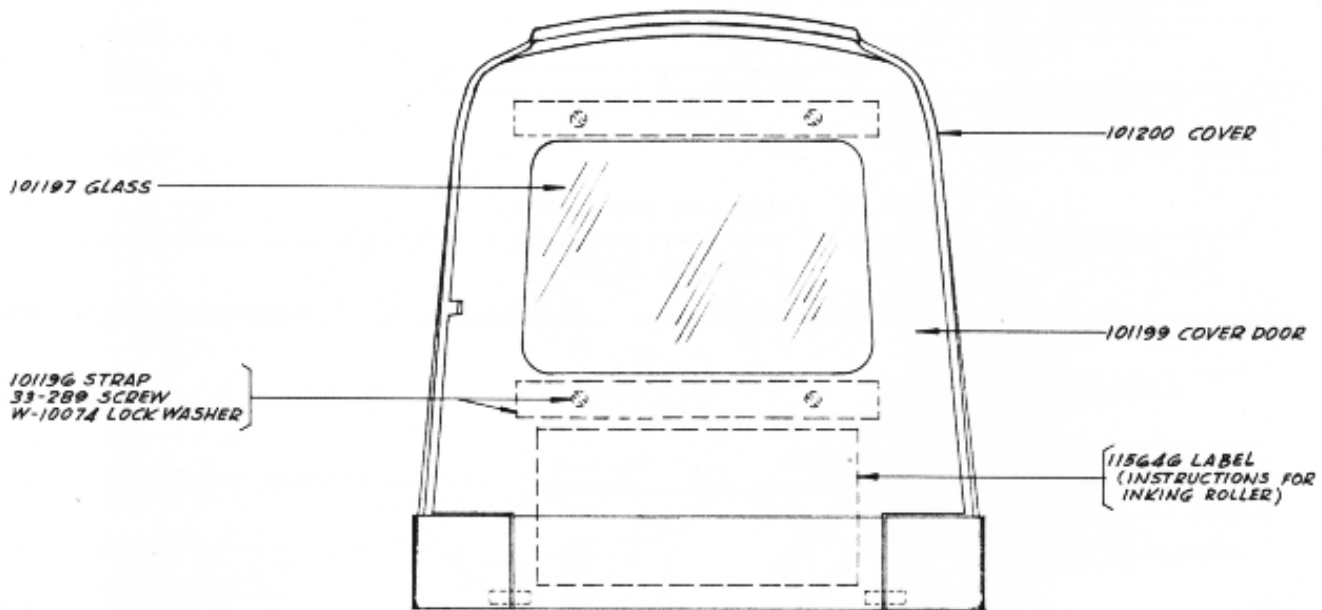
WIRING DIAGRAM } H.D.-2018
FOR KEYBOARD



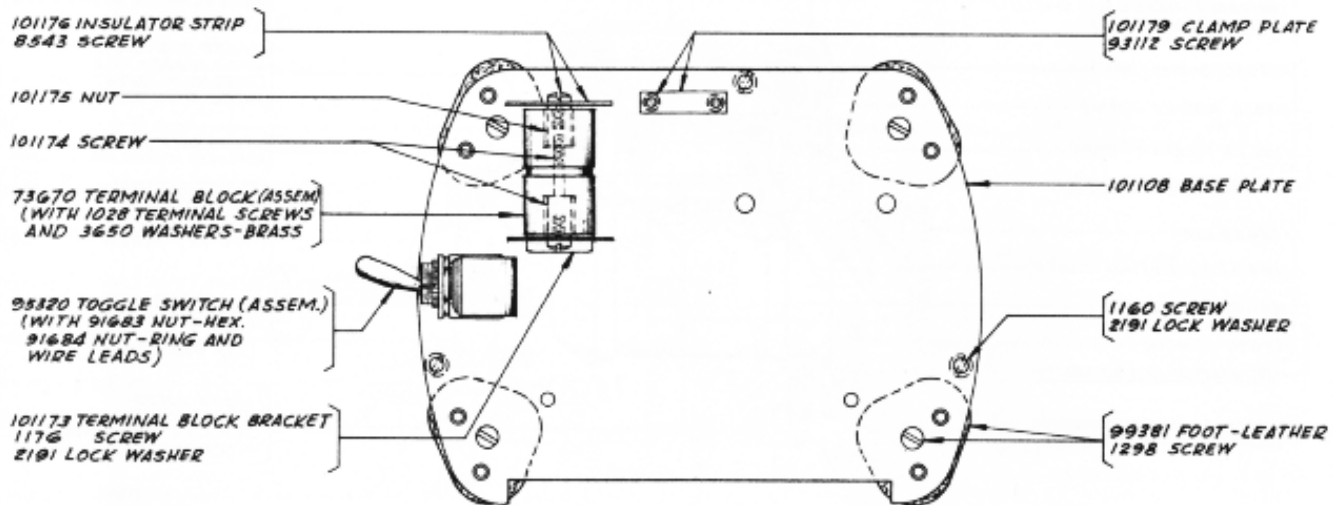
113915 SYNCHRONOUS MOTOR, 115 V., 50-60 CYCLES A.C. (H.C. MODEL, S-9064)
(USED ON KEYBOARD AND TYPING UNIT)
REPLACES 97599 SYNCHRONOUS MOTOR (H.C. MODEL, S-9033)

A NOT INCLUDED WITH MOTOR

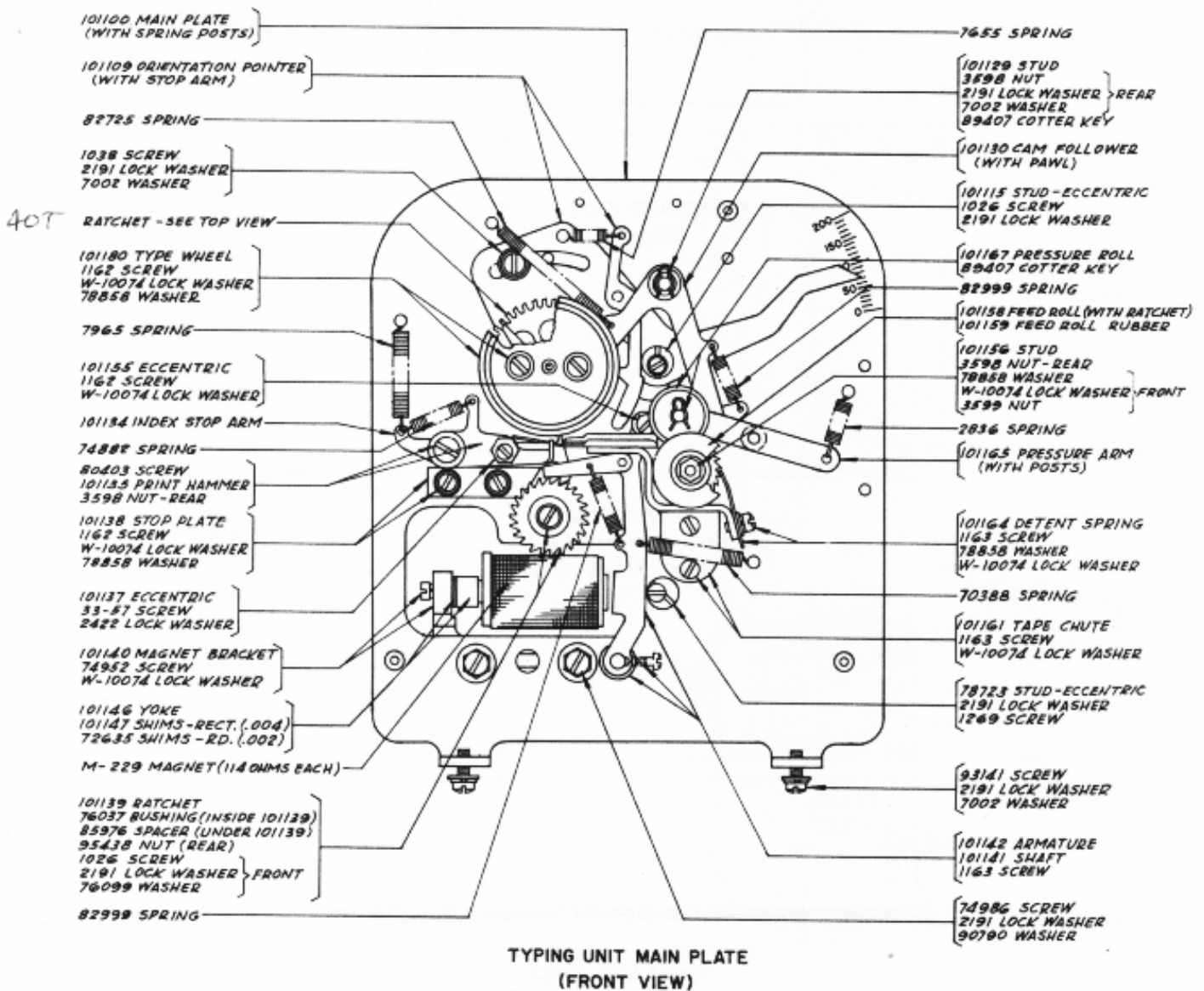
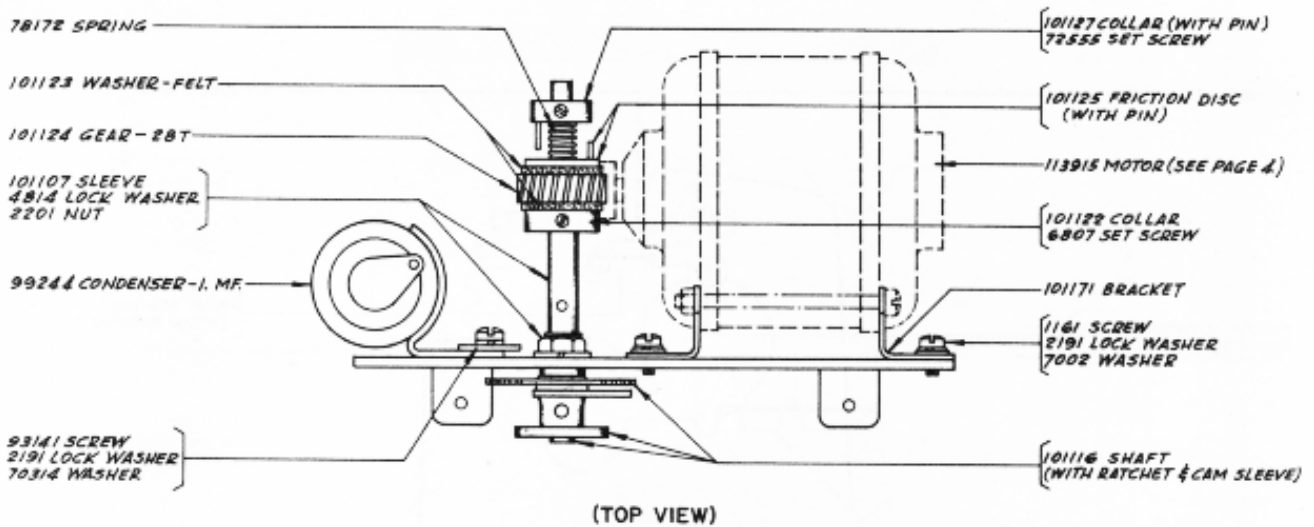
For HK need $\frac{15}{35}$ - c-c $\frac{7}{8}$ "



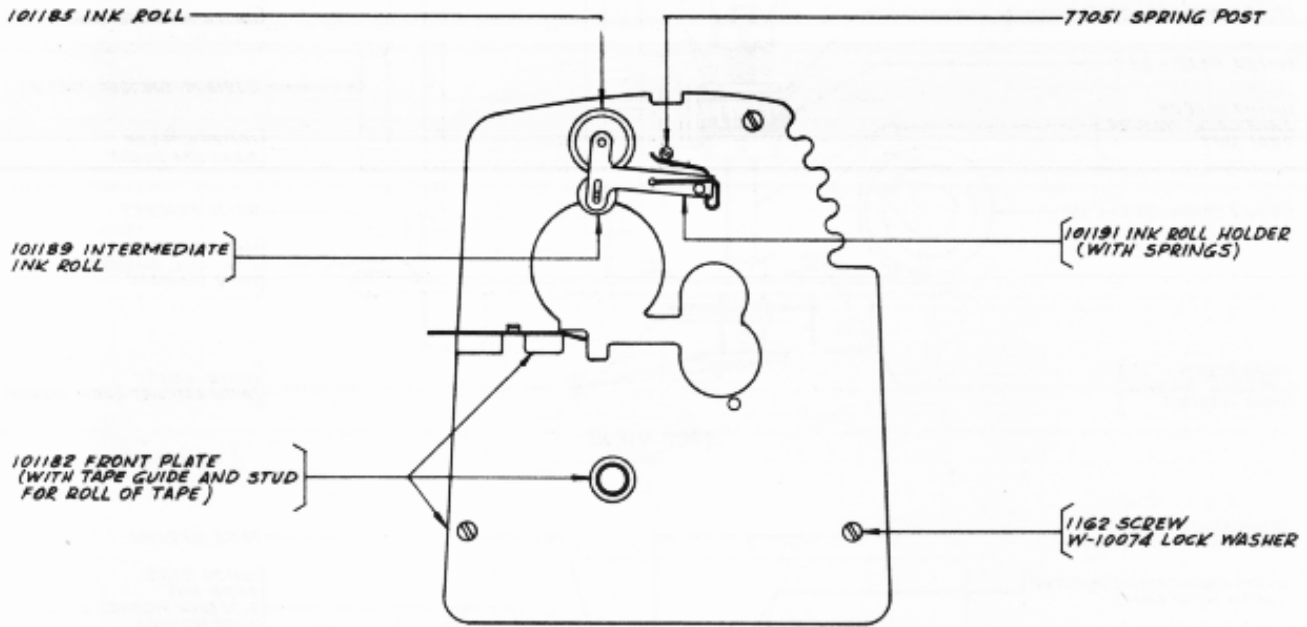
TYPING UNIT COVER (ASSEM.)-BLACK WRINKLE
(FRONT VIEW)



TYPING UNIT BASE PLATE
(TOP VIEW)



$S_e l = 128.57 \text{ RPM}$
 11.66 msec/e



TYPING UNIT FRONT PLATE
(FRONT VIEW)



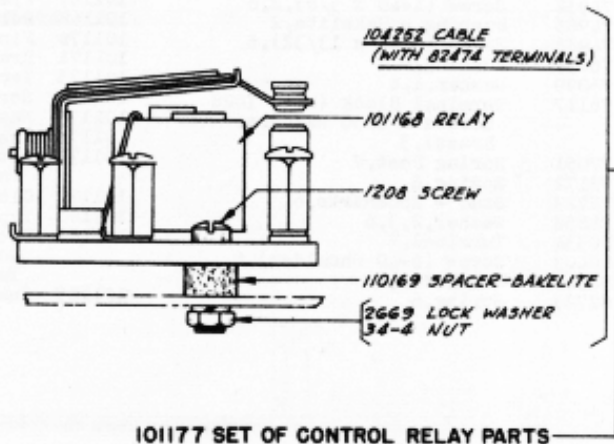
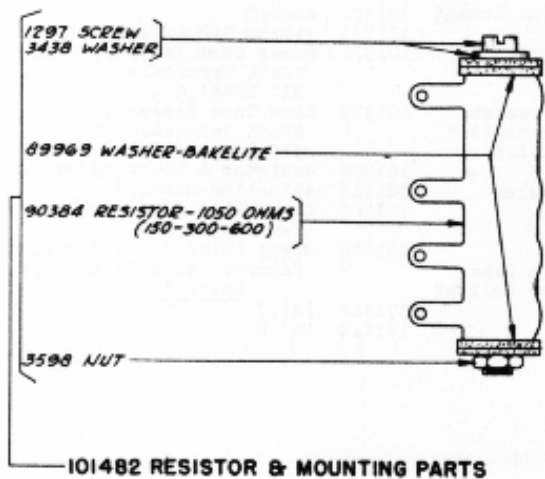
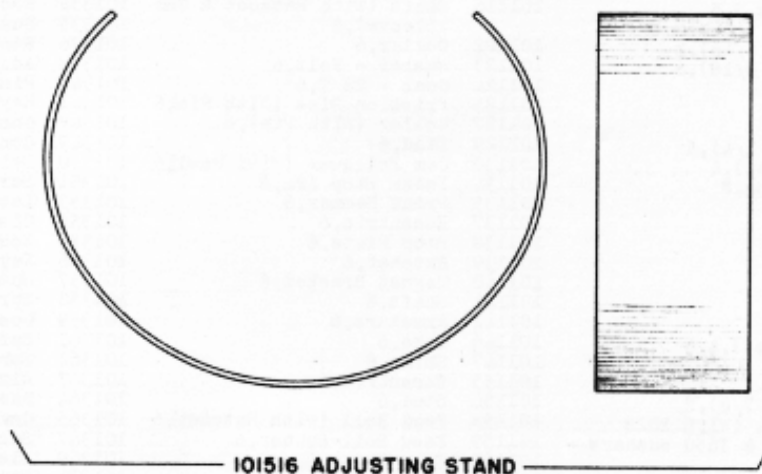
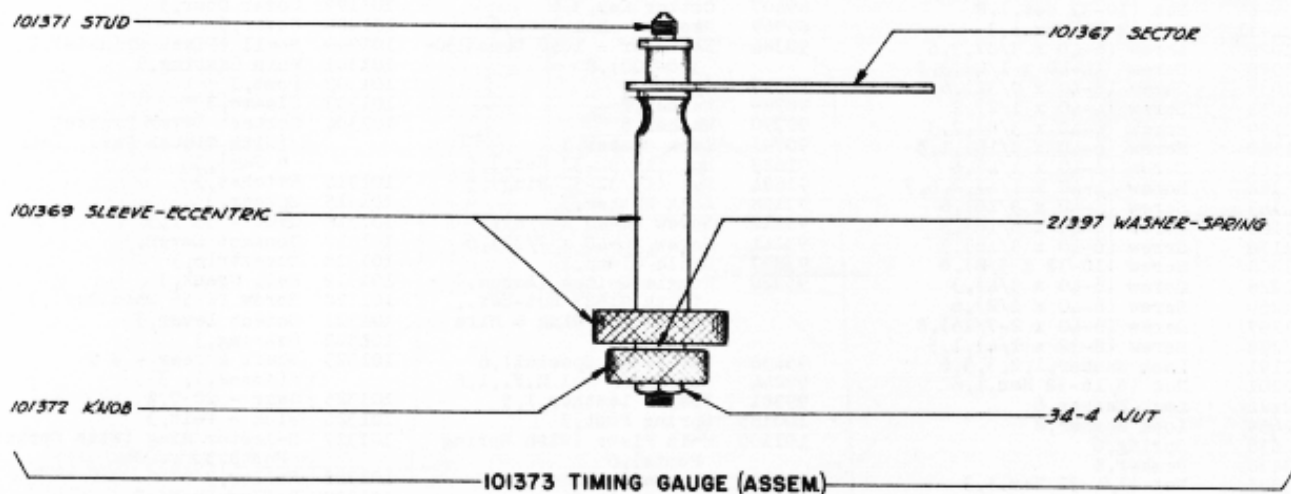
101526 STRAP
(WITH 82474 TERMINAL)
(APPROX. 12½" LONG)



101525 LINE CABLE
(WITH 82474 TERMINALS)

WIRING DIAGRAM } W.D. 2017
FOR TYPING UNIT }

ADJUSTING TOOLS & ACCESSORIES



NUMERICAL INDEX

M-229	Magnet (114 Ohms),6	82999	Spring,6	101189	Intermediate Ink Roll,7
W-10074	Lock Washer,2,3,5,6,7	82474	Terminal,4,7,8	101191	Ink Roll Holder (With Springs),7
33-57	Screw (2-56 x 9/32),6	85976	Spacer,6	101196	Strap,5
33-110	Screw (4-40 x 3/16),2,3	86506	Spring Post,3	101197	Glass,5
33-289	Screw (4-40 x 3/16),5	88699	Eccentric,3	101199	Cover Door,5
34-4	Nut (10-32 Hex.),8	89407	Cotter Key,3,6	101200	Cover,5
34-11	Nut (2-56 Hex.),3	89969	Washer - Bakelite,8	101300	Shell (Black Wrinkle),1
1026	Screw (6-40 x 3/8),3,6	90384	Resistor - 1050 Ohms (150-300-600),8	101301	Main Casting,3
1028	Screw (4-40 x 1/4),3,5	90517	Spring,3	101302	Post,3
1038	Screw (6-40 x 9/32),6	90789	Washer,2	101303	Sleeve,3
1051	Screw (4-40 x 1/2),2	90790	Washer,6	101304	Contact Lever Bracket (With Clutch Pawl, Latch & Cam),3
1159	Screw (4-40 x 3/8),2,3	90791	Lock Washer,3	101314	Ratchet,3
1160	Screw (6-40 x 5/16),1,5	91683	Nut (15/32-32 Hex.),5	101315	Spacer,3
1161	Screw (6-40 x 1/4),6	91684	Nut (15/32-32 Ring),5	101316	Gear - 33 T,3
1162	Screw (4-40 x 1/4),2,6,7	93108	Lock Washer,3	101317	Contact Lever,3
1163	Screw (4-40 x 3/16),6	93112	Screw (4-40 x 7/8),5	101318	Eccentric,3
1168	Screw (4-40 x 5/16),3	93141	Screw (6-40 x 7/32),6	101319	Bell Crank,3
1176	Screw (6-40 x 3/16),5	93807	Cable Clamp,1	101320	Screw (2-56 Shoulder),3
1208	Screw (10-32 x 5/8),8	95320	Toggle Switch (Assem.) (With 91683 Nut-Hex., 91684 Nut-Ring & Wire Leads),5	101321	Detent Lever,3
1226	Screw (6-40 x 3/4),3	95438	Nut (6-40 Special),6	101322	Bearing,3
1269	Screw (6-40 x 1/2),6	99244	Condenser - 1 M.F.,1,6	101323	Shaft & Gear - 9 T (Assem.),3
1297	Screw (6-40 x 2-7/16),8	99381	Foot - Leather,1,5	101325	Gear - 20 T,3
1298	Screw (8-32 x 1/4),1,5	100185	Spring Post,3	101326	Wick - Felt,3
2191	Lock Washer,1,2,3,5,6	101100	Main Plate (With Spring Posts),6	101327	Selector Ring (With Spring Post),3
2201	Nut (5/16-32 Hex.),6	101107	Sleeve,6	101328	Roller,3
2422	Lock Washer,6	101108	Base Plate,5	101329	Roller Shaft,3
2669	Lock Washer,8	101109	Orientation Pointer (With Stop Arm),6	101330	Stop Lever,3
2836	Spring,6	101115	Stud - Eccentric,6	101332	Stop Lever Extension,3
3438	Washer,8	101116	Shaft (With Ratchet & Cam Sleeve),6	101333	Bushing,3
3595	Nut (1/4-32 Hex.),3	101122	Collar,6	101334	Non-Repeat Lever,3
3598	Nut (6-40 Hex.),2,3,6,8	101123	Washer - Felt,6	101335	Bushing,3
3599	Nut (4-40 Hex.),3,6	101124	Gear - 28 T,6	101336	Ring Latch,3
3606	Nut (6-40 Hex.),3	101125	Friction Disc (With Pin),6	101338	Adjusting Plate,3
3640	Lock Washer,2	101127	Collar (With Pin),6	101340	Pinion - 5 T,4
3650	Washer - Brass,3,5	101129	Stud,6	101341	Keyboard Frame,2
4814	Lock Washer,6	101130	Cam Follower (With Pawl),6	101347	Contact Spring - Lower,2
6746	Screw (6-40 x 5/16),1	101134	Index Stop Arm,6	101349	Contact Spring - Upper,2
6807	Screw (6-40 x 3/16),6	101135	Print Hammer,6	101350	Stiffener,2
7002	Washer,2,6	101137	Eccentric,6	101351	Screw (6-40 Special),2
7655	Spring,6	101138	Stop Plate,6	101353	Latch Trip,2
7965	Spring,3,6	101139	Ratchet,6	101354	Clamp Plate,2
8543	Screw (6-40 x 1/4),5	101140	Magnet Bracket,6	101355	Eccentric,2
8772	Screw (6-40 Set),4	101141	Shaft,6	101356	Keylever,2
21397	Washer - Spring,8	101142	Armature,6	101357	Space Keylever,2
41732	Clamp Plate,2	101146	Yoke,6	101358	Spring,2
45027	Spring,3	101147	Shims,6	101359	Upstop - Rubber,2
49420	Spring,3	101155	Eccentric,6	101361	Spring (Short),2
55090	Spring,3	101156	Stud,6	101362	Spring (Long),2
70314	Washer,6	101158	Feed Roll (With Ratchet),6	101363	Wire Clamp,2
70388	Spring,6	101159	Feed Roll-Rubber,6	101364	Base Plate,1
72473	Spring,3	101161	Tape Chute,6	101365	Cover - Black Wrinkle,2
72555	Screw (6-40 Set),4,6	101164	Detent Spring,6	101367	Sector,8
72635	Shims,6	101165	Pressure Arm (With Posts),6	101369	Sleeve - Eccentric,8
73009	Washer,3	101167	Pressure Roll,6	101371	Stud,8
73235	Screw (6-40 x 7/8),2	101168	Relay,8	101372	Knob,8
73670	Terminal Block (With 1028 Term. Screws & 3650 Washers - Brass),5	101170	Pinion - 2 T,4	101373	Timing Gauge (Assem.),8
74554	Spring Post,3	101171	Bracket,6	101374	Power Cord (Assem.) (With 82474 Terminals) (Approx. 31" Long),4
74882	Spring,6	101173	Terminal Block Bracket,5	101375	Line Cord (Assem.) (With 82474 Terminals) (Approx. 31" Long),4
74952	Screw (4-40 x 5/8),2,6	101174	Screw (6-40 Special),5	101482	Resistor & Mounting Parts,8
74965	Bushing - Bakelite,2	101175	Nut (6-40 Special),5	101516	Adjusting Stand,8
74986	Screw (6-40 x 13/32),6	101176	Insulator Strip,5	101525	Line Cable (With 82474 Terminals),7
76037	Bushing,6	101177	Set of Control Relay Parts,8	101526	Strap (With 82474 Terminal) (Approx. 12-1/2" Long),7
76099	Washer,1,6	101179	Clamp Plate,5	101541	(A),2
76117	Terminal Block (With 1028 Screws & 3650 Washers - Brass),3	101180	Type Wheel,6	101542	(B),2
77051	Spring Post,7	101182	Front Plate (With Tape Guide & Stud For Roll of Tape),7		
78172	Spring,6	101185	Ink Roll,7		
78723	Stud - Eccentric,6				
78858	Washer,2,3,6				
80334	Terminal,2				
80403	Screw (6-40 Shoulder),6				
82548	Insulator,2				
82725	Spring,6				

NUMERICAL INDEX

	<u>Keytops</u>				
101543	(C),2	101563	(W),2	110169	Spacer - Bakelite,8
101544	(D),2	101564	(X),2	113915	Synchronous Motor, 115 W, 50-60 Cycles A.C. (H.C. Model, S-9064),4,6
101545	(E),2	101565	(Y),2	115646	Label,5
101546	(F),2	101566	(Z),2	115651	End Shield, With 104809 Oiler,4
101547	(G),2	101567	(2),2	115652	End Shield, With 104809 Oiler,4
101548	(H),2	101568	(3),2	115653	Ball Bearing,4
101549	(I),2	101569	(4),2	115654	Rotor - With 115653 Ball Bearings,4
101550	(J),2	101570	(5),2	115655	Washer - Cork,4
101551	(K),2	101571	(6),2	115656	Washer - Cup,4
101552	(L),2	101572	(7),2	115657	Screw (5/8-24 x 1/4),4
101553	(M),2	101573	(8),2	115658	Disc,4
101554	(N),2	101574	(9),2	115659	Screw (2-56 x 3/16),4
101555	(O),2	101575	(-),2	115660	Spacer,4
101556	(P),2	101576	Space Bar,2		
101557	(Q),2	102265	wound Stator,4		
101558	(R),2	102270	Shims (.005),4		
101559	(S),2	102272	Bushing - Bakelite,4		
101560	(T),2	103599	Spacer,2		
101561	(U),2	103697	Screw (4-40 x 7/16),3		
101562	(V),2	104252	Cable (With 82474 Terminals),8		
		104809	Oiler,4		

1/14/49enc

TELETYPE TO BELL SYSTEM DESIGNATION CONVERSION LIST
FOR UNITS AND PARTS SHOWN IN BULLETIN NO. 1139 (ISSUE 1)
PARTS - MONOPULSE PRINTER

Teletype Code

Bell System Code

HK1

36A Keyboard

HP1

36A Typing Unit

99381

P470771 Foot - Leather

APPARATUS USED BY BELL SYSTEM
BUT THIS INFORMATION
NOT FOR GENERAL DISTRIBUTION

Teletype Corporation
Chicago, Illinois, U.S.A.

Used but not

**FOR GENERAL DISTRIBUTION
TO BELL SYSTEM**

CORRECTION TO
BULLETIN 1139, ISSUE 1
PARTS MONOPULSE PRINTER

4/27/49-GMc

EE-665
Issue 1
March, 1949

PAGE 6

On right-hand side of lower illustration change the designations

101115 Stud - Eccentric
78723 Stud - Eccentric

to read:

101115 Sleeve - Eccentric
78723 Sleeve - Eccentric.

Also make the same change in the numerical index Page 9.

* * *

Printed in U.S.A.