

BULLETIN 1210B

32 PAGE PRINTER SET

(ASR, KSR, AND RO)

PARTS



TELETYPE[®]

CORPORATION

5555 TOUHY AVENUE, SKOKIE, ILLINOIS

TABLE OF CONTENTS

SECTION	TITLE	ISSUE	DATE
574-171-800TC	32 Keyboard (UK)	*4	October 1972
574-172-800TC	32 Typing Unit (UP)	*4	October 1972
574-173-800TC	32 Call Control Unit (UCC)	*4	October 1972
574-174-800TC	32 Tape Reader (UX)	*3	October 1972
574-175-800TC	32 Tape Punch (UPE)	*3	October 1972
574-176-800TC	32 Cover and Table	*3	October 1972

*Indicates revised sections

32 KEYBOARD (UK)

PARTS

FIGURE	CONTENTS	PAGE
1	Keyboard Basket and Contact Block	2
2	Keyboard Covers	3
3	Codebar Mechanism	4
4	Keytops	5
5	Keylevers	5
6	186752 Modification Kit to Provide Locking for Keyboard (Early Design)	6
7	186752 Modification Kit to Provide Locking for Keyboard (Later Design)	6
	Numerical Index	7

NOTE: Refer to Section 574-020-800
for Additional 32 Keytops Descriptions.

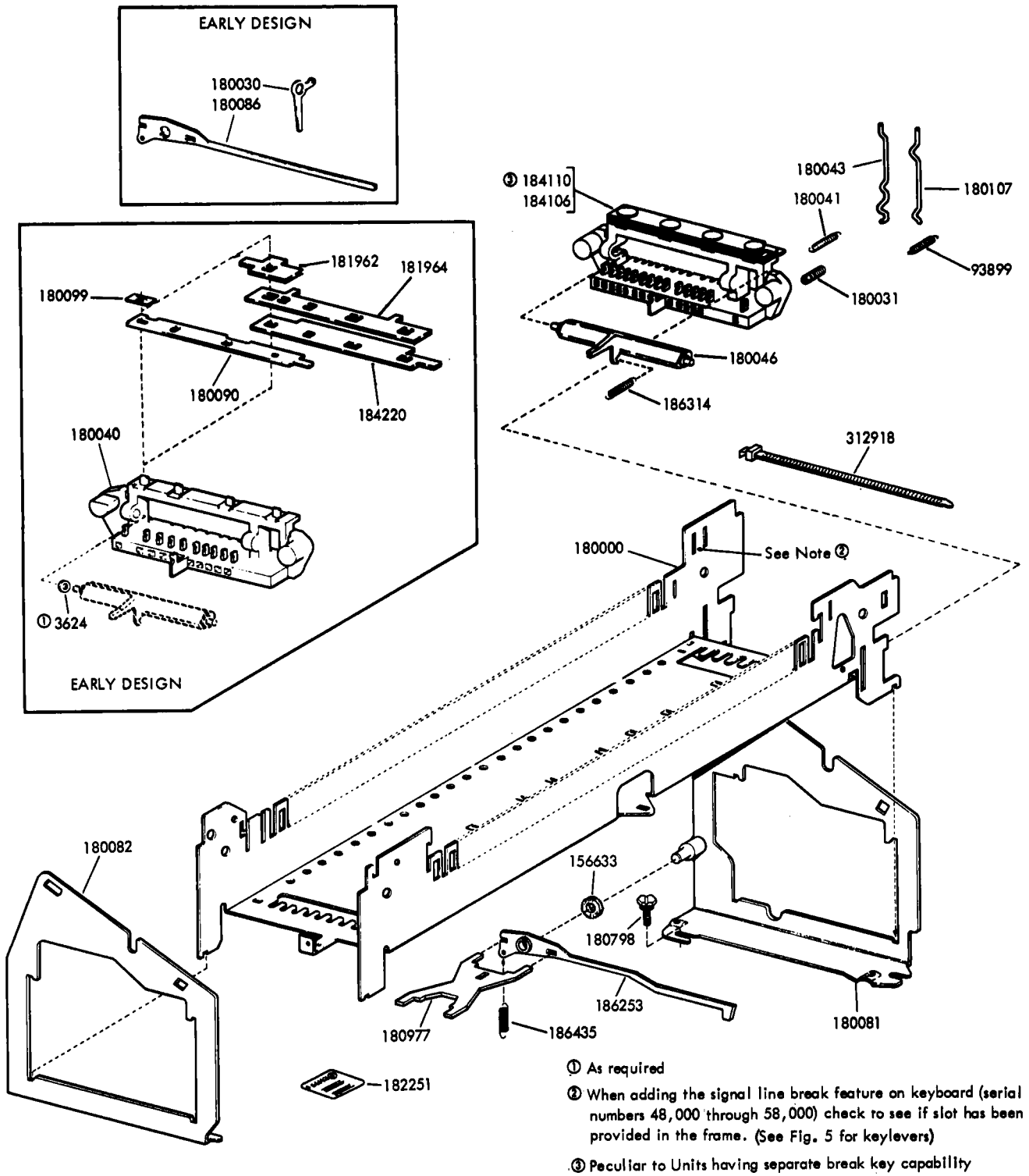


FIGURE 1. KEYBOARD BASKET AND CONTACT BLOCK

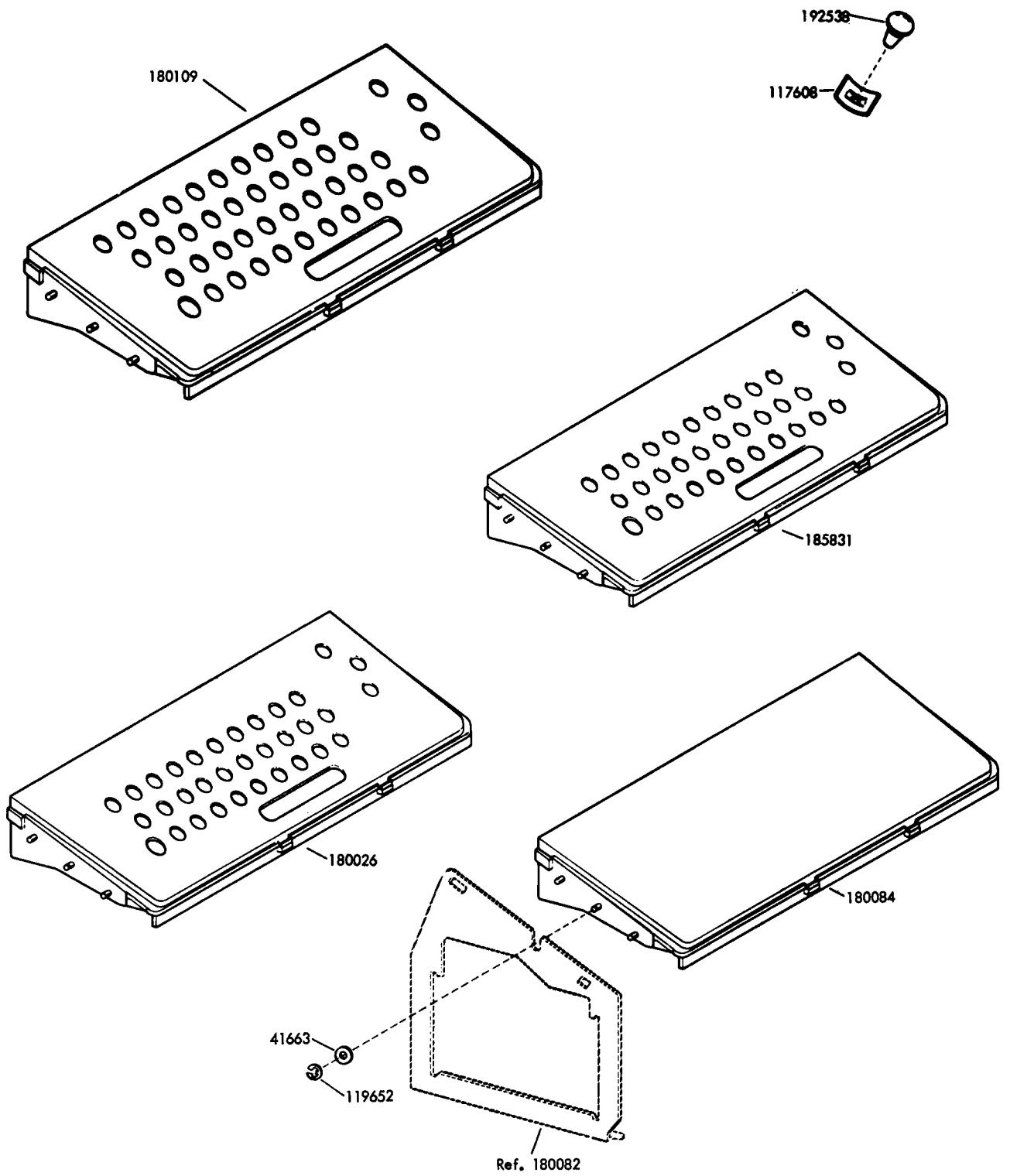


FIGURE 2. KEYBOARD COVERS

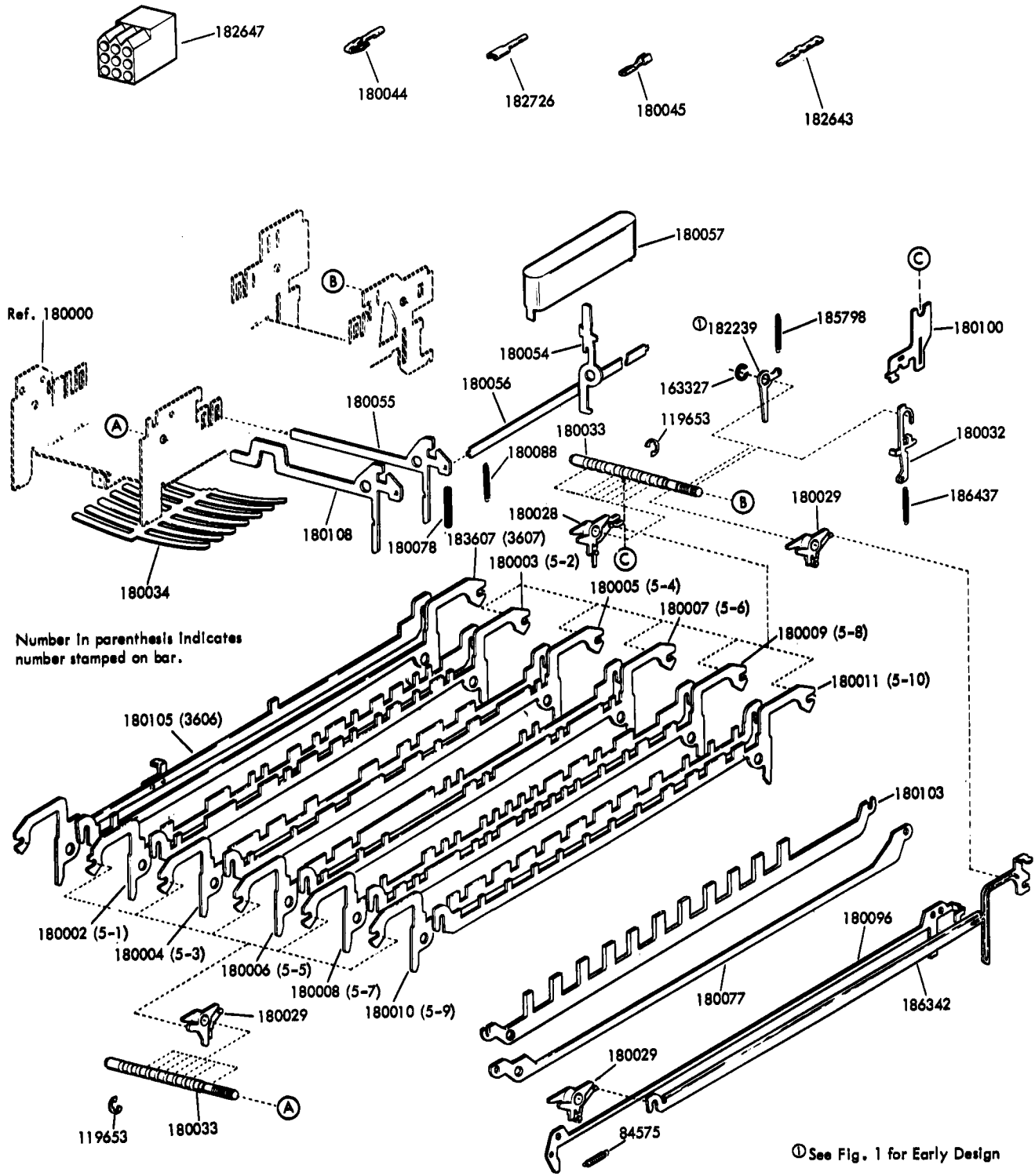
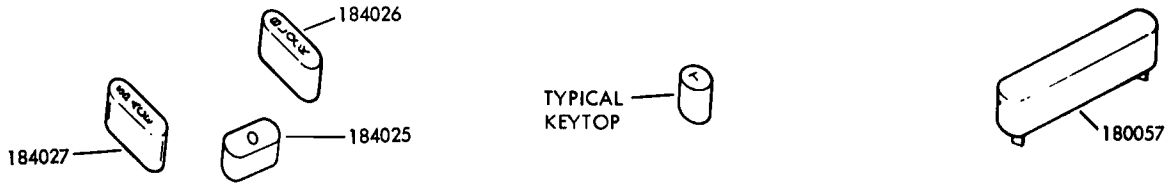
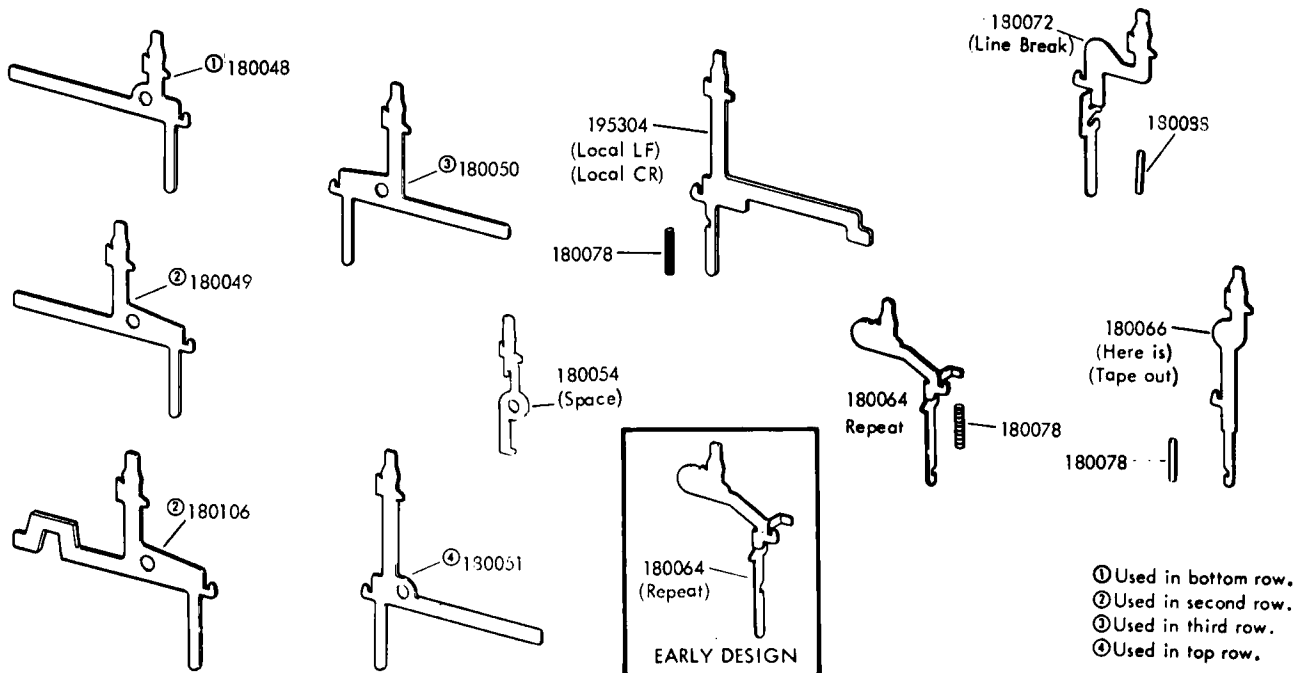


FIGURE 3. CODE BAR MECHANISM



Keytop Description			Keytop Description			Keytop Description			Keytop Description			Keytop Description		
Lower Case	Upper Case	Part Number	Lower Case	Upper Case	Part Number	Lower Case	Upper Case	Part Number	Lower Case	Upper Case	Part Number	Lower Case	Upper Case	Part Number
A	-	180223	F	→	185232	L	3/4	180245	T		180261	2		180265
A	↑	185230	G	&L	180227	L	EA	180450	U		180177	3		180266
B	?	180236	G	&	180242	L	↘	185237	U	7	180219	4		180267
B	5/8	180249	G		180274	M	.	180238	V	;L=	180235	5		180268
B	⊕	185240	G	⊕	180387	N	,	180237	V	3/8	180248	6		180269
C	:	180234	G	↘	185233	N		180250	V	=	180276	7		180270
C	WRU	180247	H		180186	N	⊕	185241	V	;	180342	8		180271
C	○	185238	H	#L	180228	O		180169	V	NT	180452	9		180272
D	*	180225	H	£	180338	O	9	180221	V	⊕	185239	0		180169
D	\$	180240	H	#	180448	P	○	180222	W		180172		(NO SYMBOL)	180299
D	WRU	180277	H	↓	185234	P		180263	W	2	180214		RETURN	180202
D		180278	I	8	180220	P	∅	180389	X	/	180233		LINE FEED	180203
D	↗	185231	I		180262	Q		180171	Y		180176		HERE IS	180206
E	3	180215	J	BELL	180229	Q	1	180213	Y	6	180218		BREAK	180207
E		180259	J		180243	R	4	180216	Z	⊕	180232		REPT	180208
F	\$L	180226	J	/	185235	R		180260	Z	"	180246		FIGS	180210
F	1/4	180241	K	(180230	S	,	180224	Z	+	180275		LTRS	180211
F		180273	K	1/2	180244	S	BELL	180239	Z	PR	180451		TAPE OUT	180445
F	1	180343	K	BD	180449	S	RM	180446	BLANK	-	185229		LOC LF	151249
F	%	180386	K	←	185236	T	5	180217			180264		LOC CR	151250
F	\$	180447	L)	180231									

FIGURE 4. KEYTOPS



- ① Used in bottom row.
- ② Used in second row.
- ③ Used in third row.
- ④ Used in top row.

FIGURE 5. KEYLEVERS

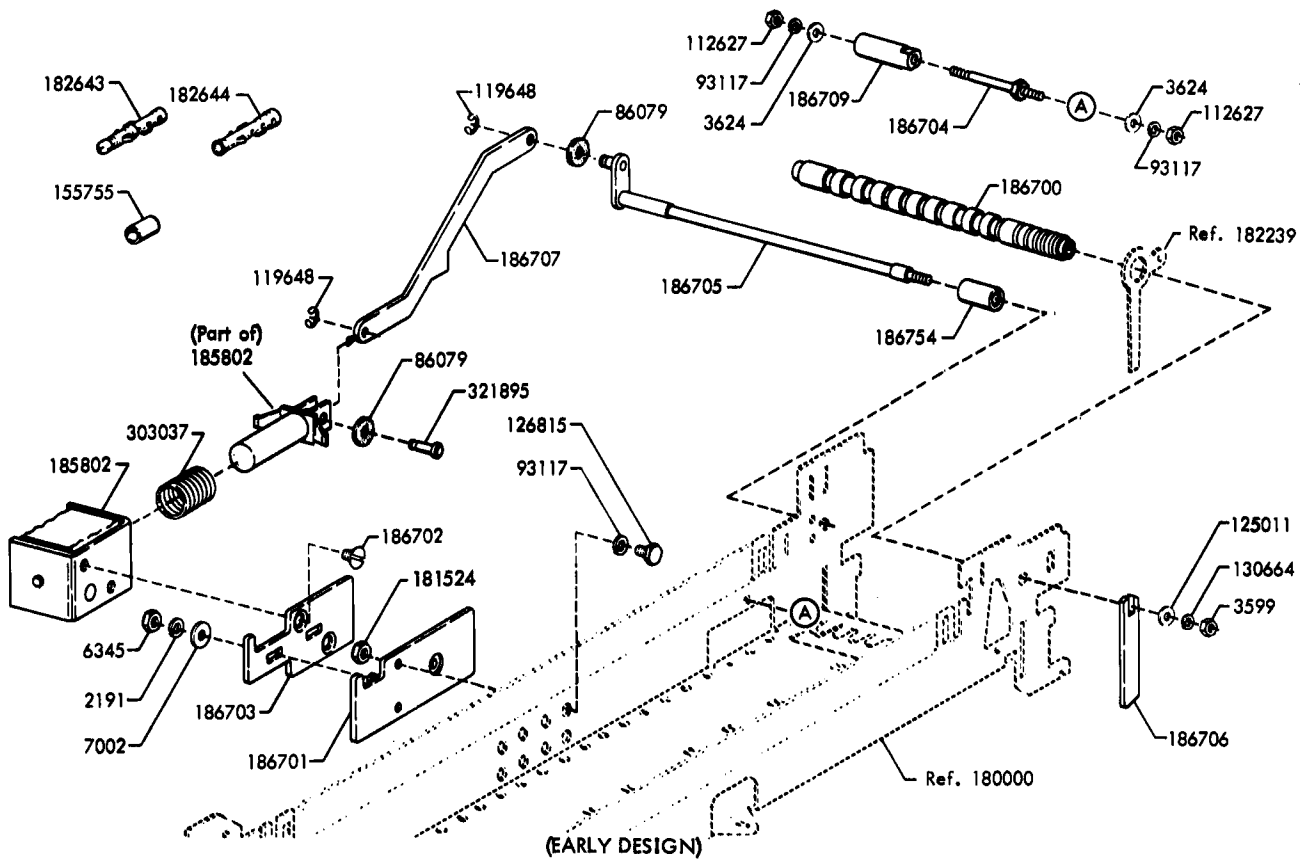


FIGURE 6. 186752 MODIFICATION KIT TO PROVIDE LOCKING FOR KEYBOARD

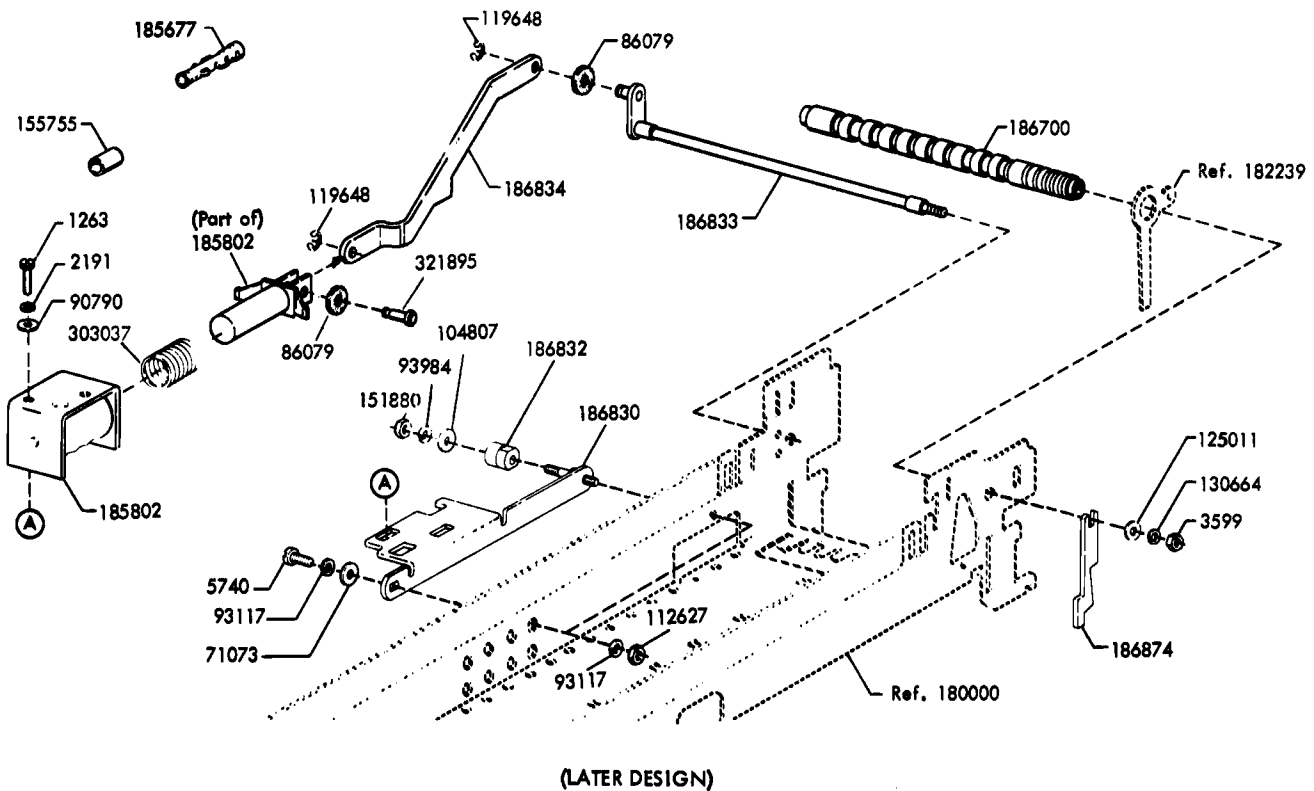


FIGURE 7. 186752 MODIFICATION KIT TO PROVIDE LOCKING FOR KEYBOARD

NUMERICAL INDEX

Part Number	Description and Page Number	Part Number	Description and Page Number	Part Number	Description and Page Number
1263	Screw, 6-32 x 1/4 Fl 6	180041	Spring 2	180259	
2191	Lockwasher 6	180043	Wire, Contact 2	thru	
3599	Nut, 4-40 Hex 6	180044	Terminal, Tab Type 4	180278	Keytop 5
3624	Washer, Flat 2,6	180045	Terminal, Tab Type 4	180299	Keytop 5
5740	Screw, 2-56 x 1/4 Fl 6	180046	Ball, Contact Reset 2	180338	Keytop 5
6345	Nut, 6-32 Hex 6	180048	Keylever 5	180342	Keytop 5
8330	Washer, Flat 6	180049	Keylever 5	180343	Keytop 5
41663	Washer, Flat 3	180050	Keylever 5	180386	Keytop 5
71073	Washer, Flat 6	180051	Keylever 5	180387	Keytop 5
84575	Spring 4	180054	Keylever, Space Bar 4,5	180389	Keytop 5
86079	Washer, Felt 6	180055	Keylever, Space 4	180445	
90790	Washer, Flat 6	180056	Link, Space 4	thru	
93117	Lockwasher 6	180057	Bar, Space 4,5	180452	Keytop 5
93899	Spring 2	180064	Keylever, Repeat 5	180798	Screw, 8-32 Self-Tapping 2
93984	Lockwasher 6	180066	Keylever 5	180977	Plate w/Stud 2
104807	Washer, Flat 6	180072	Keylever, Fine Break 5	181524	Nut, 2-56 Shoulder 6
112627	Nut, 2-56 Hex 6	180077	Link 4	181962	Terminal 2
117608	Nut, Speed 3	180078	Spring, Compression, 4,5	181964	Insulator 2
119648	Ring, Retaining 6	180081	Bracket, Right Keyboard 2	182239	Lever, Latch 4,6
119652	Ring, Retaining 3	180082	Bracket, Left Keyboard 2, 3	182251	Plate, Identification 2
119653	Ring, Retaining 4	180084	Cover, Keyboard 3	182643	Terminal, Plug Type 4,6
125011	Washer, Flat 6	180086	Lever 2	182644	Terminal, Receptacle Type 6
126815	Screw, 2-56 x 15/64 Hex 6	180088	Spring, Compression 4,5	182647	Connector, 12 Pt Plug Type 4
130664	Lockwasher 6	180090	Terminal, Common 2	182726	Terminal, Receptacle Type 4
151249	Keytop 5	180096	Link 4	183607	Bar, Code 4
151250	Keytop 5	180099	Fastener 2	184025	Keytop 5
151880	Nut, 4-40 Hex 6	180100	Guide 4	184026	Keytop 5
155755	Sleeve, 11/64 x 5/8" Lg Insulating 6	180103	Link, Blocking 4	184027	Keytop 5
156633	Washer, Felt 2	180105	Bar, Code 4	184106	Block Assembly, Right Contact 2
163327	Ring, Retaining 4	180106	Keylever 5	184110	Block Assembly, Right Contact 2
180000	Frame, Keyboard 2,4,6	180107	Detent 2	184220	Terminal 2
180002	Bar, No. 1 Rear Code 4	180108	Keylever, Space 4	185229	
180003	Bar, No. 1 Front Code 4	180109	Cover, Keyboard 3	thru	
180004	Bar, No. 2 Rear Code 4	180169	Keytop 5	185241	Keytop 5
180005	Bar, No. 2 Front Code 4	180171	Keytop 5	185798	Spring 4
180006	Bar, No. 3 Rear Code 4	180172	Keytop 5	185802	Solenoid 6
180007	Bar, No. 3 Front Code 4	180176	Keytop 5	185831	Cover, Keyboard 3
180008	Bar, No. 4 Rear Code 4	180177	Keytop 5	186253	Lever w/Hub 2
180009	Bar, No. 4 Front Code 4	180186	Keytop 5	186314	Spring 2
189910	Bar, No. 5 Rear Code 4	180202	Keytop 5	186342	Bar, Universal Code 4
180011	Bar, No. 5 Front Code 4	180203	Keytop 5	186435	Spring 2
180026	Cover, Keyboard 3	180206	Keytop 5	186437	Spring 4
180028	Lever 4	180207	Keytop 5	186700	Shaft 6
180029	Lever 4	180208	Keytop 5	186701	Plate 6
180030	Lever, Patch 2	180210	Keytop 5	186702	Screw, 6-32 Spl 6
180031	Spring, Compression 2	180211	Keytop 5		
180032	Lever, Non-Repeat 4	180213			
180033	Shaft 4	thru			
180034	Spring, Flat 4	180250	Keytop 5		
180040	Block, Contact 2				

NUMERICAL INDEX (Continued)

Part Number	Description and Page Number	Part Number	Description and Page Number	Part Number	Description and Page Number
186703	Plate, Top Mounting 6	186752	Modification Kit 1,6	192538	Plug, Button 3
186704	Stud 6	186754	Bushing 6	195304	Keylever 5
186705	Shaft 6	186830	Bracket 6	303037	Spring, Compression 6
186706	Cam, Trip 6	186832	Bushing, Eccentric 6	312918	Strap 2
186707	Lever 6	186833	Shaft 6	321895	Post 6
186709	Bushing, Eccentric 6	186874	Cam, Trip 6		