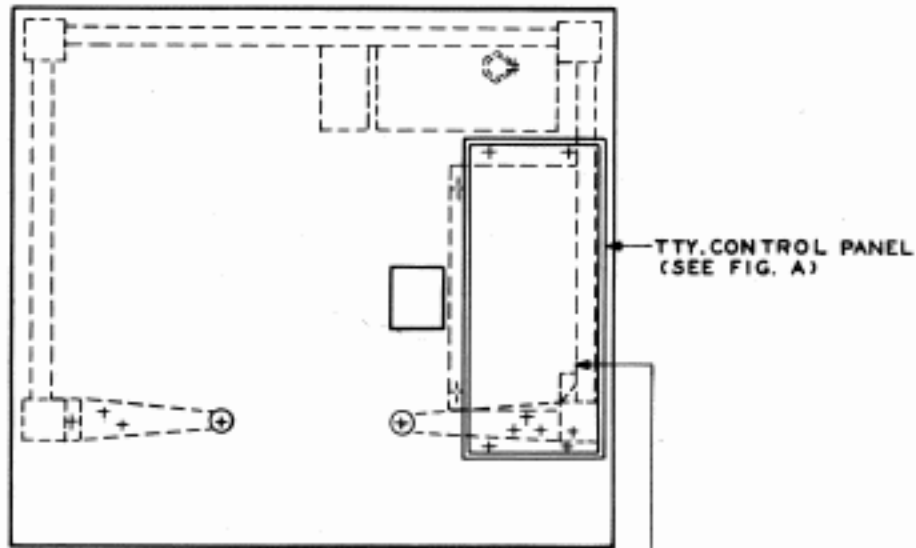


**BELL SYSTEM PRACTICES**  
TELETYPEWRITER STATION INSTALLATION AND MAINTENANCE

Sc  
File



PLAN VIEW

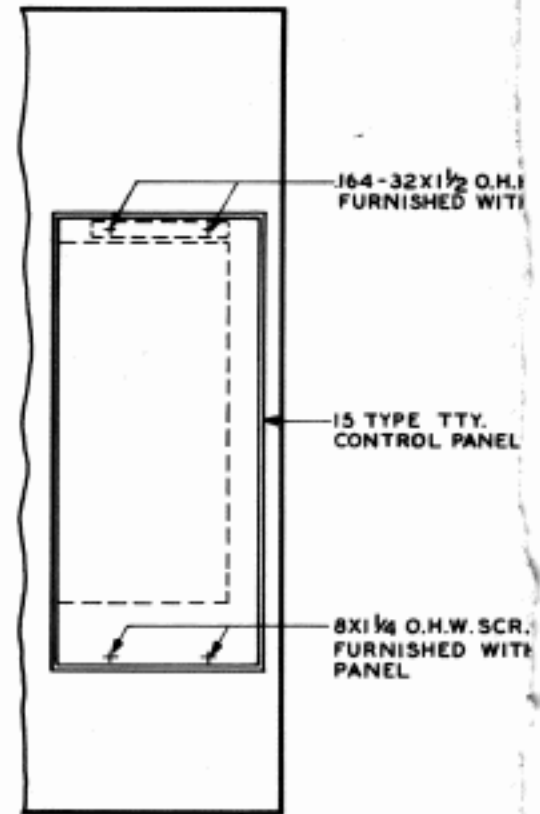
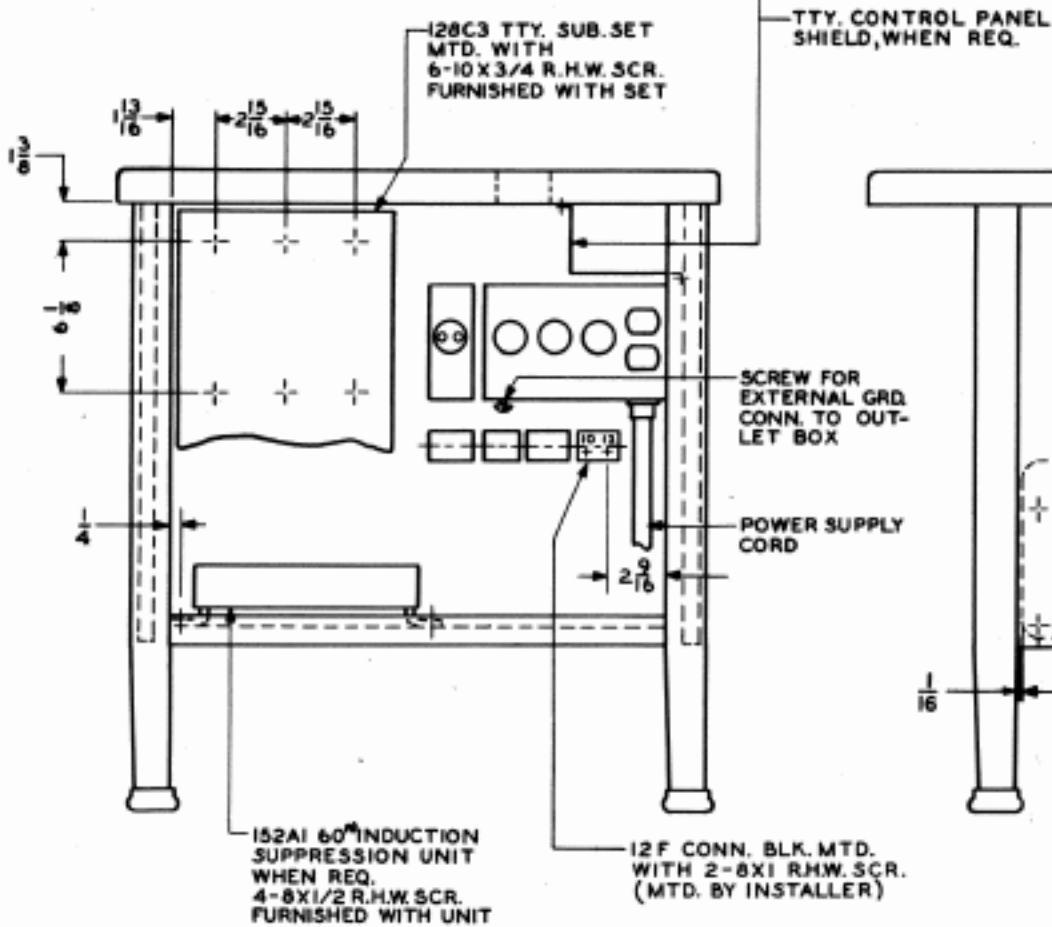
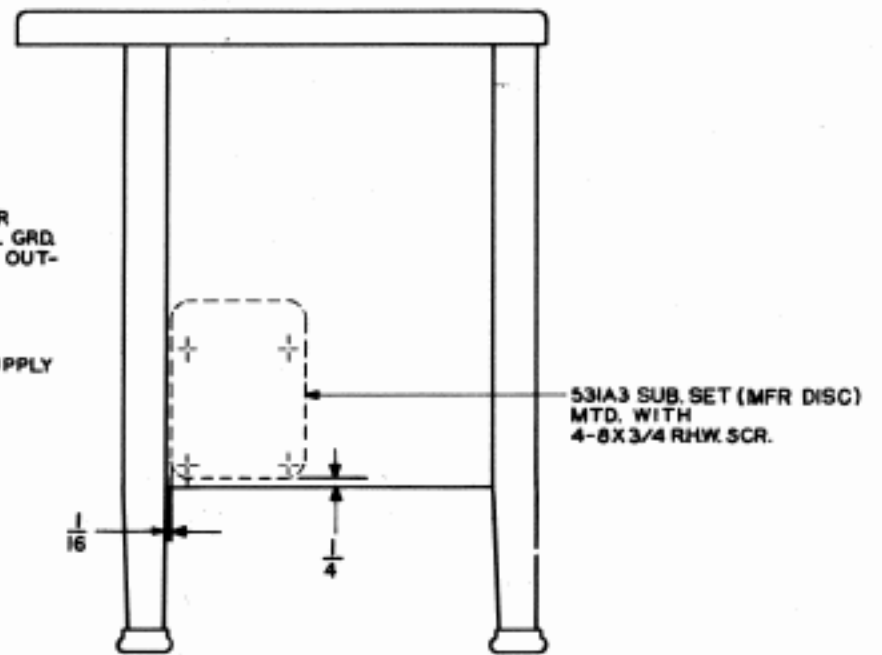


FIG. A



FRONT VIEW WITHOUT FRONT DOOR



RIGHT END VIEW

ATTENDED SERVICE  
FIG. 1

NOTES:  
 1. ONE COPY OF STATION WIRING BSP SHALL BE PLACED  
 IN P-419199 ENVELOPE AND LEFT IN THE TTY TABLE.

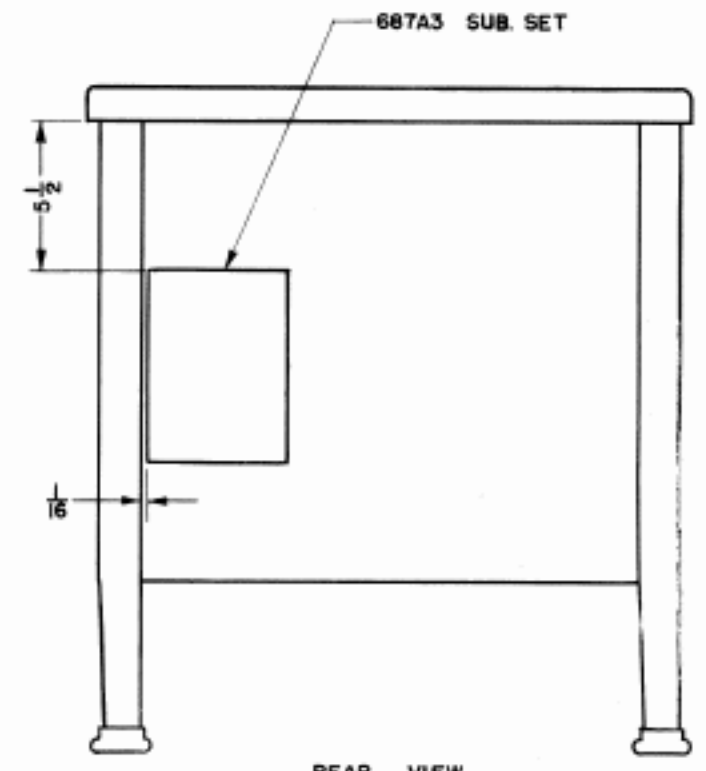
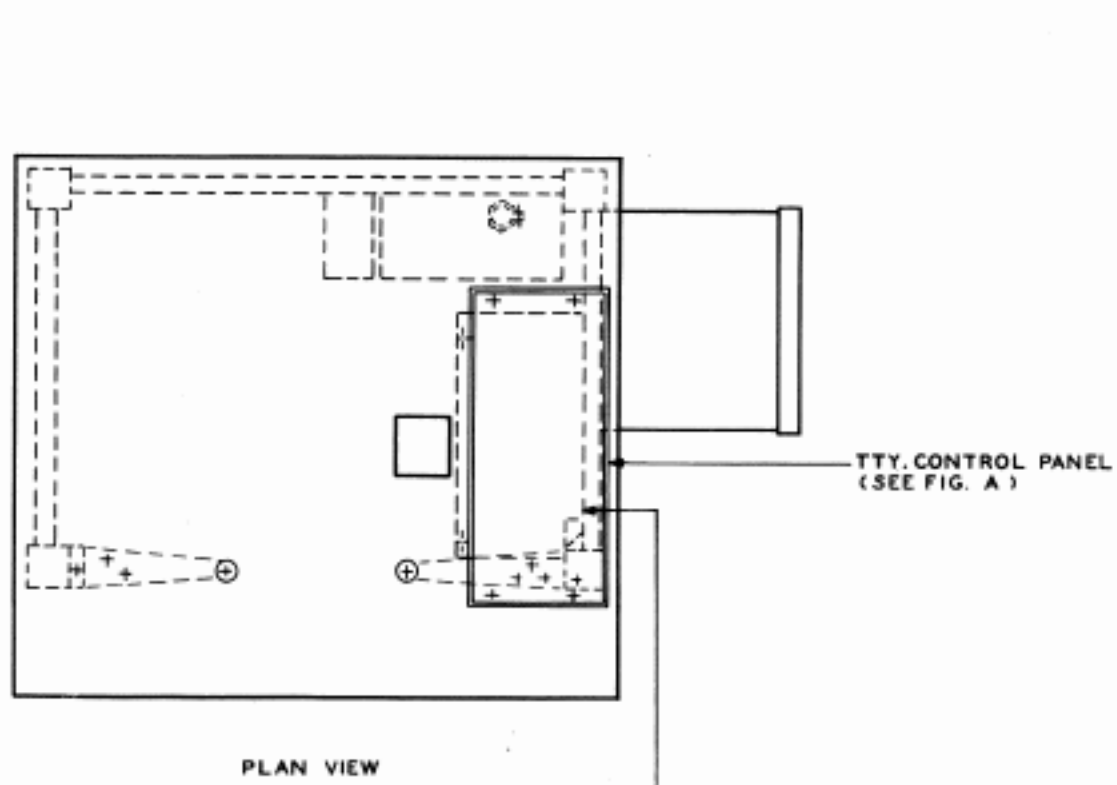
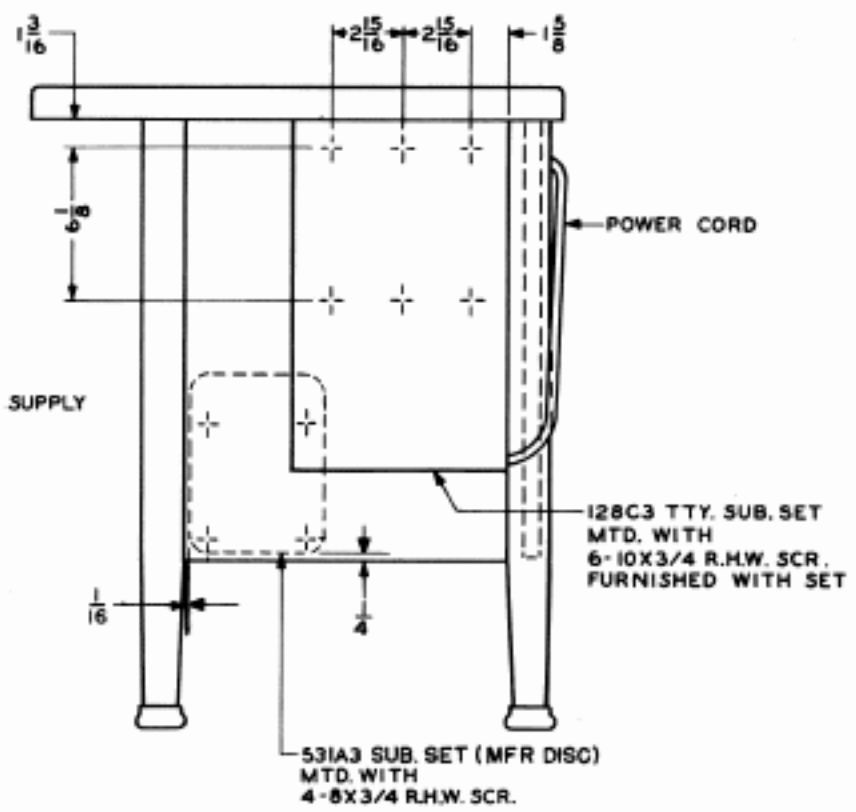
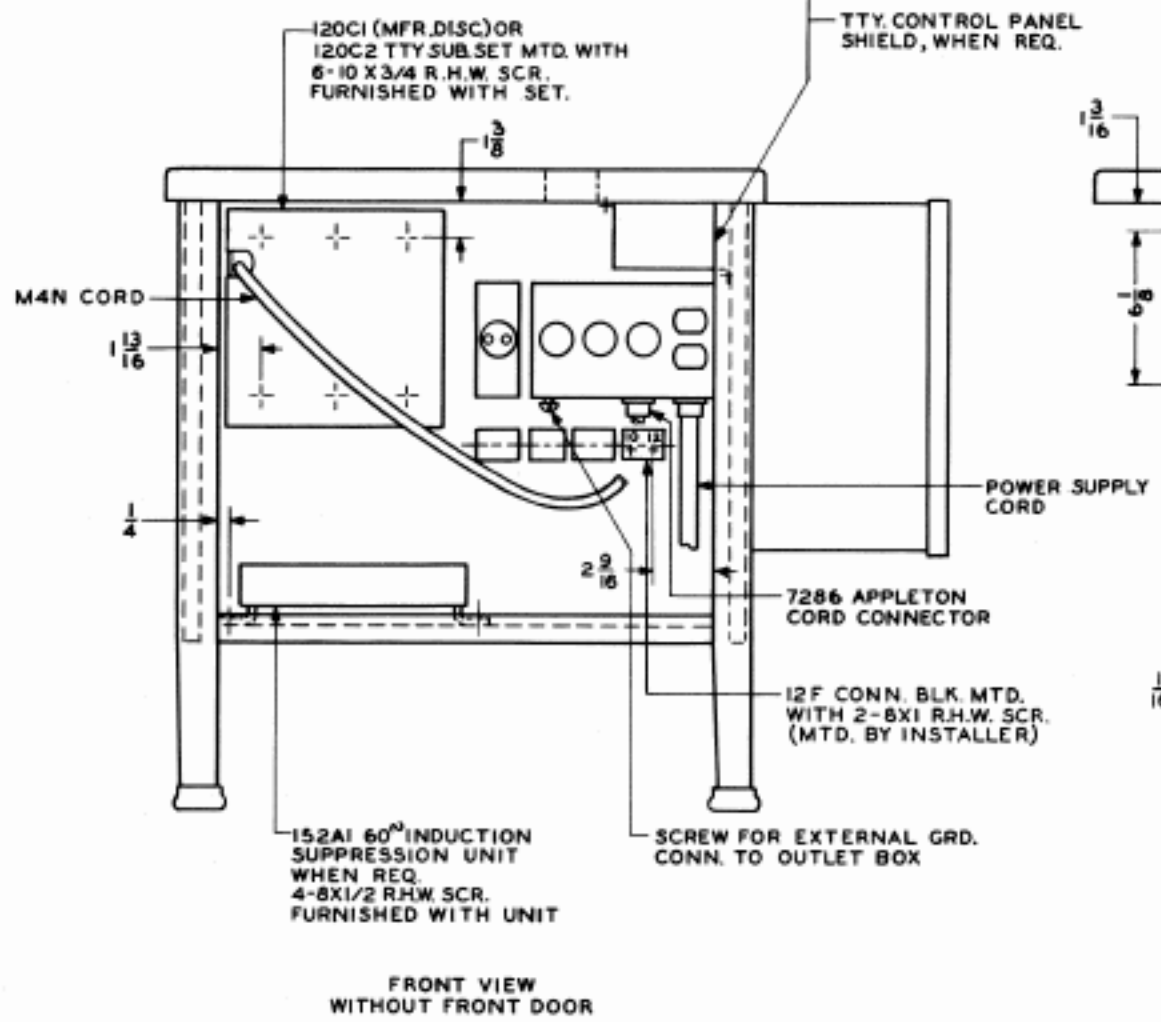


FIG. B



128C3 TTY SUB. SET  
 ATTENDED & UNATTENDED  
 TWX SERVICE  
 15 TYPE TTY. & 15N TABLE