

INSTRUCTIONS FOR INSTALLING THE 183859
MODIFICATION KIT TO PROVIDE A PAPER SUPPLY
BIN AND ACCUMULATING SHELF ON MODEL 32/33
CABINETS

1. GENERAL

a. The 183859 modification kit provides the Model 32 and 33 Cabinets with a paper supply bin and accumulating shelf. The kit stores forms prior to and during operation of the printer and accumulates these forms after they have been typed.

b. This kit will accumulate folded form stationary 8-1/2" in width and from 6" to 12" in length. However, the following should be noted:

(1) It is necessary for the operator to check the first form that falls onto the accumulator shelf and refold it if it has folded against the crease.

(2) The accumulator shelf will handle most forms. However, some forms (usually single ply) may cause improper accumulation due to:

(a) Stiff creases: This condition is caused by a low percentage of perforations in the creases and prevents the forms from lying flat on the accumulating shelf. If this type of failure should occur, the operator should straighten and flatten out the pile or empty the shelf.

(b) A curl in the paper: This condition results when a form is wrapped around the platen for a period of time. If this type of failure should occur, the operator should straighten out the pile.

c. The 183859 kit consists of:

8	2191	Lockwasher	4	183854	Foot
4	2263	Nut	1	183855	Plate W/Hinges
12	3598	Nut	1	183856	Guide, Paper
4	3646	Lockwasher	1	183857	Shelf, Paper
2	84990	Screw	1	183858	Bin, Paper Supply
2	103084	Washer, Flat	1	183860	Clip, Spring
4	151657	Screw	1	184159	Bracket, Backstop
2	151659	Screw	1	185707	Screw

2. INSTALLATION (Figures 1 and 2)

a. Assemble four 183854 feet to the bottom of the 183858 paper supply bin per Figure 1.

b. Assemble 183857 paper shelf to 183858 paper supply bin per Figure 1. In order that the paper shelf pivots freely on the supply bin, position the two lock nuts so that there is approximately 1/64 inch clearance between the screw head and the side of the shelf per Figure 2.

c. Assemble 183856 paper guide to 183855 plate w/hinges and then assemble these parts to 183857 paper shelf per Figure 1.

d. Assemble 183860 clip to 183855 plate w/hinges per Figure 1. If necessary bend the clip so that it latches the paper guide securely.

e. Assemble 184159 backstop bracket to 183857 paper shelf per Figure 1. To select the proper set of holes, consult the following table:

<u>LENGTH OF FORM WHEN FOLDED</u>	<u>DISTANCE BETWEEN PLATE W/HINGES AND BACKSTOP BRACKET</u>
6	8-1/4
7	8-1/4
7-1/3	8-1/4
8	8-3/4
8-1/2	9-1/4
10	10-1/4
11	11-1/4
12	12-1/4

NOTE

The above table applies to soft pliable forms; three ply or less. When unusual types of forms are used, deviation from this table may be necessary for proper accumulation.

f. Place the assembled accumulator cabinet flush with the back of the console and in line with the platen. Remove the 1" diameter fiber spindle from the well in the cover. Raise the 183856 paper guide and slip the fiber spindle through the channel in the guide. Then replace the spindle in the well of the cover. See Figure 1.

NOTE

When the unit is equipped with a copy holder, slip the paper guide between the supports of the copy holder before inserting the fiber spindle.

g. When loading a box of forms into the supply bin, do the following:

- (1) Lift the spindle out of the well in the cover.
- (2) Lower the paper guide to the paper shelf and clip it into place.

NOTE

When the unit is equipped with a copy holder, remove the spindle from the paper guide before lowering it.

- (3) Raise the paper shelf to its vertical position.
- (4) Load forms into the supply bin and thread them into the printer.
- (5) Reverse the procedure outlined in steps (1) to (3) above.

*

*

*

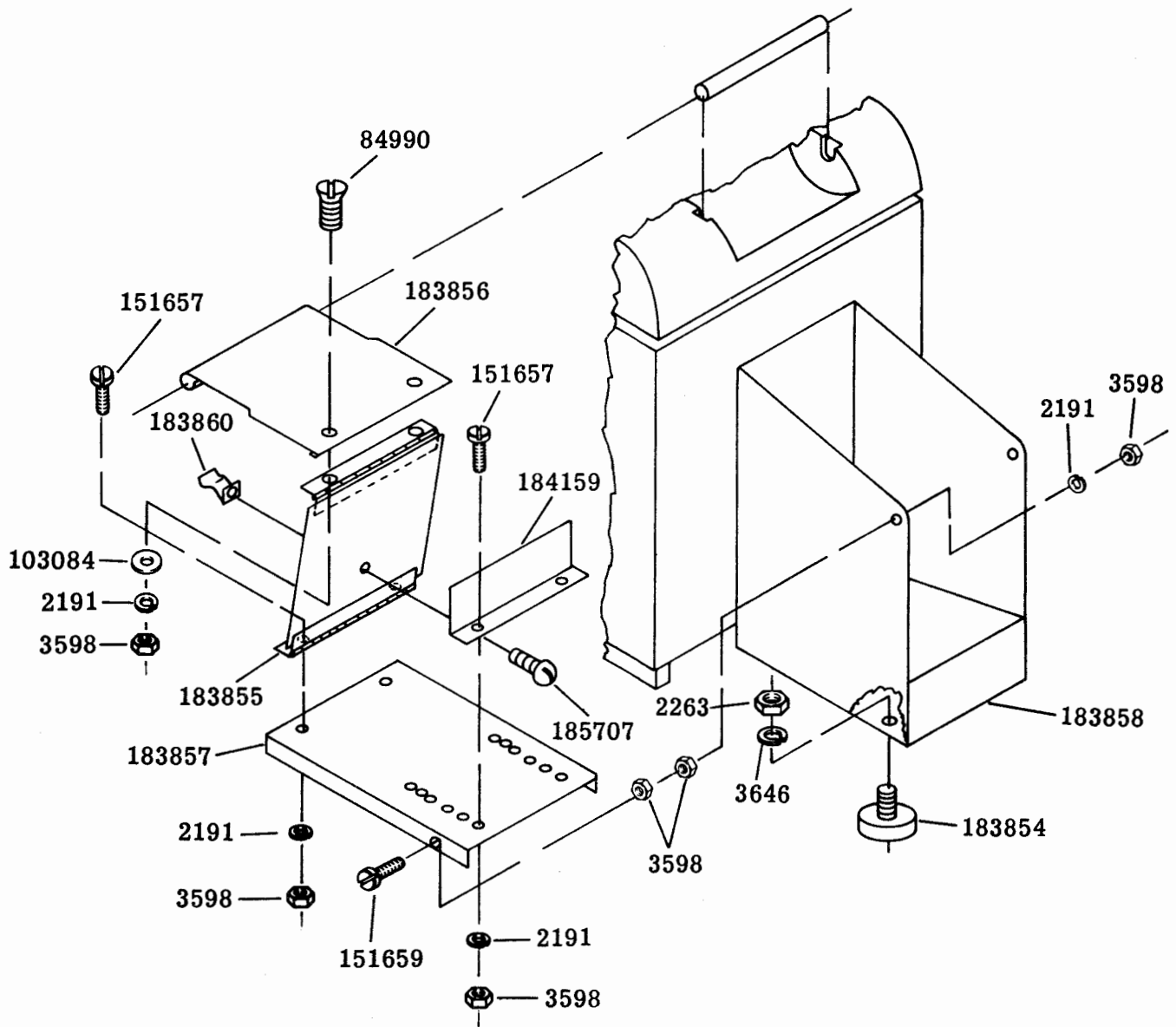
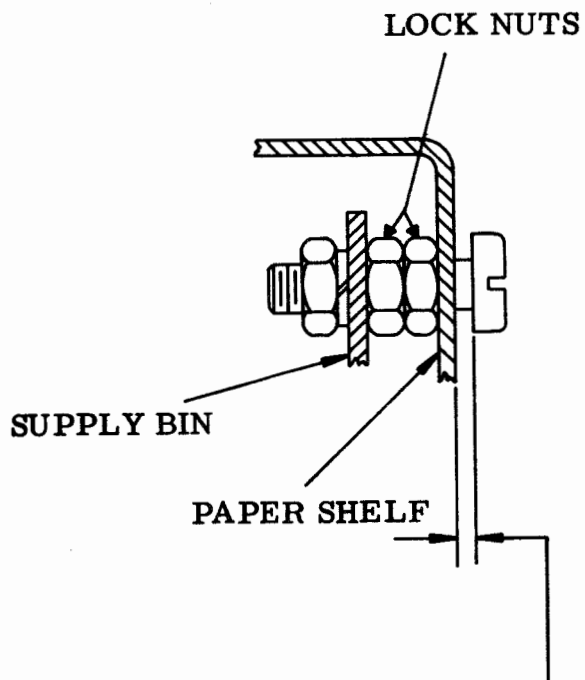


Figure 1

50433S



Requirement: The Accumulating Shelf
Should Pivot Freely on The Supply
Bin. There Should Be Approximately
1/64 Inch Clearance.

To Adjust: Position the Two Lock
Nuts To Meet This Requirement

Figure 2



—



—

