

INSTRUCTIONS FOR INSTALLING 195540 CHAPMAN STATIC
ELIMINATOR MODIFICATION KIT IN ONE OF THE THREE TYPING
UNIT POSITIONS OF TELETYPE MODEL 28 UNIVERSAL CABINET
LBAC247**. ALSO, INFORMATION PERTAINING TO COMPONENTS
REQUIRED TO EQUIP THE REMAINING TWO TYPING UNIT
POSITIONS FOR STATIC ELIMINATION

1. GENERAL

a. The 195540 Modification Kit includes a 178387 Chapman Static Eliminator Modification Kit (Teletype Specification 50051S). When installed in a Teletype Model 28 Universal Cabinet LBAC247** the 195540 Kit provides an electrical static eliminator that may be applied to any one of the three Model 28 Typing Unit positions in the cabinet. As the power unit included in this kit is equipped with a duplex outlet which will service two static eliminator inductor bars, and the mounting bracket included in the kit will accommodate two power units, it is necessary to only order the following items to provide static elimination for the other two typing unit positions in the cabinet:

(1) The second typing unit position will require only a 178390 Static Eliminator Inductor Bar and a 178391 Inductor Bar Extension Cable. Power for this inductor bar will be supplied by the power unit for the inductor bar used at another typing unit position.

(2) The third typing unit position will require only a 178387 Chapman Static Eliminator Modification Kit. The power unit included in this kit will be mounted on the same bracket used to mount the power unit for one of the other typing unit positions. The 121244 Cable Clamp, 153442 Screw and 178388 Ground Clip included in this kit are not required when these kits are installed in LBAC247 Universal Cabinets and should be discarded.

b. The 195540 Modification Kit consists of:

2	2669	Washer, Lock	1	178387	Modification Kit, Chapman, Static Eliminator (See Paragraph 1.c.)
2	117535	Washer, Flat			
2	125231	Nut			Bracket, Mounting
2	151632	Screw	1	195543	
2	151724	Screw			

c. For components and details of the 178387 Chapman Static Eliminator Modification Kit, see Teletype Specification 50051S furnished with the 178387 Kit.

d. The double asterisks (**) denote a suffix which indicates the color of the paint finish.

2. INSTALLATION (Figures 1,2 and 3)

NOTE

For parts referred to, other than those included in the modification kit, refer to Teletype Parts Bulletin 1149B. References to direction apply to the unit in its normal operating position as viewed from the front.

a. 195543 MOUNTING BRACKET (Figure 1) - Remove and discard the two outer 151630 Screws that secure the 145775 Brackets to the 145769 Plates; retain the two 2191 Lock Washers. Install the 195543 Mounting Bracket on the inner frame of the cabinet (directly to the rear of the bottom typing unit position) and secure to the 145775 Brackets and 145769 Plates using two 151632 Screws and the retained 2191 Lock Washers.

b. 178389 POWER UNIT (Figure 1) - With the outlet of the 178389 Power Unit toward the right side of the cabinet, mount the power unit on the 195543 Mounting Bracket using two 151724 Screws, 117535 Washers, 2669 Lock Washers and 125231 Nuts.

CAUTION

Make certain that the AC power to the cabinet is turned off before connecting power unit input cable.

c. POWER CONNECTION (Figure 2) - Route the power unit AC input cable through the cable bracket on the cabinet, to the left mounting plate assembly. Connect the cable to the "BE" terminal board as shown in Figure 2.

d. 178390 INDUCTOR BAR (Figure 3)

(1) Adjust the inductor bar by means of the four adjustable bracket mounting screws so that the adjustable brackets (one at each end of inductor bar) are at their minimum extension.

(2) Inspect the inductor bar to make certain that it is clean and free from defects that might obstruct vision. If the inductor bar must be cleaned, use only a damp tissue or a clean soft damp cloth. Also, clean both sides of the cabinet window, if necessary.

(3) Loosen the four 153538 Screws that retain the two 154433 Clamps for the window (see Figure 3). Install the inductor bar underneath the window by sliding the adjustable bracket at each end of the inductor bar under the clamps. The inductor bar should be positioned so the needle points are facing toward the tearing edge of the window, and the cable is extended from the right side of the inductor bar. Position the inductor bar as far away from the tearing edge of the window as possible. Center the inductor bar with respect to the sides of the cover opening. Extend the inductor bar brackets until the tabs stop against the window clamps. Tighten the four window clamp mounting screws and the four adjustable bracket mounting screws.

(4) Route the inductor bar cable and tie to cover as shown in Figure 3.

e. 178391 INDUCTOR BAR EXTENSION CABLE (Figure 3)

(1) Route the extension cable from the inductor bar cable to the power unit between the right side panel of the cabinet and the inner cabinet frame.

CAUTION

Before connecting cable, make certain the AC power input to the power unit is turned off. Attach the extension cable to the inductor bar cable and to an outlet of the power unit; make certain that the connections are tight. Check for secure connection without end play by pulling the cable lightly. An insecure connection will cause arcing and damage power unit.

(2) Tie the extension cable at the front of the right side panel. Allow enough slack so that no tension is put on the cable when the door is opened, but not an excessive amount of slack which would allow the cable to interfere with closure of the door or with the movement of the shelf and slide.

f. 178392 SECONDARY OUTLET PLUG

CAUTION

If only one outlet of the power unit is being used, insert the 178392 Secondary Outlet Plug into the unused outlet before the power is turned on.

3. SPECIAL INSTRUCTIONS

a. The AC power input to the power unit should be turned off before disconnecting the cables in order to prevent arcing.

b. No grounded material should come within 1/4" of the exposed ends of the wire points.

*

*

*

502075

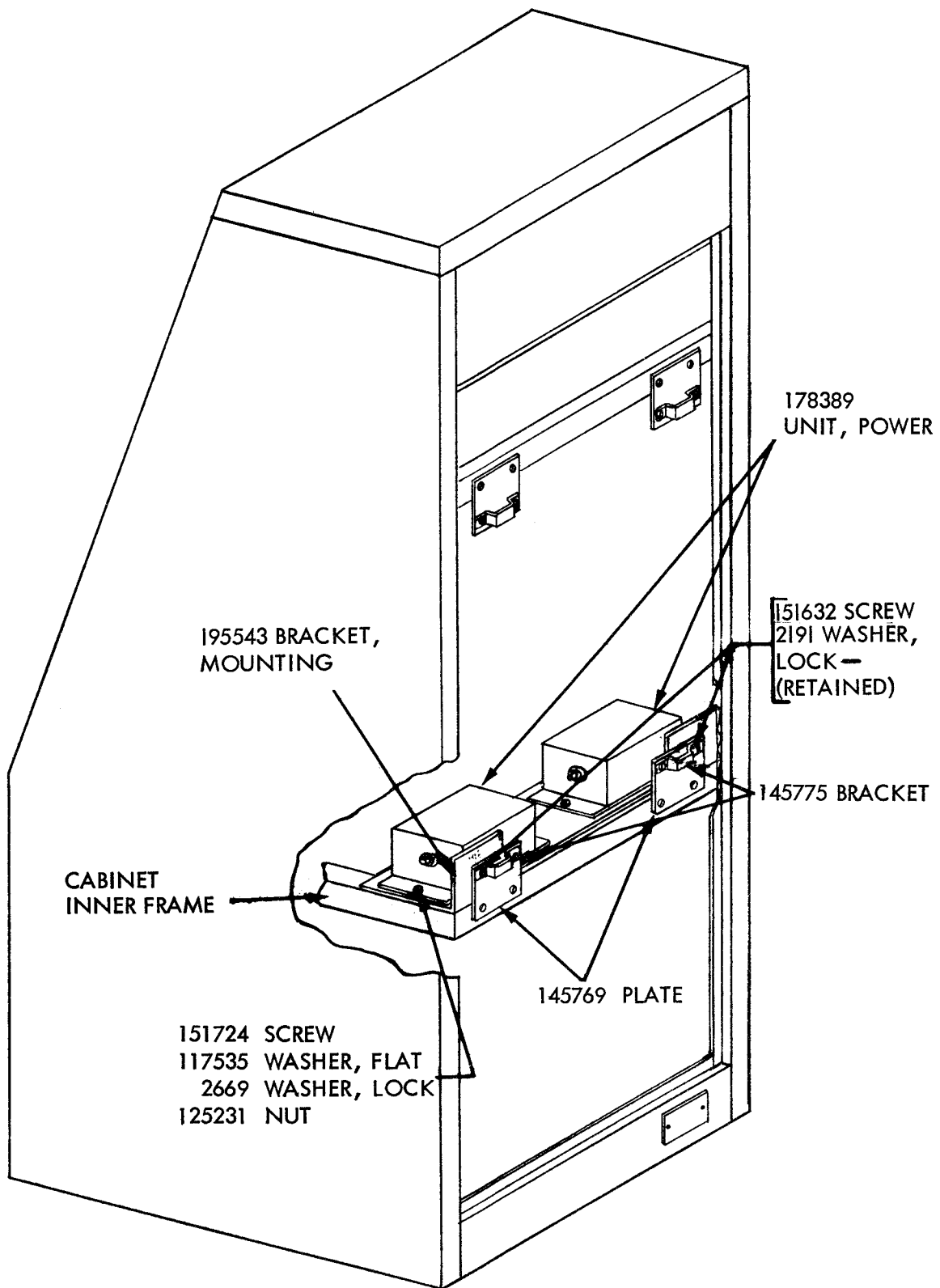


FIGURE 1. POWER UNITS INSTALLED IN CABINET LBAC247**

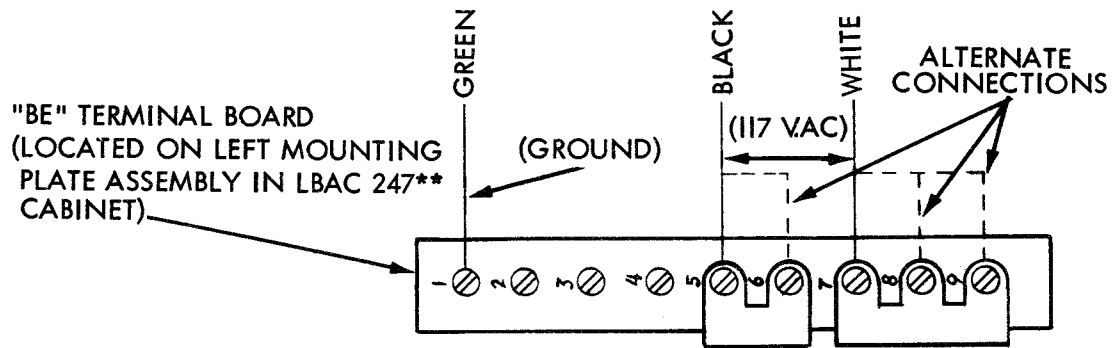


FIGURE 2. CONNECTIONS FOR AC POWER CABLE OF STATIC ELIMINATOR POWER UNIT

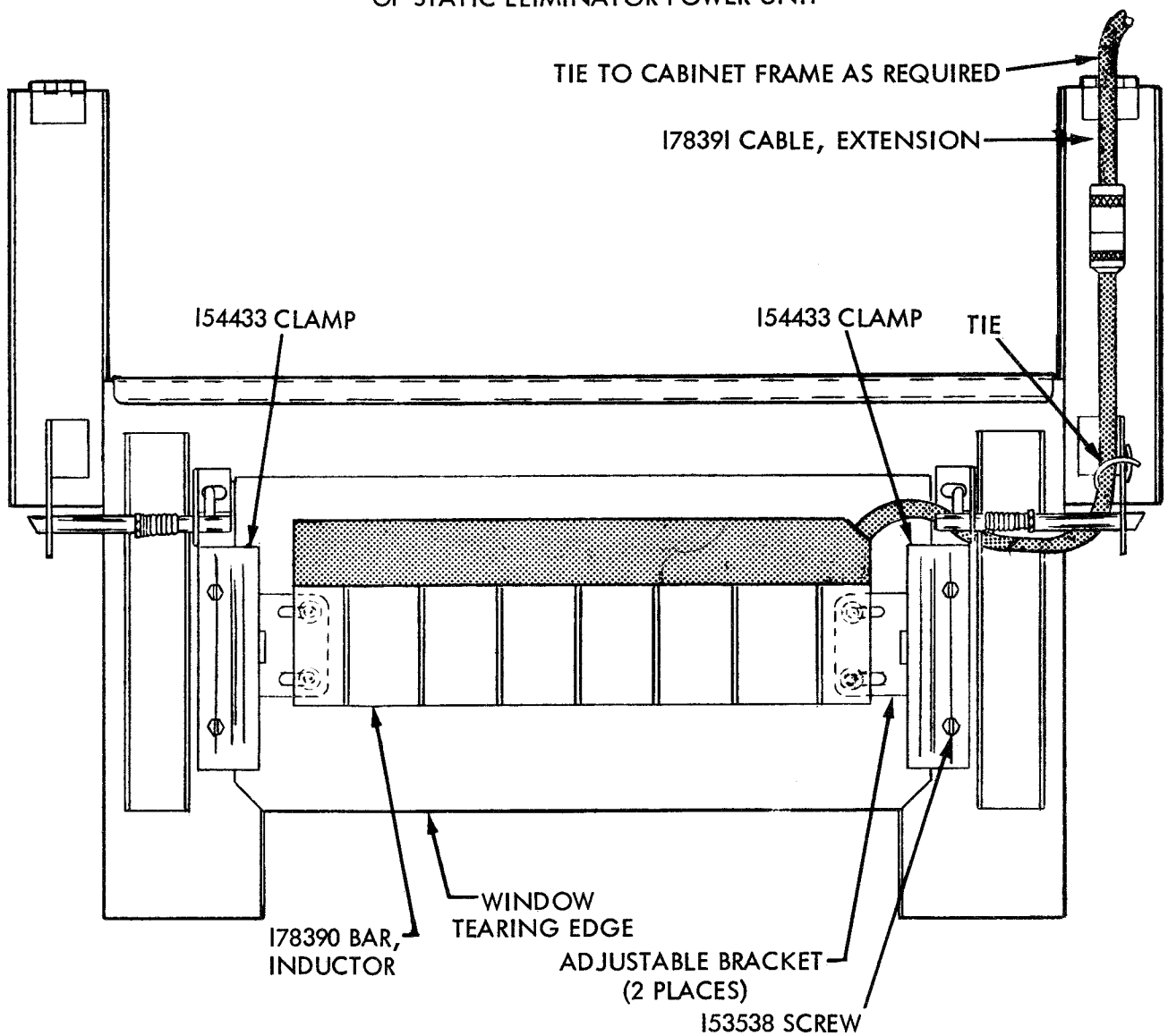


FIGURE 3. INDUCTOR BAR INSTALLED ON COVER OF LBAC 247** CABINET

