

INSTALLATION INSTRUCTIONS FOR THE 148135** MODIFICATION
KIT TO PROVIDE COVER FOR THE HIGH SPEED TAPE WINDER TW17

1. GENERAL

a. The 148135** Modification Kit provides a self-contained enclosure for the High Speed Tape Winder TW17 which makes it suitable for mounting on table tops or associated unit cabinets. This kit consists of the following parts:

1	148136**	Cover
1	148137**	Base

b. The double asterisks (**) represent a two-letter suffix which denotes the color of paint finish.

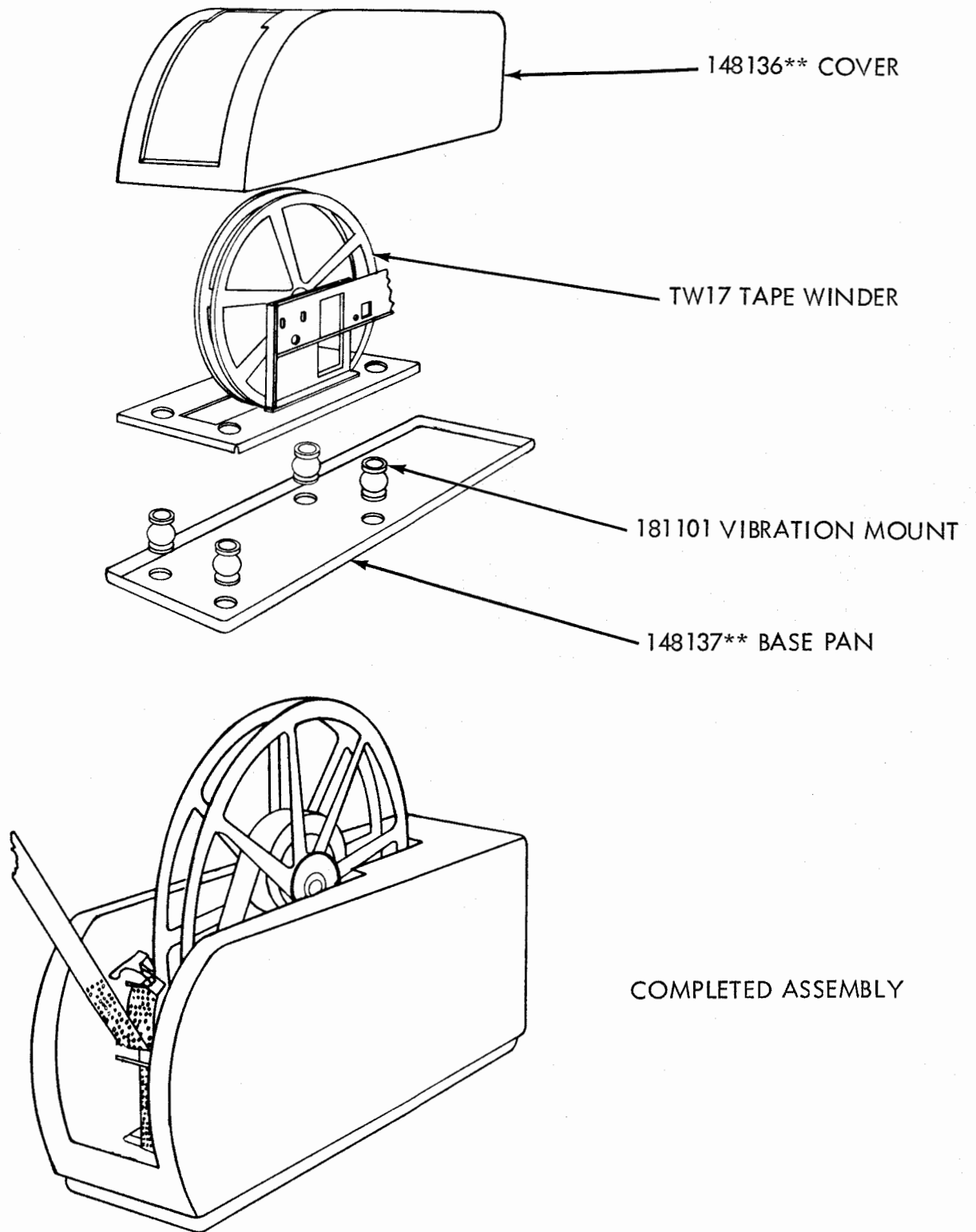
2. INSTALLATION

Insert the four bottom flanges of the vibration mounts on the tape winder into the four holes of the base pan as follows: Invert the winder and insert the vibration mount flanges into the base pan holes using a screwdriver. A drop of oil on each flange surface will permit easier assembly. Place the cover over the winder and rest it on the base pan. See Figure 1.

*

*

*



148135 MODIFICATION KIT: TO PROVIDE COVER FOR THE HIGH SPEED TAPE WINDER , TW17.

FIGURE 1