

35 TAPE PRINTER KEYBOARD (LTPK)

PARTS

FIGURE	CONTENTS	PAGE	FIGURE	CONTENTS	PAGE
1	Keyboard Base Mechanism	2	13	Signal Generator Front Plate Mechanism	13
2	Power Relay and Associated Apparatus	3	14	Signal Generator Rear Plate Mechanism	14
3	Casting Assembly	4	15	Signal Generator Rear Plate Contact Mechanism	15
4	Tape Container Mechanism (3/8" Tape)	5	16	176352 Contact Box Assembly	16
5	Universal Bail Mechanism	6	17	155990 Character Counter Assembly	17
6	Ball Lock Mechanism	6	18	144770 Intermediate Gear Assembly	18
7	Keyboard Mechanism	7	19	Connectors and Bracket	18
8	Lamp and Switch Brackets	8	20	Keytops and Keylevers	19
9	Codebar Mechanism (Non-Parity)	9	21	193882 Electrical Service Assembly	20
10	Codebar Mechanism (Even-Parity)	10	22	Cable Components	21
11	Signal Generator Frame Mechanism	11		Numerical Index	22
12	Signal Generator Shaft Mechanism	12			

TELETYPE TO BELL SYSTEM CODE CROSS REFERENCE CHART		
Unit Description	Teletype Code	Bell System Code
Tape Printer Keyboard	LTPK800**ATD	35A
	LTPK801**ATD	35B
	LTPK802**ATE	35C
	LTPK803**ATM	35A-X3
	LTPK804**ATM	35B-X3
	LTPK805**ATV	35C-X3

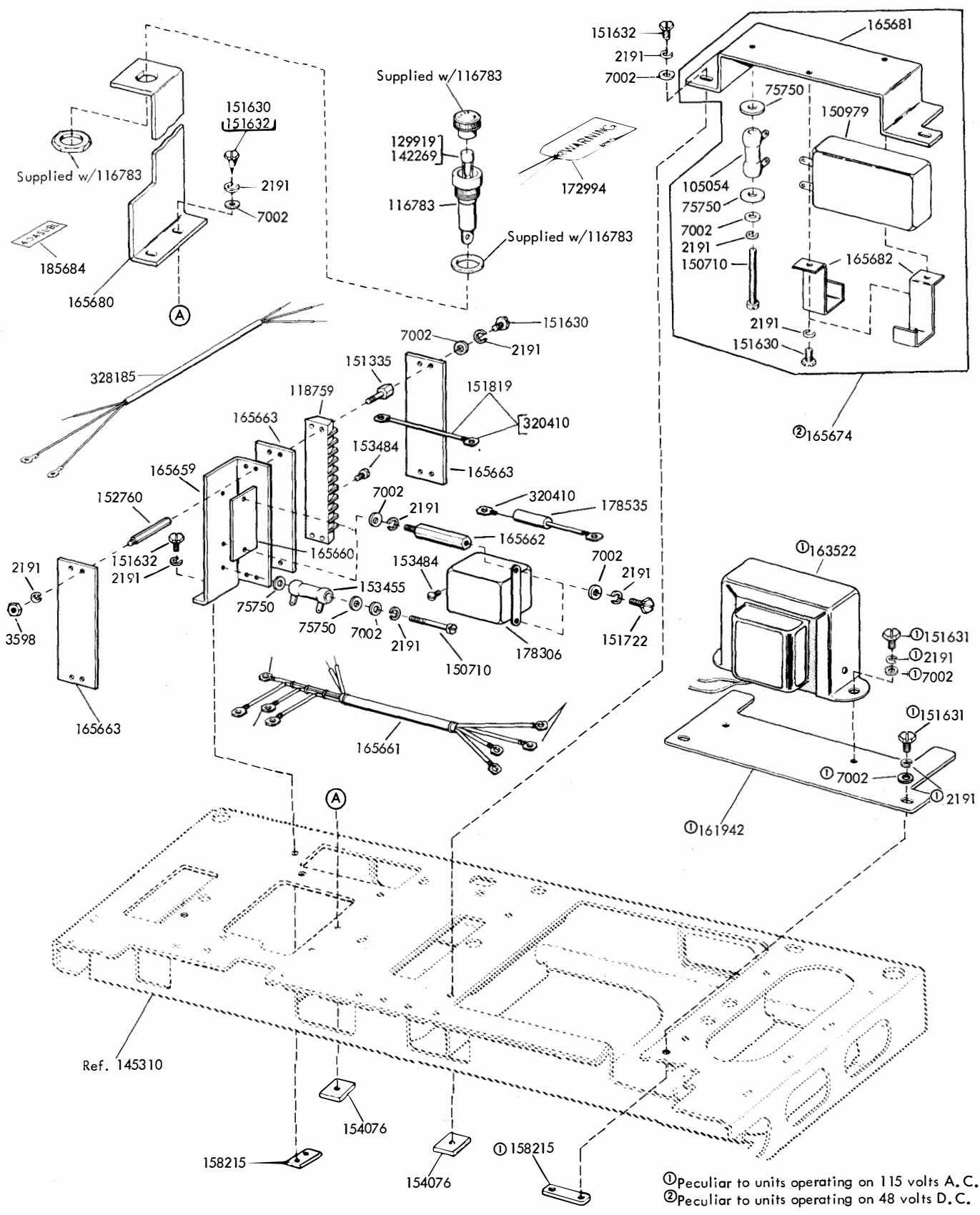
The part identification information contained in the following change notices have been incorporated in this issue.

TCN,s #1119, #1299, #1551

PAINT FINISH COLOR CODE CHART		
COLOR	Finish Suffixes	
	Textured Vinyl	Smooth Vinyl
Green Gray Light Gray Olive Gray	GA(45)	HB(68) HF(46)
The double asterisk(**) denotes a painted part. Suffix to be applied following the part number. Number in parentheses indicates Bell System Code.		

**NOTE:** When ordering parts from this section, prefix each number with the letters TP.





① Peculiar to units operating on 115 volts A.C.  
 ② Peculiar to units operating on 48 volts D.C.

FIGURE 2. POWER RELAY AND ASSOCIATED APPARATUS

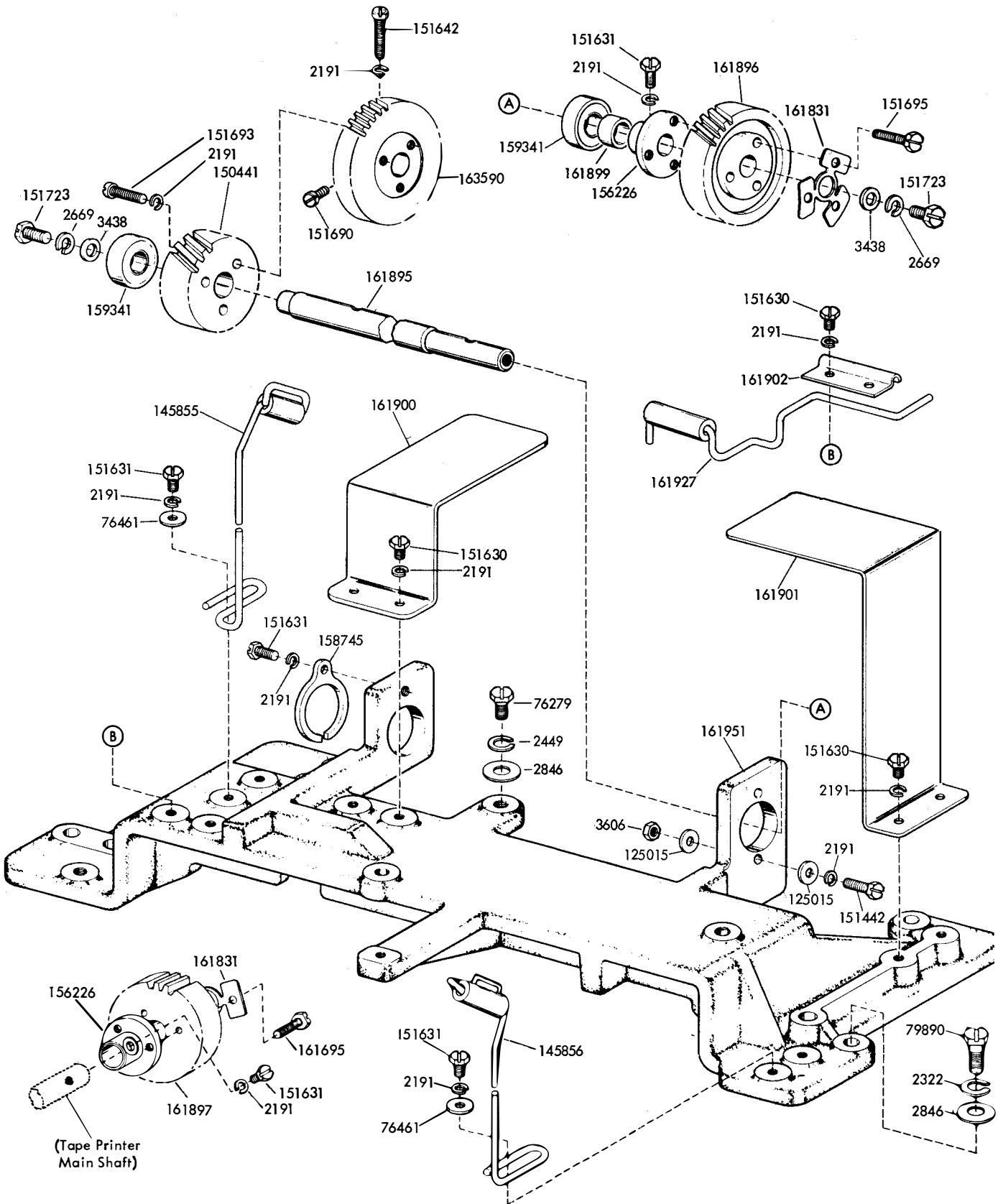


FIGURE 3. CASTING ASSEMBLY

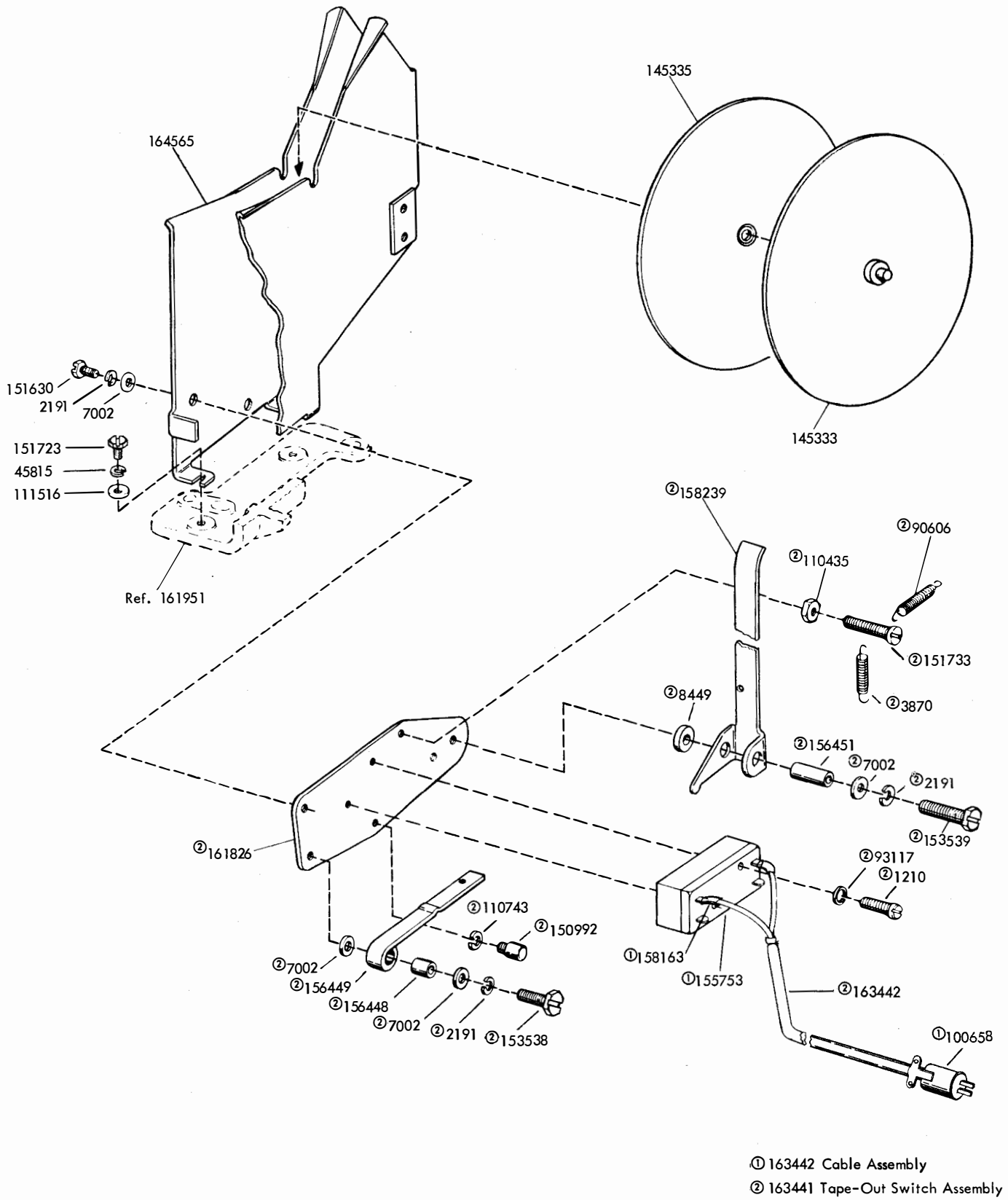


FIGURE 4. TAPE CONTAINER MECHANISM (3/8" Tape)

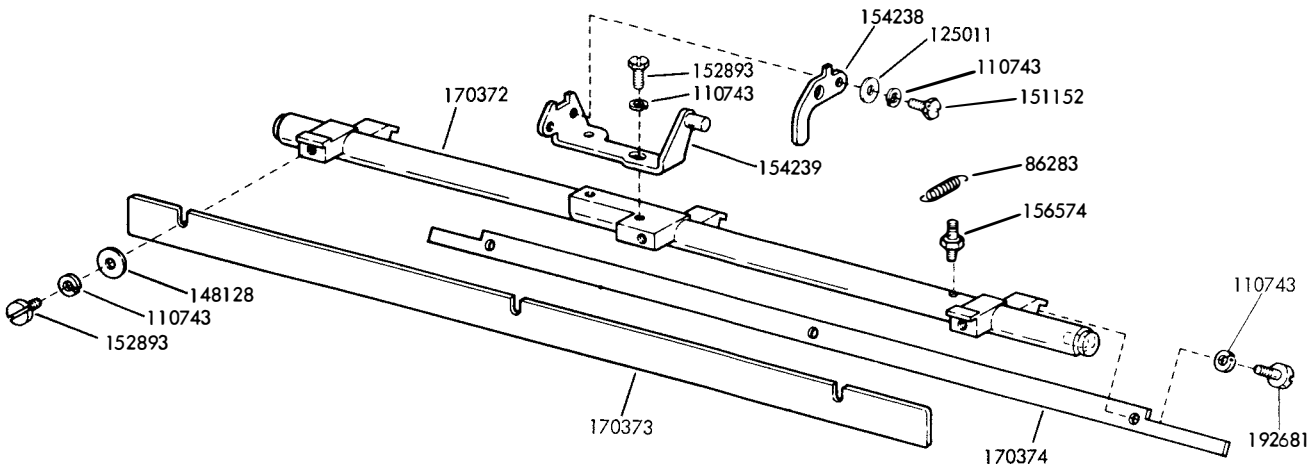
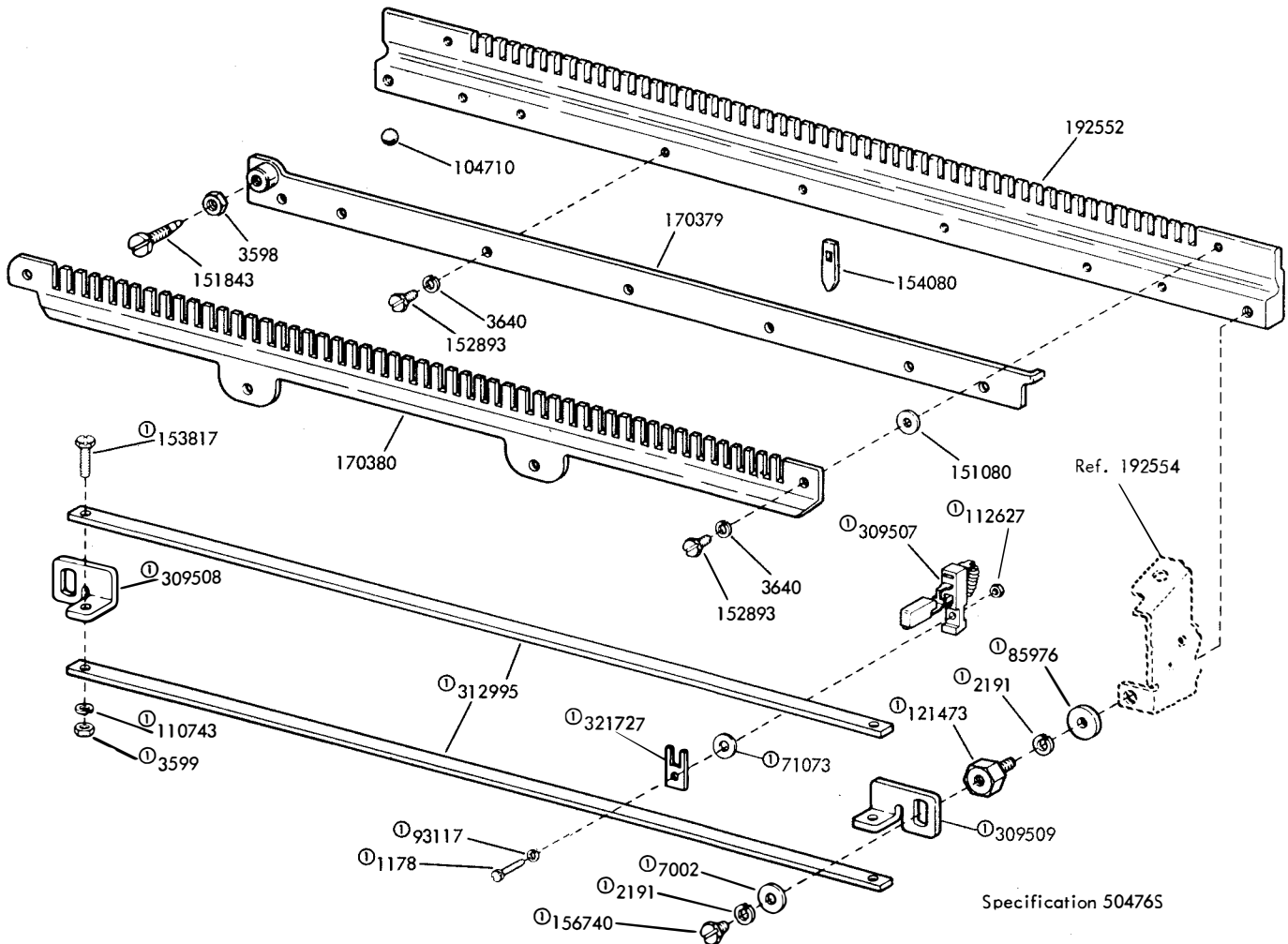
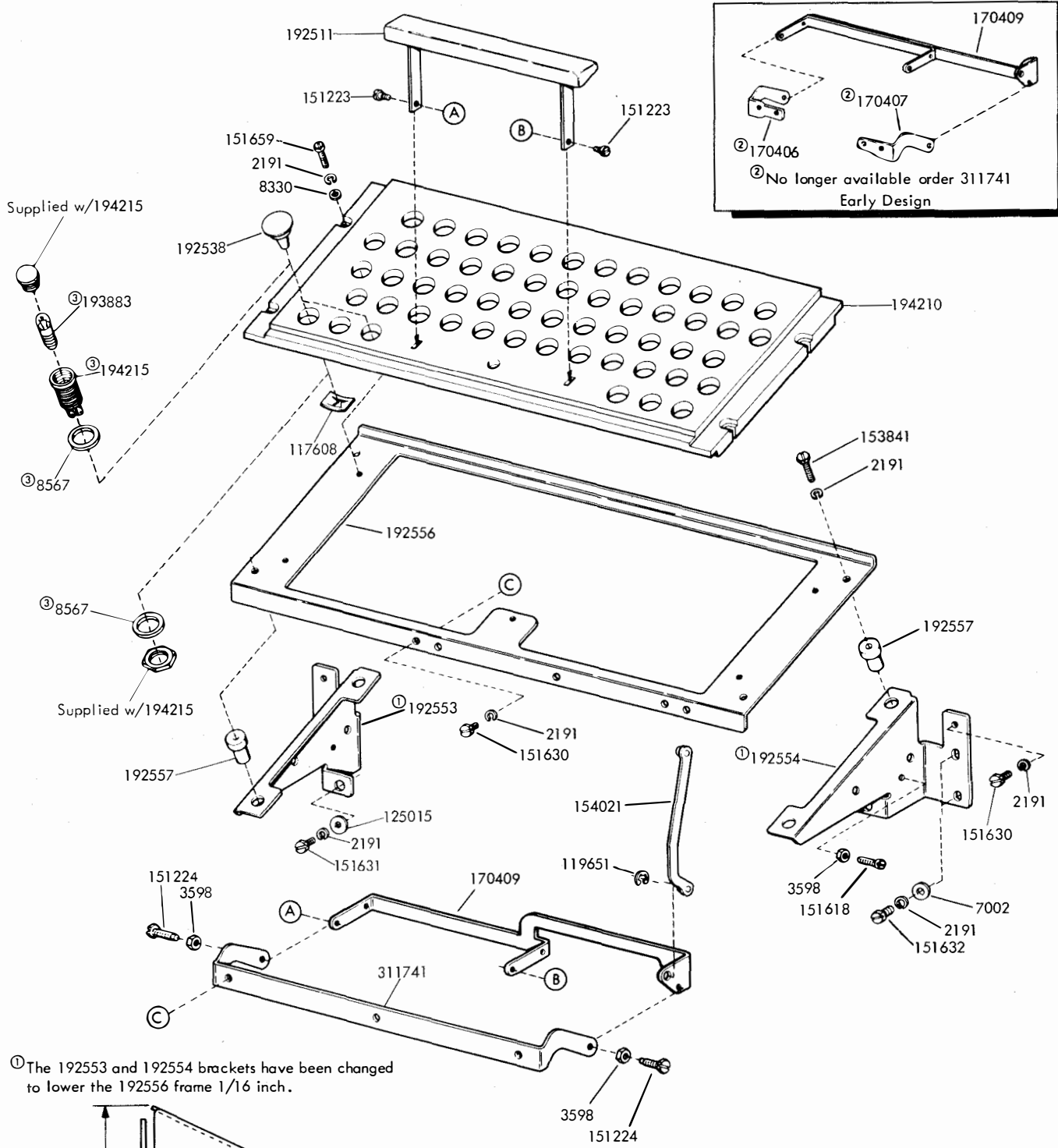


FIGURE 5. UNIVERSAL BAIL MECHANISM



① 312994 Modification Kit to Provide Universal Keyboard Switch Mechanism

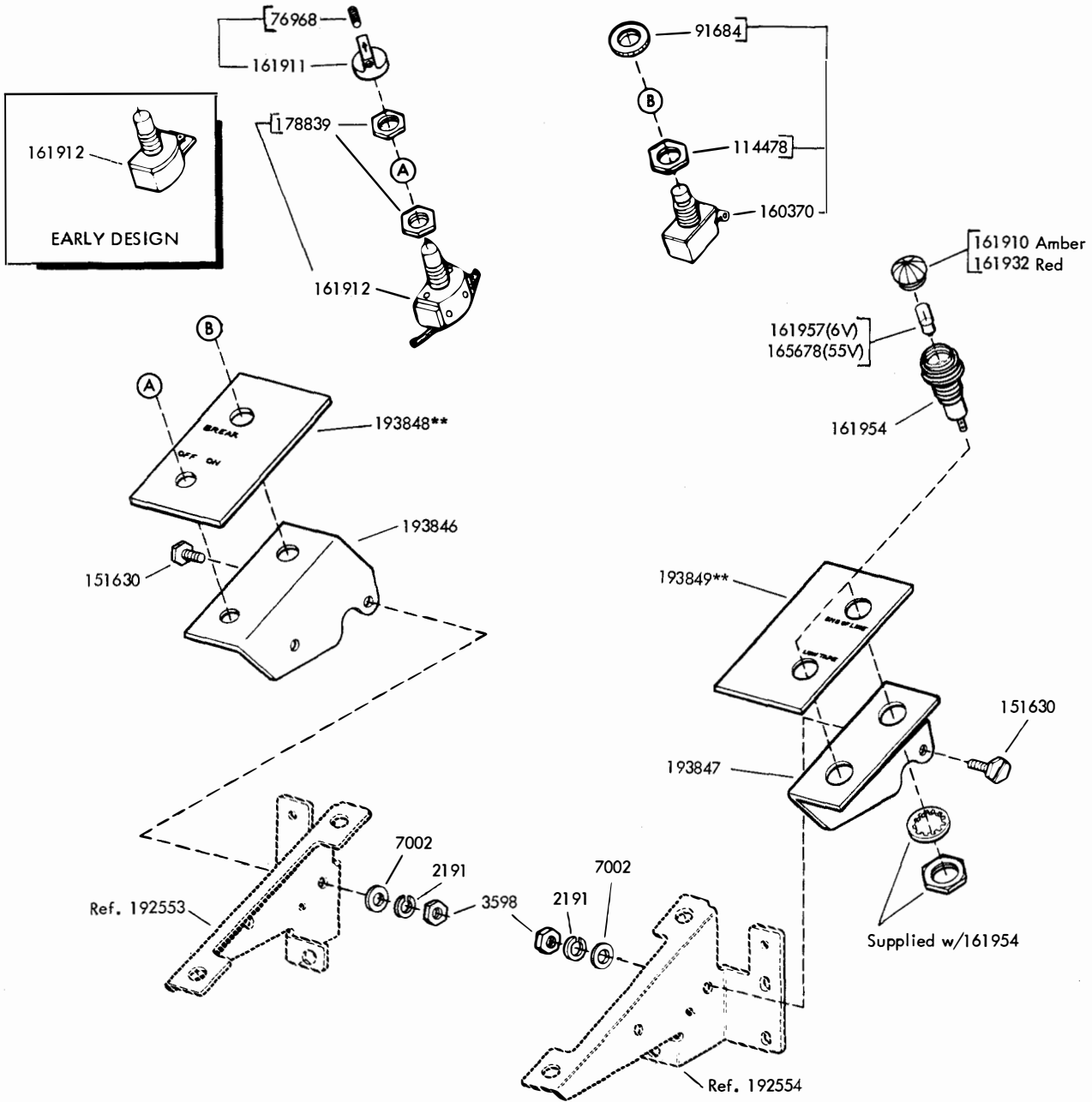
FIGURE 6. BALL LOCK MECHANISM



"A" = approx. 2.479 inches (New Style)  
 "A" = approx. 2.541 inches (Old Style)  
 New and Old Style brackets are interchangeable only in pairs.

③ Peculiar to units used with Timing Contact

FIGURE 7. KEYBOARD MECHANISM



\*\*Refer to page 1 for finish suffix

FIGURE 8. LAMP AND SWITCH BRACKETS



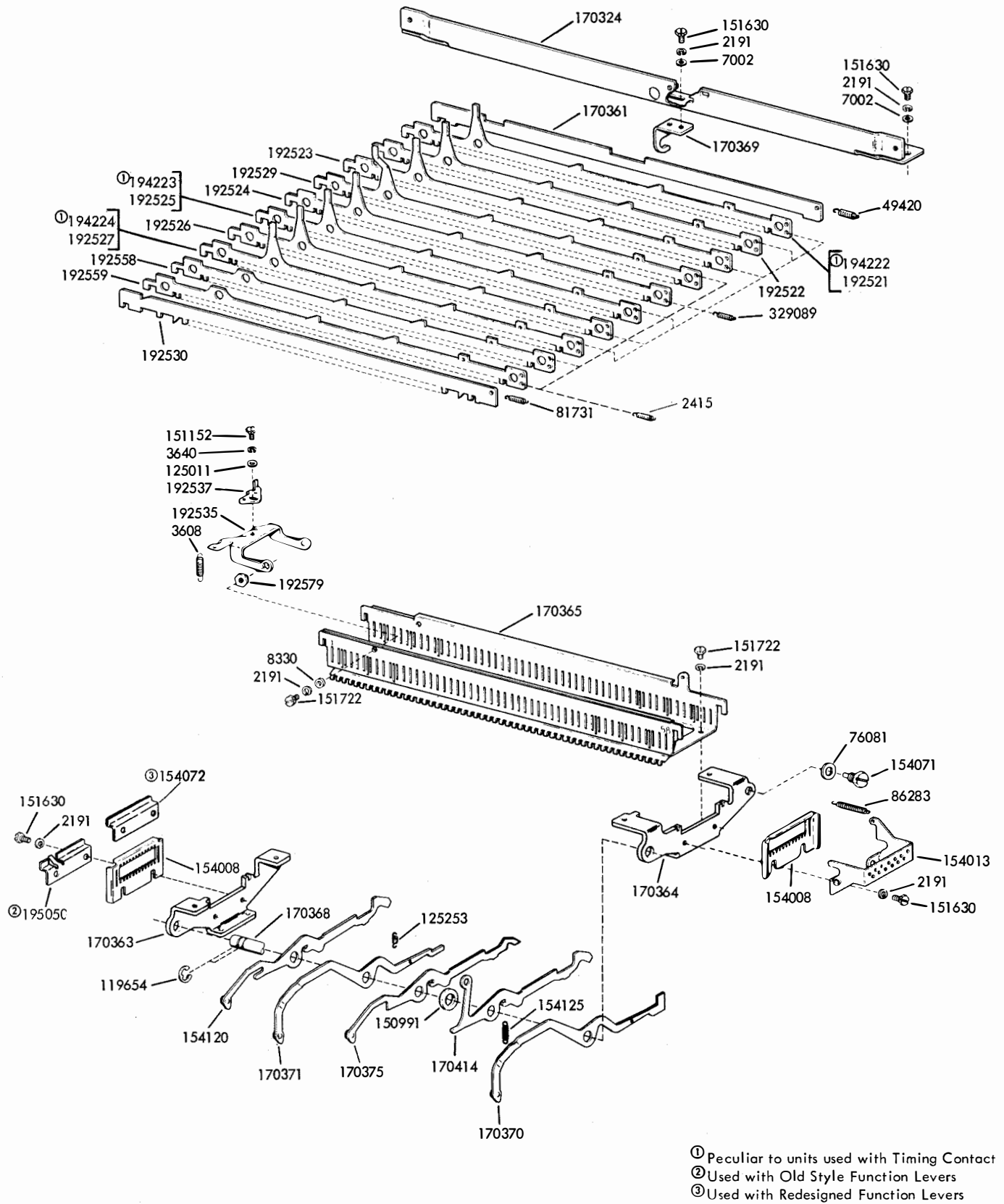


FIGURE 9. CODEBAR MECHANISM (Non-Parity)

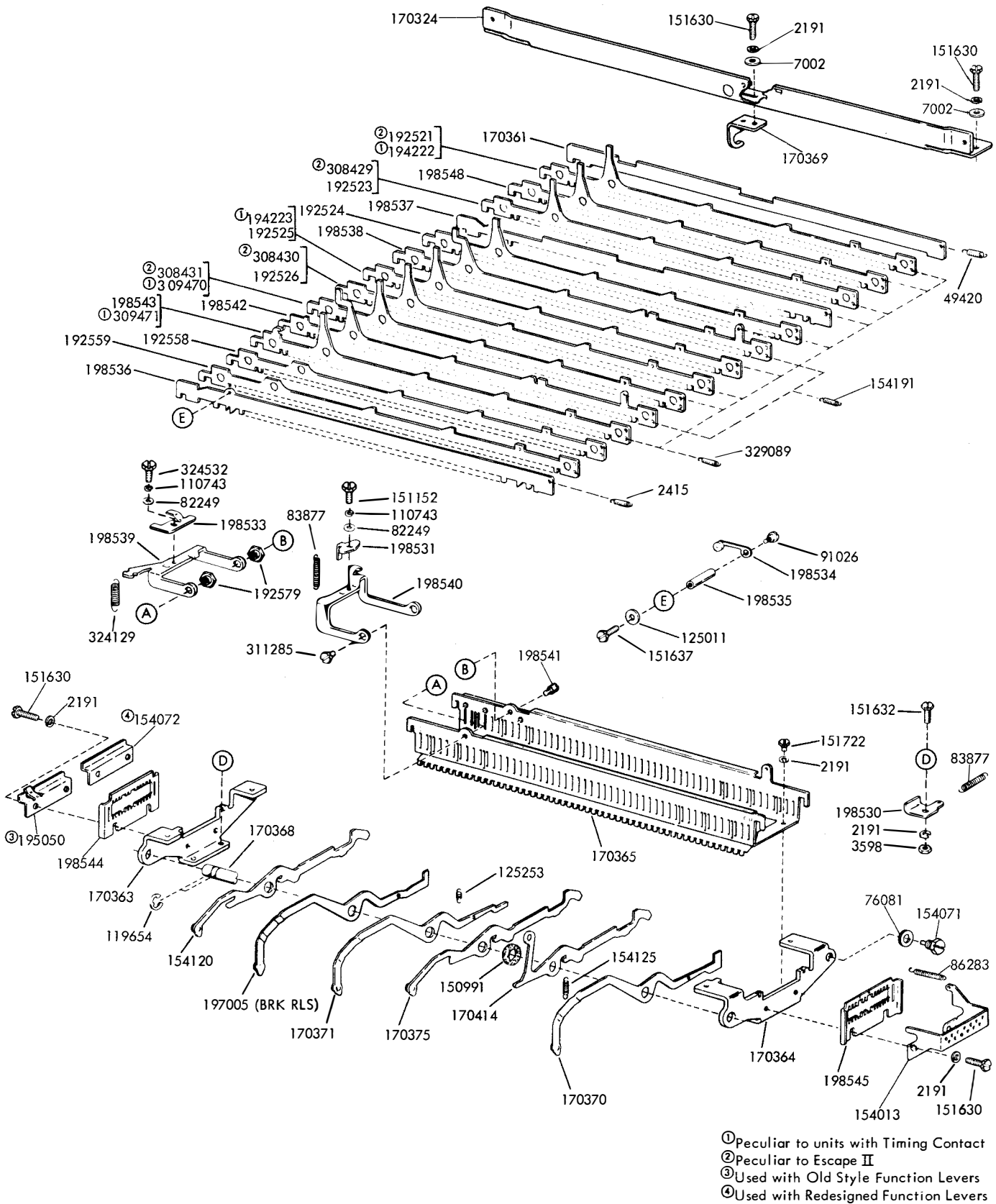


FIGURE 10. CODEBAR MECHANISM (Even-Parity)

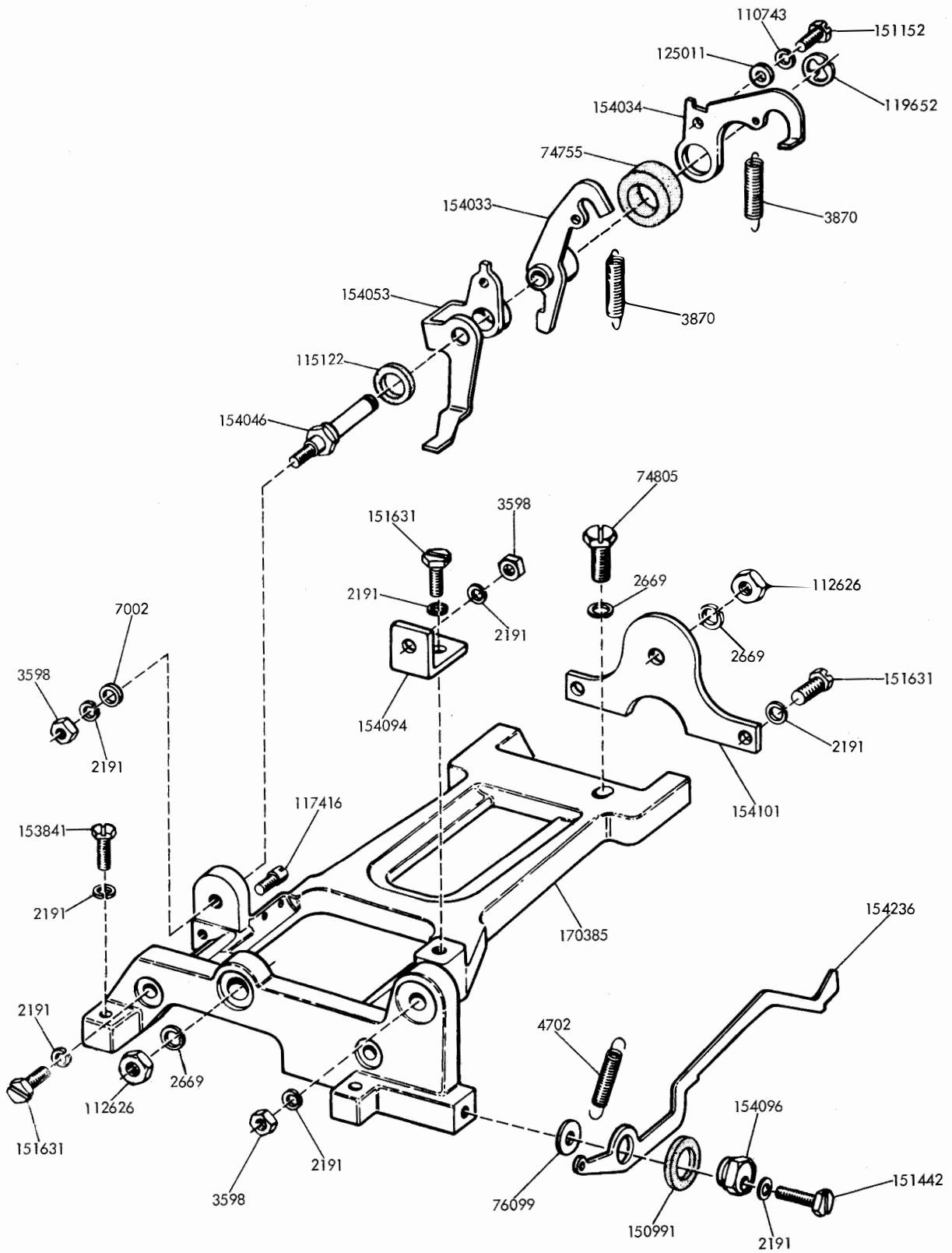


FIGURE 11. SIGNAL GENERATOR FRAME MECHANISM

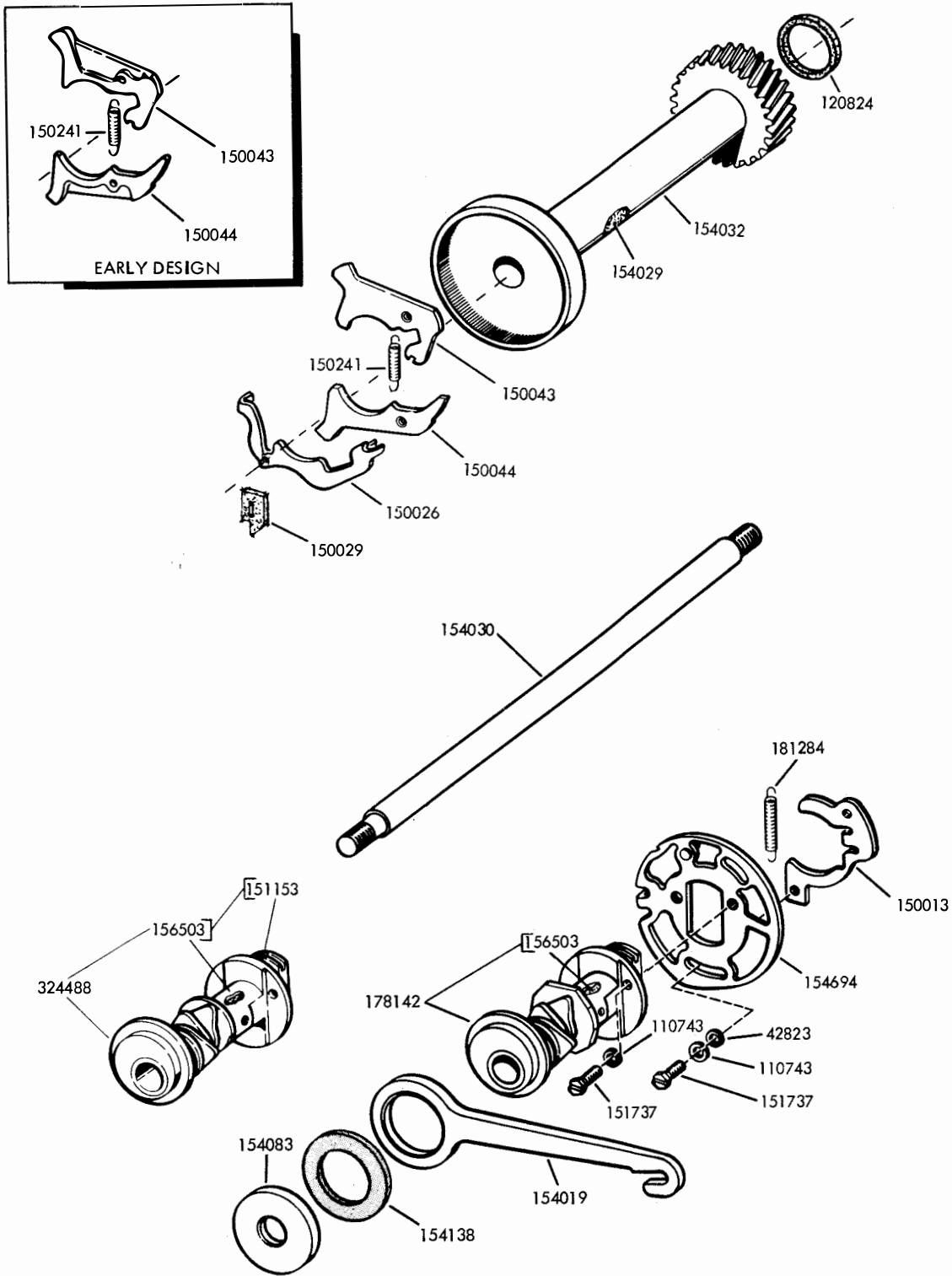


FIGURE 12. SIGNAL GENERATOR SHAFT MECHANISM

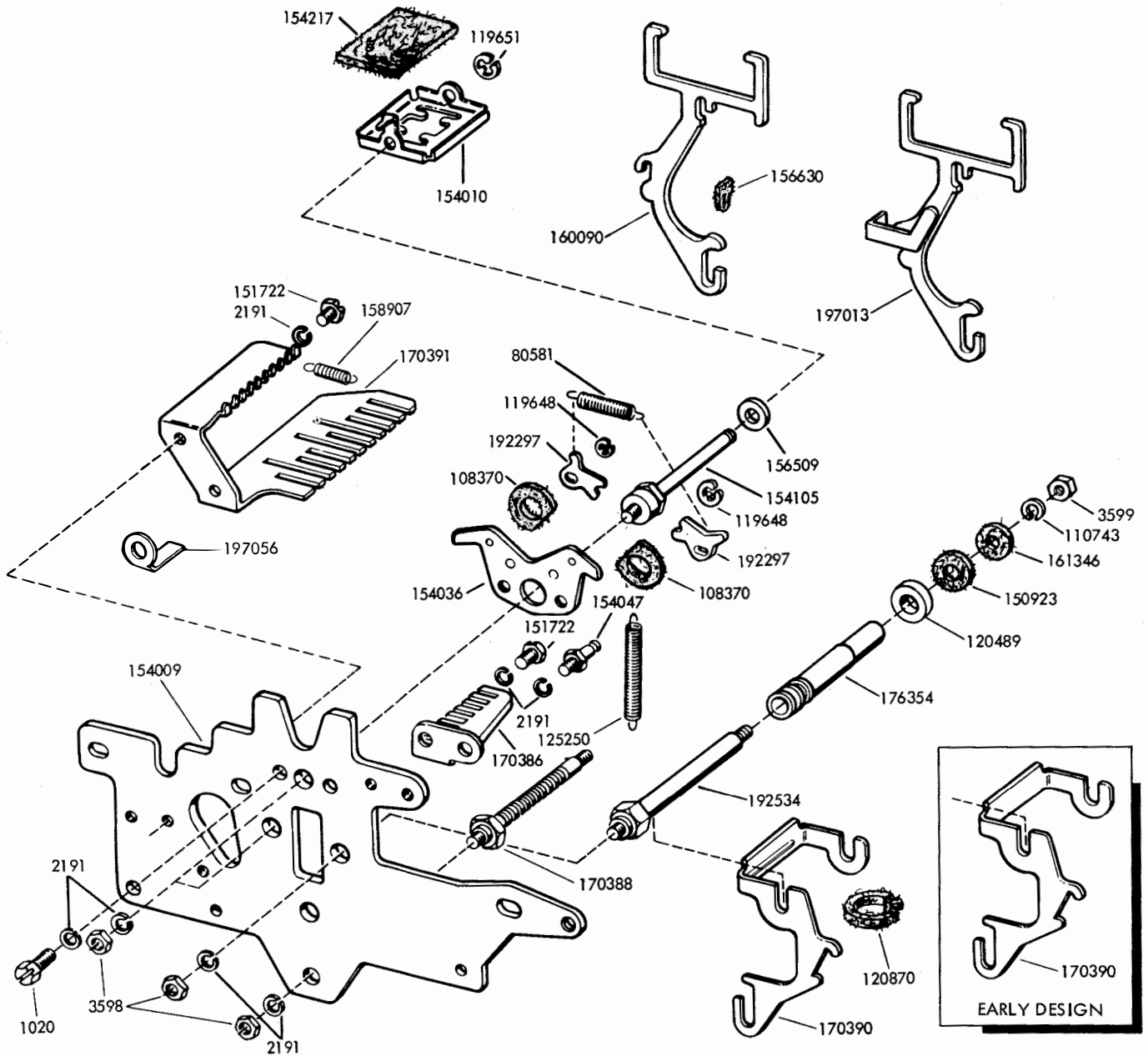


FIGURE 13. SIGNAL GENERATOR FRONT PLATE MECHANISM

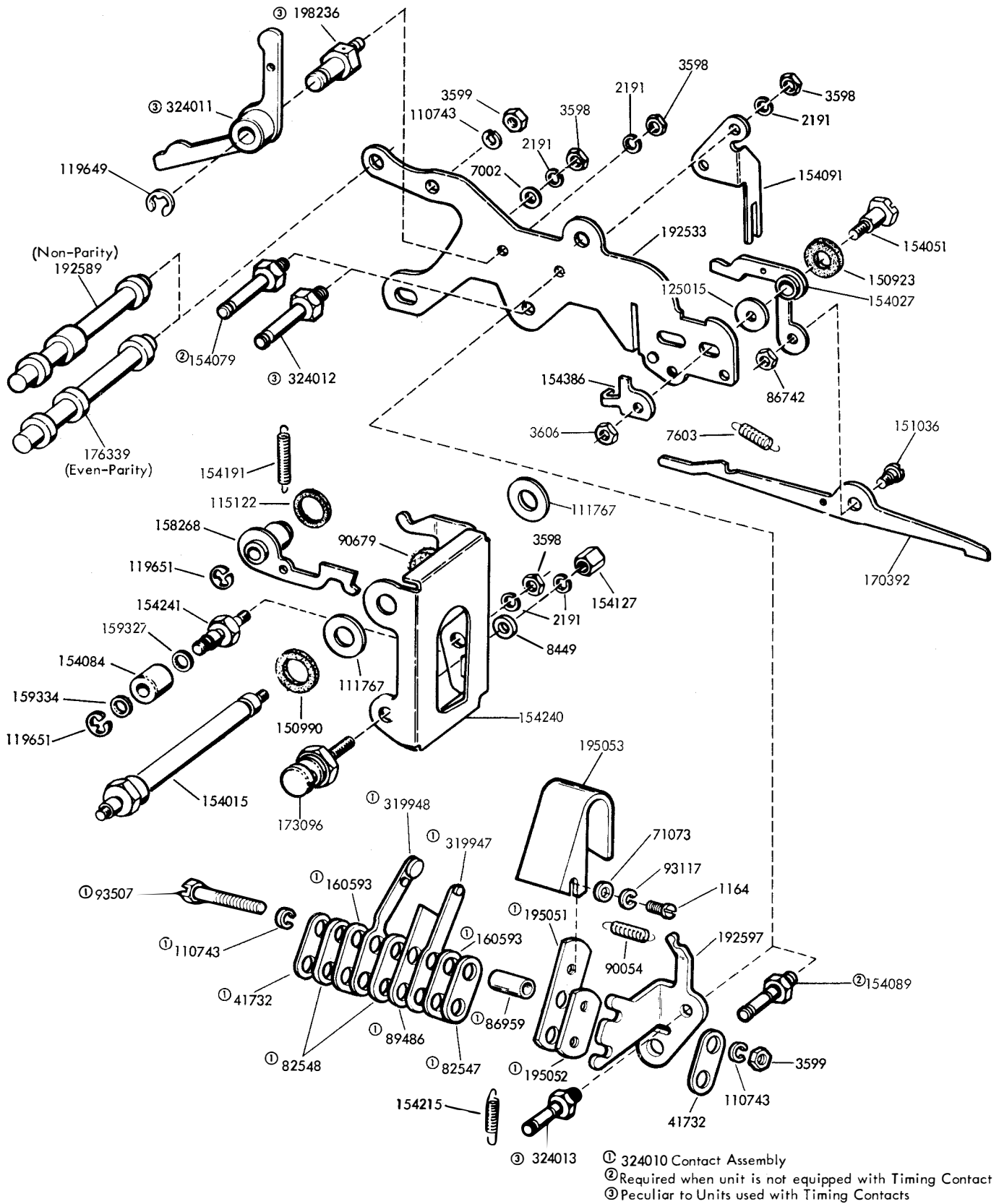


FIGURE 14. SIGNAL GENERATOR REAR PLATE MECHANISM

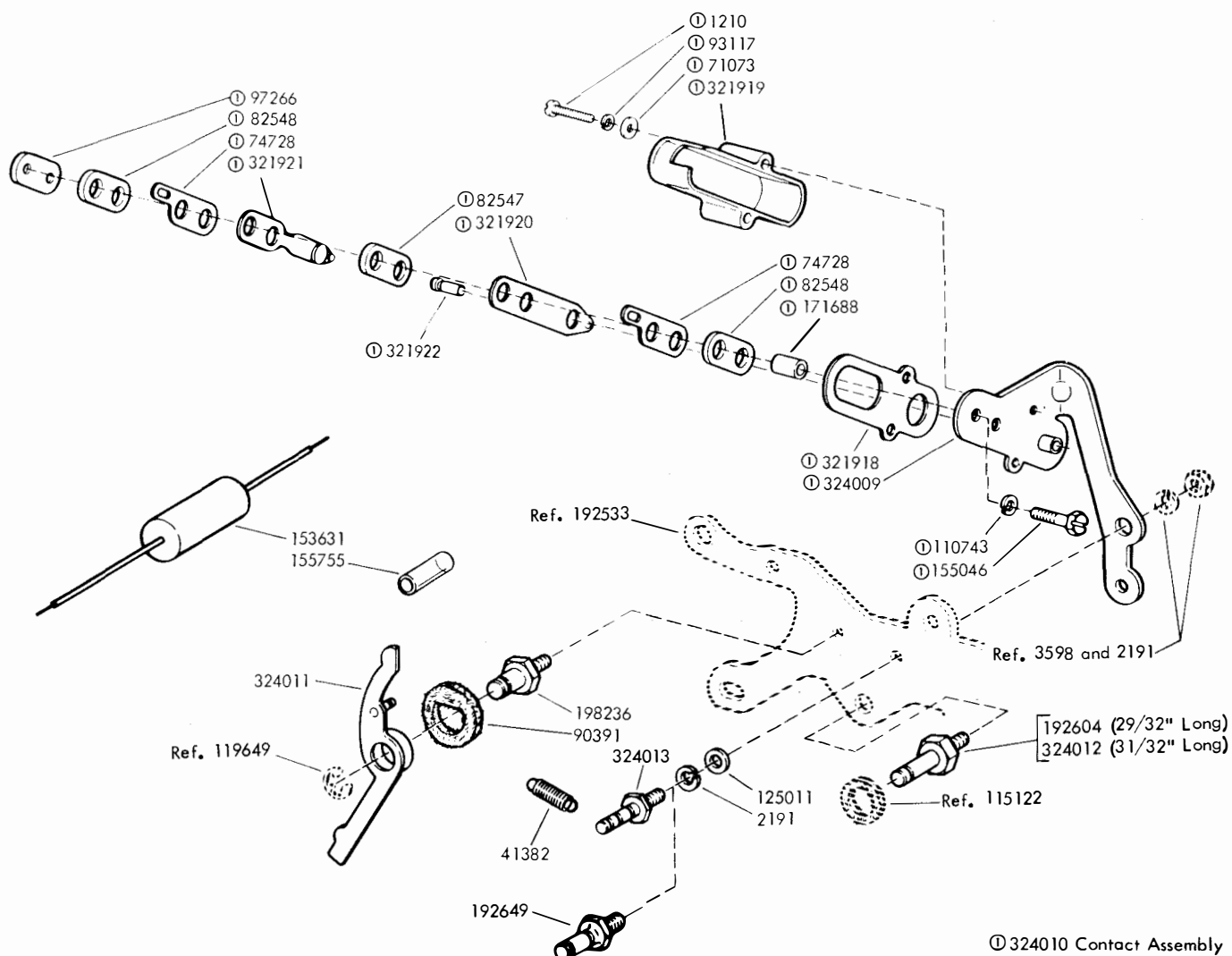
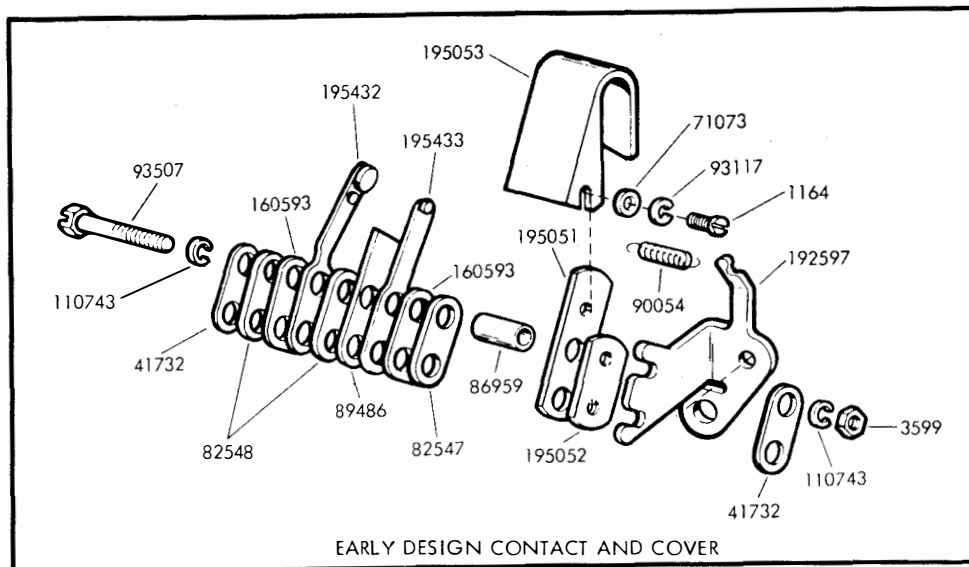


FIGURE 15. SIGNAL GENERATOR REAR PLATE CONTACT MECHANISMS

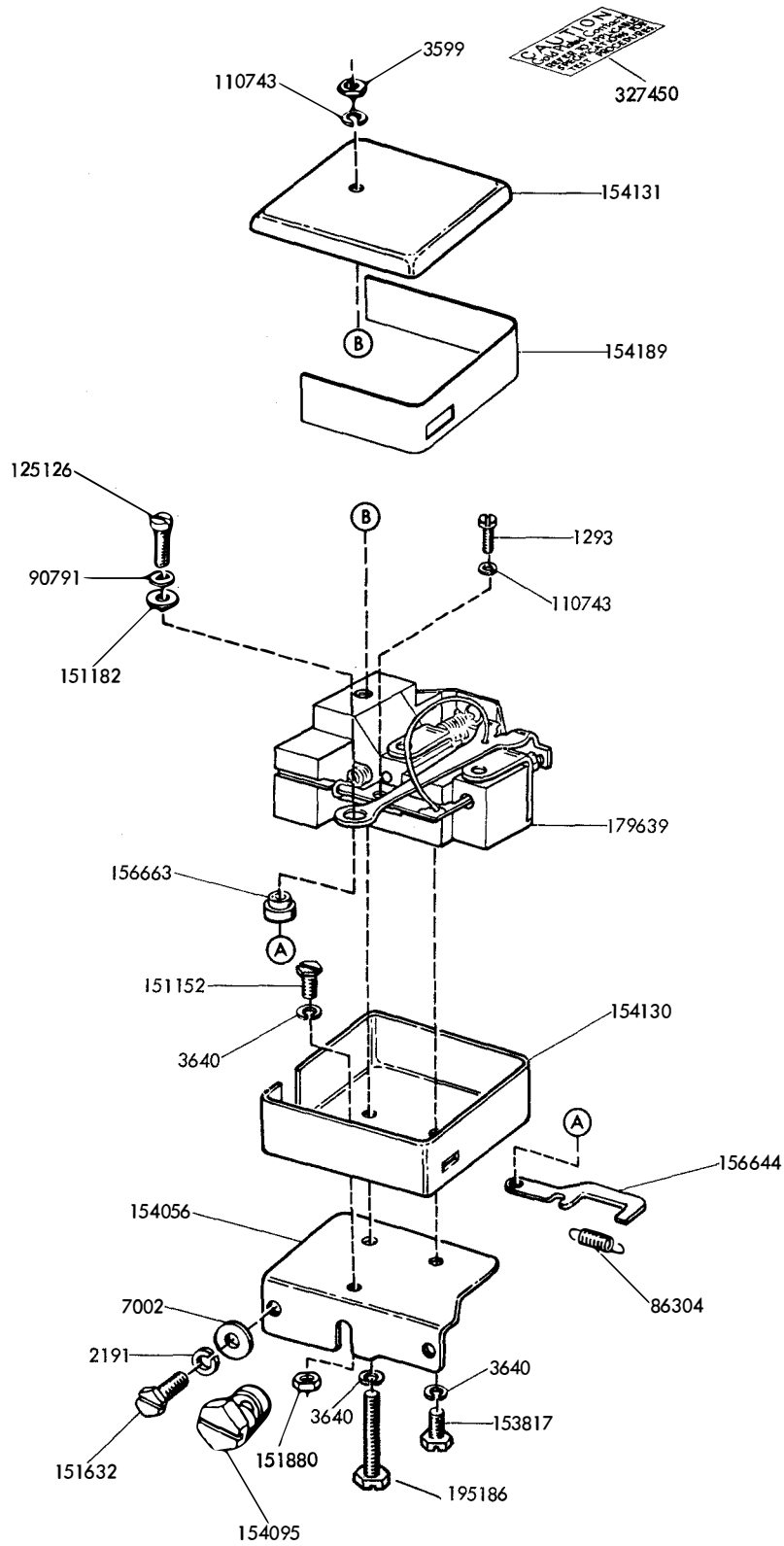
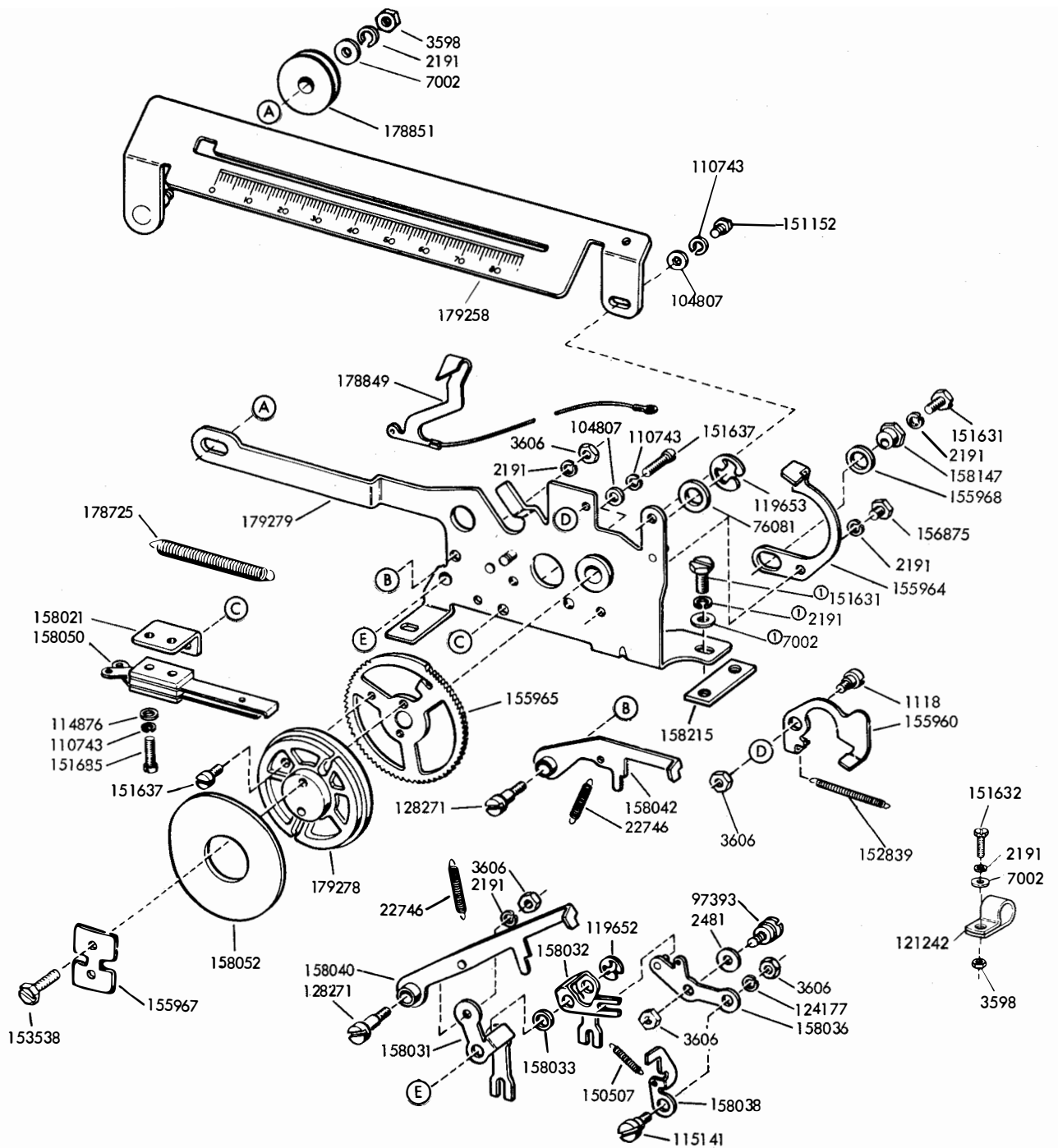


FIGURE 16. 176352 CONTACT BOX ASSEMBLY





Ⓞ Not part of 155990

FIGURE 17. 155990 CHARACTER COUNTER ASSEMBLY

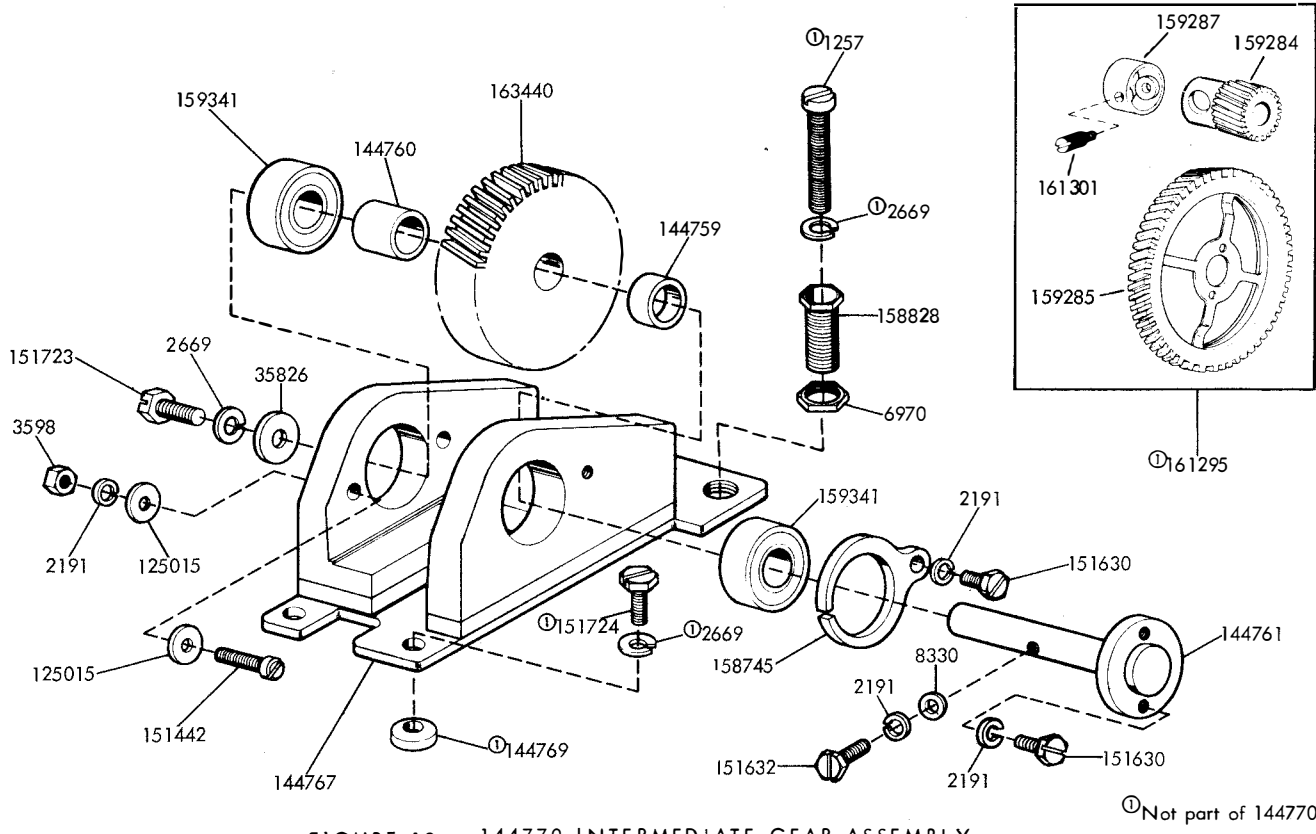


FIGURE 18. 144770 INTERMEDIATE GEAR ASSEMBLY

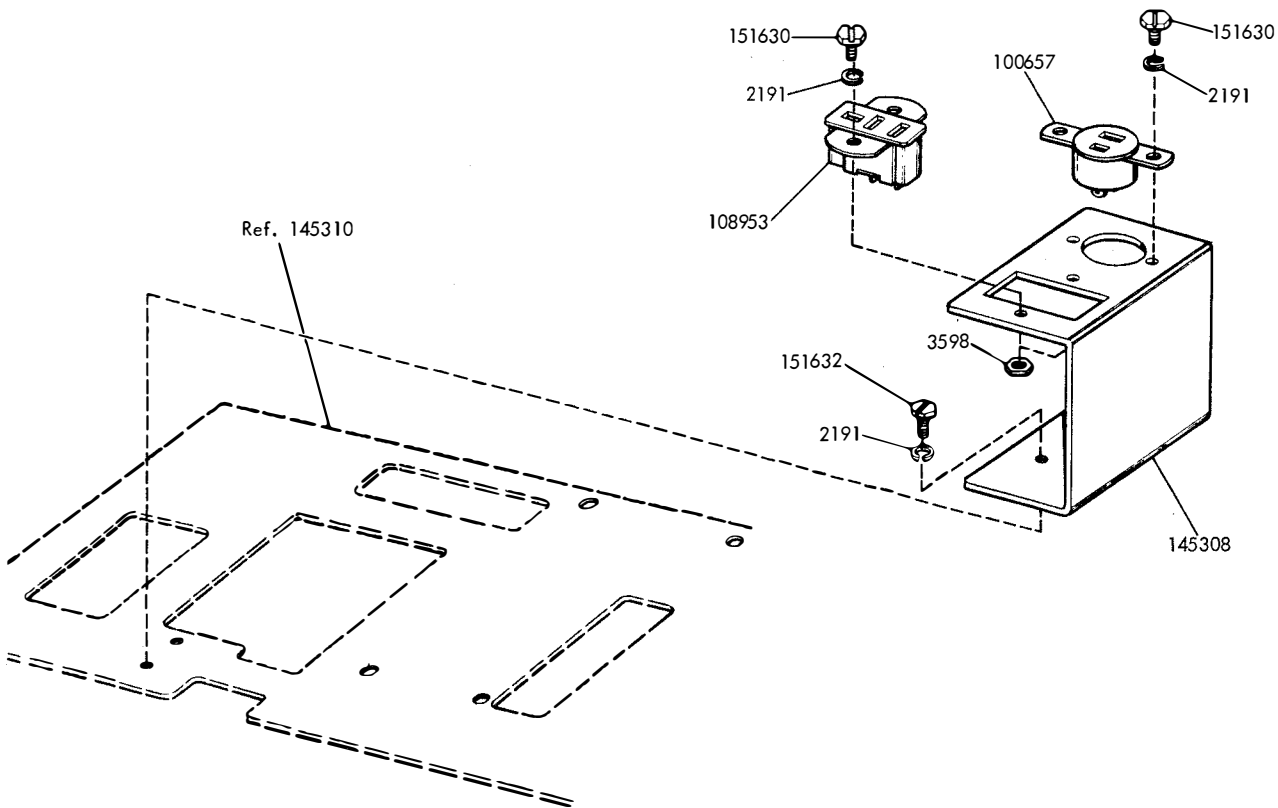


FIGURE 19. CONNECTORS AND BRACKET

KEYTOP DESCRIPTION	PART NO.	KEYTOP DESCRIPTION	PART NO.	KEYTOP DESCRIPTION	PART NO.
1 !	180160	I TAB	180178	Y	180176
2 "	180161	J	180187	Z	180190
3 #	180162	K VT	180188	: *	180205
4 \$	180163	L FORM	180189	- =	180170
5 %	180164	L \	194227	; +	180199
6 &	180165	M	180196	/ \	180197
7 ' .	180166	N ↑	180195	. V	180198
8 (	180167	O ←	180179	/ ?	180200
9 )	180168	P @	180180	RUB OUT	180201
0	180169	Q	180171	RE- TURN	180202
A	180181	R TAPE	180174	LINE FEED	180203
B	180194	S X OFF	180182	ALT MODE	180257
C	180192	T TAPE	180175	CNFM	194226
D EOT	180183	U	180177	CTRL	192299
E WRU	180173	V	180193	SHIFT	192510
F RU	180184	W	180172	REPT	①151254
G BELL	180185	X	180191	LOC LF	151249
H	180186			LOC CR	151250

① Red Keytops, All Other Keytops Are Gray

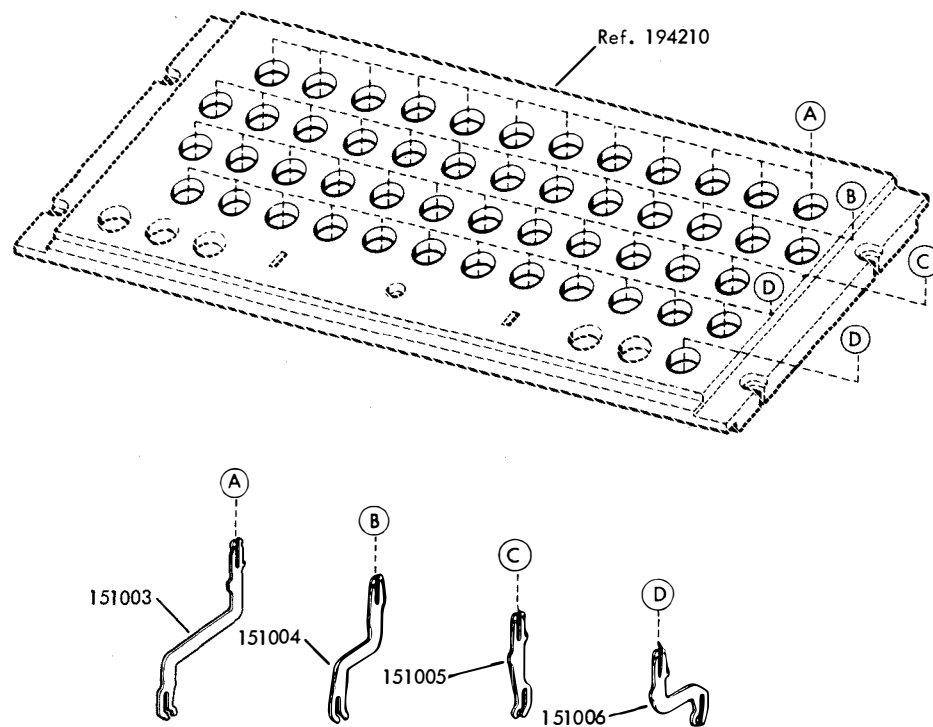


FIGURE 20. KEYTOPS AND KEYLEVERS

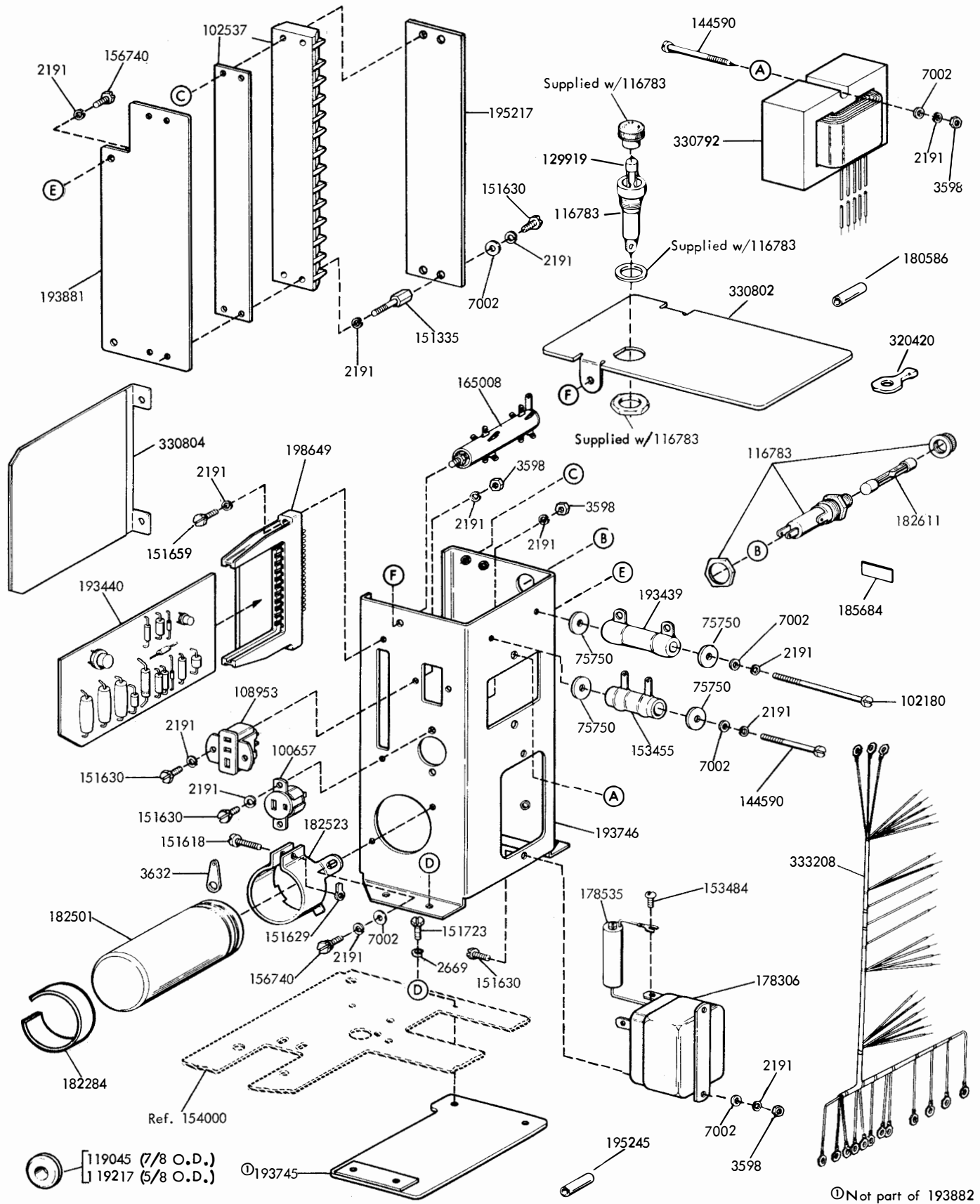
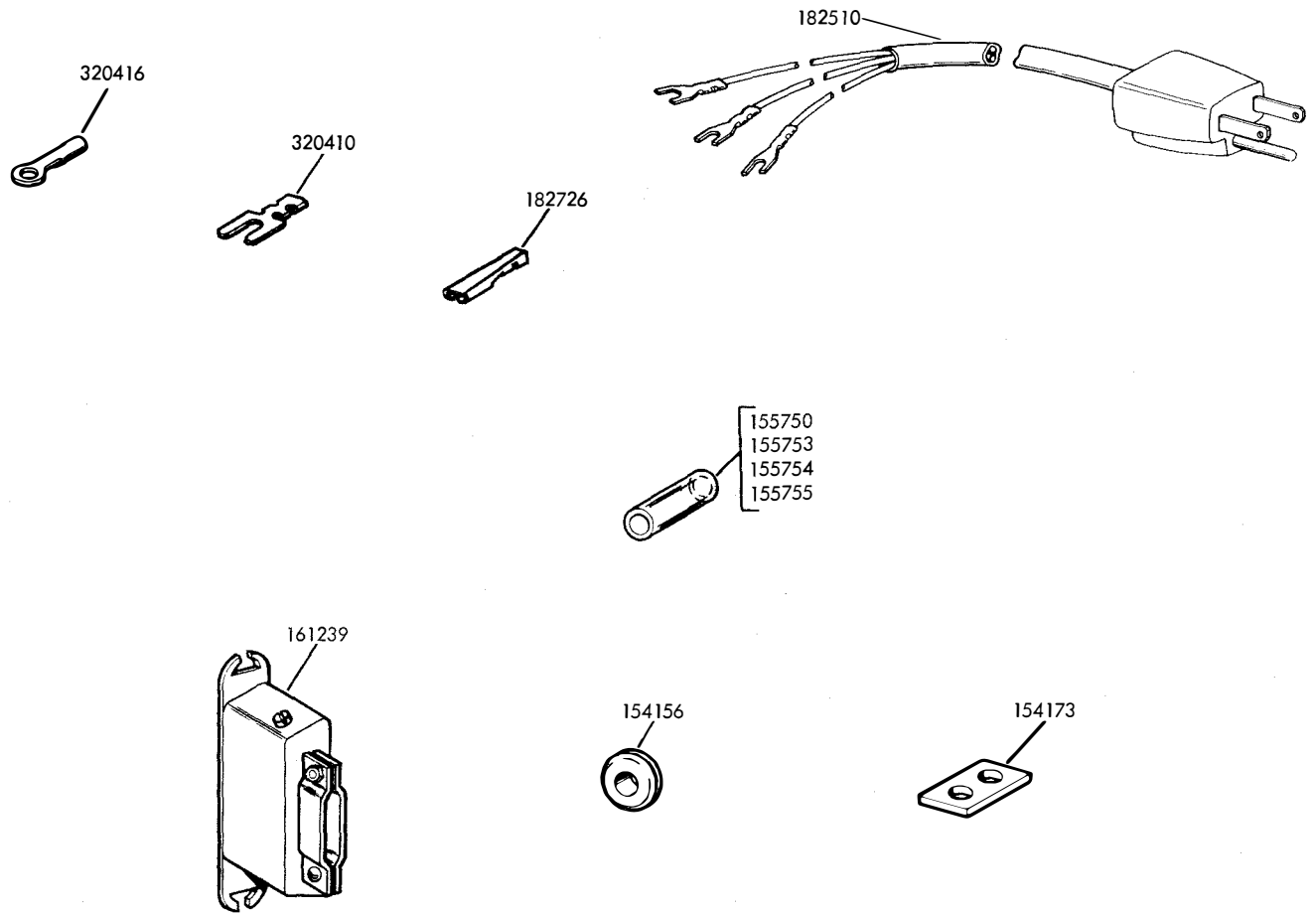


FIGURE 21. 193882 ELECTRICAL SERVICE ASSEMBLY



TAPE PRINTER KEYBOARD CABLE ASSEMBLIES						
COMPONENTS	PART NO.	193827	193838	193841	333209	194217
CONNECTORS	161239	X	X			X
TERMINALS	320416	X	X		X	
	320410	X	X	X	X	X
	182726			X		
PLATE	154173	X	X		X	
GROMMET	154156	X	X		X	

FIGURE 22. CABLE COMPONENTS

## NUMERICAL INDEX

Part Number	Description and Page Number	Part Number	Description and Page Number	Part Number	Description and Page Number
1020	Screw, 6-40 x 1/4 Hex 13	76099	Washer, Flat 11	112627	Nut, 2-56 Hex 6
1118	Screw, 6-40 Shoulder 17	76279	Screw, 1/4-32 x 5/8 Hex 4	114478	Nut, 15/32-32 Hex 8
1164	Screw, 2-56 x 3/16 Fil 14, 15	76461	Washer, Flat 4	114876	Washer, Flat 17
1178	Screw, 2-56 x 7/16 Fil 6	76968	Setscrew, 6-32 8	115122	Washer, Felt 11,14,15
1210	Screw, 2-56 x 5/8 Fil 5, 15	79890	Screw, 1/4-32 x 7/8 Hex 4	115141	Screw, 6-40 Shoulder 17
1257	Screw, 10-32 x 1-1/8 Fil 18	80581	Spring 13	116783	Holder, Fuse 3,20
1293	Screw, 4-40 x 1/8 Fil 16	81731	Spring 9	117416	Post 11
2191	Lockwasher 2 to 11, 13 to 18, 20	82249	Washer, Flat 10	117608	Nut, Speed 7
2322	Lockwasher 4	82547	Insulator, .094" Thk 14, 15	118759	Block, Terminal 3
2415	Spring 9,10	82548	Insulator, .062" Thk 14, 15	119045	Grommet, Rubber 20
2449	Lockwasher 4	83877	Spring 10	119217	Grommet, Rubber 20
2481	Washer, Flat 17	85976	Washer, Flat 6	119648	Ring, Retaining 13
2669	Lockwasher 2,4,11,18,20	86283	Spring 6,9,10	119649	Ring, Retaining 14,15
2846	Washer, Flat 4	86304	Spring 16	119651	Ring, Retaining 7,13,14
3438	Washer, Flat 2,4	86742	Nut, 4-40 Hex 14	119652	Ring, Retaining 11,17
3598	Nut, 6-40 Hex 2,3,6,7,8, 10,11,13,14,15,17,18,20	86959	Bushing, Insulating 14,15	119653	Ring, Retaining 17
3599	Nut, 4-40 Hex 6,13,14,15, 16	89486	Stiffener 14,15	119654	Ring, Retaining 9,10
3606	Nut, 6-40 Hex 4,14,17	90054	Spring 14,15	120489	Spacer, .052" Thk 13
3608	Spring 9	90391	Washer, Felt 15	120824	Washer, Felt 12
3632	Terminal 20	90606	Spring 5	120870	Wick, Felt 13
3640	Lockwasher 6,9,16	90679	Washer, Felt 14	121242	Clamp, 1/8 ID Cable 17
3870	Spring 5,11	90791	Lockwasher 16	121243	Clamp, 3/16 ID Cable 2
4702	Spring 11	91026	Screw, 4-40 Shoulder 10	121244	Clamp, 1/4 ID Cable 2
6970	Nut, 3/8-32 Hex 18	91684	Nut, 15/32-32 Ring 8	121245	Clamp, 5/16 ID Cable 2
7002	Washer, Flat 2,3,5 to 11, 14,16,17,20	92260	Lockwasher 2	121473	Post 6
7603	Spring 14	93117	Lockwasher 5,6,14,15	124177	Lockwasher 17
8330	Washer, Flat 7,9,18	93507	Screw, 4-40 x 3/4 Hex 14, 15	125011	Washer, Flat 6,9,10,11,15
8449	Spacer, .094" Thk 5,14	97266	Plate, Clamp 15	125015	Washer, Flat 4,7,14,18
8567	Washer, Flat 7	97393	Screw, 6-40 Shoulder 17	125126	Screw, 2-56 x 9/32 Fil 16
22746	Spring 17	100657	Connector, 2 Pt Receptacle 18,20	125250	Spring 13
35826	Washer, Flat 18	100658	Connector, 2 Pt Plug 5	125253	Spring 9,10
41382	Spring 15	102180	Screw, 6-40 x 1-15/16 Fil 20	128271	Screw, 6-40 Shoulder 17
41732	Plate, Clamp 14,15	102537	Block, Terminal 20	129919	Fuse, SL-BL 4 Amp 3,20
42823	Washer, Flat 12	104710	Ball, Bearing 6	142269	Fuse, SL-BL 3 Amp 3
45815	Lockwasher 5	104807	Washer, Flat 17	144590	Screw, 6-40 x 1-3/8 Fil 20
49420	Spring 9,10	105054	Resistor, 5 Ohm 3	144759	Spacer, .187" Thk 18
71073	Washer, Flat 6,14,15	108370	Washer, Felt 13	144760	Spacer, .400" Thk 18
74728	Terminal, Contact 15	108953	Connector, 3 Pt Receptacle 18,20	144761	Shaft 18
74755	Washer, Felt 11	110435	Nut, 4-40 Hex 5	144763	Plate, Nut 2
74805	Screw, 10-32 x 3/4 Hex 11	110743	Lockwasher 5,6,10 to 17	144767	Plate w/Bracket, Bearing 18
75750	Washer, Insulating 3,20	111516	Washer, Flat 5	144769	Button, Pivot 18
76081	Washer, Flat 9,10,17	111767	Washer, Flat 14	144770	Gear Assembly, Intermediate 1,18
		112626	Nut, 10-32 Hex 11	145308	Bracket 18
				145310	Base 2,3,18
				145333	Disc w/Hub 5
				145335	Disc w/Knob 5
				145855	Guide, Tape 4

## NUMERICAL INDEX (Continued)

Part Number	Description and Page Number	Part Number	Description and Page Number	Part Number	Description and Page Number
145856	Guide, Tape 4	151659	Screw, 6-40 x 1/2 Fil 7,20	154047	Post, Spring 13
148128	Washer, Flat 6	151678	Screw, 1/4-32 Pilot 2	154051	Screw, 6-40 Shoulder 14
150013	Disc, Adjusting 12	151685	Screw, 4-40 x 5/16 Fil 17	154053	Tripbail, Clutch 11
150026	Lever, Shoe Release 12	151690	Screw, 10-32 x 5/16 Fil 4	154056	Bracket, Contact Box 16
150029	Wick, Felt 12	151693	Screw, 6-40 x 9/16 Fil 4	154071	Screw, 1/4-32 Pilot 9,10
150043	Shoe, Secondary Clutch 12	151695	Screw, 6-40 x 5/8 Fil 4	154072	Bracket, Stop 9,10
150044	Shoe, Primary Clutch 12	151722	Screw, 6-40 x 3/16 Hex 3, 9,10,13	154076	Plate, Nut 2,3
150241	Spring 12			154079	Stud 14
150441	Gear, 21T 4	151723	Screw, 10-32 x 3/8 Hex 2, 4,5,18,20	154080	Lock, Wedge 6
150507	Spring 17			154083	Spacer, Cam 12
150710	Screw, 6-40 x 1-1/4 Fil 3	151724	Screw, 10-32 x 5/8 Hex 18	154084	Bearing, Needle 14
150923	Washer, Felt 13,14	151733	Screw, 4-40 x 9/16 Fil 5	154087	Plate, Nut 2
150979	Capacitor, 1/2 MFD 3	151737	Screw, 4-40 x 11/64 Hex 12	154088	Plate, Nut 2
150990	Washer, Felt 14			154089	Post, Spring 14
150991	Washer, Felt 9,10,11	151819	Jumper, 3" Black 3	154091	Guide, Non-Repeat Lever 14
150992	Stud 5	151843	Screw, 6-40 Adjusting 6	154094	Clamp 11
151003	Keylever 19	151880	Nut, 4-40 Hex 16	154095	Eccentric, Contact Box 16
151004	Keylever 19	152045	Guard, Gear 2	154096	Bushing, Eccentric 11
151005	Keylever 19	152760	Stud 3	154101	Plate, Rear 11
151006	Keylever 19	152839	Spring, Latch 17	154105	Post, Transfer Bail 13
151036	Screw, 4-40 Shoulder 14	152893	Screw, 4-40 x 1/4 Hex 6	154120	Lever, Codebar 9,10
151080	Washer, Flat 6	153455	Resistor, 600 Ohm 3,20	154125	Spring 9,10
151113	Strip, Mounting 2	153484	Screw, 6-32 Spl 3,20	154127	Nut, 6-40 Hex 14
151118	Plate, Spacing 2	153538	Screw, 6-40 x 7/16 Hex 5, 17	154130	Box, Contact 16
151146	Strap, Mounting 2			154131	Cover, Contact 16
151152	Screw, 4-40 x 3/16 Hex 6, 9,10,11,16,17	153539	Screw, 6-40 x 11/16 Hex 5	154138	Washer, Felt 12
151153	Bearing, Sleeve 12	153631	Network, Spark Suppression 15	154156	Grommet, Rubber 21
151182	Washer, Insulating 16	153817	Screw, 4-40 x 3/8 Hex 6, 16	154173	Plate 21
151223	Screw, 4-40 Shoulder 7			154189	Insulator 16
151224	Screw, 6-40 Pilot 7	153841	Screw, 6-40 x 9/16 Hex 7, 11	154191	Spring 10,14
151249	Keytop 19			154199	Shim, .005" Thk 2
151250	Keytop 19	154000	Base 2,20	154201	Shim, .014" Thk 2
151254	Keytop 19	154008	Guide, Codebar 9	154215	Spring 14
151335	Stud 3,20	154009	Plate, Front 13	154217	Wick, Leather 13
151442	Screw, 6-40 x 1/2 Hex 4, 11,18	154010	Bail, Transfer 13	154236	Latchlever 11
151618	Screw, 6-40 x 7/16 Fil 7, 20	154013	Bracket, Spring 9,10	154238	Extension 6
		154015	Post 14	154239	Extension w/Post 6
151629	Nut, 6-40 Lug 20	154019	Follower, Eccentric 12	154240	Bail, Codebar 14
151630	Screw, 6-40 x 1/4 Hex 3,4, 5,7,8,9,10,18,20	154021	Link 7	154241	Stud 14
151631	Screw, 6-40 x 5/16 Hex 3, 4,7,11,17	154027	Bellcrank 14	154386	Plate, Adjusting 14
151632	Screw, 6-40 x 3/8 Hex 2, 3,7,10,16,17,18	154029	Wick, Felt 12	154694	Disc, Clutch Cam 12
151637	Screw, 4-40 x 1/4 Fil 10, 17	154030	Shaft, Signal Generator 12	155046	Screw, 4-40 x 15/32 Hex 15
151642	Screw, 6-40 x 3/4 Fil 4	154032	Sleeve, Gear 12	155750	Sleeve, 3/32 ID x 1/2" Lg Insulating 21
		154033	Latchlever, Clutch 11	155753	Sleeve, 1/8 ID x 1/2" Lg Insulating 5,21
		154034	Lever, Clutch Stop 11	155754	Sleeve, 1/16 ID x 1/2" Lg Insulating 21
		154036	Plate, Detent 13		
		154046	Stud 11		

## NUMERICAL INDEX (Continued)

Part Number	Description and Page Number	Part Number	Description and Page Number	Part Number	Description and Page Number
155755	Sleeve, 11/64 ID x 5/8" Lg Insulating 15,21	161239	Connector, 36 Pt Plug 21	170368	Shaft 9,10
155960	Latch 17	161295	Gearset, 100 WPM 18	170369	Bracket, Support 9,10
155964	Lever, Stop 17	161301	Post 18	170370	Lever, Function 9,10
155965	Ratchet, 88T 17	161346	Washer, Felt 13	170371	Lever, Function 9,10
155967	Washer, Spring 17	161695	Ring, Retaining 4	170372	Bail, Universal 6
155968	Washer, Flat 17	161826	Plate 5	170373	Blade, Rear 6
155990	Counter Assembly, Character 1,17	161831	Washer, Spring 4	170374	Blade, Front 6
156226	Hub 4	161895	Shaft 4	170375	Lever, Auxiliary 9,10
156448	Bushing 5	161896	Gear, 33T 4	170379	Retainer, Ball 6
156449	Lever, Switch 5	161897	Gear, 33T 4	170380	Retainer, Wedge 6
156451	Bushing 5	161899	Spacer, .265" Thk 4	170385	Frame w/Bushing 11
156503	Wick, Felt 12	161900	Bracket, Gear Guard 4	170386	Guide, Transfer Lever 13
156509	Washer, Flat 13	161901	Bracket, Gear Guard 4	170388	Post, Guide 13
156574	Post, Spring 6	161902	Plate 4	170390	Bail, Locking 13
156630	Washer, Felt 13	161910	Cap, Amber 8	170391	Guide, Transfer Lever 13
156644	Link, Drive 16	161911	Knob, Black 8	170392	Lever, Non-Repeat 14
156663	Bushing, Insulating 16	161912	Switch, SP-ST 8	170406	Bracket, Left Spacebar 7
156740	Screw, 6-40 x 7/32 Hex 6, 20	161927	Guide, Tape 4	170407	Bracket, Right Spacebar 7
156875	Screw, 6-40 x 5/32 Fil 17	161932	Cap, Red 8	170409	Bail, Spacebar 7
158021	Bracket, Switch 17	161942	Plate, Transformer 3	170414	Lever, Function 9,10
158031	Bail, Feed 17	161951	Bracket 4,5	171688	Bushing .265" Thk 15
158032	Bail, Reset 17	161954	Socket, Lamp 8	172994	Label 3
158033	Spacer, .055" Thk 17	161957	Lamp 6V 8	173096	Stud, Eccentric 14
158036	Lever, Reset 17	162333	Stud, Locating 2	176339	Post, Stop 14
158038	Lever 17	163440	Gear, 48T 18	176352	Box Assembly, Contact 1, 16
158040	Lever, Ratchet Drive*17	163441	Switch Assembly, Tape-Out 5	176354	Sleeve 13
158042	Latchlever 17	163442	Cable Assembly 5	178142	Camsleeve 12
158050	Cam, Switch 17	163522	Transformer 3	178306	Relay, Power 3,20
158052	Cam, Switch 17	163590	Gear, 60T 4	178535	Suppressor, Spark 3,20
158147	Bushing, Eccentric 17	164565	Container, Tape 5	178725	Spring 17
158163	Switch, Sensitive 5	165008	Turret, Terminal 20	178839	Nut, 11/32-32 Hex 8
158215	Plate, Nut 3,17	165659	Bracket 3	178849	Cord Assembly, Indicator 17
158239	Lever, Tape 5	165660	Insulator, .062" Thk 3	178851	Pulley 17
158268	Latch w/Hub 14	165661	Cable w/Terminals 3	179258	Bracket, Scale 17
158745	Clamp, Bearing 4,18	165662	Stud 3	179278	Drum, Ratchet 17
158828	Bushing, Mounting 18	165663	Insulator, Terminal Block 3	179279	Bracket W/Posts 17
158907	Spring 13	165674	Network Assembly, Relay 3	179639	Contact Assembly 16
159284	Pinion, 20T 18	165678	Lamp, 55V 8	'80160	thru
159285	Gear, 84T 18	165680	Bracket, Fuse Holder 3	180203	Keytop 19
159287	Retainer, Pinion 18	165681	Bracket, Mounting 3	180205	Keytop 19
159327	Washer, Flat 14	165682	Bracket 3	180257	Keytop 19
159334	Washer, Insulating 14	170324	Bracket, Front 9,10	180586	Sleeve, 5/32 ID x 21/32" Lg Insulating 20
159341	Bearing, Ball 4,18	170361	Tripbar, Clutch 9,10	181284	Spring 12
160090	Lever, Transfer 13	170363	Bracket, Left 9,10	182284	Insulator, .015" Thk 20
160370	Switch, NC Pushbutton 8	170364	Bracket, Right 9,10	182501	Capacitor, 1500 MFD 20
160593	Terminal 14,15	170365	Guide, Codelever 9,10		



## NUMERICAL INDEX (Continued)

Part Number	Description and Page Number	Part Number	Description and Page Number	Part Number	Description and Page Number
182510	Cord, Power 21	193827	Cable Assembly 21	198542	Codebar, No. 81 10
182523	Clamp, 1-3/8" ID Mounting 20	193838	Cable Assembly 21	198543	Codebar, No. 8 10
182611	Fuse, SL-BL 3/8 Amp 20	193841	Cable w/Terminals 21	198544	Guide, Left Codebar 10
182726	Terminal, Receptacle Type 21	193846	Bracket, Switch Mounting 8	198545	Guide, Right Codebar 10
185684	Plate, Identification 3,20	193847	Bracket, Dial Mounting 8	198548	Codebar No. 2A 10
192297	Latch 13	193848**	Plate, Switch 8	198649	Connector, 15 Pt Circuit Card 20
192299	Keypop 19	193849**	Plate, Dial Light 8	308429	Codebar, No. 3A 10
192510	Keypop 19	193882	Service Assembly, Electrical 1,20	308430	Codebar, No. 6A 10
192511	Spacebar 7	193883	Lamp, Indicator 7	308431	Codebar, No. 7A 10
192521	Codebar No. 1 9,10	194210	Guideplate, Keypop 7,19	309470	Codebar, No. 7X 10
192522	Codebar No. 2 9	194215	Light, Red Indicator 7	309471	Codebar, No. 8 10
192523	Codebar No. 3 9,10	194217	Cable Assembly 21	309507	Contact 6
192524	Codebar No. 4 9,10	194222	Codebar, No. 1X 9,10	309508	Bracket, Left 6
192525	Codebar No. 5 9,10	194223	Codebar, No. 5X 9,10	309509	Bracket, Right 6
192526	Codebar No. 6 9,10	194224	Codebar, No. 7X 9	311285	Screw, 6-40 Shoulder 10
192527	Codebar No. 7 9	194226	Keypop 19	311741	Bracket, Spacebar 7
192529	Codebar, Shift 9	195050	Bracket 9,10	312994	Modification Kit 6
192530	Lockbar, Shift 9	195051	Plate 14,15	312995	Bar, Retainer 6
192533	Plate, Rear 14,15	195052	Plate, Nut 14,15	319947	Spring, Contact 14
192534	Post, Locking Bail 13	195053	Cover, Insulating 14,15	319948	Spring, Contact 14
192535	Bail w/Post 9	195186	Screw, 4-40 x 7/8 Hex 16	320410	Terminal, Spade Type 3,21
192537	Plate, Adjustment 9	195217	Insulator 20	320416	Terminal, Ring Type 21
192538	Plug, Button 7	195245	Sleeve, 1/2 ID x 1/2" Lg Insulating 20	320420	Terminal, Ring Type 20
192552	Channel, Ball 6	195432	Spring, Contact 15	321727	Guide 6
192553	Bracket, Left Mounting 7, 8	195433	Spring, Contact 15	321918	Gasket 15
192554	Bracket, Right Mounting 6,7,8	197005	Lever, Function 10	321919	Cover 15
192556	Frame 7	197013	Lever, Transfer 13	321920	Spring, Contact 15
192557	Grommet, Rubber 7	197056	Clip 13	321921	Spring, Contact 15
192558	Codebar, CR 9,10	198236	Post 14,15	321922	Plunger 15
192559	Codebar, Counter 9,10	198530	Plate, Spring 10	324009	Bracket 15
192579	Bushing, Shoulder 9,10	198531	Plate, Blocking 10	324010	Contact Assembly 14,15
192589	Post, Stop 14	198533	Plate, Blocking 10	324011	Follower, Cam 14,15
192597	Bracket 14,15	198534	Arm w/Roller 10	324012	Stud 14,15
192604	Stud 15	198535	Post 10	324013	Post 14,15
192649	Post, Spring 15	198536	Lockbar, Shift 10	324129	Spring 10
192681	Screw, 4-40 Spl 6	198537	Lockbar, Control 10	324488	Camsleeve 12
193439	Resistor, 32 Ohm 20	198538	Codebar, No. 51 10	324532	Screw, 4-40 x 3/16 Hex 10
193440	Card, Circuit 20	198539	Bail, Blocking 10	327450	Label 16
193745	Plate, Nut 20	198540	Bail, Blocking 10	328185	Cable w/Terminals 3
193746	Chassis 20	198541	Screw, 6-40 Shoulder 10	329089	Spring 9,10
				330792	Transformer 20
				330802	Cover 20
				330804	Shield 20
				333208	Cable w/Terminals 20
				333209	Cable Assembly 21

\*\*Refer to page 1 for finish suffix

