

SCANNED 4/73
12016

35 SEND-RECEIVE KEYBOARD (LK)
AND
RECEIVE-ONLY BASE (LB)
PARTS

FIGURE	CONTENTS	PAGE	FIGURE	CONTENTS	PAGE
1	Base	2	14	Signal Generator Shaft Mechanism	12
2	Base (Continued)	3	15	Signal Generator Frame Mechanism	13
3	Bracket Mechanism	4	16	Signal Generator Front Plate Mechanism	14
4	Function Bail Mechanism (RO)	4	17	176352 and 197019 Contact Box Assemblies	15
5	Paper Feed-Cut Switch Mechanism	5	18	Signal Generator Rear Plate Mechanism	16
6	Function Bail Mechanism (KSR)	5	19	Answer Back Mechanism	17
7	Intermediate Gear Mechanism	6	20	8 Level Coding Instructions for the Answer Back Drum	18
8	Code Bar Mechanism (Non Parity)	7	21	Keyboard or Base Mechanism (Wall Mounted)	19
9	Code Bar Mechanism (Even Parity)	8	22	Cable Components	20
10	Universal Bail Mechanism	9		Numerical Index	21
11	Ball Lock Mechanism	9			
12	Keyboard Mechanism	10			
13	Keypops and Keylevers	11			

PAINT FINISH COLOR CODE CHART (for parts and assemblies requiring a paint finish)																					
Color	Finish Suffixes				Color	Finish Suffixes															
	Wrinkle Finish	Smooth Finish	Textured Vinyl	Smooth Vinyl		Wrinkle Finish	Smooth Finish	Textured Vinyl	Smooth Vinyl												
Beige	AA (37)	ET	GC	HC	Gray, Federal	AB (40)	BV	GG	HB (68)												
Beige, Light		EL			Gray, Green		BK	GA (45)		HE											
Beige, Rose		ER			Gray, Light		EJ	GE			HF (46)										
Black		BA (34)			Gray, Covert		EW					AJ	BJ								
Black, High Gloss					BB									Gray, Olive	EP						
Black, Semi Gloss					EK									Gray, Maritime Deck		BK	GA (45)				
Blue, Aqua					EC									Gray, Oxford				EN	HD		
Blue, Brussels Light					ES									Green, Gray						EM	
Blue, Medium					AD (38)									Green, Moss							EU
Brown, Dark														AC (39)							
Brown, Light	AL		Pink, Rose	EH																	
Fawn			BZ			Turquoise			EG												
Gray, Beige			GF			White		HA													
Gray, Charcoal		GB				Yellow, Pastel															
Gray, Dark																					

The double asterisk (**) denotes a painted part. Suffix to be applied following the part number. Number in parentheses indicates Bell System code.

BELL SYSTEM and TELETYPE CODE CROSS-REFERENCE					
Unit Description	Teletype Code	Bell System Code	Unit Description	Teletype Code	Bell System Code
Keyboard	LK801ATD	35A	Base	LB800	35D
	LK802ATD	35C		LB801	35B
	LK805ATL	35E	Gear Set	161295	28C-1

NOTE:
When ordering parts from this section, prefix each number with the letters TP.

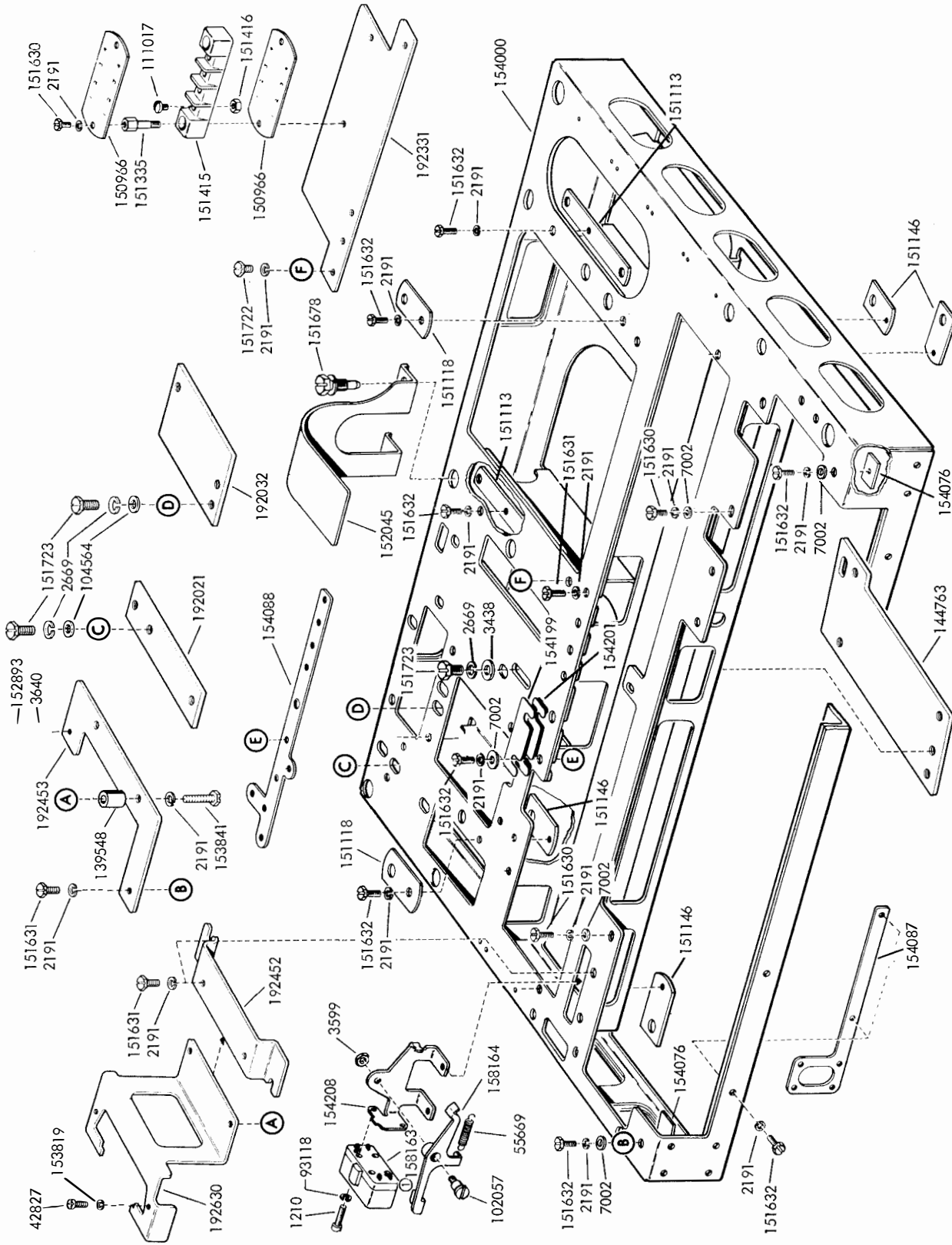


FIGURE 1. BASE

Part of 192503 and 192508 Cable Assemblies

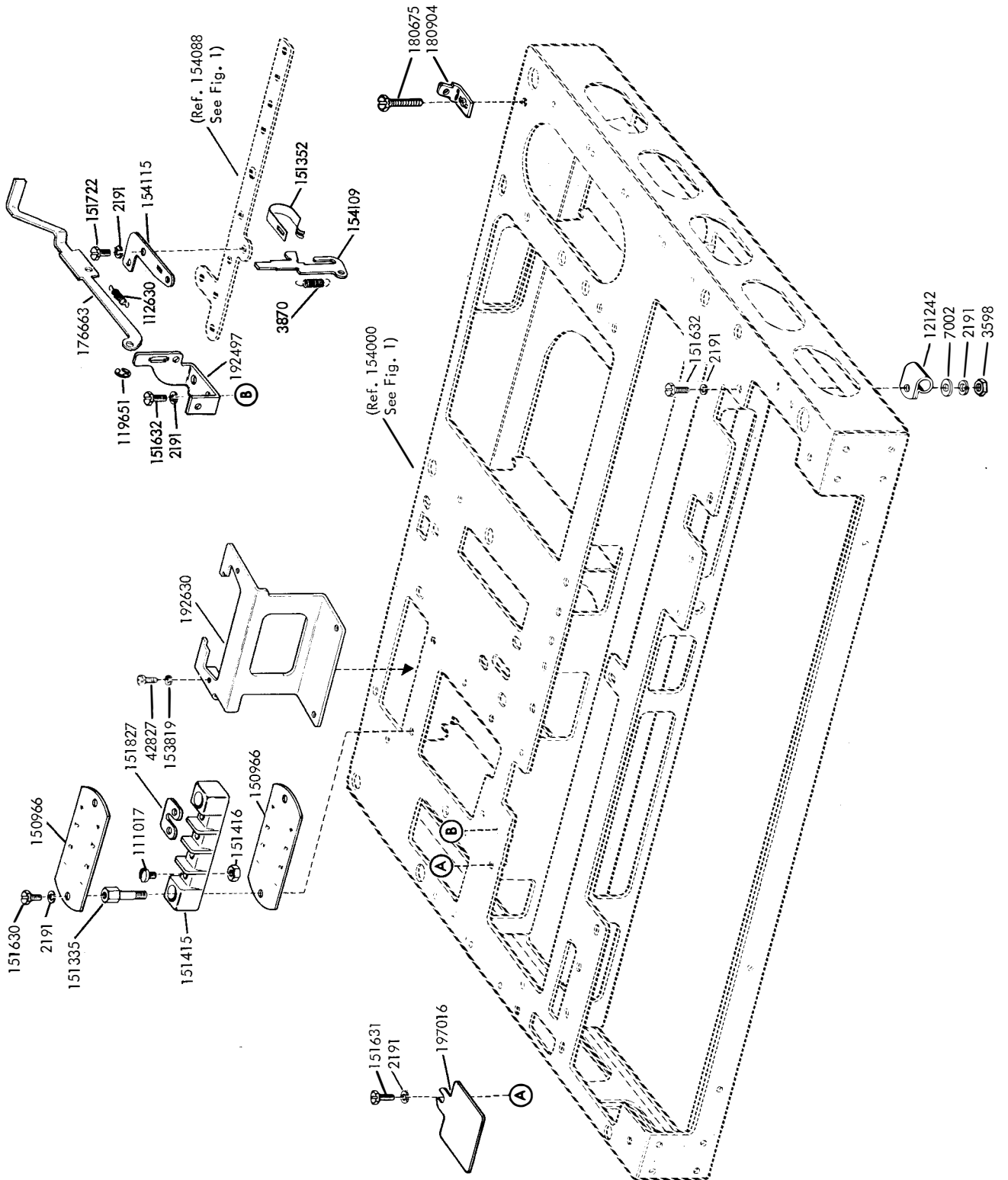


FIGURE 2. BASE (Continued)

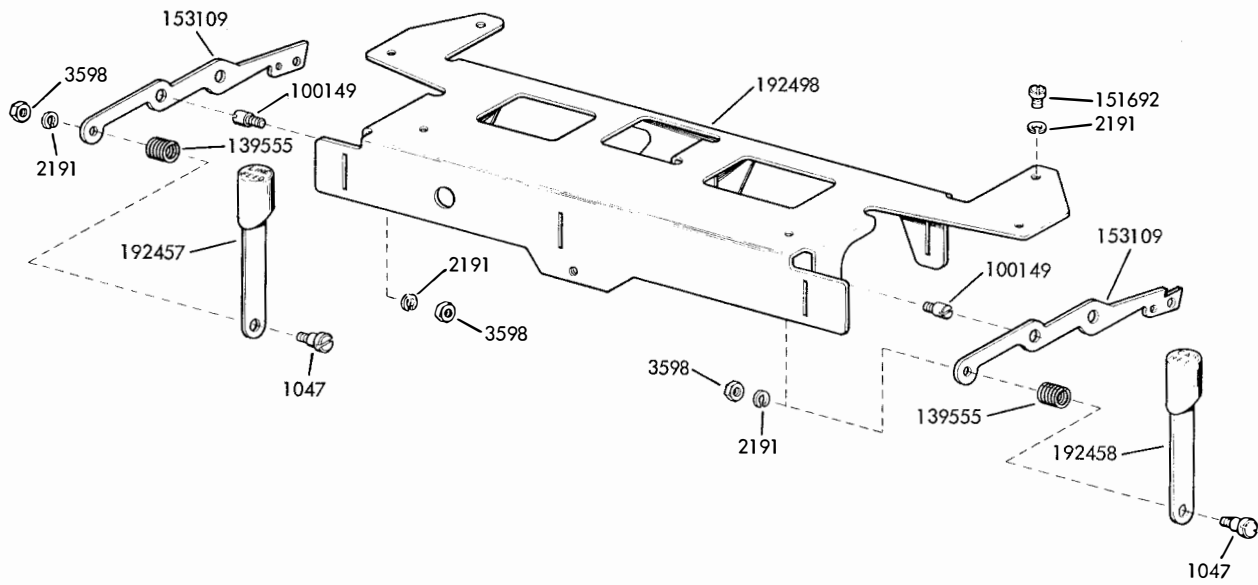


FIGURE 3. BRACKET MECHANISM

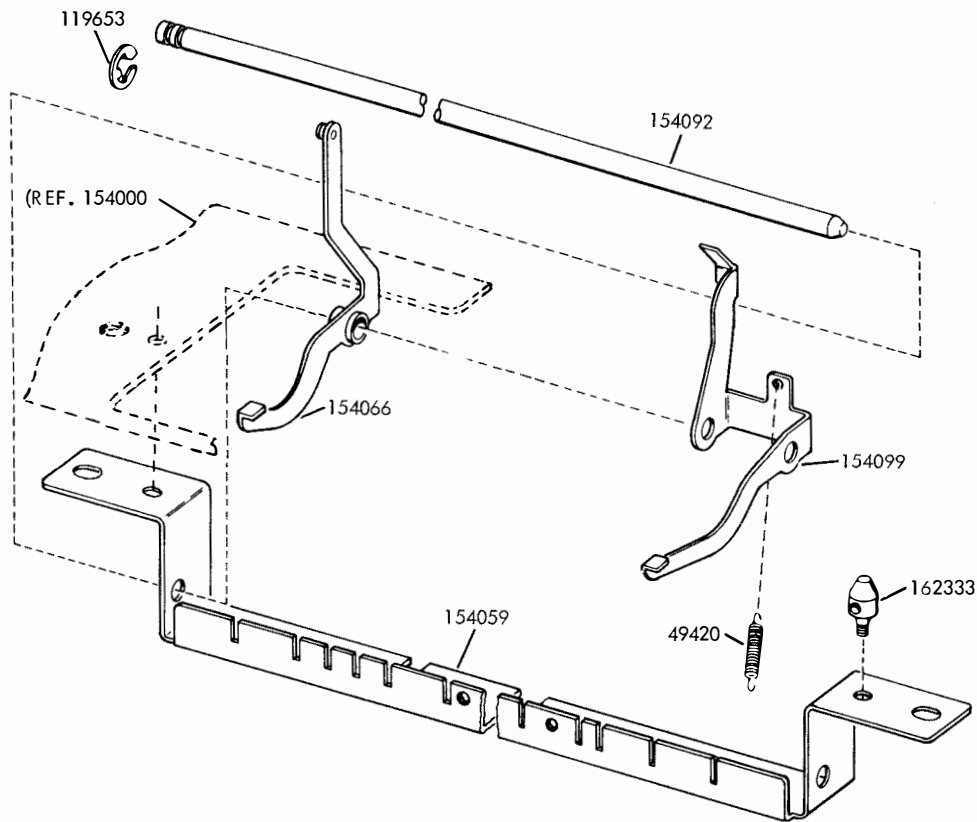


FIGURE 4. FUNCTION BAIL MECHANISM (RO)

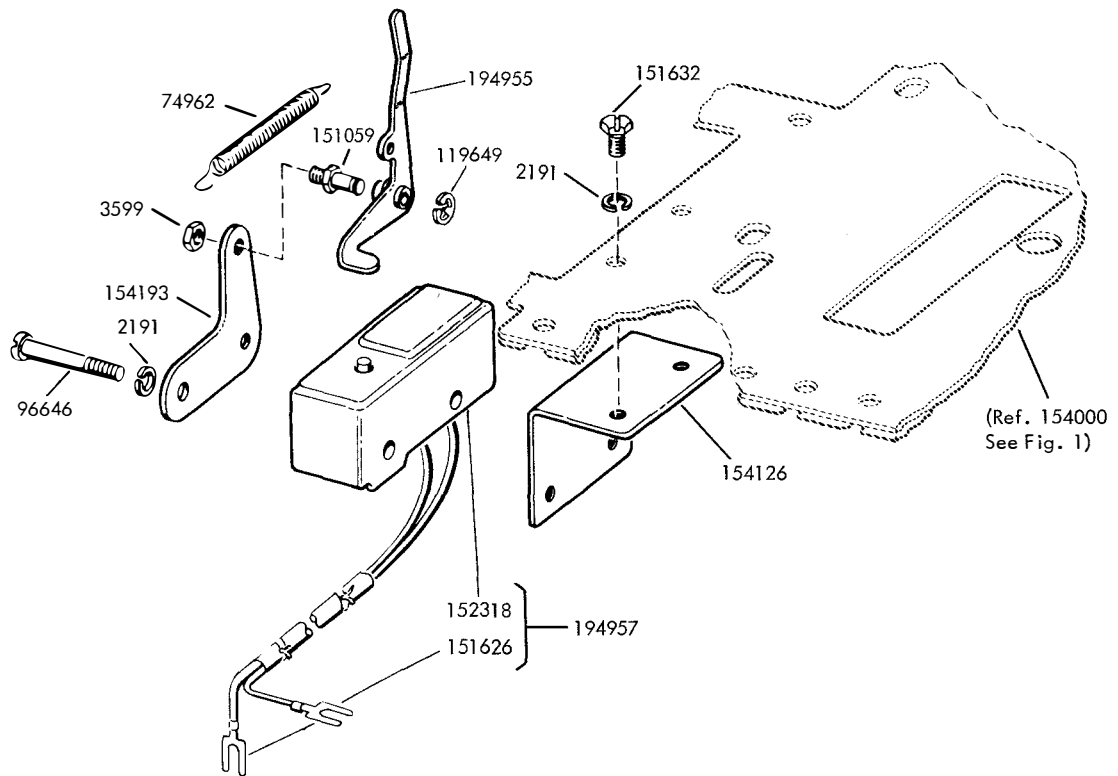


FIGURE 5. PAPER FEED-OUT SWITCH MECHANISM

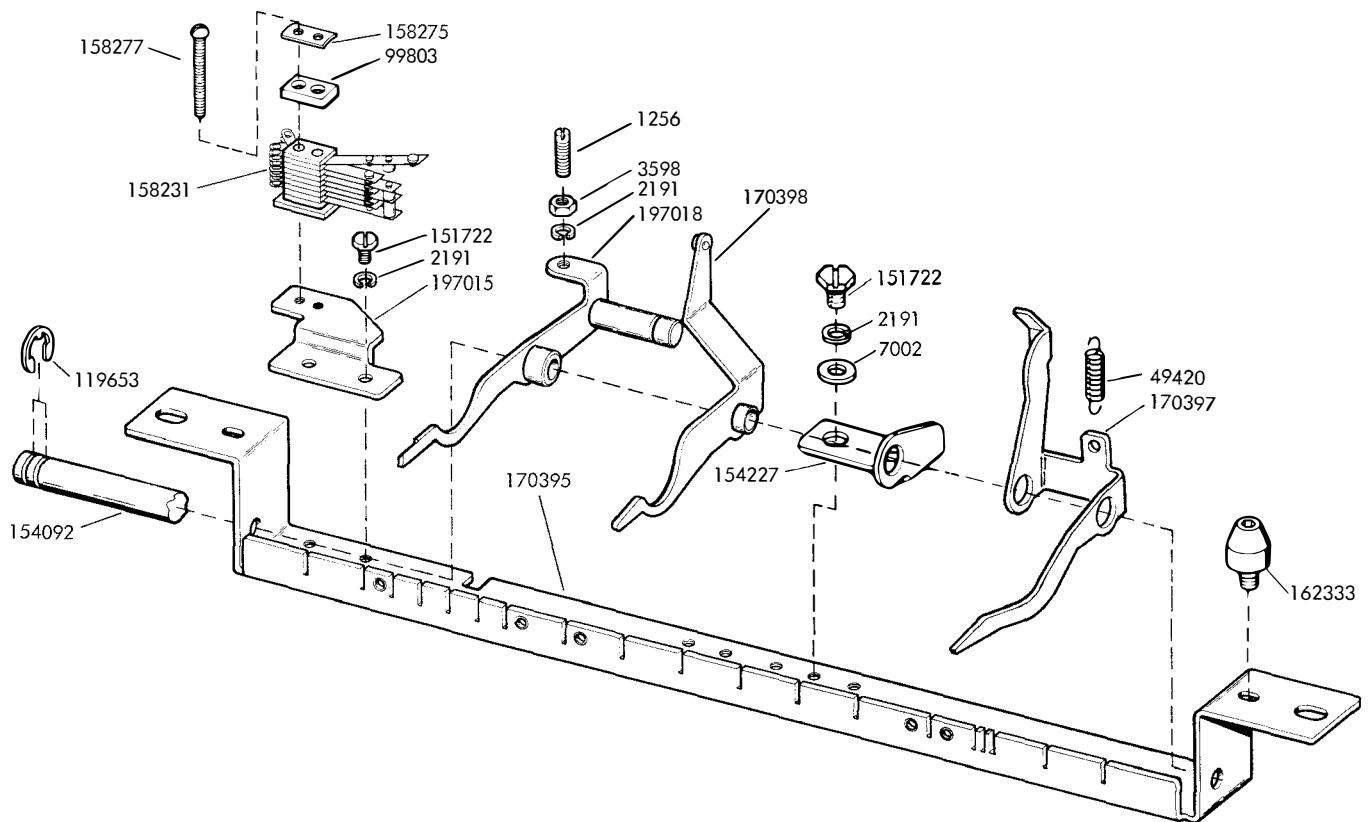
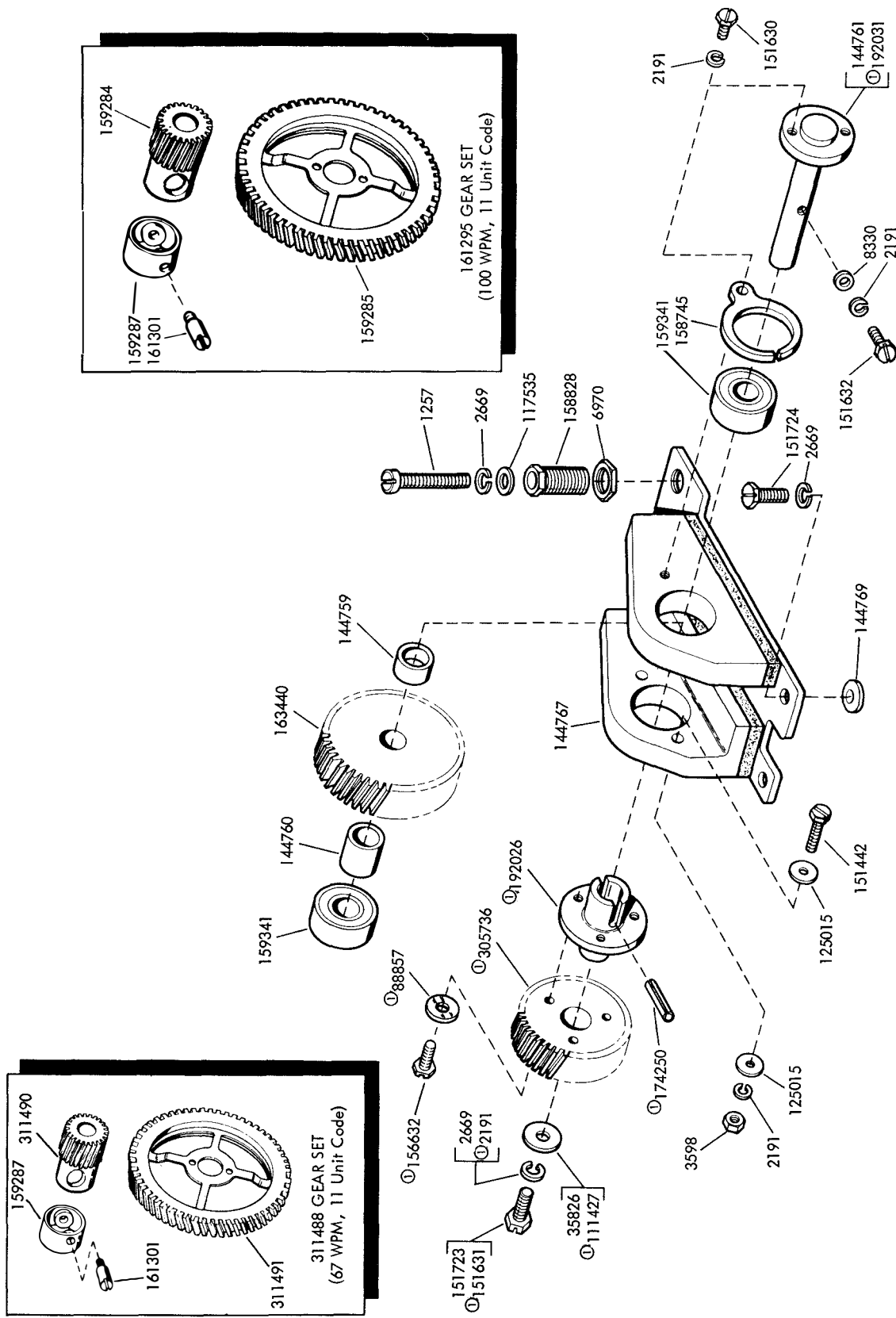


FIGURE 6. FUNCTION BAIL MECHANISM (KSR)



Ⓢ Peculiar to units equipped with answer back mechanism

FIGURE 7. INTERMEDIATE GEAR MECHANISM

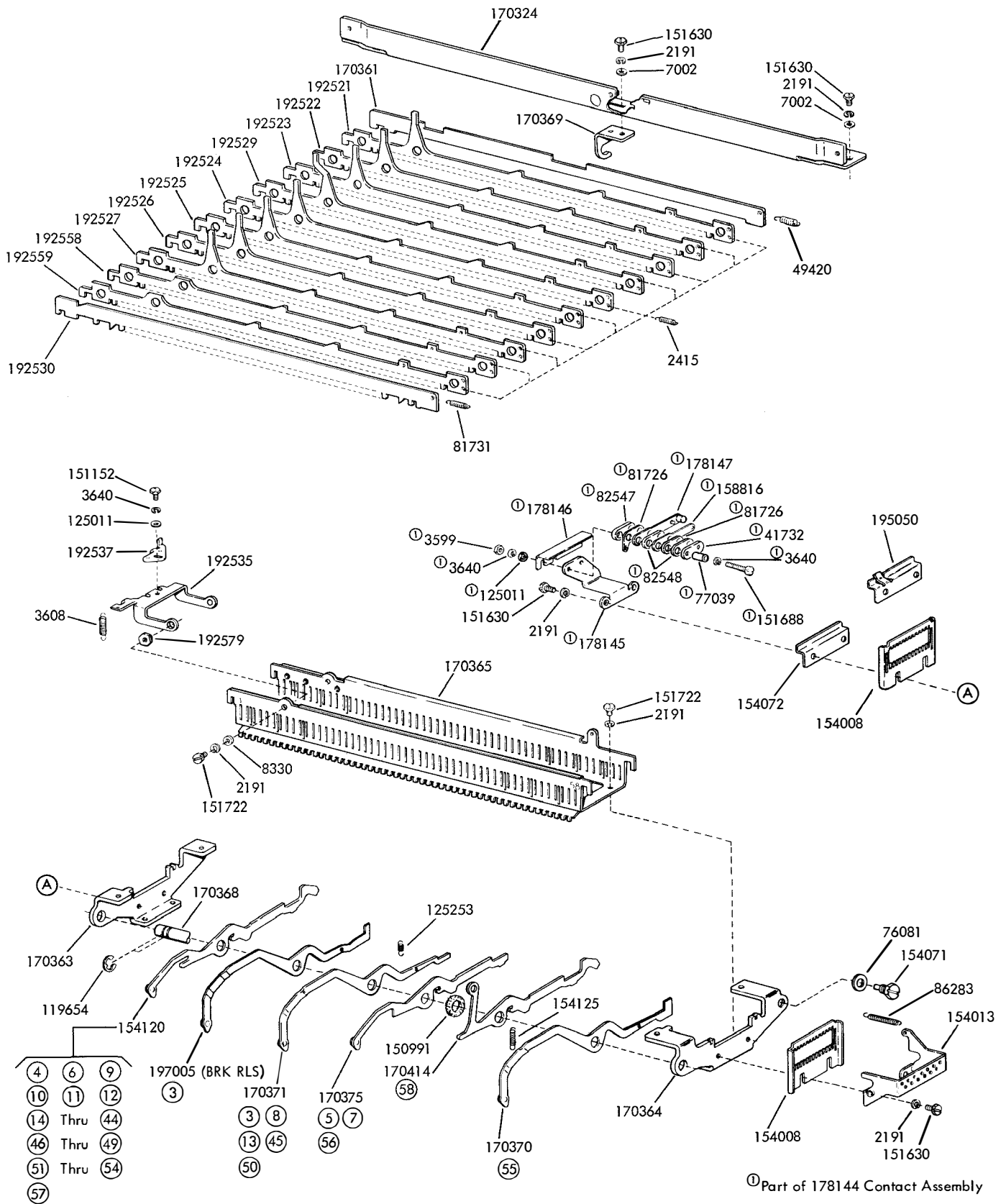


FIGURE 8. CODE BAR MECHANISM (Non Parity)

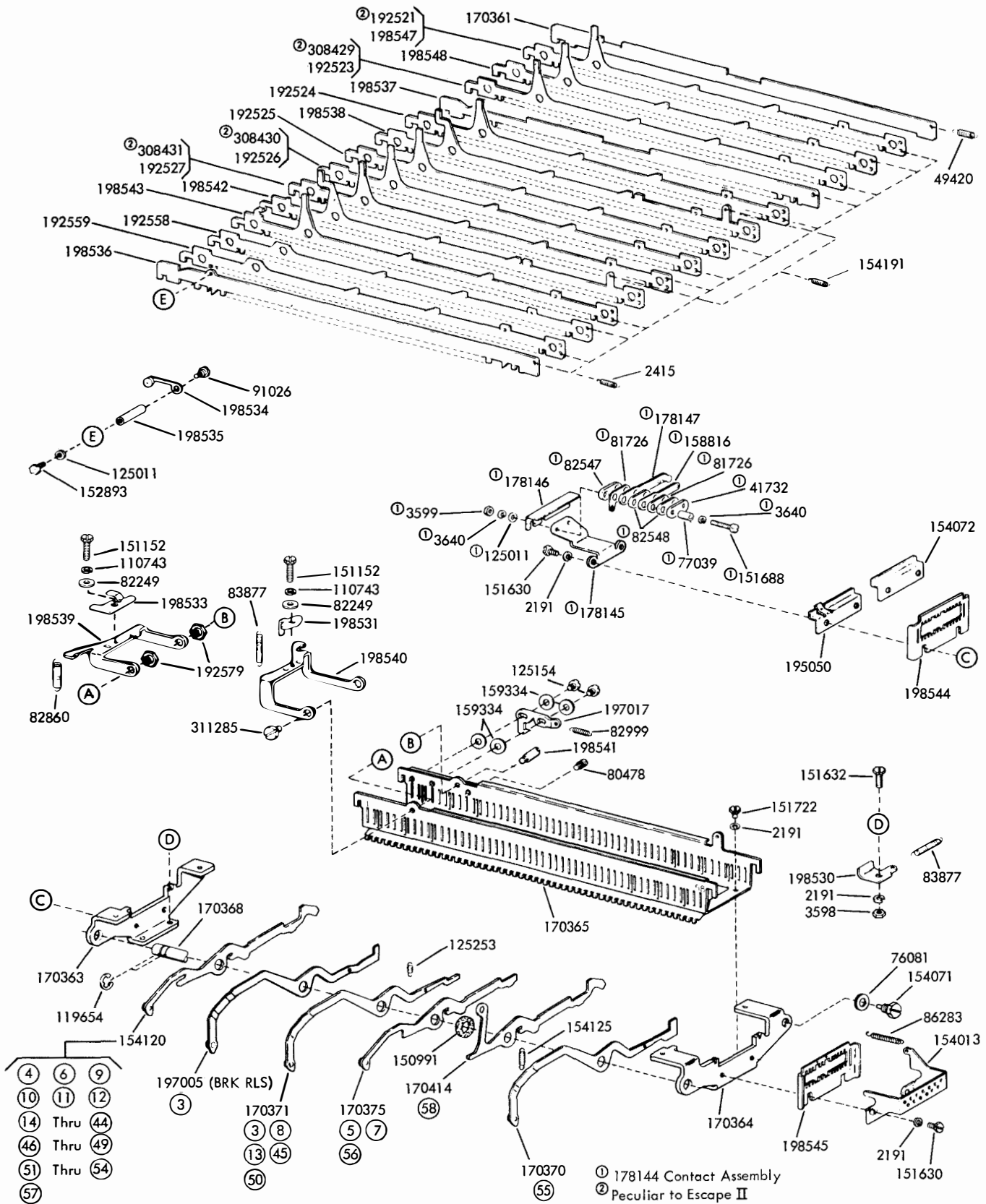


FIGURE 9. CODE BAR MECHANISM (Even Parity)

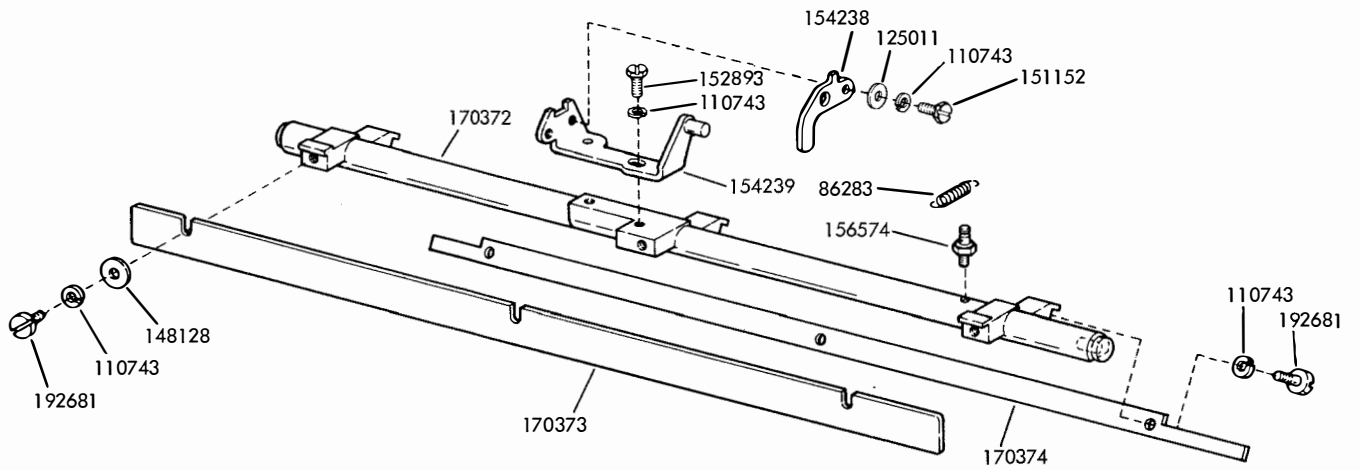


FIGURE 10. UNIVERSAL BAIL MECHANISM

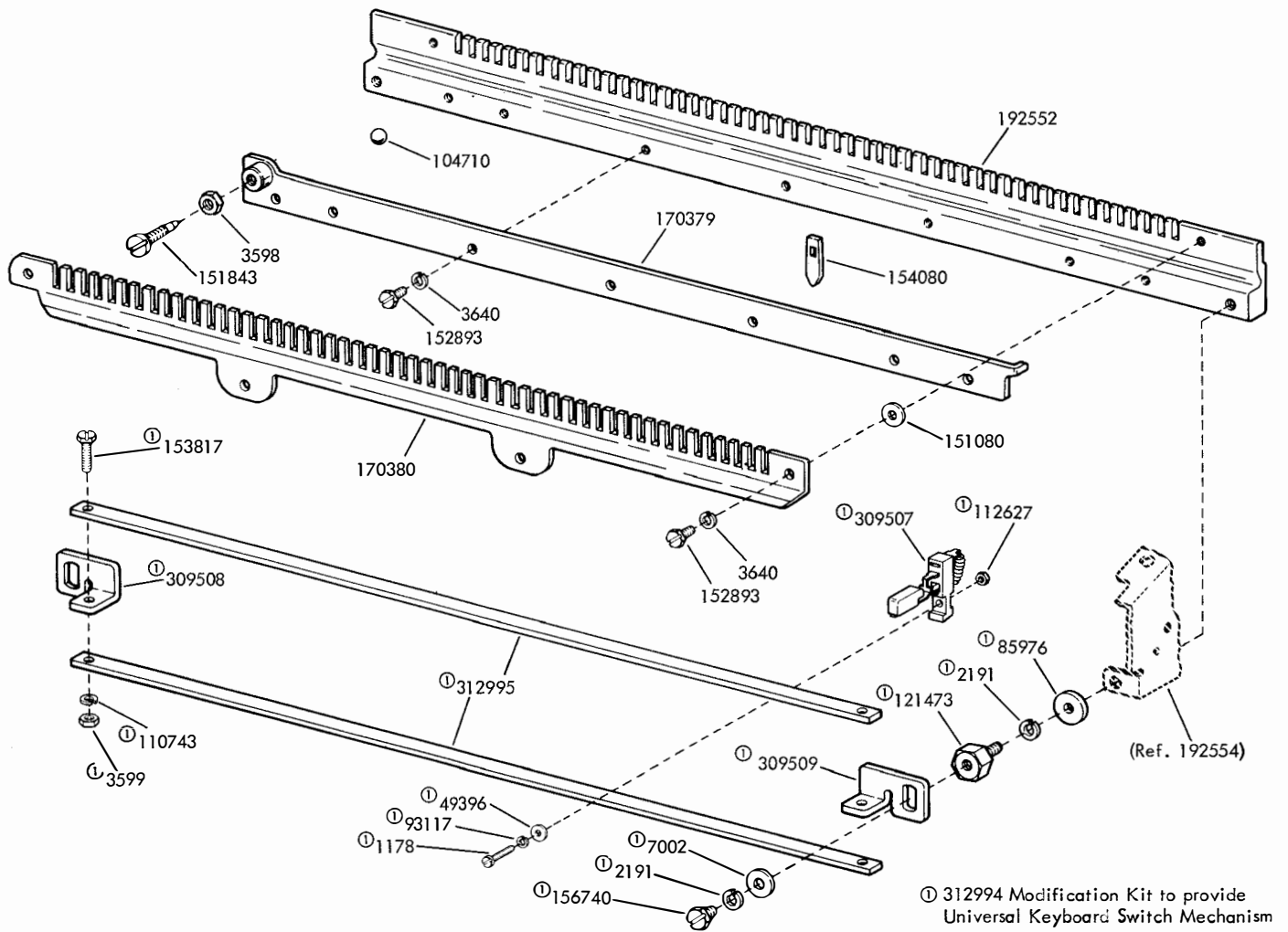


FIGURE 11. BALL LOCK MECHANISM

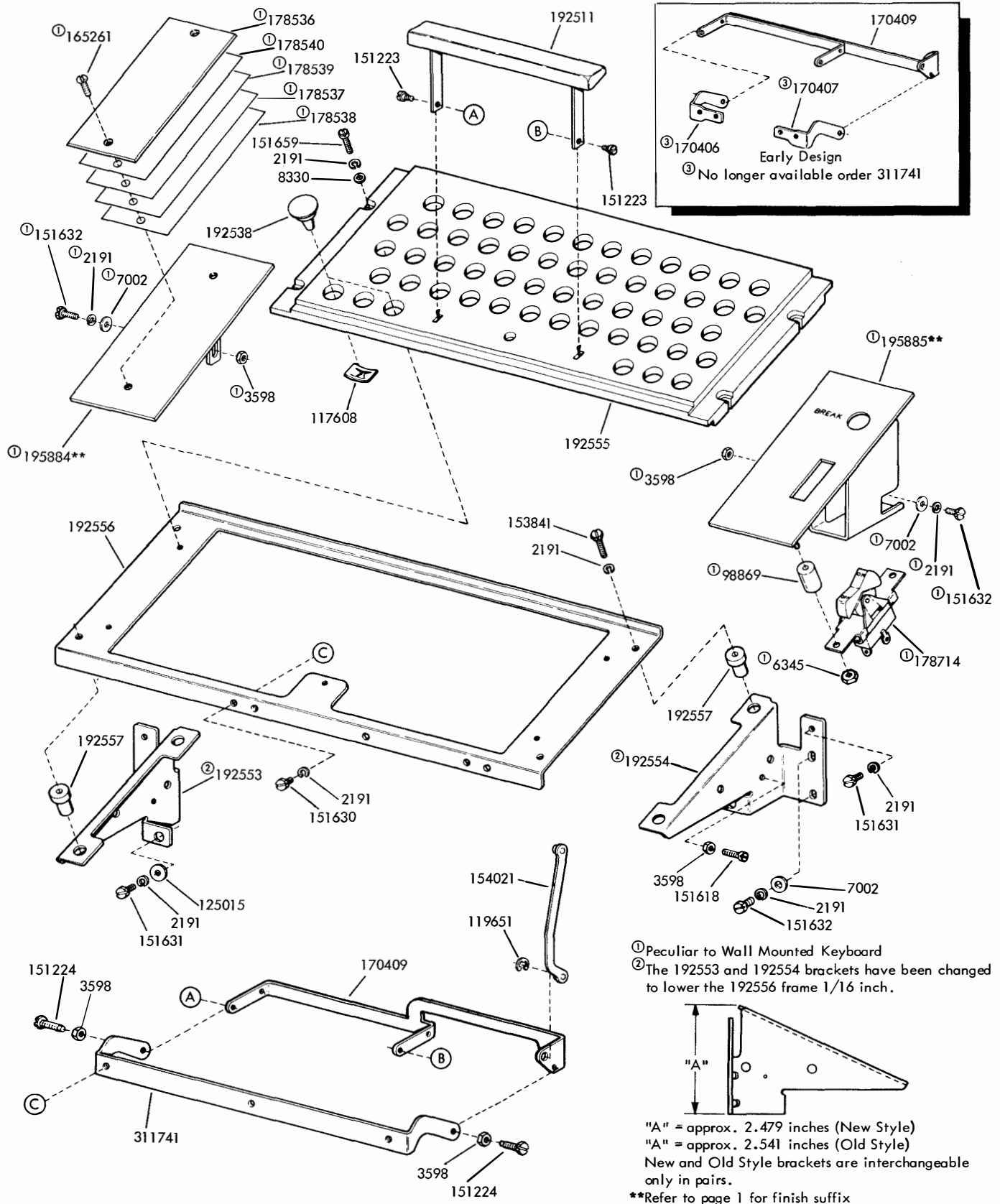


FIGURE 12. KEYBOARD MECHANISM

KEYTOP DESCRIPTION	PART NO.	KEYTOP DESCRIPTION	PART NO.	KEYTOP DESCRIPTION	PART NO.	KEYTOP DESCRIPTION	PART NO.
1 !	180160	E	180259	P @	180180	- =	180170
1 •	180320	E Ç	180333	P ..	180263	, <	180197
2 "	180161	E WRU	②183889	Q	180327	, >	180198
2 ▶	180321	F RU	180184	Q START	180171	; +	180199
3 #	180162	F	180273	Q X-ON	180422	/ ?	180200
3 ■	180334	F PRINT	180429	Q X-ON	②183888	: *	180205
4 \$	180163	G BELL	180185	R TAPE	180174	* :	180324
5 %	180164	G	180274	R	180260	\ ^	180328
5 %	180323	G BELL	②183890	R PUNCH	180425	// /	180331
6 &	180165	H	180186	S X-OFF	180182	/ .	180332
7 ' ,	180166	I TAB	180178	S	180282	* *	180335
8 (180167	J	180187	S STOP	180428	-	180336
9)	180168	K VT	180188	S X-OFF	②183892	LOC LF	①151249
0	180169	K □	180383	T TAPE	180175	LOC CR	①151250
A	180181	K VT □	180430	T	180261	REPT	①151254
A SOA	180435	L FORM	180189	T PUNCH	180426	LOC B SP	①153280
A SOM	②183891	L /	180385	U	180177	RUB OUT	180201
B	180194	L FF \	180431	V	180193	RE- TURN	180202
B SOT	180434	M	180196	V PRINT	180433	LINE FEED	180203
C	180192	M □	180384	W	180172	ALT MODE	180257
C EOM	180432	N ↑	180195	W LEM	180423	CTRL	192299
D EOT	180183	N	180250	X	180191	CTRL	③305064
D	180278	O ←	180179	Y	180176	SHIFT	192510
E WRU	180173	O →	180326	Z	180190	BRK RLS	197040

- ①Red Keytops
- ②Gray Body- White Lower Case, Yellow Upper Case
- ③Gray Body- Yellow Characters
- All Other Keytops Have Gray Body- White Characters

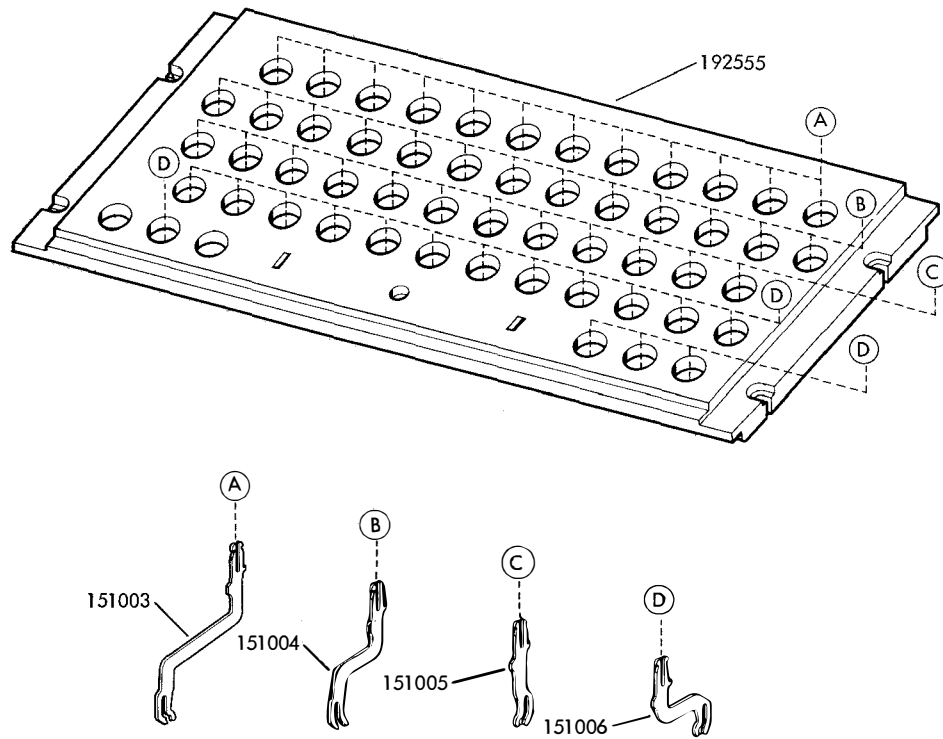


FIGURE 13. KEYTOPS AND KEYLEVERS

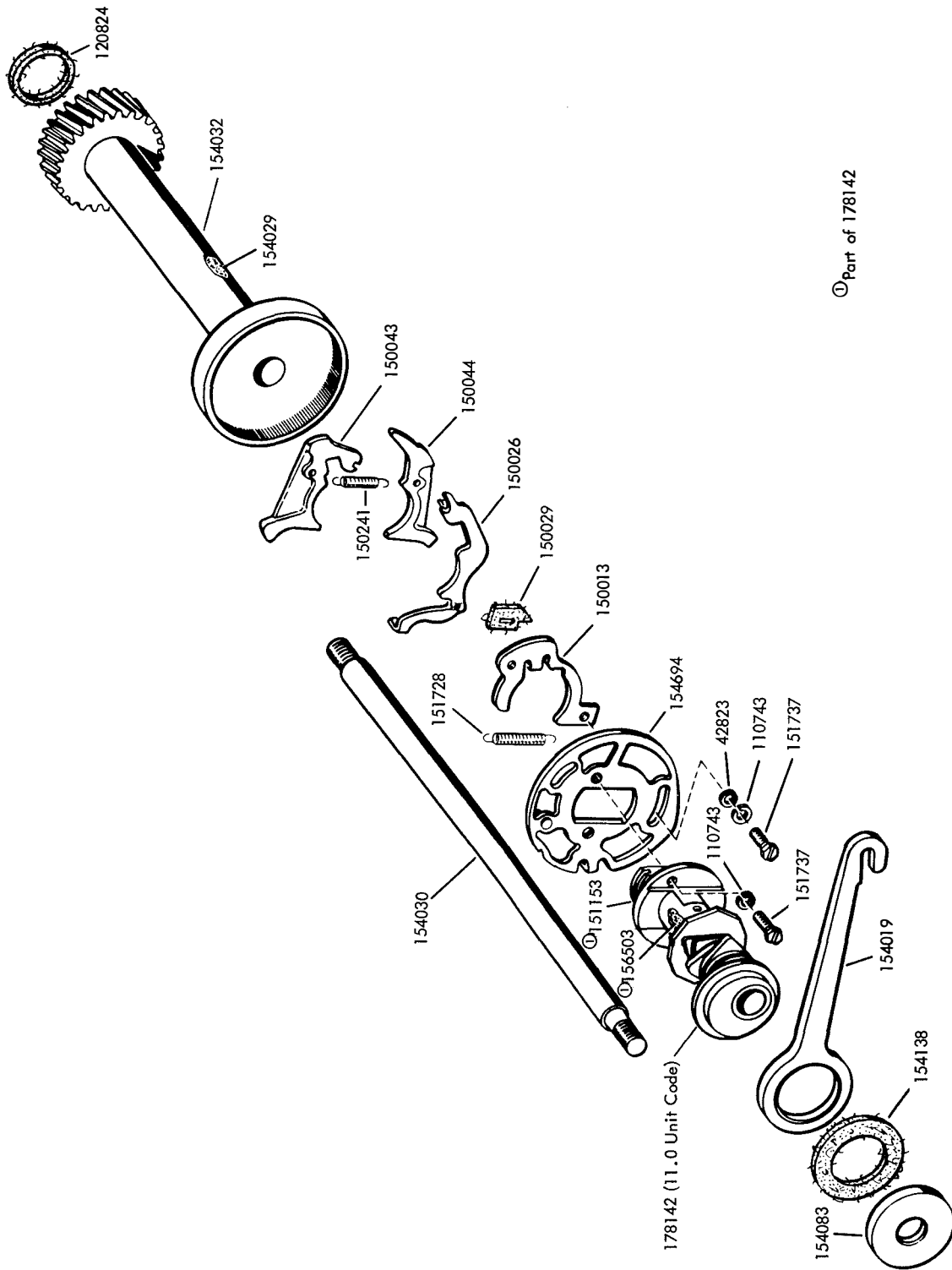


FIGURE 14. SIGNAL GENERATOR SHAFT MECHANISM

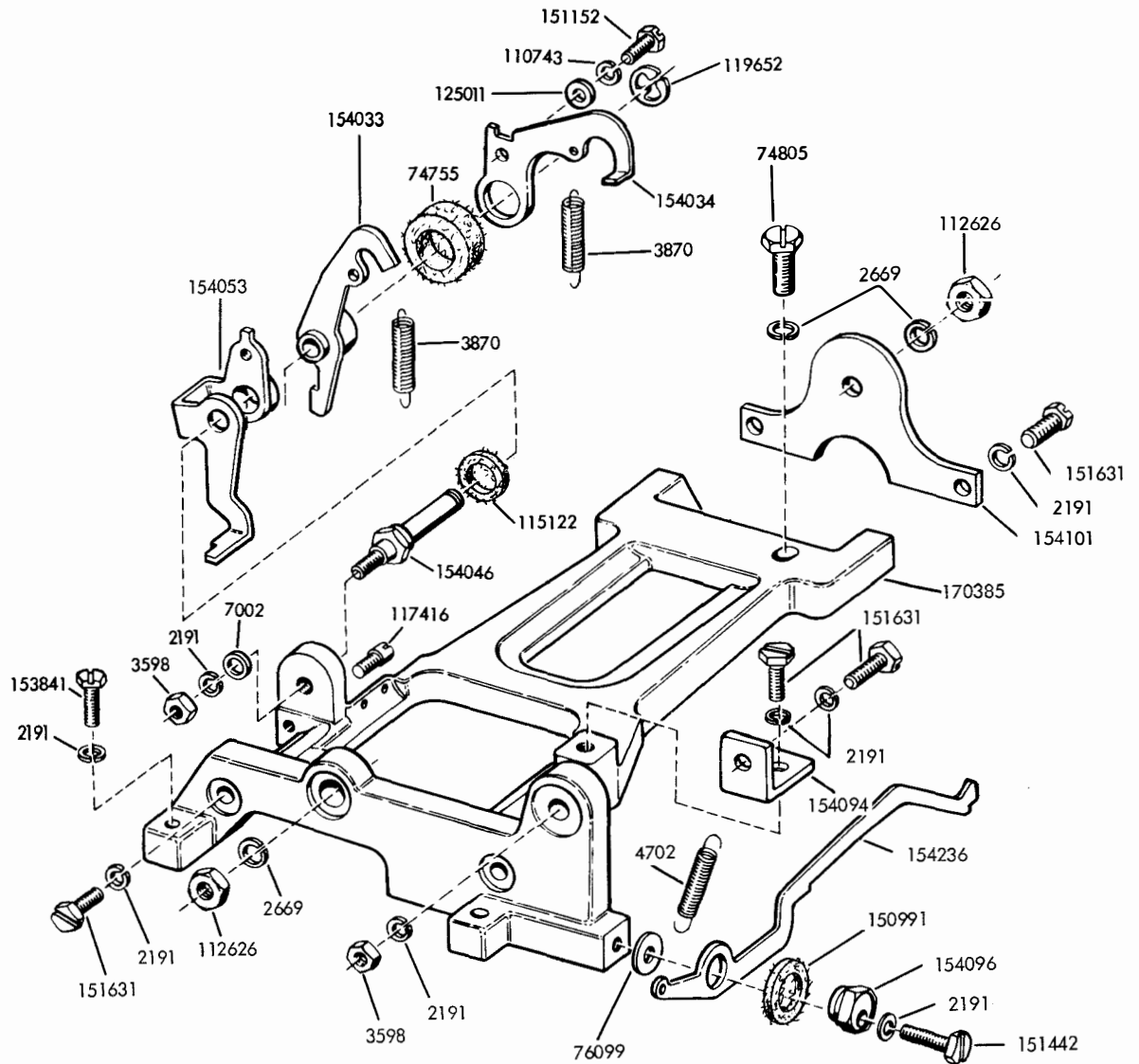


FIGURE 15. SIGNAL GENERATOR FRAME MECHANISM

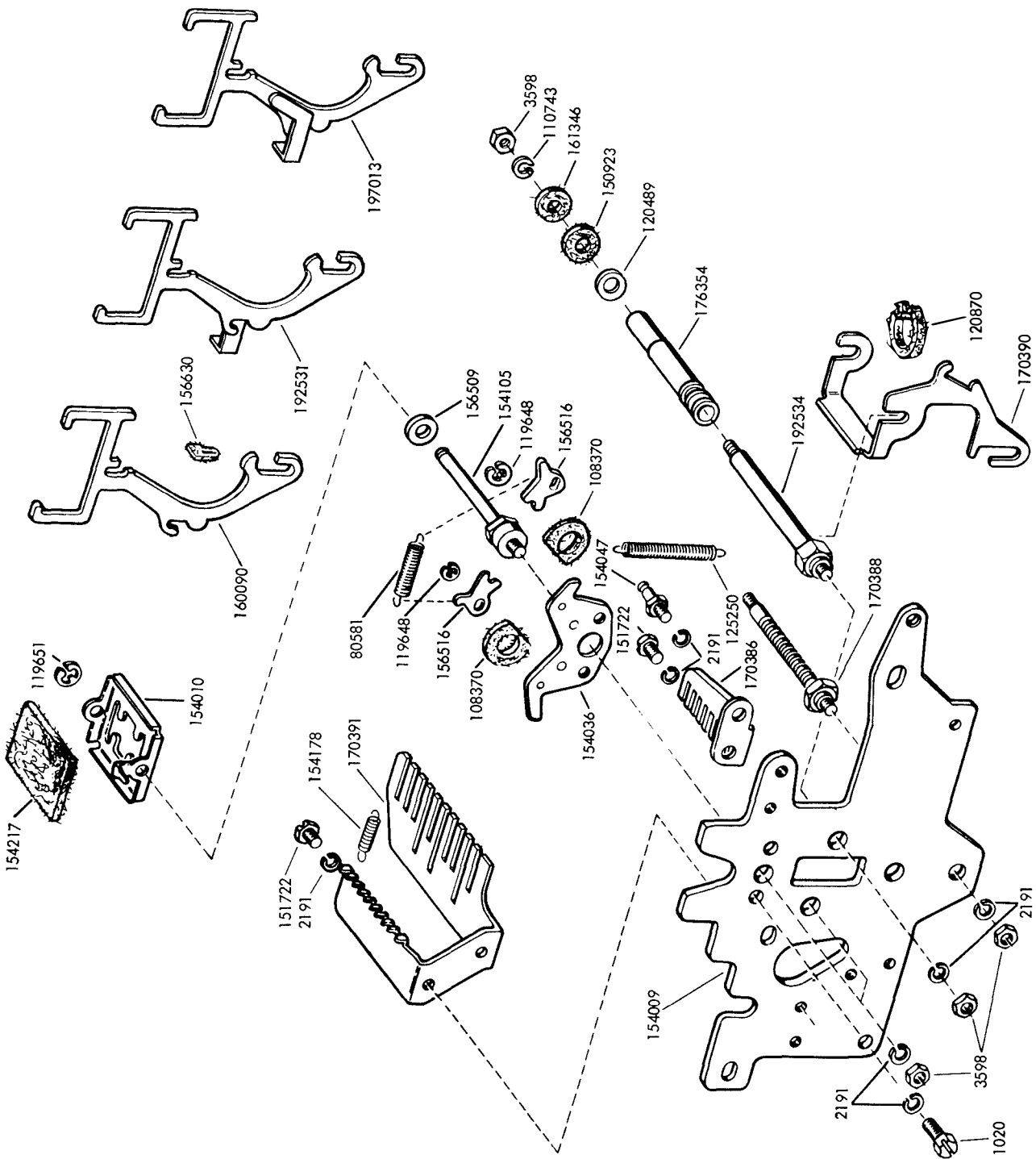


FIGURE 16. SIGNAL GENERATOR FRONT PLATE MECHANISM

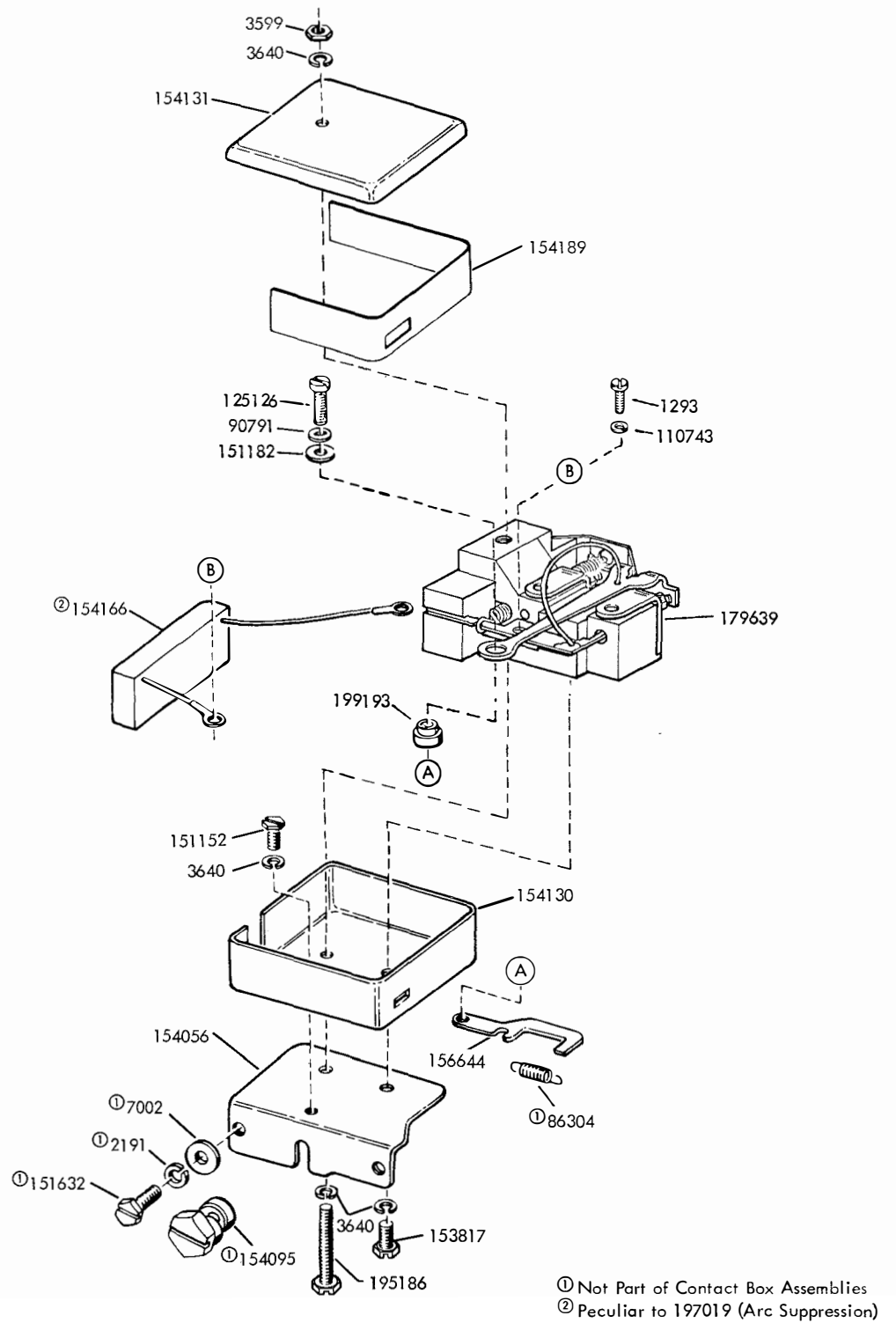


FIGURE 17. 176352 AND 197019 CONTACT BOX ASSEMBLIES

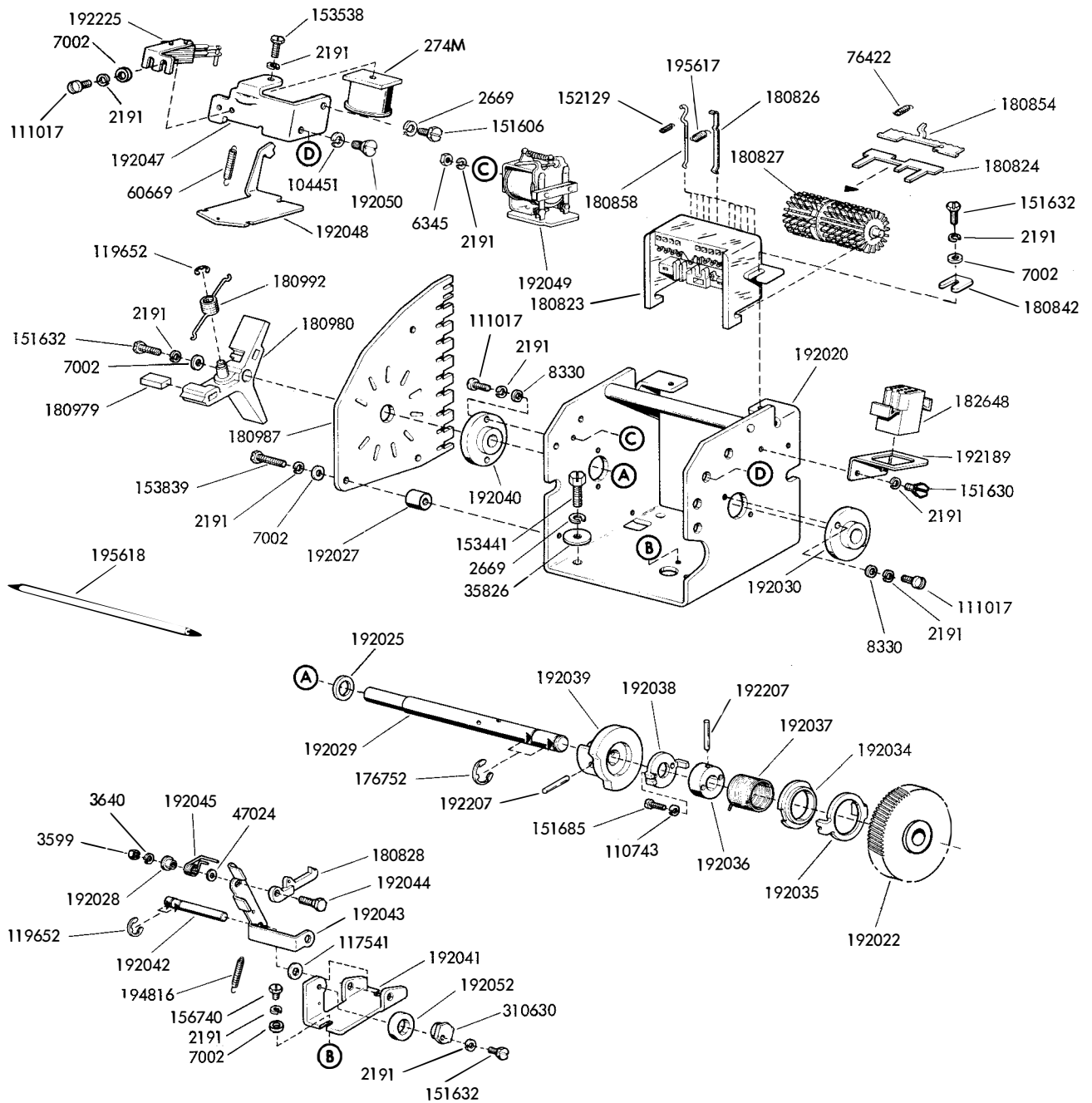
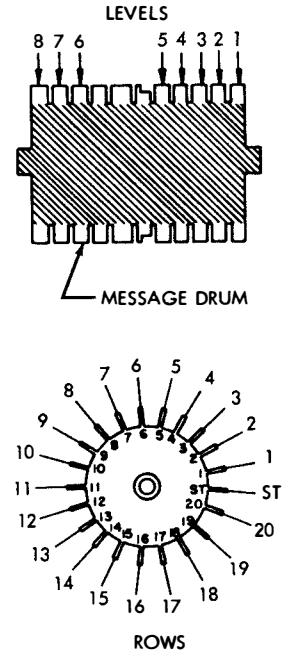


FIGURE 19. ANSWER BACK MECHANISM

	CODE LEVELS									CODE LEVELS							
	8	7	6	5	4	3	2	1		8	7	6	5	4	3	2	1
NULL	■	■	■	■	■	■	■	■	2	□	□	□	□	□	□	□	□
SOM	□	□	□	□	□	□	□	□	3	□	□	□	□	□	□	□	□
EOA	□	□	□	□	□	□	□	□	4	□	□	□	□	□	□	□	□
EOM	■	■	■	■	■	■	■	■	5	□	□	□	□	□	□	□	□
EOT	□	□	□	□	□	□	□	□	6	□	□	□	□	□	□	□	□
WRU	■	■	■	■	■	■	■	■	7	□	□	□	□	□	□	□	□
RU	■	■	■	■	■	■	■	■	8	□	□	□	□	□	□	□	□
BELL	□	□	□	□	□	□	□	□	9	■	■	■	■	■	■	■	■
FE ₀	□	□	□	□	□	□	□	□	:	□	□	□	□	□	□	□	□
HT	■	■	■	■	■	■	■	■	:	□	□	□	□	□	□	□	□
LF	■	■	■	■	■	■	■	■	<	□	□	□	□	□	□	□	□
VT	□	□	□	□	□	□	□	□	=	□	□	□	□	□	□	□	□
FF	■	■	■	■	■	■	■	■	>	□	□	□	□	□	□	□	□
CR	□	□	□	□	□	□	□	□	?	□	□	□	□	□	□	□	□
SO	□	□	□	□	□	□	□	□	@	□	□	□	□	□	□	□	□
SI	■	■	■	■	■	■	■	■	A	■	■	■	■	■	■	■	■
DC ₀	□	□	□	□	□	□	□	□	B	□	□	□	□	□	□	□	□
XON	■	■	■	■	■	■	■	■	C	□	□	□	□	□	□	□	□
RION	■	■	■	■	■	■	■	■	D	□	□	□	□	□	□	□	□
XOFF	□	□	□	□	□	□	□	□	E	□	□	□	□	□	□	□	□
RI OFF	■	■	■	■	■	■	■	■	F	□	□	□	□	□	□	□	□
ERROR	□	□	□	□	□	□	□	□	G	■	■	■	■	■	■	■	■
SYNCH	□	□	□	□	□	□	□	□	H	■	■	■	■	■	■	■	■
EOB	■	■	■	■	■	■	■	■	I	□	□	□	□	□	□	□	□
S ₀	■	■	■	■	■	■	■	■	J	■	■	■	■	■	■	■	■
S ₁	□	□	□	□	□	□	□	□	K	■	■	■	■	■	■	■	■
S ₂	□	□	□	□	□	□	□	□	L	□	□	□	□	□	□	□	□
ESC(new)	■	■	■	■	■	■	■	■	M	■	■	■	■	■	■	■	■
S ₄	□	□	□	□	□	□	□	□	N	■	■	■	■	■	■	■	■
S ₅	■	■	■	■	■	■	■	■	O	□	□	□	□	□	□	□	□
S ₆	■	■	■	■	■	■	■	■	P	□	□	□	□	□	□	□	□
S ₇	□	□	□	□	□	□	□	□	Q	■	■	■	■	■	■	■	■
SPACE	□	□	□	□	□	□	□	□	R	□	□	□	□	□	□	□	□
!	■	■	■	■	■	■	■	■	S	■	■	■	■	■	■	■	■
"	■	■	■	■	■	■	■	■	T	□	□	□	□	□	□	□	□
#	□	□	□	□	□	□	□	□	U	■	■	■	■	■	■	■	■
\$	■	■	■	■	■	■	■	■	V	□	□	□	□	□	□	□	□
%	□	□	□	□	□	□	□	□	W	■	■	■	■	■	■	■	■
&	□	□	□	□	□	□	□	□	X	□	□	□	□	□	□	□	□
'	■	■	■	■	■	■	■	■	Y	■	■	■	■	■	■	■	■
(■	■	■	■	■	■	■	■	Z	□	□	□	□	□	□	□	□
)	□	□	□	□	□	□	□	□	[□	□	□	□	□	□	□	□
*	□	□	□	□	□	□	□	□	\	■	■	■	■	■	■	■	■
+	□	□	□	□	□	□	□	□]	□	□	□	□	□	□	□	□
,	□	□	□	□	□	□	□	□	^	□	□	□	□	□	□	□	□
-	■	■	■	■	■	■	■	■	~	□	□	□	□	□	□	□	□
.	■	■	■	■	■	■	■	■	ACK	□	□	□	□	□	□	□	□
/	□	□	□	□	□	□	□	□	ALT. MODE	□	□	□	□	□	□	□	□
0	■	■	■	■	■	■	■	■	ESC (old)	□	□	□	□	□	□	□	□
1	□	□	□	□	□	□	□	□	RUB OUT	□	□	□	□	□	□	□	□




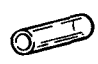
■ LEAVE TIME
□ REMOVE TIME

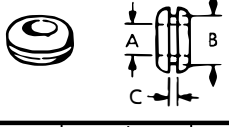
CHAR. SUPPRESSION
STOP CAM
FEED RATCHET

NOTE: THE 8TH CODE LEVEL MUST BE CODED AS SHOWN FOR EVEN PARITY OPERATION. OTHERWISE 8TH CODE LEVEL TIME MAY BE REMOVED FOR ALL CHARACTERS.

FIGURE 20. 8 LEVEL CODING INSTRUCTIONS FOR THE ANSWER BACK DRUM

CABLE CLAMPS	
	
Part No.	I.D.
121242	1/8
121243	3/16
121244	1/4
121245	5/16
121246	3/8
121247	7/16
121248	1/2
121249	5/8
121250	3/4
121251	1

INSULATING SLEEVES		
		
Part No.	I.D.	Length
155750	3/32	1/2"
155751	1/8	1"
155752	5/64	1/2"
155753	1/8	1/2"
155754	1/16	1/2"
155755	11/64	5/8"

GROMMETS			
			
Part No.	A	B	C
154156	3/16	5/16	1/32

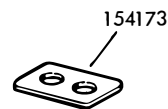
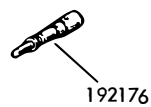
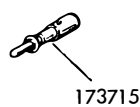
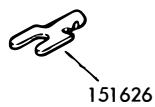
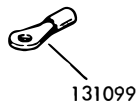
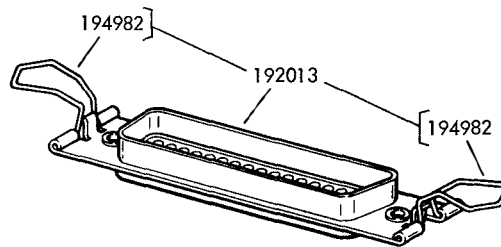
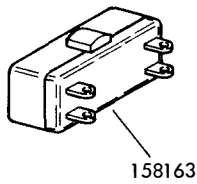


FIGURE 22. CABLE COMPONENTS

NUMERICAL INDEX

Part Number	Description and Page Number	Part Number	Description and Page Number	Part Number	Description and Page Number
274M	Coil, Magnet 17, 19	86304	Spring 15	125231	Nut (10-32 Hex) 19
1020	Screw (6-40 x 1/4 Hex) 14	86742	Nut (4-40 Hex) 16	125250	Spring 14
1028	Screw (4-40 x 1/4 Fil) 19	86835	Spring 19	125253	Spring 7, 8
1047	Screw, Shoulder (6-40) 4	86959	Bushing, Insulating 16	131099	Terminal 20
1164	Screw (2-56 x 3/16 Fil) 16	88857	Washer, Spring 6	139548	Bushing 2
1178	Screw (2-56 x 7/16 Fil) 9	89486	Stiffener 16	139555	Spring 4
1210	Screw (2-56 x 5/8 Fil) 2	90054	Spring 16	144759	Spacer 6
1256	Screw, Set (6-40) 5	90679	Washer, Felt 16	144760	Spacer 6
1257	Screw (10-32 x 1-1/8 Fil) 6	90791	Washer, Lock 15	144761	Shaft 6
1293	Screw (4-40 x 1/8 Fil) 15	91026	Screw, Shoulder (4-40) 8	144763	Plate, Nut 2
2191	Washer, Lock 2, 3, 4, 5, 6, 7, 8, 9, 10, 13, 14, 15, 16, 17, 19	91228	Strap (2-1/2" Lg) 19	144767	Plate W/Bracket, Bearing 6
2415	Spring 7, 8	91229	Strap (2" Lg) 19	144769	Button, Pivot 6
2449	Washer, Lock 19	93117	Washer, Lock 9, 16	148128	Washer, Flat 9
2669	Washer, Lock 2, 6, 13, 17, 19	93118	Washer, Lock 2	150013	Disk, Adjusting 12
3438	Washer, Flat 2, 19	93507	Screw (4-40 x 3/4 Hex) 16	150026	Lever, Shoe Release 12
3595	Nut (1/4-32 Hex) 19	96646	Screw (6-40 x 1-3/64 Fil) 5	150029	Wick, Felt 12
3598	Nut (6-40 Hex) 3, 4, 5, 6, 8, 9, 10, 13, 14, 16, 19	98869	Spacer 10	150043	Shoe, Secondary Clutch 12
3599	Nut (4-40 Hex) 2, 5, 7, 8, 9, 15, 16, 17	99803	Insulator (.094") 5	150044	Shoe, Primary Clutch 12
3606	Nut (6-40 Hex) 16	100149	Stud 4	150241	Spring 12
3608	Spring 7	102057	Screw, Shoulder (4-40) 2	150923	Washer, Felt 14, 16
3640	Washer, Lock 2, 7, 8, 9, 15, 17, 19	104451	Washer, Lock 17	150966	Insulator (1-4) 2, 3, 19
3646	Washer, Lock 19	104564	Washer, Flat 2	150990	Washer, Felt 16
3870	Spring 3, 13	104710	Ball, Bearing 9	150991	Washer, Felt 7, 8, 13
4702	Spring 13	104827	Bearing, Ball 19	151003	Keylever 11
4703	Spring 19	107398	Terminal 19	151004	Keylever 11
6345	Nut (6-32 Hex) 10, 17	108370	Washer, Felt 14	151005	Keylever 11
6970	Nut (3/8-32 Hex) 6	110434	Screw (4-40 x 3/16 Fil) 19	151006	Keylever 11
7002	Washer, Flat 2, 3, 5, 7, 9, 10, 13, 15, 16, 17, 19	110435	Nut (4-40 Hex) 19	151036	Screw, Shoulder (4-40) 16
7603	Spring 16	110743	Washer, Lock 8, 9, 12, 13, 14, 15, 16, 17	151059	Stud 5
8330	Washer, Flat 6, 7, 10, 17	111017	Screw (6-40 x 5/16 Fil) 2, 3, 17, 19	151080	Washer, Flat 9
8449	Spacer (.094") 16	111427	Washer, Flat 6	151113	Strip, Mounting 2
35826	Washer, Flat 6, 17	111677	Washer, Flat 16, 19	151118	Plate, Spacing 2
41732	Plate, Clamp 7, 8, 16	112626	Nut (10-32 Hex) 13	151146	Strap, Mounting 2
42823	Washer, Flat 12	112627	Nut (2-56 Hex) 9	151152	Screw (4-40 x 3/16 Hex) 7, 8, 9, 13, 15
42827	Screw (3-48 x 1/4 Fil) 2, 3	112630	Spring 3	151153	Bearing, Sleeve 12
43954	Bell 19	115122	Washer, Felt 13, 16	151182	Washer, Insulating 15
47024	Washer, Flat 17	117416	Post 13	151223	Screw, Shoulder (4-40) 10
49396	Washer, Flat 9	117535	Washer, Flat 6	151224	Screw, Pilot (6-40) 10
49420	Spring 4, 5, 7, 8	117541	Washer, Flat 17	151249	Keytop 11
55219	Screw (8-32 x 3/8 Fil) 19	117608	Nut, Speed 10	151250	Keytop 11
55669	Spring 2	119648	Ring, Retaining 14	151254	Keytop 11
60669	Spring 17	119649	Ring, Retaining 5, 16	151335	Stud 2, 3, 19
71073	Washer, Flat 16	119651	Ring, Retaining 3, 10, 14, 16	151346	Screw (6-40 x 3/8 Fil) 19
74755	Washer, Felt 13	119652	Ring, Retaining 13, 17	151352	Spring, Flat 3
74805	Screw (10-32 x 3/4 Hex) 13	119653	Ring, Retaining 4, 5	151415	Block, Terminal 2, 3, 19
74962	Spring 5	119654	Ring, Retaining 7, 8	151416	Nut (6-40 Hex) 2, 3, 19
76081	Washer, Flat 7, 8	119655	Ring, Retaining 19	151442	Screw (6-40 x 1/2 Hex) 6, 13
76099	Washer, Flat 13	120489	Spacer 14	151540	Lampholder 19
76422	Spring 17	120824	Washer, Felt 12	151564	Bracket 19
77039	Bushing, Insulating 7, 8	120870	Wick, Felt 14	151565	Bushing, Shoulder 19
80478	Post, Spring 8	121242	Clamp, Cable (1/8" ID) 3, 20	151567	Armature w/Clapper
80581	Spring 8, 14	121243	Clamp, Cable (3/16" ID) 20	151574	Grommet, Rubber 19
81726	Terminal 7, 8	121244	Clamp, Cable (1/4" ID) 20	151577	Screw (6-40 Shoulder) 19
81731	Spring 7	121245	Clamp, Cable (5/16" ID) 20	151579	Plate, Retaining 19
82249	Washer, Flat 8	121246	Clamp, Cable (3/8" ID) 20	151606	Screw (10-32 x 1/4 Hex) 17
82474	Terminal 19	121247	Clamp, Cable (7/16" ID) 20	151618	Screw (6-40 x 7/16 Fil) 10
82547	Insulator (.094") 7, 8, 16	121248	Clamp, Cable (1/2" ID) 20	151626	Terminal 5, 20
82548	Insulator (.062") 7, 8, 16	121249	Clamp, Cable (5/8" ID) 20	151630	Screw (6-40 x 1/4 Hex) 2, 3, 6, 7, 8, 10, 17, 19
82860	Spring 8	121250	Clamp, Cable (3/4" ID) 20	151631	Screw (6-40 x 5/16 Hex) 2, 3, 6, 10, 13, 19
82999	Spring 8	121251	Clamp, Cable (1" ID) 20	151632	Screw (6-40 x 3/8 Hex) 2, 3, 5, 6, 8, 10, 15, 17, 19
83877	Spring 8	121473	Post 9	151658	Screw (6-40 x 5/16 Fil) 19
85976	Washer, Flat 9	121539	Terminal 19	151659	Screw (6-40 x 1/2 Fil) 10
86283	Spring 7, 8, 9	125011	Washer, Flat 7, 8, 9, 13	151678	Screw, Pilot (1/4-32) 2
		125015	Washer, Flat 6, 10, 16, 19		
		125126	Screw (2-56 x 9/32 Fil) 15		
		125154	Screw, Shoulder (3-48) 8		

NUMERICAL INDEX (Continued)

Part Number	Description and Page Number	Part Number	Description and Page Number	Part Number	Description and Page Number
151685	Screw (4-40 x 5/16 Fil) 17	154105	Post, Transfer Bail 14	160593	Terminal 16
151688	Screw (4-40 x 5/8 Fil) 7, 8	154109	Plunger 3	161295	Gear Set (100 WPM) 6
151692	Screw (6-40 x 3/16 Fil) 4	154115	Plate, Guide 3	161301	Post 6, 19
151722	Screw (6-40 x 3/16 Hex) 2, 3, 5, 7, 8, 14	154120	Lever, Code Bar 7, 8	161346	Washer, Felt 14
151723	Screw (10-32 x 3/8 Hex) 2, 6	154125	Spring 7, 8	162333	Stud, Locating 4, 5
151724	Screw (10-32 x 5/8 Hex) 6	154126	Bracket 5	163440	Gear (48 T) 6
151728	Spring 12	154127	Nut (6-40 Hex) 16	164399	Cable W/Terminals 19
151737	Screw (4-40 x 11/64 Hex) 12	154130	Box, Contact 15	165261	Screw (4-40 x 3/8 Oval) 10
151827	Strap, Terminal 3	154131	Cover, Contact 15	170324	Bracket, Front 7
151843	Screw, Adjusting (6-40) 9	154138	Washer, Felt 12	170361	Bar, Clutch Trip 7, 8
151939	Grommet, Rubber 19	154156	Grommet, Rubber 20	170363	Bracket, Left 7, 8
151982	Lamp, Incandescent (6V) 19	154166	Suppressor, Arc 15	170364	Bracket, Right 7, 8
152045	Guard, Gear 2	154173	Plate 20	170365	Guide, Code Lever 7, 8
152129	Spring 17	154178	Spring 14	170368	Shaft 7, 8
152318	Switch, Magnetic 5	154189	Insulator 15	170369	Bracket, Support 7
152461	Bracket 19	154191	Spring 8, 16	170370	Lever, Function 7, 8
152462	Latch, Right 19	154193	Plate 5	170371	Lever, Function 7, 8
152463	Latch, Left 19	154199	Shim (.005") 2	170372	Bail, Universal 9
152464	Insulator (.062" Thk) 19	154201	Shim (.014") 2	170373	Blade, Rear 9
152467	Connector, Plug (20 Pt) 19	154208	Bracket, Switch 2	170374	Blade, Front 9
152893	Screw (6-40 x 1/4 Hex) 2, 8, 9	154215	Spring 16	170375	Lever (Aux) 7, 8
153109	Lever, Function 4	154217	Wick, Leather 14	170379	Retainer, Ball 9
153280	Keytop 11	154227	Bracket, Support 5	170380	Retainer, Wedge 9
153441	Screw (10-32 x 7/16 Hex) 17, 19	154236	Lever, Latch 13	170385	Frame W/Bushing 13
153538	Screw (6-40 x 7/16 Hex) 17	154238	Extension 9	170386	Guide, Transfer Lever 14
153817	Screw (4-40 x 3/8 Hex) 9, 15	154239	Extension W/Post 9	170388	Post, Guide 14
153819	Washer, Lock 2, 3	154240	Bail, Code Bar 16	170390	Bail, Locking 14
153839	Screw (6-40 x 5/8 Hex) 17	154241	Stud 16	170391	Guide, Transfer Lever 14
153841	Screw (6-40 x 9/16 Hex) 2, 10, 13	154386	Plate, Adjusting 16	170392	Lever, Non-Repeat 16
154000	Base 2, 3, 4, 5	154694	Disk, Clutch Cam 12	170395	Bracket, Function Bail 5
154008	Guide, Code Bar 7	155083	Lens, Red 19	170397	Bail (LCR) 5
154009	Plate, Front 14	155750	Sleeve, Insulating (3/32 ID x 1/2" Lg) 20	170398	Lever (LLF) 5
154010	Bail, Transfer 14	155751	Sleeve, Insulating (1/8 ID x 1" Lg) 20	170406	Bracket, Left Space Bar 10
154013	Bracket, Spring 7, 8	155752	Sleeve, Insulating (5/64 ID x 1/2" Lg) 20	170407	Bracket, Right Space Bar 10
154015	Post 16	155753	Sleeve, Insulating (1/8 ID x 1/2" Lg) 20	170409	Bail, Space Bar 10
154019	Follower, Eccentric 12	155754	Sleeve, Insulating (1/16 ID x 1/2" Lg) 20	170414	Lever, Function 7, 8
154021	Link 10	155755	Sleeve, Insulating (11/64 ID x 5/8" Lg) 20	173096	Stud, Eccentric 16
154027	Bellcrank 16	156503	Wick, Felt 12	173715	Terminal, Plug Type 20
154029	Wick, Felt 12	156509	Washer, Flat 14	174250	Pin, Roll 6
154030	Shaft, Signal Generator 12	156516	Latch 14	176339	Post 16
154032	Sleeve, Gear 12	156574	Post, Spring 9	176352	Box Assembly, Contact 1, 15
154033	Lever, Clutch Latch 13	156630	Washer, Felt 14	176354	Sleeve 14
154034	Lever, Clutch Stop 13	156632	Screw (6-40 x 13/32 Hex) 6	176663	Link 3
154036	Plate, Detent 14	156644	Link, Drive 15	176752	Ring, Retaining 17
154046	Stud 13	156740	Screw (6-40 x 7/32 Hex) 9, 17	176900	Base 19
154047	Post, Spring 14	158163	Switch, Sensitive 2, 20	176908	Shaft 19
154051	Screw, Shoulder (6-40) 16	158164	Lever W/Hub 2	176923	Plate, Vibration 19
154053	Bail, Clutch Trip 13	158231	Contact, Lock Bar 5	176924	Plate, Nut 19
154056	Bracket, Contact Box 15	158268	Latch W/Hub 16	176929	Retainer, Belt 19
154059	Bracket, Function Bail 4	158275	Plate, Clamp 5	176932	Plate, Upper Bearing 19
154066	Lever (LOC-LF) 4	158277	Screw (3/48 x 1 Rd) 5	176933	Stud 19
154071	Screw, Pilot (1/4-32) 7, 8	158745	Clamp, Bearing 6, 19	176936	Bracket, Left 19
154072	Bracket, Stop 7, 8	158816	Spring, Contact 7, 8	176937	Bracket, Right 19
154076	Plate, Nut 2	158828	Bushing, Mounting 6	176941	Plate, Nut 19
154080	Lock, Wedge 9	159284	Pinion (20 T) 6	176944	Plate, Nut 19
154083	Spacer, Cam 12	159285	Gear (84 T) 6	178142	Camsleeve 12
154084	Bearing 16	159287	Retainer, Pinion 6, 19	178144	Contact Assembly 7, 8
154087	Plate, Nut 2	159327	Washer, Flat 16	178145	Bracket, Switch 7, 8
154088	Plate, Nut 2, 3	159334	Washer, Insulating 8, 16	178146	Guard 7, 8
154091	Guide, Non-Repeat Lever 16	159341	Bearing, Ball 6	178147	Spring, Contact 7, 8
154092	Shaft, Function Lever 4, 5	160090	Lever, Transfer 14	178536	Window, Plastic 10
154094	Clamp 13			178537	Tissue 10
154095	Eccentric, Contact Box 15			178538	Label, Blank 10
154096	Bushing, Eccentric 13			178539	Paper, White Carbon 10
154099	Bail, Function (LOC-CR) 4			178540	Label, Instruction 10
154101	Plate, Rear 13			178547	Plate, Nut (10-32) 19

NUMERICAL INDEX (Continued)

Part Number	Description and Page Number	Part Number	Description and Page Number	Part Number	Description and Page Number
178549	Bumper, Rubber 19	183892	Keytop 11	192556	Frame 10
178714	Switch, Rocker 10	192013	Connector, Plug (50 Pt) 20	192557	Grommet, Rubber 10
179372	Shield, Light 19	192020	Bracket, Mounting 17	192558	Bar, CR Code 7, 8
179639	Contact Assembly 15	192021	Plate, Left Nut 2	192559	Bar, Counter Code 7, 8
180160		192022	Gear (90 T) 17	192579	Bushing, Shoulder 7, 8
	thru	192025	Washer, Thrust 17	192589	Post, Stop 16
180203	Keytop 11	192026	Hub, Gear 6	192595	Post, Eccentric 16
180205	Keytop 11	192027	Spacer, Disk 17	192596	Follower, Cam 16
180250	Keytop 11	192028	Bushing, Shoulder 17	192597	Bracket 16
180257	Keytop 11	192029	Shaft, Main 17	192604	Stud 16
180259	Keytop 11	192030	Bearing 17	192630	Bracket 2, 3
180260	Keytop 11	192031	Shaft 6	192649	Post, Spring 16
180261	Keytop 11	192032	Plate, Right Nut 2	192681	Screw (4-40 Spl) 9
180263	Keytop 11	192034	Bearing, Clutch 17	193723	Spring, Spring 19
180273	Keytop 11	192035	Lever, Clutch Release 17	194816	Spring 17
180274	Keytop 11	192036	Drum, Shaft 17	194955	Lever W/Hub 5
180278	Keytop 11	192037	Spring, Right Clutch 17	194957	Cable Assembly 5
180282	Keytop 11	192038	Lever, Stop 17	194982	Clip, Connector 20
180320	Keytop 11	192039	Cam, Feed 17	195050	Bracket 7, 8
180321	Keytop 11	192040	Bearing 17	195051	Plate 16
180323	Keytop 11	192041	Bracket, Feed Lever 17	195052	Plate, Nut 16
180324	Keytop 11	192042	Shaft 17	195053	Cover, Insulating 16
180326	Keytop 11	192043	Bail, Feed 17	195186	Screw (4-40 x 7/8 Hex) 15
180327	Keytop 11	192044	Screw, Shoulder (4-40) 17	195432	Spring, Contact 16
180328	Keytop 11	192045	Spring, Feed Pawl 17	195433	Spring, Contact 16
180331	Keytop 11	192047	Bracket, Yoke 17	195617	Spring 17
180332	Keytop 11	192048	Armature, Clutch Stop 17	195618	Jumper (5-3/4" White and Purple) 17
180333	Keytop 11	192049	Relay 17	195884**	Plate, Left 10
180334	Keytop 11	192050	Screw, Shoulder (10-32) 17	195885**	Plate, Right 10
180335	Keytop 11	192052	Ring 17	195992	Belt, Toothed (83 T) 19
180336	Keytop 11	192176	Terminal, Plug Type 20	195993	Gear (26 T) 19
180383	Keytop 11	192189	Bracket, Receptacle 17	195994	Pulley, Toothed (34 T) 19
180384	Keytop 11	192207	Pin, Roll 17	195995	Pulley, Toothed (12 T) 19
180385	Keytop 11	192225	Contact Assembly 17	195997	Gear (34 T) 19
180422	Keytop 11	192299	Keytop 11	195999	Gear (21 T) 19
180423	Keytop 11	192331	Plate 2	197005	Lever, Function 7, 8
180425	Keytop 11	192452	Bracket 2	197013	Lever, Selector 14
180426	Keytop 11	192453	Plate, Connector 2	197015	Bracket, Mounting 5
180428	Keytop 11	192457	Keylever Assembly 4	197016	Insulator (.020") 3
180429	Keytop 11	192458	Keylever Assembly 4	197017	Latch, Lock 8
180430	Keytop 11	192485	Contact Assembly 16	197018	Lever, Keyboard Lock 5
180431	Keytop 11	192497	Bracket 3	197019	Box Assembly, Contact 1, 15
180432	Keytop 11	192498	Bracket 4	197040	Keytop 11
180433	Keytop 11	192503	Cable Assembly 2	198530	Plate, Spring 8
180434	Keytop 11	192508	Cable Assembly 2	198531	Plate, Blocking 8
180435	Keytop 11	192510	Keytop 11	198533	Plate, Blocking 8
180675	Screw, Self-Tapping (#6) 3	192511	Bar, Space 10	198534	Arm W/Roller 8
180823	Block, Contact 17	192521	Bar, Code (#1) 7, 8	198535	Post 8
180824	Contact, Common 17	192522	Bar, Code (#2) 7	198536	Bar, Shift Block 8
180826	Lever, Detent 17	192523	Bar, Code (#3) 7, 8	198537	Bar, Control Lock 8
180827	Drum, Answer Back 17	192524	Bar, Code (#4) 7, 8	198538	Bar, Code (#5) 8
180828	Pawl, Feed 17	192525	Bar, Code (#5) 7, 8	198539	Bail, Blocking 8
180842	Spacer 17	192526	Bar, Code (#6) 7, 8	198540	Bail, Locking 8
180854	Brace 17	192527	Bar, Code (#7) 7, 8	198541	Screw, Shoulder (6-40) 8
180858	Contact, Wire 17	192529	Bar, Code (Shift) 7	198542	Bar, Code (#8 I) 8
180904	Tab, Terminal 3	192530	Bar, Shift Lock 7	198543	Bar, Code (#8) 8
180979	Brush, Carbon 17	192531	Lever, Selector 14	198544	Guide, Left Code Bar 8
180980	Holder, Brush 17	192533	Plate, Rear 16	198545	Guide, Right Code Bar 8
180987	Disk (8 Level) 17	192534	Post, Locking Bail 14	198547	Bar, Code (#1) 8
180992	Spring, Torsion 17	192535	Bail W/Post 7	198548	Bar, Code (#2) 8
182648	Connector, Receptacle Type (12 Pt) 17	192537	Plate, Adjusting 7	199193	Bushing 15
183888	Keytop 11	192538	Plug, Button 10	305064	Keytop 11
183889	Keytop 11	192552	Channel, Ball 9	305736	Gear (63 T) 6
183890	Keytop 11	192553	Bracket, Left Mounting 10	308429	Bar, Code (#3) 8
183891	Keytop 11	192554	Bracket, Right Mounting 9, 10	308430	Bar, Code (#6) 8
		192555	Plate, Keytop Guide 10, 11		

**Refer to page 1 for finish suffix

NUMERICAL INDEX (Continued)

Part Number	Description and Page Number	Part Number	Description and Page Number	Part Number	Description and Page Number
308431	Bar, Code (#7) 8	310630	Bushing, Eccentric 17	311490	Pinion (20 T) 6
309507	Contact 9	311285	Screw, Shoulder (6-40) 8	311491	Gear (126 T) 6
309508	Bracket, Left 9			311741	Bracket, Space Bar 10
309509	Bracket, Right 9	311488	Gear Set (67 WPM) 6	312994	Modification Kit 9
				312995	Bar, Retainer 9