

28 PERFORATOR, NON-TYPING (LPE) AND TYPING (LTPE)

PARTS

FIGURE	CONTENTS	PAGE	FIGURE	CONTENTS	PAGE
1	Frame Mechanism (Typing Perforator)	2	21	Typing Mechanism	21
2	Frame Mechanism (Typing Perforator)	3	22	Tape Depressor Mechanism	22
3	Frame Mechanism (Non-Typing Perforator)	4	23	159364 Modification Kit to Add Power Drive to Backspace	23
4	Frame Mechanism (Non-Typing Perforator)	5	24	159379 Modification Kit to Add "Make Only" Code Reading Contacts	24
5	Frame and Motor Mounting Parts (Non-Typing Perforator)	6	25	160881 Modification Kit to Add Guard to Cover Backspace Mechanism	24
6	Main Shaft Mechanism (Typing Perforator)	7	26	178917 Modification Kit to Provide Backspace Mechanism for Fully Perforated Tape and Printing Between Feed Holes	25
7	Main Shaft Mechanism (Non-Typing Perforator)	8	27	178918 Modification Kit to Provide Guard for Backspace Mechanism	25
8	Punch Rear Plate Mechanism	9	28	159381 and 159382 Modification Kits to Add Auxiliary Timing Contacts	26
9	159363 and 172640 Modification Kit to Add Manual Backspace	9	29	161340 Modification Kit to Add Manual Interfering Letters Tape Feed-Out	27
10	Punch Block Assemblies	10	30	161341 Modification Kit to Add Solenoid Operation to Letters Feed-Out	27
11	Punch Front Plate Mechanism	11	31	159360 Modification Kit to Add Signal Bell Contact (On Upper Case "S")	28
12	Punch Bail Mechanism	12	32	162375 Modification Kit to Add "Unshift on Space"	28
13	Rotary Positioning Mechanism	13	33	Typewheels	29
14	Rotary Positioning Mechanism	14		Numerical Index	30
15	Axial Positioning Mechanism	15			
16	Axial Positioning Mechanism	16			
17	Function Box Mechanism	17			
18	Transfer Mechanism	18			
19	Ribbon Feed Mechanism (Early Design)	19			
20	Ribbon Feed Mechanism (Later Design)	20			

NOTE:

When ordering parts from this section, prefix each number with the letters TP.

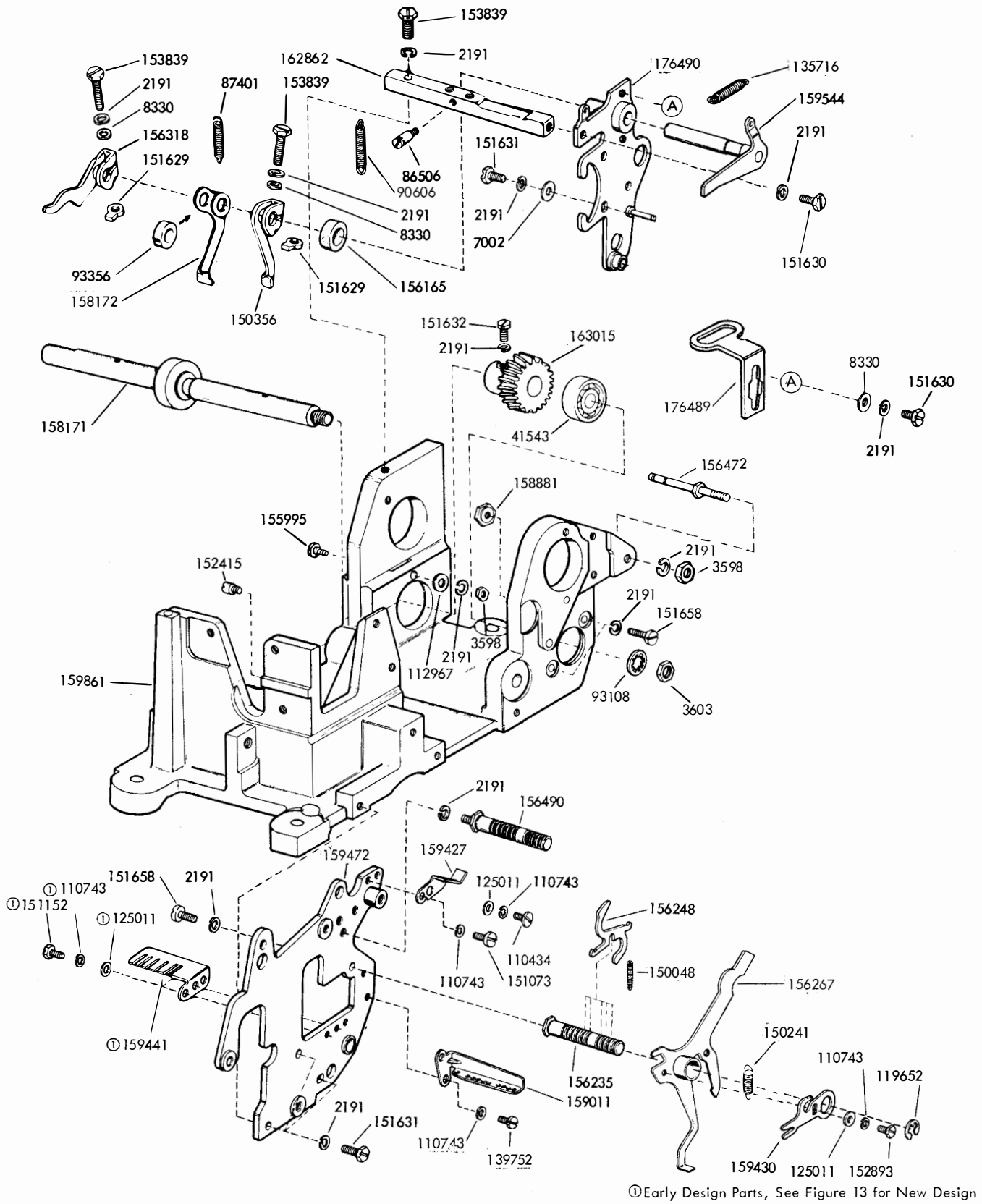
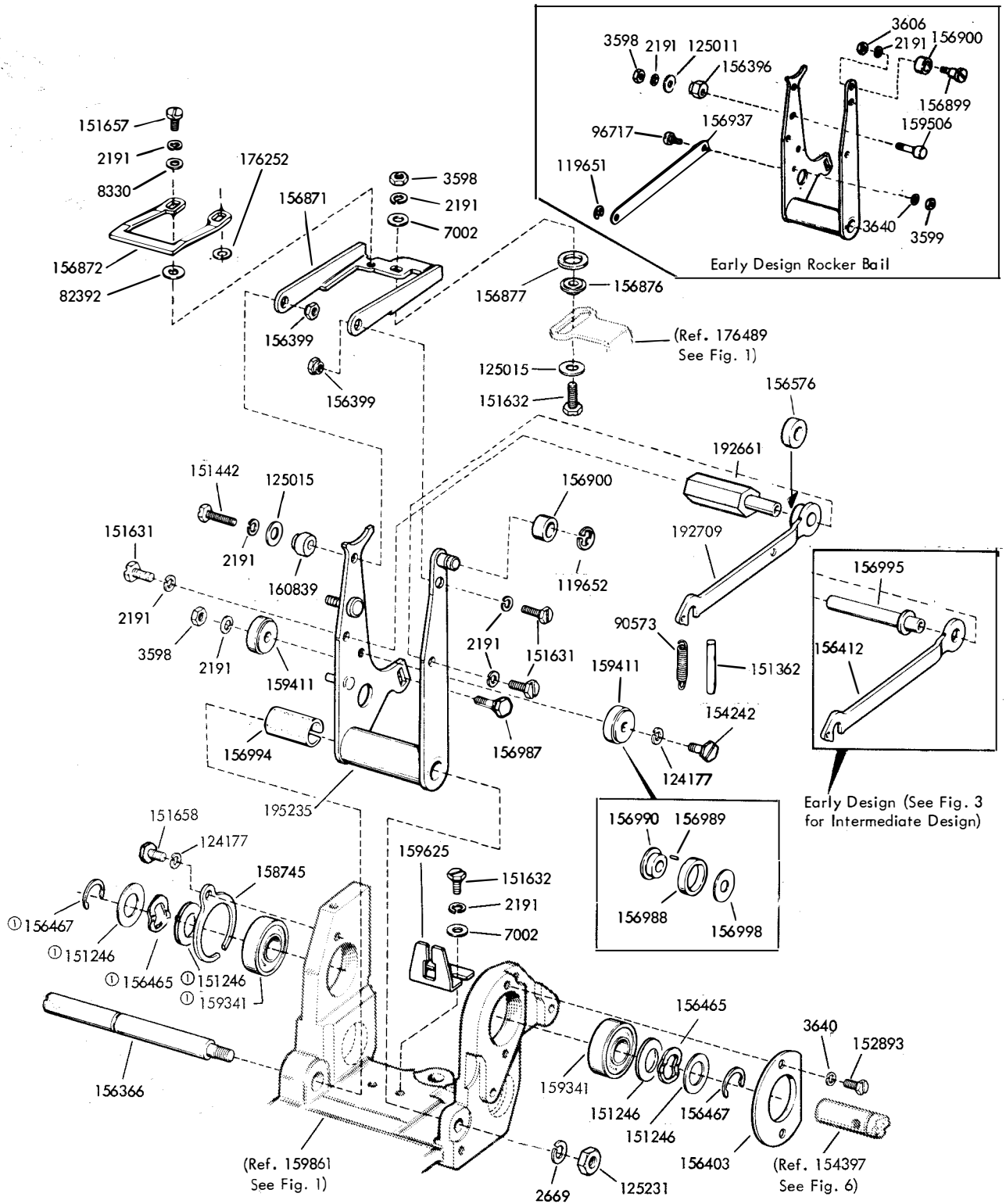


FIGURE 1. FRAME MECHANISM (TYPING PERFORATOR)



Ⓛ These parts are not required with the later design shaft (154397). See Figure 6.

FIGURE 2. FRAME MECHANISM (TYPING PERFORATOR)

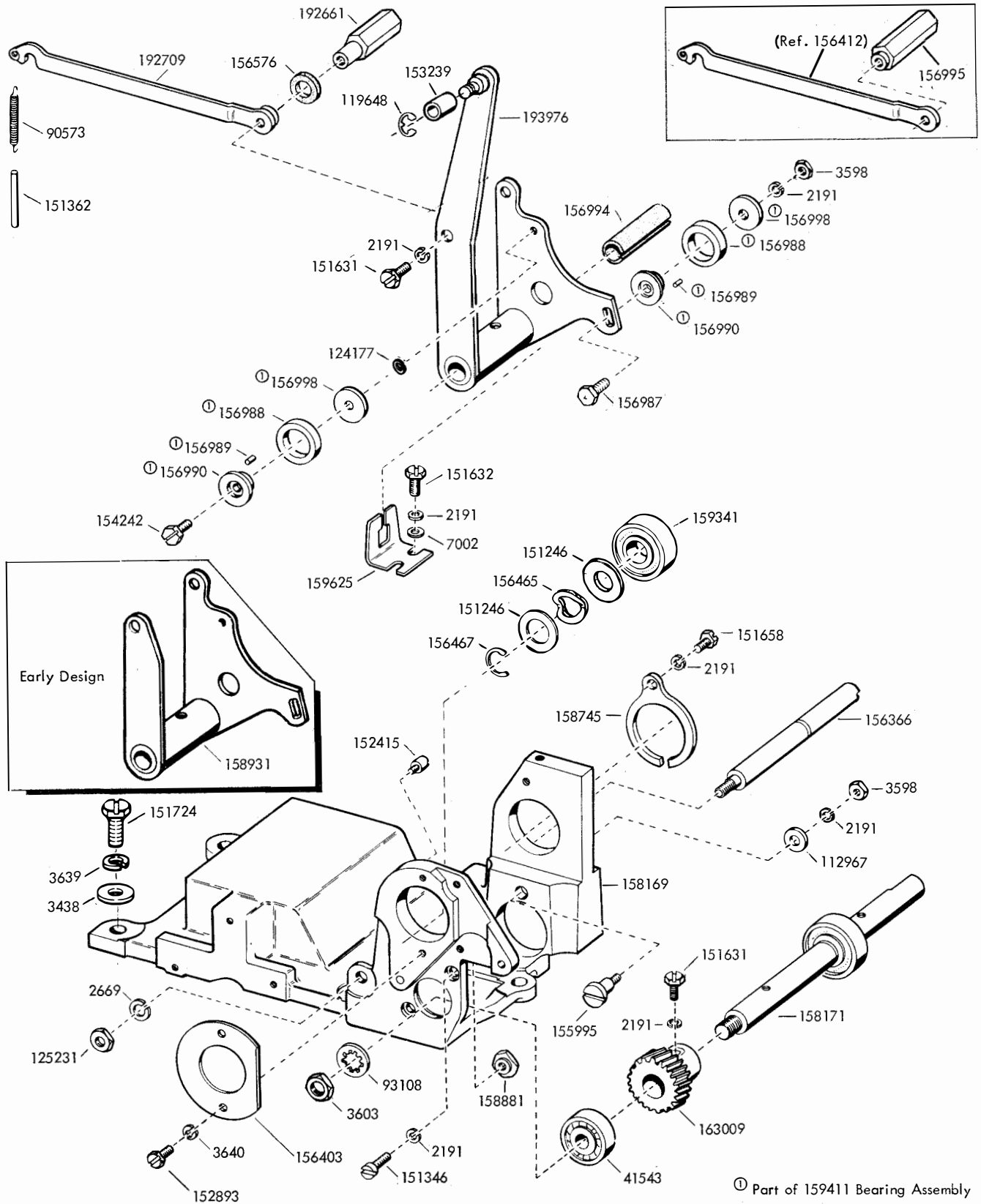


FIGURE 3. FRAME MECHANISM (NON-TYPING PERFORATOR)

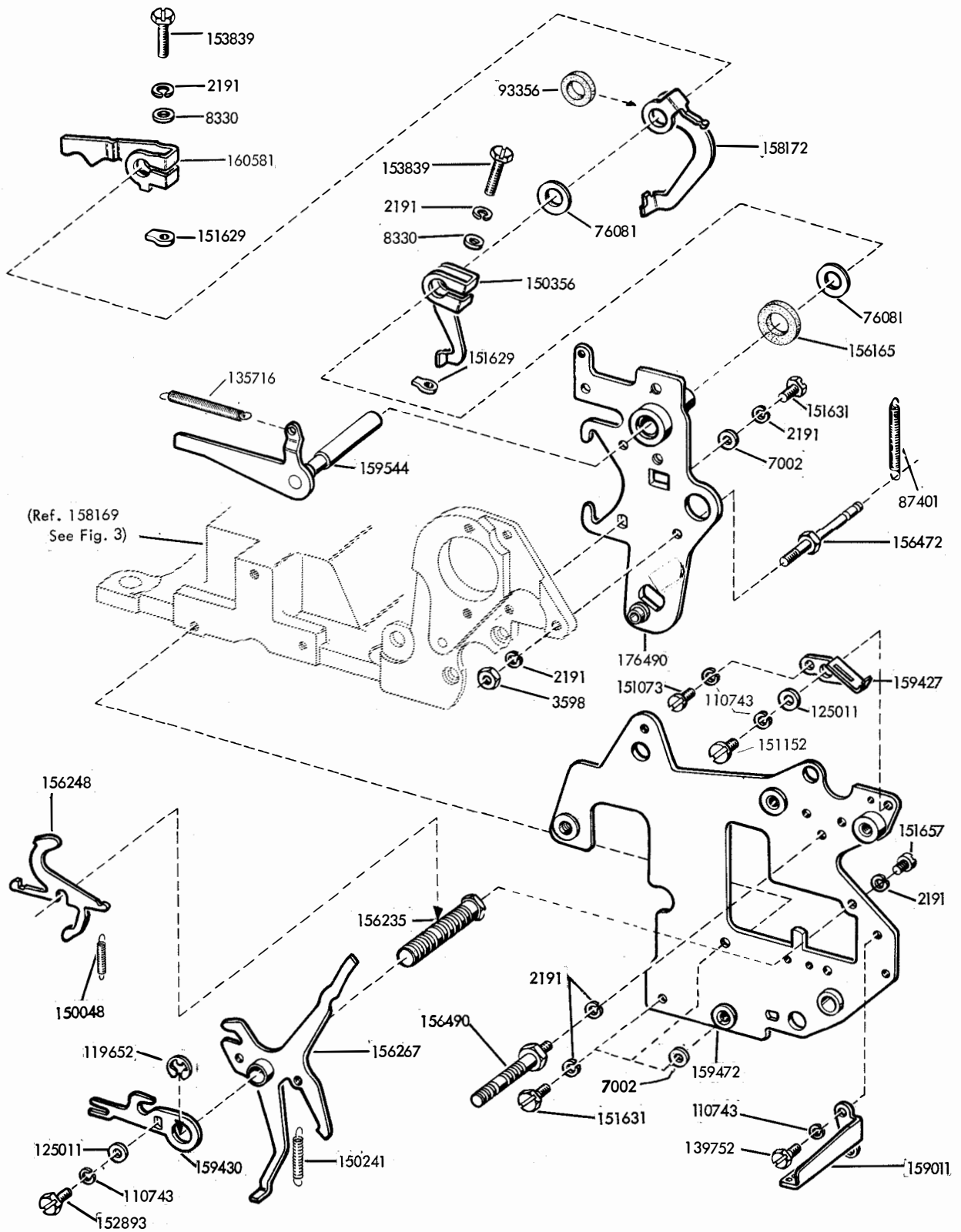
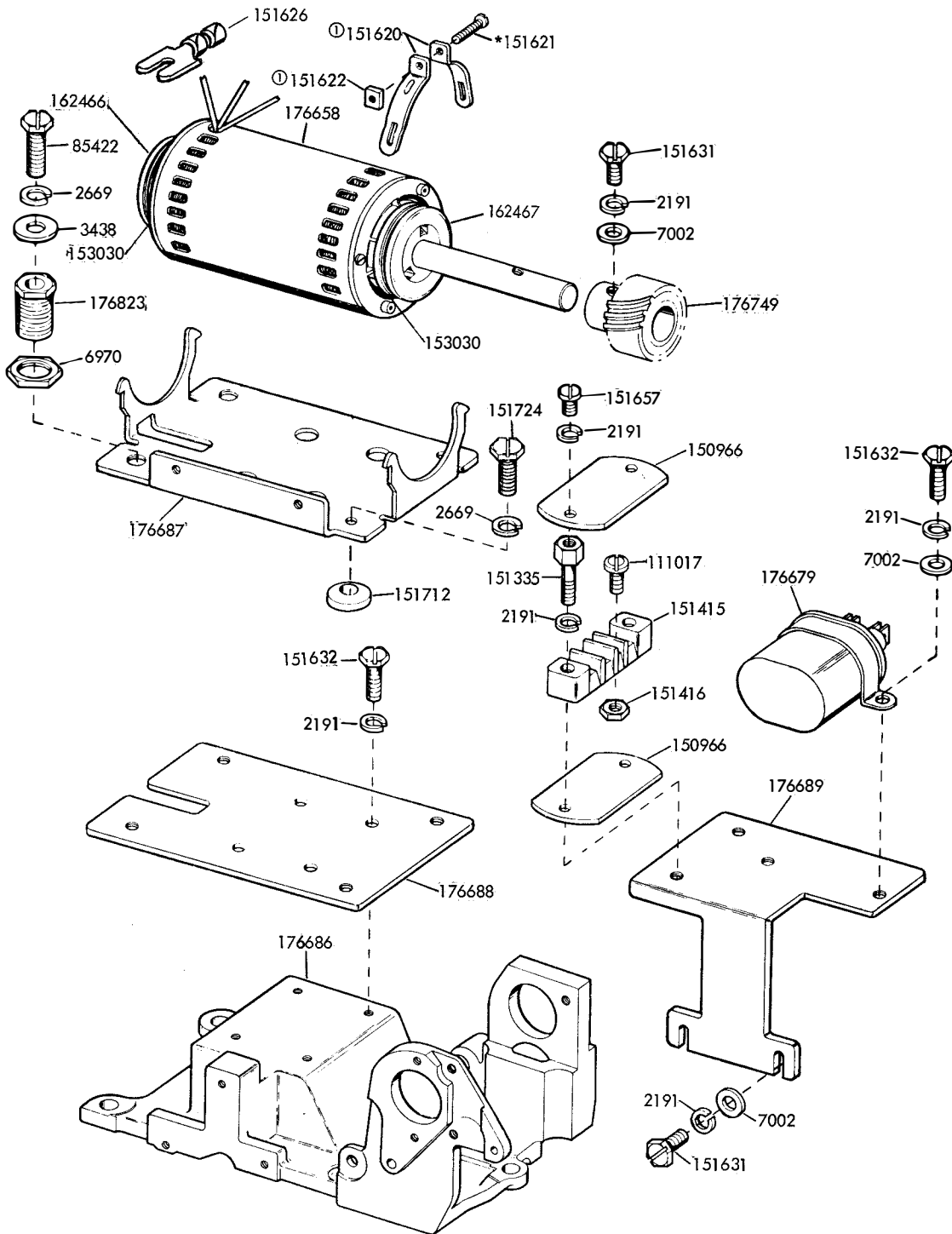


FIGURE 4. FRAME MECHANISM (NON-TYPING PERFORATOR)



①22207 Strap Mounting Assembly

FIGURE 5. FRAME AND MOTOR MOUNTING PARTS (NON-TYPING PERFORATOR)

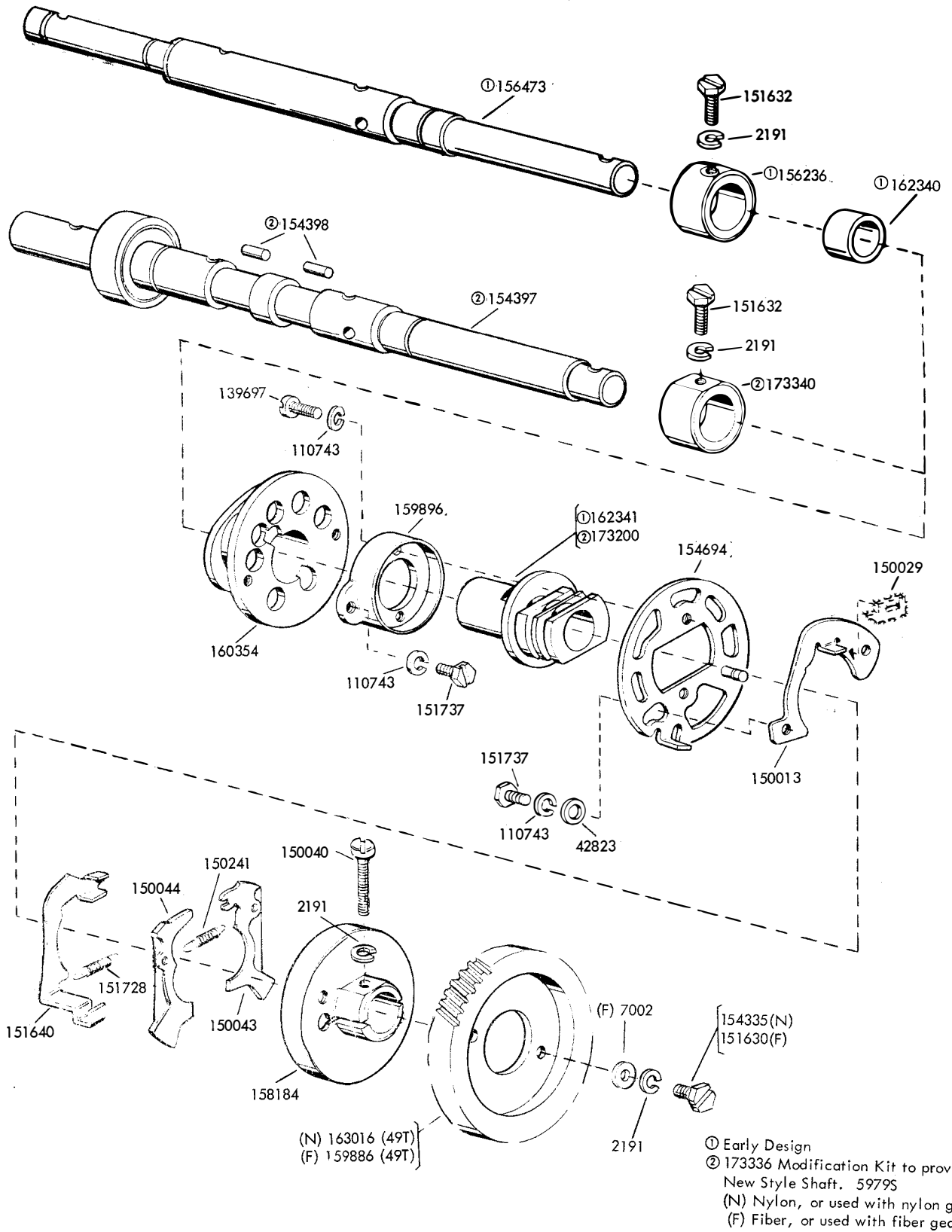


FIGURE 6. MAIN SHAFT MECHANISM (TYPING PERFORATOR)

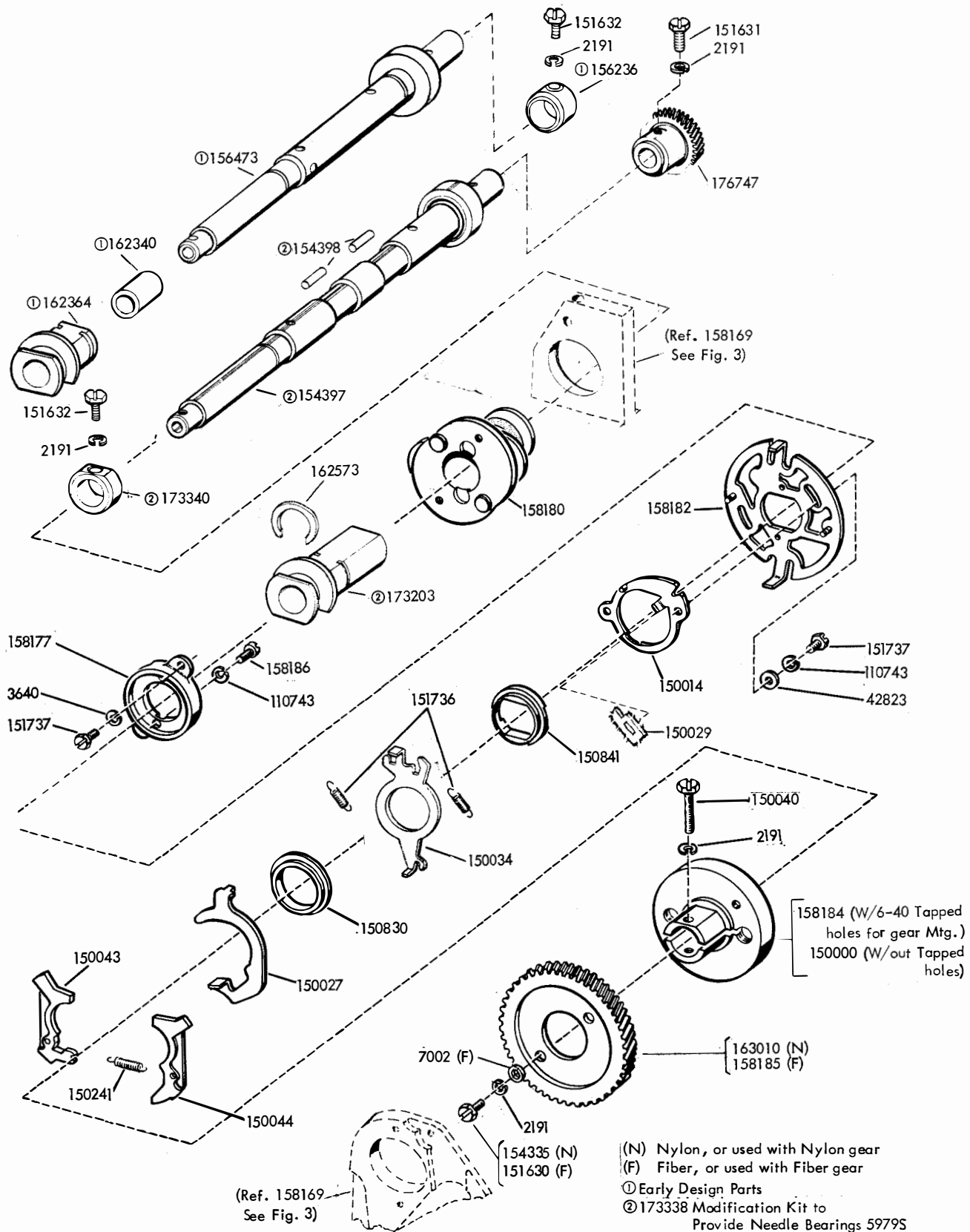
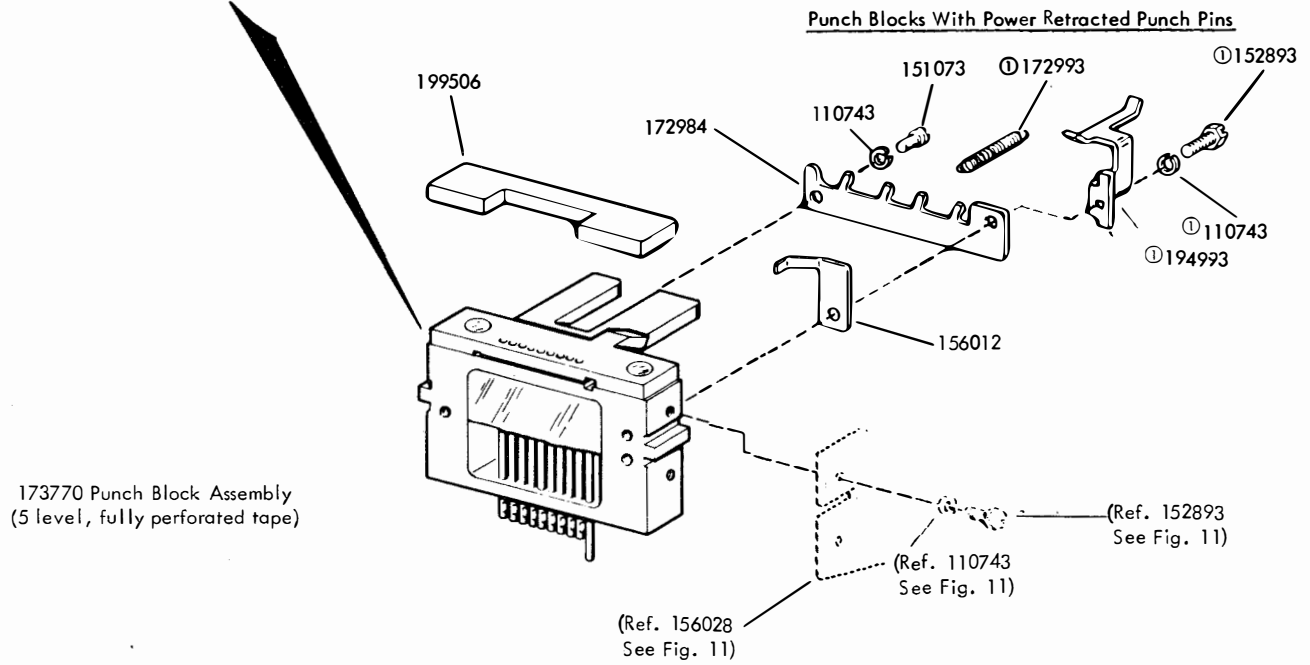
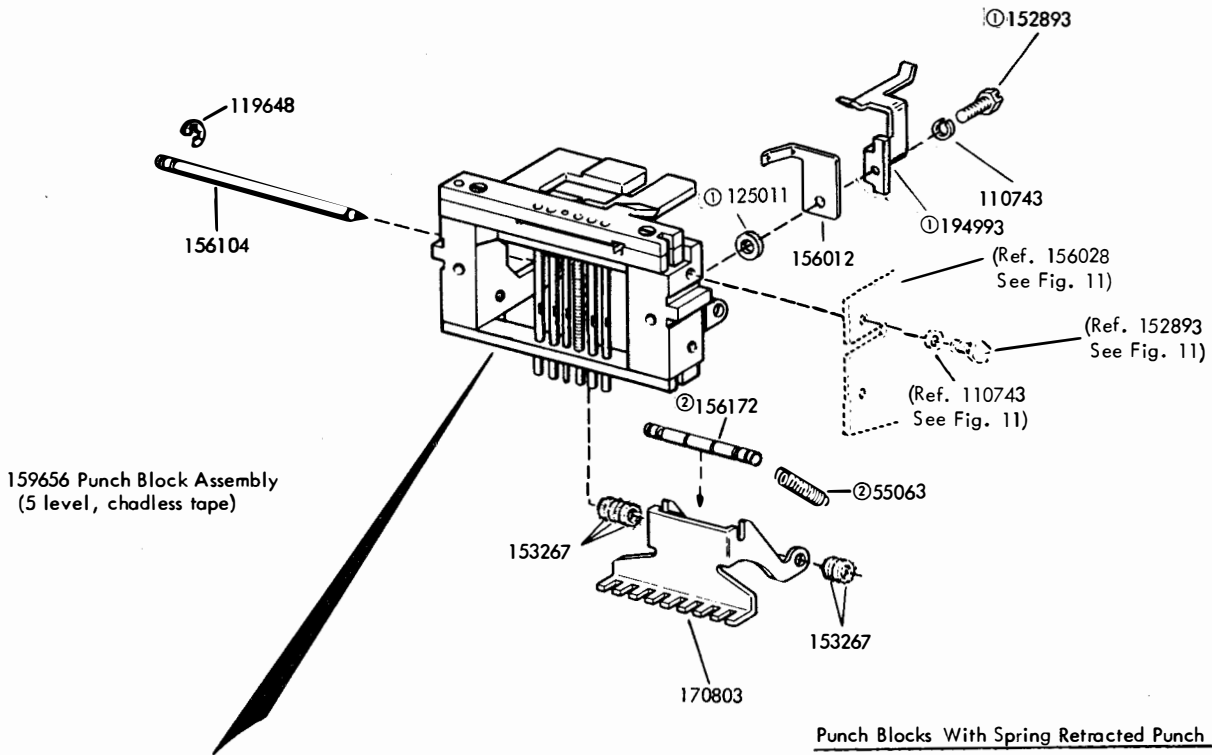
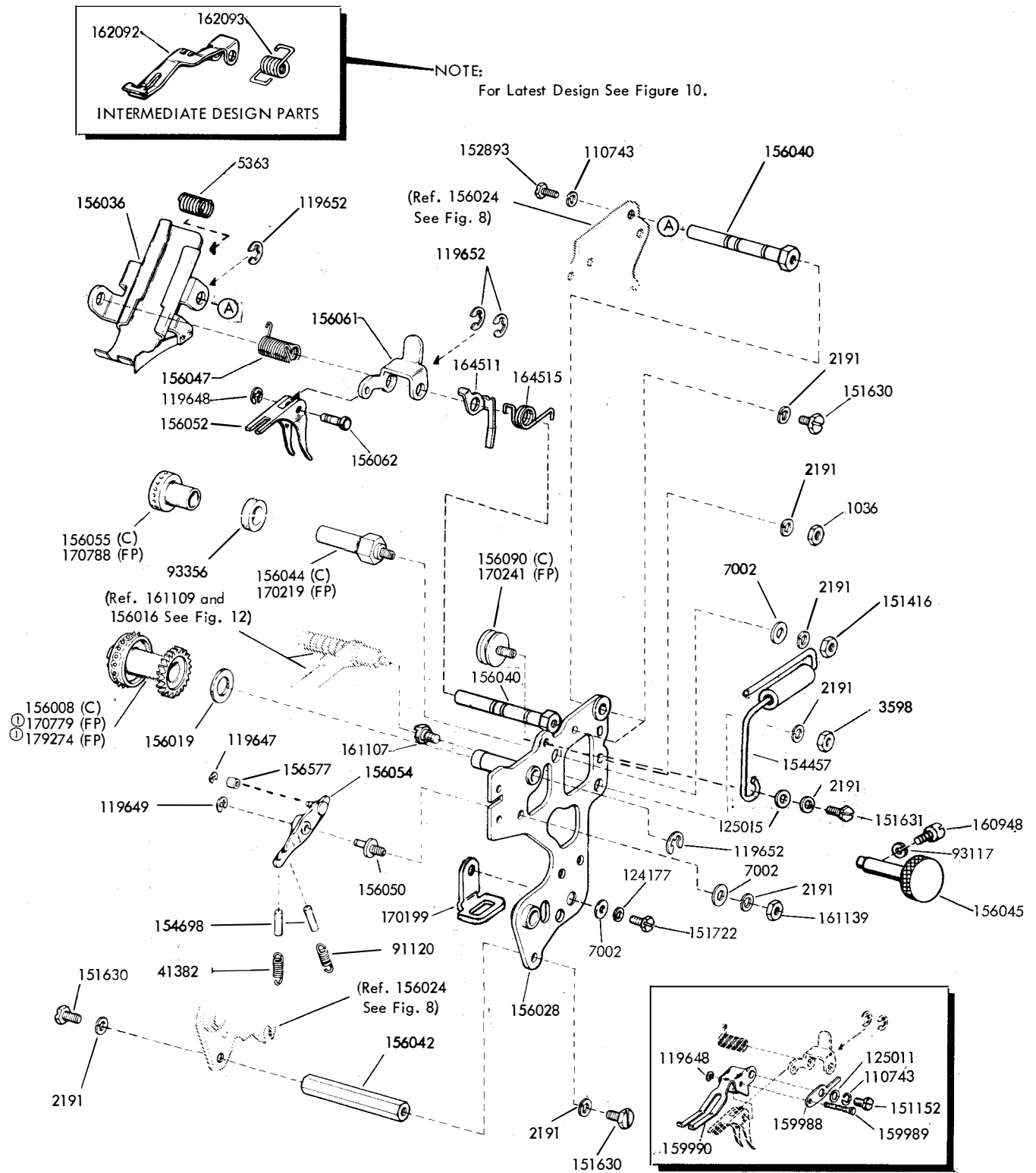


FIGURE 7. MAIN SHAFT MECHANISM (NON-TYPING PERFORATOR)



① 194992 Modification Kit to provide Tape Guide Specification 50, 1885
② Not Part of Punch Block Assemblies

FIGURE 10. PUNCH BLOCK ASSEMBLIES



① When used with the 170778 punch block assembly the 170779 feed wheel produces tape with the feed hole indent punched out. The 179274 feed wheel places the indent between the feed holes and is identified by a black dot on the shank.

FIGURE 11. PUNCH FRONT PLATE MECHANISM

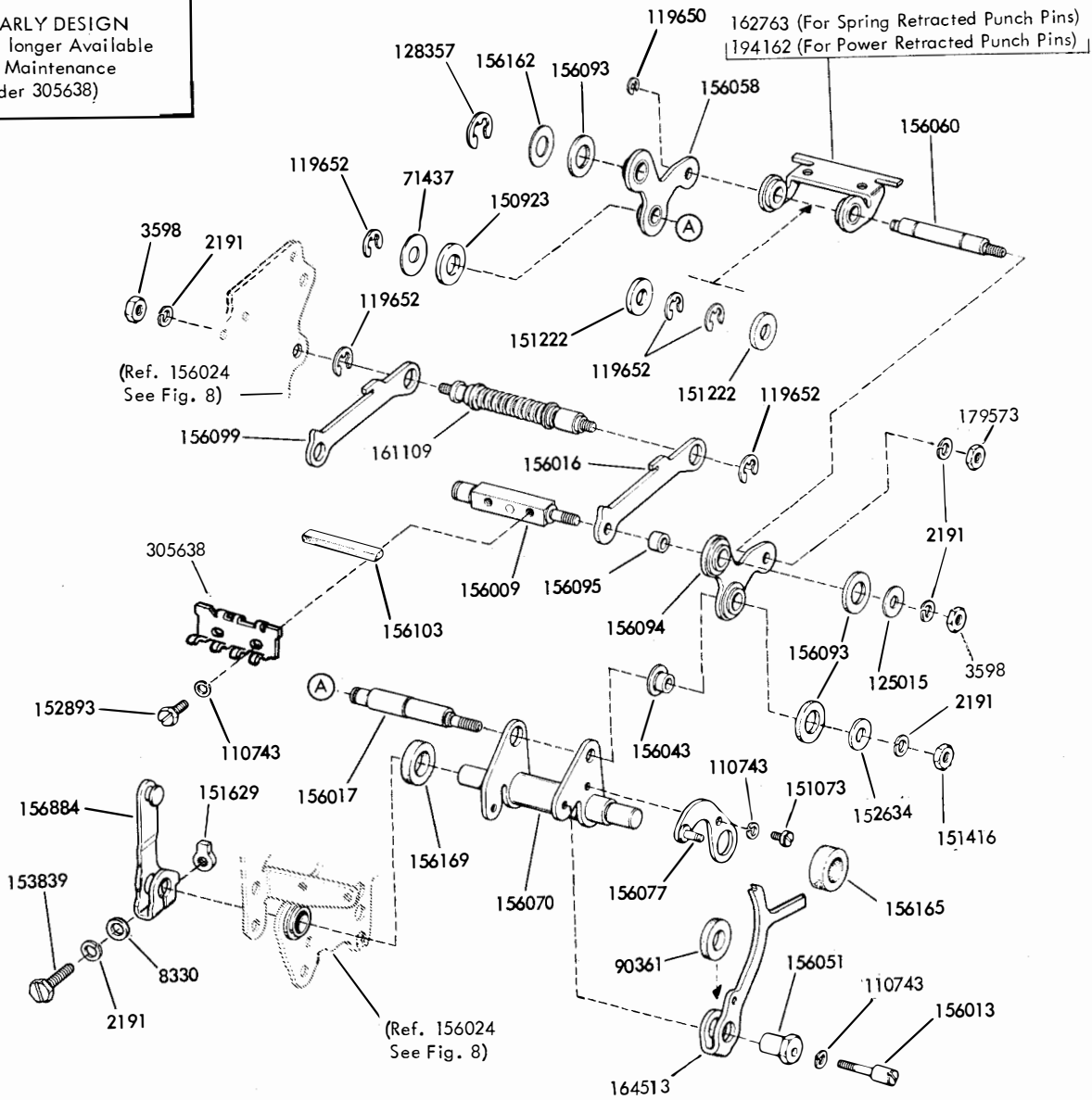
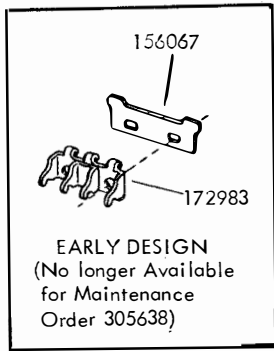


FIGURE 12. PUNCH BAIL MECHANISM

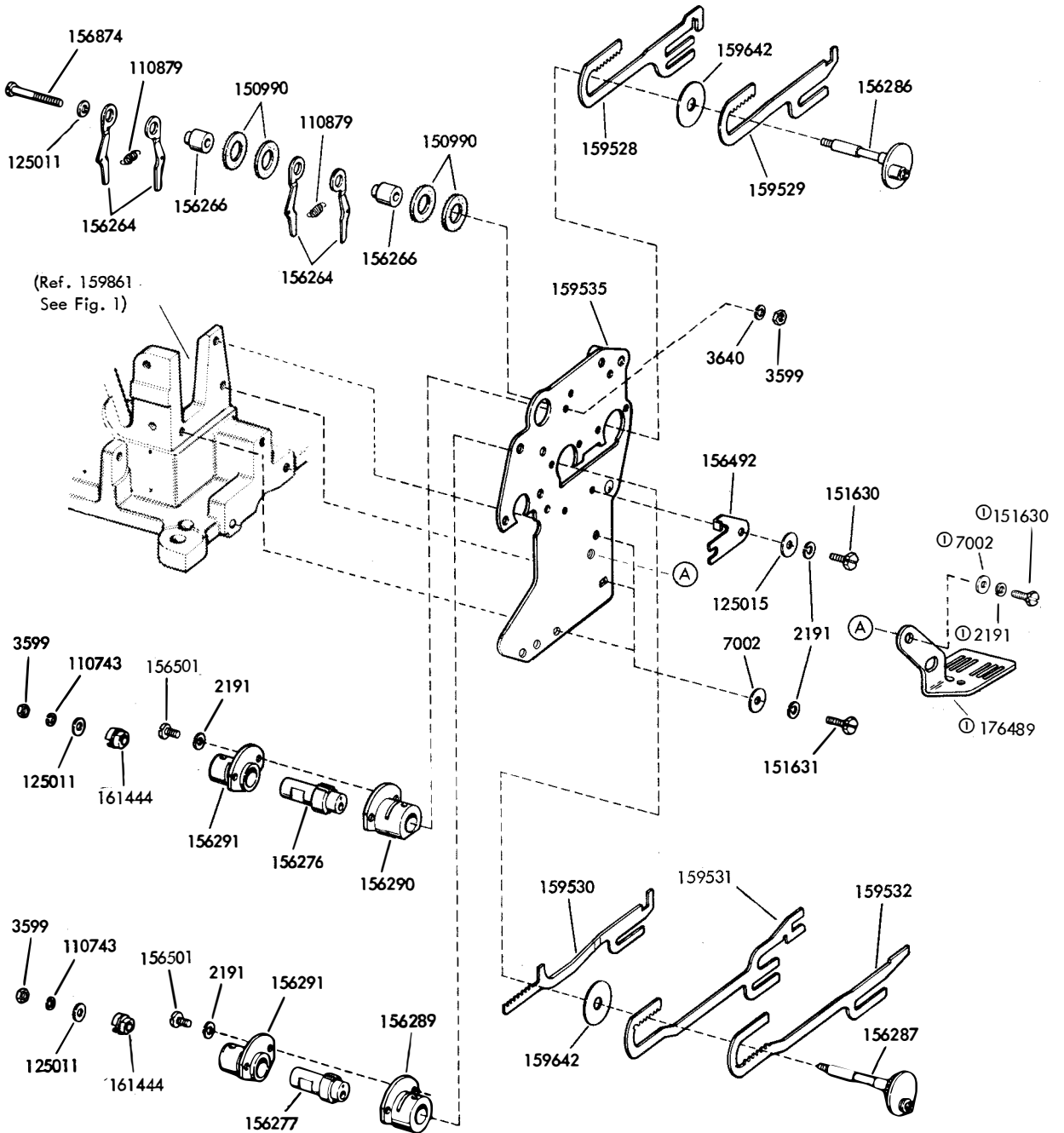


FIGURE 13. ROTARY POSITIONING MECHANISM

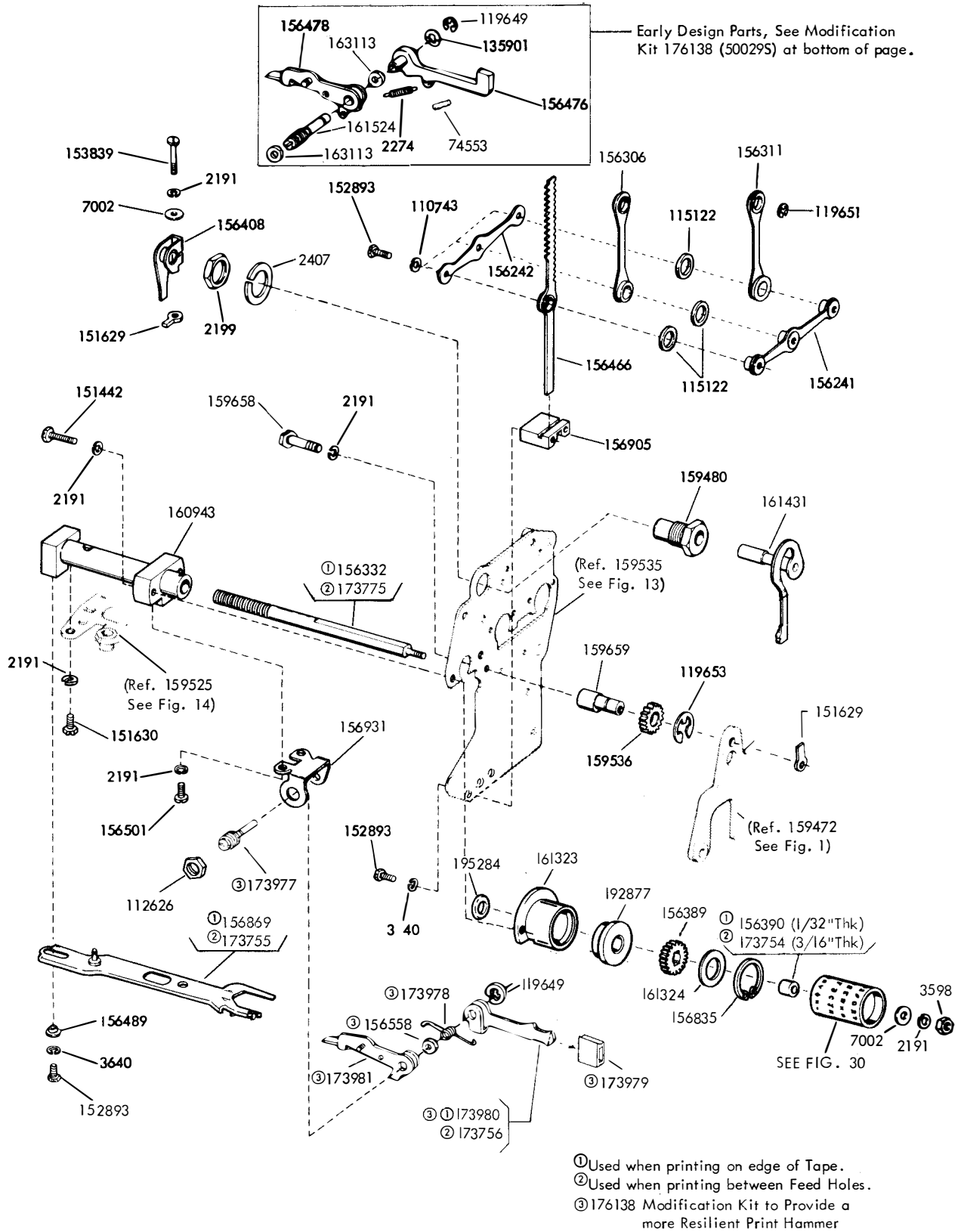


FIGURE 14. ROTARY POSITIONING MECHANISM

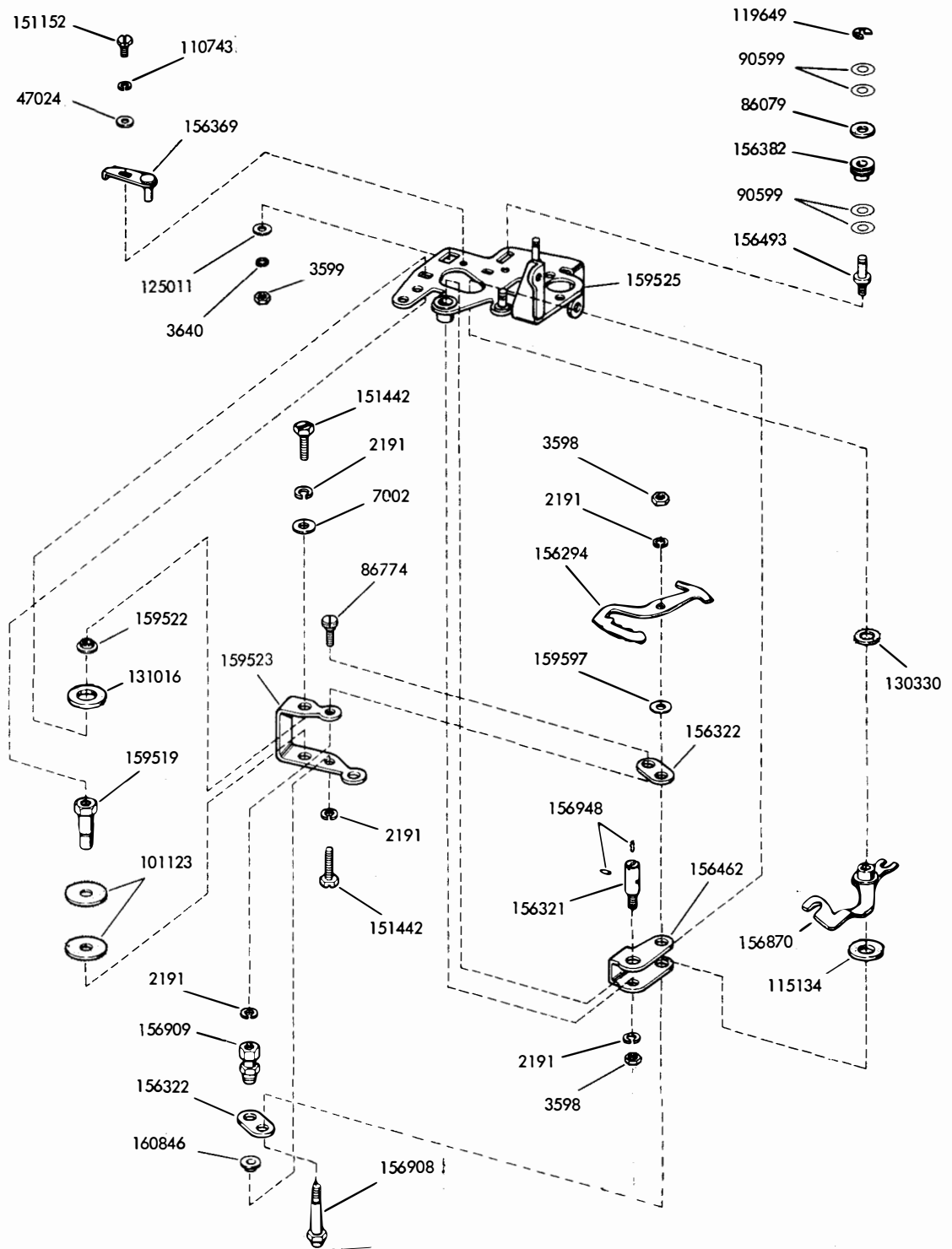
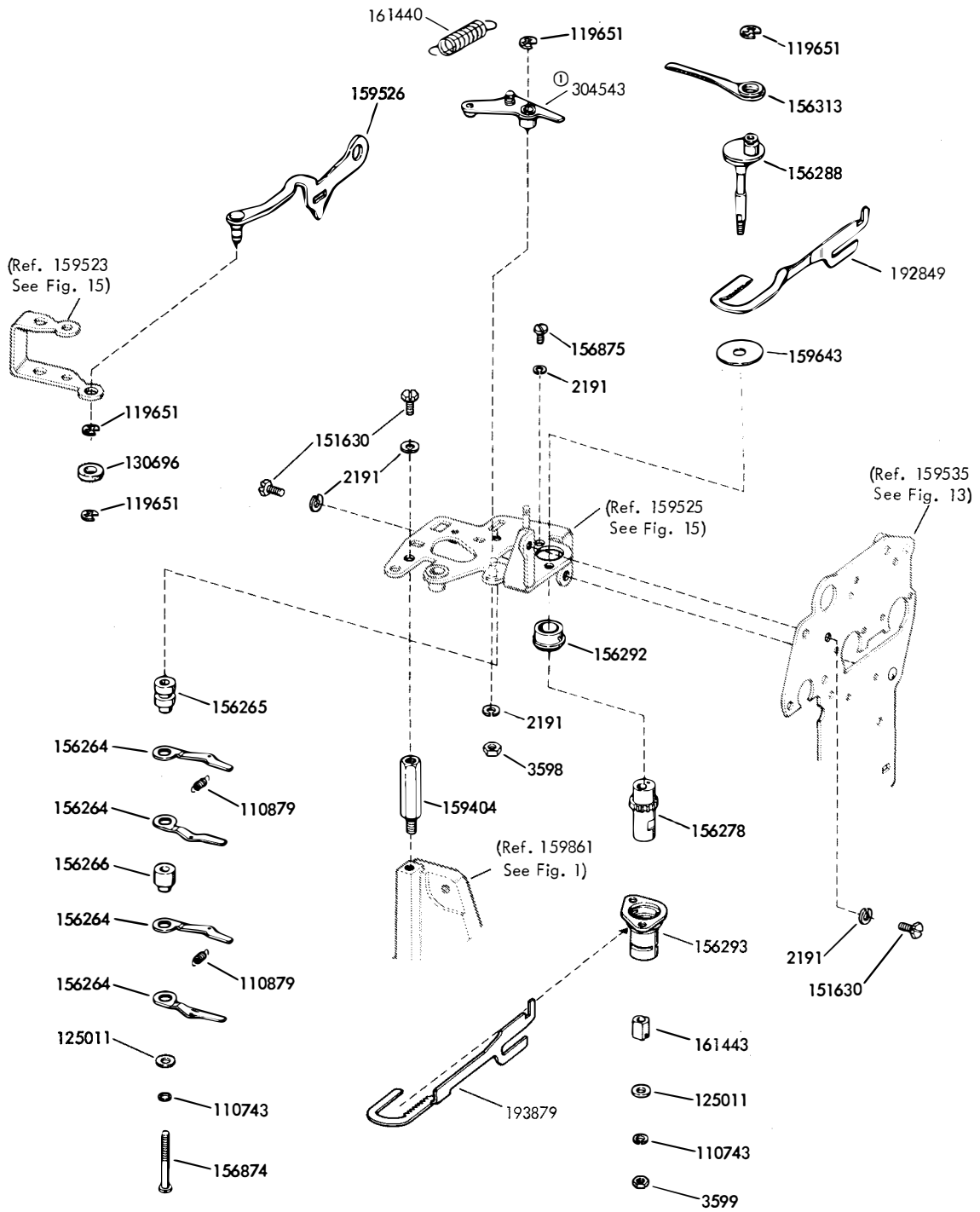


FIGURE 15. AXIAL POSITIONING MECHANISM



⓪ Early Design Parts

FIGURE 16. AXIAL POSITIONING MECHANISM

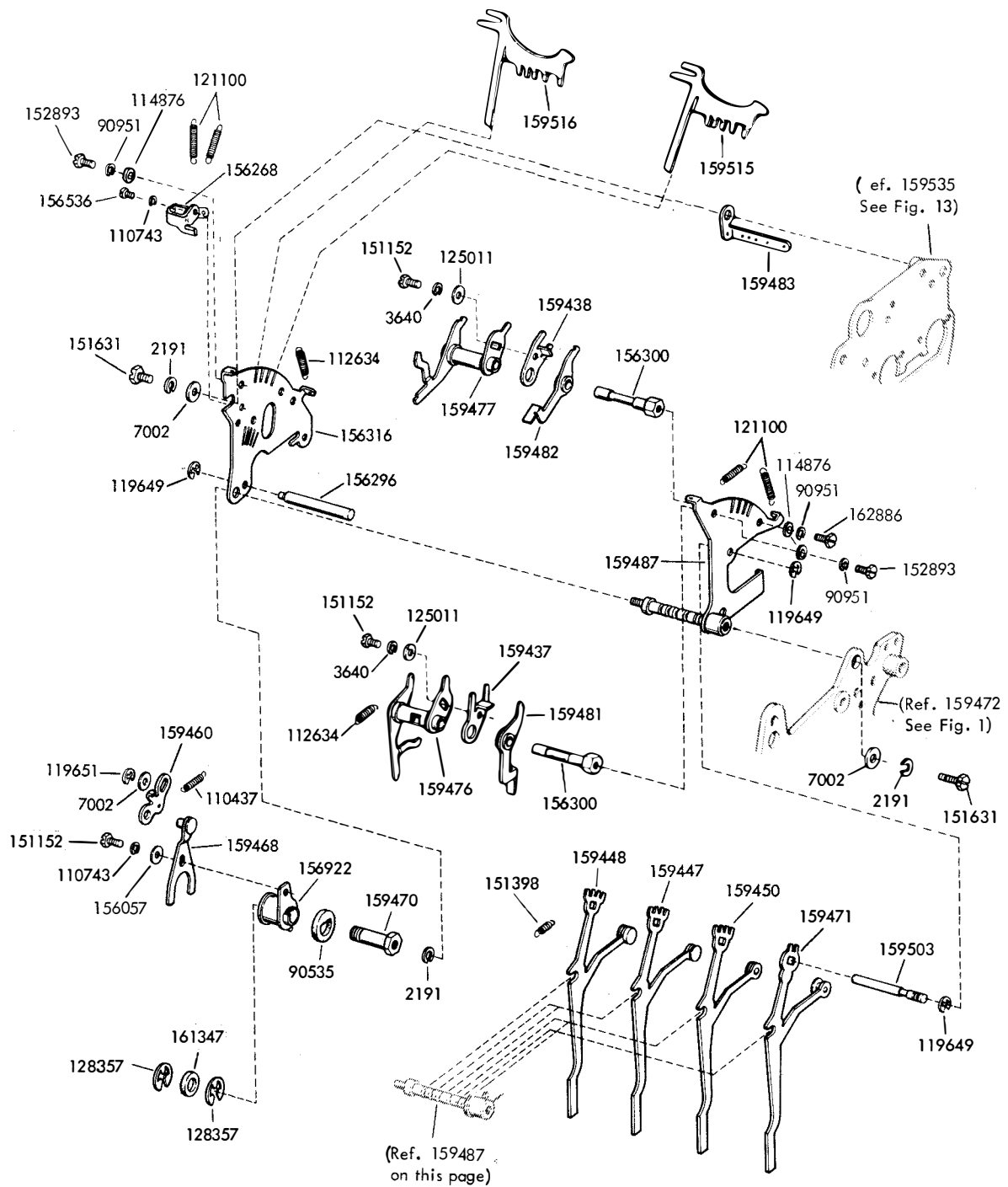


FIGURE 17. FUNCTION BOX MECHANISM

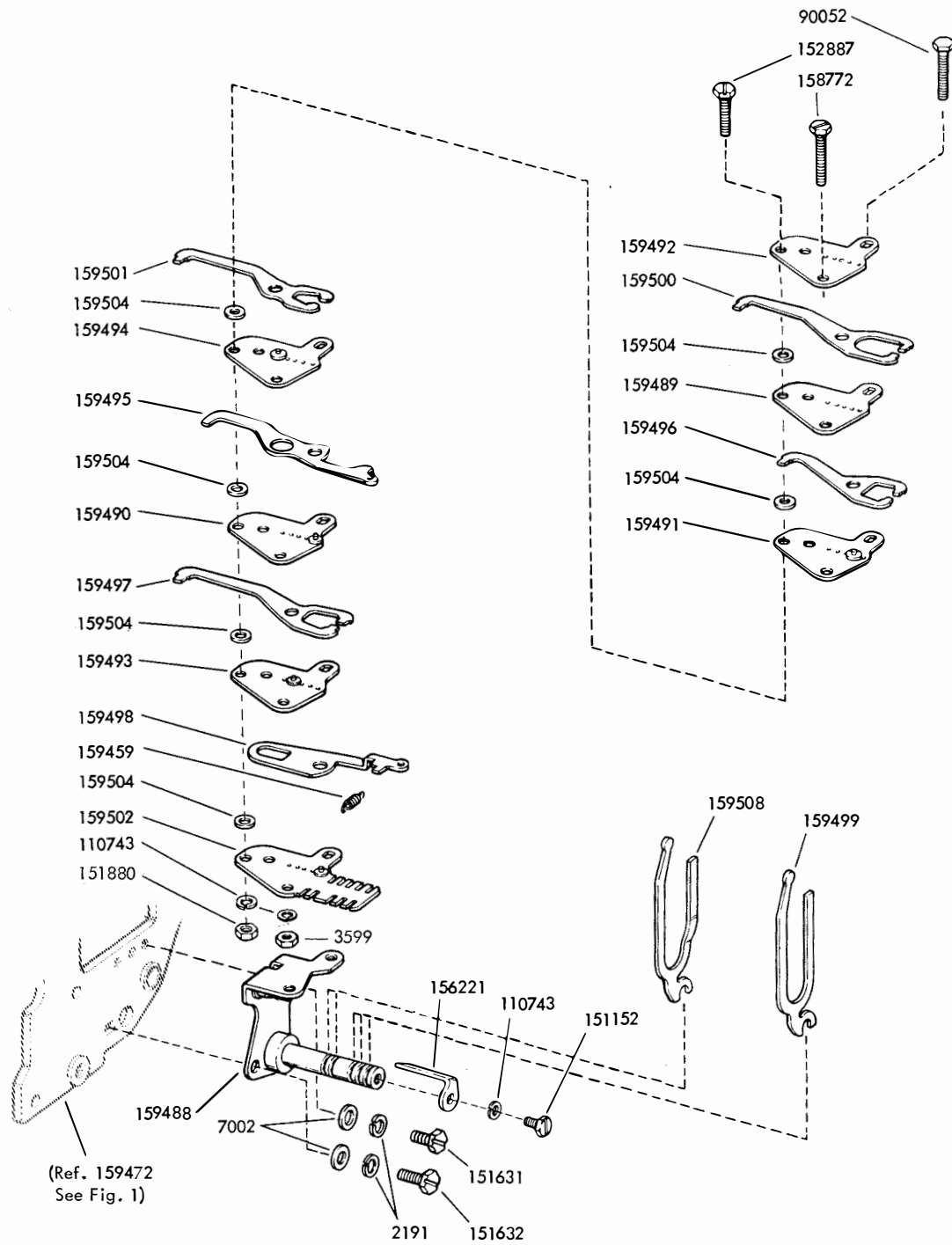
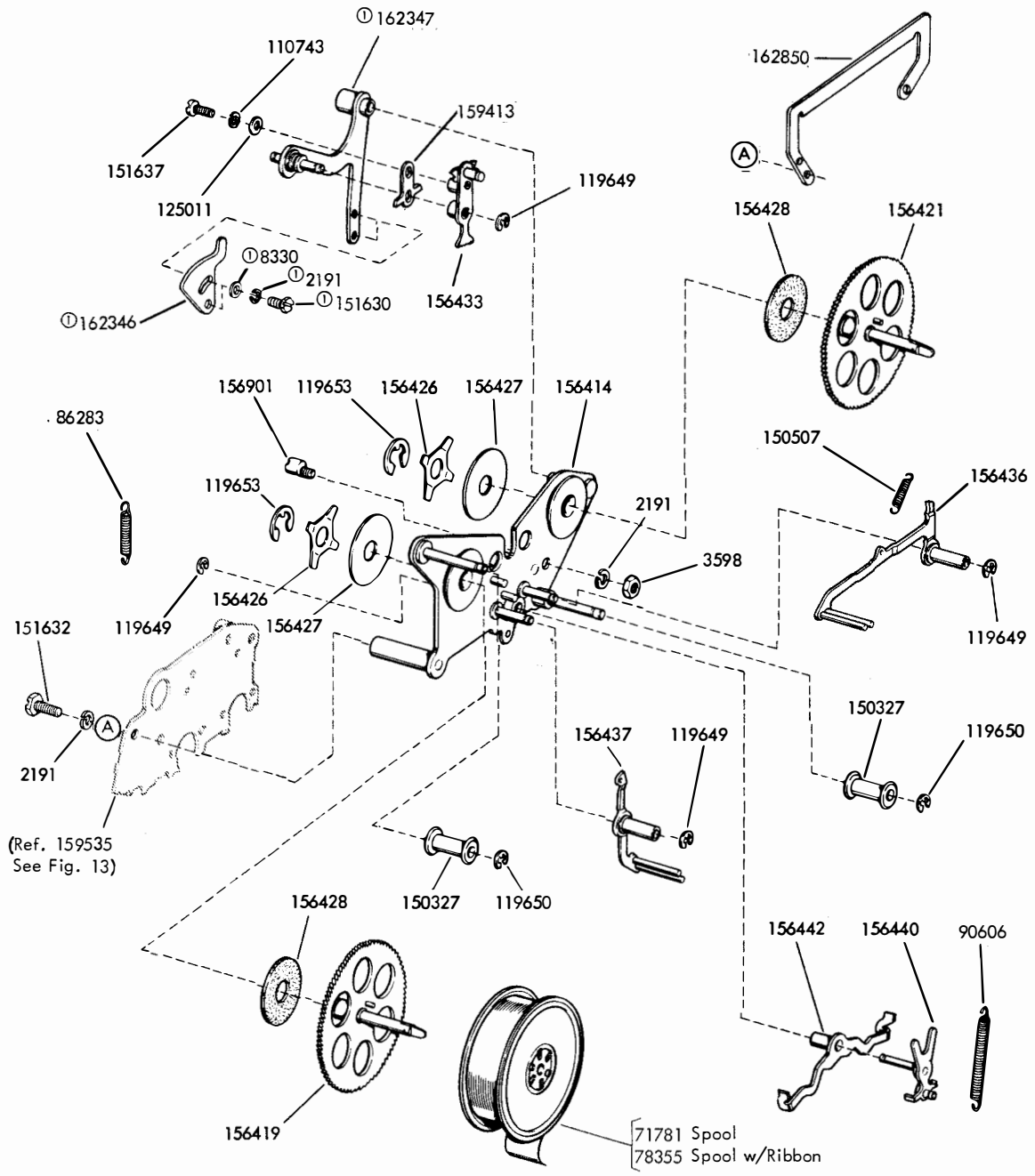


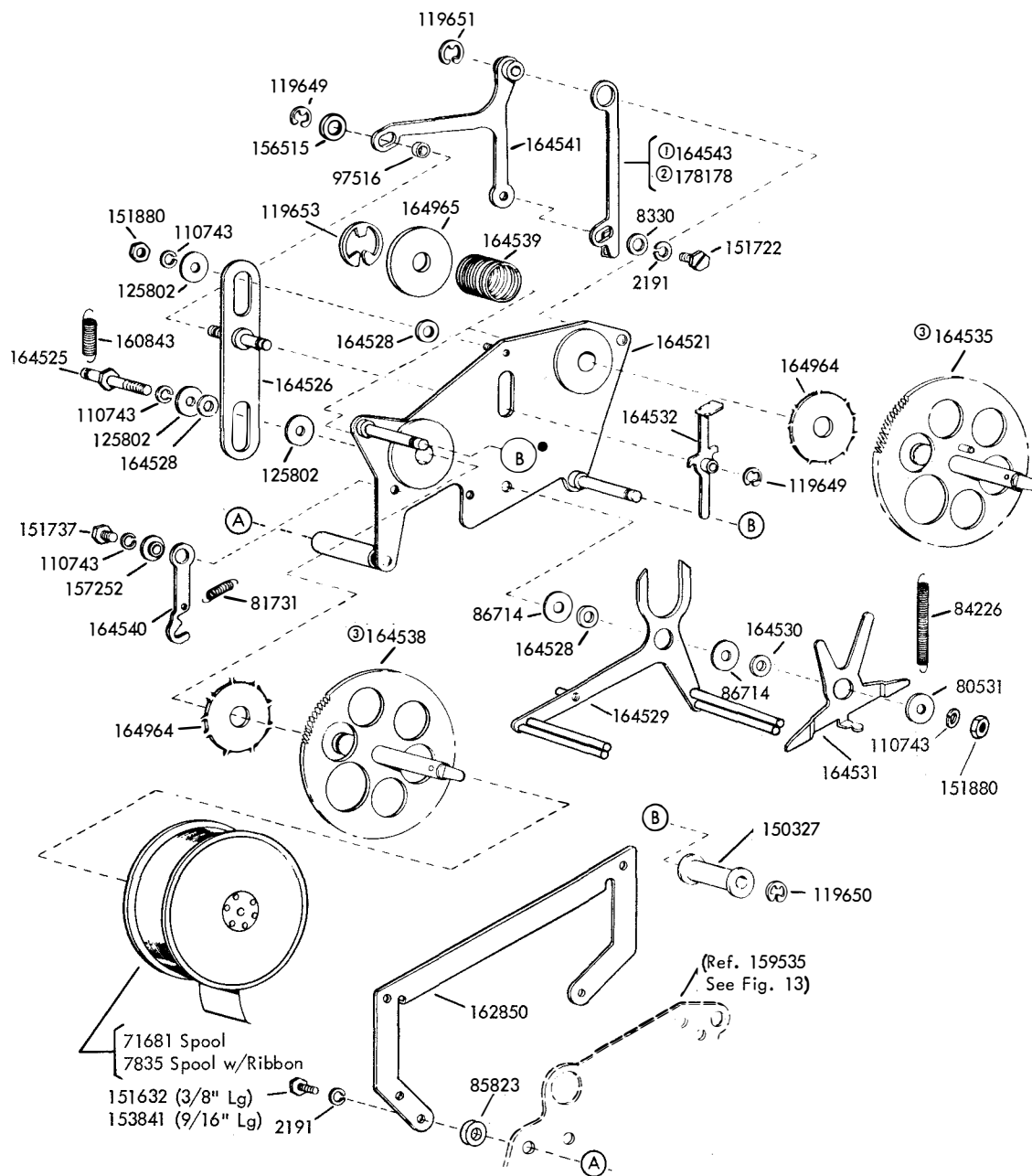
FIGURE 18. TRANSFER MECHANISM



Note:
For Latest Design Ribbon Feed Mechanism See Figure 19.

Ⓢ 154325 Modification Kit to provide
LPR with Adjustable Ribbon Drive Arm

FIGURE 19. RIBBON FEED MECHANISM (EARLY DESIGN)



For Early Design Ribbon Feed Mechanism See Figure 18.

- ① Peculiar to units equipped with spring retracted Punch pins
- ② Peculiar to units equipped with power retracted Punch pins
- ③ 179579 Decalcomania which shows direction of "Ribbon to Roller" is available.

FIGURE 20. RIBBON FEED MECHANISM (LATER DESIGN)

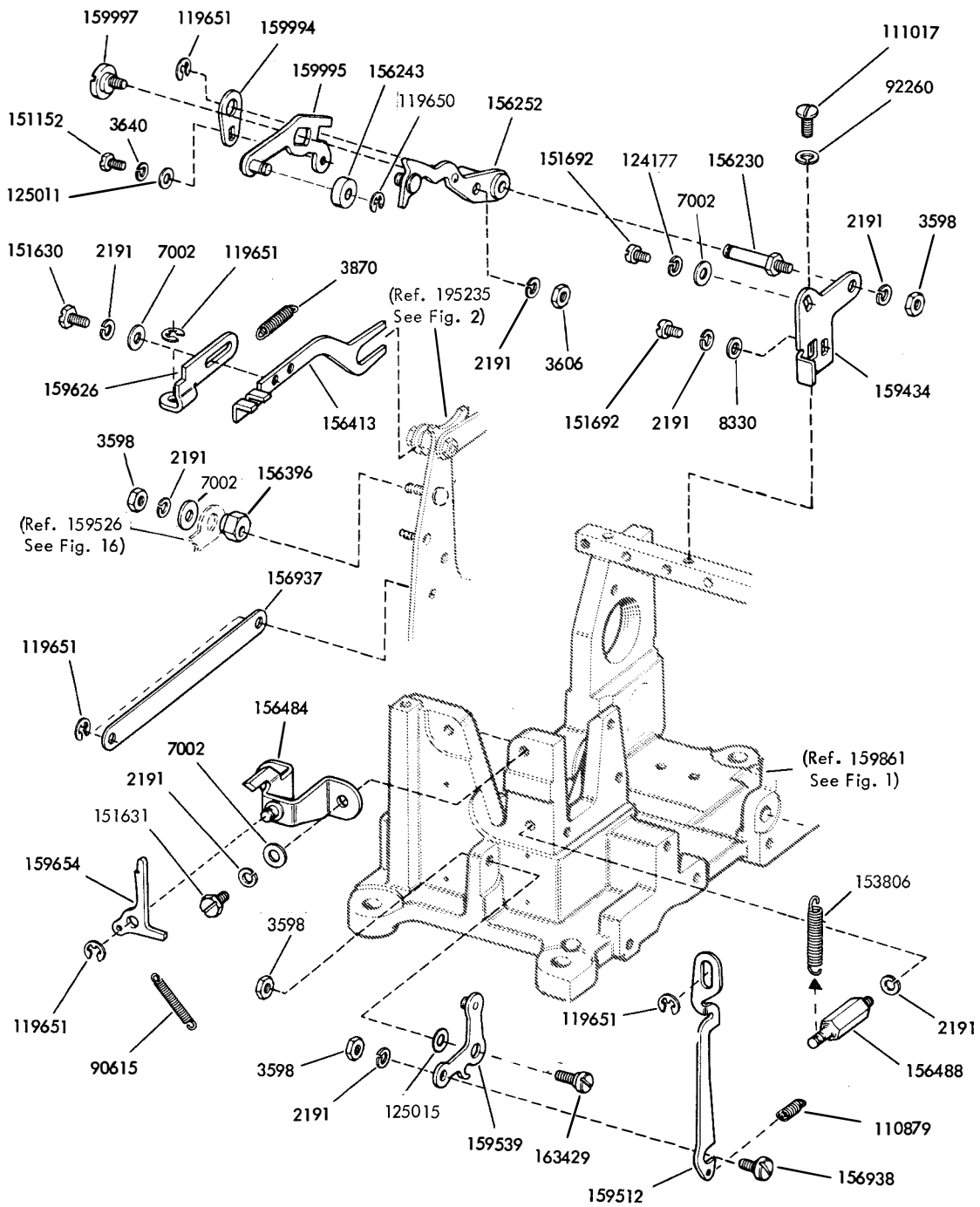


FIGURE 21. TYPING MECHANISM

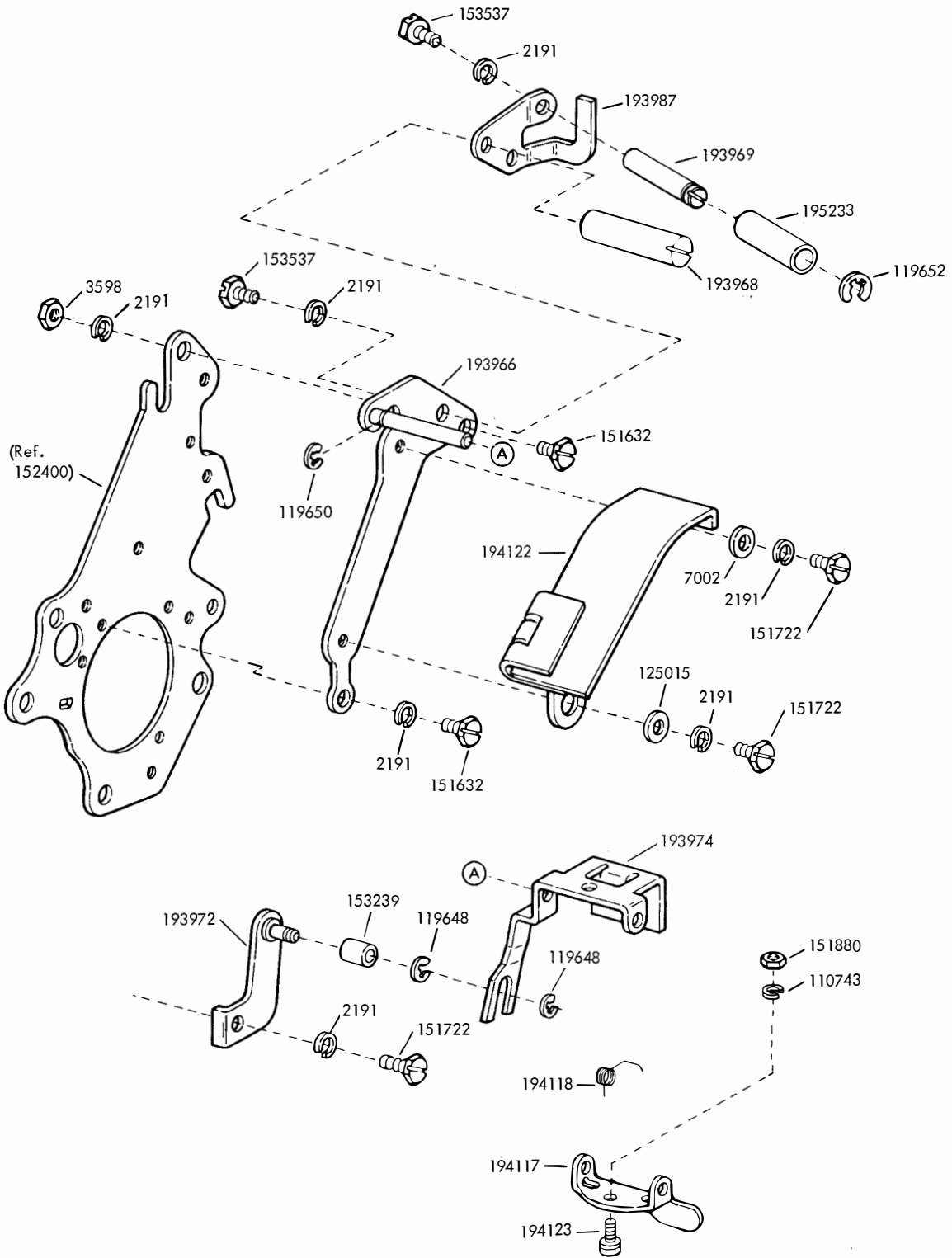


FIGURE 22. TAPE DEPRESSOR MECHANISM

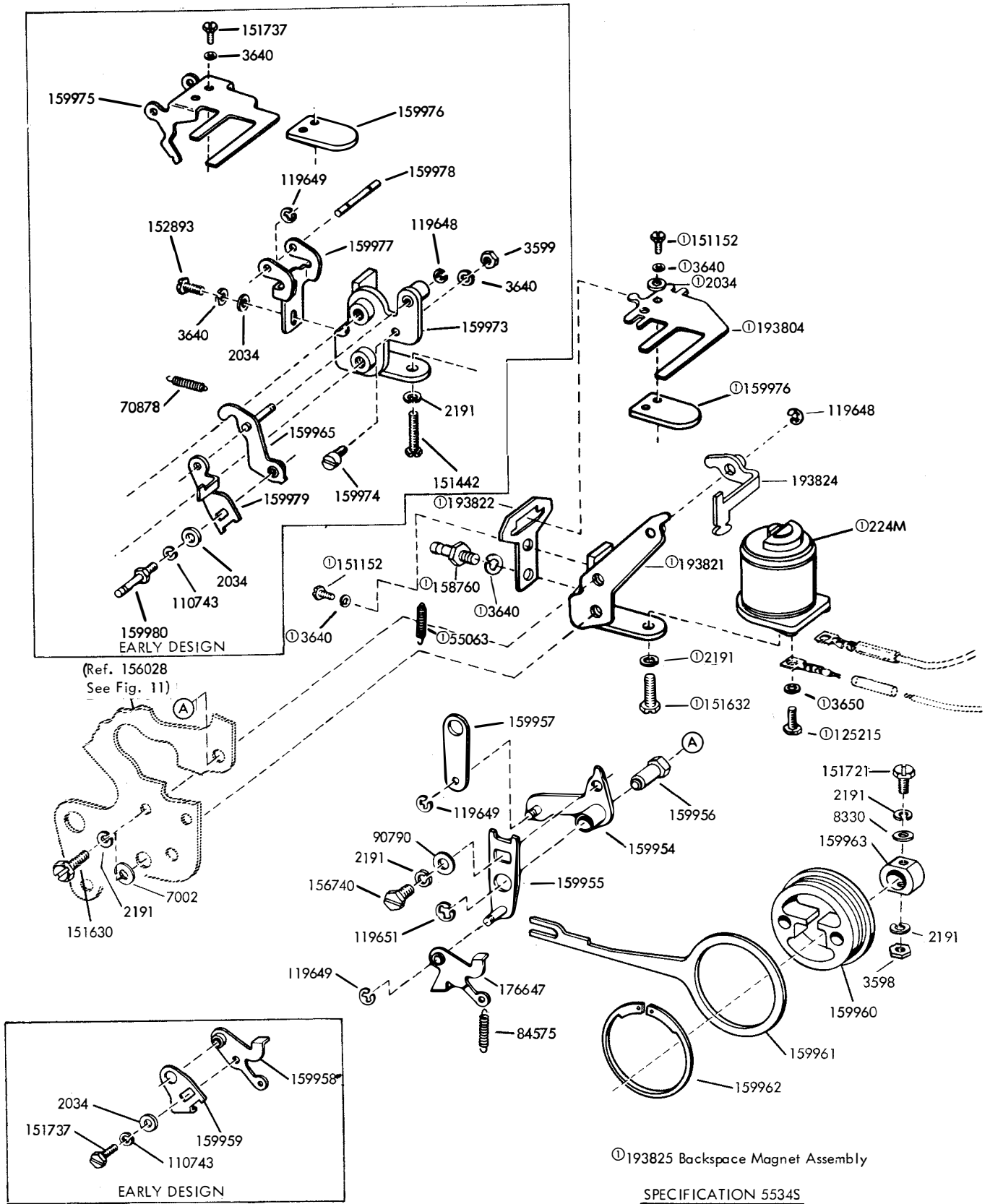


FIGURE 23. 159364 MODIFICATION KIT TO ADD POWER DRIVE TO BACKSPACE

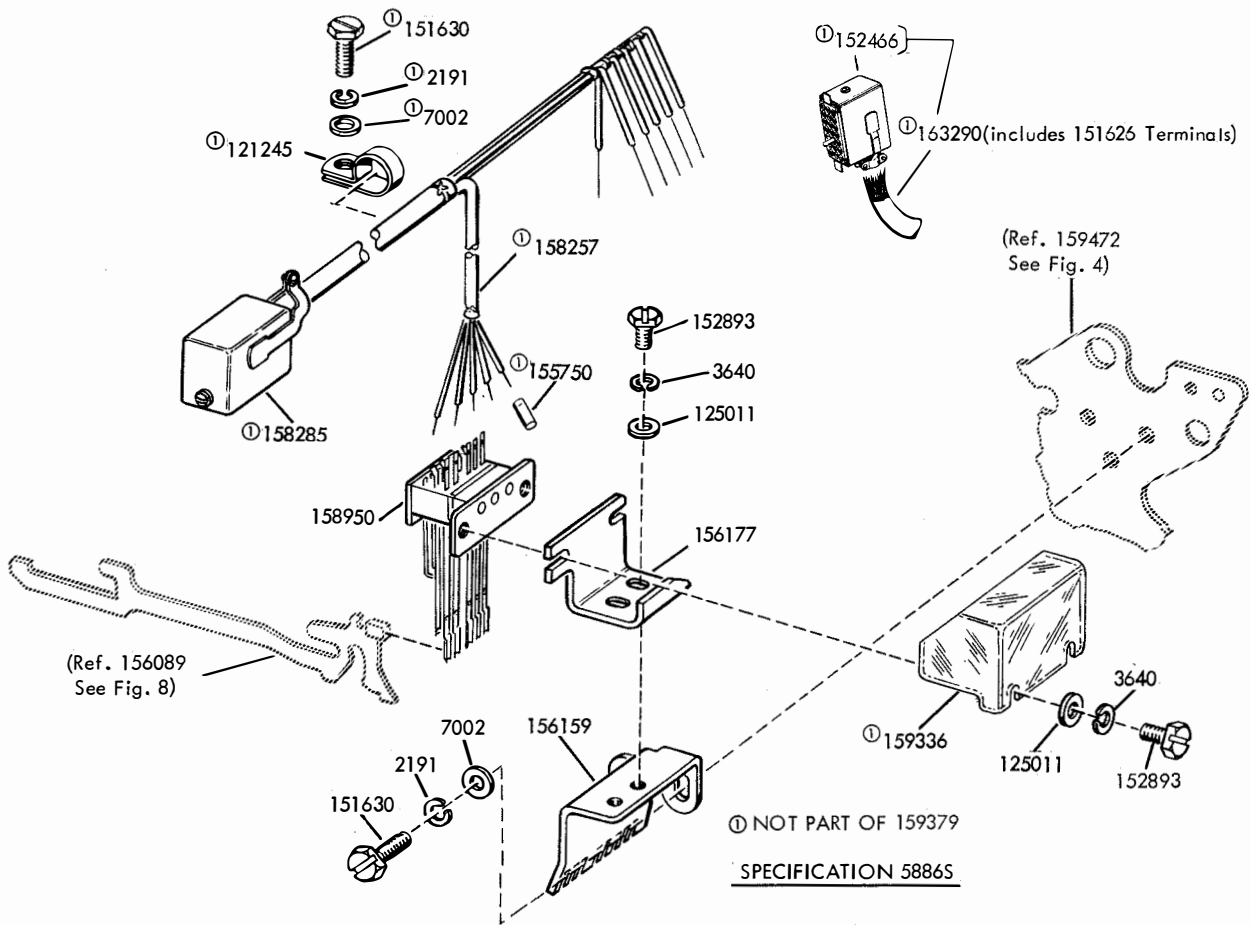


FIGURE 24. 159379 MODIFICATION KIT TO ADD "MAKE ONLY" CODE READING CONTACTS

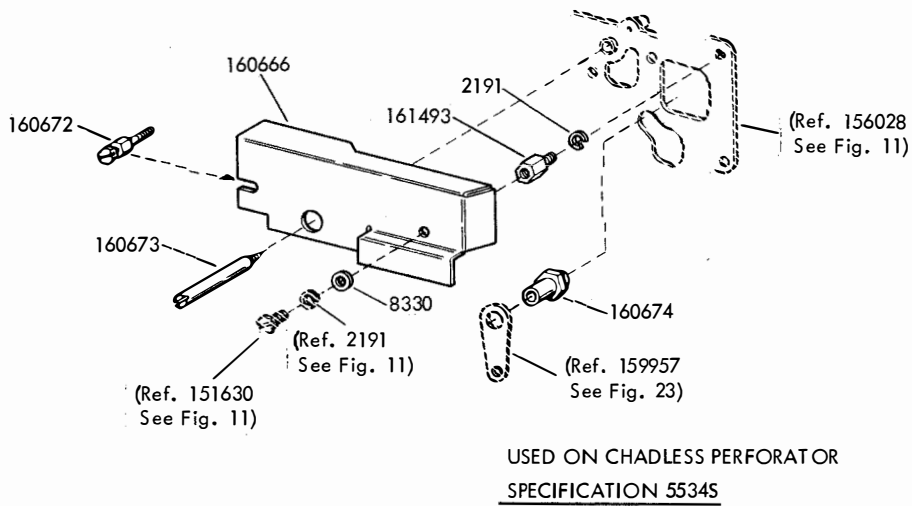


FIGURE 25. 160881 MODIFICATION KIT TO ADD GUARD TO COVER BACKSPACE MECHANISM

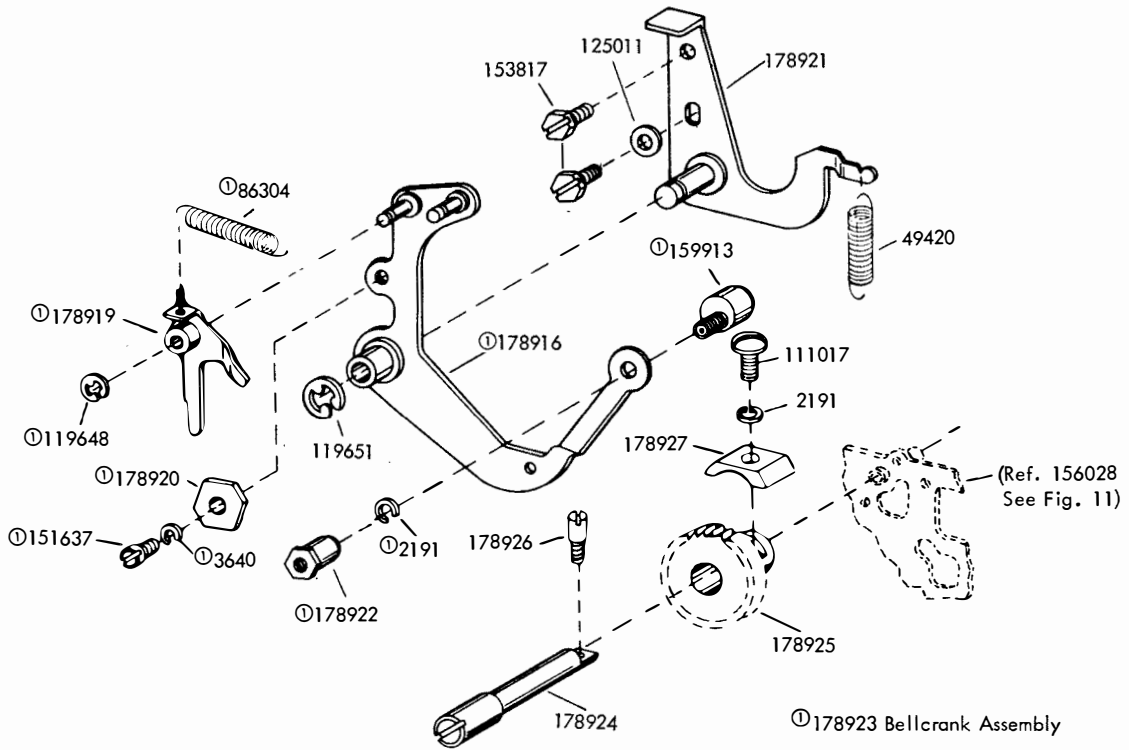


FIGURE 26. 178917 MODIFICATION KIT TO PROVIDE BACKSPACE MECHANISM FOR FULLY PERFORATED TAPE AND PRINTING BETWEEN FEED HOLES

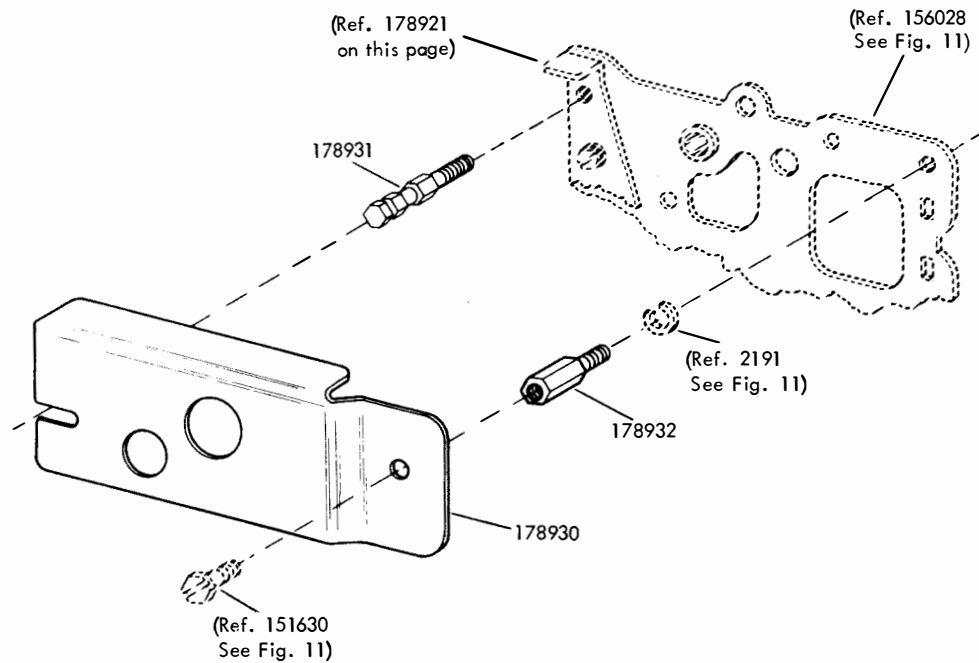
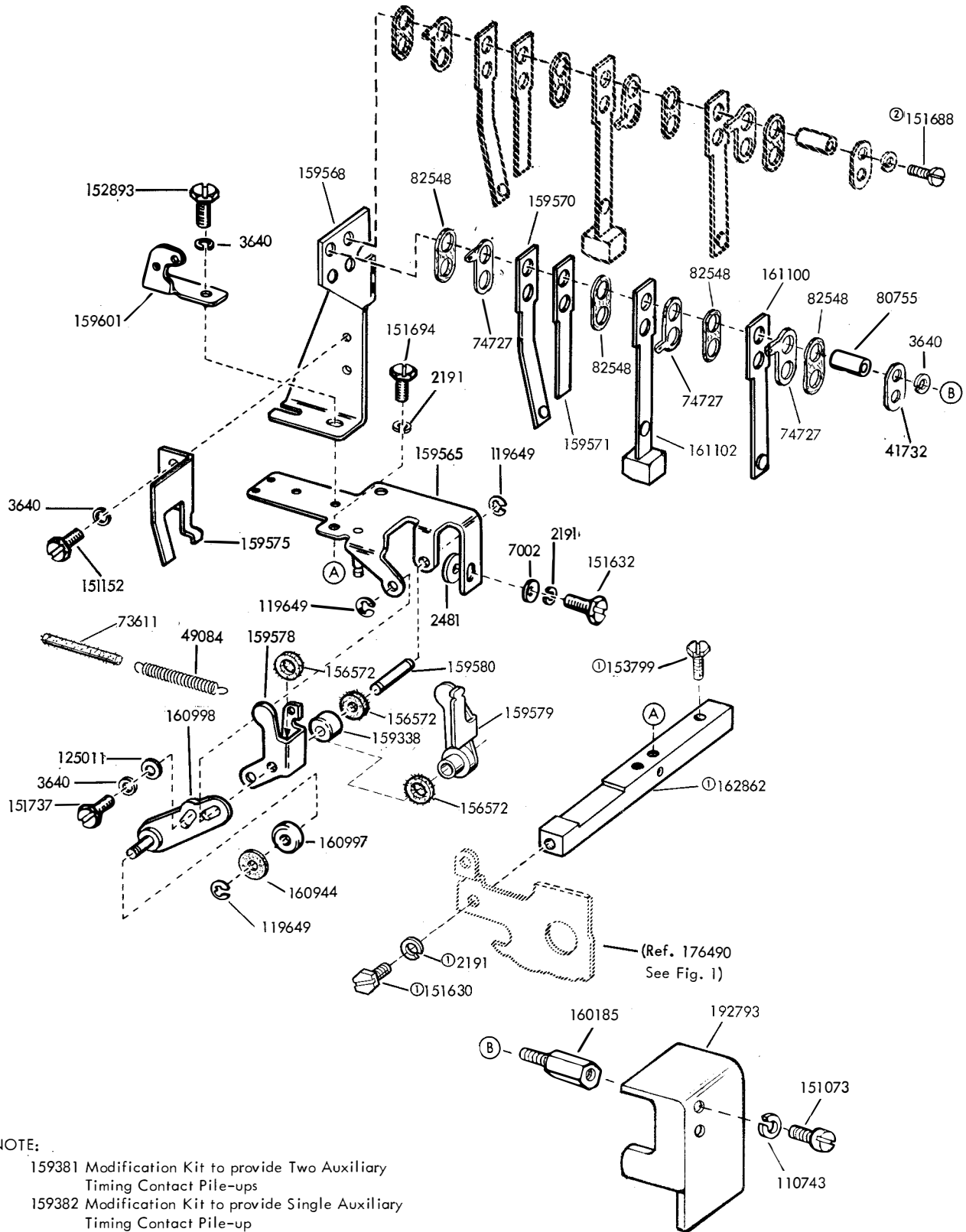


FIGURE 27. 178918 MODIFICATION KIT TO PROVIDE GUARD FOR BACKSPACE MECHANISM



NOTE:
 159381 Modification Kit to provide Two Auxiliary Timing Contact Pile-ups
 159382 Modification Kit to provide Single Auxiliary Timing Contact Pile-up

SPECIFICATION 58865

① Not Part of 159381 or 159382 Modification Kits
 ② Used with only the 159381 Modification Kit

FIGURE 28. 159381 AND 159382 MODIFICATION KITS TO ADD AUXILIARY TIMING CONTACT

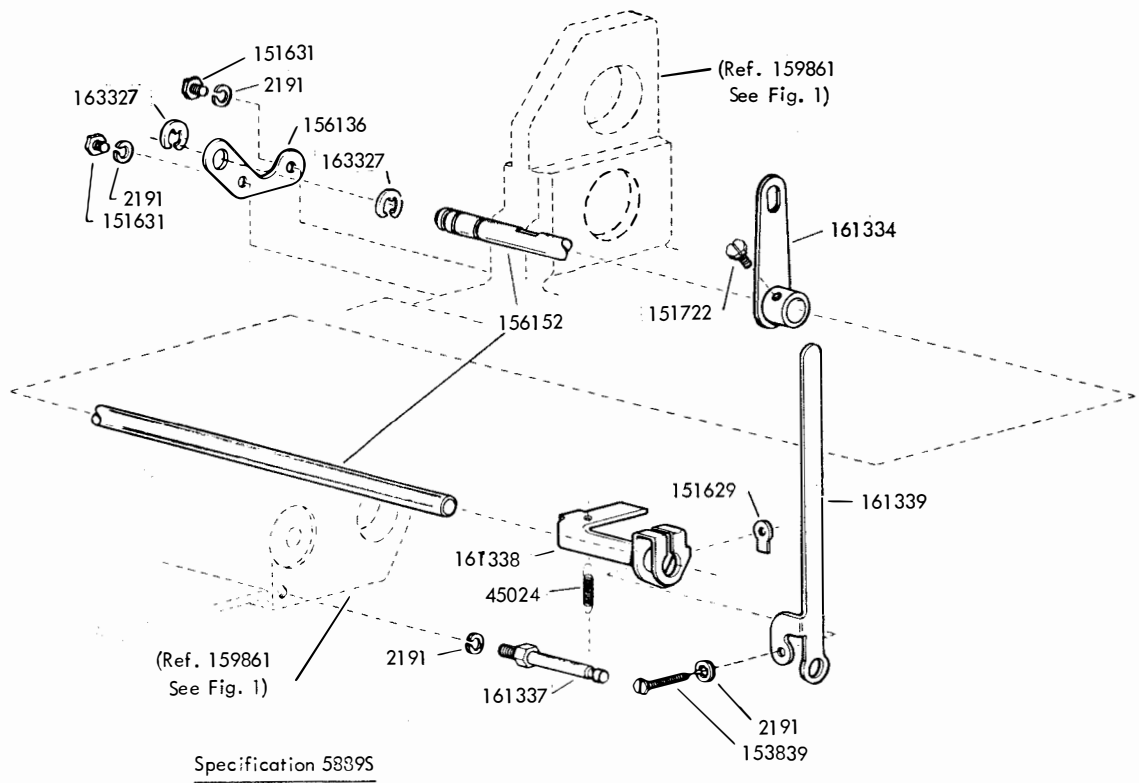


FIGURE 29. 161340 MODIFICATION KIT TO ADD MANUAL INTERFERING LETTERS TAPE FEED-OUT

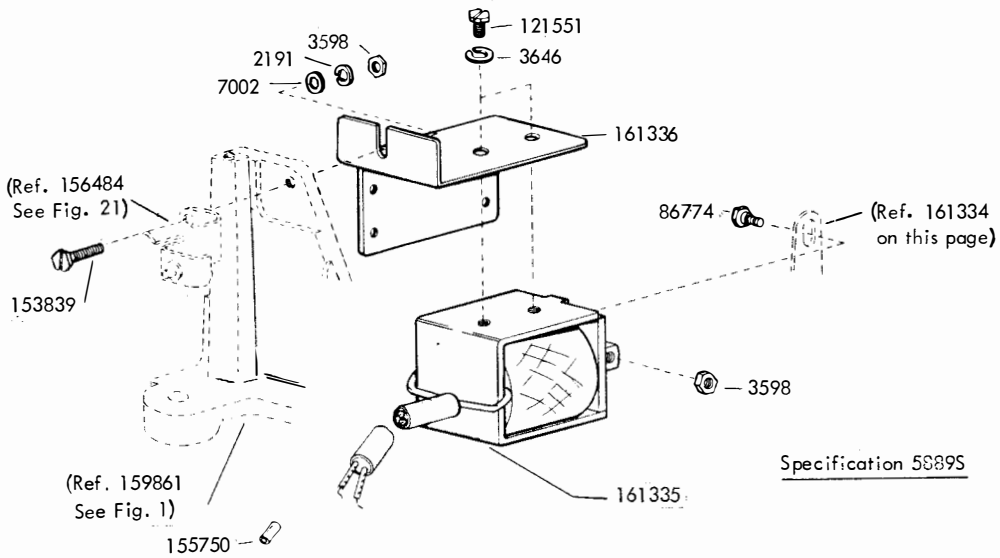


FIGURE 30. 161341 MODIFICATION KIT TO ADD SOLENOID OPERATION TO LETTERS FEED-OUT

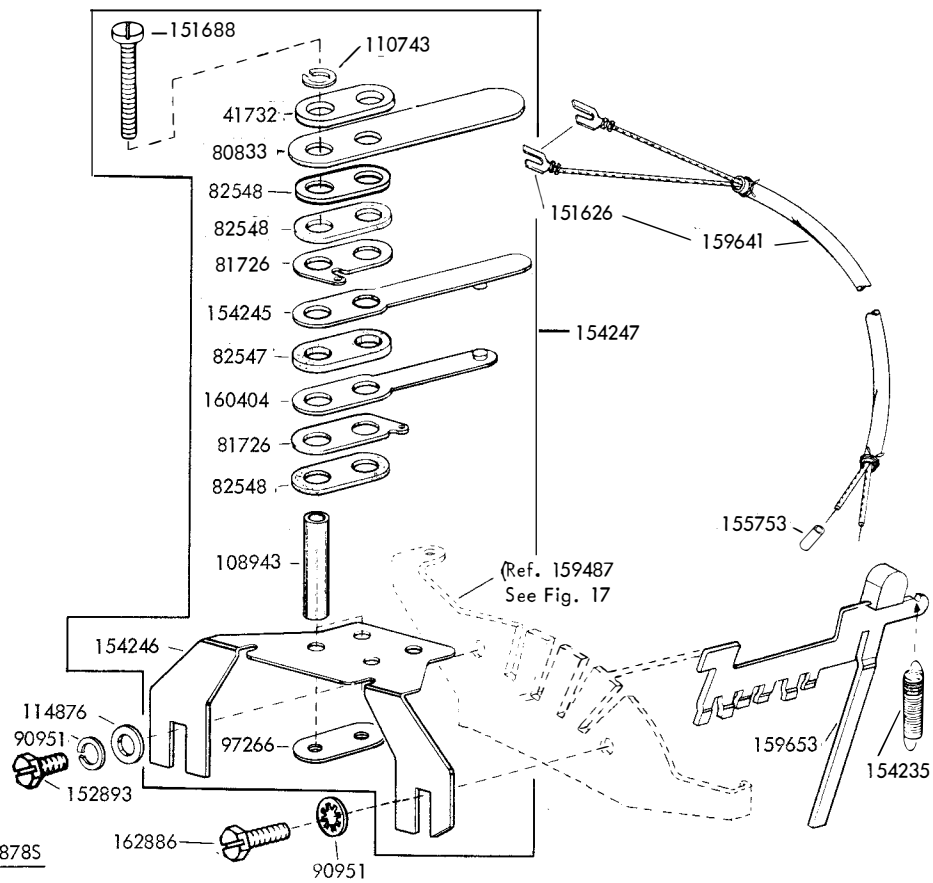


FIGURE 31. 159360 MODIFICATION KIT TO ADD SIGNAL BELL CONTACT (ON UPPER CASE "S")

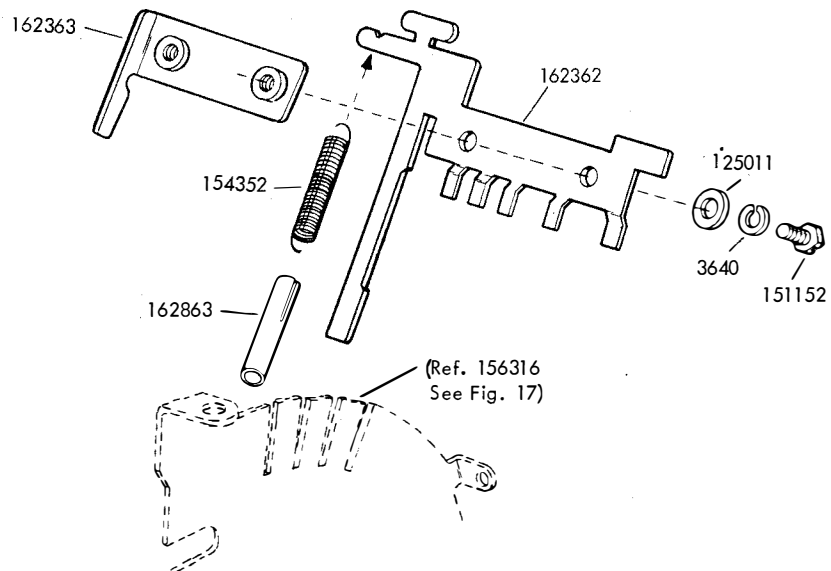
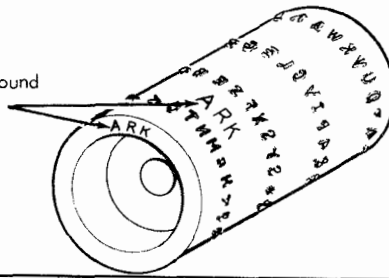


FIGURE 32. 162375 MODIFICATION KIT TO ADD "UNSHIFT ON SPACE"

Typewheel Code may be found in either of two locations.



TYPEWHEEL ARRANGEMENTS													
COMMUNICATION		COMMUNICATION		COMMUNICATION		FRACTION		FRACTION		FRACTION		WEATHER	
CODE	PART NUMBER	CODE	PART NUMBER	CODE	PART NUMBER	CODE	PART NUMBER	CODE	PART NUMBER	CODE	PART NUMBER	CODE	PART NUMBER
AWA	173967	AFU	175690	AWJ	175573	ABA	175586	AGM	307306	AXY	175520	ARE	173970
ABD	175588	AFV	175691	AWM	175576	ABC	175587	AGP	307308	AXZ	175521	ABZ	175607
ABE	175589	AFW	175692	AWU	175582	ABG	175591	AGT	307311	AYB	175523	ADH	175636
ABF	175590	AFX	175693	AXE	175504	ABM	175596	AGU	307312	AYE	175526	ADR	175643
ABH	175592	AFY	175694	AXG	175506	ABN	175597	AGW	307314	AYG	175528	AGS	307310
ABJ	175593	AGA	175696	AXH	175507	ABR	175599	AGX	307315	AYL	175532	AHT	307333
ABL	175595	AGE	307300	AXP	175513	ABU	175602	AGY	307316	AYP	175535	AJG	307346
ABP	175598	AGK	307304	AXR	175514	ABV	175603	AGZ	307317	AYS	175537	AJK	307348
ABS	175600	AGN	307307	AXU	175517	ABX	175605	AHB	307319	AYT	175538	AJM	307350
ABT	175601	AGR	307309	AYC	175524	ABY	175606	AHE	307322	AYV	175544	AJR	307353
ABW	175604	AHA	307318	AYF	175527	ACB	175609	AHK	307326	AZE	175552	AKD	307364
ACA	175608	AHC	307320	AYH	175529	ACE	175611	AHL	307327	AZG	175554	ARM	163677
ACD	175610	AHD	307321	AYK	175531	ACG	175613	AHM	307328	AZM	175559	ARW	163683
ACF	175612	AHF	307323	AYM	175533	ACH	175614	AHR	307331	AZN	175561	AWB	163685
ACL	175617	AHN	307329	AYR	175536	ACJ	175615	AHV	307335	AZV	175567	AWE	163688
ACM	175618	AHP	307330	AYV	175543	ACK	175616	AJB	307341	BRB	175701	AWP	175578
ACN	175619	AHS	307332	AZC	175550	ACR	175621	AJD	307343	BRG	175706	AWY	175584
ACP	175620	AHU	307334	AZH	175555	ACS	175622	AJE	307344	BRJ	175708	AWZ	175585
ACT	175623	AHW	307336	AZJ	175556	ACZ	175629	AJH	307347	BRW	175719	AXA	175500
ACU	175624	AHX	307337	AZK	175557	ADA	175630	AJL	307349	BRX	175720	AXC	175502
ACV	175625	AHY	307338	AZP	175560	ADC	175632	AJP	307351	BWD	175723	AXD	175503
ACW	175626	AJA	307340	AZQ	175562	ADE	175633	AJT	307355	BWM	175731	AXF	175505
ACX	175627	AJC	307342	AZT	175565	ADF	175634	AJW	307357	BWY	175740	AXS	175515
ACY	175628	AJF	307345	AZU	175566	ADK	175638	AJX	307358	BXB	175743	AYA	175522
ADB	175631	AJS	307354	AZW	175568	ADM	175640	AKA	307361	BXD	175745	AYD	175525
ADJ	175637	AJU	307356	AZX	175569	ADP	175642	AKB	307362	BXX	175751	AYJ	175539
ADL	175639	AJZ	307360	AZY	175570	ADS	175644	AKC	307363			AYN	175534
ADT	175645	AKF	307366	BRL	175710	ADV	175647	AKE	307365			AYX	175546
ADU	175646	AKG	307367	BRN	175712	ADX	175649	AKH	307368			AYZ	175547
ADW	175648	AKJ	307369	BRP	175713	ADY	175650	AKS	307375			AZF	175553
AED	175655	AKL	307370	BRQ	175714	ADZ	175651	AKT	307376			AZL	175558
AEF	175656	AKM	307371	BRT	175716	AEA	175652	AKV	307378			AZR	175563
AEG	175657	AKN	307372	BWC	175700	AEB	175653	AKX	307380			AZS	175564
AEH	175658	AKP	307373	BWH	175727	ABJ	175659	ALB	307384			BRF	175705
AEK	175660	AKR	307374	BWJ	175728	AEP	175664	ARC	173971			BRH	175707
AEL	175661	AKU	307377	BWK	175729	AER	175665	ARJ	173968			BRK	175709
AEM	175662	AKW	307379	BWL	175730	AET	175667	ARP	163678			BRS	175715
AEN	175663	AKY	307381	BWN	175732	AFA	175674	ART	163680			BRV	175718
AES	175666	AKZ	307382	BWP	175733	AFD	175677	ARU	163689			BRY	175721
AEV	175669	ALA	307383	BWR	175734	AFE	175678	AWD	163687			BRZ	175722
AEW	175670	ARA	173965	BWS	175735	AFH	175680	AWK	175574			BWE	175724
AEX	175671	ARK	163675	BWT	175736	AFK	175682	AWN	175577				
AEY	175672	ARL	163676	BWX	175739	AFL	175683	AWR	175579				
AFB	175675	ARS	173969	BWZ	175741	AFN	175685	AWT	175581				
AFC	175676	ARV	163684	BXA	175742	AFZ	175695	AWX	175583				
AFG	175679	ARX	163682	BXC	175744	AGB	175697	AXB	175501				
AFJ	175681	ARY	163681	BXE	175746	AGC	175698	AXL	175510				
AFM	175684	ARZ	163679	BXF	175747	AGD	175699	AXM	175511				
AFP	175686	AWC	163686	BXG	175748	AGF	307301	AXN	175512				
AFR	175687	AWF	163690	BXH	175749	AGH	307302	AXT	175516				
AFS	175688	AWG	175571	BXJ	175750	AGJ	307303	AXV	175518				
AFT	175689	AWH	175572	BXL	175752	AGL	307305	AXW	175519				

FIGURE 33. TYPEWHEELS

NUMERICAL INDEX

Part Number	Description and Page Number	Part Number	Description and Page Number	Part Number	Description and Page Number
224M	Coil, Magnet 23	90535	Washer, Felt 17	150034	Disk, 2 Stop Clutch 8
1036	Nut, 6-40 Hex 11	90560	Washer, Flat 9	150040	Screw, 6-40 x 5/8 Fil 7, 8
2034	Washer, Flat 23	90573	Spring 3, 4	150043	Shoe, Secondary Clutch 7, 8
2191	Washer, Lock 2 to 9, 11 to 27	90599	Shim, .008" Thk 15	150044	Shoe, Primary Clutch 7, 8
2199	Nut, 7/16-32 Hex 14	90606	Spring 2, 19	150048	Spring 2, 5
2407	Washer, Lock 14	90615	Spring 21	150241	Spring 2, 5, 7, 8
2481	Washer, Flat 26	90790	Washer, Flat 23	150327	Roller, Ribbon 19, 20
2669	Washer, Lock 3, 4, 6	90951	Washer, Lock 17, 28	150356	Lever, Trip 2, 5
3438	Washer, Flat 4, 6	91120	Spring 11	150507	Spring 19
3598	Nut, 6-40 Hex 2, 3, 4, 5, 9, 11, 12, 14, 15, 16, 19, 21, 22, 23, 27	92260	Washer, Lock 21	150830	Bushing, Shoulder 8
3599	Nut, 4-40 Hex 3, 9, 13, 15, 16, 18, 23	93108	Washer, Lock 2, 4	150841	Bearing 8
3603	Nut, 1/4-32 Hex 2, 4	93117	Washer, Lock 11	150923	Washer, Felt 12
3606	Nut, 6-40 Hex 3, 9, 21	93356	Washer, Felt 2, 5, 11	150966	Insulator, Terminal Block 6
3639	Washer, Lock 4	96717	Screw, 4-40 Shoulder 3	150990	Washer, Felt 13
3640	Washer, Lock 3, 4, 8, 13, 14, 15, 17, 21, 23, 24, 25, 26, 28	97266	Plate, Clamp 28	151073	Screw, 4-40 x 5/32 Fil 2, 5, 9, 10, 12, 26
3646	Washer, Lock 27	97516	Bushing 20	151152	Screw, 4-40 x 3/16 Hex 2, 5, 11, 15, 17, 18, 21, 23, 26, 28
3650	Washer, Flat 23	101123	Washer, Felt 15	151222	Washer, Flat 12
3870	Spring 21	108943	Bushing 28	151246	Washer, Flat 3, 4
5363	Spring, Compression 11	110434	Screw, 4-40 x 3/16 Fil 2	151335	Stud 6
6970	Nut, 3/8-32 Hex 6	110437	Spring 17	151346	Screw, 6-40 x 3/8 Fil 4
7002	Washer, Flat 2 to 9, 11, 13, 14, 15, 17, 18, 21 to 24, 26, 27	110743	Washer, Lock 2, 5, 7 to 20, 22, 23, 26, 28	151362	Wick, Felt 3, 4
7835	Ribbon w/Spool, Black 19, 20	110879	Spring 13, 16, 21	151398	Spring 17
8330	Washer, Flat 2, 3, 5, 9, 12, 19, 20, 21, 23, 24	111017	Screw, 6-40 x 5/16 Fil 6, 21, 25	151415	Block, Terminal 6
22746	Spring 14	112626	Nut, 10-32 Hex 14	151416	Nut, 6-40 Hex 6, 11, 12
33765	Washer, Flat 9	112634	Spring 17	151442	Screw, 6-40 x 1/2 Hex 3, 14, 15, 23
41382	Spring 11	114876	Washer, Flat 17, 28	151620	Strap, Motor Mounting 6
41543	Bearing, Ball 2, 4	115122	Washer, Felt 14	151621	Screw, 6-32 x 3/4 Rd 6
41732	Plate, Clamp 26, 28	115134	Washer, Felt 15	151622	Nut, 6-32 Sq 6
42823	Washer, Flat 7, 8	115941	Washer, Flat 2, 4	151626	Terminal 6, 24, 28
45024	Spring 27	119647	Ring, Retaining 11	151629	Nut, 6-40 Lug 2, 5, 12, 14, 27
47024	Washer, Flat 15	119648	Ring, Retaining 4, 9, 10, 11, 22, 23, 25	151630	Screw, 6-40 x 1/4 Hex 2, 7, 8, 11, 13, 14, 16, 19, 21, 23, 24, 25, 26
49084	Spring 26	119649	Ring, Retaining 11, 14, 15, 17, 19, 20, 23, 26	151631	Screw, 6-40 x 5/16 Hex 2 to 6, 8, 9, 11, 13, 17, 18, 21, 27
49420	Spring 25	119650	Ring, Retaining 12, 19 to 22	151632	Screw, 6-40 x 3/8 Hex 2, 3, 4, 6 to 9, 18, 19, 20, 22, 23, 26
55063	Spring 9, 10, 23	119651	Ring, Retaining 3, 9, 14, 16, 17, 20, 21, 23, 25	151637	Screw, 4-40 x 1/4 Fil 9, 19, 25
70878	Spring 9, 23	119652	Ring, Retaining 2, 3, 5, 11, 12, 22	151640	Lever, Shoe Release 7
71437	Washer, Flat 12	119653	Ring, Retaining 14, 19, 20	151657	Screw, 6-40 x 1/4 Fil 3, 5, 6
71681	Spool, Ribbon 19, 20	121100	Spring 17	151658	Screw, 6-40 x 5/16 Fil 2, 3, 4
73611	Wick, Felt 26	121245	Clamp, 5/16 ID Cable 24	151688	Screw, 4-40 x 5/8 Fil 26, 28
74553	Wick, Felt 14	121551	Screw, 8-32 x 1/4 Hex 27	151692	Screw, 6-40 x 3/16 Fil 21
74727	Terminal, Contact 26	122149	Screw, 4-40 Spl 9	151694	Screw, 6-40 x 11/32 Fil 26
76081	Washer, Flat 5	122207	Strap Assembly 6	151712	Button, Pivot 6
80531	Washer, Flat 20	124177	Washer, Lock 3, 4, 9, 11, 21	151721	Screw, 6-40 x 3/4 Hex 23
80755	Bushing, Insulating 26	125011	Washer, Flat 2, 3, 5, 9, 10, 11, 13, 15, 16, 17, 19, 21, 24, 25, 26, 28	151722	Screw, 6-40 x 3/16 Hex 9, 11, 20, 22, 27
80833	Guard, Contact Spring 28	125015	Washer, Flat 3, 12, 13, 21, 22	151724	Screw, 10-32 x 5/8 Hex 4, 6
81726	Terminal 28	125215	Screw, 4-40 x 3/16 Hex 23	151728	Spring 7
81731	Spring 20	125231	Nut, 10-32 Hex 3, 4	151736	Spring 8
82392	Shim, .004" Thk 3	125802	Washer, Flat 20	151737	Screw, 4-40 x 11/64 Hex 7, 8, 20, 23, 26
82547	Insulator, .094" Thk 28	128357	Ring, Retaining 12, 17	151880	Nut, 4-40 Hex 18, 20, 22
82548	Insulator, .062" Thk 26, 28	130330	Washer, Felt 15	152400	Plate, Selector Mounting 22
84226	Spring 20	130696	Washer, Felt 16	152415	Stud, Adjusting 2, 4
84575	Spring 23	131016	Washer, Felt 15	152466	Connector, 20 Pt Receptacle 24
85422	Screw, 10-32 x 15/16 Hex 6	135716	Spring 2, 5	152634	Washer, Flat 12
85823	Spacer, .188" Thk 20	135901	Washer, Cup 14	152887	Screw, 4-40 x 1/2 Hex 18
86079	Washer, Felt 15	139697	Screw, 4-40 x 9/32 Fil 7	152893	Screw, 4-40 x 1/4 Hex 2 to 5, 9 to 12, 14, 17, 23, 24, 26, 28
86283	Spring 19	139752	Screw, 4-40 x 11/64 Fil 2, 5	153030	Mount, Vibration 6
86304	Spring 9, 25	150000	Drum, Clutch 8	153239	Roller 4, 22
86506	Post, Spring 2	150013	Disk, Adjusting 7	153267	Washer, Felt 10
86714	Washer, Flat 20	150014	Disk, Adjusting 8		
86774	Screw, 6-40 Shoulder 15, 26	150027	Lever, Shoe Release 8		
87401	Spring 2, 5	150029	Wick, Felt 7, 8		
90052	Screw, 4-40 x 5/8 Hex 18				
90361	Washer, Felt 12				

NUMERICAL INDEX (Continued)

Part Number	Description and Page Number	Part Number	Description and Page Number	Part Number	Description and Page Number
153537	Screw, 6-40 x 9/32 Hex 22	156104	Shaft 10	156436	Arm, Front Ribbon Reversing 19
153799	Screw, 4-40 x 21/64 Hex 26	156136	Bracket, Shaft Mounting 27	156437	Arm, Rear Ribbon Reversing 19
153806	Spring 21	156152	Shaft, Feed-out Drive 27	156440	Lever, Ribbon Reversing 19
153817	Screw, 4-40 x 3/8 Hex 9, 25	156159	Bracket 24	156442	Pawl, Ribbon Reversing 19
153839	Screw, 6-40 x 5/8 Hex 2, 5, 12, 14, 27	156162	Washer, Flat 12	156462	Bail, Oscillating 15
153841	Screw, 6-40 x 9/16 Hex 20	156163	Guide 9	156465	Washer, Spring 3, 4
154235	Spring 28	156165	Washer, Felt 2, 5, 12	156466	Rack, Typewheel 14
154242	Screw, 6-40 x 5/16 Hex 3, 4	156168	Spring 9	156467	Ring, Retaining 3, 4
154245	Spring, Contact 28	156169	Washer, Felt 12	156472	Post, Spring 2, 5
154246	Bracket, Contact 28	156172	Rod 10	156473	Shaft, Main 7
154247	Contact Assembly 28	156173	Stud 9	156476	Hammer, Print 14
154325	Modification Kit to Provide an Adjustable Ribbon Drive Arm 19	156177	Bracket, Contact 24	156478	Accelerator, Hammer 14
154335	Screw, 6-40 x 9/32 Fil 7, 8	156221	Lock 18	156484	Bracket 21, 27
154352	Spring 28	156230	Stud, Lifter Pivot 21	156488	Post, Spring 21
154397	Shaft w/Bearing 3, 7, 8	156235	Post, Guide 2, 5	156489	Bushing, Ribbon Guide 14
154398	Bearing, Needle 7, 8	156236	Collar 7, 8	156490	Post, Guide 2, 5
154457	Guide, Tape 11	156241	Link, Front 14	156492	Bracket, Guide 13
154694	Disk, Clutch Cam 7	156242	Link, Rear 14	156493	Stud 15
154698	Wick, Felt 11	156243	Roller, Lifter Arm 21	156501	Screw, 6-40 x 7/32 Fil 13, 14
155750	Sleeve, 3/32 ID x 1/2" Lg Insulating 24, 27	156248	Latch 2, 5	156515	Washer, Felt 20
155753	Sleeve, 1/8 ID x 1/2" Lg Insulating 28	156252	Lifter, Function Blade 21	156536	Screw, 4-40 x 1/8 Fil 17
155995	Screw, 6-40 Shoulder 2, 4	156264	Lever, Detent 13, 16	156558	Washer, Felt 14
156008	Wheel, Feed 11	156265	Bushing, Shoulder 16	156572	Washer, Felt 26
156009	Post, Slide 12	156266	Bushing, Shoulder 13, 16	156576	Washer, Felt 3, 4
156012	Spring, Punch Block 10	156267	Lever, Trip 2, 5	156577	Roller, Detent Lever 11
156013	Screw, 4-40 Spl 12	156268	Bracket, Spring 17	156740	Screw, 6-40 x 7/32 Hex 23
156015	Plate, Spring 9	156276	Eccentric, Right Rotary 13	156835	Ring, Retaining 14
156016	Link, Front Drag 11, 12	156277	Eccentric, Left Rotary 13	156869	Guide, Ribbon 14
156017	Shaft, Eccentric 12	156278	Eccentric 16	156870	Lever, Ribbon Oscillating 15
156019	Washer, Felt 11	156286	Shaft, Right Eccentric 13	156871	Bail, Operating Blade 3
156020	Slide 9	156287	Shaft, Left Eccentric 13	156872	Blade, Operating 3
156024	Plate, Rear 9, 11, 12	156288	Shaft, Axial Eccentric 16	156874	Screw, 4-40 x 15/16 Fil 13, 16
156028	Plate, Front 9, 10, 11, 23, 24, 25	156289	Bearing, Left Front 13	156875	Screw, 6-40 x 5/32 Fil 16
156036	Guide, Tape 11	156290	Bearing, Right Front 13	156876	Bushing 3
156040	Post 11	156291	Bearing, Rear 13	156877	Washer, Felt 3
156042	Post, Spacing 11	156292	Housing, Upper Axial 16	156884	Arm, Rocker 12
156043	Bushing 12	156293	Housing, Lower Axial 16	156899	Stud, Eccentric 3
156044	Stud, Die Wheel 11	156294	Sector, Axial 15	156900	Roller 3
156045	Shaft, Feed Wheel 11	156296	Post, Retaining 17	156901	Post, Eccentric 19
156046	Block, Tape Guide 9	156300	Shaft 17	156905	Block, Rack Guide 14
156047	Spring, Torsion 11	156306	Rod, Right Connecting 14	156908	Post, Sector Pivot 15
156050	Stud, Eccentric 11	156311	Rod, Left Connecting 14	156909	Post, Toggle Link 15
156051	Bushing, Eccentric 12	156313	Rack, Axial Output 16	156922	Arm, Lock Release 17
156052	Shoe, Tape 11	156316	Plate, Rear 17, 28	156931	Bracket, Hammer Mounting 14
156054	Lever, Detent 11	156318	Lever, Reset 2	156937	Link, Printing Drive 3, 21
156055	Wheel, Die 11	156321	Shaft, Oscillating 15	156938	Screw, 6-40 Eccentric Shoulder 21
156057	Washer, Flat 17	156322	Link, Axial Toggle 15	156948	Wick, Felt 15
156058	Link, Rear 12	156332	Shaft, Typewheel 14	156987	Screw, 6-40 Spl 3, 4
156060	Shaft, Eccentric 12	156366	Shaft, Rocker Bail 3, 4	156988	Race, Outer 3, 4
156061	Arm, Tape Shoe 11	156369	Lever, Adjusting 15	156989	Bearing 3, 4
156062	Post, Pivot 11	156382	Roller, Guide 15	156990	Race, Inner 3, 4
156067	Guide, Slide Post 12	156389	Gear, 16T 14	156994	Strip, Felt 3, 4
156069	Plate 9	156390	Washer, Flat 14	156995	Post 3, 4
156070	Bail, Toggle 12	156396	Eccentric 3, 21	156998	Retainer, Roller 3, 4
156077	Plate w/Post 12	156399	Nut, 6-40 Shoulder 3	157252	Bushing 20
156089	Slide w/Insulator 9, 24	156403	Disk, Bearing 3, 4	158169	Frame 4, 5, 8
156090	Screw, 6-40 Adjusting 9, 11	156408	Arm, Clamp 14	158171	Shaft w/Bearing 2, 4
156093	Washer, Felt 12	156412	Link, Drive 3, 4	158172	Lever, Latch 2, 5
156094	Link, Front 12	156413	Link, Drive 21	158177	Collar 8
156095	Bushing 12	156414	Plate, Ribbon Feed Mounting 19	158180	Cam w/Pins 8
156099	Link, Rear Drag 12	156419	Shaft, Left Ribbon Ratchet 19	158182	Disk, Clutch Cam 8
156103	Strip, Felt 12	156421	Shaft, Right Ribbon Ratchet 19	158184	Drum, Function Clutch 7, 8
		156426	Washer, Spring 19	158185	Gear, 49T 8
		156427	Disk, Friction 19	158186	Screw, 4-40 x 7/32 Fil 8
		156428	Washer, Felt 19	158257	Cable Assembly 24
		156433	Pawl, Ribbon Feed 19		

NUMERICAL INDEX (Continued)

Part Number	Description and Page Number	Part Number	Description and Page Number	Part Number	Description and Page Number
158285	Connector, 20 Pt Plug 24	159519	Bushing, Drive Bail 15	159976	Armature 23
158745	Clamp, Bearing 3, 4	159522	Bushing, Drive Bail 15	159977	Hinge 23
158760	Post, Spring 23	159523	Bail, Oscillating Drive 15, 16	159978	Shaft 23
158772	Screw, 4-40 x 5/8 Hex 18	159525	Bracket, Axial Mounting 14 to 16	159979	Arm, Non-Repeat 23
158881	Nut, 6-40 Shoulder 2, 4	159526	Link, Oscillating 16, 21	159980	Post, Spring 23
158925	Slide, Tape Depressor 9	159528	Bar, #5 Push 13	159981	Spacer, .109" Thk 9
158941	Bail, Rocker 4	159529	Bar, #3 Push 13	159987	Bracket, Guide 9
158950	Contact Assembly, Code Reading 24	159530	Bar, #4 Push 13	159988	Plate, Adjusting 11
159011	Bracket, Spring 2, 5	159531	Bar, LTRS Push 13	159989	Post, Shoe Pivot 11
159336	Shield, Contact 24	159532	Bar, FIGS Push 13	159990	Bail, Guide 11
159338	Spacer, .250" Thk 26	159535	Plate, Front 13, 14, 16, 17, 19, 20	159994	Plate, Lifter Arm Lock 21
159341	Bearing, Ball 3, 4	159536	Gear, 15T 14	159995	Arm, Lifter 21
159360	Modification Kit 1, 28	159539	Arm, Printing Pivot 21	159997	Screw, 6-40 Eccentric 21
159363	Modification Kit 1, 9	159544	Release, Clutch 2, 5	160185	Post 26
159364	Modification Kit 1, 23	159560	Spring 9	160354	Cam, Function 7
159365	Modification Kit 9	159565	Bracket w/Post 26	160404	Spring, Contact 28
159379	Modification Kit 1, 24	159568	Bracket, Contact 26	160581	Lever, Upper Reset 5
159381	Modification Kit 1, 26	159570	Spring, Contact 26	160666	Guard, Backspace 24
159382	Modification Kit 1, 26	159571	Stiffener 26	160672	Stud 24
159404	Post 16	159575	Bracket, Stop 26	160673	Shaft, Feedwheel 24
159411	Bearing Assembly 3, 4	159578	Bail, Front Contact 26	160674	Nut, 6-40 Shoulder 9, 24
159413	Plate, Ribbon Reversing 19	159579	Bail, Rear Contact 26	160839	Spacer, Shoulder 3
159427	Bracket, Stop 2, 5	159580	Shaft, Actuating Bail 26	160843	Spring 20
159430	Lever, Slide Trip 2, 5	159597	Washer, Flat 15	160846	Bushing, Shoulder 15
159434	Plate, Lifter Mounting 21	159601	Bracket, Spring 26	160881	Modification Kit 1, 24
159437	Arm, FIGS Yield 17	159621	Screw, 6-40 Shoulder 9	160943	Housing, Typewheel Shaft 14
159438	Arm, LTRS Yield 17	159622	Clamp, Adjusting 9	160944	Washer, Felt 26
159441	Guide, Bellcrank 2	159625	Bracket, Bail Guide 3, 4	160948	Screw, 2-56 Spl 11
159447	Bellcrank, #1 and #4 17	159626	Extension, Drive Link 21	160997	Roller 26
159448	Bellcrank, #2 17	159641	Cable w/Terminals 28	160998	Arm 26
159450	Bellcrank, #3 and #5 17	159642	Shim, .008" Thk 13	161100	Spring, Contact 26
159459	Spring 18	159643	Shim, .008" Thk 16	161102	Spring, Contact 26
159460	Link, Toggle 17	159653	Blade, Signal Bell Function 28	161107	Stud 11
159468	Arm, Lock 17	159654	Latch, Printing 21	161108	Stud 9
159470	Shaft, Lock Arm 17	159656	Block Assembly, Punch 10	161109	Post, Guide 11, 12
159471	Bellcrank, LTRS-FIGS 17	159658	Screw, 6-40 x 1-3/32 Hex 14	161139	Nut, 6-40 Hex 11
159472	Plate, Main 2, 5, 14, 17, 18, 24	159659	Shaft, Eccentric 14	161323	Housing, Gear 14
159476	Arm, FIGS 17	159861	Frame, Main 2, 3, 13, 16, 21, 27	161324	Washer, Flat 14
159477	Arm, LTRS 17	159886	Gear, 49T 7	161334	Lever, Stop 27
159480	Bushing, Eccentric 14	159896	Collar 7	161335	Solenoid Assembly 27
159481	Arm, FIGS Extension 17	159900	Plate 9	161336	Bracket 27
159482	Arm, LTRS Extension 17	159901	Plate w/Post 9	161337	Post, Stop 27
159483	Bracket, Spring 17	159902	Shaft, Rake 9	161338	Lever, Trip 27
159487	Plate, Function Box Front 17, 28	159903	Bellcrank 9	161339	Lever, Hand 27
159488	Bracket, Transfer Mounting 18	159909	Pawl, Feed 9	161340	Modification Kit 1, 27
159489	Plate, #1 18	159910	Latch, Return 9	161341	Modification Kit 1, 27
159490	Plate, #4 18	159911	Plate 9	161347	Washer, Felt 17
159491	Plate, #2 18	159912	Gear, Segment 9	161431	Lever, Rotary Correcting 14
159492	Plate, #0 18	159913	Screw, 6-40 Eccentric 9, 25	161440	Spring 16
159493	Plate, #5 18	159916	Eccentric 9	161443	Detent, Axial Shaft 16
159494	Plate, #3 18	159954	Link, Adjusting 23	161444	Detent, Rotary Shaft 13
159495	Beam, #5 Pulse 18	159955	Link, Drive 23	161493	Post, Supporting 24
159496	Beam, #3 Pulse 18	159956	Post 23	161524	Shaft, Hammer 14
159497	Beam, #2 Pulse 18	159957	Link 23, 24	162092	Bail, Tape Guide 11
159498	Lever, #5 Pulse 18	159958	Latch 23	162093	Spring, Torsion 11
159499	Lever, #3, #4 and #5 Transfer 18	159959	Extension 23	162340	Sleeve 7, 8
159500	Beam, #4 Pulse 18	159960	Eccentric 23	162341	Bearing 7
159501	Beam, #1 Pulse 18	159961	Arm, Eccentric 23	162346	Extension, Adjustable 19
159502	Guide, Transfer Lever 18	159962	Ring, Retaining 23	162347	Arm, Ribbon Drive 19
159503	Shaft 17	159963	Hub 23	162350	Bail, Rocker 3
159504	Spacer, .037" Thk 18	159965	Arm, Adjusting 23	162362	Blade, Space Function 28
159506	Lever, #1 and #2 Transfer 18	159973	Bracket w/Bushing 23	162363	Stripper 28
159512	Link, Printing Trip 21	159974	Eccentric 23	162364	Bearing 8
159515	Blade, FIGS Function 17	159975	Bail, Armature 23	162375	Modification Kit 1, 28
159516	Blade, LTRS Function 17			162466	Shield, Rear End 6
				162467	Shield, Front End 6
				162573	Retainer 8

NUMERICAL INDEX (Continued)

Part Number	Description and Page Number	Part Number	Description and Page Number	Part Number	Description and Page Number
162763	Bail, Reset 12	173338	Modification Kit 8	175712	
162850	Handle 19, 20	173340	Collar 7, 8	thru	
162862	Bar, Mounting 2, 26	173754	Spacer 14	175716	Typewheel 29
162863	Sleeve, Blocking 28	173755	Guide, Ribbon 14	175718	
162886	Screw, 4-40 x 7/32 Hex 17, 28	173756	Lever, Print Hammer 14	thru	
163009	Pinion, 21T 4	173770	Block Assembly, Punch 10	175724	Typewheel 29
163010	Gear, 49T 8	173775	Shaft, Typewheel 14	175727	
163015	Pinion, 28T 2	173965	Typewheel, ARA 29	thru	
163016	Gear, 49T 7	173967	Typewheel, AWA 29	175736	Typewheel 29
163113	Washer, Flat 14	173968	Typewheel, ARJ 29	175739	
163290	Cable Assembly 24	173969	Typewheel, ARS 29	thru	
163327	Ring, Retaining 27	173970	Typewheel, ARE 29	175752	Typewheel 29
163429	Screw, 6-40 Shoulder 21	173971	Typewheel, ARC 29	176138	Modification Kit 14
163675	Typewheel, ARK 29	173977	Shaft, Print Hammer 14	176252	Washer, Flat 3
163676	Typewheel, ARL 29	173978	Spring, Torsion 14	176489	Guide 2, 3, 13
163677	Typewheel, ARM 29	173979	Head, Hammer 14	176490	Bracket w/Hubs 2, 5, 26
163678	Typewheel, ARP 29	173980	Lever, Print Hammer 14	176647	Latch w/Hub 23
163679	Typewheel, ARZ 29	173981	Accelerator, Hammer 14	176658	Motor, 115V. 60 Cycle, AC 6
163680	Typewheel, ART 29	175500		176679	Capacitor, 3.3 MFD 6
163681	Typewheel, ARY 29	thru		176686	Frame 6
163682	Typewheel, ARX 29	175507	Typewheel 29	176687	Bracket, Motor 6
163683	Typewheel, ARW 29	175510		176688	Plate, Mounting 6
163684	Typewheel, ARV 29	thru		176689	Bracket, Mounting 6
163685	Typewheel, AWB 29	175518	Typewheel 29	176747	Gear, 42T 8
163686	Typewheel, AWC 29	175519	Typewheel, AXW 29	176749	Gear, 14T 6
163687	Typewheel, AWD 29	175520		176823	Bushing 6
163688	Typewheel, AWE 29	thru		178178	Lever, Adjusting 20
163689	Typewheel, ARU 29	175529	Typewheel 29	178916	Bellcrank 25
163690	Typewheel, AWF 29	175531		178917	Modification Kit 1, 25
164511	Lever w/Hub 11	thru		178918	Modification Kit 1, 25
164513	Pawl, Feed 12	175539	Typewheel 29	178919	Pawl, Backspace 25
164514	Guide, Tape 9	175543	Typewheel 29	178920	Post, Eccentric 25
164515	Spring, Torsion 11	175544	Typewheel 29	178921	Plate w/Post 25
164521	Plate w/Studs 20	175546	Typewheel, AYZ 29	178922	Nut, 6-40 Shoulder 25
164525	Post, Spring 20	175547	Typewheel, AYZ 29	178923	Bellcrank Assembly 25
164526	Slide w/Post 20	175550	Typewheel 29	178924	Shaft 25
164528	Bushing 20	175552		178925	Ratchet, 24T 25
164529	Lever, Ribbon Reverse 20	thru		178926	Screw, 2-56 Spl 25
164530	Bushing 20	175574	Typewheel 29	178927	Clamp, Adjusting 25
164531	Pawl, Check 20	175576	Typewheel 29	178930	Guard 25
164532	Pawl, Feed 20	175577	Typewheel 29	178931	Post 25
164535	Shaft, Right Ribbon Ratchet 20	175578	Typewheel 29	178932	Post, Supporting 25
164538	Shaft, Left Ribbon Ratchet 20	175579	Typewheel 29	179274	Wheel, Feed 11
164539	Spring, Ratchet 20	175581		179573	Nut, 6-40 Hex 12
164540	Detent 20	thru		179579	Decalcomania, Arrow 20
164541	Arm, Ribbon Drive 20	175593	Typewheel 29	192661	Post 3, 4
164543	Lever, Adjustable Extension 20	175595		192709	Link w/Hub 3, 4
164964	Washer, Felt 20	thru		192793	Guard 26
164965	Washer, Flat 20	175634	Typewheel 29	192849	Bar, #2 Push 16
170199	Bracket, Anchor 11	175636		192877	Bushing, Guide 14
170219	Stud, Die Wheel 11	thru		193804	Armature 23
170241	Screw, 6-40 Adjusting 11	175640	Typewheel 29	193821	Bracket w/Post 23
170242	Slide, Feed Hole Punch 9	175642		193822	Clamp 23
170246	Slide w/Insulator 9	thru		193824	Latch w/Hub 23
170247	Guide 9	175653	Typewheel 29	193825	Magnet Assembly, Backspace 23
170778	Block Assembly, Punch 11	175655			
170779	Wheel, Feed 11	thru		193879	Bar, #1 Push 16
170788	Wheel, Die 11	175667	Typewheel 29	193966	Bracket w/Stud 22
170803	Bail, Retractor 10	175669		193968	Post 22
172638	Screw, 6-40 x 9/32 Hex 9	thru		193969	Post 22
172640	Modification Kit 1, 9	175672	Typewheel 29	193972	Extension w/Stud 22
172983	Bracket, Spring 12	175674		193974	Depressor, Tape 22
172984	Bracket, Spring 10	thru		193976	Bail, Rocker 4
172993	Spring 10	175701	Typewheel 29	193987	Bracket, Roller 22
173200	Sleeve, Bearing 7	175705		194117	Plate, Clamp 22
173203	Sleeve, Bearing 8	thru		194118	Spring, Torsion 22
173336	Modification Kit 7	175710	Typewheel 29	194122	Platform w/Guide, Tape 22

NUMERICAL INDEX (Continued)

Part Number	Description and Page Number	Part Number	Description and Page Number	Part Number	Description and Page Number
194123	Screw, 4-40 Spl 22	305638	Bracket, Guide 12	307340	
194162	Bail, Reset 12	307300		thru	
194992	Modification Kit 9, 10			307351	Typewheel 29
194993	Guide, Tape 10	307312	Typewheel 29	307353	
195233	Roller 22	307314		thru	
195235	Bail, Rocker 3, 21			307358	Typewheel 29
195284	Ring, "O" 14	307323	Typewheel 29	307360	
199506	Gasket 10	307326		thru	
304543	Plate, Corrector 16			307384	Typewheel 29
		307338	Typewheel 29		