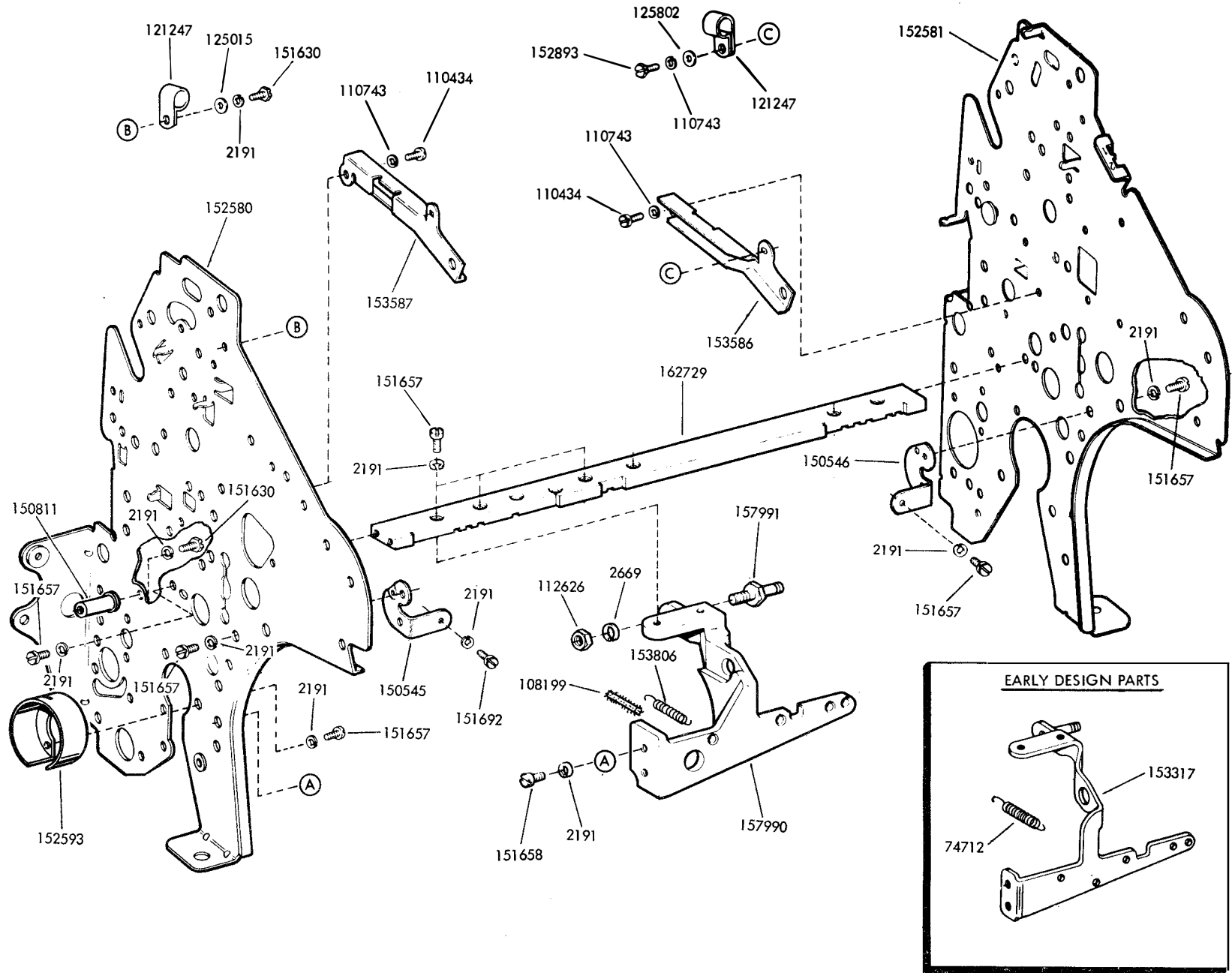
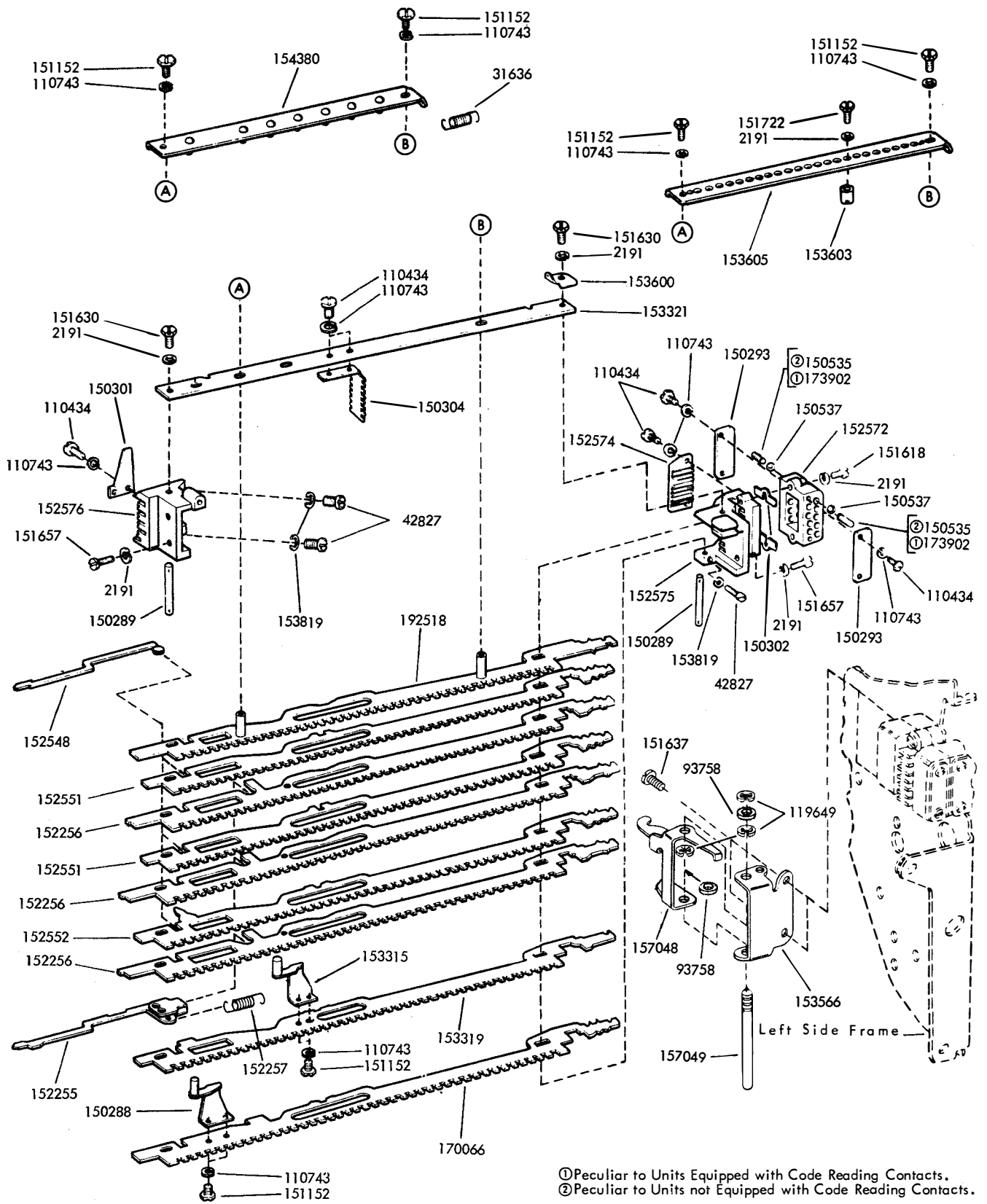


28 SEQUENCE SELECTOR (LS)
PARTS

FIGURE	CONTENTS	PAGE
1	Side Frames and Components	2
2	Code Bar Mechanism	3
3	Code Reading Contacts	4
4	Selector Magnet Mechanism	5
5	Front Plate Mechanism	6
6	Clutch Trip Mechanism	6
7	Reset Bail Mechanism	7
8	Main Shaft Mechanism	8
9	Selector Mechanism	9
10	Code Bar Positioning Mechanism	10
11	163146 Modification Kit to Provide Universal Contacts	11
12	Stunt Box Mechanism	12
13	Stunt Box Shift Slide Mechanism	13
14	Stunt Box Arrangements	14
15	Stunt Box Arrangements (Continued)	15
16	New Style Stunt Box Switch Assemblies	16
17	Early Design Stunt Box Switch Assemblies	17
18	Replacement Parts for Early Design Stunt Box Switch Assemblies	18
19	Coded and Uncoded Function Bars	19
20	Function Bar Condition Chart for 5 Level Baudot Code	20
21	Function Bar Condition Chart for 5 Level Baudot Code (Continued)	21
	Modification Kits For Stunt Box Conversion	22
	Numerical Index	23

FIGURE 1. SIDE FRAMES AND COMPONENTS





① Peculiar to Units Equipped with Code Reading Contacts.
 ② Peculiar to Units not Equipped with Code Reading Contacts.

FIGURE 2. CODE BAR MECHANISM

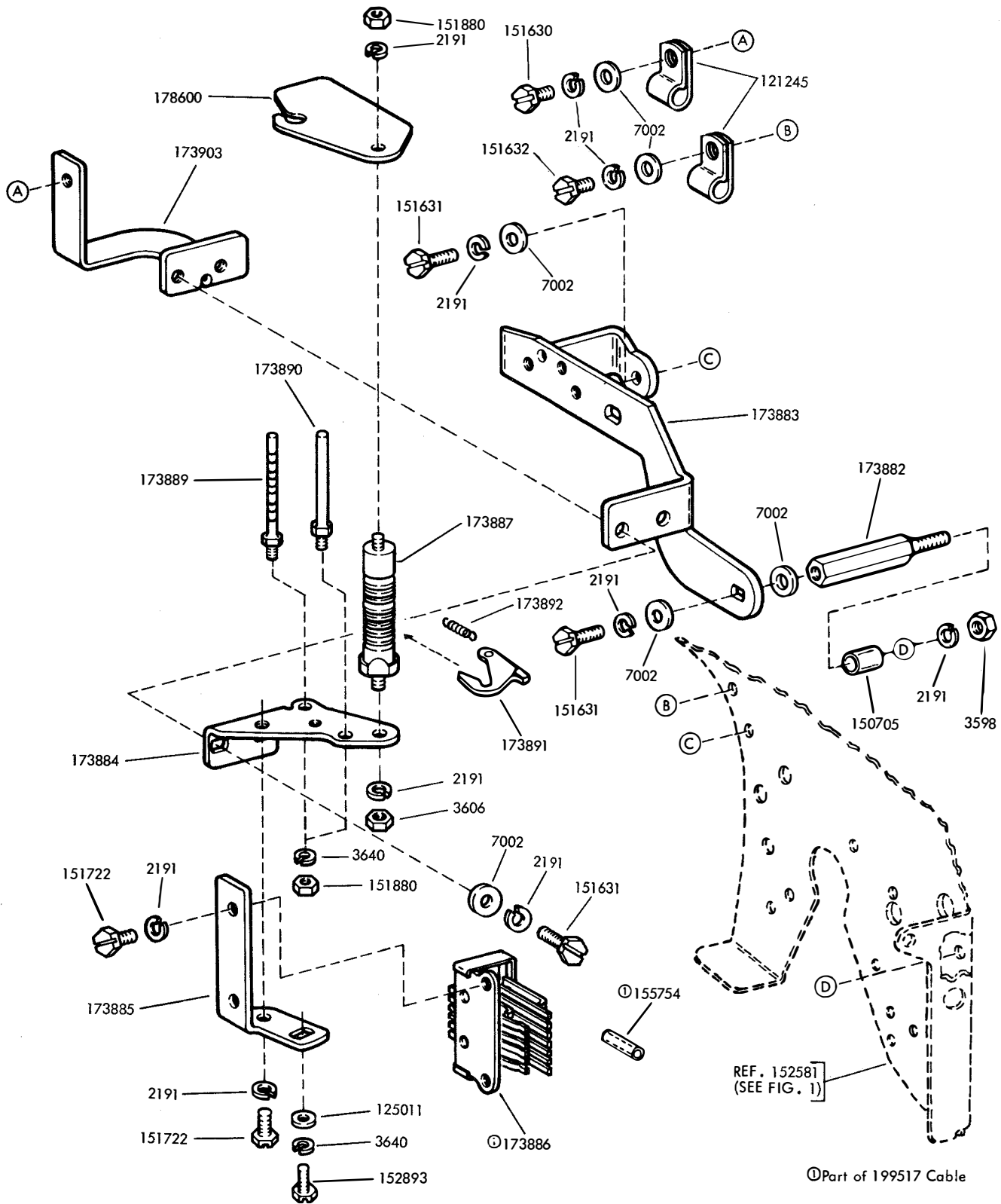


FIGURE 3. CODE READING CONTACTS

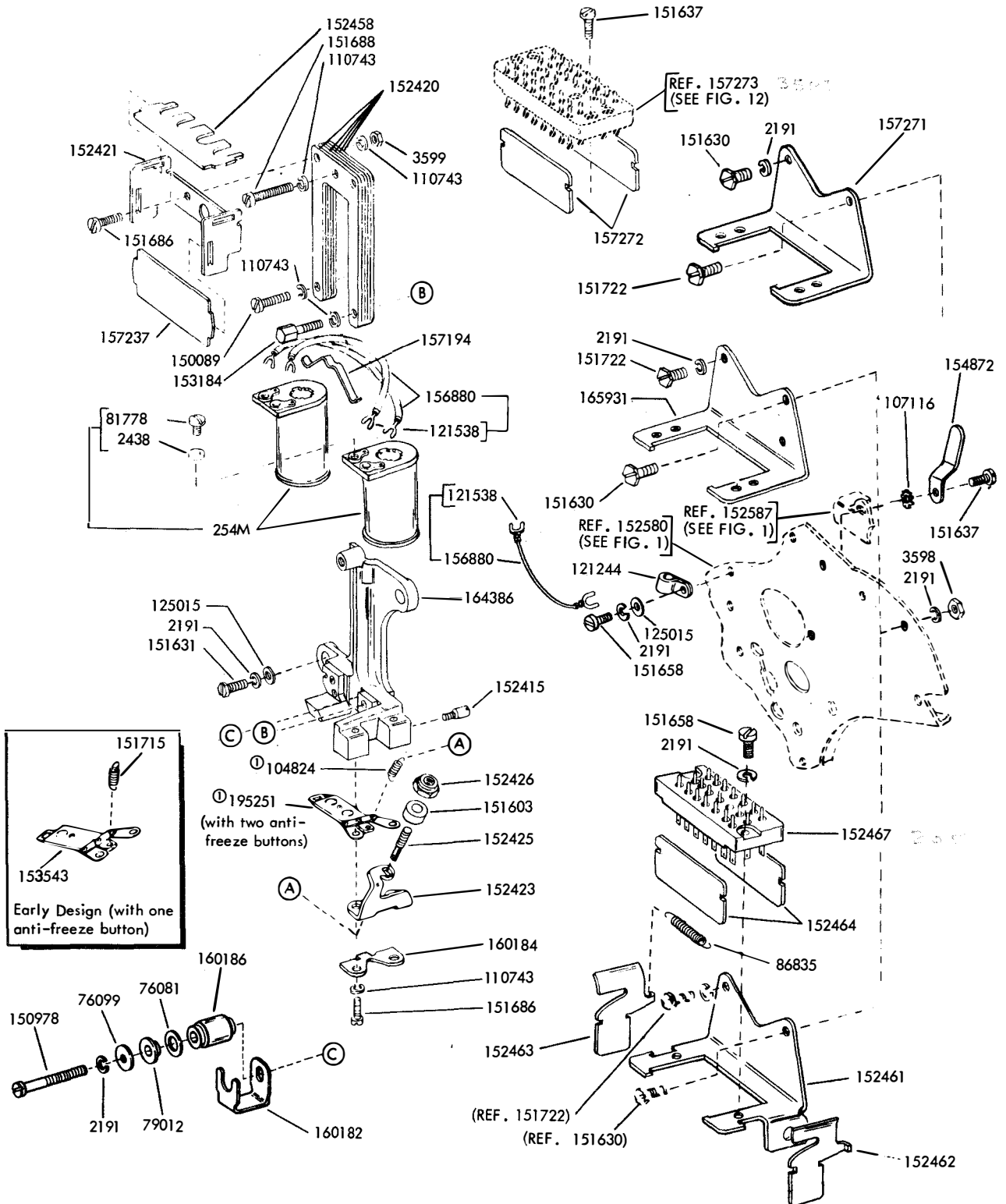


FIGURE 4. SELECTOR MAGNET MECHANISM

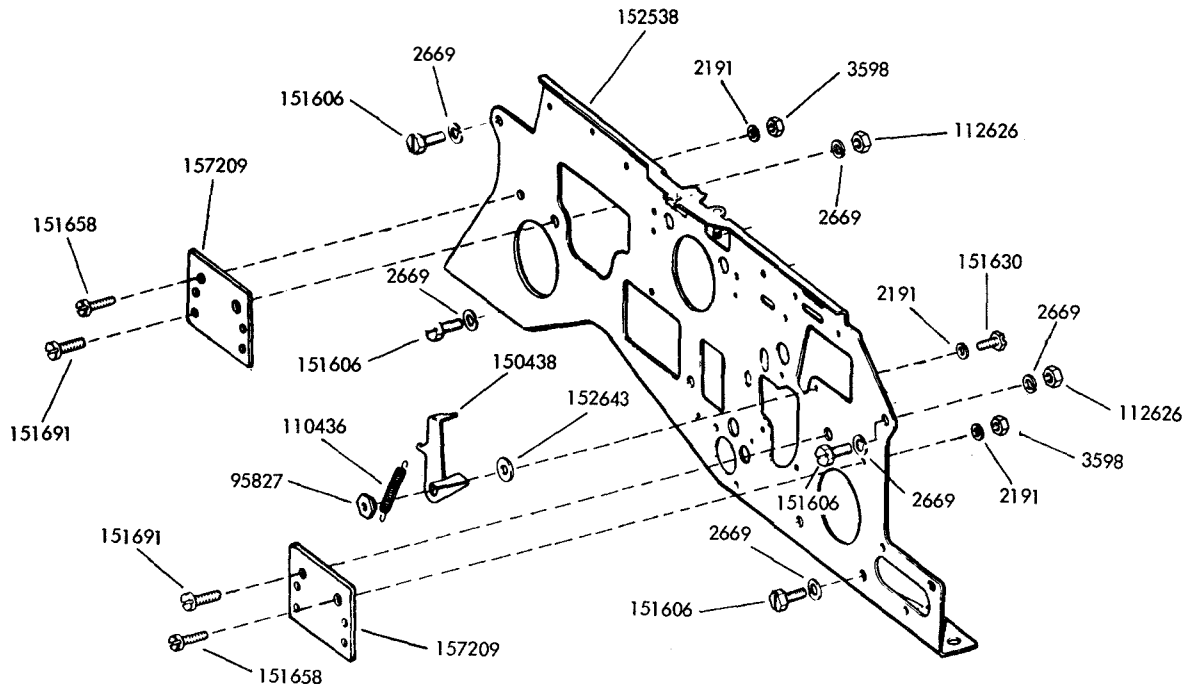


FIGURE 5. FRONT PLATE MECHANISM

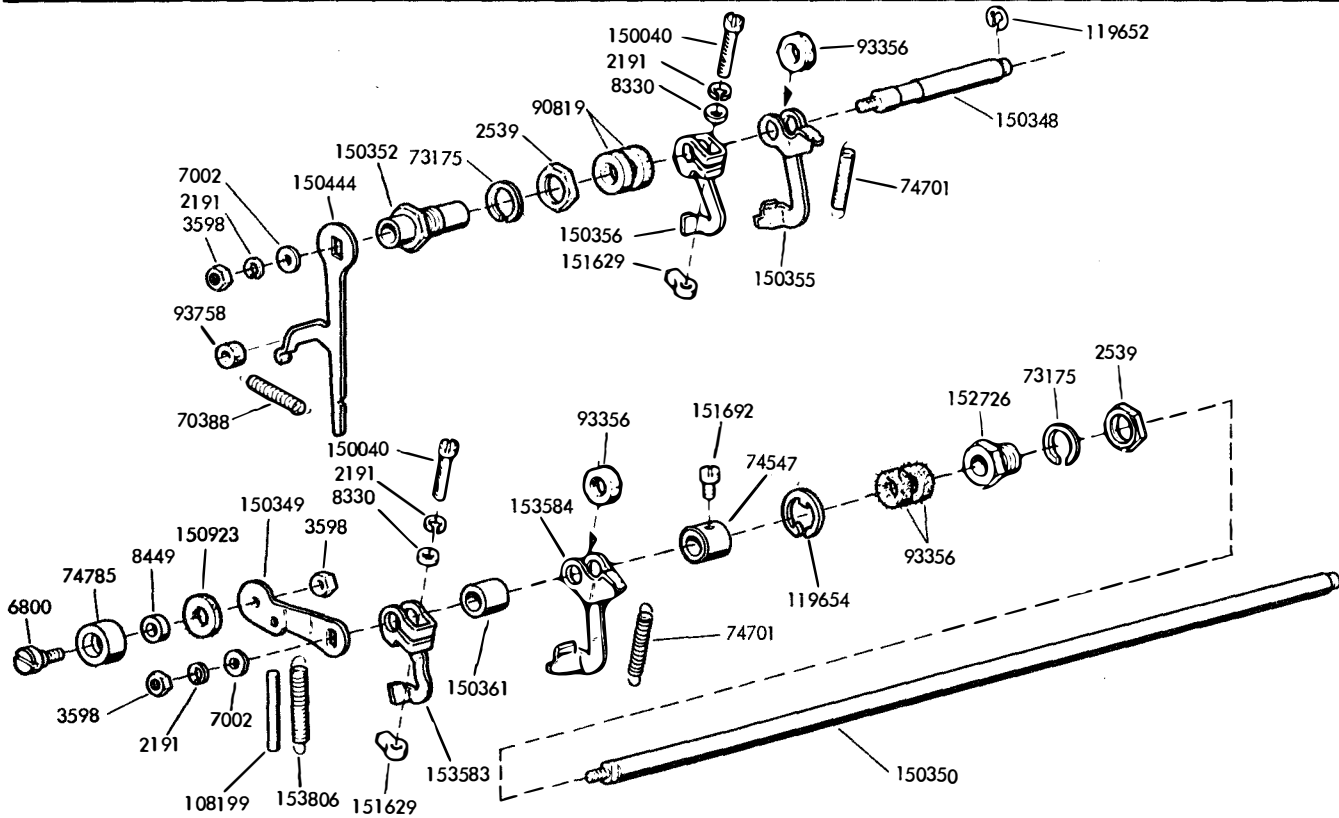


FIGURE 6. CLUTCH TRIP MECHANISM

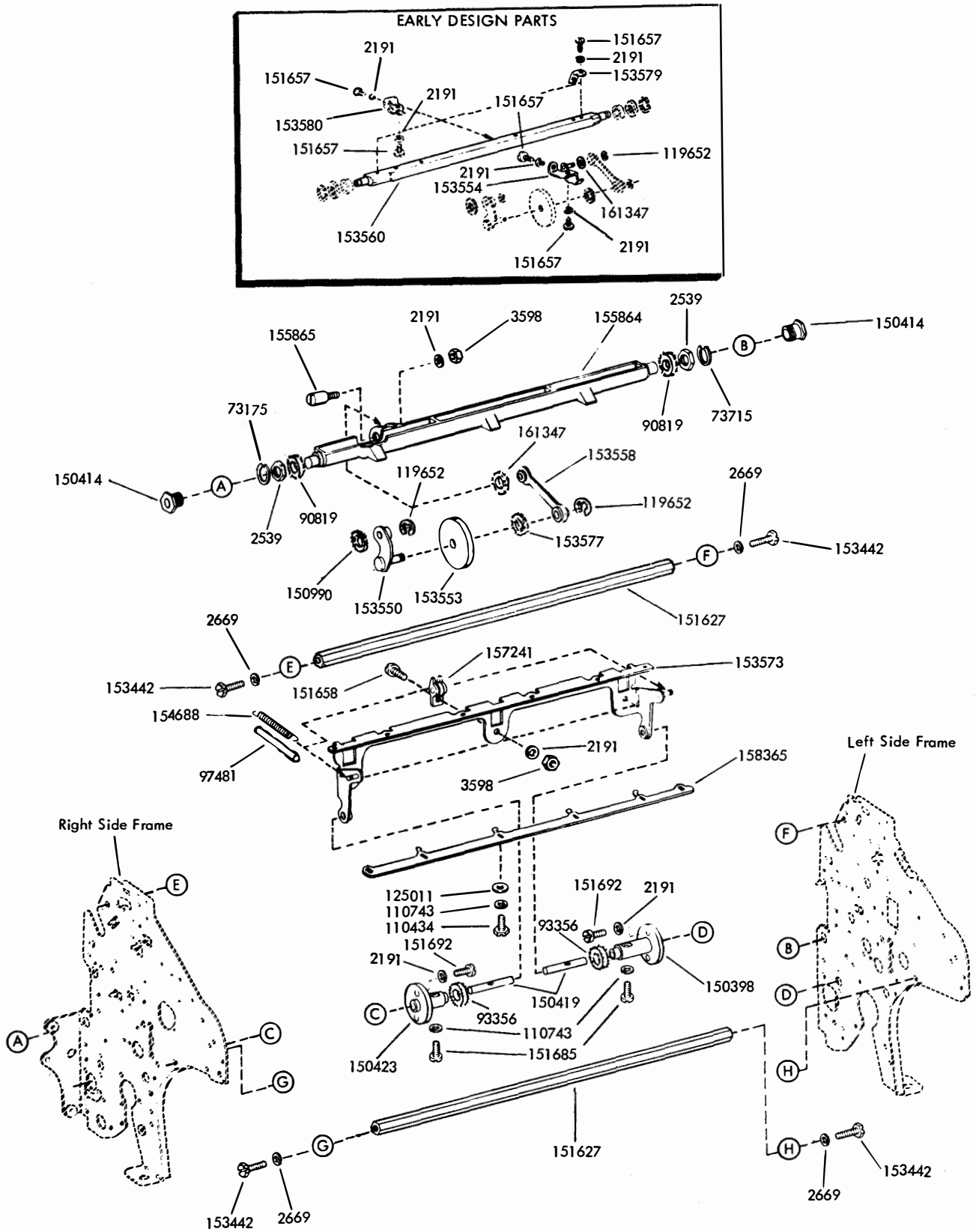


FIGURE 7. RESET BAIL MECHANISM

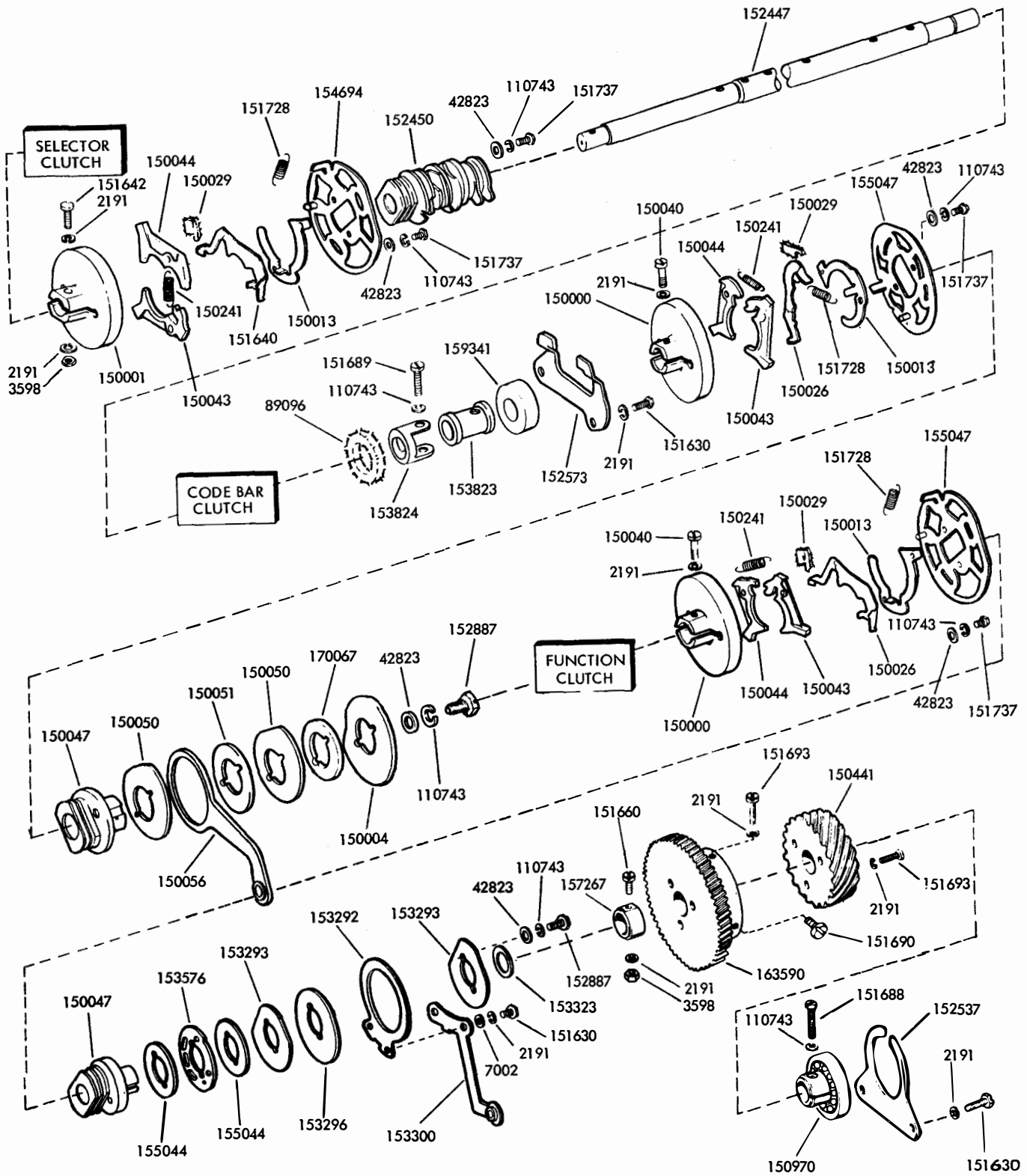


FIGURE 8. MAIN SHAFT MECHANISM

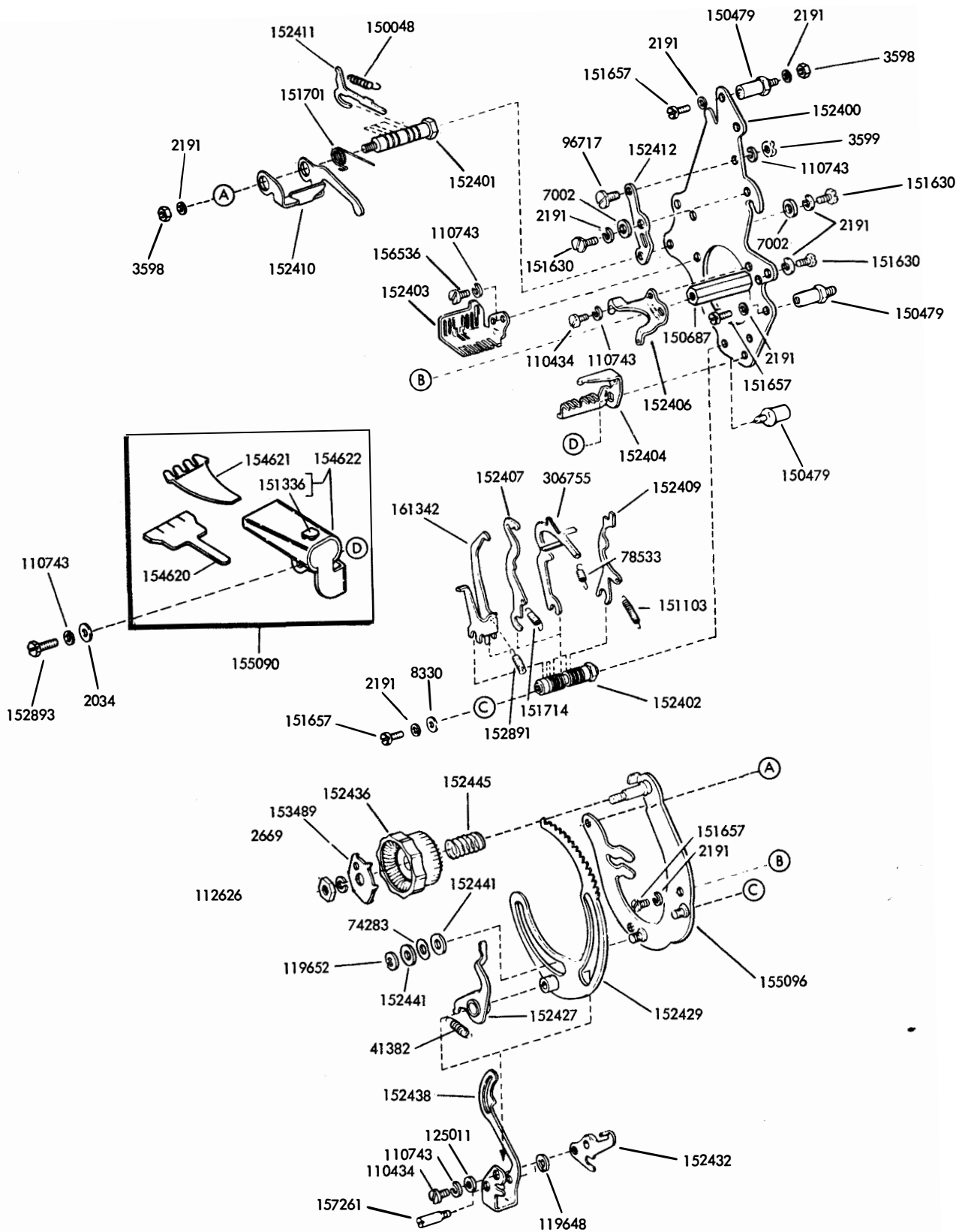


FIGURE 9. SELECTOR MECHANISM

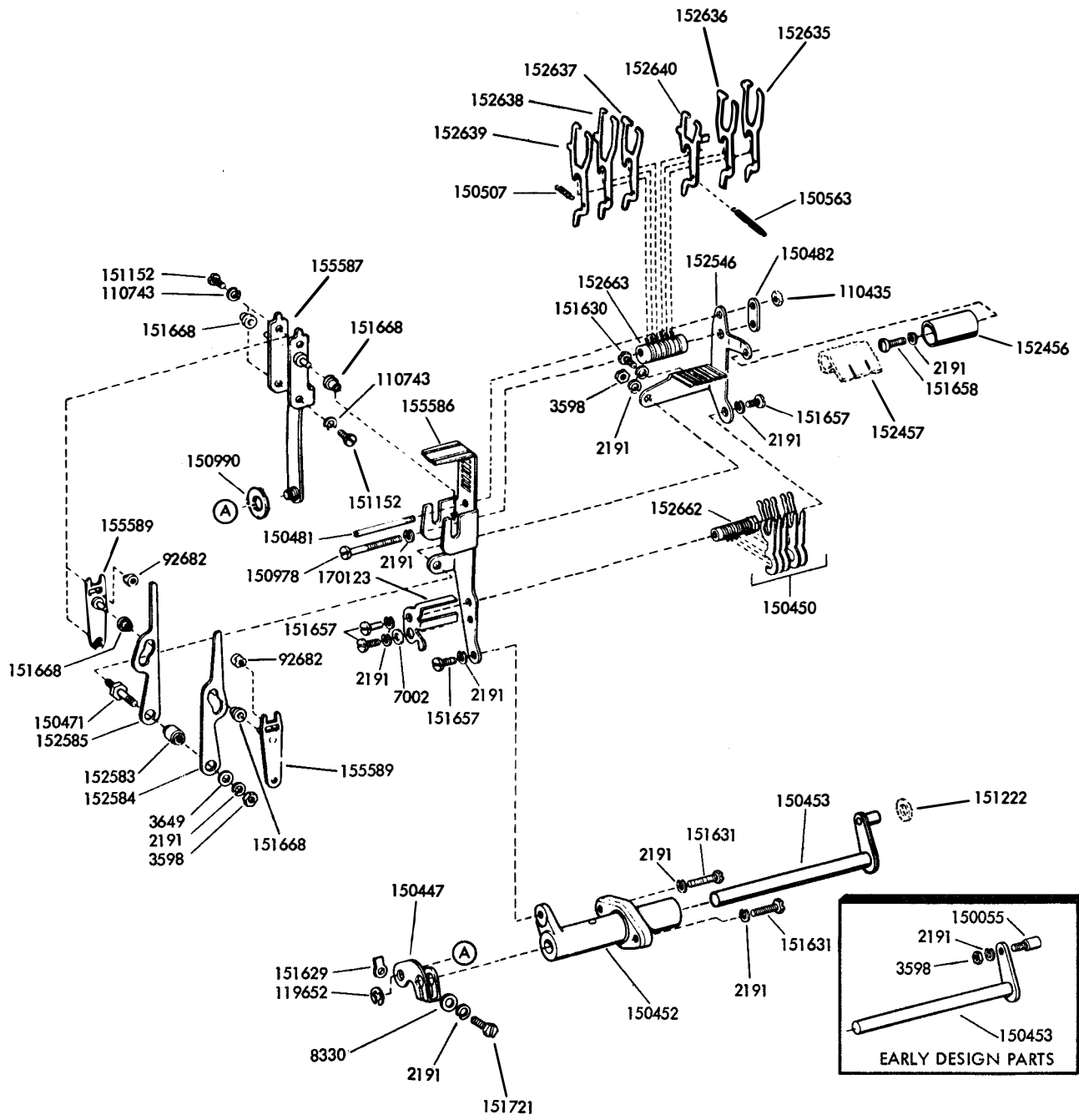


FIGURE 10. CODE BAR POSITIONING MECHANISM

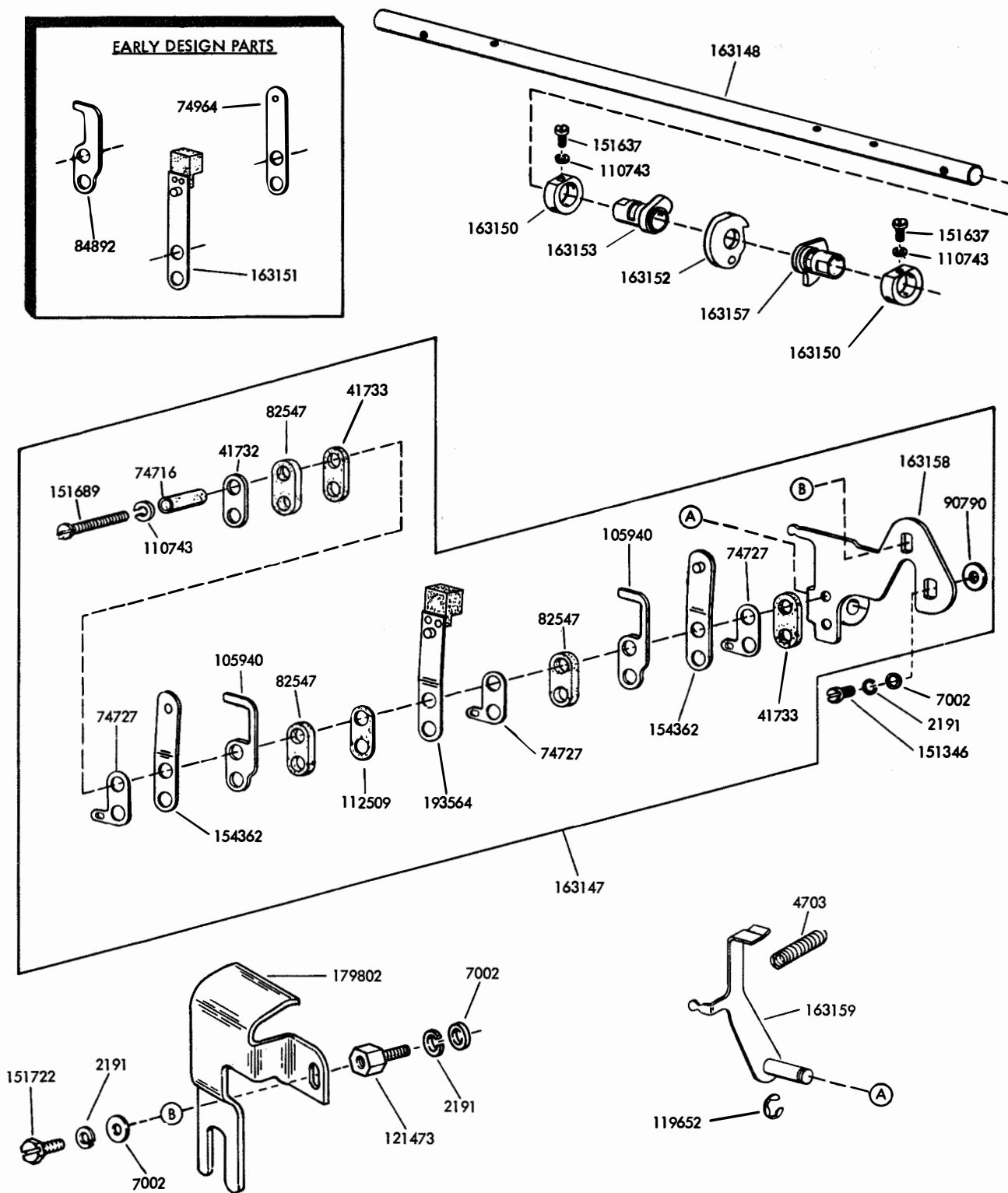


FIGURE 11. 163146 MODIFICATION KIT TO PROVIDE UNIVERSAL CONTACTS

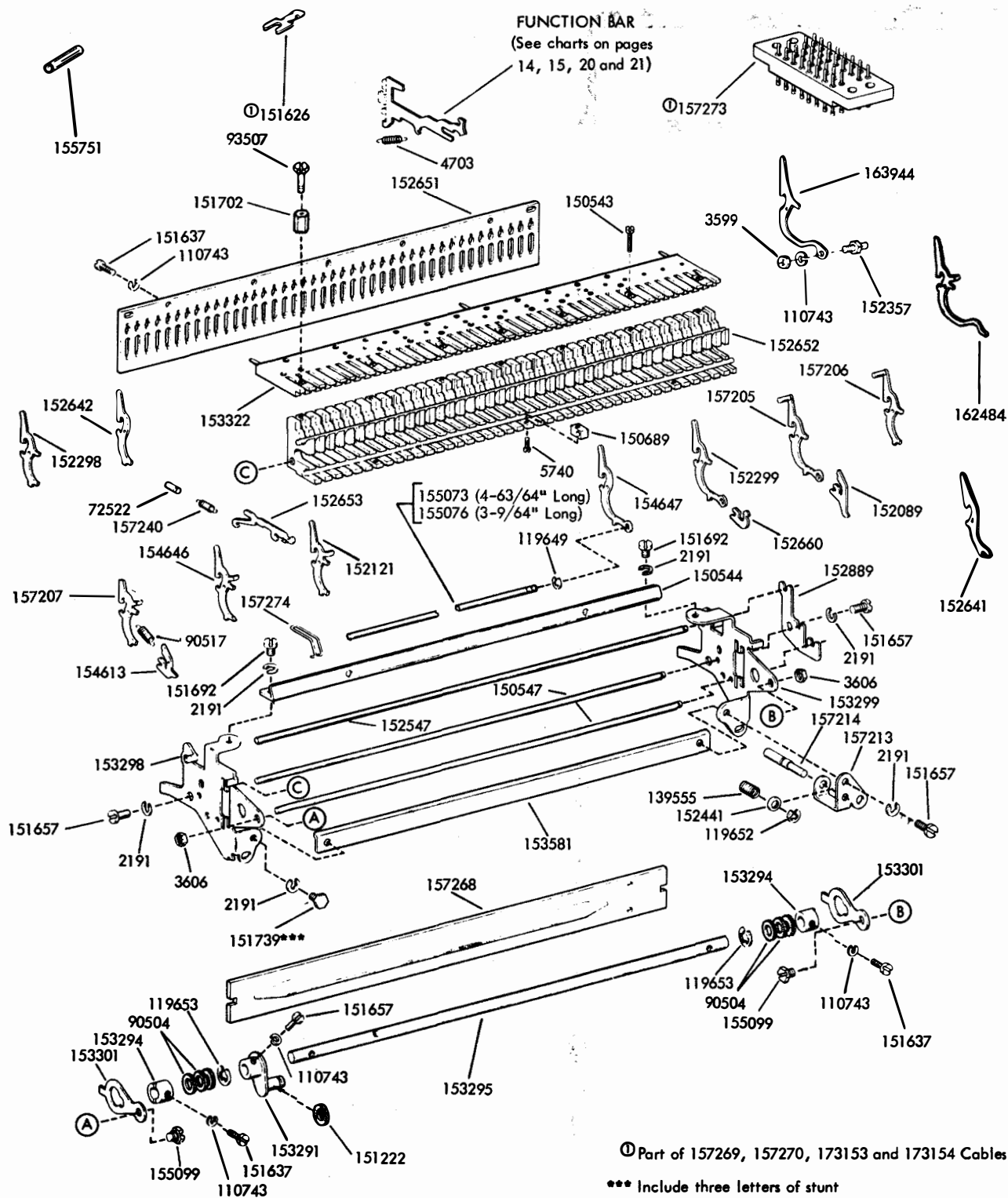
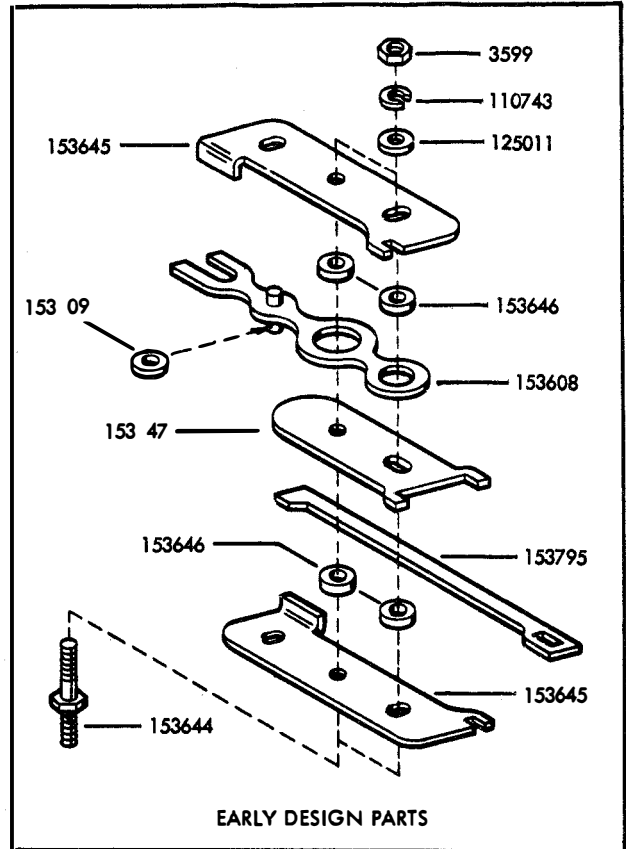
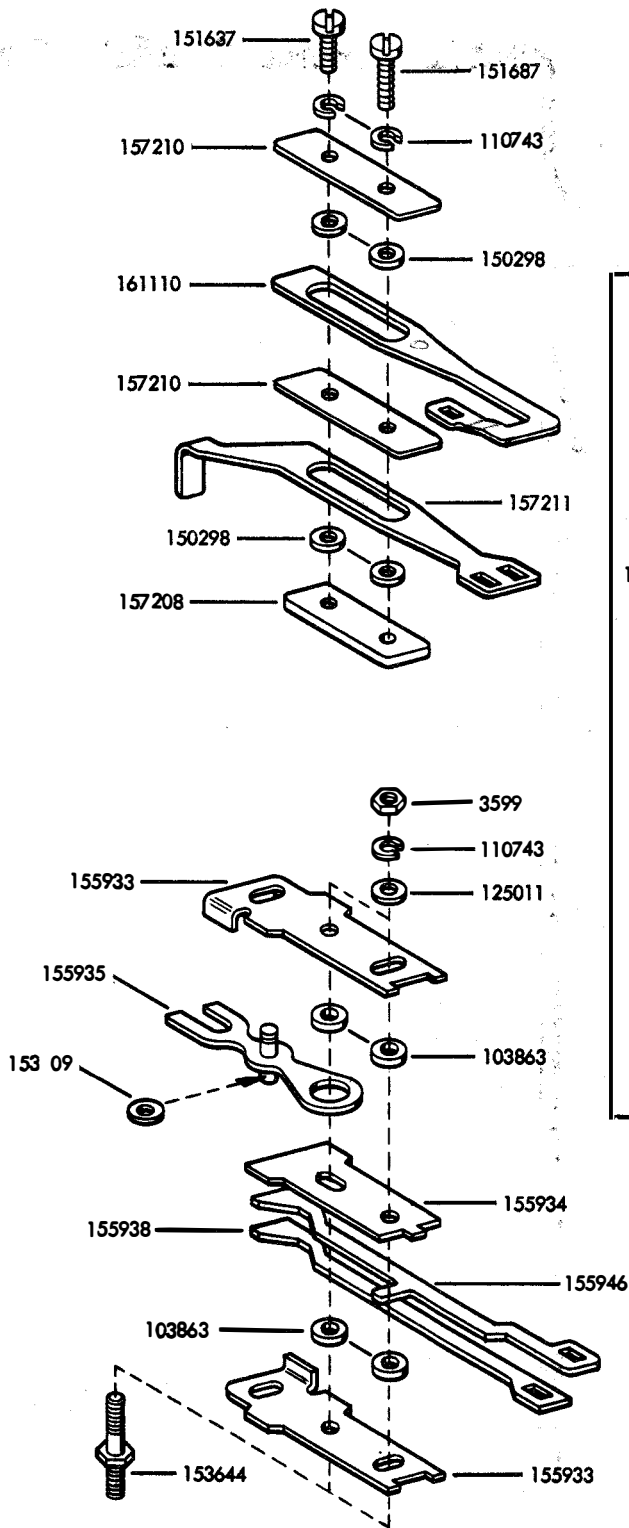


FIGURE 12. STUNT BOX MECHANISM



Note:
New and early design parts are not individually interchangeable but are interchangeable in sets.

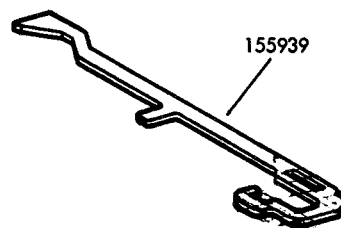


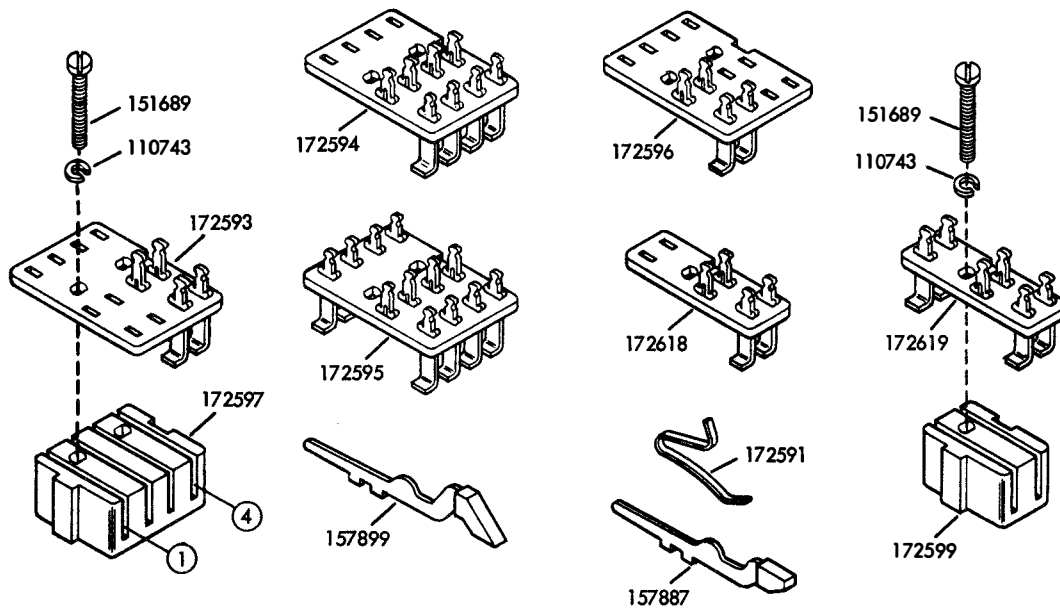
FIGURE 13. STUNT BOX SHIFT SLIDE MECHANISM

STUNT BOX ARRANGEMENTS															
Slot Number	154990 Arrangement "ADA"			154991 Arrangement "ADB"			154992 Arrangement "ADC"			154993 Arrangement "ADD"			173151 Arrangement "ADG"		
	Function Bar	Function Lever	Plate or Latch	Function Bar	Function Lever	Plate or Latch	Function Bar	Function Lever	Plate or Latch	Function Bar	Function Lever	Plate or Latch	Function Bar	Function Lever	Plate or Latch
1															
2															
3															
4										152666	152121	154613			
5										152683	152121	154613			
6										152665	154647	152660			
7										155124	152121	152089			
8										155218	152298	152089			
9	152666	152121	154613	152666	152121	154613	152666	152121	154613				152666	152121	154613
10	152683	152121	154613	152683	152121	154613	152683	152121	154613				152683	152121	154613
11	152665	152299	152660	152665	152299	152660	152665	152299	152660	152666	152121	154613	152665	152299	152660
12	155121	152121	154613							152683	152121	154613			
13	152667	152121	154613	152667	152121	154613	152667	152121	154613	152665	154647	152660	152667	152121	154613
14	152668	152298	152089	152668	152298	152089	152668	152298	152089	152667	152121	154613	152668	152298	152089
15										152668	152298	152089			
16											152121	154613			
17											152298	154613			
18		157207	154613	152667	157207	154613	152667	157207	154613		152121	154613			
19		157206	154613	152668	157206	152660	152668	157206	152660		152298	154613			
20		157207	154613					157207	154613						
21		157206	154613					157206	152089						
22								157207	154613						
23				152666	152642	152660		157206	152089						
24		157207	154613	152665	152642	152660					152121	154613			
25		157206	154613		152642	152660	155311	152642	152660		152298	154613			
26	152666	152121	154613	152666	152121	154613	152666	152121	154613		152121	154613	152666	152121	154613
27	152683	157207	154613	152683	157207	154613	152683	157207	154613		152298	154613	152683	157207	154613
28	152665	157205	152660	152665	157205	152660	152665	157205	152660				152665	157205	152660
29															
30															
31															
32		152298	152089												
33	155121	152299	152660		152642	152660	155114	152642	154660						
34		152298	152089												
35	152669	152121	154613				152669	152121	154613	155218	154647	152660			
36	152669	152642	152660	155129	152642	152660	152669	152642	152660	155313	154646	154613			
37										152669	152121	154613			
38	155311	152642	152660	155110	152642	152660	155121	152642	152660	152669	152642	154613			
39										155121	152642	152660			
40	155311	152298	152089	155311	152298	152089	155311	152298	152089	155311	152298	152089	155311	152298	152089
41	155124	152298	154613	155124	152298	154613	155124	152298	154613	155124	152298	154613	155124	152298	154613
42	155117	152298	154613	155117	152298	154613	155117	152298	154613	155117	152298	154613	155117	152298	154613

FIGURE 14. STUNT BOX ARRANGEMENTS

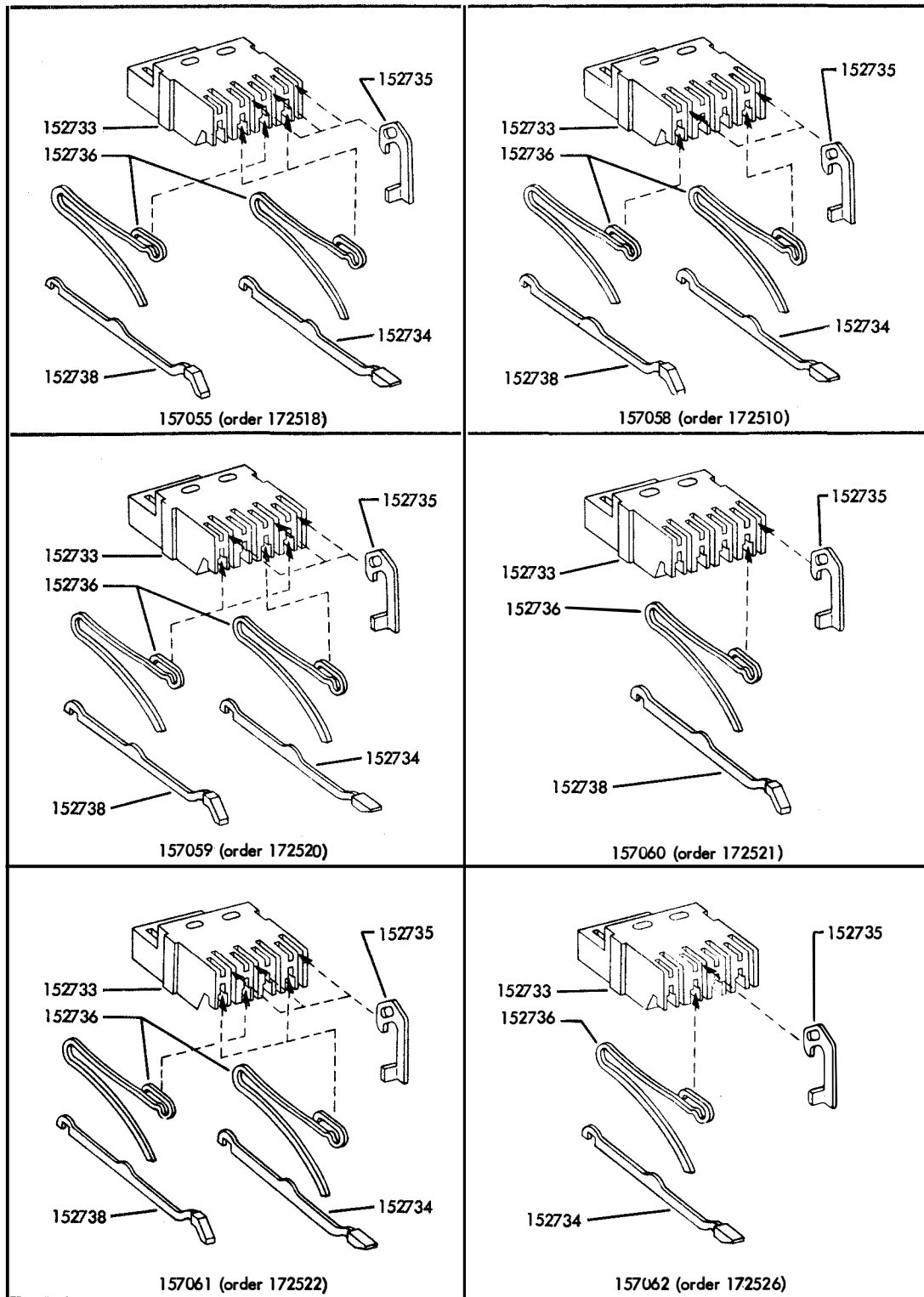
STUNT BOX ARRANGEMENTS (Continued)												Slot Number
154994 Arrangement "ADH"			179146 Arrangements "ADL"			199514 Arrangements "ADM"			305693 Arrangement "ADN"			
Function Bar	Function Lever	Plate or Latch	Function Bar	Function Lever	Plate or Latch	Function Bar	Function Lever	Plate or Latch	Function Bar	Function Lever	Plate or Latch	
				152642	152660					152642	152660	1
			152666	152641	152660				152666	152641	152660	2
			152665	152641	152660	155121	152298	154613	152665	152641	152660	3
152666	152121	154613				152666	152121	154613				4
152683	152121	154613				152683	152121	154613				5
152665	154647	152660				152665	154647	152660				6
155124	152121	152089				155124	152121	152089				7
155218	152298	152089				155218	152298	152089				8
						152667	152642	152660				9
							152121	152089				10
152666	152121	154613					152121	154613		152121	154613	11
152683	152121	154613					152298	154613		152121	154613	12
152665	154647	152660								152121	154613	13
152667	152121	154613				152667	152121	154613		152642	152660	14
155218	152298	152089				152668	152298	152089		152121	154613	15
	152121	154613					152121	154613		152121	154613	16
	152298	154613				155112	152121	154613		152121	154613	17
	152121	154613				155121	152298	152089		152642	152660	18
	152298	154613					152121	154613		152121	154613	19
						155112	152121	154613		152121	154613	20
						155121	152298	152089		152121	154613	21
							152121	154613		152642	152660	22
						155124	152298	154613		152121	154613	23
	152121	154613					152121	154613		152121	154613	24
	152298	154613				155124	152298	154613		152121	154613	25
	152121	154613					152121	154613		152642	152660	26
	152298	154613					152298	154613				27
							152121	154613				28
								154613				29
							152121	154613				30
							152298	154613				31
						152666	152121	154613				32
155218	152642	152660				152683	152121	154613				33
155313	152121	154613				152665	154647	152660				34
	152298	152089				155313	162484	154613				35
155218	154647	152660				155218	163944	152660				36
152669	152121	154613				152669	152121	154613				37
152669	152642	152660				152669	152642	152660				38
155121	152642	152660										39
155311	152298	152089	155311	152298	152089	155311	152298	152089	155311	152298	152089	40
155124	152298	154613	155124	152298	154613	155124	152298	154613	155124	152298	154613	41
155117	152298	154613	155117	152298	154613	155117	152298	154613	155117	152298	154613	42

FIGURE 15. STUNT BOX ARRANGEMENTS (Continued)



SWITCH ASSEMBLY	CONTACT PLATE ASSEMBLY	CONTACT ARM POSITION				SWITCH ASSEMBLY	CONTACT PLATE ASSEMBLY	CONTACT ARM POSITION			
		1	2	3	4			1	2	3	4
172502	172593				157887	172544	172595		157899		157887
172510	172594	157899		157899	157887	172545	172595	157899		157899	
172518	172594		157887	157899	157887	172549	172595				157887
172520	172594	157899		157887	157899	172550	172593	157899			157899
172521	172593				157899	172553	172595		157887	157899	
172522	172594	157887	157899		157887	172573	172595	157899	157899	157899	157887
172524	172594	157887			157887	172574	172595	157899		157899	157887
172526	172596		157887			172577	172595	157899	157899	157899	
172527	172595			157887		172579	172595		157899	157887	
172529	172595			157887	157887	172581	172595		157899		157899
172534	172594		157899	157887		172587	172595			157899	
172535	172594			157899	157887	172603	172619	157887			
172536	172594	157899	157887	157899							

FIGURE 16. NEW STYLE STUNT BOX SWITCH ASSEMBLIES

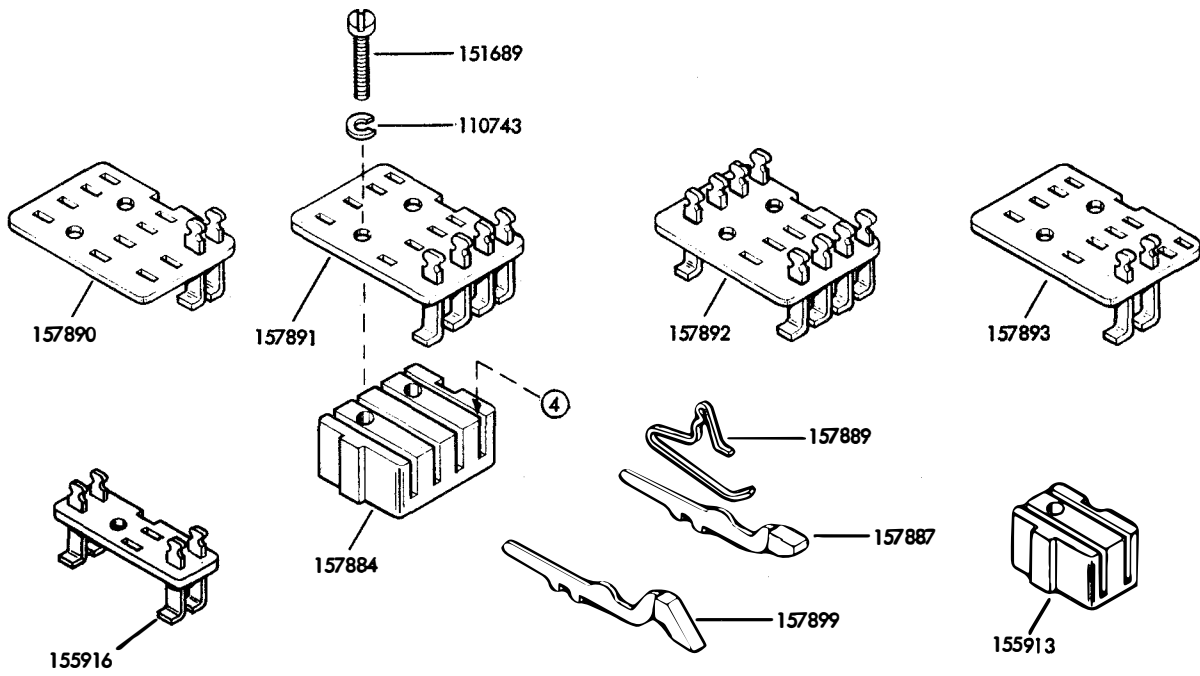


Note:

These Assemblies are no longer available.

New and early design parts are not individually interchangeable but the switch assemblies are interchangeable.

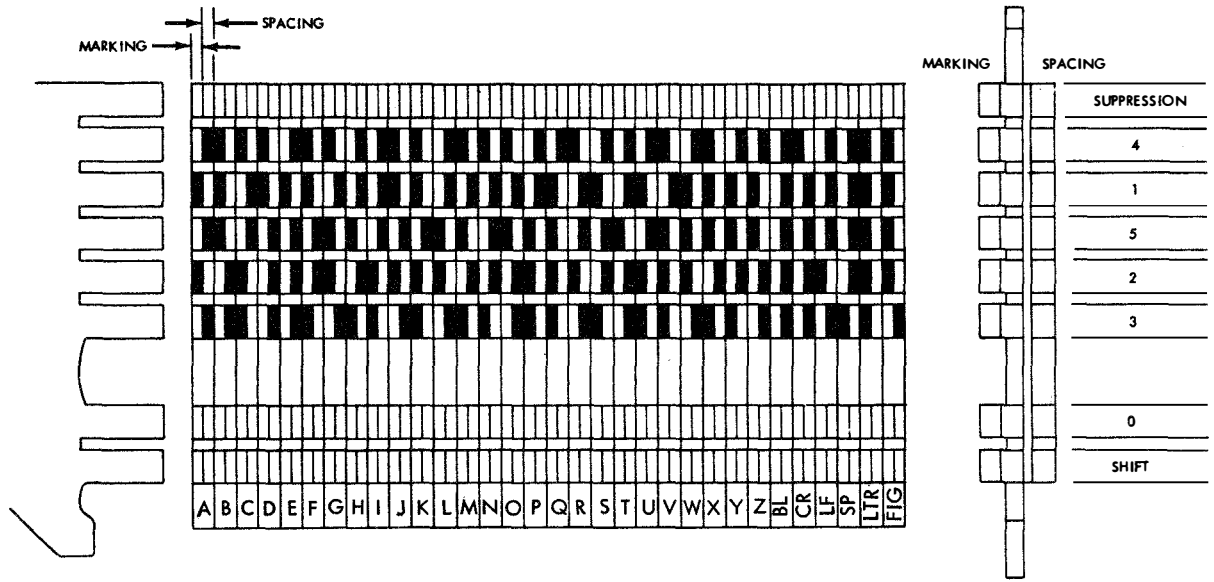
FIGURE 17. EARLY DESIGN STUNT BOX SWITCH ASSEMBLIES



SWITCH ASSEMBLY PART NO.	CONTACT PLATE ASSEMBLY NO.	CONTACT ARM POSITION			
		1	2	3	4
157080	157891	157899		157899	157887
157088	157891		157887	157899	157887
157090	157891	157899		157887	157899
157091	157890				157899
157092	157891	157887	157899		157887
157094	157891	157887			157887
157096	157893		157887		
160195	157891		157899	157887	
160196	157891			157899	157887
160197	157891	157899	157887	157899	
160205	157892	157887			157899
160206	157892		157899		157899
160207	157892		157887		157899
160208	157892		157887	157899	157887
160209	157893			157899	

Note:
 Early design switch assemblies are no longer available. However, individual parts are available for replacement. Orders received for early design switch assemblies will be filled with corresponding new style switch assemblies shown in Figure 17.

FIGURE 18. REPLACEMENT PARTS FOR EARLY DESIGN STUNT BOX SWITCH ASSEMBLIES

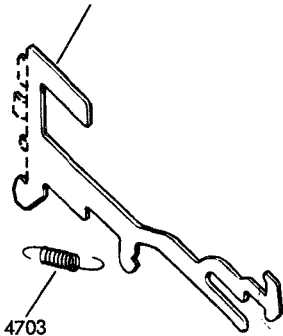


BLANK SQUARES INDICATE TINES THAT SHOULD BE REMOVED.

ADDITIONAL LEVELS AT WHICH THE FUNCTION BAR CAN BE CONTROLLED:

SUPPRESSION TINES	MARKING SPACING	NON-PRINT PRINT	} THESE TERMS APPLY ONLY TO SELECTIVE CALLING
0 TINES	MARKING SPACING	SELECT NON-SELECT	
SHIFT TINES	MARKING SPACING	UPPER CASE LOWER CASE	

CODED FUNCTION BAR
(Also see charts on pages 14, 15, 20 and 21)



152665 LTR	155117 R
152666 FIG	155121 V
152667 CR	155124 Y
152668 LF	155129 SP
152669 BL	155218 M & V
152683 H	155311 UNIVERSAL
155110 K	155313 LTR
155114 O	

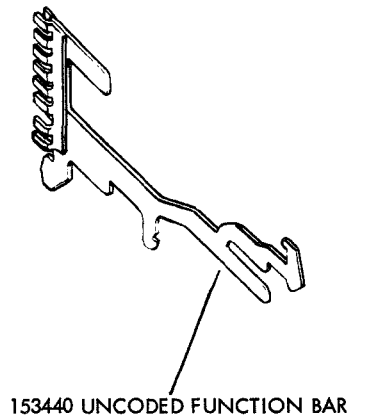


FIGURE 19. CODED AND UNCODED FUNCTION BARS

FIGURE 20. FUNCTION BAR CONDITION CHART FOR 5 LEVEL BAUDOT CODE

CONDITION OF TYPING UNIT FOR FUNCTION BAR SELECTION		NO RESTRICTIONS	UPPER CASE	LOWER CASE	SELECT	NON-SELECT	PRINT	NON-PRINT	CONDITION OF TYPING UNIT FOR FUNCTION BAR SELECTION
CHARACTER OR FUNCTION 153440 UNCODED FUNCTION BAR IS AVAILABLE FOR USE ON ANY CHARACTER OR FUNCTION BY REMOVING TINES	A	152676			155100	153409	155191		A
	B	152677	153526		155101	153410	155192		B
	C	152678	153520		155102	153411	155193		C
	D	152679	153521		155103	153412	155194		D
	E	152680	153166		155104	153413	155195		E
	F	152681	153160	155326	155105	153414	155196	155286	F
	G	152682	153162	155327	155106	153415	155197	155287	G
	H	152683	152673	155328	155107	153416	155198	155288	H
	I	152684	155249	155329	155108	153417	155199	155289	I
	J	152685	152694	155330	155109	153418	155200	155290	J
	K	152686	153529		155110	153419	155201		K
	L	152687	153522		155111	153420	155202		L
	M	152688	152674		155112	153421	155203		M
	N	152689	153523		155113	153422	155204	155294	N
	O	152690	153528		155114	153423	155205		O
	P	152691	155250	155336	155115	153424	155206	155296	P
	Q	152692	153165	155337	155116	153425	155207	155297	Q
	R	152695	153167	155338	155117	153426	155208	155298	R
	S	152696	152672	155339	155118	153427	155209	155299	S
	T	152697	153524	153169	155119	153428	155210	155300	T
	U	152698	155248	155340	155120	153429	155211		U
	V	152699	153164		155121	153430	155212		V
	W	152700	153163		155122	153431	155213		W
	X	152701	153525		155123	153432	155214		X
	Y	152702	153527		155124	153433	155215		Y
	Z	152703	153161		155125	153434	155216	155306	Z
BLANK LETTERS	152669	152693	152675	155312		155217	155307	BLANK LETTERS	
FIGURES	152665			155313		153438		FIGURES	
SPACE	152666							SPACE	
CARRIAGE-RETURN	155129			155314	152670			CARRIAGE-RETURN	
LINE FEED	152667			155128		155127		LINE FEED	
ANY CHARACTER OR FUNCTION	152668			155315		153435	155130	ANY CHARACTER OR FUNCTION	
M & N	152704	153168		155311	152671			M & N	
M & V				155132				M & V	
PULSE #1				155218				PULSE #1	
" #2						162636		" 2	
" #3						162637		" 3	
" #4						162638		" 4	
" #5						162639		" 5	
UNIV.						162640		UNIV.	
						155159	155219		
POSITION OF FUNCTION BAR TINES	SUPPRESSION LEVEL ZERO LEVEL SHIFT LEVEL		MARKING	SPACING	MARKING	SPACING	MARKING	SUPPRESSION LEVEL ZERO LEVEL SHIFT LEVEL	

FIGURE 21. FUNCTION BAR CONDITION CHART FOR 5 LEVEL BAUDOT CODE (Continued)

CONDITION OF TYPING UNIT FOR FUNCTION BAR SELECTION		PRINT NON-SELECT	PRINT UPPER CASE	PRINT SELECT	SELECT LOWER CASE	PRINT LOWER CASE	SELECT UPPER CASE	NON-SELECT LOWER CASE	CONDITION OF TYPING UNIT FOR FUNCTION BAR SELECTION
	A								A
	B								B
	C								C
	D								D
	E								E
	F		155141						F
	G		155135						G
	H		155142		155133				H
	I		155143						I
	J		155131						J
	K		155144						K
	L		155145						L
	M								M
	N								N
	O								O
	P					155176		155366	P
	Q					155177		155367	Q
	R					155178		155368	R
	S		153437			155179		155369	S
	T					155180		155370	T
	U								U
	V								V
	W								W
	X								X
	Y								Y
	Z		155134				155246		Z
							155247		
	BLANK LETTERS								BLANK LETTERS
	FIGURES								FIGURES
	SPACE								SPACE
	CARRIAGE-RETURN								CARRIAGE-RETURN
	LINE FEED								LINE FEED
	ANY CHARACTER OR FUNCTION	153436		155126					ANY CHARACTER OR FUNCTION
	M & N								M & N
	M & V								M & V
	PULSE #1								PULSE #1
	" 2								" 2
	" 3								" 3
	" 4								" 4
	" 5								" 5
	UNIV.								UNIV.
POSITION OF FUNCTION BAR TINES	SUPPRESSION LEVEL ZERO LEVEL SHIFT LEVEL	SPACING SPACING	SPACING MARKING	SPACING MARKING	MARKING SPACING	SPACING SPACING	MARKING MARKING	SPACING SPACING	SUPPRESSION LEVEL ZERO LEVEL SHIFF LEVEL

MODIFICATION KITS FOR STUNT BOX CONVERSION

Kit Number	Part Number		Quantity	Figure Number
159387	Modification Kit to Convert "ADA" Stunt Box to "ADB"			
	151739ADB	Screw, 6-40 x 3/16 Hex (Stamped ADB)	1	12
	152642	Lever	4	12
	152660	Plate, LTRS Function	4	12
	152665	Bar, FIGS Function	1	14, 15
	152666	Bar, Function (Uncoded)	1	14, 15
	153440	Bar, K Function	4	12
	155110	Bar, SP Function	1	15
159388	Modification Kit: To Convert "ADA" Stunt Box to "ADC"			
	151739ADC	Screw, 6-40 x 3/16 Hex (Stamped ADC)	1	12
	152642	Lever	2	12
	152660	Plate, Spring	2	12
	153440	Bar, Function (Uncoded)	7	12
	155114	Bar, O Function	1	15

NUMERICAL INDEX

Part Number	Description and Page Number	Part Number	Description and Page Number	Part Number	Description and Page Number
254M	Coil, Magnet 5	112509	Insulator (.031") 11	150545	Bracket, Right 2
2034	Washer, Flat 9	112626	Nut (10-32 Hex) 2, 6, 9	150546	Bracket, Left 2
2191	Washer, Lock 2, 3, 4, 5, 6, 7, 8, 9, 10, 11, 12	119648	Ring, Retaining 9	150547	Shaft 2, 12
2438	Washer, Flat 5	119649	Ring, Retaining 3, 12	150563	Spring 10
2539	Nut (3/8-32 Hex) 6, 7	119652	Ring, Retaining 6, 7, 9, 10, 11, 12	150689	Block, Guide 12
2669	Washer, Lock 2, 6, 7, 9	119653	Ring, Retaining 12	150705	Bushing 4
3598	Nut (6-40 Hex) 4, 5, 6, 7, 8, 9, 10	119654	Ring, Retaining 6	150811	Stud 2
3599	Nut (4-40 Hex) 5, 9, 12, 13	121244	Clamp, Cable (1/4" ID) 5	150923	Washer, Felt 6
3606	Nut (6-40 Hex) 12	121245	Clamp, Cable (5/16" ID) 4	150970	Bearing, Ball 8
3640	Washer, Lock 4	121247	Clamp, Cable (7/16" ID) 2	150978	Screw (6-40 x 1-1/8 Fil) 5, 10
3649	Washer, Flat 10	121473	Post 11	150990	Washer, Felt 7, 10
4703	Spring 11, 12	121538	Terminal 5	151103	Spring 9
5740	Screw (2-56 x 1/4 Fil) 12	125011	Washer, Flat 4, 7, 9, 13	151152	Screw (4-40 x 3/16 Hex) 3, 10
6800	Screw, Shoulder (6-40) 6	125015	Washer, Flat 2, 5	151222	Washer, Felt 10, 12
7002	Washer, Flat 4, 6, 8, 9, 10, 11	125802	Washer, Flat 2	151336	Oiler 9
8330	Washer, Flat 6, 9, 10	150000	Drum, Clutch 8	151346	Screw (6-40 x 3/8 Fil) 11
8449	Spacer (.094") 6	150001	Drum, Clutch 8	151603	Spacer 5
31636	Spring 3	150004	Cam, Code Bar Clutch 8	151606	Screw (10-32 x 1/4 Hex) 6
41382	Spring 9	150013	Disk, Adjusting 8	151618	Screw (6-40 x 7/16 Fil) 3
41732	Plate, Clamp 11	150026	Lever, Shoe Release 8	151626	Terminal 12
41733	Insulator (.062") 11	150029	Wick, Felt 8	151627	Rod 7
42823	Washer, Flat 8	150040	Screw (6-40 x 5/8 Fil) 6, 8	151629	Nut (6-40 Lug) 6, 10
42827	Screw (3-48 x 1/4 Fil) 3	150043	Shoe, Secondary Clutch 8	151630	Screw (6-40 x 1/4 Hex) 2, 3, 4, 5, 6, 8, 9, 10
70388	Spring 6	150044	Shoe, Primary Clutch 8	151631	Screw (6-40 x 5/16 Hex) 4, 5, 10
72522	Wick, Felt 12	150047	Bearing, Code Bar Clutch 8	151632	Screw (6-40 x 3/8 Hex) 4
73175	Washer, Lock 6, 7	150048	Spring 9	151637	Screw (4-40 x 1/4 Fil) 3, 5, 11, 12, 13
74283	Washer, Spring 9	150050	Spacer, Clutch 8	151640	Lever, Shoe Release 8
74547	Collar 6	150051	Cam, Eccentric 8	151642	Screw (6-40 x 3/4 Fil) 8
74701	Spring 6	150055	Stud 10	151657	Screw (6-40 x 1/4 Fil) 2, 3, 7, 9, 10, 12
74712	Spring 2	150056	Arm 8	151658	Screw (6-40 x 5/16 Fil) 2, 5, 6, 10
74716	Bushing 11	150089	Screw (4-40 x 1/2 Fil) 5	151660	Screw (6-40 x 7/8 Fil) 8
74727	Terminal, Contact 11	150241	Spring 8	151668	Roller 10
74785	Roller 6	150288	Bracket 3	151685	Screw (4-40 x 5/16 Fil) 7
74964	Spring, Contact 11	150289	Stud 3	151686	Screw (4-40 x 3/8 Fil) 5
76081	Washer, Flat 5	150293	Plate, Retaining 3	151687	Screw (4-40 x 7/16 Fil) 13
76099	Washer, Flat 5	150298	Bushing 13	151688	Screw (4-40 x 5/8 Fil) 5, 8
78533	Spring 9	150301	Plate, Retaining 3	151689	Screw (4-40 x 3/4 Fil) 8, 11, 16, 18
79012	Insulator 5	150302	Shim (.006") 3	151690	Screw (10-32 x 5/16 Fil) 8
81778	Screw (4-40 x 3/16 Fil) 5	150304	Bracket, Guide 3	151691	Screw (10-32 x 3/8 Fil) 6
82547	Insulator (.094") 11	150348	Shaft 6	151692	Screw (6-40 x 3/16 Fil) 2, 6, 7, 12
84892	Stiffener 11	150349	Arm, Follower 6	151693	Screw (6-40 x 9/16 Fil) 8
86835	Spring 5	150350	Shaft 6	151701	Spring, Torsion 9
89096	Washer, Felt 8	150352	Bushing 6	151702	Nut (4-40 Hex) 12
90504	Washer, Felt 12	150355	Lever, Latch 6	151714	Spring 9
90517	Spring 12	150356	Lever, Trip 6	151715	Spring 5
90790	Washer, Flat 11	150361	Spacer (.277") 6	151721	Screw (6-40 x 3/4 Hex) 10
90819	Washer, Felt 7	150398	Stud, Pivot 7	151722	Screw (6-40 x 3/16 Hex) 3, 4, 5, 11
92682	Nut (4-40 Spl) 10	150414	Bushing 7	151728	Spring 8
93356	Washer, Felt 6, 7	150419	Shaft 7	151737	Screw (4-40 x 11/64 Hex) 8
93507	Screw (4-40 x 3/4 Hex) 12	150423	Stud, Pivot 7	*151739	Screw, Identification (6-40) 12, 22
93758	Washer, Felt 3, 6	150438	Bellcrank 6	151880	Nut (4-40 Hex) 7
95827	Bushing 6	150441	Gear (21T) 8	152089	Latch 12, 14, 15
96717	Screw, Shoulder (4-40) 9	150444	Lever, Trip Shaft 6	152121	Lever, Function 12, 14, 15
97481	Wick, Felt 7	150447	Arm 10	152255	Bar w/Retainer 3
103863	Spacer (.055") 13	150450	Arm 10	152256	Bar, Code 3
104824	Spring 5	150452	Bearing 10	152257	Spring 3
105940	Stiffener 11	150453	Shaft 10	152298	Lever, Function 12, 14, 15
107116	Washer, Lock 5	150471	Stud 10	152299	Lever, Function 12, 14
108199	Wick, Felt 2, 6	150479	Stud 9	152357	Stud 12
110434	Screw (4-40 x 3/16 Fil) 2, 3, 7, 9	150481	Shaft 10	152400	Plate, Selector Mounting 9
110435	Nut (4-40 Hex) 10	150482	Plate 10	152401	Guide 9
110436	Spring 6	150507	Spring 10		
110743	Washer, Lock 2, 3, 5, 7, 8, 9, 11, 12, 13, 16, 18	150535	Spring, Compression 3		
		150537	Ball, Bearing 3		
		150543	Screw (3-48 x 13/32 Fil) 12		
		150544	Handle 12		

* See page 12 for explanation

NUMERICAL INDEX (Continued)

Part Number	Description and Page Number	Part Number	Description and Page Number	Part Number	Description and Page Number
152402	Guide, Selector Lever 9	152666	Bar, Function 14, 15, 19, 20, 22	153584	Lever, Latch 6
152403	Bracket, Guide 9	152667	Bar, Function 14, 15, 20	153586	Guide 2
152404	Bracket, Spring 9	152668	Bar, Function 14, 15, 19, 20	153587	Guide 2
152406	Bracket, Spring 9	152669	Bar, Function 14, 15, 19, 20	153600	Bracket, Spring 3
152407	Lever, Spacing Lock 9	152670	Bar, Function 20	153603	Nut (6-40 Spl) 3
152409	Lever, Selector 9	152671	Bar, Function 15	153605	Bracket 3
152410	Bail, Reset 9	152672	thru	153608	Fork 13
152411	Lever, Push 9	152682	Bar, Function 20	153609	Roller 13
152412	Link 9	152683	Bar, Function 14, 15, 19, 20	153644	Stud 13
152415	Stud, Adjusting 5	152684	thru	153645	Plate, Guide 13
152420	Lamination, Magnet 5	152704	Bar, Function 20	153646	Bushing 13
152421	Bracket, Shield Mounting 5	152726	Bushing 6	153647	Plate 13
152423	Bracket, Armature Stop Mounting 5	152733	Block, Contact 17	153795	Slide 13
152425	Post, Spring 5	152734	Arm, Contact 17	153806	Spring 2, 6
152426	Nut, Self-Locking (6-40) 5	152735	Terminal, Contact 17	153819	Washer, Lock 3
152427	Latch w/Hub 9	152736	Spring 17	153823	Collar 8
152429	Rack, Sector 9	152738	Arm, Contact 17	153824	Clamp 8
152432	Arm, Stop 9	152887	Screw (4-40 x 1/2 Hex) 8	154362	Spring, Contact 11
152436	Knob, Range Scale 9	152889	Plate, Retaining 12	154380	Bracket w/Post 3
152438	Bail, Stop Arm 9	152891	Spring 9	154613	Latch 12, 14, 15
152441	Washer, Flat 9, 12	152893	Screw (4-40 x 1/4 Hex) 2, 4, 9	154620	Wick, Leather 9
152445	Spring, Compression 9	153160	thru	154621	Retainer, Wick 9
152447	Shaft 8	153169	Bar, Function 20	154622	Lubricator 9
152450	Cam, Selector 8	153184	Post 5	154646	Lever, Function 12, 14
152456	Holder, Wick 10	153291	Arm 12	154647	Lever, Function 12, 14, 15
152457	Wick, Felt 10	153292	Plate 8	154688	Spring 7
152458	Shield, Terminal 5	153293	Spacer, Clutch 8	154694	Disk, Clutch Cam 8
152461	Bracket 5	153294	Cam 12	154872	Bracket 5
152462	Latch, Right 5	153295	Shaft 12	154990	Box Assembly, Stunt (ADA) 14
152463	Latch, Left 5	153296	Eccentric 8	154991	Box Assembly, Stunt (ADC) 14
152464	Insulator (.062") 5	153298	Bracket, Right 12	154992	Box Assembly, Stunt (ADB) 14
152467	Connector, Plug (20 Pt) 5	153299	Bracket, Left 12	154993	Box Assembly, Stunt (ADD) 14
152537	Clamp 8	153300	Arm 8	154994	Box Assembly, Stunt (ADH) 15
152538	Plate, Front 6	153301	Arm 12	155044	Spacer 8
152546	Bracket 10	153315	Bracket 3	155047	Disk 8
152547	Shaft 12	153317	Bracket 2	155073	Shaft 12
152548	Bar, Shift 3	153319	Bar, Code 3	155076	Shaft 12
152551	Bar, Code 3	153321	Bracket, Tie 3	155090	Lubricator Assembly 9
152552	Bar, Code 3	153322	Guide 12	155096	Plate, Range Finder Mounting 8
152572	Bracket 3	153323	Ring, Spacer 8	155099	Screw, Shoulder (6-40) 12
152573	Retainer 8	153409	thru	155100	thru
152574	Plate 3	153435	Bar, Function 20	155109	Bar, Function 20
152575	Bracket 3	153436	Bar, Function 21	155110	Bar, Function 14, 19, 20, 22
152576	Bracket 3	153437	Bar, Function 21	155111	Bar, Function 20
152580	Frame, Right Side 2	153440	Bar, Function 22	155112	Bar, Function 15, 20
152581	Frame, Left Side 2	153442	Screw (10-32 x 1/2 Hex) 7	155113	Bar, Function 20
152583	Bearing, Sleeve 10	153489	Detent 9	155114	Bar, Function 14, 19, 20, 22
152584	Lever 10	153520	thru	155115	Bar, Function 20
152585	Lever 10	153529	Bar, Function 20	155116	Bar, Function 20
152593	Housing, Bearing 2	153534	Armature 5	155117	Bar, Function 14, 15, 19, 20
152635	Lever, Transfer (#1) 10	153550	Link 7	155118	Bar, Function 20
152636	Lever, Transfer (#2) 10	153553	Roller 7	155119	Bar, Function 20
152637	Lever, Transfer (#3) 10	153554	Bracket w/Stud 7	155120	Bar, Function 20
152638	Lever, Transfer (#4) 10	153558	Link 7	155121	Bar, Function 14, 15, 19, 20
152639	Lever, Transfer (#5) 10	153560	Shaft 7	155122	Bar, Function 20
152640	Lever, Transfer (#C) 10	153566	Bracket 3	155123	Bar, Function 20
152641	Lever, Function 12, 15	153573	Bail 7	155124	Bar, Function 14, 15, 19, 20
152642	Lever, Function 12, 14, 15, 22, 29	153576	Cam, Function 8	155125	Bar, Function 20
152643	Guide 6	153579	Bracket, Spring 7	155126	Bar, Function 21
152651	Plate, Guide 12	153580	Cam 7	155127	Bar, Function 20
152652	Bar, Guide 12	153581	Handle 12	155128	Bar, Function 20
152653	Pawl, Function 12	153583	Lever, Trip 6	155129	Bar, Function 14, 19, 20, 22
152660	Plate, Spring 12, 14, 15, 22			155130	Bar, Function 20
152662	Shaft 10			155131	Bar, Function 21
152663	Guide 10			155132	Bar, Function 20
152665	Bar, Function 14, 15, 19, 20, 29			155133	Bar, Function 21

NUMERICAL INDEX (Continued)

Part Number	Description and Page Number	Part Number	Description and Page Number	Part Number	Description and Page Number
155134	Bar, Function 21	157090	Switch Assembly 18	165931	Bracket 5
155135	Bar, Function 21	157091	Switch Assembly 18	170066	Bar, Code 3
155141	thru	157092	Switch Assembly 18	170067	Washer, Spacing 8
155145	Bar, Function 21	157094	Switch Assembly 18	170123	Bracket, Retaining 10
155159	Bar, Function 20	157096	Switch Assembly 18	172502	Switch Assembly 16
155176	thru	157194	Retainer, Spring 5	172510	Switch Assembly 16, 17
155180	Bar, Function 21	157205	Lever, Function 12, 14	172518	Switch Assembly 16, 17
155191	thru	157206	Lever, Function 12, 14	172521	Switch Assembly 16
155217	Bar, Function 20	157207	Lever, Function 12, 14	172522	Switch Assembly 16, 17
155218	Bar, Function 14, 15, 19, 20	157208	Plate, Bottom 13	172524	Switch Assembly 16
155246	Bar, Function 21	157209	Plate 6	172526	Switch Assembly 16, 17
155247	Bar, Function 21	157210	Plate 13	172527	Switch Assembly 16
155248	Bar, Function 20	157211	Slide 13	172529	Switch Assembly 16
155249	Bar, Function 20	157213	Bracket, Guide 12	172529	Switch Assembly 16
155250	Bar, Function 20	157214	Pin, Plunger 12	172534	Switch Assembly 16
155286	thru	157237	Shield, Terminal 5	172535	Switch Assembly 16
155290	Bar, Function 20	157240	Spring 12	172536	Switch Assembly 16
155294	Bar, Function 20	157241	Bracket, Roller 7	172544	Switch Assembly 16
155296	Bar, Code 20	157261	Shaft, Stop Arm 9	172545	Switch Assembly 16
155297	Bar, Code 20	157267	Collar 8	172549	Switch Assembly 16
155298	Bar, Code 20	157268	Blade, Bail 12	172550	Switch Assembly 16
155300	Bar, Code 20	157269	Cable 12	172553	Switch Assembly 16
155306	Bar, Code 20	157270	Cable w/Terminal 12	172573	Switch Assembly 16
155311	Bar, Code 14, 15, 19, 20	157271	Bracket 5	172574	Switch Assembly 16
155312	Bar, Code 20	157272	Insulator (.062") 5	172577	Switch Assembly 16
155313	Bar, Code 14, 15, 19, 20	157273	Connector, Plug (35 Pt) 12	172579	Switch Assembly 16
155314	Bar, Code 20	157274	Clip 12	172581	Switch Assembly 16
155315	Bar, Code 20	157884	Block, Contact 18	172587	Switch Assembly 16
155326	thru	157887	Arm, Contact (NO) 16, 18	172591	Spring, Contact Arm 16
155330	Bar, Function 20	157889	Spring, Contact 18	172593	Plate, Contact 16
155336	thru	157890	Plate, Contact 18	172594	Plate, Contact 16
155340	Bar, Function 20	157891	Plate, Contact 18	172595	Plate, Contact 16
155366	thru	157892	Plate, Contact 18	172596	Plate, Contact 16
155370	Bar, Code 21	157893	Plate, Contact 18	172597	Block, Contact 16
155586	Bracket 10	157899	Arm, Contact (NC) 16, 18	172599	Block, Contact 16
155587	Link w/Stud 10	157990	Bracket w/Bearing 2	172603	Switch Assembly 16
155589	Plate w/Stud 10	157991	Stud 2	172618	Plate, Contact 16
155754	Sleeve, Insulating (1/16 ID x 1/2" Lg) 4	158365	Blade, Reset 7	172619	Plate, Contact 16
155864	Shaft, Cam 7	159341	Bearing, Ball 8	173151	Box Assembly, Stunt (ADG) 14
155865	Stud 7	160184	Plate, Stop 5	173153	Cable Assembly 12
155916	Plate, Contact 18	160186	Bushing, Shoulder 5	173154	Cable Assembly 12
155933	Plate, Guide 13	160195	Switch Assembly 18	173882	Stud 4
155934	Plate 13	160196	Switch Assembly 18	173883	Bracket, Mounting 4
155935	Fork w/Post 13	160197	Switch Assembly 18	173884	Plate, Mounting 4
155938	Slide 13	160205	thru	173886	Bracket, Mounting 4
155939	Slide 13	160209	Switch Assembly 18	173887	Post, Pivot 4
155946	Slide 13	161110	Slide, Indicator 13	173889	Post, Spring 4
156536	Screw (4-40 x 1/8 Fil) 9	161342	Lever, Start 9	173890	Pin, Stop 4
156880	Jumper (2-3/8" Black) 5	161347	Washer, Felt 7	173891	Bellcrank 4
157048	Lever 3	162484	Lever, Function 12	173892	Spring 4
157049	Pin 3	162636	thru	173902	Spring, Compression 3
157055	Switch Assembly 17	162640	Bar, Function 20	173903	Bracket 4
157058	Switch Assembly 17	162729	Bar, Guide 2	178600	Cover 4
157059	Switch Assembly 17	163147	Contact Assembly 11	179146	Box Assembly, Stunt (ADL) 15
157060	Switch Assembly 17	163148	Shaft 11	179802	Cover 11
157061	Switch Assembly 17	163150	Collar 11	192518	Bar, Code (Suppression) 3
157062	Switch Assembly 17	163151	Spring, Contact 11	193564	Spring, Contact 11
157080	Switch Assembly 18	163152	Cam w/Stud 11	195251	Armature, Selector 5
157088	Switch Assembly 18	163153	Cam, Trip 11	195634	Modification Kit 5
		163157	Cam, Drive 11	199514	Box Assembly, Stunt (ADM) 15
		163158	Bracket w/Hub 11	199517	Cable Assembly 4
		163159	Lever 11	305693	Box Assembly, Stunt (ADN) 15
		163590	Gear (60T) 8	306755	Lever, Marking Lock 9
		163944	Lever, Function 12, 15		
		164386	Bracket, Magnet Mounting 5		

