

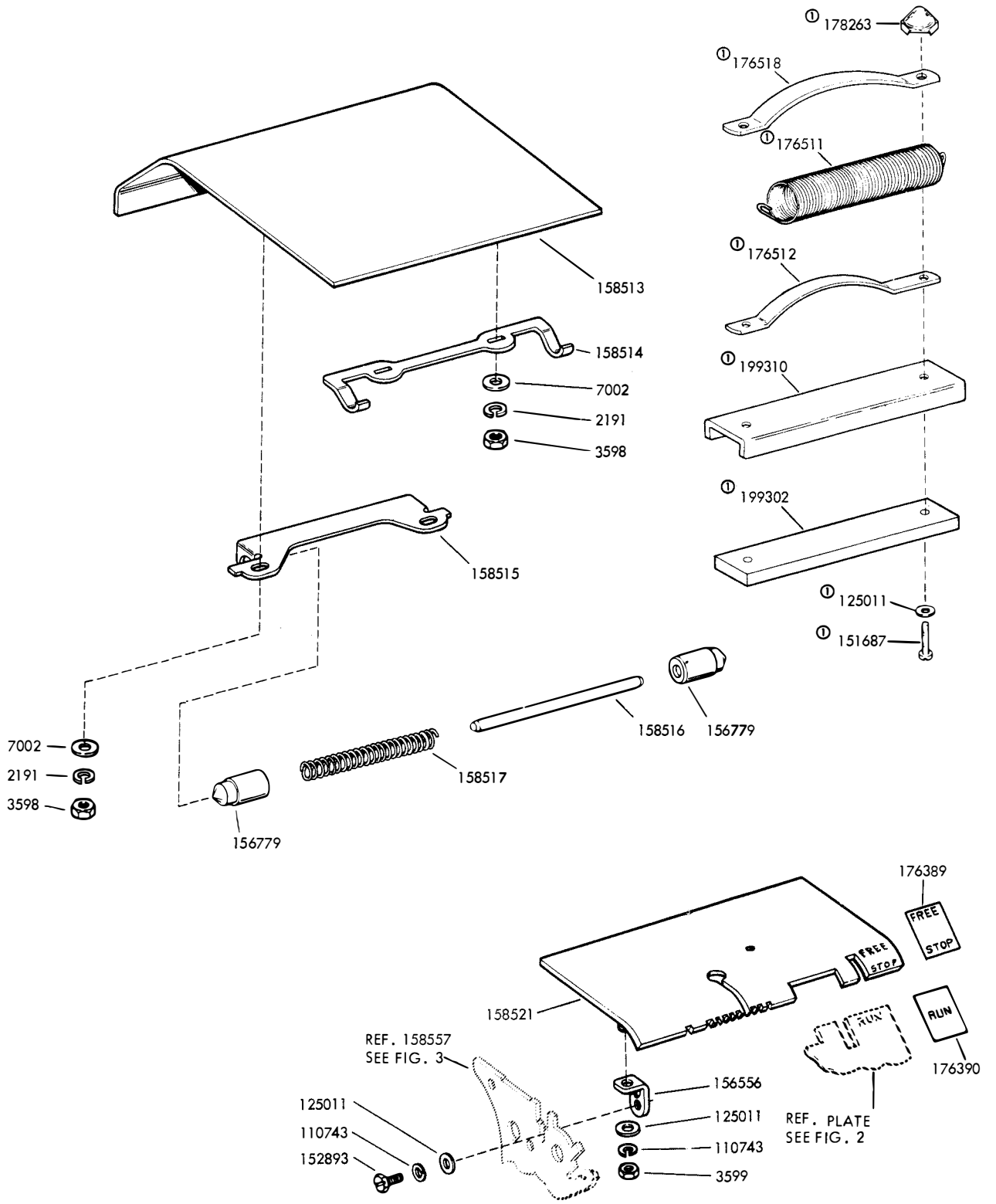
28 TWO - SHAFT TRANSMITTER DISTRIBUTOR (LBXD)

PARTS

FIGURE	CONTENTS	PAGE
1	Cover Plate and Top Plate	2
2	Top Guide Plate	3
3	Front Plate	4
4	Center Plate	5
5	Sensing Mechanism	6
6	Bails	7
7	Sensing Shaft (1 Hertz)	8
8	Distributor Shaft (1 Hertz)	9
9	Sensing and Distributor Shafts (2 Hertz)	10
10	Clutch Trip Mechanism	11
11	Switch Plate	12
12	Rear Plate	13
13	Main Casting	14
14	Distributor Block	15
15	Storing Switch and Mounting Components (5 Level)	16
16	Storing Switch Mounting Components (8 Level)	17
17	163630 Modification Kit to Provide Tape Lid Switch	18
18	162592 Modification Kit to Provide Tape Deflector	19
19	161585 Modification Kit to Provide a Dummy Unit for Multiple Mounting Bases	19
20	Modification Kits to Adapt a Transmitter Distributor for Multiple Mounting	20
	Numerical Index	21

Unit Description	Teletype Code	Bell System Code
Transmitter Distributor	LBXD5	28F
	LBXD7	28G
	LBXD 14	28G-1
	LBXD29	28G-2

Note:  
When ordering parts from this section,  
prefix each number with the letters TP.



① 199301 Tape Holder Assembly

FIGURE 1. COVER PLATE AND TOP PLATE

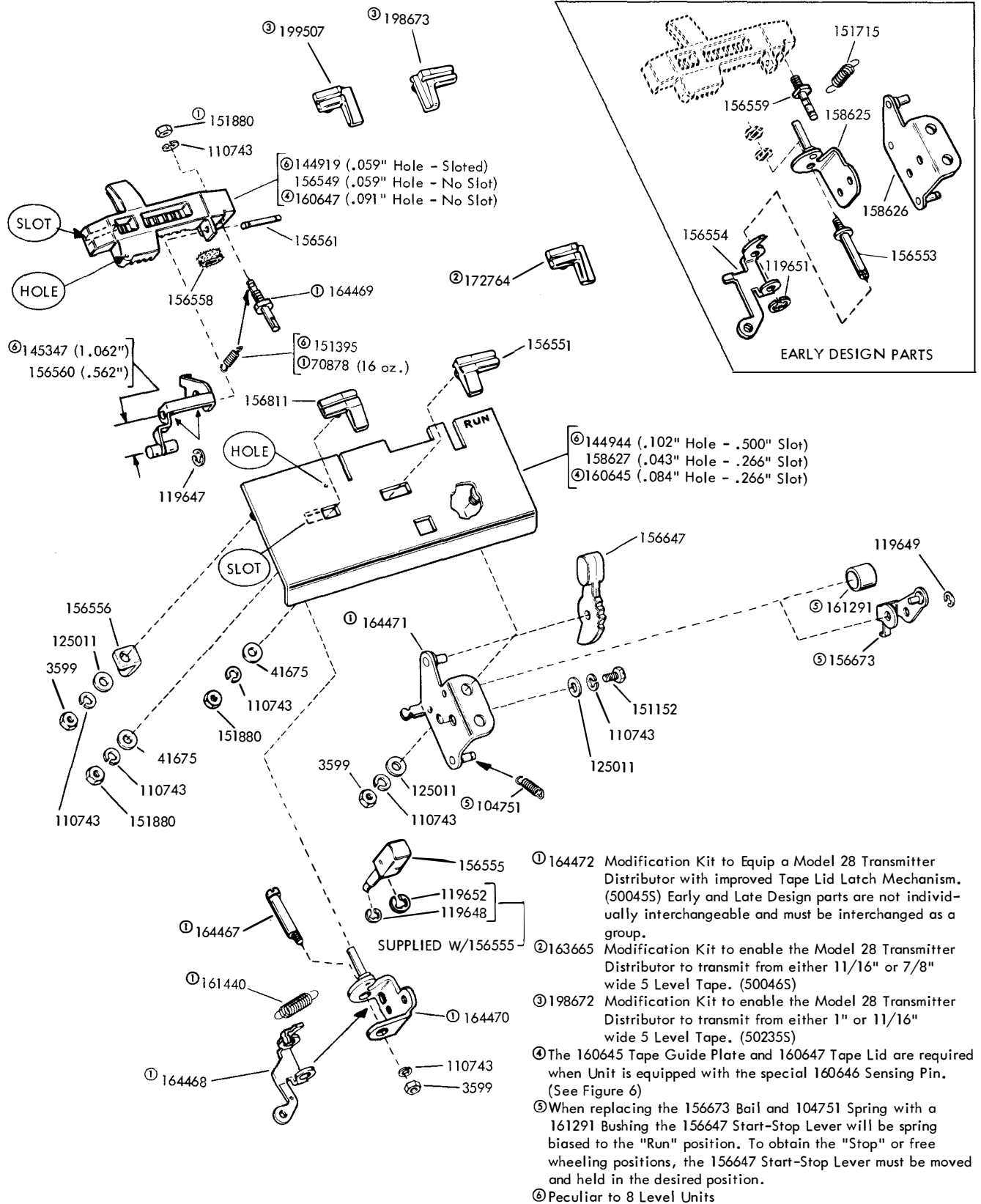
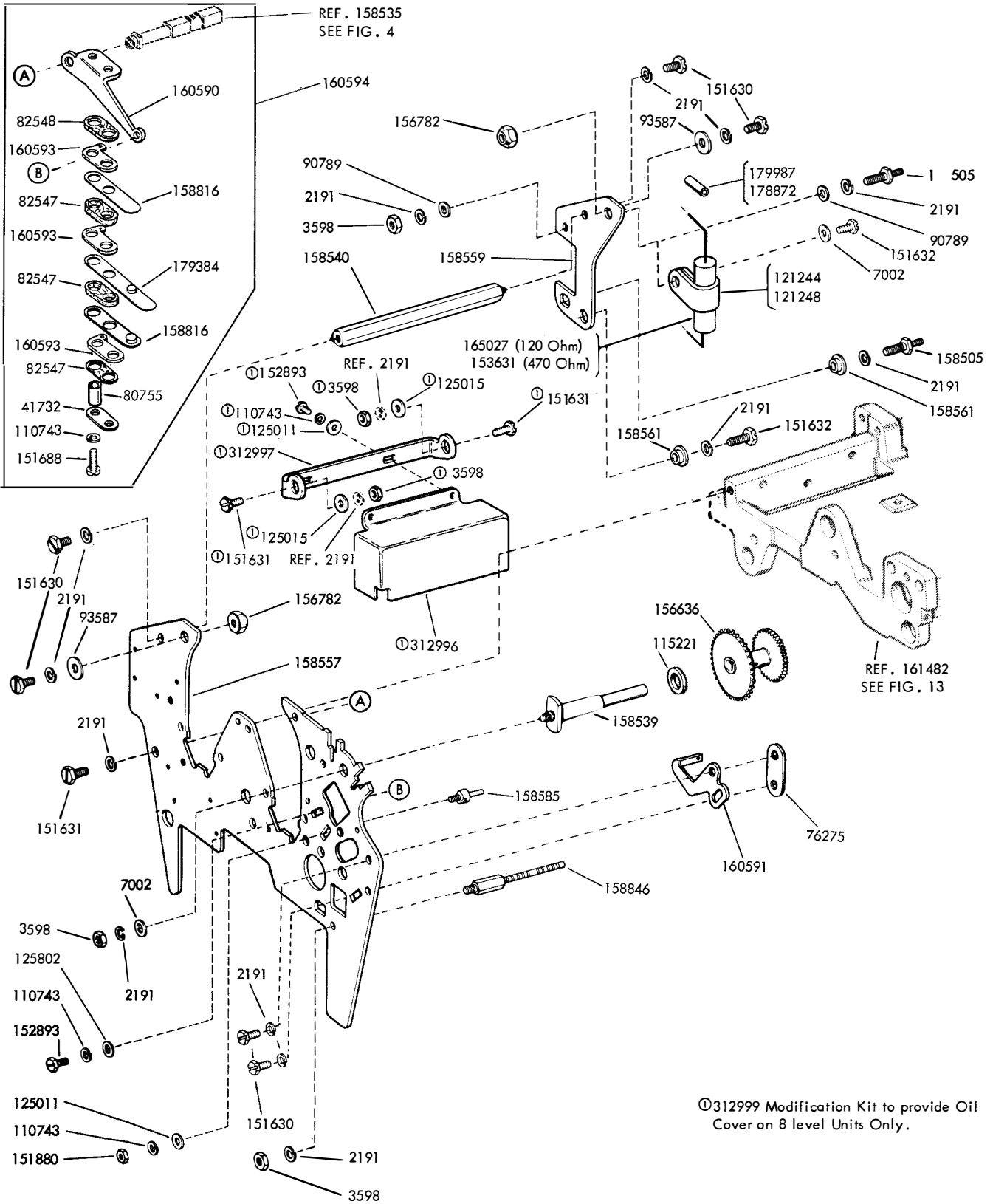


FIGURE 2. TAPE GUIDE PLATE



⓪312999 Modification Kit to provide Oil Cover on 8 level Units Only.

FIGURE 3. FRONT PLATE

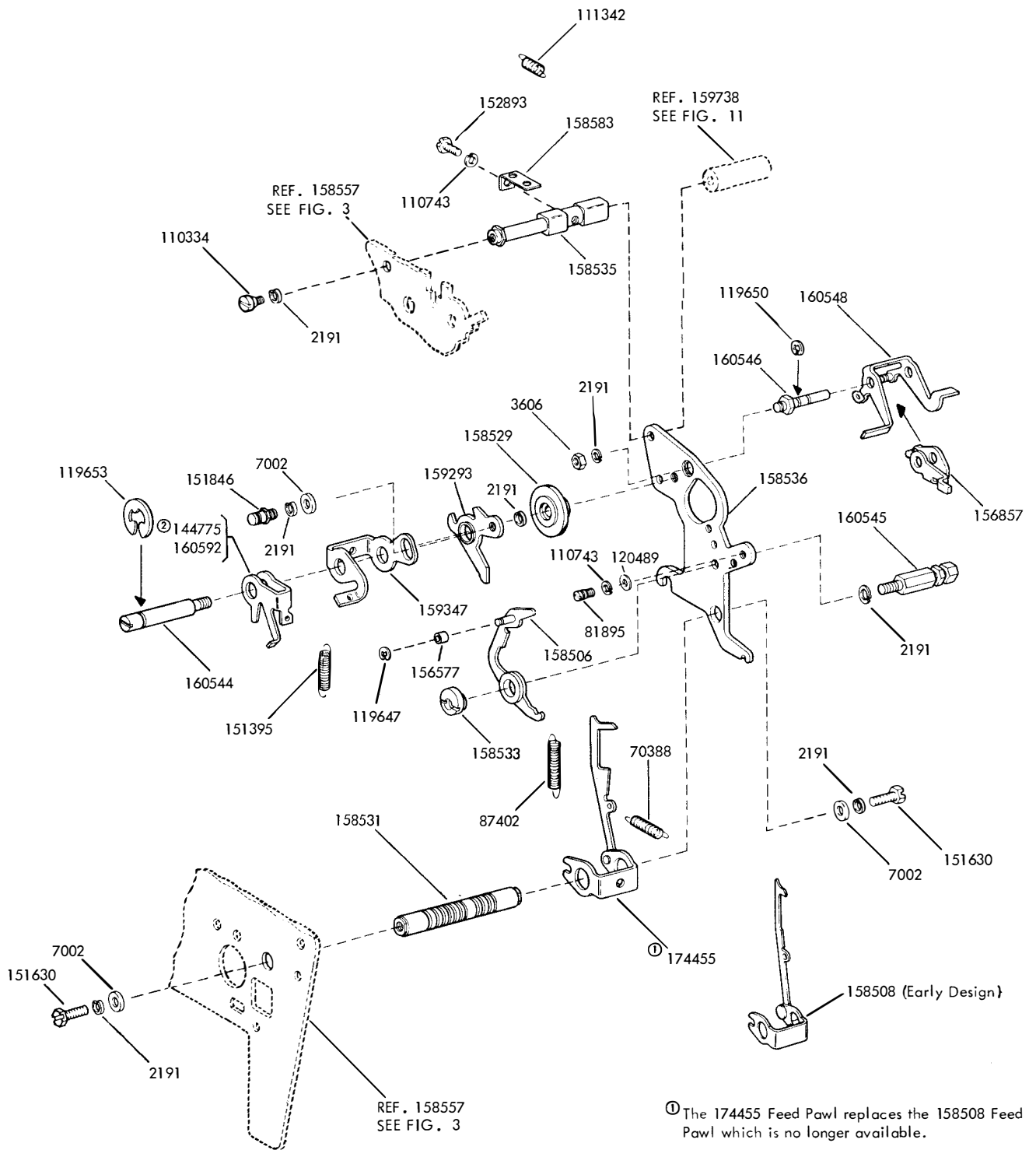
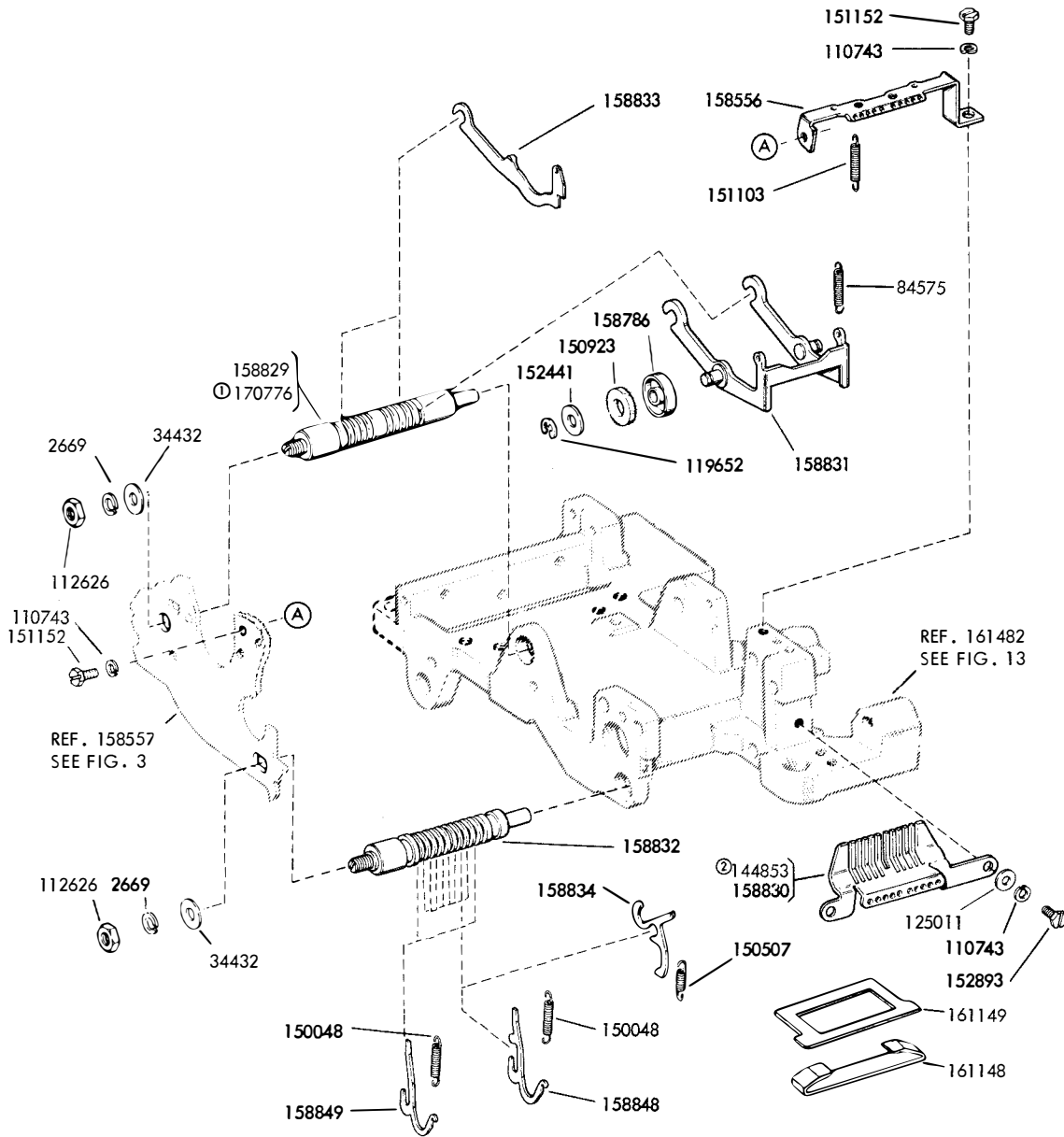
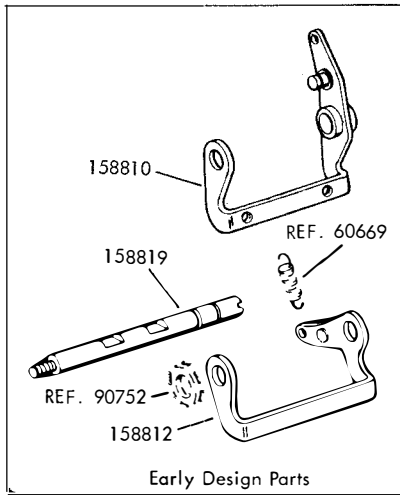


FIGURE 4. CENTER PLATE

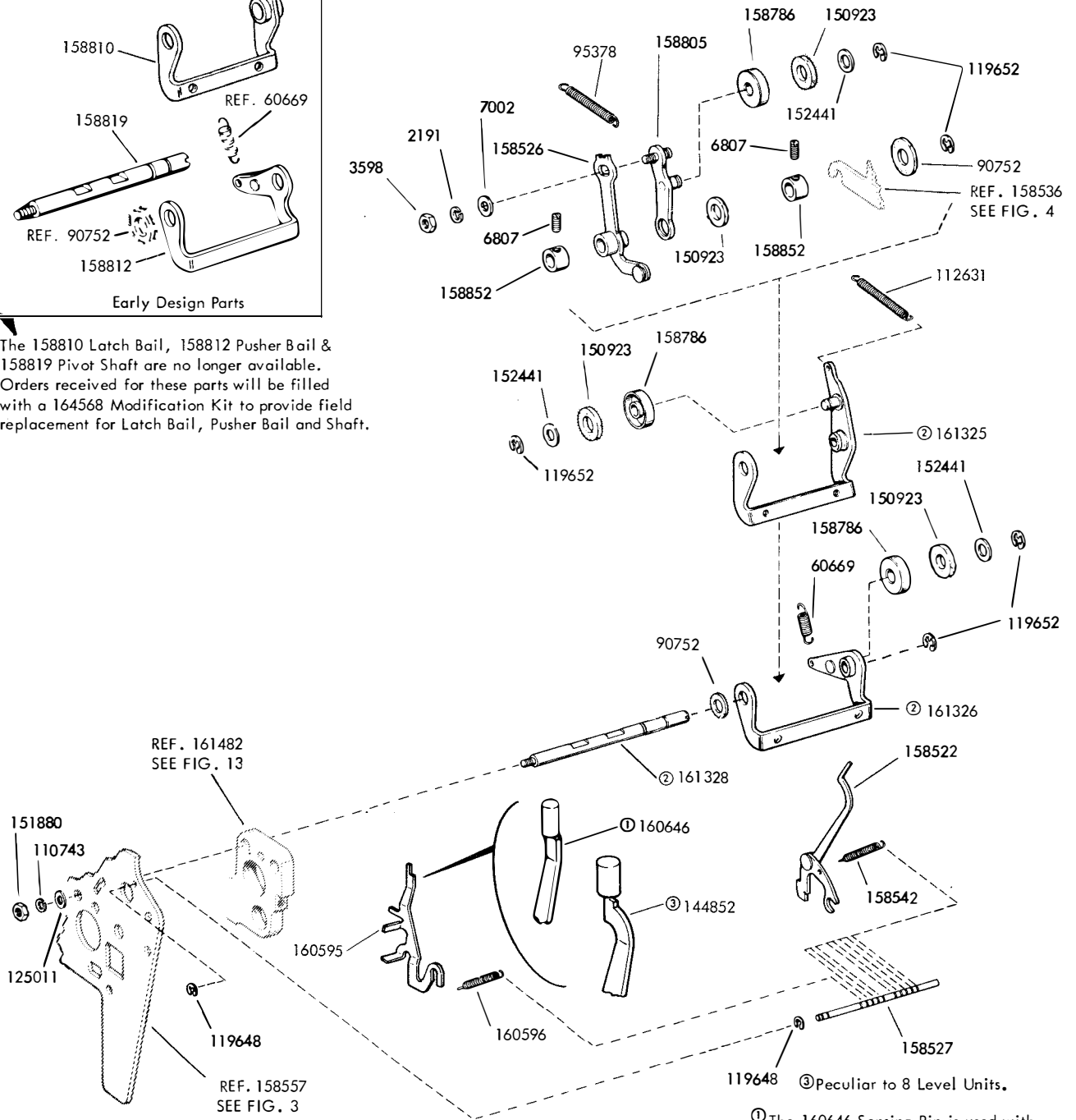


- ① The 170776 Eccentric Shaft is used on units equipped with the 170763 Cam Sleeve. (See Fig 8)
- ② Peculiar to 8 Level Units.

FIGURE 5. SENSING MECHANISM



The 158810 Latch Bail, 158812 Pusher Bail & 158819 Pivot Shaft are no longer available. Orders received for these parts will be filled with a 164568 Modification Kit to provide field replacement for Latch Bail, Pusher Bail and Shaft.



- ① The 160646 Sensing Pin is used with the 160645 Tape Guide Plate & 160647 Tape Lid. (See Fig. 2)
- ② 164568 Modification Kit to provide the field with replacements for Latch Bail, Pusher Bail and Shaft.
- ③ Peculiar to 8 Level Units.

FIGURE 6. BAILS

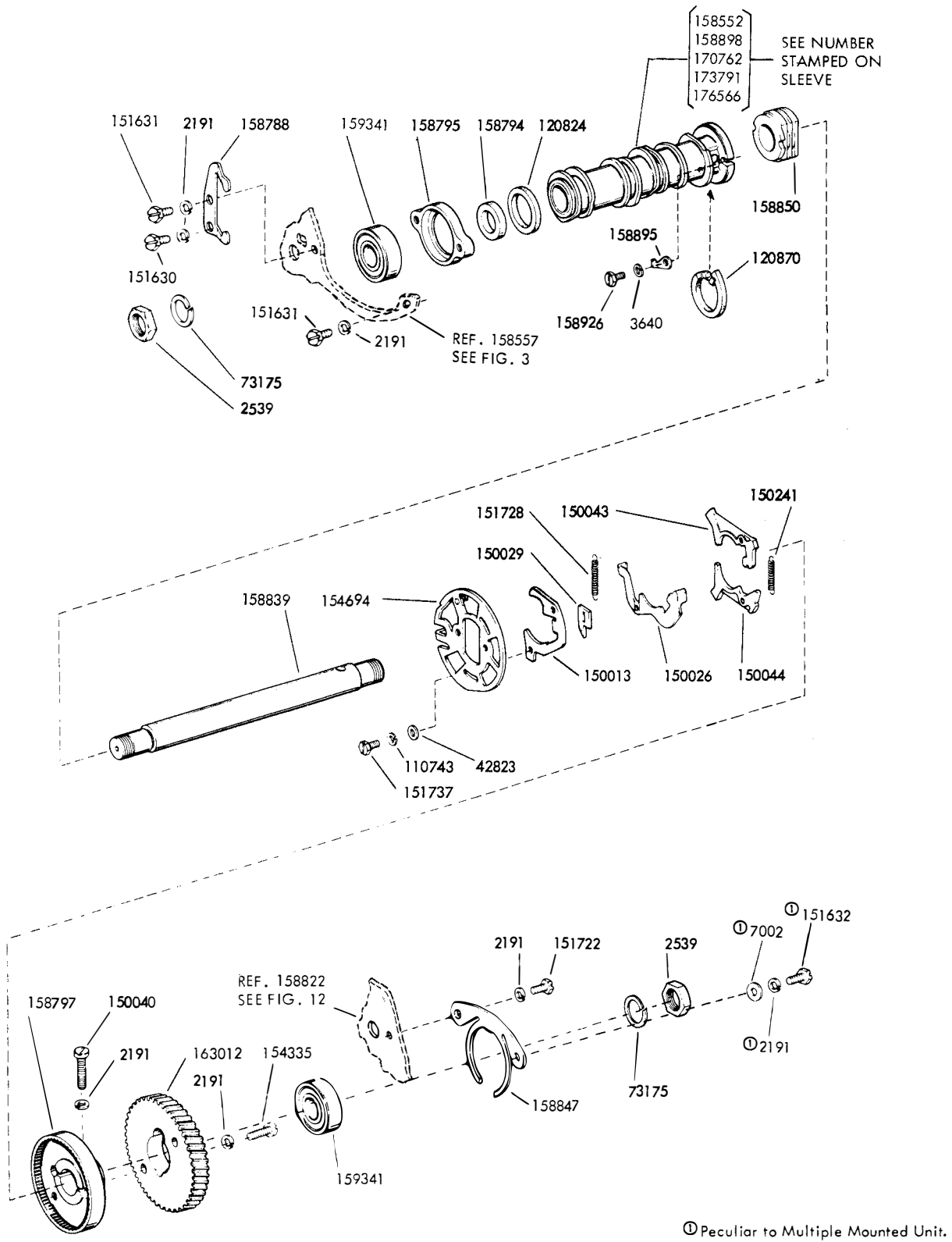


FIGURE 7. SENSING SHAFT (1 HERTZ)



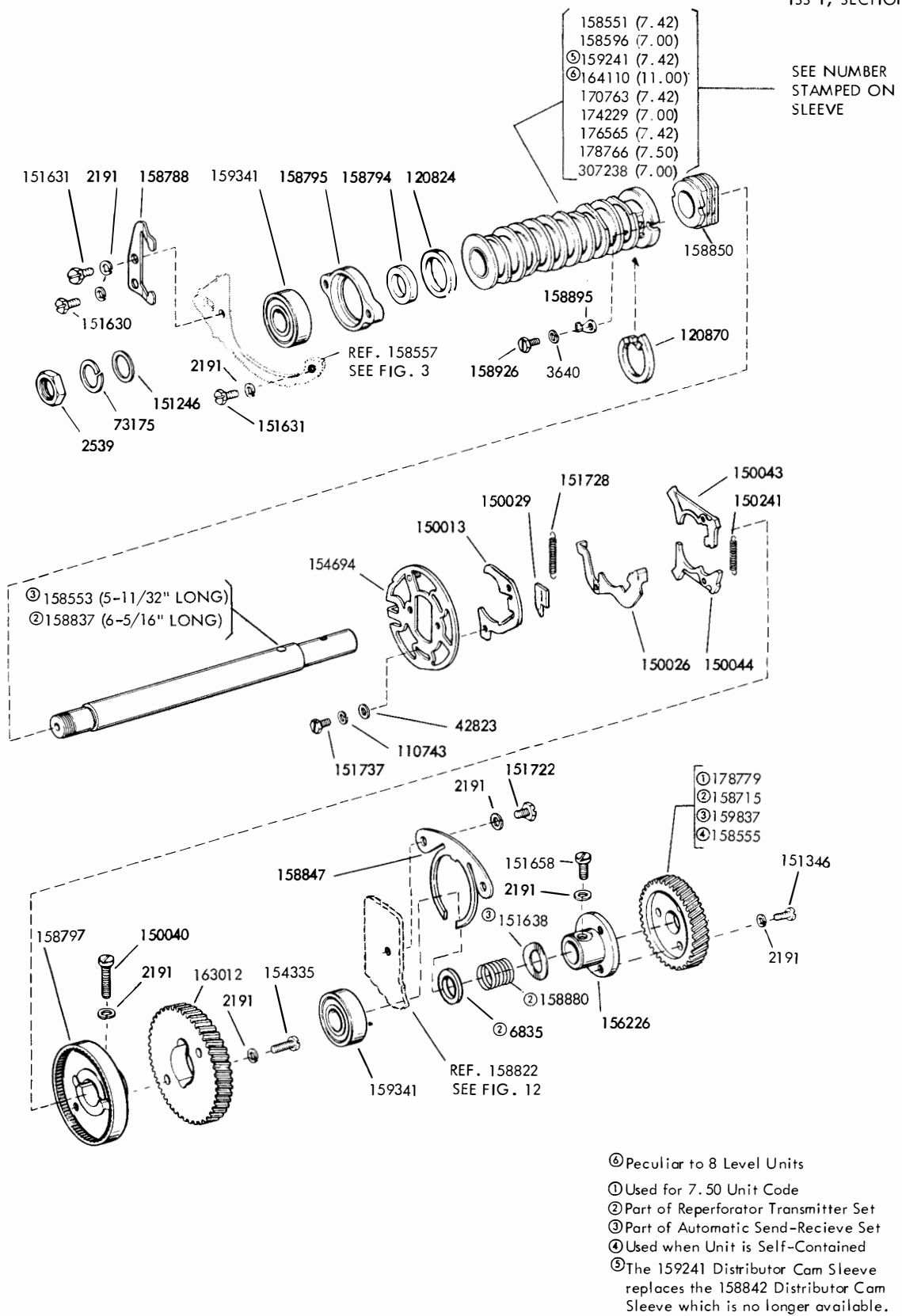


FIGURE 8. DISTRIBUTOR SHAFT (1 HERTZ)

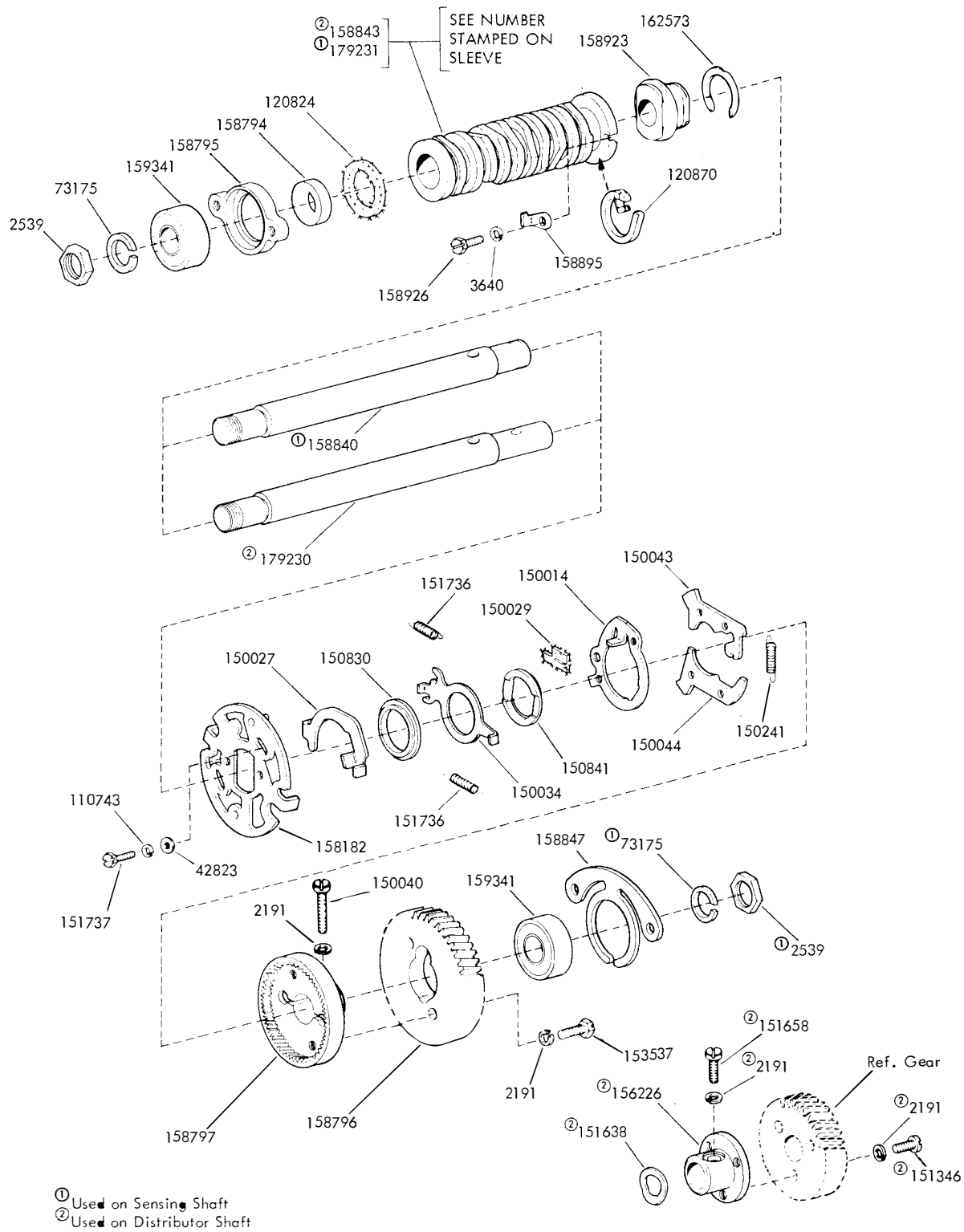
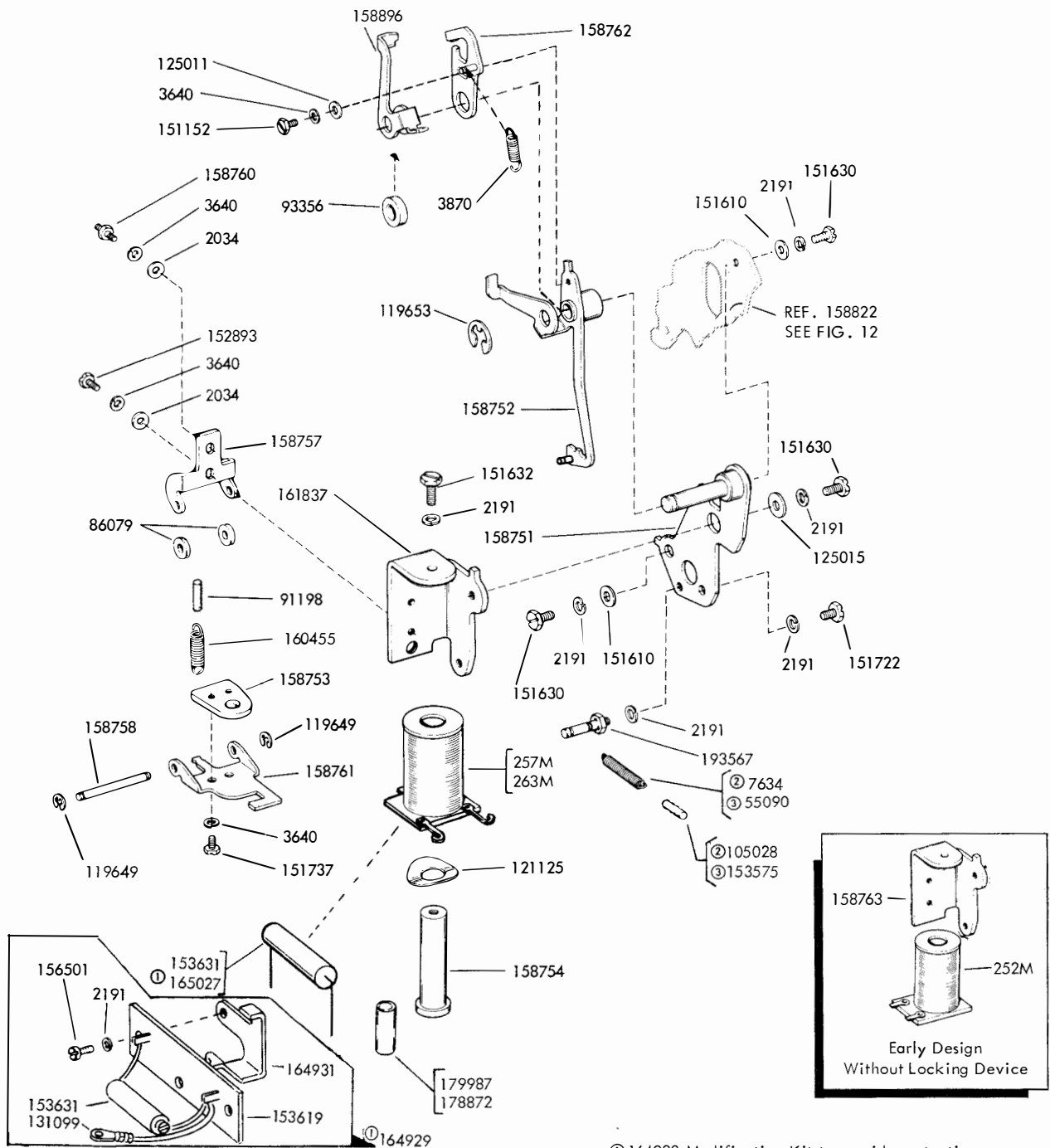


FIGURE 9. SENSING AND DISTRIBUTOR SHAFTS (2 HERTZ)



Note: These parts are peculiar to both the sensing and distributor clutch trip mechanisms.

- ① 164930 Modification Kit to provide protection for Contacts on Multi-Contact Transmitted Transmitter Distributor Units (59855)
- ② Used on 1 Hertz Units
- ③ Used on 2 Hertz Units

FIGURE 10. CLUTCH TRIP MECHANISM

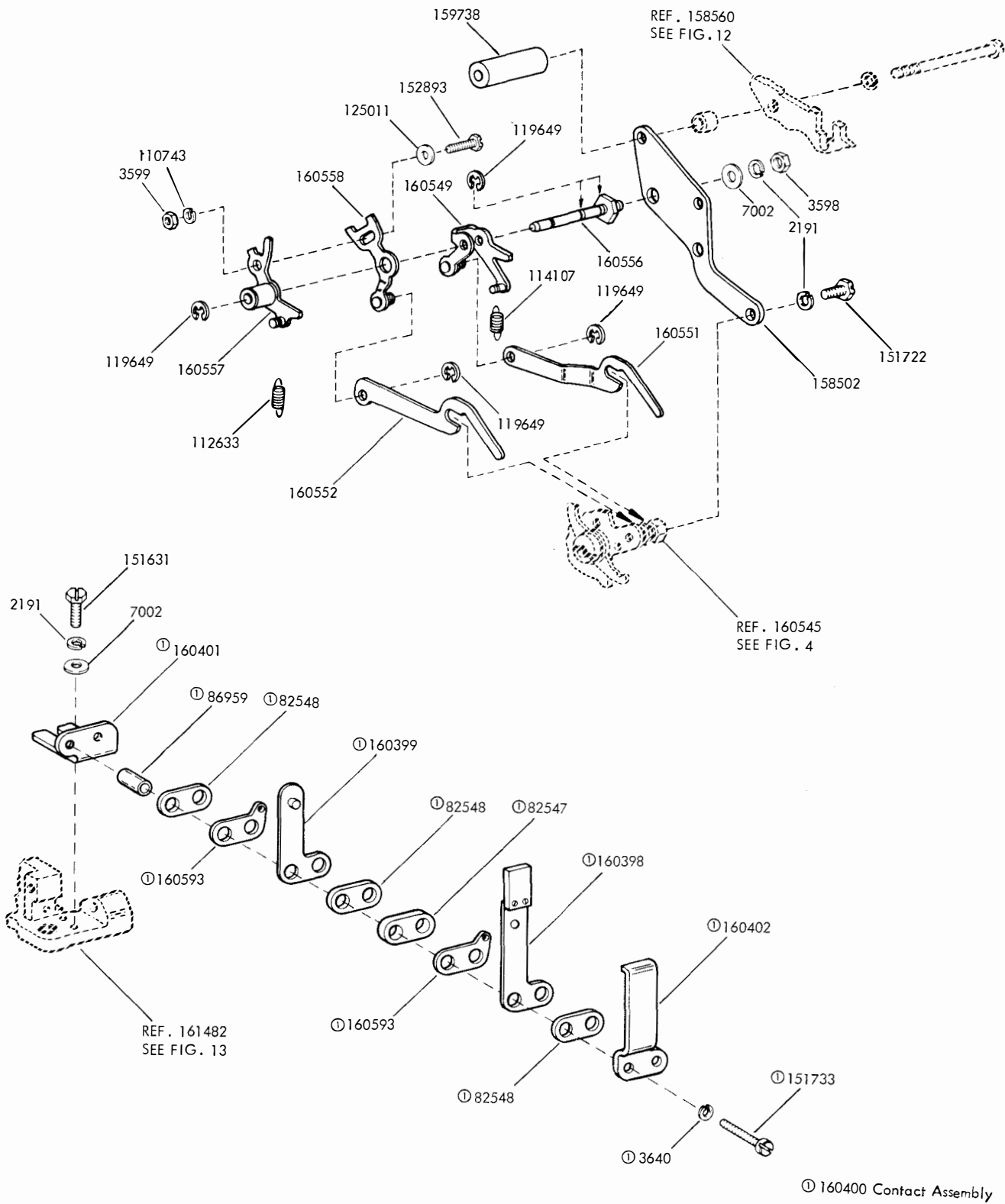


FIGURE 11. SWITCH PLATE

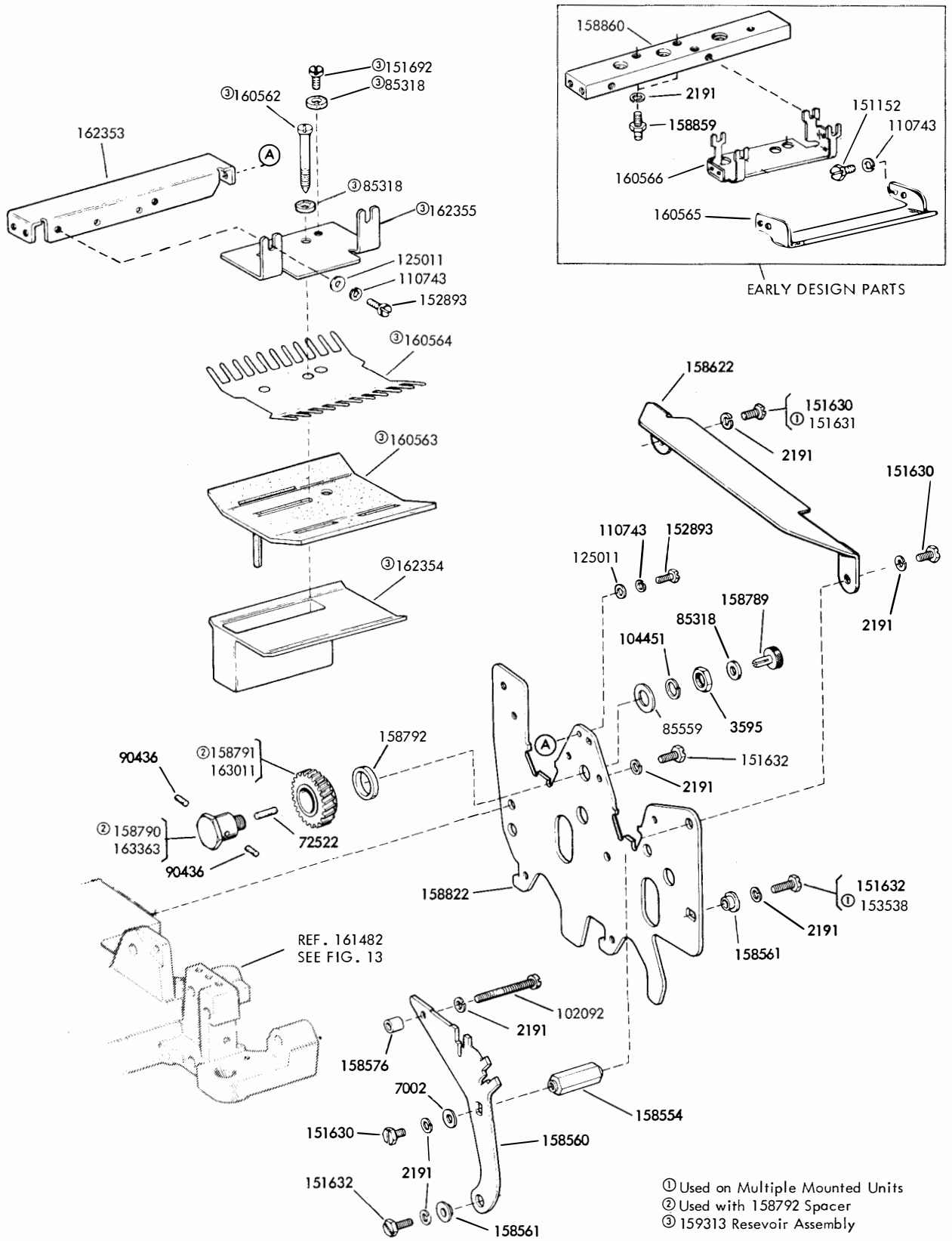
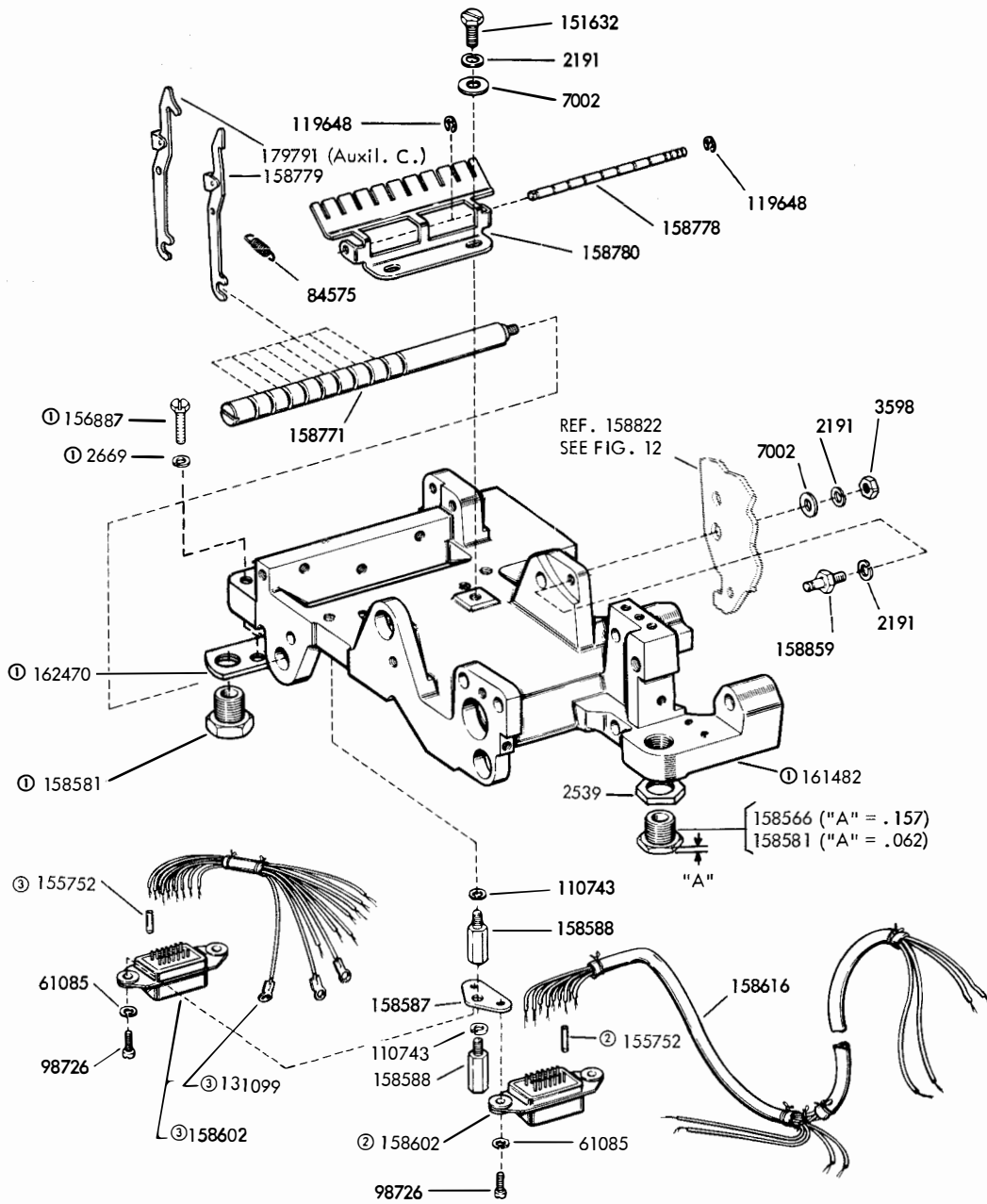
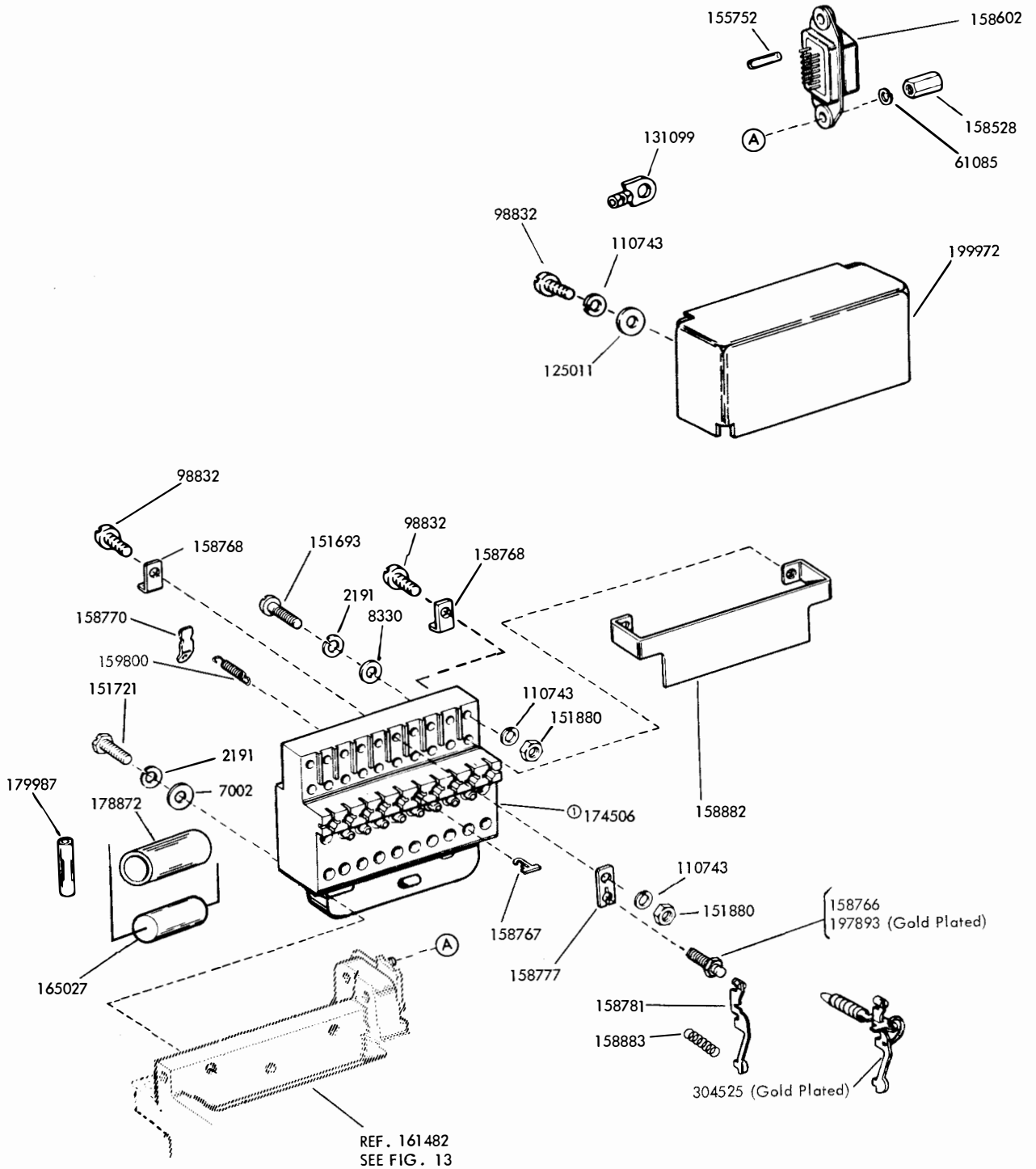


FIGURE 12. REAR PLATE



- ① Part of 178171 Modification Kit, to replace old style base casting, also see fig. 14.
- ② 158616 Cable Assembly
- ③ 158617 Cable Assembly

FIGURE 13. MAIN CASTING



① Part of 178171 Modification Kit, to replace old style base casting, also see fig. 13.

FIGURE 14. DISTRIBUTOR BLOCK

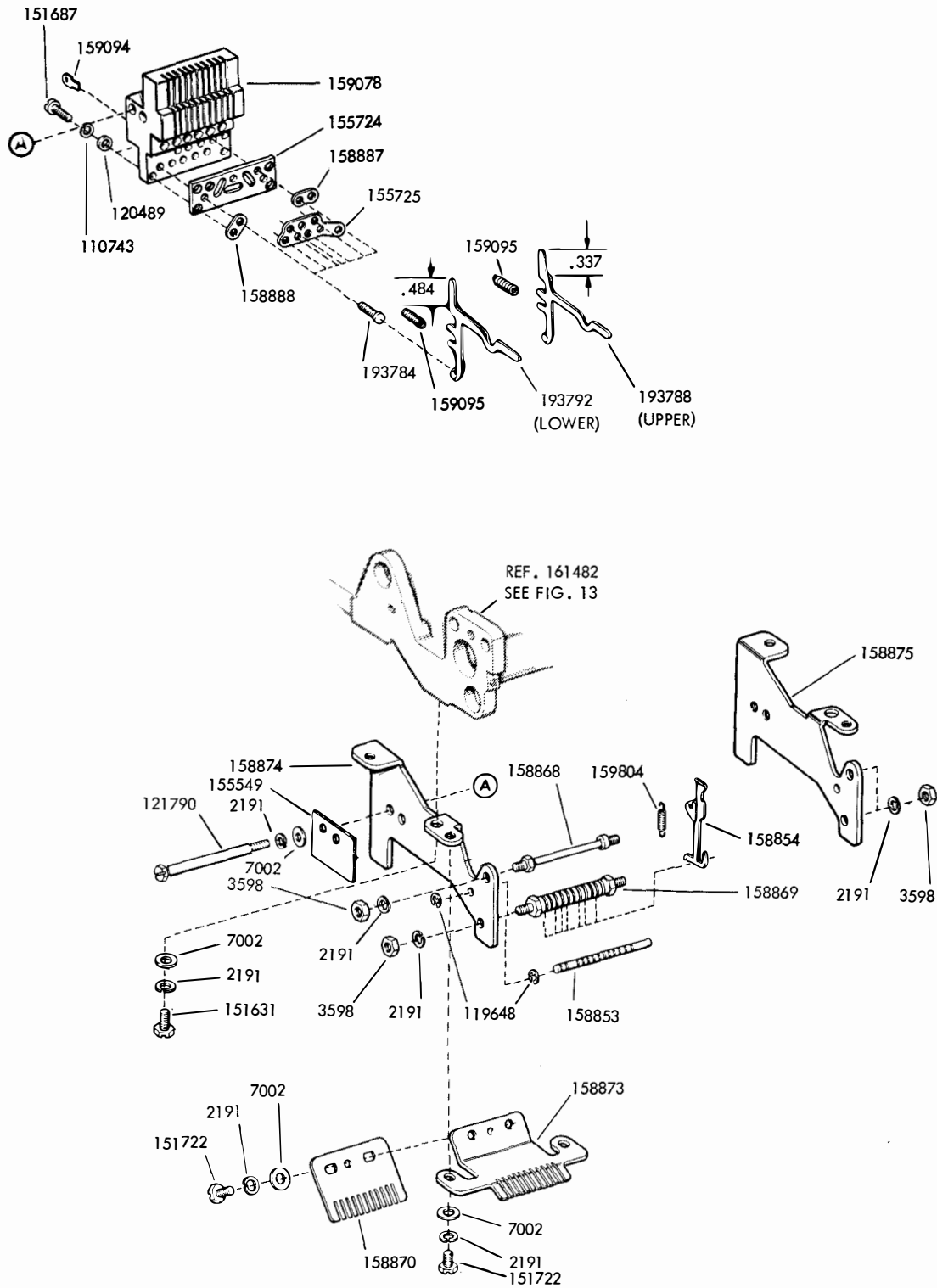
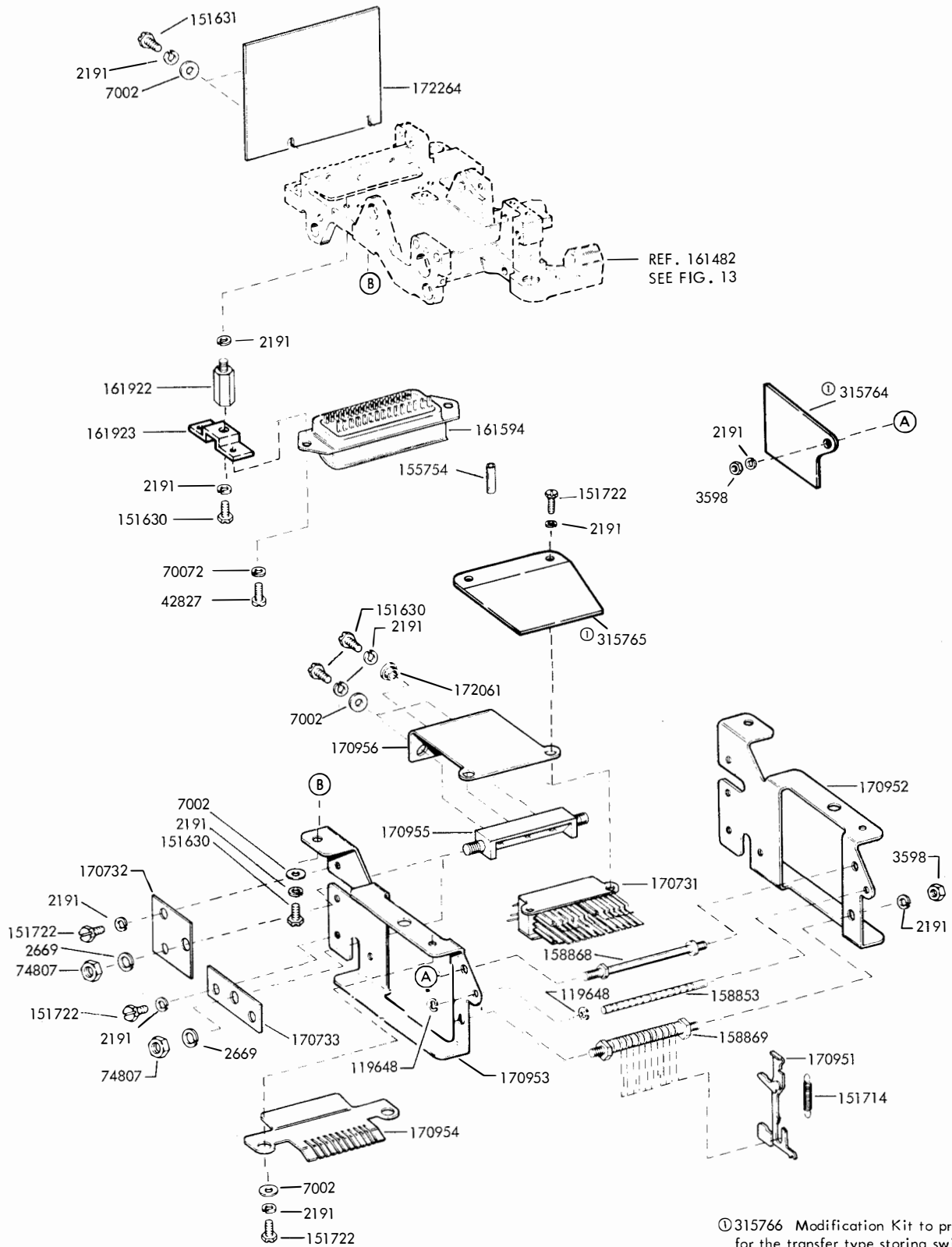


FIGURE 15. STORING SWITCH AND MOUNTING COMPONENTS (5 LEVEL)





① 315766 Modification Kit to provide Covers for the transfer type storing switch assembly on double shaft Transmitter Distributors.

FIGURE 16. STORING SWITCH MOUNTING COMPONENTS (8 LEVEL)

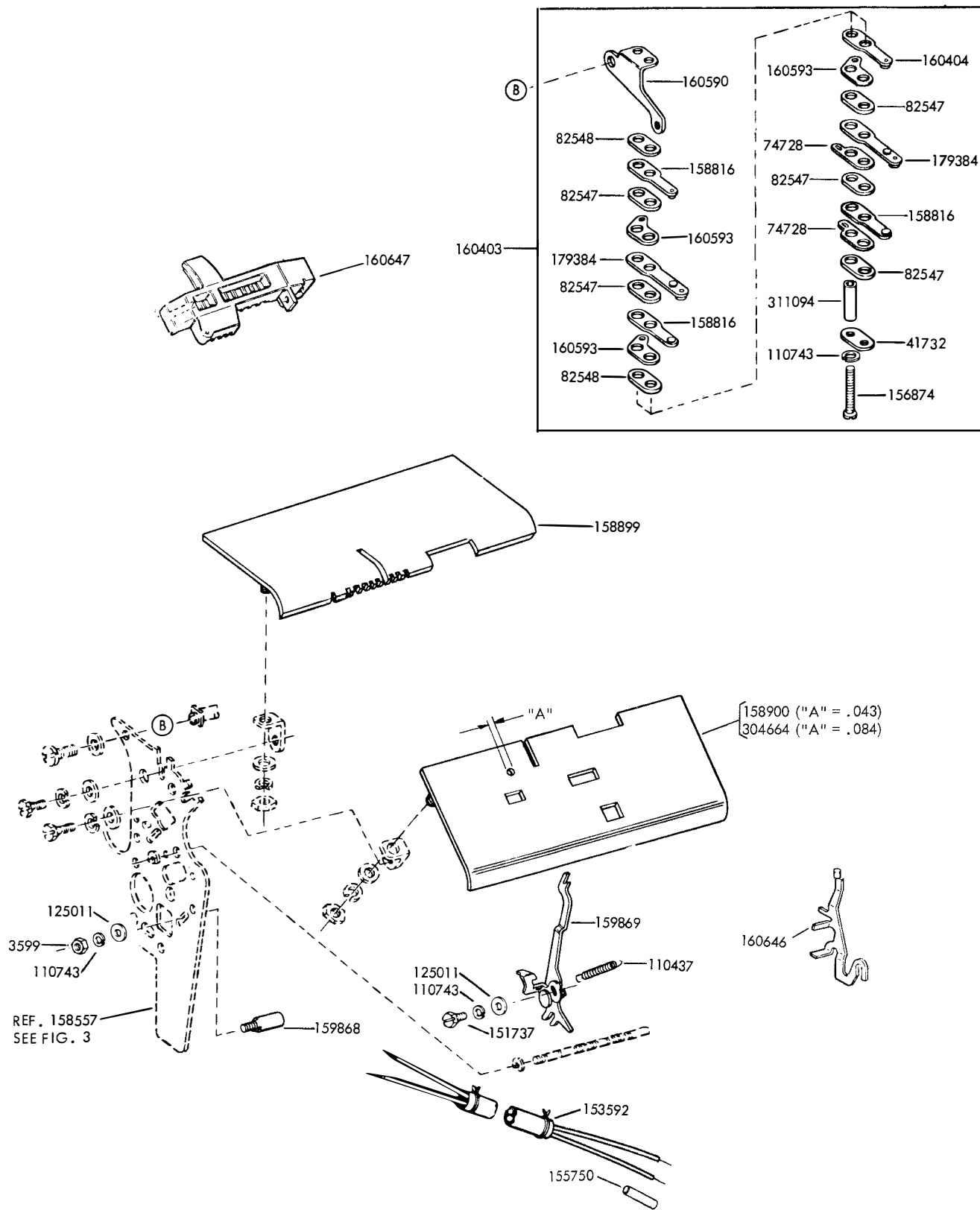


FIGURE 17. 163630 MODIFICATION KIT TO PROVIDE TAPE LID SWITCH

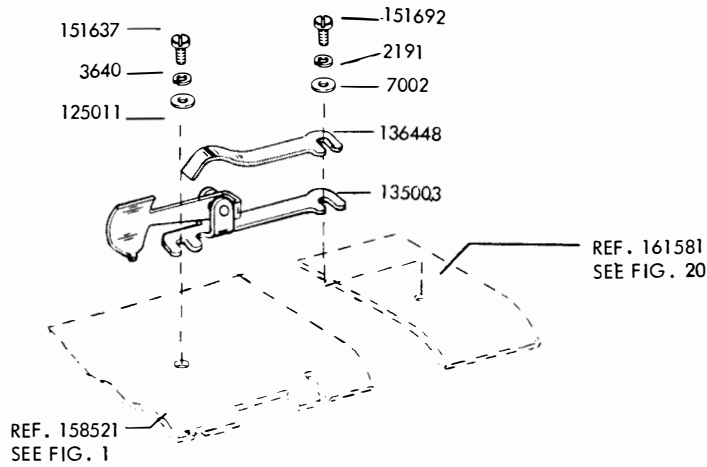


FIGURE 18. 162592 MODIFICATION KIT TO PROVIDE TAPE DEFLECTOR

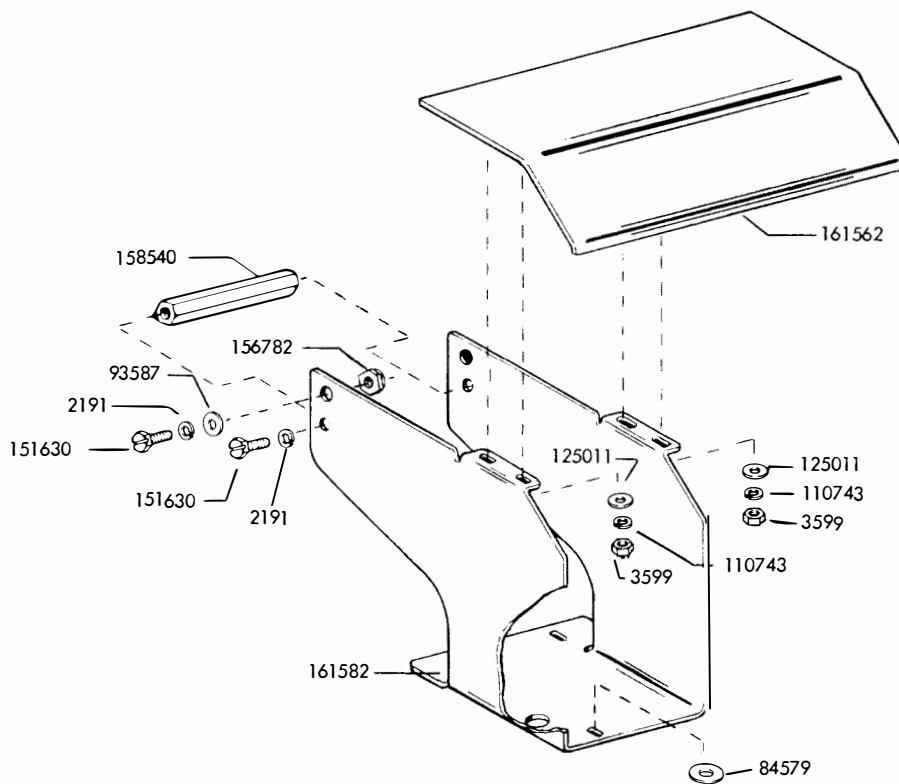
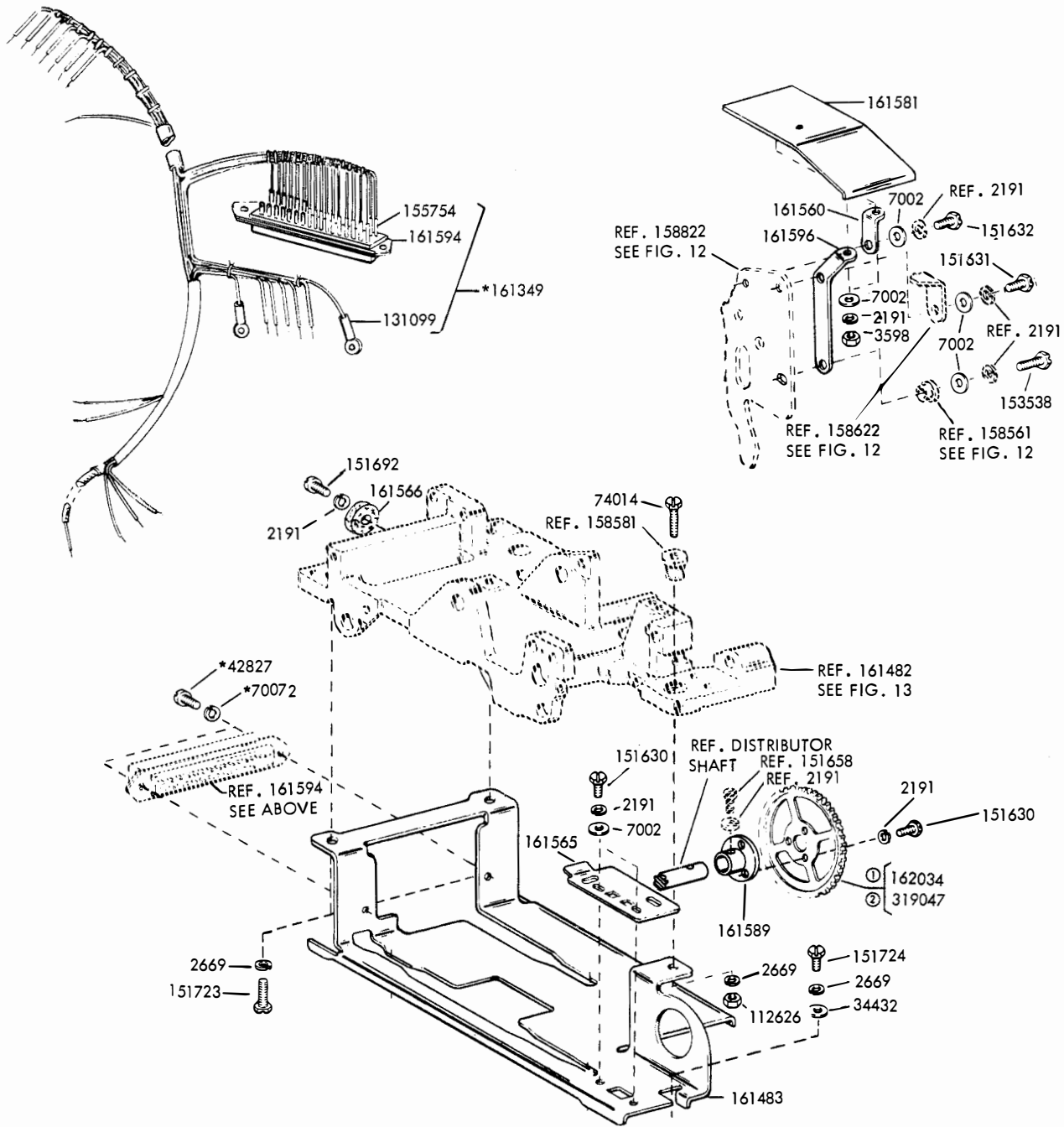


FIGURE 19. 161585 MODIFICATION KIT TO PROVIDE A DUMMY UNIT FOR MULTIPLE MOUNTING BASES



Note 1. 161587 Modification Kit is used when Transmitter Distributors operate at a common speed and 174067 Modification Kit is used when Transmitter Distributor operates at independent speeds.

Note 2. Parts marked "Ref." or with an asterisk (\*) are not included in the Modification Kits. Asterisked items are of a later design than those previously used on the Units and are required when modifying an earlier design Transmitter Distributor for Multiple Mounting.

② Peculiar to 161587 Modification Kit. See Note 1.  
 ① Peculiar to 174067 Modification Kit. See Note 1.

FIGURE 20. 161587 AND 174067 MODIFICATION KITS TO ADAPT A TRANSMITTER DISTRIBUTOR FOR MULTIPLE MOUNTING

## NUMERICAL INDEX (Continued)

Part Number	Description and Page Number	Part Number	Description and Page Number	Part Number	Description and Page Number
252M	Coil, Magnet 11	110743	Washer, Lock 2 to 10, 12 to 16, 18, 19	151638	Washer, Spring 9, 10
257M	Coil, Magnet 11	111342	Spring 5	151658	Screw, 6-40 x 5/16 Fil 9, 10, 20
263M	Coil, Magnet 11	112626	Nut, 10-32 Hex 6, 20	151687	Screw, 4-40 x 7/16 Fil 2, 16
2034	Washer, Flat 11	112631	Spring 7	151688	Screw, 4-40 x 5/8 Fil 4
2191	Washer, Lock 2, 4, 5, 7, 8, 9 to 17, 19, 20	112633	Spring w/Wick 12	151692	Screw, 6-40 x 3/16 Fil 13, 19, 20
2539	Nut, 3/8-32 Hex 8, 9, 10, 14	114107	Spring 12	151693	Screw, 6-40 x 9/16 Fil 15
2669	Washer, Lock 6, 14, 17, 20	115221	Washer, Felt 4	151714	Spring 17
3595	Nut, 1/4-32 Hex 13	119647	Ring, Retaining 3, 5	151715	Spring 3
3598	Nut, 6-40 Hex 2, 4, 7, 12, 14, 16, 17, 20	119648	Ring, Retaining 3, 7, 14, 16, 17	151721	Screw, 6-40 x 3/4 Hex 15
3599	Nut, 4-40 Hex 2, 3, 12, 18, 19	119649	Ring, Retaining 3, 11, 12	151722	Screw, 6-40 x 3/16 Hex 8, 9, 11, 12, 16, 17
3606	Nut, 6-40 Hex 5	119650	Ring, Retaining 5	151723	Screw, 10-32 x 3/8 Hex 20
3640	Washer, Lock 8, 9, 10, 11, 12, 19	119651	Ring, Retaining 3	151724	Screw, 10-32 x 5/8 Hex 20
3870	Spring 11	119652	Ring, Retaining 3, 6, 7	151728	Spring 8, 9
6807	Screw, 6-40 Set 7	119653	Ring, Retaining 5, 11	151733	Screw, 4-40 x 9/16 Fil 12
6835	Washer, Flat 9	120489	Spacer, .052" Thk 5, 16	151736	Spring 10
7002	Washer, Flat 2, 5, 7, 8, 12, 13, 14 to 17, 19, 20	120824	Washer, Felt 8, 9, 10	151737	Screw, 4-40 x 11/64 Hex 8, 9, 10, 11, 18
7634	Spring 11	120870	Wick, Felt 8, 9, 10	151846	Post, Spring 5
8330	Washer, Flat 15	121125	Washer, Spring 11	151880	Nut, 4-40 Hex 3, 4, 7, 15
34432	Washer, Flat 6, 20	121244	Clamp, 1/4 ID Cable 4	152441	Washer, Flat 6, 7
41675	Washer, Flat 3, 5	121248	Clamp, 1/2 ID Cable 4	152893	Screw, 4-40 x 1/4 Hex 2, 4, 5, 6, 11, 12, 13
41732	Plate, Clamp 4, 18	121790	Screw, 6-40 x 1-7/8 Hex 16	153537	Screw, 6-40 x 9/32 Hex 10
42823	Washer, Flat 8, 9, 10	125011	Washer, Flat 2, 3, 4, 6, 7, 11, 12, 13, 15, 18, 19	153538	Screw, 6-40 x 7/16 Hex 13, 20
42827	Screw, 3-48 x 1/4 Fil 17, 20	125015	Washer, Flat 4, 11	153575	Wick, Felt 11
55090	Spring 11	125802	Washer, Flat 4	153592	Cable 18
60669	Spring 7	131099	Terminal, 5/8" Lg 11, 14, 15, 20	153619	Board, Terminal 11
61085	Washer, Lock 14, 15	135003	Deflector, Tape 19	153631	Network, Spark Suppression 4, 11
70072	Washer, Lock 17, 20	136448	Spring, Flat 19	154335	Screw, 6-40 x 9/32 Fil 8, 9
70388	Spring 5	144775	Bail, Switch 5	154694	Disk, Clutch Cam 8, 9
70878	Spring 3	144852	Pin, Tape Out 7	155549	Shield 16
72522	Wick, Felt 13	144853	Guide 6	155724	Strip, Insulating 16
73175	Washer, Lock 8, 9, 10	144919	Lid, Tape 3	155725	Plate 16
74014	Screw, 10-32 x 3/4 Hex 20	144944	Plate 3	155750	Sleeve, 3/32 ID x 1/2" Lg Insulating 18
74728	Terminal, Contact 18	145347	Boil 3	155752	Sleeve, 5/64 ID x 1/2" Lg Insulating 14, 15
74807	Nut, 10-32 Shoulder Hex 17	150013	Disk, Adjusting 8, 9	155754	Sleeve, 1/16 ID x 1/2" Lg Insulating 17, 20
76275	Pallet, Type 4	150014	Disk, Adjusting 10	156226	Hub 9, 10
80755	Bushing, Insulating 4	150026	Lever, Shoe Release 8, 9	156501	Screw, 6-40 x 7/32 Fil 11
81895	Post, Spring 5	150027	Lever, Shoe Release 10	156549	Lid, Tape 3
82547	Insulator, .094" Thk 4, 12, 18	150029	Wick, Felt 8, 9, 10	156551	Guide, Right 3
82548	Insulator, .062" Thk 4, 12, 18	150034	Disk, 2 Stop Clutch 10	156553	Post, Eccentric 3
84575	Spring 6, 14	150040	Screw, 6-40 x 5/8 Fil 8, 9, 10	156554	Bail 3
84579	Washer, Flat 19	150043	Shoe, Secondary Clutch 8 to 10	156555	Plunger, Tape Lid 3
85318	Washer, Leather 13	150044	Shoe, Primary Clutch 8 to 10	156556	Bracket 2, 3
85559	Washer, Flat 13	150048	Spring 6	156558	Washer, Felt 3
86079	Washer, Felt 11	150241	Spring 8 to 10	156559	Post 3
86959	Bushing, Insulating 12	150507	Spring 6	156560	Bail 3
87402	Spring 5	150830	Bushing, Shoulder 10	156561	Shaft 3
90436	Wick, Felt 13	150841	Bearing 10	156577	Roller, Detent Lever 5
90752	Washer, Felt 7	150923	Washer, Felt 6, 7	156636	Wheel, Feed 4
90789	Washer, Flat 4	151103	Spring 6	156647	Lever, Start-Stop 3
91198	Wick, Felt 11	151152	Screw, 4-40 x 3/16 Hex 3, 6, 11, 13	156673	Bail w/Stud 3
93356	Washer, Felt 11	151246	Washer, Flat 9	156779	Plunger 2
93587	Washer, Flat 4, 19	151346	Screw, 6-40 x 3/8 Fil 9, 10	156782	Nut, 6-40 Spl 4, 19
95378	Spring 7	151395	Spring 3, 5	156811	Guide, Left 3
98726	Screw, 3-48 x 1/4 Fil 14	151610	Washer, Flat 11	156857	Bail, Intermediate 5
98832	Screw, 4-40 x 11/16 Fil 15	151630	Screw, 6-40 x 1/4 Hex 4, 5, 8, 9, 11, 13, 17, 19, 20	156874	Screw, 4-40 x 15/16 Fil 18
102092	Screw, 6-40 x 1-17/32 Rd 13	151631	Screw, 6-40 x 5/16 Hex 4, 8, 9, 12, 13, 16, 17, 20	156887	Screw, 10-32 x 9/16 Hex 14
104451	Washer, Lock 13	151632	Screw, 6-40 x 3/8 Hex 4, 8, 11, 13, 14, 20	158182	Disk, Clutch Cam 10
104751	Spring 3	151637	Screw, 4-40 x 1/4 Fil 19		
105028	Wick, Felt 11				
110334	Screw, 4-40 Shoulder 5				
110437	Spring 18				

## NUMERICAL INDEX

Part Number	Description and Page Number	Part Number	Description and Page Number	Part Number	Description and Page Number
158502	Plate, Control 12	158781	Rocker, Contact 15	159868	Post 18
158505	Stud 4	158786	Roller 6, 7	159869	Pin, Tape Lid 18
158506	Lever, Detent 5	158788	Clamp, Bearing 8, 9	160398	Spring, Contact 12
158508	Pawl, Feed 5	158789	Plug, Oil Retainer 13	160399	Spring, Contact 12
158513	Plate, Cover 2	158790	Stud 13	160400	Contact Assembly 12
158514	Plate, Spring 2	158791	Gear, 23T 13	160401	Bracket, Switch Mounting 12
158515	Bracket 2	158792	Spacer, .083" Thk 13	160402	Bracket, Stop 12
158516	Rod 2	158794	Spacer, .109" Thk 8, 9, 10	160403	Contact Assembly 18
158517	Spring, Compression 2	158795	Plate 8, 9, 10	160404	Spring, Contact 18
158521	Plate, Top 2, 19	158796	Gear, 46T 10	160455	Spring 11
158522	Pin, Sensing 7	158797	Drum, Clutch 8, 9, 10	160544	Shaft 5
158526	Lever, Feed 7	158805	Lever 7	160545	Post, Guide 5, 12
158527	Rod, Spring 7	158810	Bail, Latch 7	160546	Post 5
158528	Spacer, .312" Thk 15	158812	Bail, Pusher 7	160548	Bail 5
158529	Bushing, Guide 5	158816	Spring, Contact 4, 18	160549	Bail 12
158531	Shaft 5	158819	Shaft, Pivot 7	160551	Arm, Slide 12
158533	Bushing, Eccentric 5	158822	Plate, Rear 8, 9, 11, 13, 14, 20	160552	Arm, Slide 12
158535	Post 5	158829	Shaft, Eccentric 6	160556	Stud 12
158536	Plate, Center 5, 7	158830	Guide 6	160557	Arm 12
158539	Post 4	158831	Bail Sensing 6	160558	Arm 12
158540	Post 4, 19	158832	Shaft, Eccentric 6	160562	Screw, 6-40 Spl 13
158542	Spring 7	158833	Lever, Auxiliary 6	160563	Wick, Leather 13
158551	Camsleeve, 1 Hertz 9	158834	Lever, Latch 6	160564	Stiffener 13
158552	Camsleeve 8	158837	Shaft, 6-5/16" Lg 9	160565	Bail 13
158553	Shaft 9	158839	Shaft, 1 Stop Sensing 8	160566	Bracket 13
158554	Post, Pilot 13	158840	Shaft, 4-13/16 Lg 10	160590	Bracket, Switch Mounting 4, 18
158555	Gear, 40T 9	158842	Sleeve 9	160591	Bracket, Spring 4
158556	Bracket, Spring 6	158843	Camsleeve, 2 Hertz 10	160592	Bail, Switch 5
158557	Plate, Front 2, 4, 5 to 9, 18	158846	Post, Spring 4	160593	Terminal 4, 12, 18
158559	Plate, Intermediate 4	158847	Clamp, Bearing 8, 9, 10	160594	Contact Assembly, Tape Out 4
158560	Plate, Intermediate 12, 13	158848	Lever, Push 6	160595	Pin, Tape Out 7
158561	Bushing 4, 13, 20	158849	Lever, Push 6	160596	Spring 7
158566	Bushing 14	158850	Bearing, Sleeve 8, 9	160645	Plate 3, 7
158576	Spacer, .218" Thk 13	158852	Collar, Set 7	160646	Pin, Sensing 3, 7, 18
158581	Bushing 14, 20	158853	Post, Spring 16, 17	160647	Lid, Tape 3, 7, 18
158583	Clip, Spring 5	158854	Slide 16	161148	Retainer, Oil Wick 6
158585	Post 4	158859	Post, Spring 13, 14	161149	Wick, Oil 6
158587	Plate 14	158860	Bar 13	161291	Bushing 3
158588	Post 14	158868	Post, Stop 16, 17	161325	Bail, Latch 7
158596	Camsleeve, 1 Hertz 9	158869	Shaft, Eccentric 16, 17	161326	Bail, Pusher 7
158602	Connector, 14 Pt Receptacle 14, 15	158870	Guide 16	161328	Shaft, Pivot 7
158616	Cable Assembly 14	158873	Guide 16	161349	Cable Assembly 20
158617	Cable Assembly 14	158874	Plate, Front 16	161440	Spring 3
158622	Deflector 13, 20	158875	Plate, Rear 16	161482	Casting, Main 4, 6, 7, 12 to 17, 20
158625	Bracket w/Stud 3	158880	Spring, Compression 9	161483	Cradle 20
158626	Bracket w/Studs 3	158882	Bracket 15	161560	Bracket, Filler Plate 20
158627	Plate w/Studs 3	158883	Spring, Compression 15	161562	Plate, Dummy 19
158715	Gear, 32T 9	158887	Plate 16	161565	Plate, Locating 20
158751	Plate, Clutch Trip 11	158888	Plate 16	161566	Bushing, Insulating 20
158752	Lever, Trip 11	158895	Clip 8, 9, 10	161581	Plate, Filler 19, 20
158753	Armature, Magnet 11	158896	Lever, Latch 11	161582	Bracket, Dummy 19
158754	Core, Magnet 11	158898	Camsleeve 8	161585	Modification Kit 1, 19
158757	Hinge, Mounting 11	158899	Plate, Top 18	161587	Modification Kit 20
158758	Shaft 11	158900	Plate 18	161589	Hub, Gear 20
158760	Post, Spring 11	158923	Bearing, Sleeve 10	161594	Connector, 36 Pt Plug 17, 20
158761	Bail, Armature 11	158926	Screw, 4-40 x 7/32 Hex 8 to 10	161596	Bracket, Filler Plate 20
158762	Lever, Trip 11	159078	Block, Contact 16	161597	Bracket 11
158763	Bracket 11	159094	Plate 16	161922	Post 17
158766	Screw, 6-40 Contact 15	159095	Spring 16	161923	Strip 17
158767	Guide, Lever 15	159241	Camsleeve 9	162034	Gear, 96T 20
158768	Terminal 15	159293	Arm, Extension 5	162353	Bracket 13
158770	Terminal, Spring Holder 15	159313	Reservoir Arm 13	162354	Reservoir, Oil 13
158771	Shaft 14	159341	Bearing, Ball 8, 9, 10	162355	Bracket 13
158777	Holder, Screw 15	159347	Bail 5	162470	Plate, Adapter 14
158778	Post, Spring 14	159738	Spacer, .019" Thk 5, 12	162573	Retainer 10
158779	Lever, Cam Follower 14	159800	Spring 15	162592	Modification Kit 1, 19
158780	Guide 14	159804	Spring 16	163011	Pinion, 23T 13
		159837	Gear, 48T 9		

## NUMERICAL INDEX

Part Number	Description and Page Number	Part Number	Description and Page Number	Part Number	Description and Page Number
163012	Gear, 46T 8, 9	170955	Bar, Support 17	179791	Lever, Camfollower 14
163363	Stud 13	170956	Bracket, Contact 17	179987	Sleeve, 9/16 ID x 1-5/8" Lg Insulating 4, 11, 15
163630	Modification Kit 1, 18	172061	Bushing, Shoulder 17	193567	Post, Spring 11
163665	Modification Kit 3	172264	Guard 17	193784	Screw, Contact 16
164110	Camsleeve, 1 Hertz 9	172764	Guide, Left 3	193788	Lever, Contact 16
164467	Post, Eccentric 3	173791	Camsleeve, Sensing 8	193792	Lever, Contact 16
164468	Bail 3	174067	Modification Kit 20	197893	Screw, 6-40 Contact 15
164469	Post 3	174229	Camsleeve 9	198672	Modification Kit 3
164470	Bracket w/Stud 3	174455	Pawl, Feed 5	198673	Guide, Right 3
164471	Bracket w/Studs 3	174506	Block, Contact 15	199301	Holder Assembly, Tape 2
164472	Modification Kit 3	176389	Label, Free-Stop 2	199302	Magnet 2
164568	Modification Kit 7	176390	Label, Run 2	199310	Keeper, Magnet 2
164929	Suppressor Assembly, Spark 11	176511	Spring, Tape Clip 2	199507	Guide, Left 3
164930	Modification Kit 11	176512	Strip, Narrow 2	199972	Cover 15
164931	Bracket 11	176518	Strip, Wide 2	304525	Rocker 15
165027	Network, Spark Suppression 4, 11, 15	176565	Sleeve 9	304664	Plate 18
170731	Contact Assembly 17	176566	Camsleeve 8	307238	Camsleeve 9
170732	Plate, Top 17	178171	Modification Kit 14, 15	311094	Bushing, Insulating 18
170733	Plate, Bottom 17	178263	Nut, 4-40 Cap 2	312996	Cover 4
170762	Camsleeve, 1 Hertz 8	178766	Camsleeve, 1 Hertz 9	312997	Bracket, Cover 4
170763	Camsleeve, 1 Hertz 6, 9	178779	Gear, 60T 9	312999	Modification Kit 4
170776	Shaft, Eccentric 6	178872	Sleeve, 1/16 ID x 1-1/4" Lg Insulating 4, 11, 15	315764	Cover 17
170951	Slide 17	179230	Shaft, 5-11/32 Lg 10	315765	Cover 17
170952	Plate, Rear Side 17	179231	Camsleeve, 2 Hertz 10	315766	Modification Kit 17
170953	Plate, Front Side 17	179384	Spring, Contact 4, 18	319047	Gear, 90T 20
170954	Guide 17				

