

TAPE WINDERS (TW) AND UNWIND REELS

PARTS

Figure	Contents	Page	Figure	Contents	Page
1	Base and Brackets for Motor Driven Tape Winders	5	10	Motor and Tape Reel Assemblies for Single Reel Tape Winders	14
2	Drive Shaft and Gears for Motor Driven Tape Winders	6	11	Tape Winder Mechanism (Motor Driven Single Reel)	15
3	Drive Shaft and Gears for Triple Reel Motor Driven Tape Winders	7	12	Motor and Electrical Components (Single Reel)	16
4	Intermediate Gear and 110715 Tape Reel Assembly	8	13	Tape Reel Assemblies for Single Reel Tape Winders	17
5	102073 and 98200 Tape Reel Assemblies	9	14	Base and Brackets for Spring Driven Tape Winders	18
6	Motor and Cord Assemblies	10	15	4" Reel for 11/16" Tape (Spring Driven)	19
7	Base and Brackets for Single Reel Motor Driven Tape Winders	11	16	4" Reel for 11/16" and 7/8" Tape (Spring Driven)	19
8	Intermediate Gear for Single Reel Motor Driven Tape Winders	12	17	6" Reel for 11/16" Tape (Spring Driven)	19
9	Drive Gear Mechanism for Single Reel Motor Driven Tape Winders	13		Continued on Next Page	

PAINT FINISH COLOR CODE CHART									
(for parts and assemblies requiring a paint finish)									
Color	Finish Suffixes				Color	Finish Suffixes			
	Wrinkle Finish	Smooth Finish	Textured Vinyl	Smooth Vinyl		Wrinkle Finish	Smooth Finish	Textured Vinyl	Smooth Vinyl
Beige		ET			Gray, Federal		BV	GG	
Beige, Light		EL		HC	Gray, Green	AB (40)	BK	GA (45)	
Beige, Rose		ER			Gray, Light		EJ		HB (68)
Black	AA (37)				Gray, Covert				HE
Black, High Gloss		BA (34)			Gray, Olive		EW	GE	HF (46)
Black, Semi Gloss		BB			Gray, Maritime Deck	AJ	BJ		
Blue, Aqua		EK			Gray, Oxford		EP		
Blue, Brussels Light		EC			Green, Gray	AB (40)	BK	GA (45)	
Blue, Medium		ES			Green, Moss		EN		HD
Brown, Dark	AD (38)				Ivory		EM		
Brown, Light	AC (39)			HG	Pink, Rose		EU		
Fawn					Turquoise		EV		
Gray, Beige			GC		White		EH		
Gray, Charcoal	AL	BZ	GF	HA	Yellow, Pastel		EG		
Gray, Dark			GB						

The double asterisk (**) denotes a painted part. Suffix to be applied following the part number. Number in parentheses indicate Bell System code.

Figure	Contents (Continued)	Page	Figure	Contents	Page
18	6" Reel for 3/8", 1/2" and 11/16" Tape (Spring Driven)	19	31	Single Reel Motor Driven Tape Winder	29
19	6" Reel for 11/16" and 7/8" Tape (Spring Driven)	20	32	Base and Brackets for Single Reel Tape Winders (Motor Driven)	30
20	91819 Modification Kit for Applying Center Unwind Reel (Spring Driven)	20	33	Tape Reel and Shaft Mechanism for Single Reel Tape Winders (Motor Driven)	31
21	103035 Modification Kit for Applying Center Unwind Reel (Spring Driven)	21	34	Motor and Relay	32
22	114189 Modification Kit for Applying Center Unwind Reel (Used on a 14 Type Transmitter Distributor Cover)	21	35	Tape Reel Adapters	33
23	115725** Modification Kit to Provide Means for Mounting a Motor Driven Single Reel Tape Winder to Left Side of Table	21	36	146822 Modification Kit to Adapt Spring Driven Tape Winders with 199901 Tape Reel	33
24	115743** Modification Kit to Provide Means for Housing a Motor Driven Single Reel Tape Winder at the Left Side of the Table	22	37	194770** (Single Reel) and 195105** (Triple Reel) Modification Kits to Provide Tape Winder Covers	34
25	Base and Bracket Mechanism for Triple Reel Tape Winders (Motor Driven)	22	38	Motor Driven Tape Winder (Single Reel)	35
26	Tape Guides and Rollers	24	39	Housing and Cable Assemblies for Motor Driven Tape Winders	36
27	Shaft Mechanism for Motor Driven Tape Winders	25	40	146815 12" Center Unwind Reel Assembly	37
28	Motor and Relay	26	41	146892** Tape Unwinder	38
29	Tape Reels	27	42	199935 6" Center Unwinder	39
30	199900 and 164516 Modification Kits to Provide Reel Full Alarm	28	43	194727 and 198640 Modification Kits to Provide Center Unwind Reel	40
			44	Tape Guides and Rollers for Double Reel Tape Winder	41
			45	Electrical Components for Double Reel Tape Winder	42
			46	Shaft Mechanism for Motor Driven Double Reel Tape Winder	43
			47	Connectors and Mounting Brackets	44
				Numerical Index	45

** Refer to Page 1 for Finish Suffix

MOTOR DRIVEN TAPE WINDERS

Teletype Code or Part No.	Bell System Code	Weight	Dimensions (inches)			Motor		No. of Reels	Reel Speed (WPM at core)	Reel Size (inches)	Core Size (inches)	Reel Capacity (feet)		Tape Width (inches)	Remarks	Page No.
			Length	Width	Height	Volt	Cycle					Current	Fully Perforated			
TW3			16	7-1/4	17-1/2	110	60	AC	2	167	3	2000	1000	11/16	5,6,8,9,10	
TW4			16	6-1/4	17-1/2	110	60	AC	1	167	3	2000	1000	11/16	5,6,8,9,10	
TW5	2A	35	16	6-1/4	17-1/2	110	60	AC	1	167	3	2000	1000	11/16	53665 (I & A)	
TW5 plus 115743**	2B					110	60	AC	1	167	3	2000	1000	11/16	5,6,8,9,10,23	
TW6	1A	40	16	7-1/4	17-1/2	110	60	AC	2	167	3	2000	1000	11/16	5,6,8,9,10	
TW8			16	6-1/4	17-1/2	110	60	AC	1	167	3	2000	1000	11/16	5,6,8,10	
TW9			16	7-1/4	17-1/2	110	60	AC	2	167	3	2000	1000	11/16	5,6,8,10	
TW10	3A	45	16	11-1/2	17-1/2	110	60	AC	3	167	3	2000	1000	11/16	5 to 10	
TW12		17	20-1/2	5	12-3/4	115	60	AC	1	110	2	2000	1000	11/16	11 to 14	
TW13	4A	17	20-1/2	5	12-3/4	115	60	AC	1	110	2	2000	1000	11/16	11 to 14	
TW14		25	18	10	12-1/2	115	60	AC	3	300	2	2000	1000	11/16	24 to 28	
TW15		25	18	10	12-1/2	115	60	AC	3	300	2	2000	1000	11/16	Reel Full Alarm 59765 (I & A)	
TW16		18-1/2	21	4	13-1/2	115	50-60	AC	1	110	2	2000	1000	11/16	58845 (A, L & T)	
TW18	5B	14	18	6	12-1/2	115	50-60	AC	1	300	2	2000	1000	11/16, 7/8, 1	11,12,14,29	
TW19		26-1/2	18	10	12-1/2	115	50-60	AC	3	300	2	2000	1000	11/16, 7/8, 1	30,31,32	
TW20	5A		18	10	12-1/2	115		AC	3	300	2	2000	1000	11/16, 7/8, 1	24 to 28	
TW21			18	10	12-1/2	115	60	AC	3	300	2	2000	1000	11/16	24 to 28	
TW206** 147720** 194861** and 199468	5C		18	6-1/2	12-1/2	115	60	AC	2	300	2	2000	1000	11/16	24 to 28, 44	

TW200**		6-1/2	10	6	9-1/8	115	60	AC	1	914	8	500	130	3/8, 1/2, 11/16, 7/8, 1	Formerly TW11 (Gray Green Wrinkle) 57235 (I & A)	15,16,17
TW201**		6-1/2	10	5-1/2	7-1/2	115	60	AC	1	786	4	90	50	Up to 7/8	57235 (I & A)	15,16,17
TW203**		5-1/2	10-1/2	6-1/4	7-7/8	115	60	AC	1	600	7-1/2	650	160	11/16, 7/8, 1	57235 (I & A)	15,16,17
TW204**		7-1/2	10-1/2	6-1/4	9-1/8	115	60	AC	1	600	7-1/2	650	160	11/16, 7/8, 1	57235 (I & A)	35,36
TW205**		7-1/2	10-1/2	6-1/4	9-1/8	115	60	AC	1	600	7-1/2	650	160	11/16, 7/8, 1	57235 (I & A)	35,36

** Refer to Page 1 for Finish Suffix

SPRING DRIVEN TAPE WINDERS														
Teletype Code or Part No.	Bell System Code	Weight	Dimensions (inches)			No. of Reels	Reel Speed (WPM at core)	Reel Size (inches)	Core Size (inches)	Reel Capacity (feet)		Tape Width (inches)	Remarks	Page No.
			Length	Width	Height					Fully Perforated	Chadless			
115739**		4-1/2	6	6-3/4	6	1	1000	4	2	90	50	11/16,7/8	Formerly 85832 (Walnut)	18,19 (Fig.16)
115753**		4	6	6-3/4	6	1	1000	6	2-3/4	180	100	11/16	Formerly 103032 (Walnut)	18,19 (Fig.17)
115754**		4	6	6-1/4	5-1/2	1	1000	4	2-3/4	90	50	11/16	Formerly 91729 (Walnut)	18,19 (Fig.15)
123587**			6	6-3/4	6-3/4	1	1000	6	1-1/8	400	200	3/8,1/2, 11/16	Formerly 93791 (Black) and 104478 (Black Wrinkle)	18,19 (Fig.18)
124884**			6	6-3/4	6-3/4	1		6-3/4	2-3/4	180	100	11/16,7/8		18,20 (Fig.19)
146821**		4-1/2	4-1/2	7-1/2	7-1/2	1	1000	7-1/2	2	350	170	11/16,7/8,1	500985	18,19 (Fig.36)

UNWIND REELS														
Teletype Code or Part No.	Bell System Code	Weight	Dimensions (inches)			No. of Reels	Reel Speed (WPM at core)	Reel Size (inches)	Core Size (inches)	Reel Capacity (feet)		Tape Width (inches)	Remarks	Page No.
			Length	Width	Height					Fully Perforated	Chadless			
91819						1	100	4-1/2	2-5/8	90	50	11/16,7/8,1	Mounts on Bell System 19A Table	20
103035						1	100	6-1/4	2-5/8	180	100	11/16,7/8,1	Mounts on Bell System 19A Table	21
114189						1	100	6-1/4	2-5/8	180	100	11/16,7/8,1	Mounts on M14 TD Cover 55735	21
146815		2			6	1	100	12	3	1800	1000	11/16,7/8,1	503125	37
146892**		3-1/2	6	10-1/2	11	1	1050			800	400	11/16,7/8,1	501825 (AL & T)	38
199935		1					300	6	2	400	200	11/16,7/8,1	503545 (M & S)	39

**Refer to Page 1 for Finish Suffix

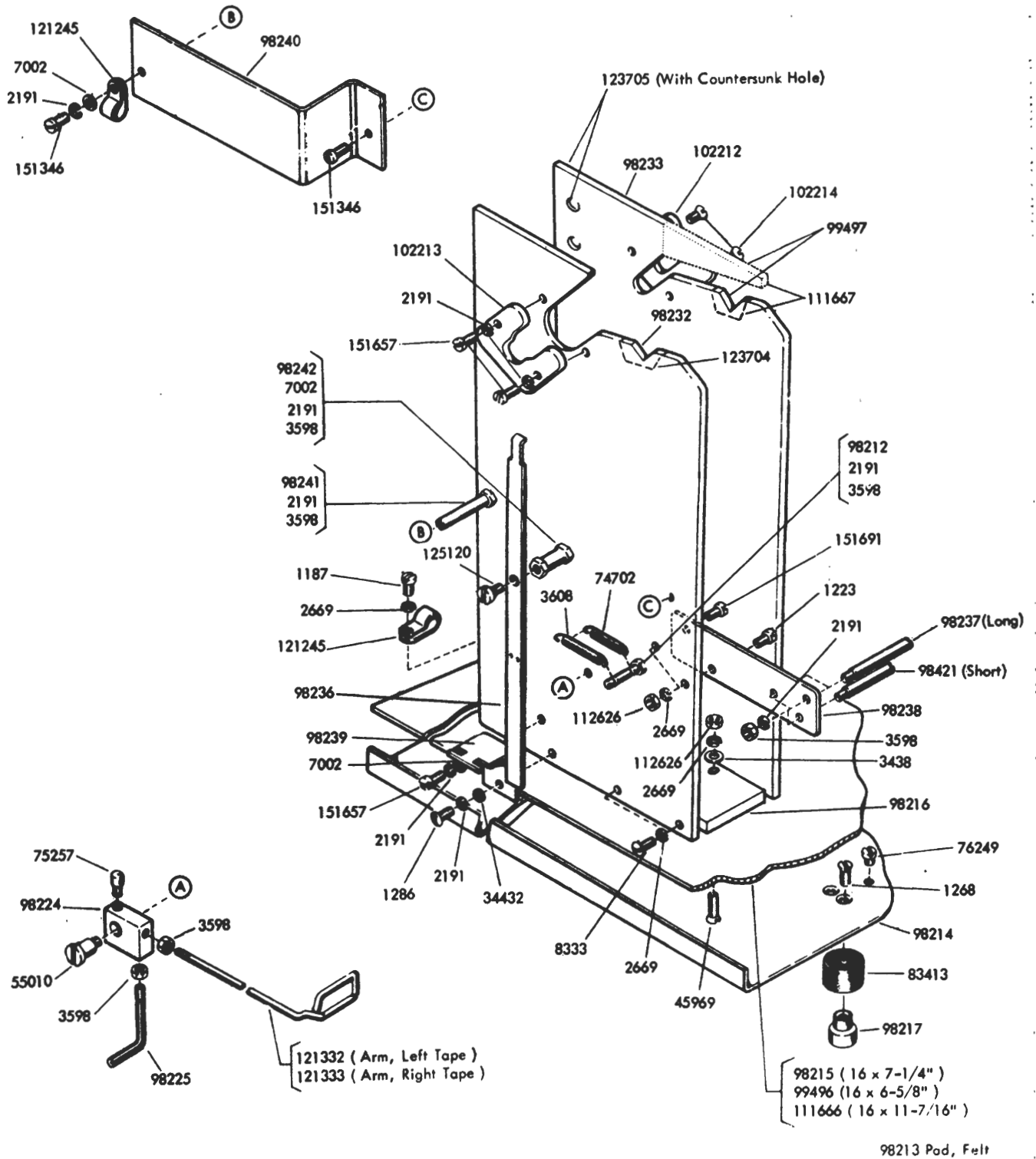


FIGURE 1. BASE AND BRACKETS FOR MOTOR DRIVEN TAPE WINDERS

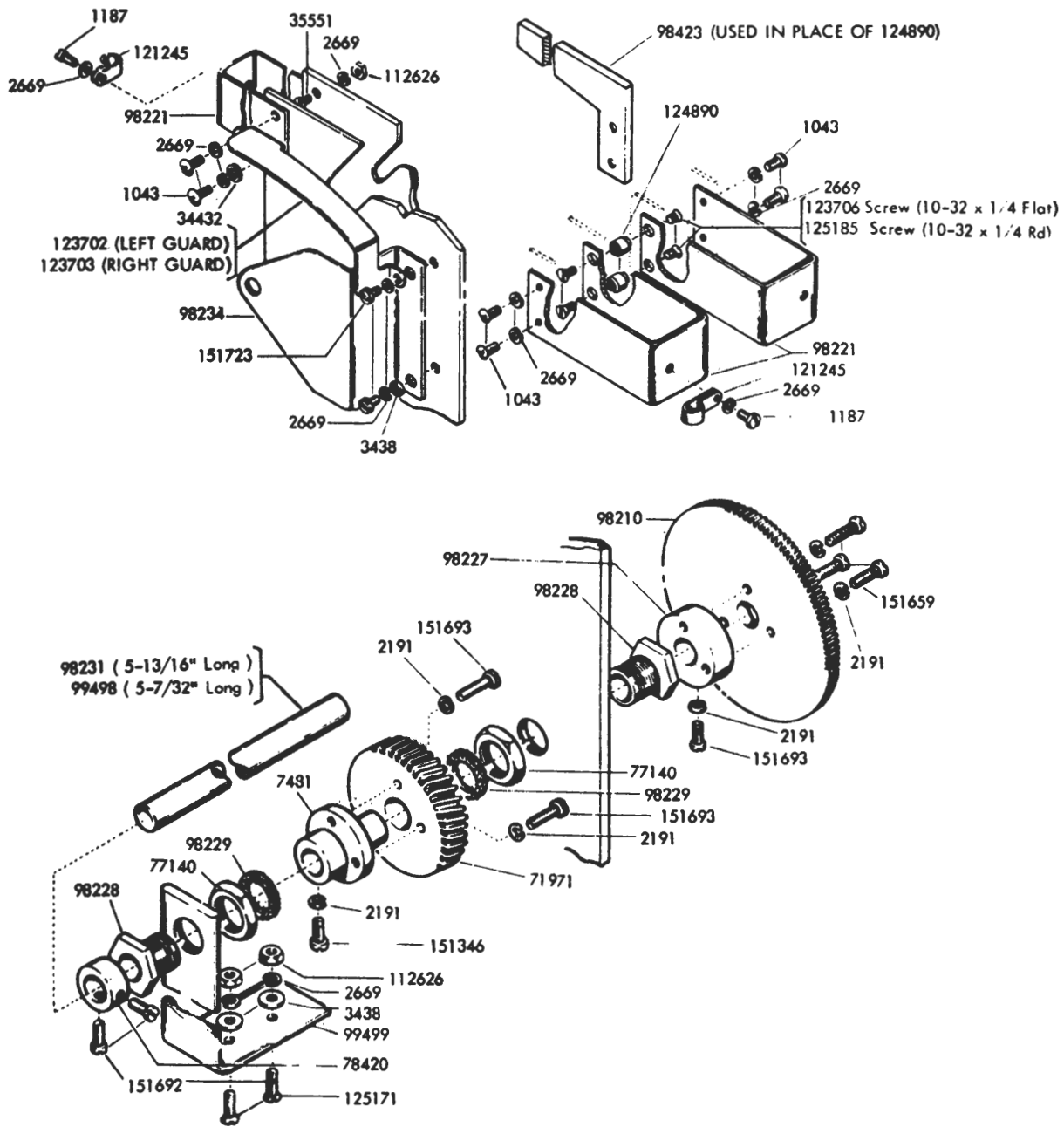


FIGURE 2. DRIVE SHAFT AND GEARS FOR MOTOR DRIVEN TAPE WINDERS

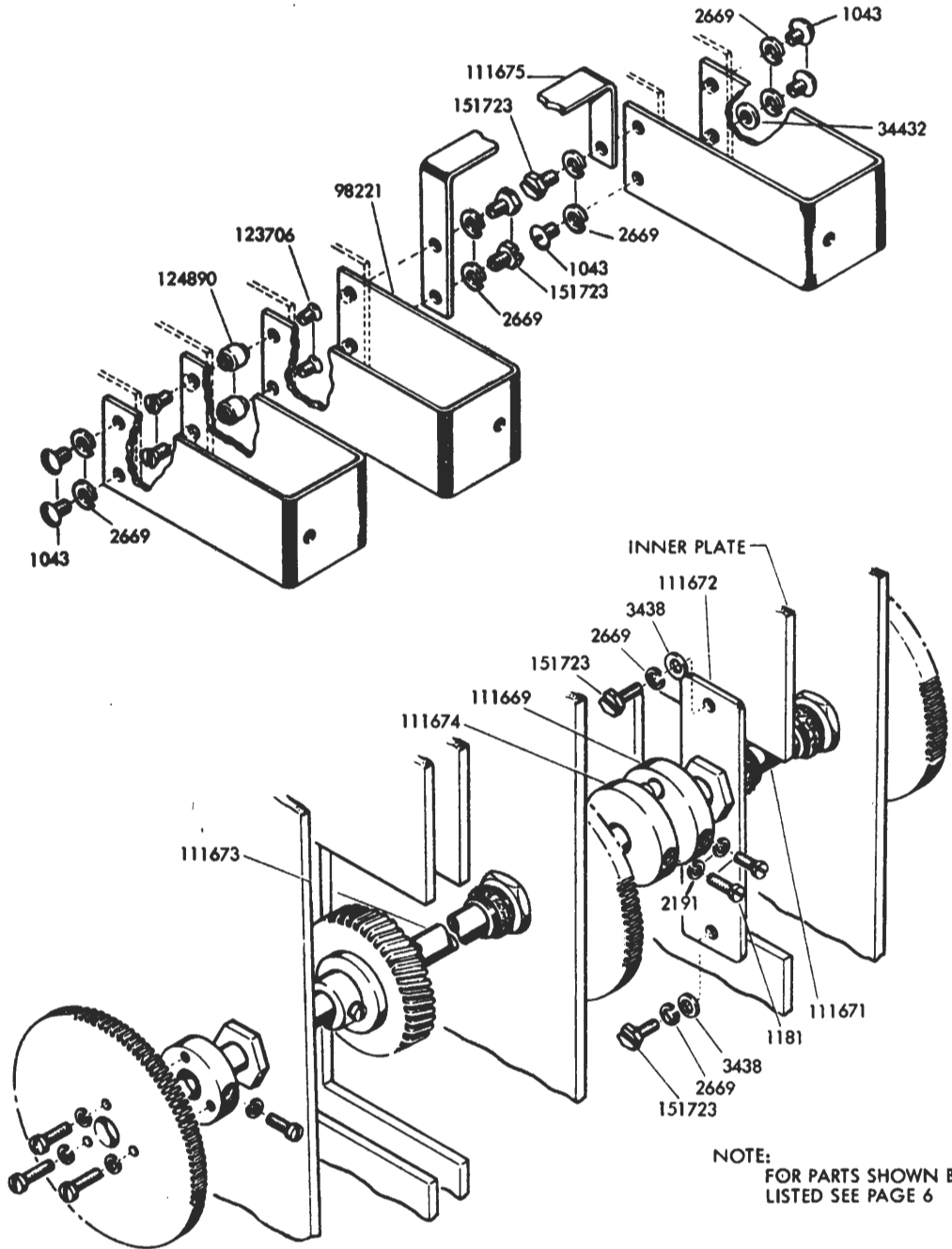


FIGURE 3. DRIVE SHAFT AND GEARS FOR TRIPLE REEL MOTOR DRIVEN TAPE WINDERS

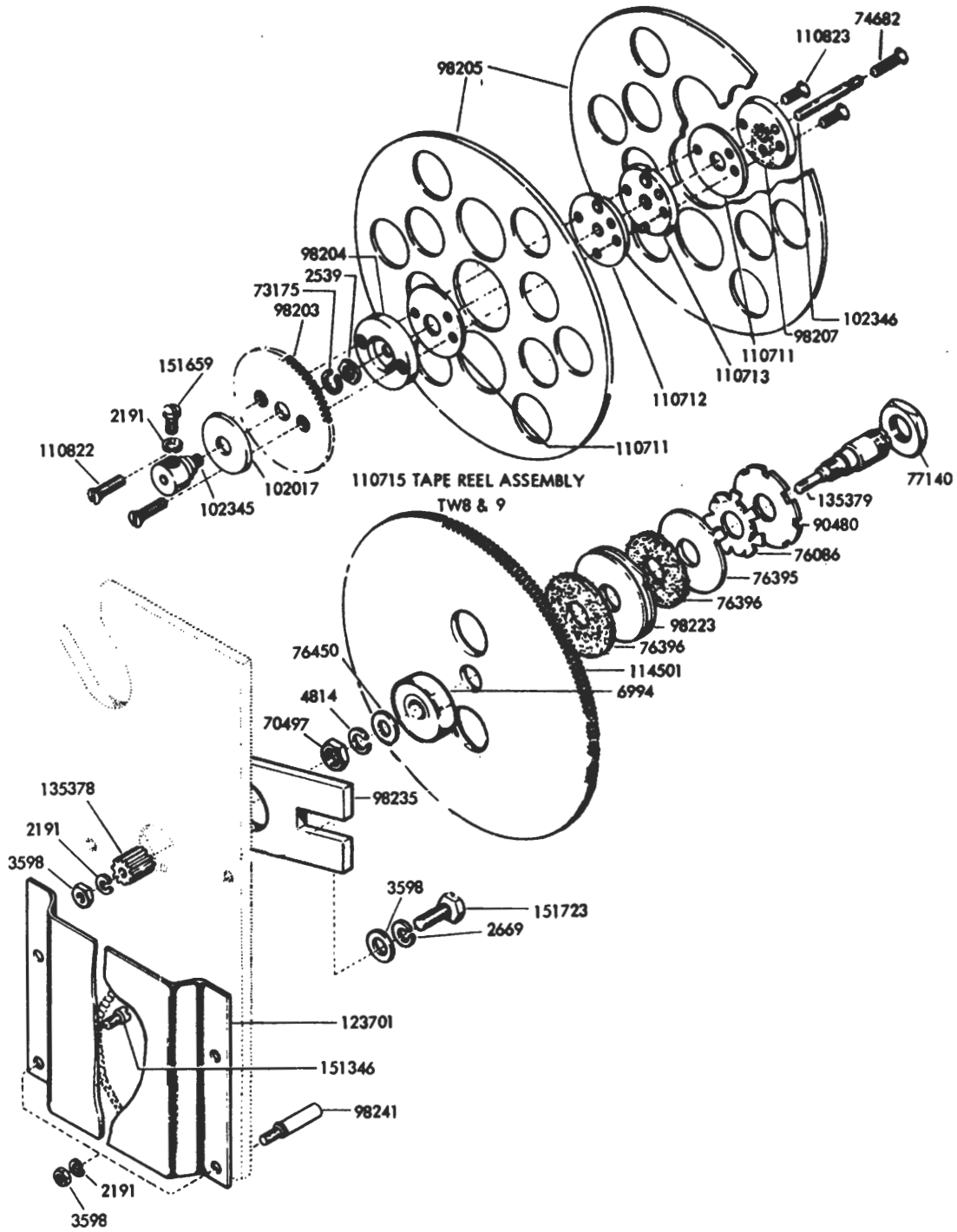


FIGURE 4. INTERMEDIATE GEAR AND 110715 TAPE REEL ASSEMBLY

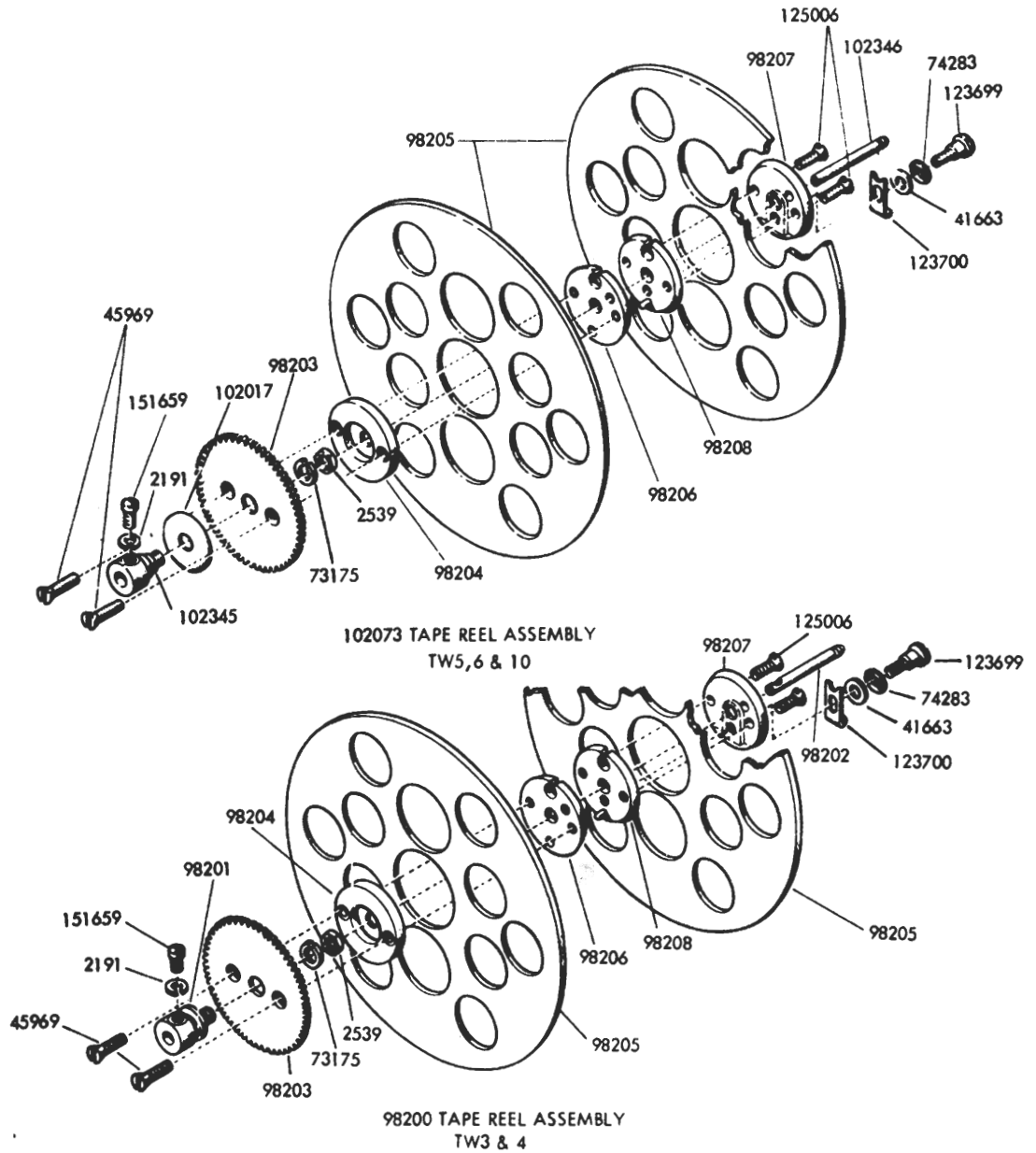
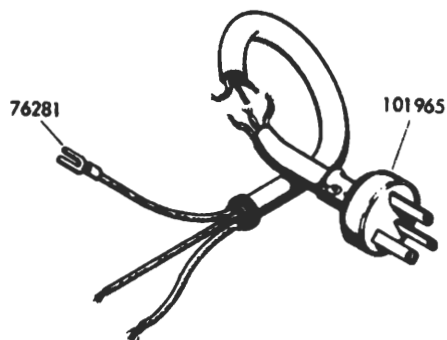
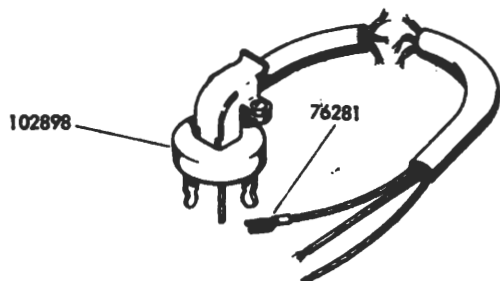


FIGURE 5. 102073 AND 98200 TAPE REEL ASSEMBLIES



102495 CORD ASSEMBLY



102899 CORD ASSEMBLY

82283 MOTOR, SYNCHRONOUS
1/40 HP. 110V, 60 CYCLE
AC (SEE BULLETIN 1147B
FOR COMPONENT PARTS)

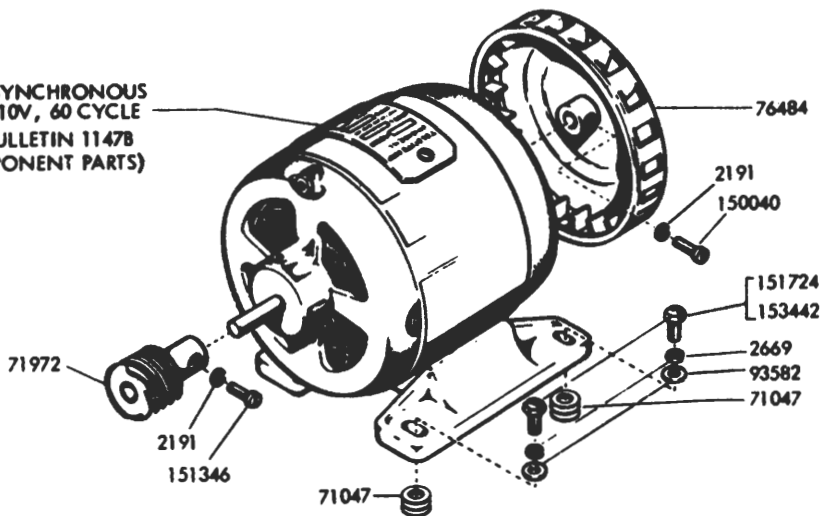


FIGURE 6. MOTOR AND CORD ASSEMBLIES

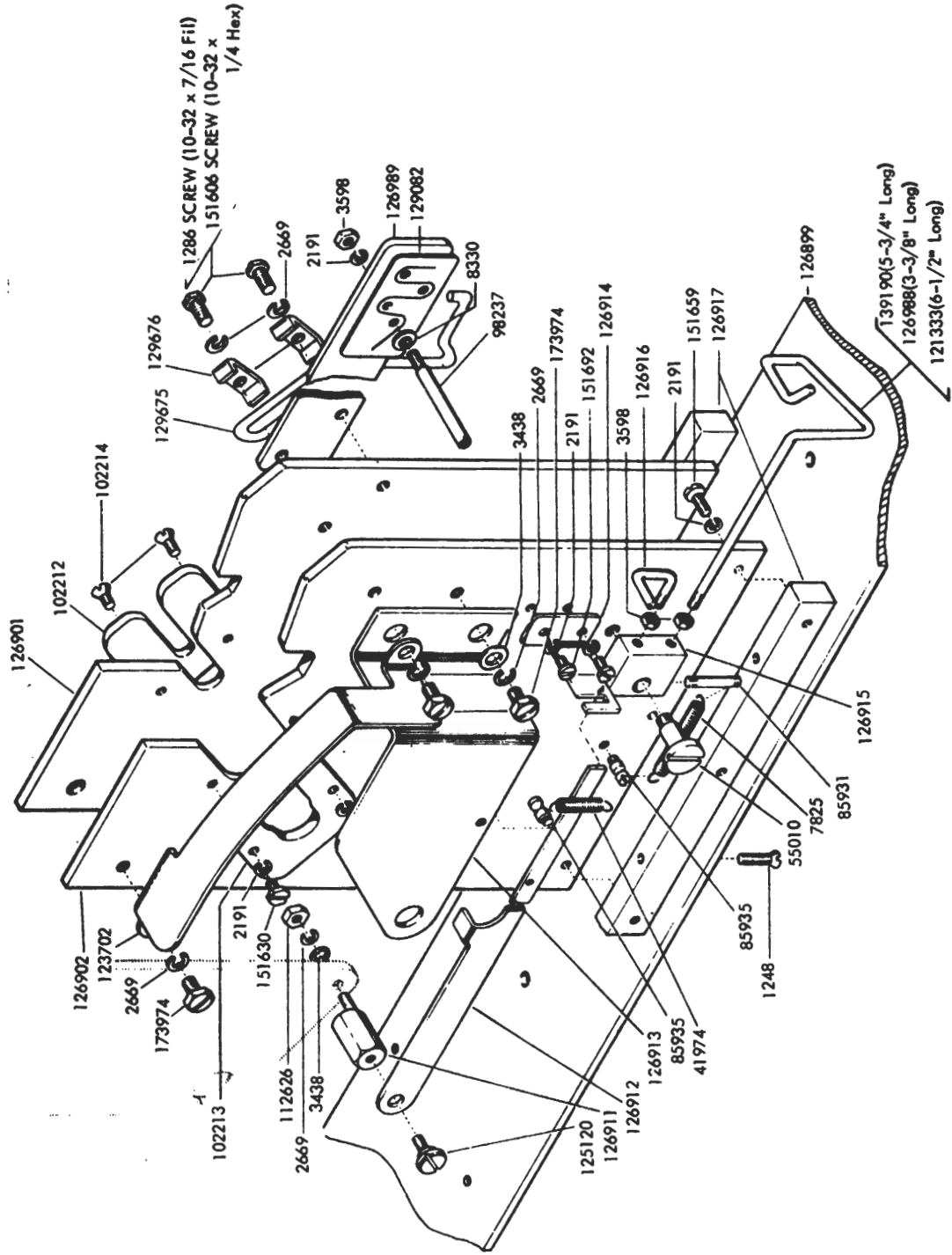


FIGURE 7. BASE AND BRACKETS FOR SINGLE REEL MOTOR DRIVEN TAPE WINDERS

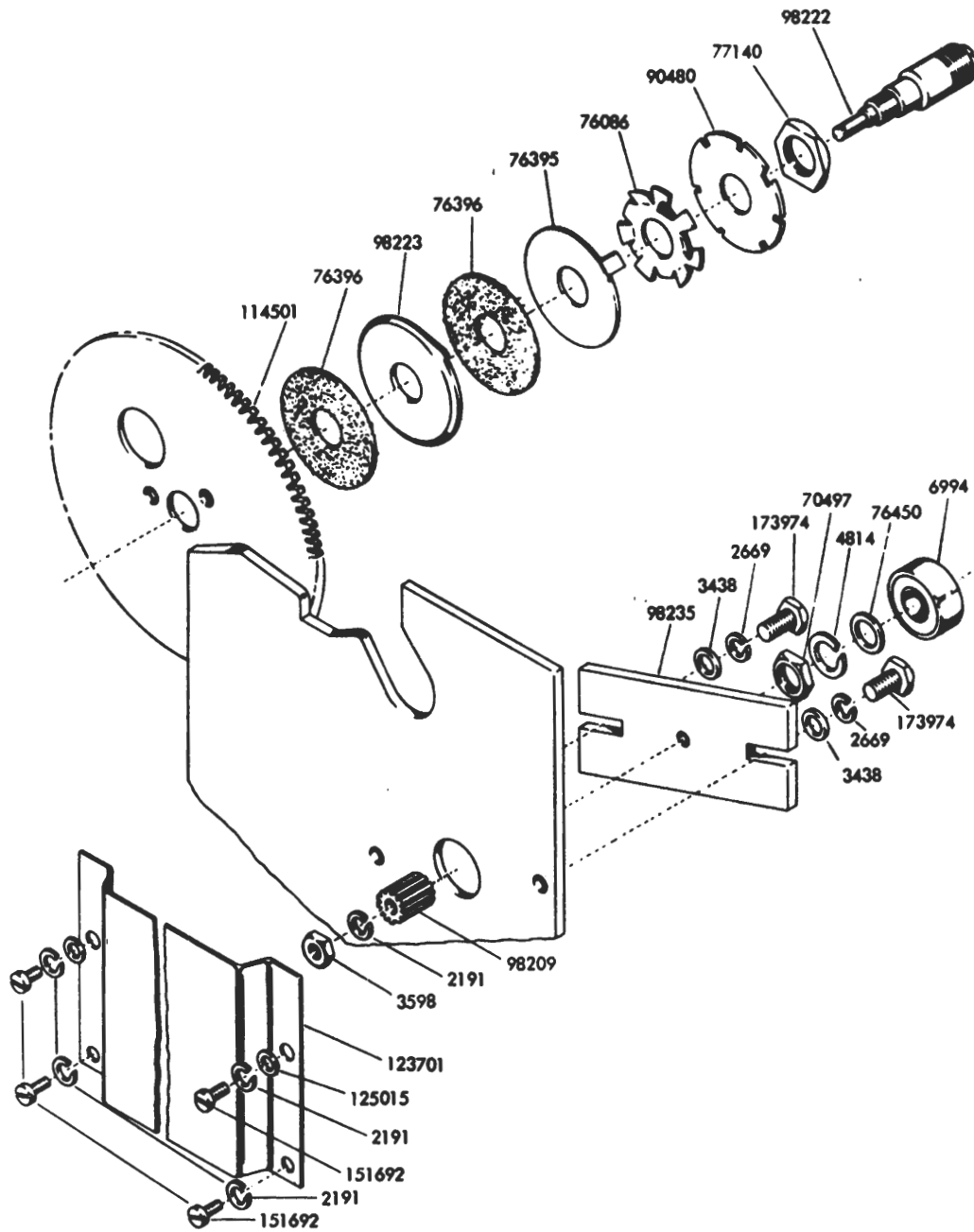


FIGURE 8. INTERMEDIATE GEAR FOR SINGLE REEL MOTOR DRIVEN TAPE WINDERS

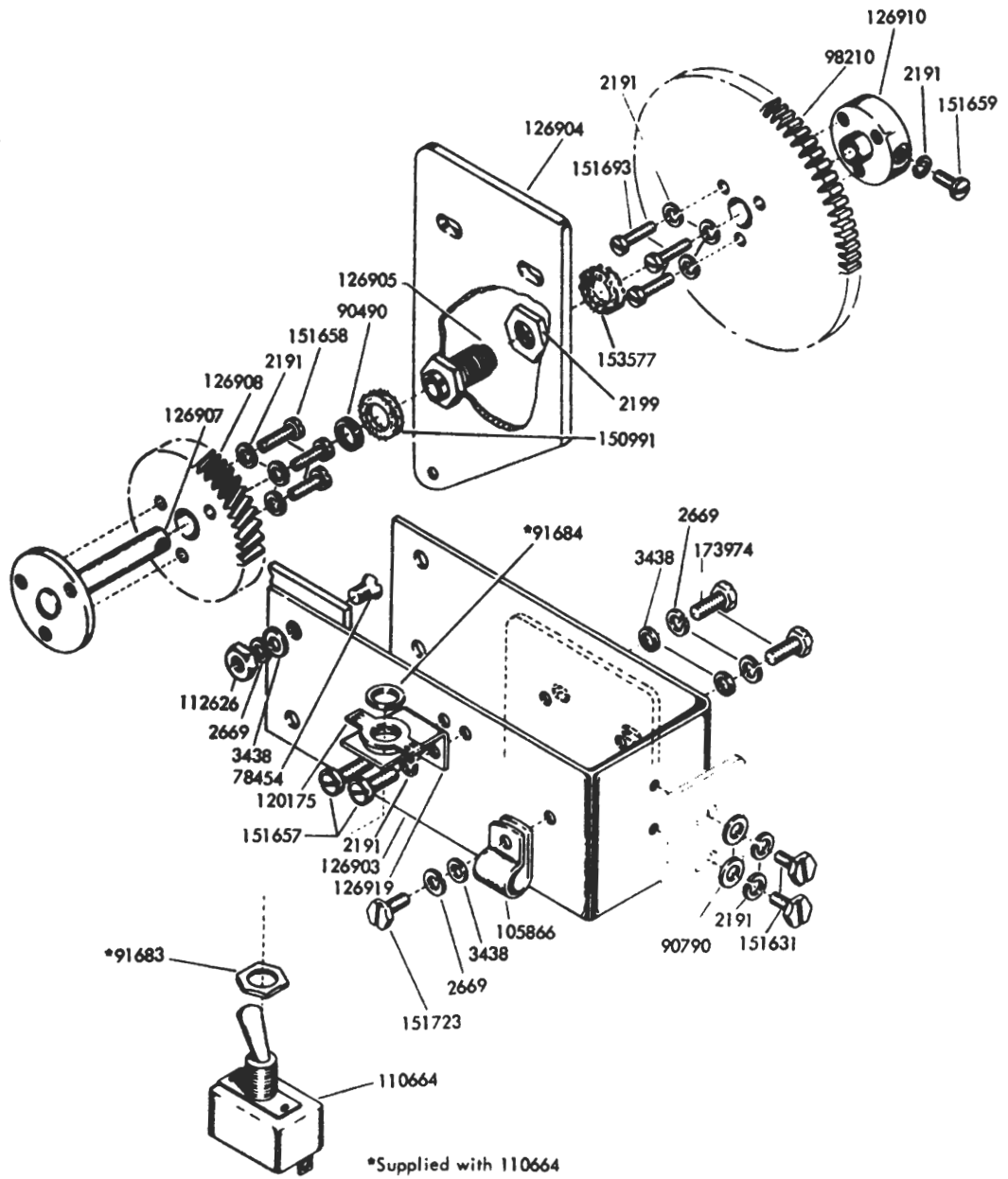


FIGURE 9. DRIVE GEAR MECHANISM FOR SINGLE REEL MOTOR DRIVEN TAPE WINDERS

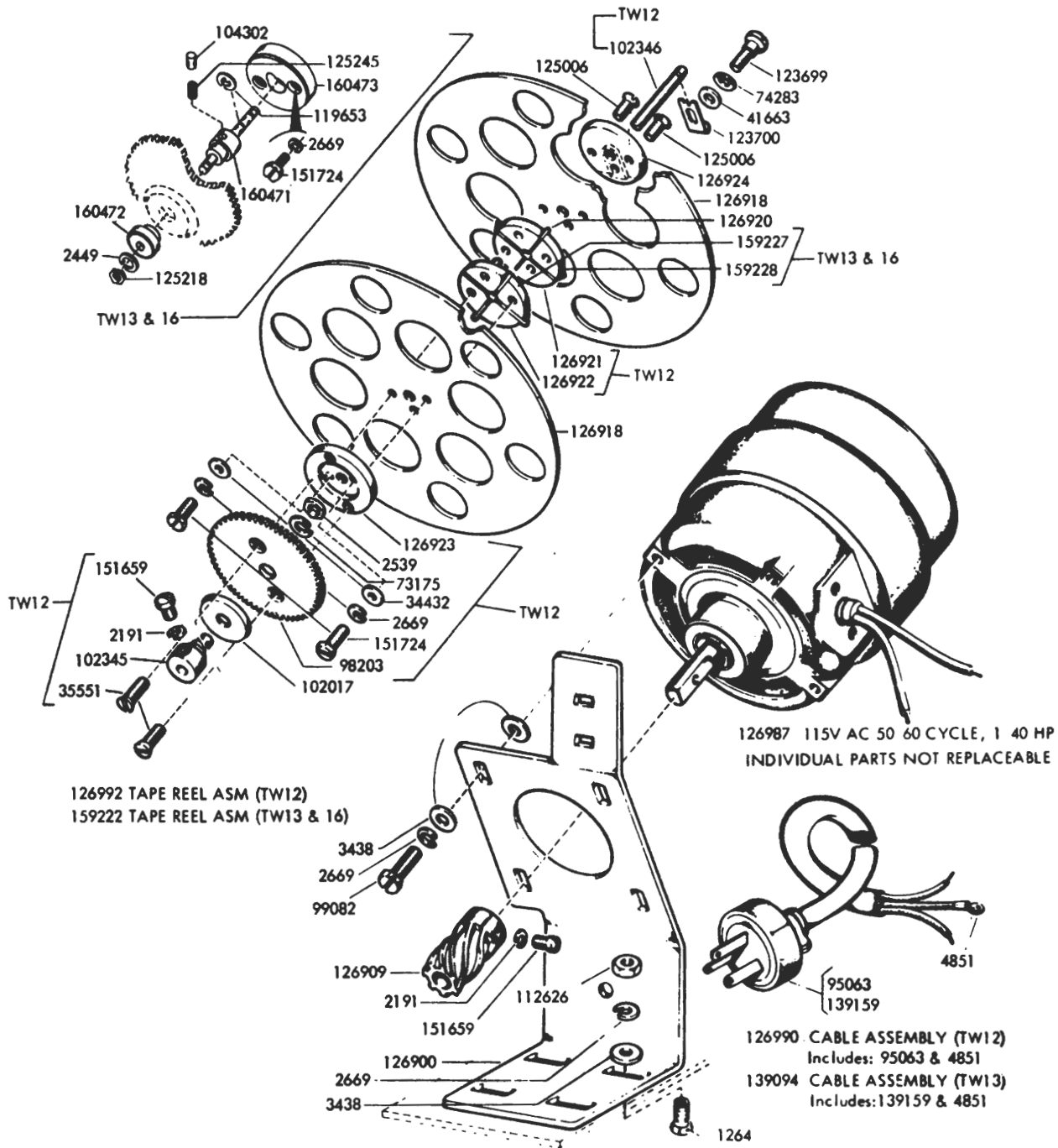
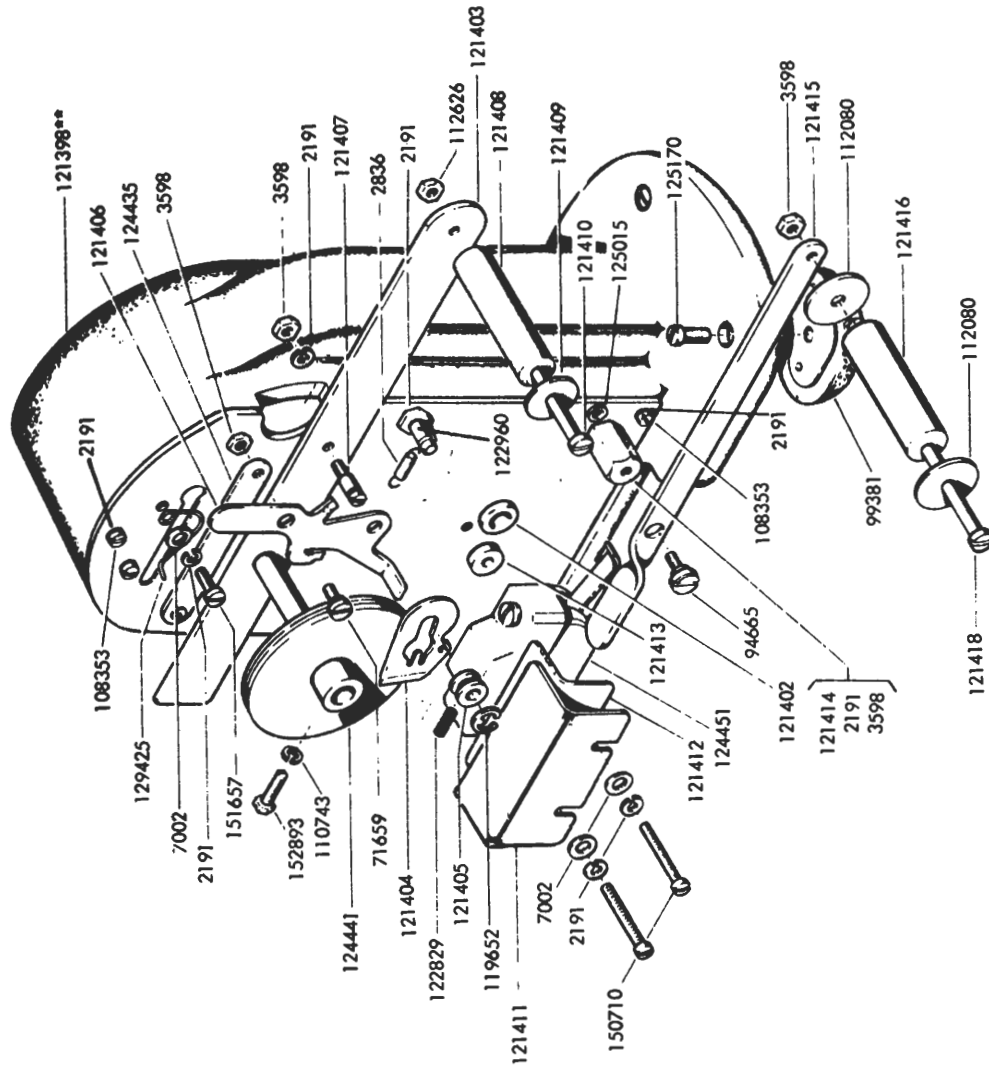


FIGURE 10. MOTOR AND TAPE REEL ASSEMBLIES FOR SINGLE REEL TAPE WINDERS



121426 Jumper, 7-3/4" Black

** Refer to Page 1 for Finish Suffix

FIGURE 11. TAPE WINDER MECHANISM (Motor Driven Single Reel)

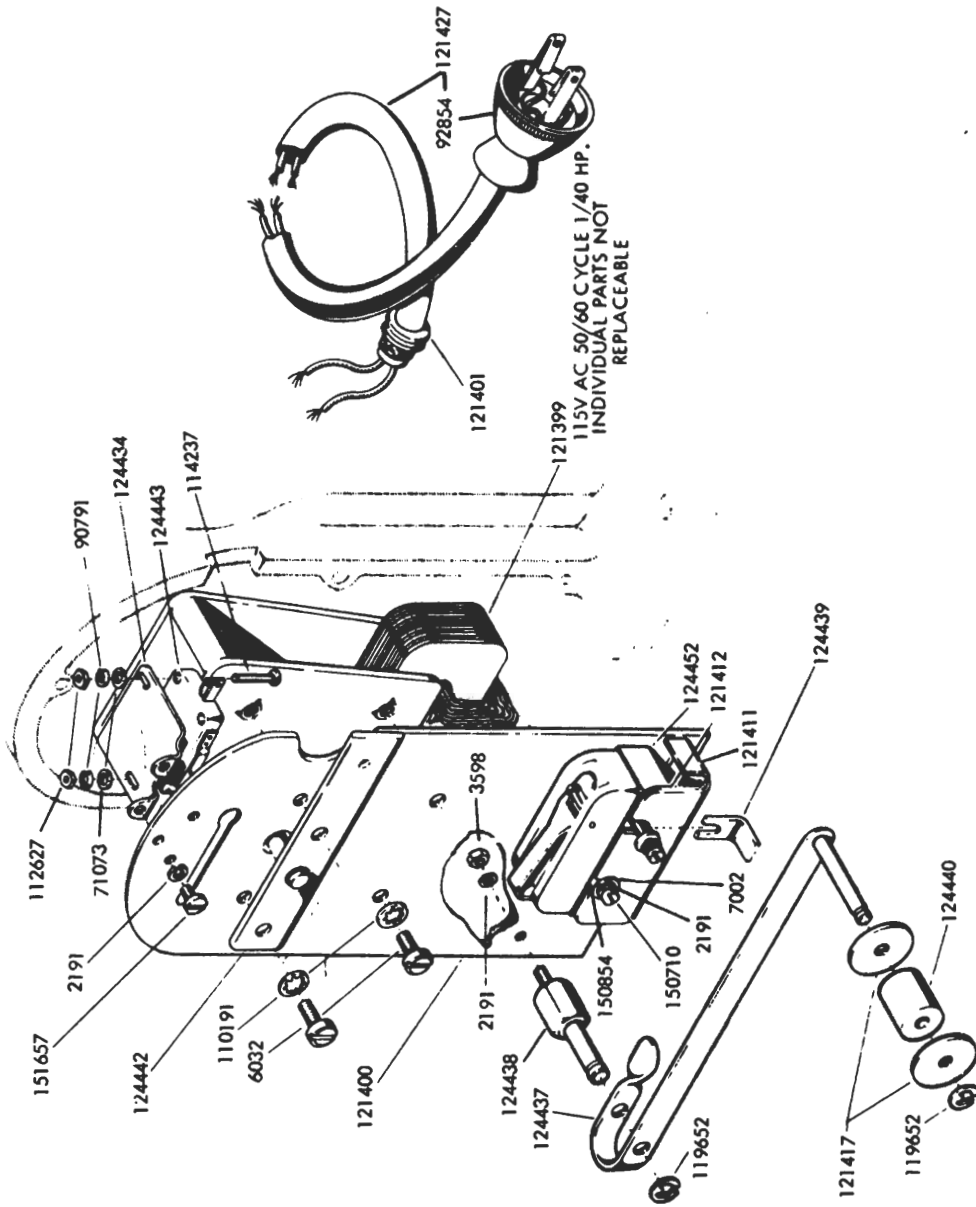


FIGURE 12. MOTOR AND ELECTRICAL COMPONENTS (Single Reel)

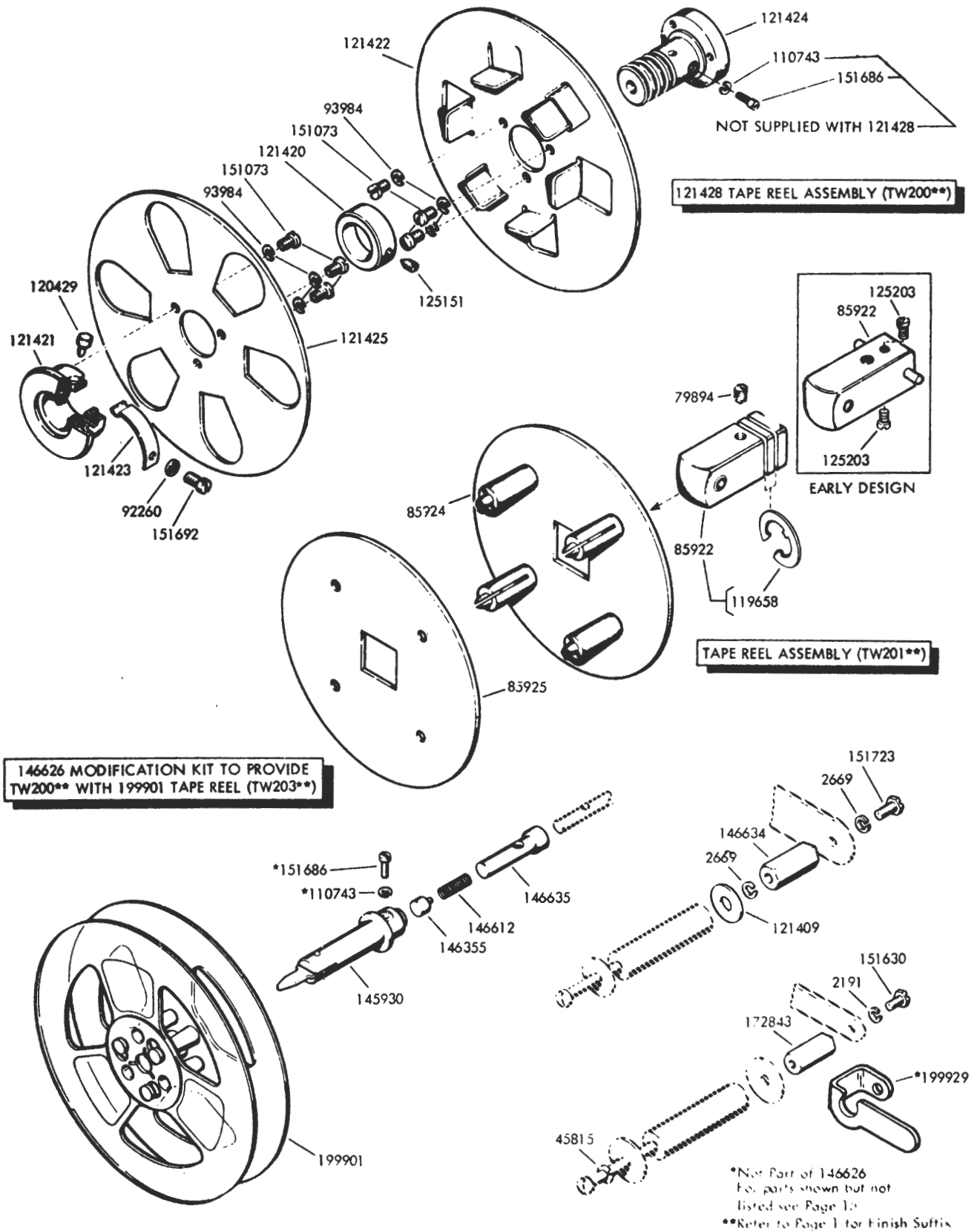
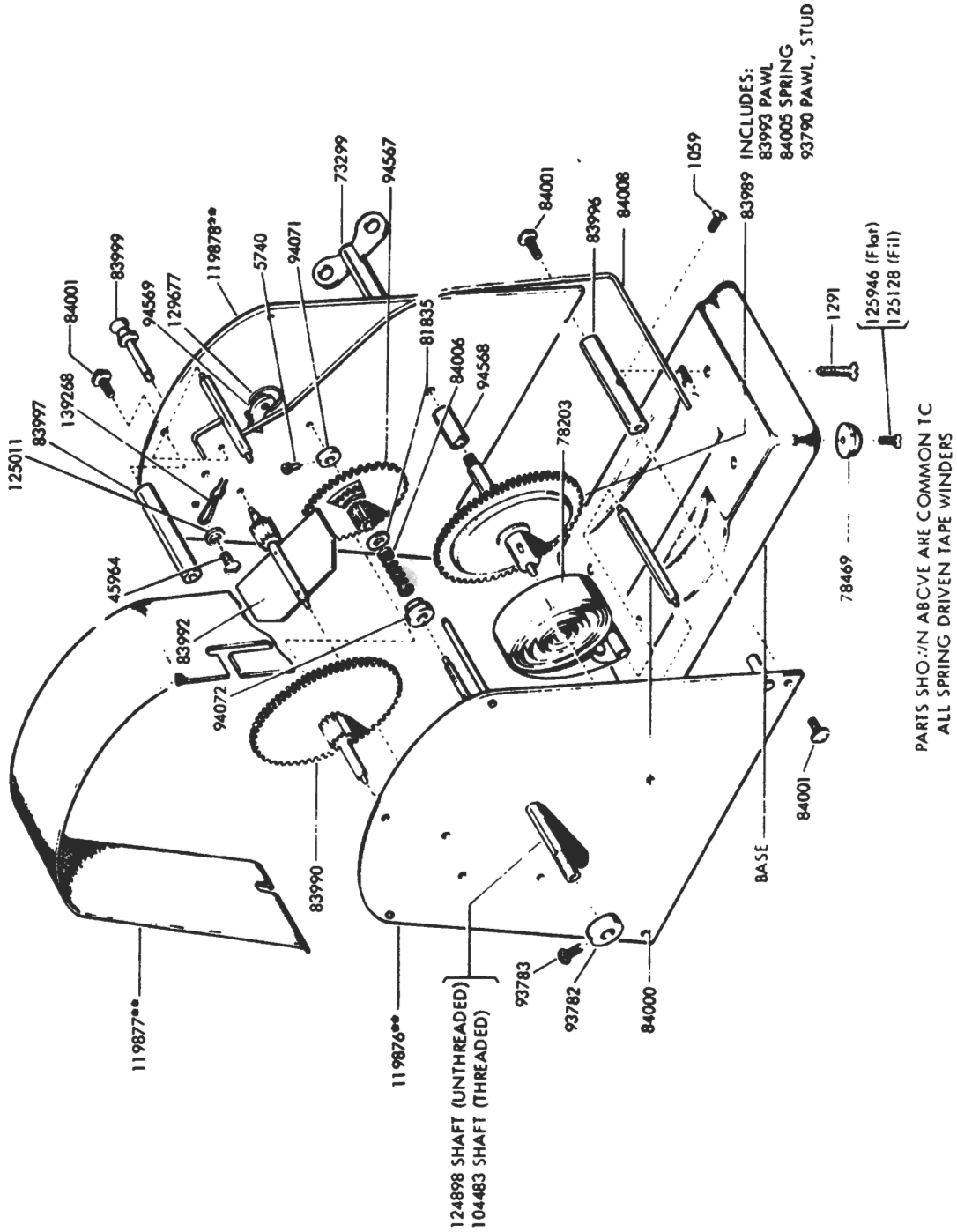


FIGURE 13. TAPE REEL ASSEMBLIES FOR SINGLE REEL TAPE WINDERS



**Refer to Page 1 for Finish Suffix

FIGURE 14. BASE AND BRACKETS FOR SPRING DRIVEN TAPE WINDERS

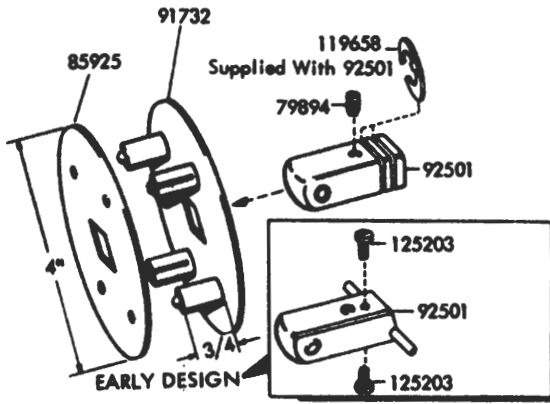


FIGURE 15. 4" REEL FOR 11/16" TAPE (Spring Driven)

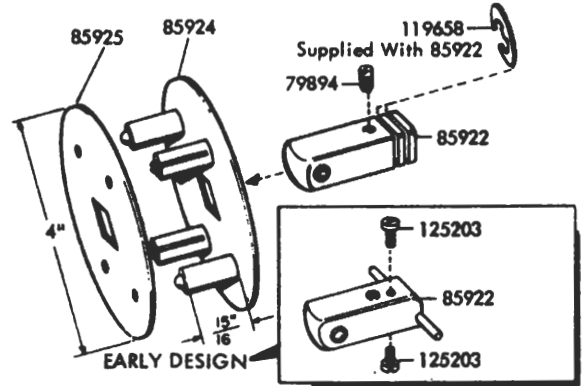


FIGURE 16. 4" REEL FOR 11/16" AND 7/8" TAPE (Spring Driven)

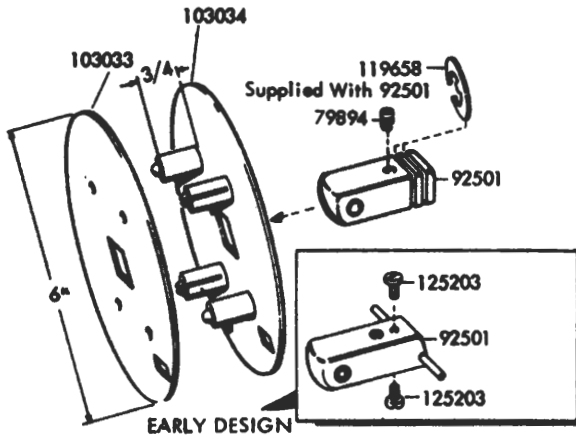
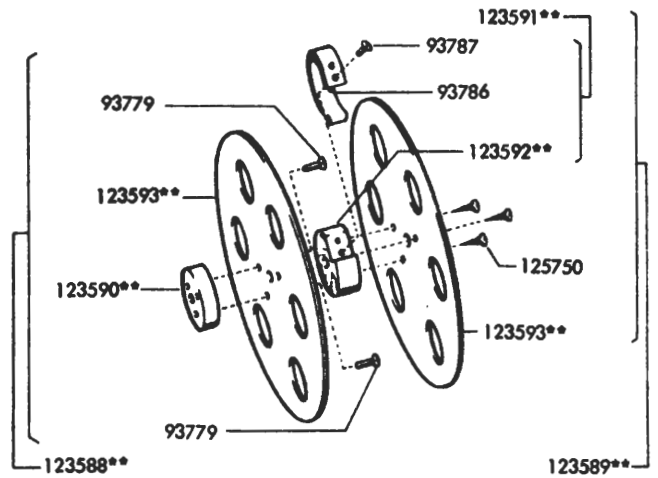


FIGURE 17. 6" REEL FOR 11/16" TAPE (Spring Driven)



**Refer to Page 1 for Finish Suffix

FIGURE 18. 6" REEL FOR 3/8", 1/2" AND 11/16" TAPE (Spring Driven)

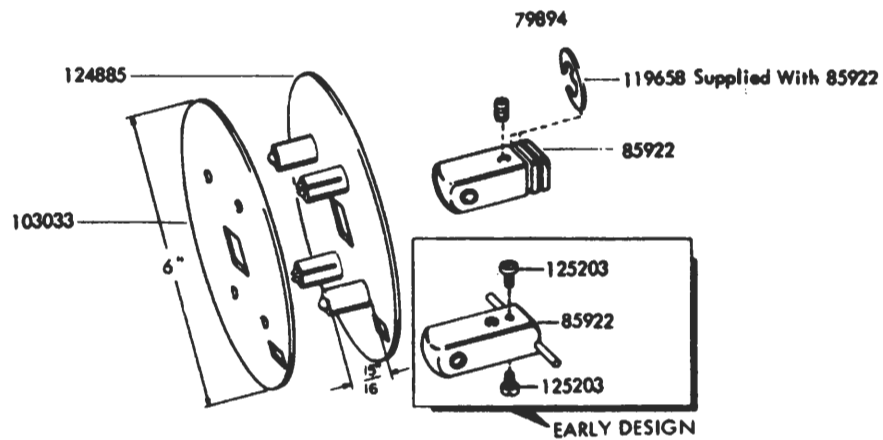


FIGURE 19. 6" REEL FOR 11/16" AND 7/8" TAPE (Spring Driven)

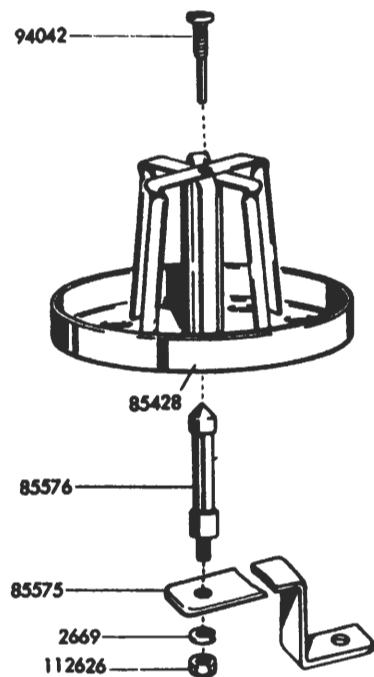


FIGURE 20. 91819 MODIFICATION KIT FOR APPLYING CENTER UNWIND REEL (SPRING DRIVEN)

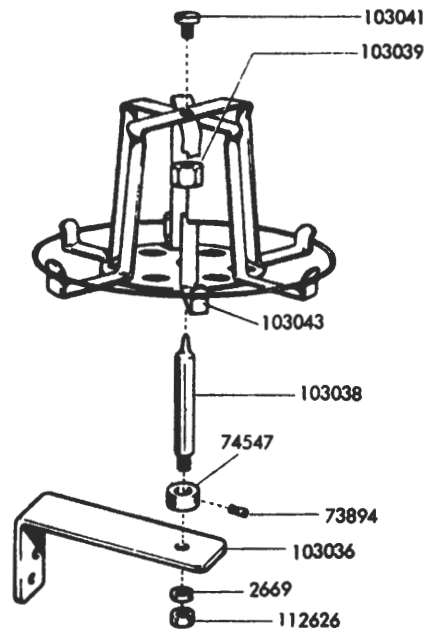
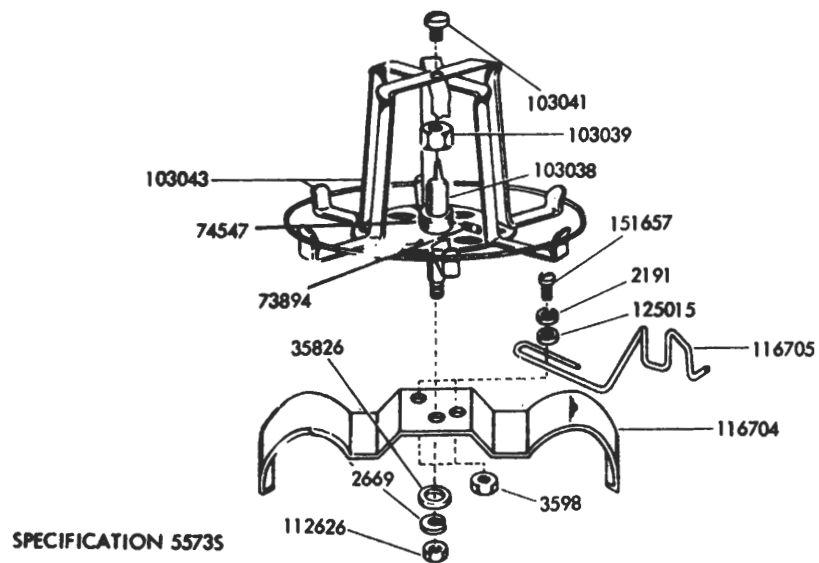
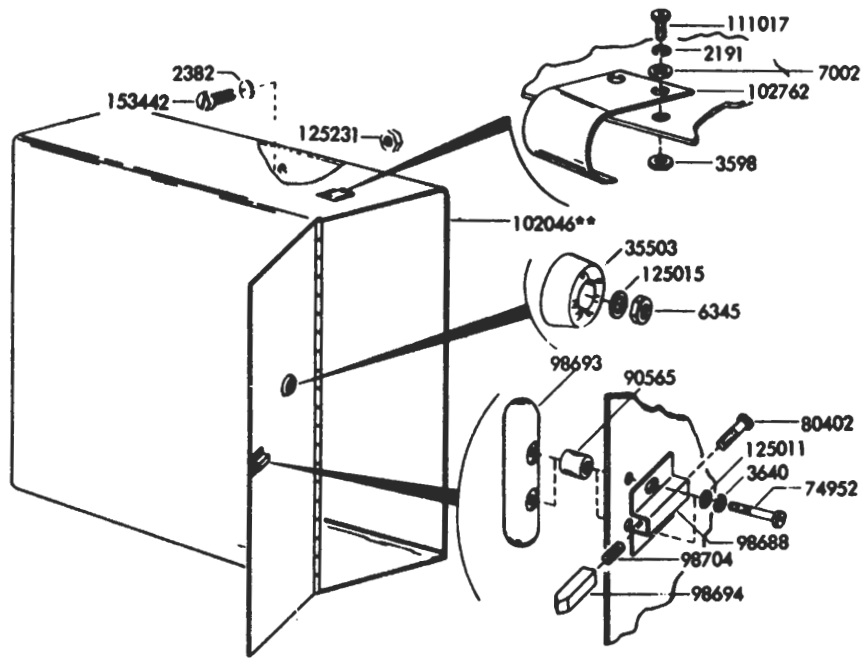


FIGURE 21. 103035 MODIFICATION KIT FOR APPLYING CENTER UNWIND REEL (SPRING DRIVEN)

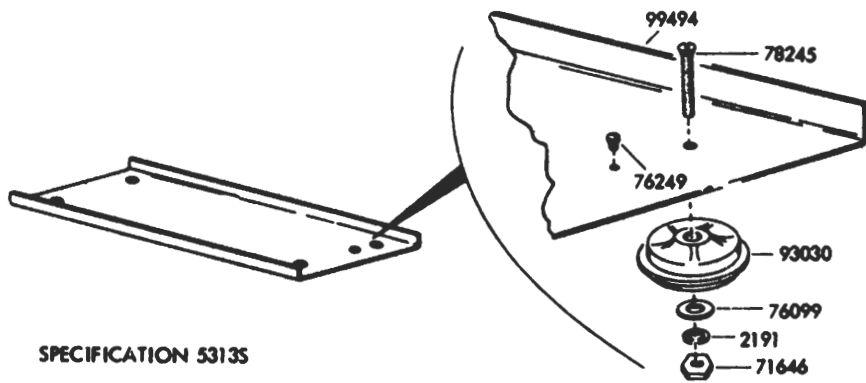


SPECIFICATION 55735

FIGURE 22. 114189 MODIFICATION KIT FOR APPLYING CENTER UNWIND REEL
(Used on a 14 Type Transmitter Distributor Cover)



118834** TAPE WINDER CABINET ASSEMBLY



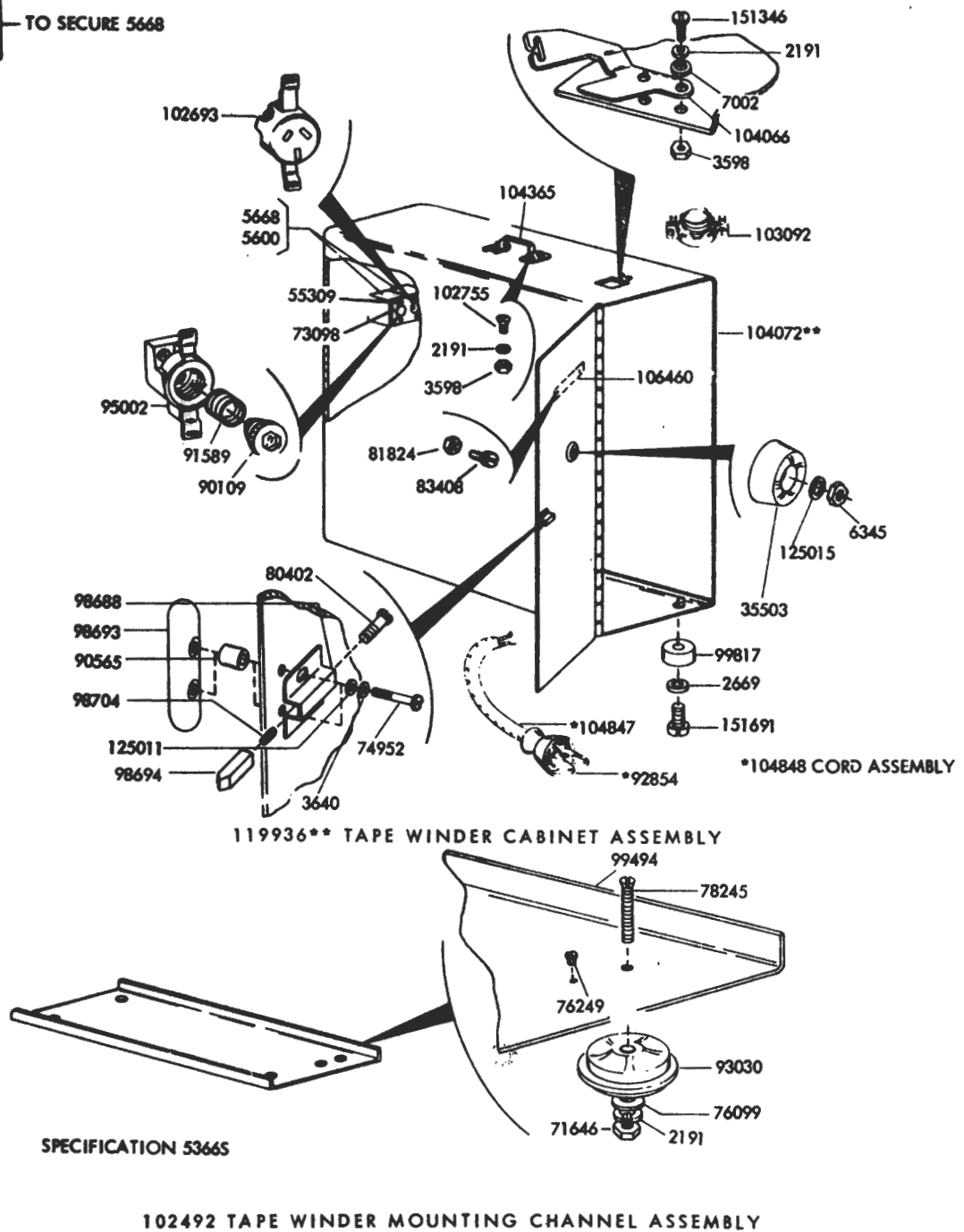
SPECIFICATION 5313S

102492 TAPE WINDER MOUNTING CHANNEL ASSEMBLY

** Refer to Page 1 for Finish Suffix

FIGURE 23. 115725** MODIFICATION KIT TO PROVIDE MEANS FOR MOUNTING A MOTOR DRIVEN SINGLE REEL TAPE WINDER TO LEFT SIDE OF TABLE

8330
2382 } TO SECURE 5668
125231



** Refer to Page 1 for Finish Suffix

FIGURE 24. 115743** MODIFICATION KIT TO PROVIDE MEANS FOR HOUSING A MOTOR DRIVEN SINGLE REEL TAPE WINDER AT THE LEFT SIDE OF THE TABLE

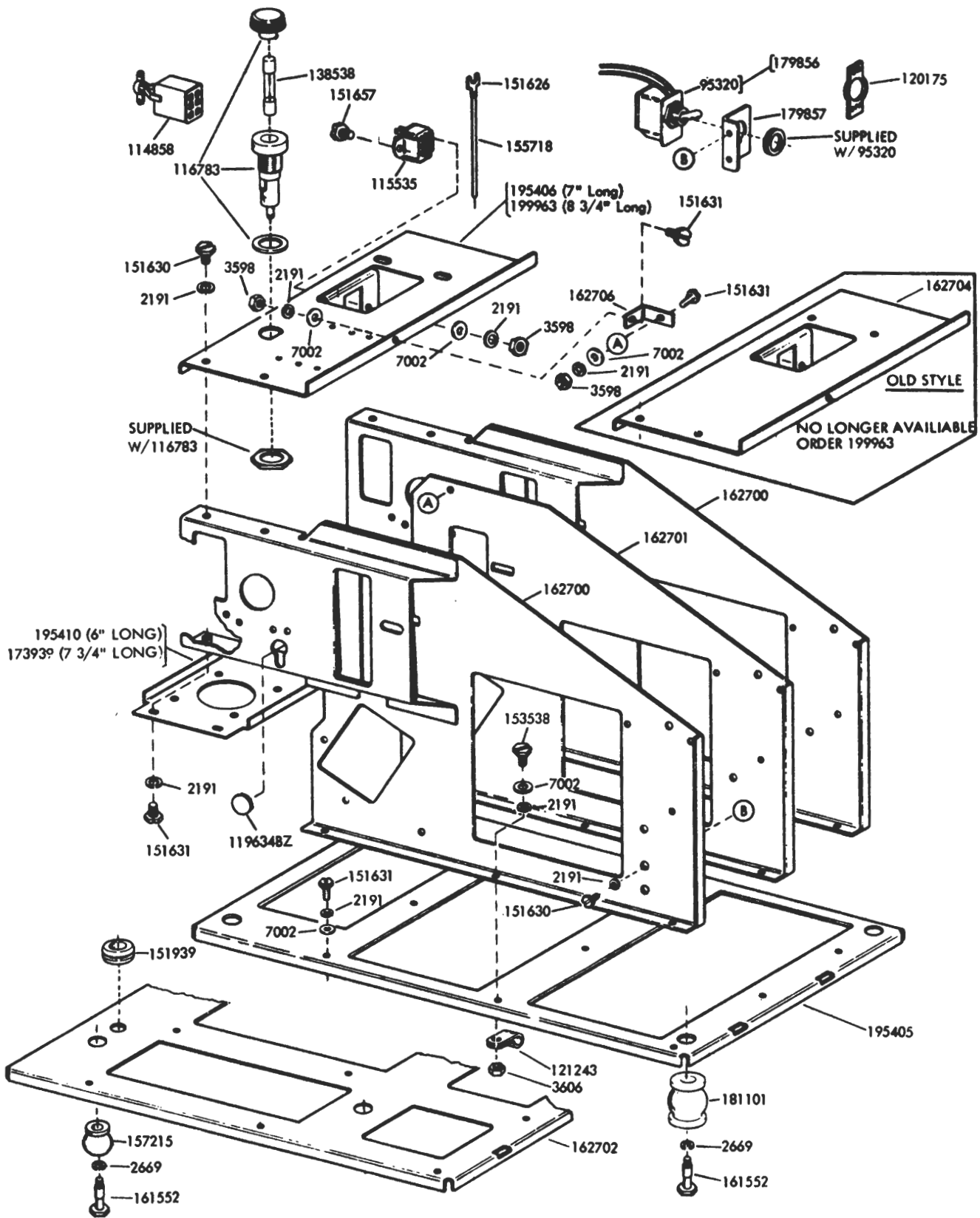
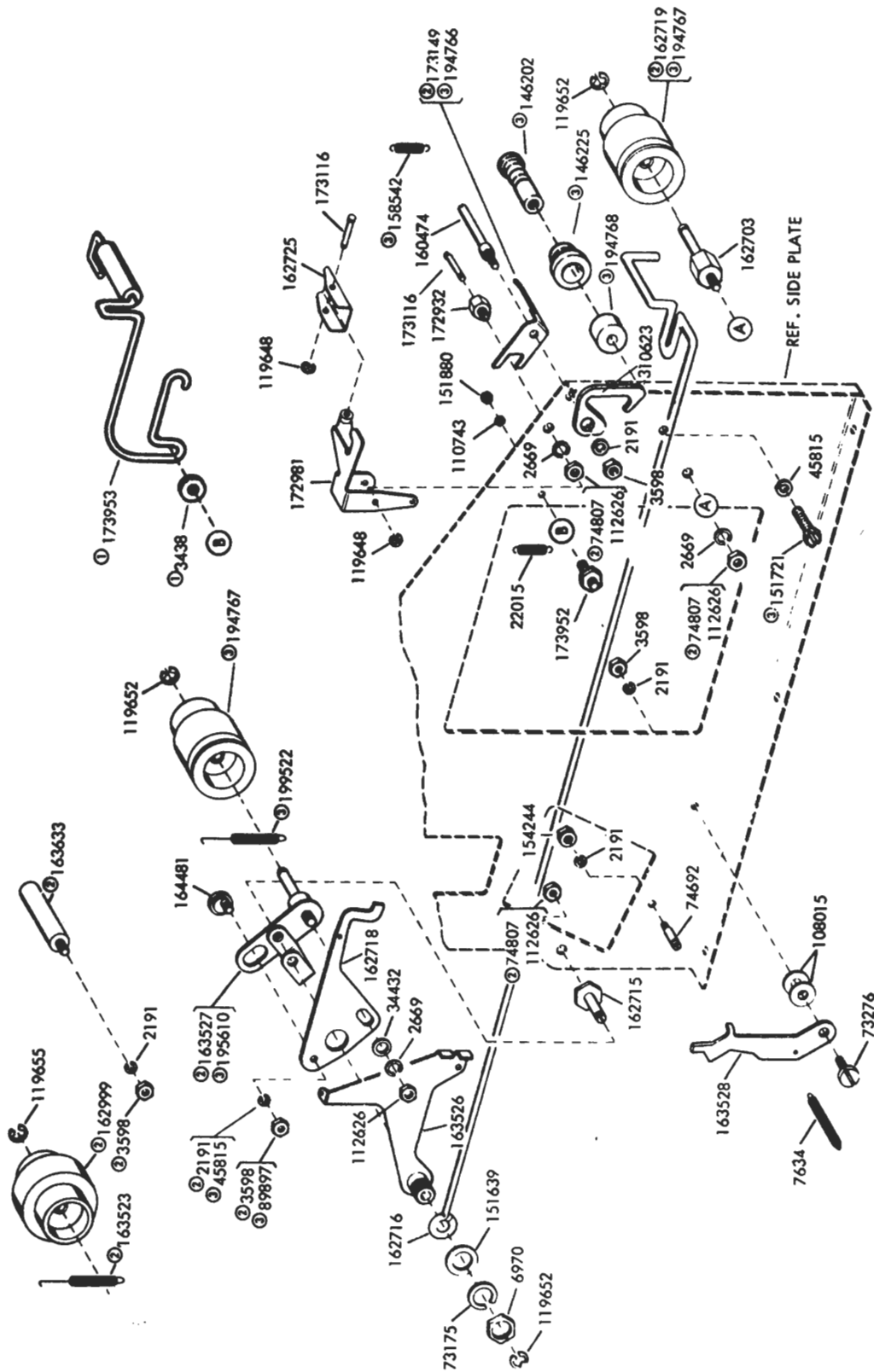


FIGURE 25. BASE AND BRACKET MECHANISM FOR TRIPLE REEL TAPE WINDERS (Motor Driven)



- ① Required when winder accommodates reperfactors installed on lower shelf of cabinet.
- ② Will accommodate up to 11/16" tape
- ③ Will accommodate 11/16", 7/8", 1" tape

FIGURE 26. TAPE GUIDES AND ROLLERS

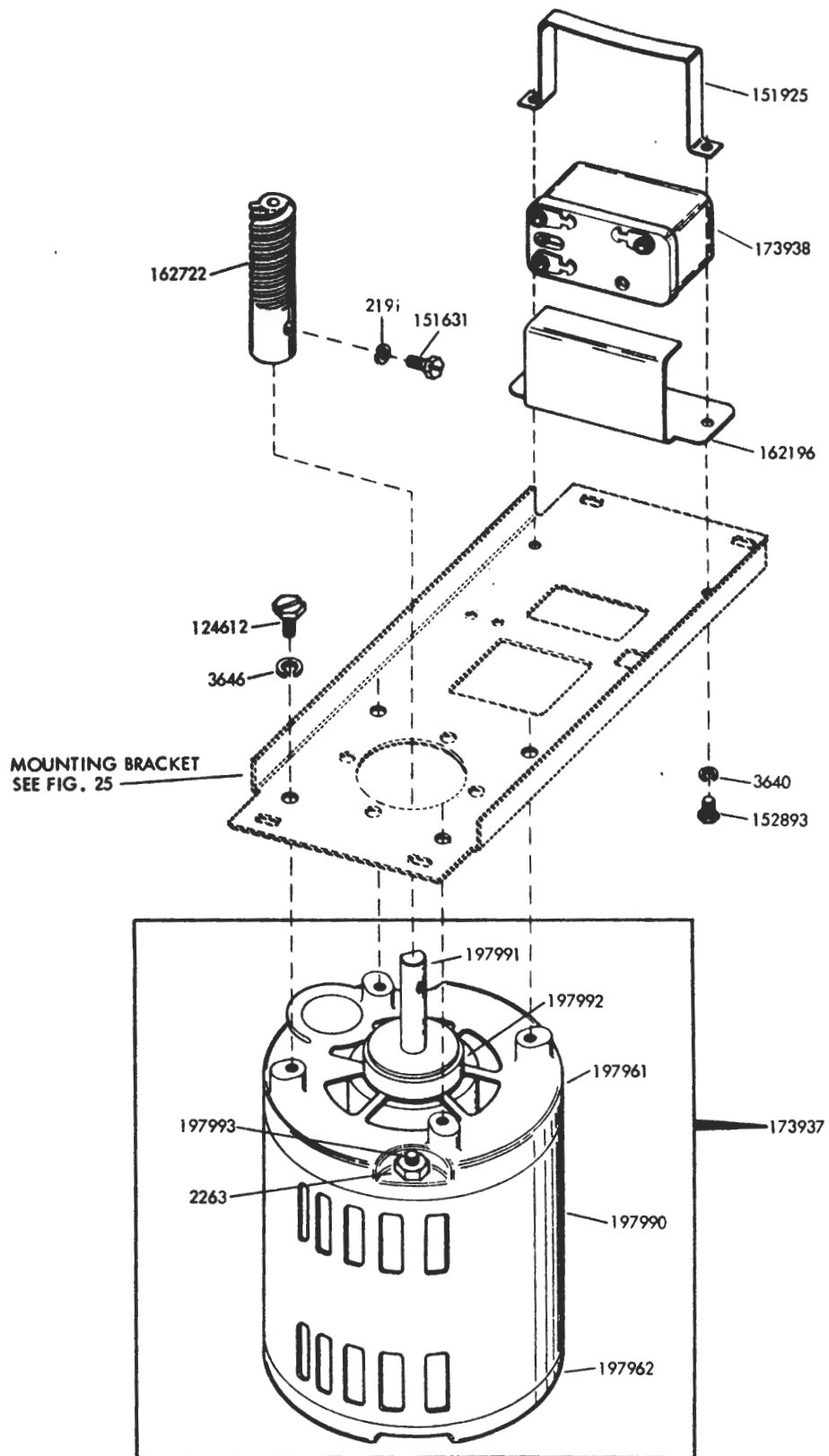


FIGURE 28. MOTOR AND RELAY

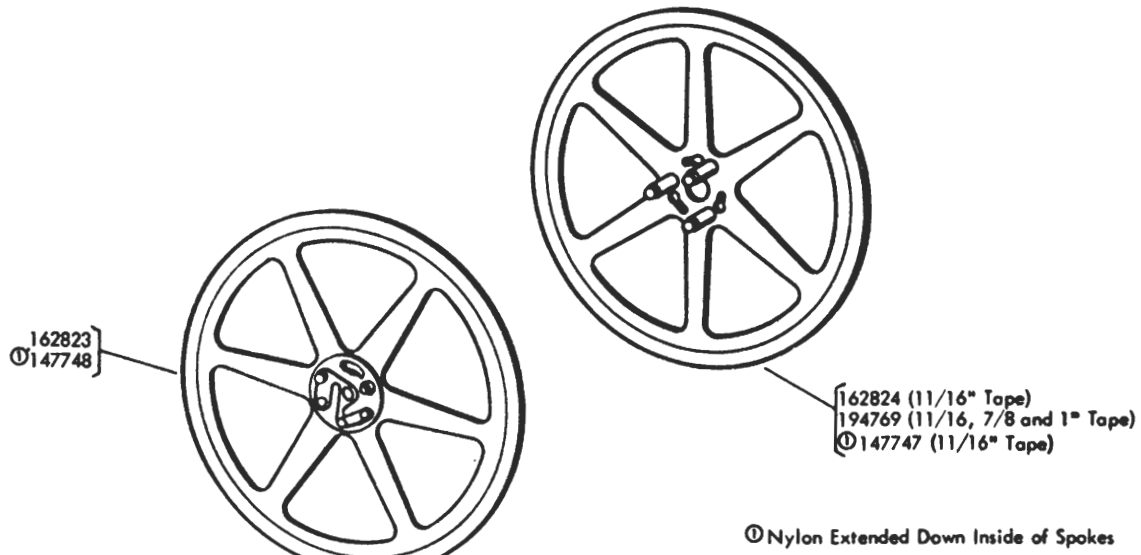


FIGURE 29. TAPE REELS

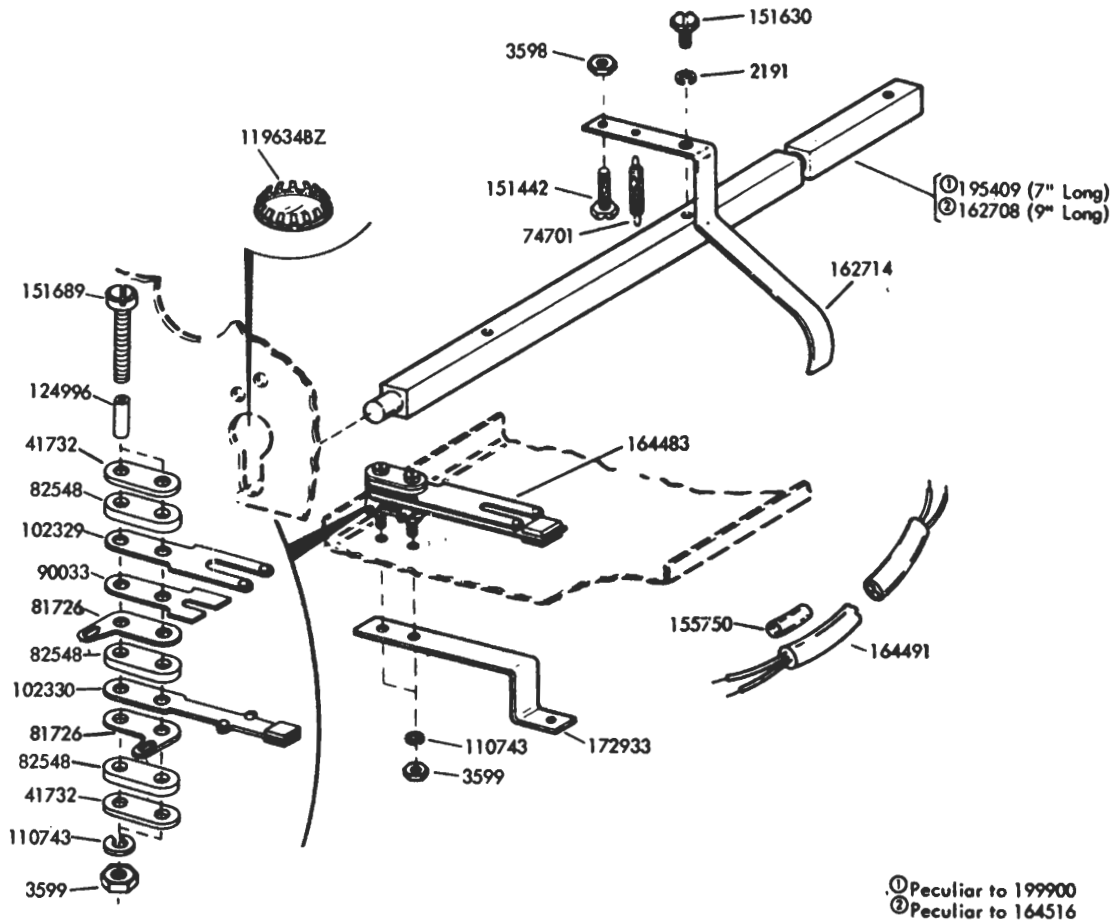


FIGURE 30. 199900 AND 164516 MODIFICATION KITS TO PROVIDE REEL FULL ALARM

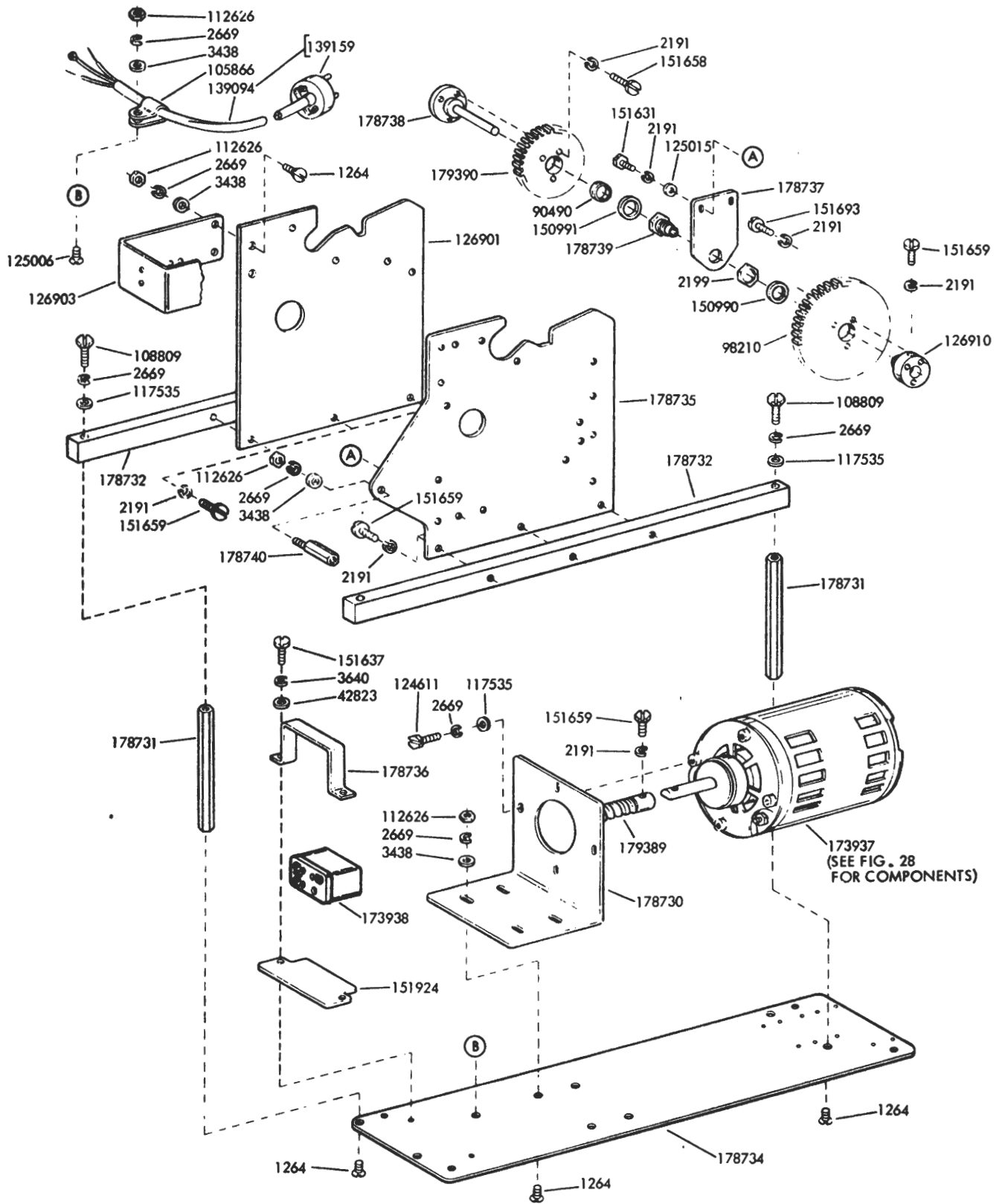
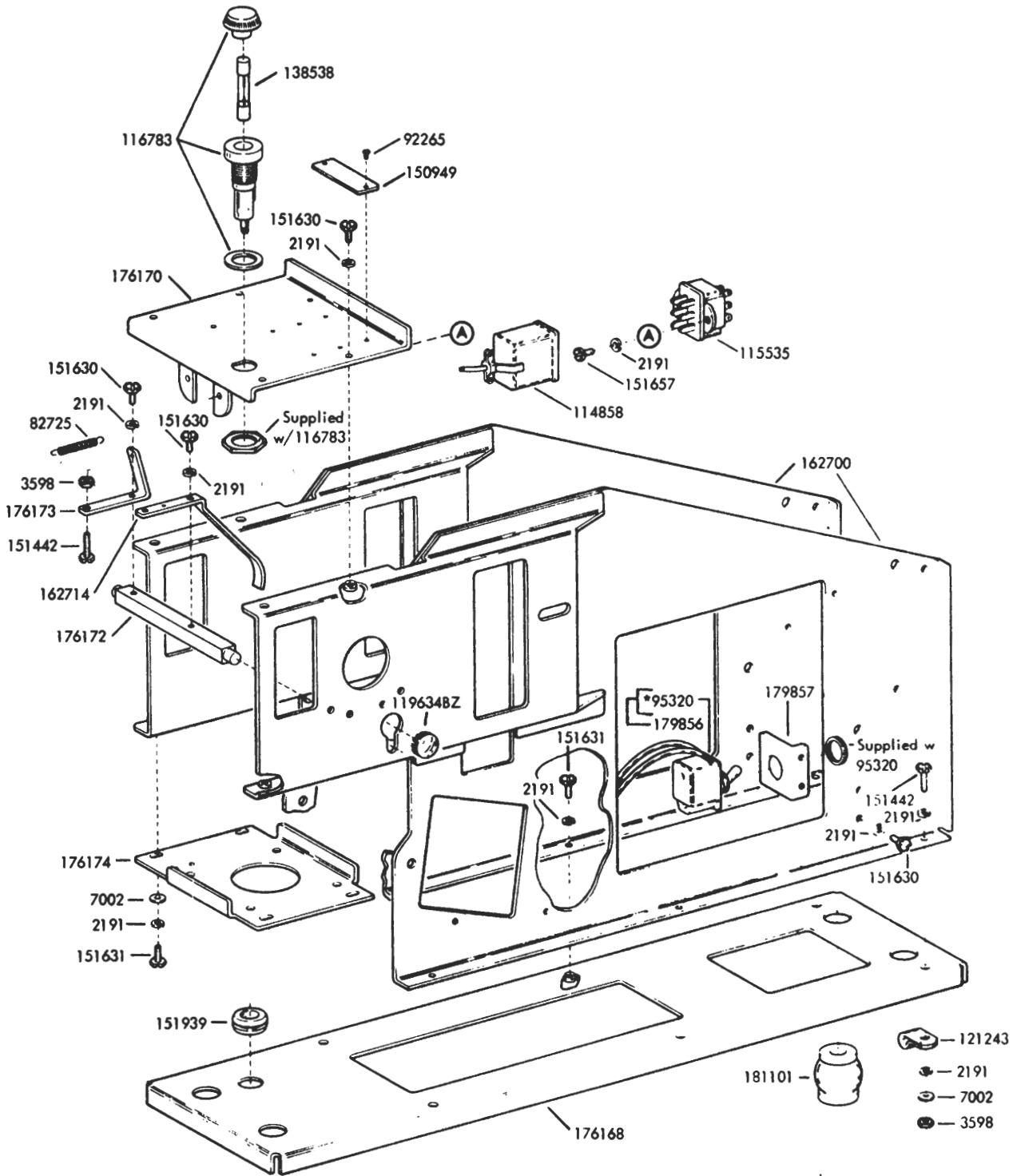


FIGURE 31. SINGLE REEL MOTOR DRIVEN TAPE WINDER



*PART OF 179856 CABLE ASSEMBLY

FIGURE 32. BASE AND BRACKETS FOR SINGLE REEL TAPE WINDERS
(Motor Driven)

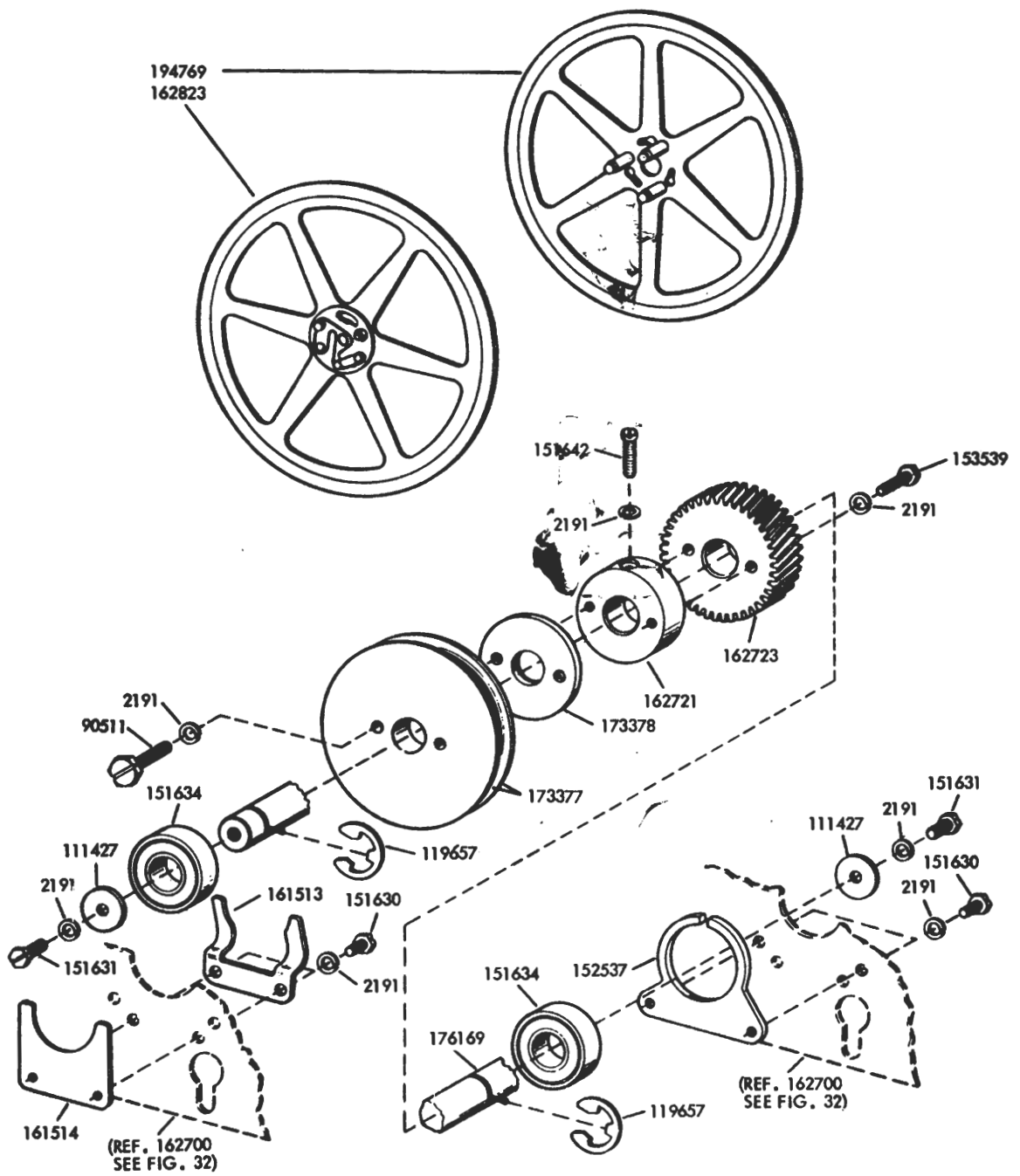


FIGURE 33. TAPE REEL AND SHAFT MECHANISM FOR SINGLE REEL TAPE WINDERS

(Motor Driven)

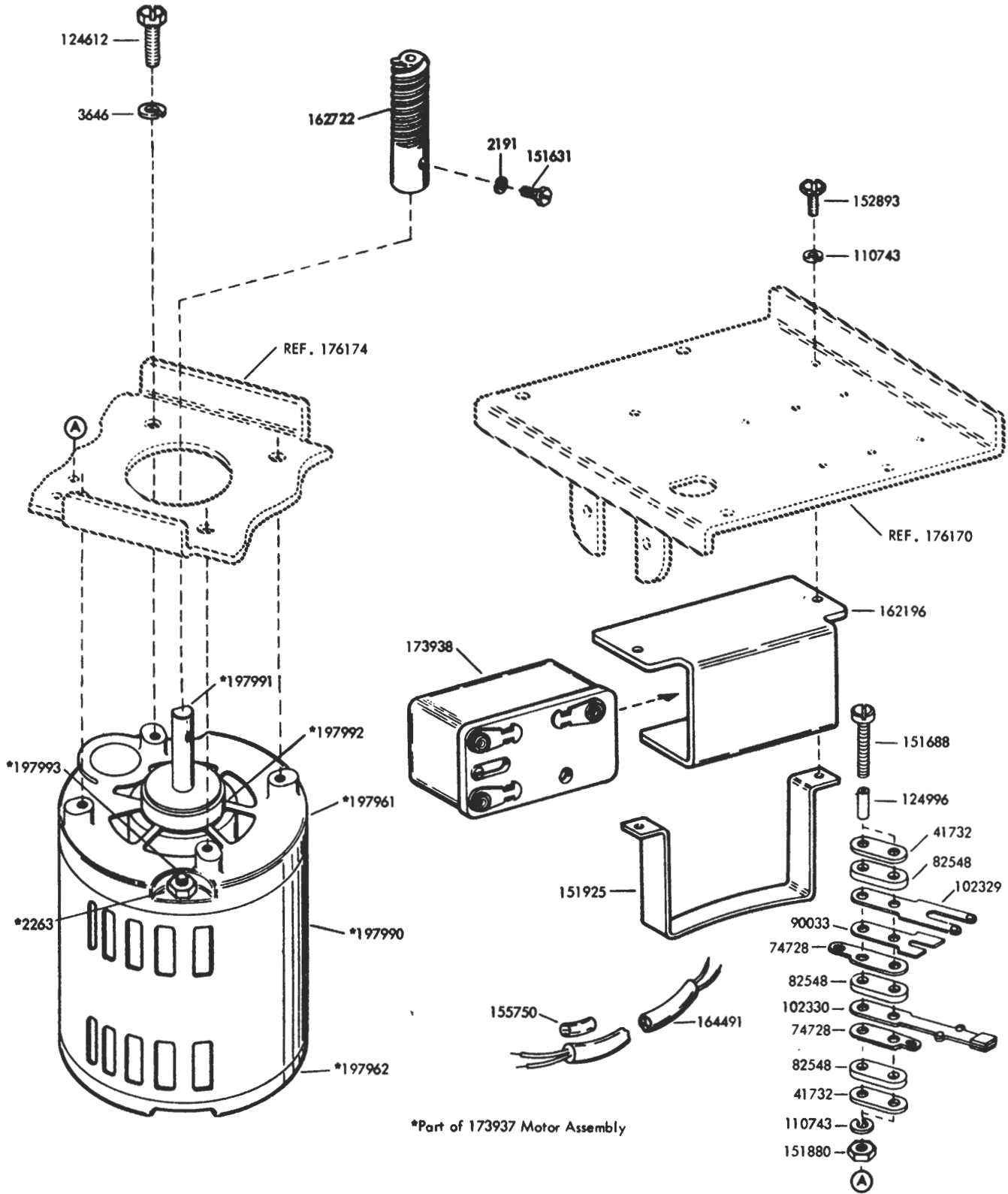


FIGURE 34. MOTOR AND RELAY

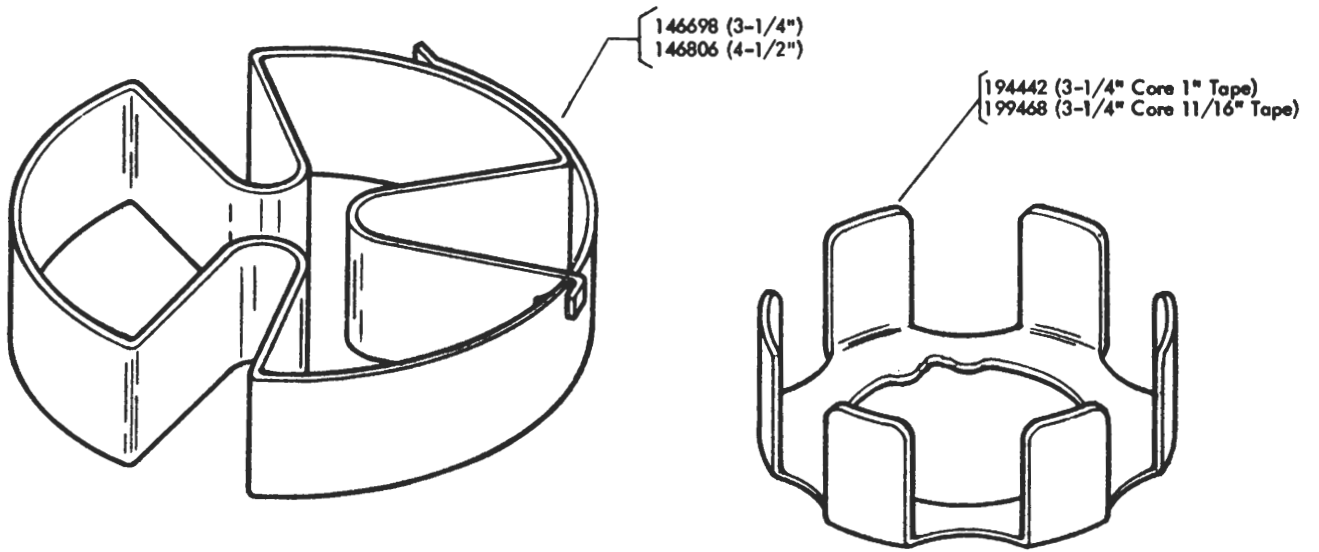


FIGURE 35. TAPE REEL ADAPTERS

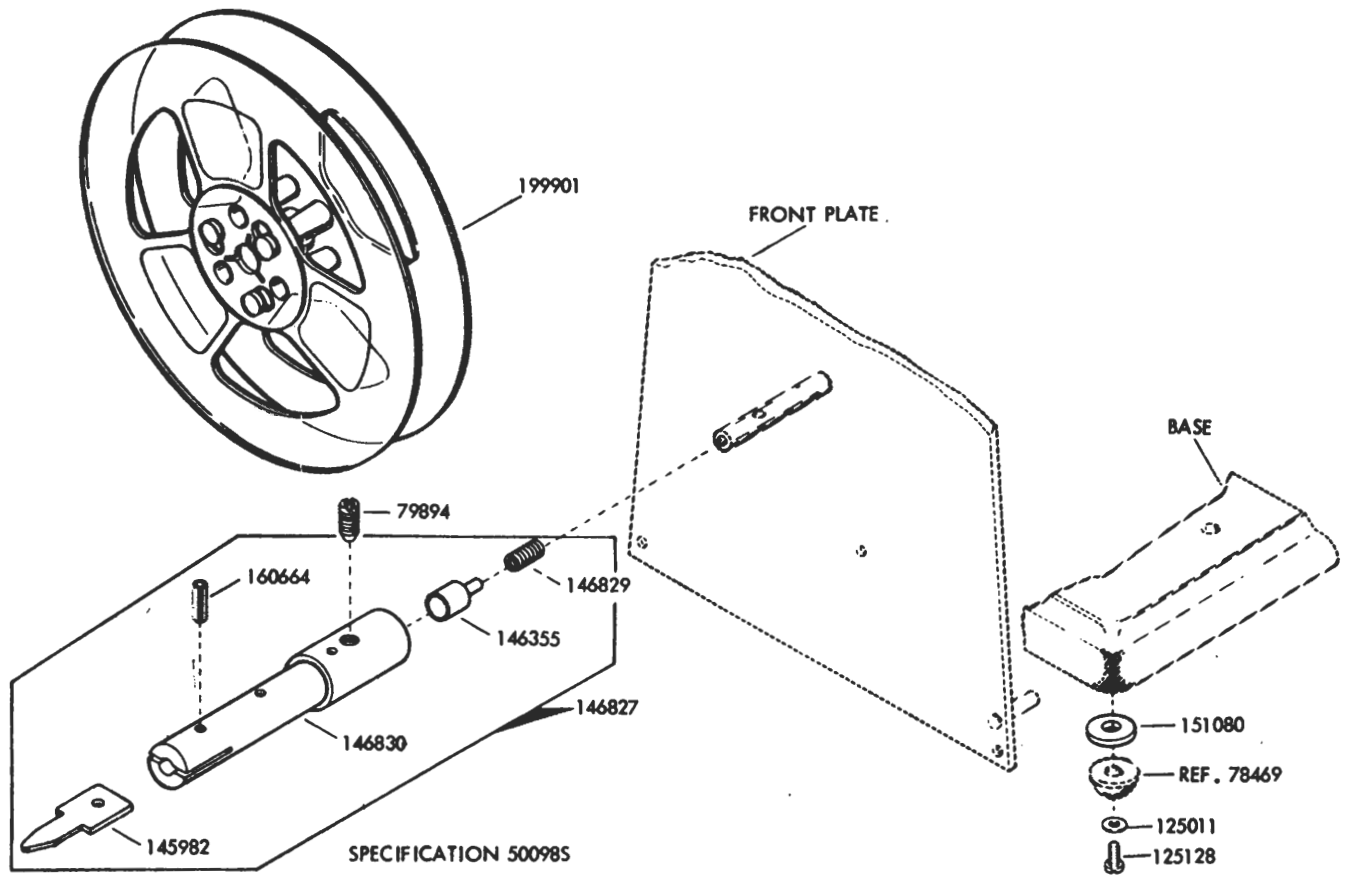
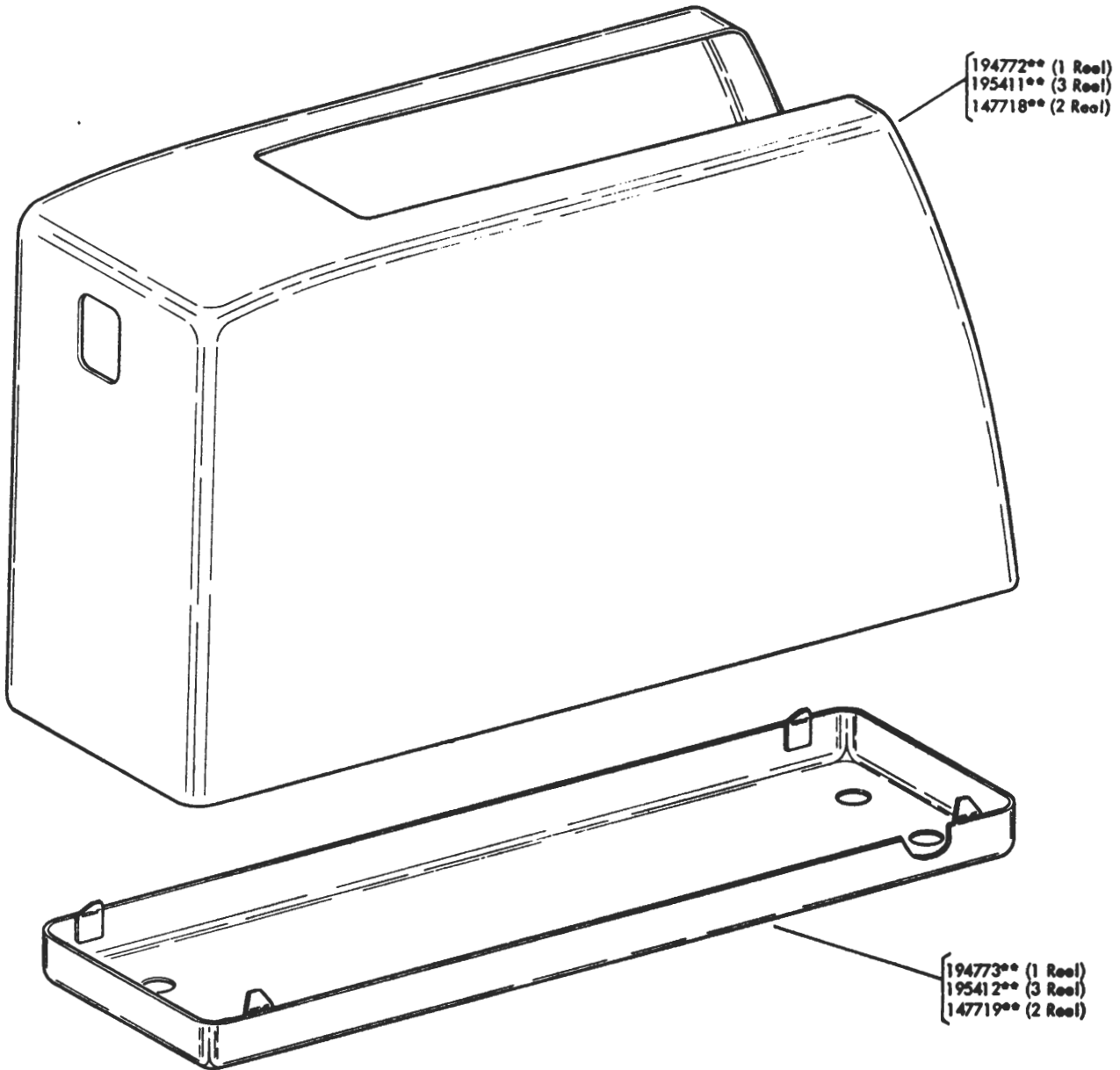


FIGURE 36. 146822 MODIFICATION KIT TO ADAPT SPRING DRIVEN TAPE WINDERS WITH 199901 TAPE REEL



194770** (Specification 59765)
195105** (Specification 503155)

**Refer to Page 1 for Finish Suffix

FIGURE 37. 194770** (SINGLE REEL) AND 195105** (TRIPLE REEL) MODIFICATION KITS
TO PROVIDE TAPE WINDER COVERS

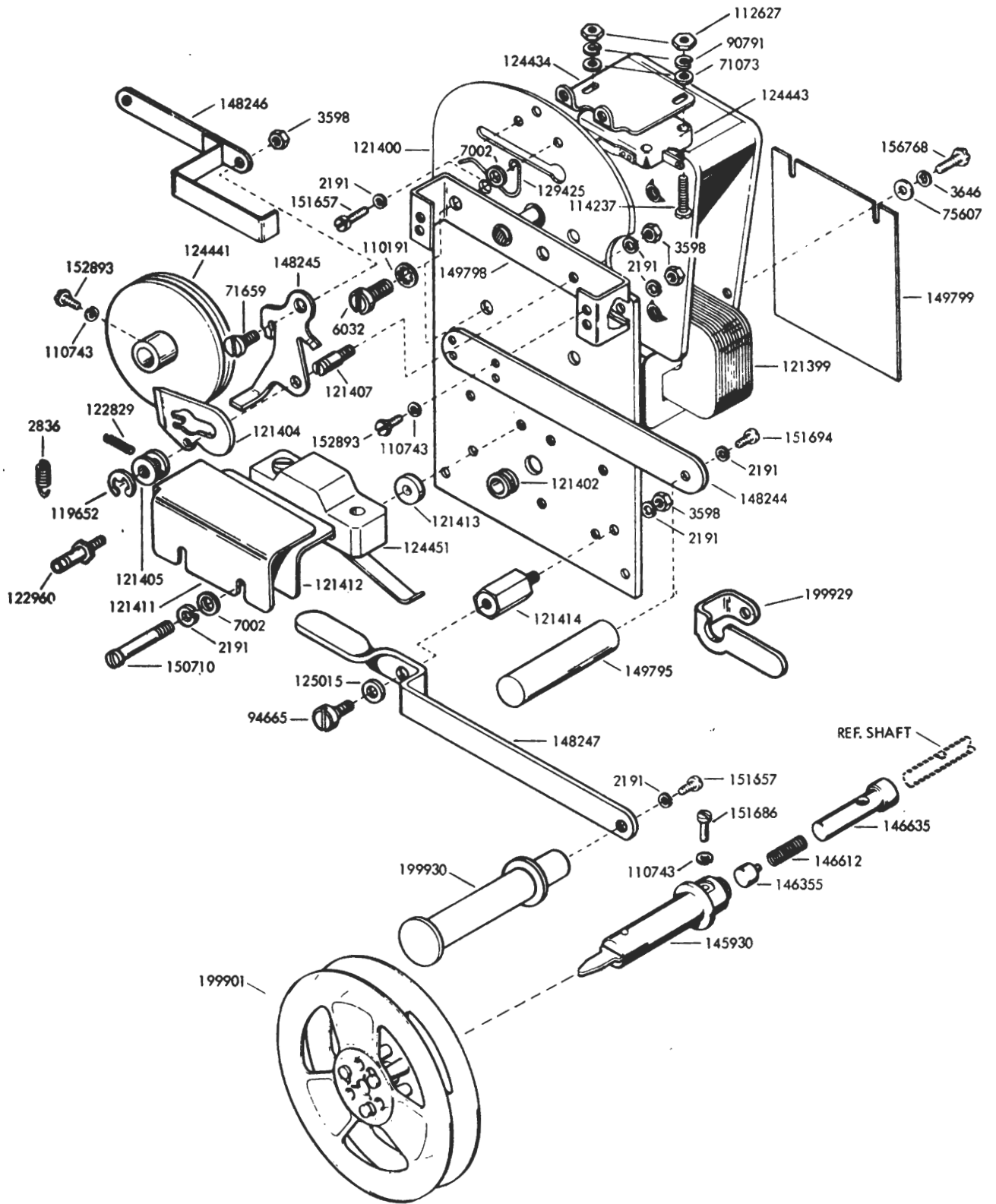
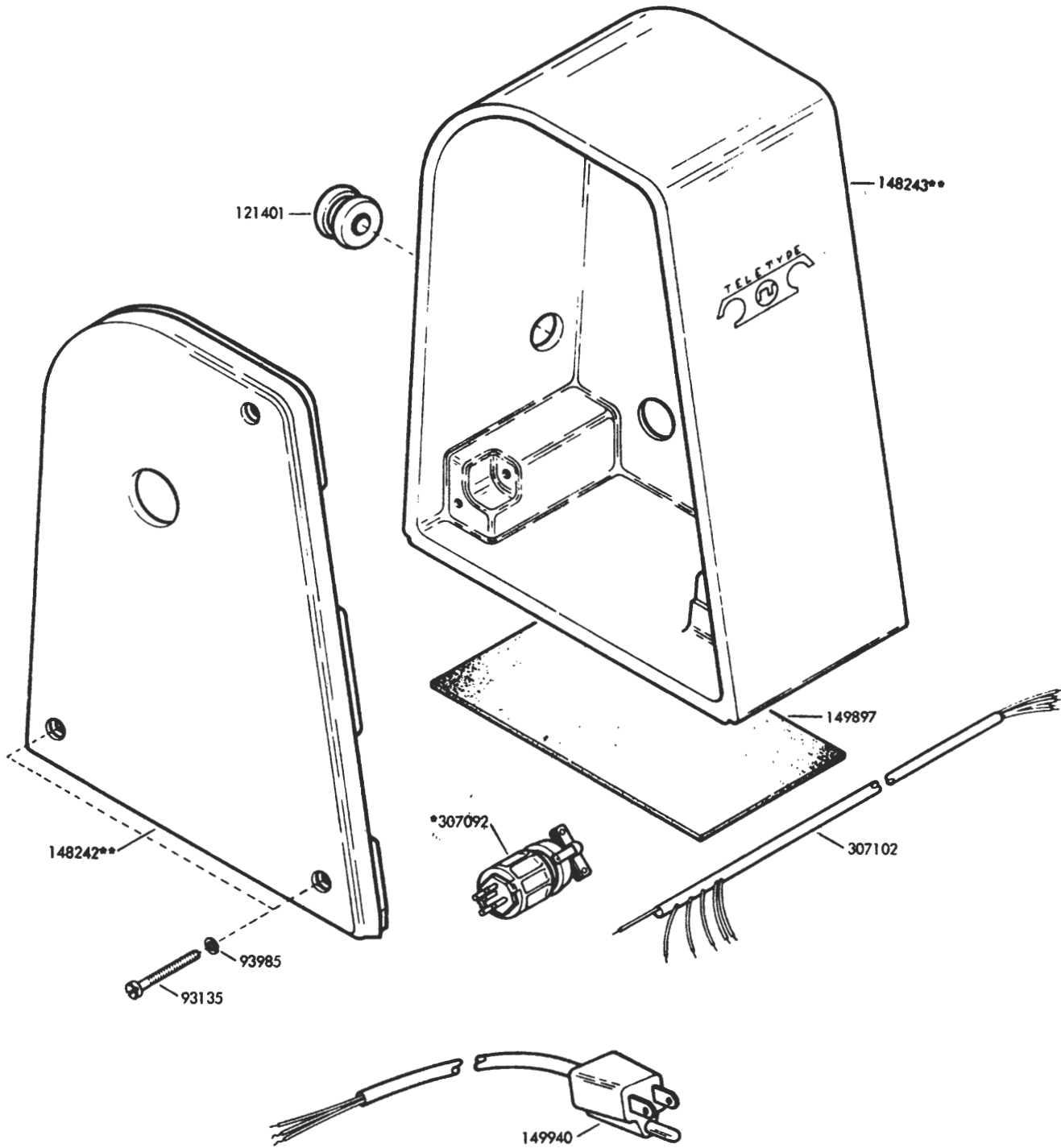


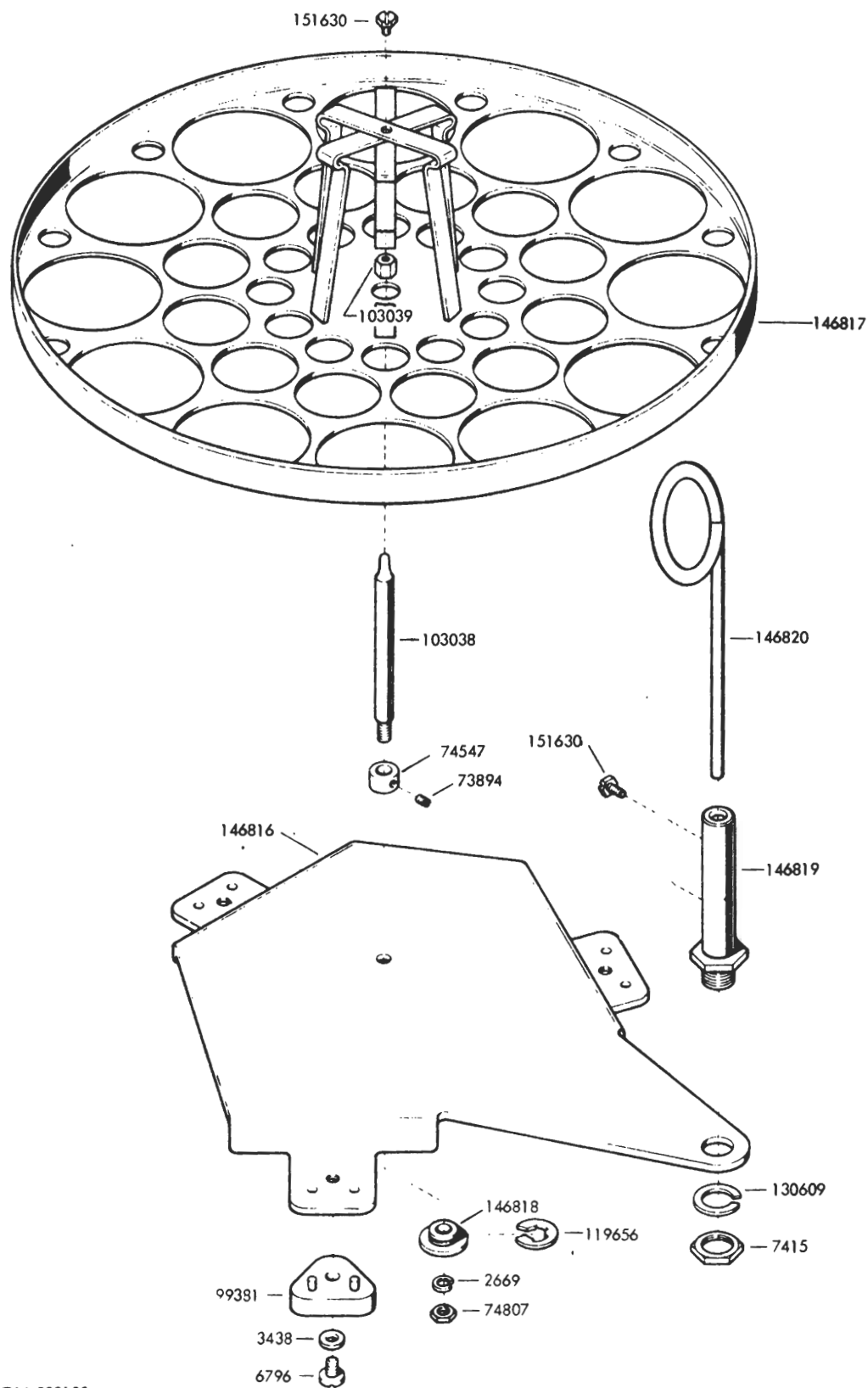
FIGURE 38. MOTOR DRIVEN TAPE WINDER (Single Reel)



*Part of 307102 Cable Assembly

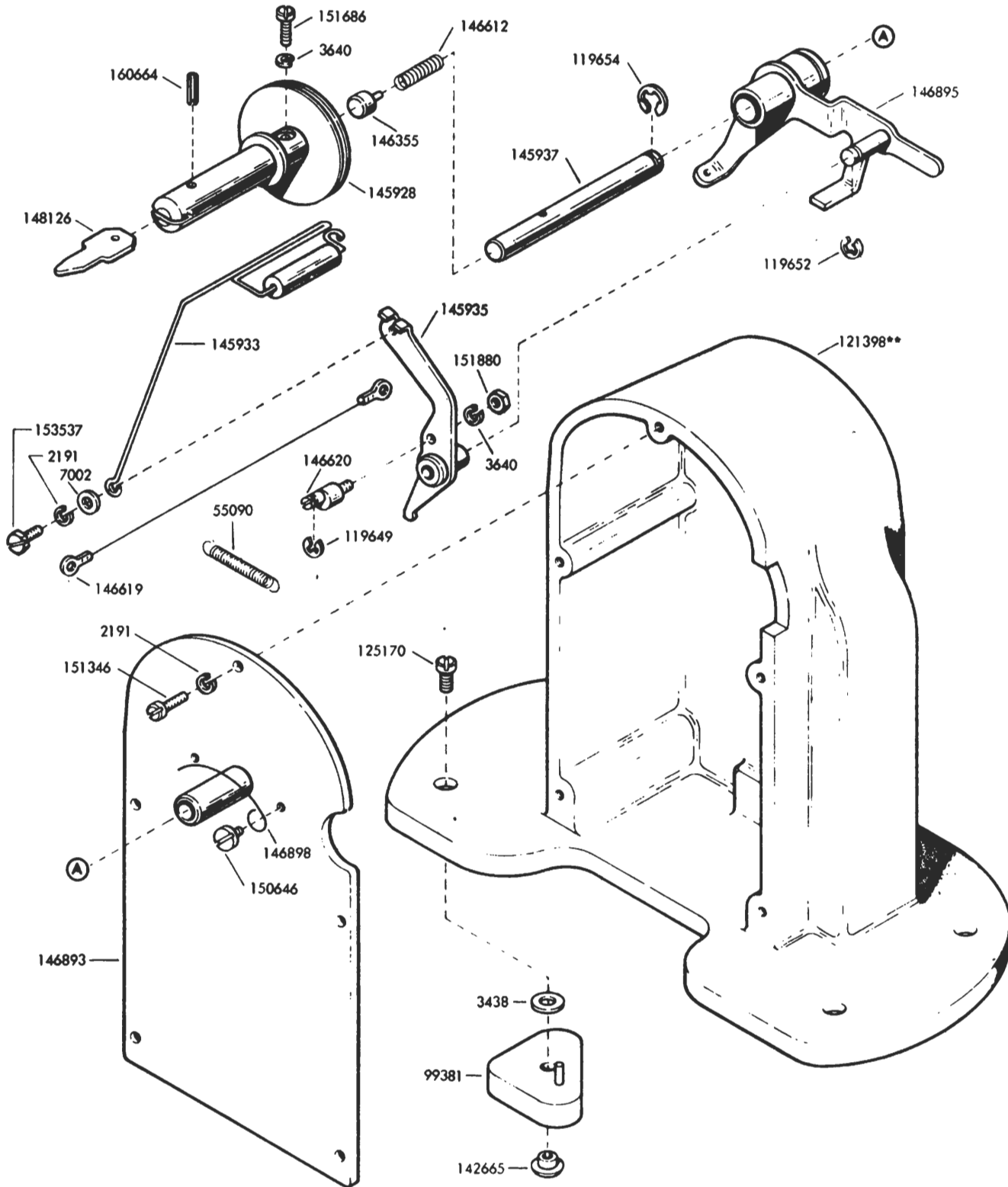
**Refer to Page 1 for Finish Suffix

FIGURE 39 HOUSING AND CABLE ASSEMBLIES FOR MOTOR DRIVEN TAPE WINDERS



SPECIFICATION 503125

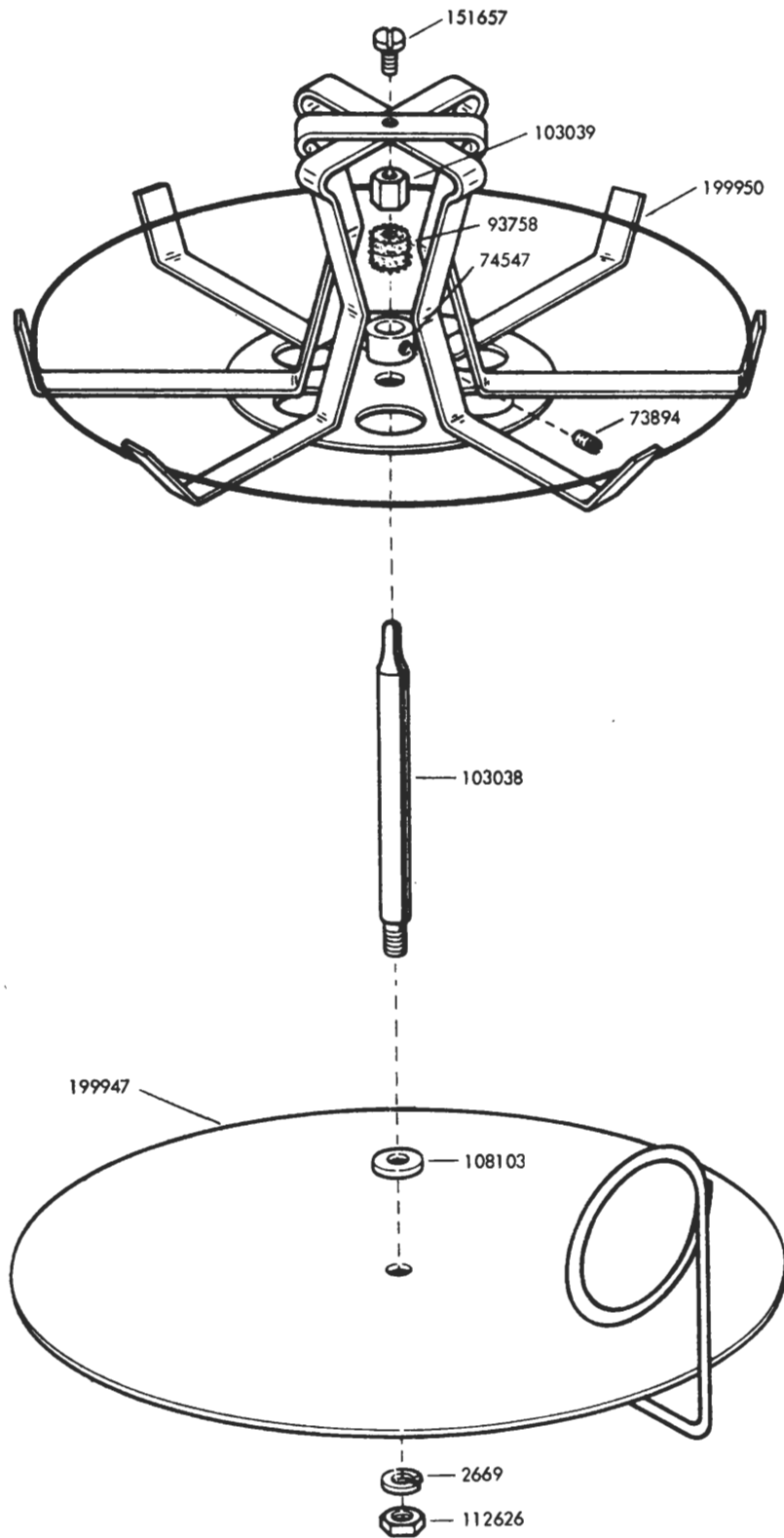
FIGURE 40. 146815 12" CENTER UNWIND REEL ASSEMBLY



SPECIFICATION 501825

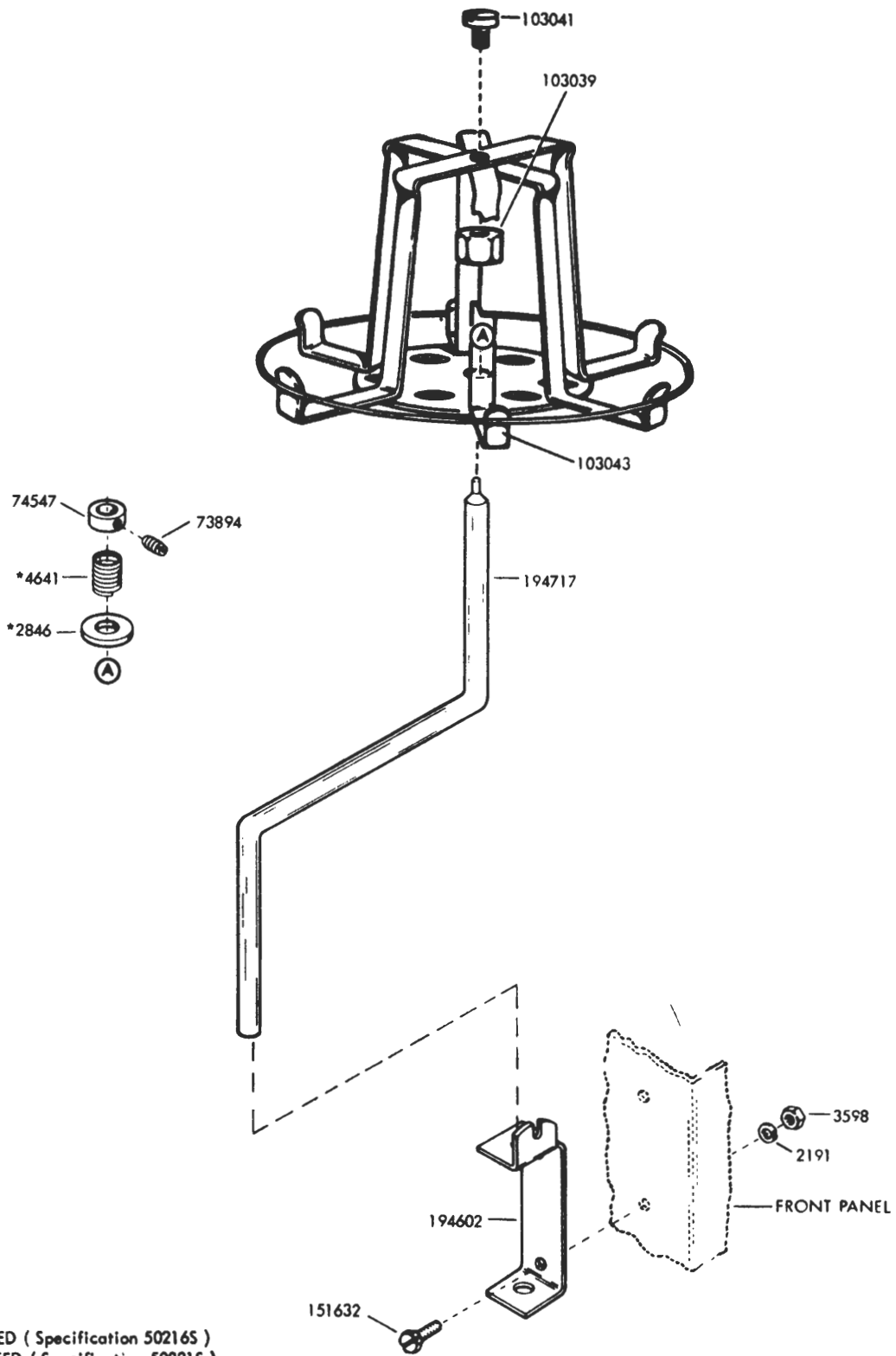
**Refer to Page 1 for Finish Suffix

FIGURE 41. 146892** TAPE UNWINDER



SPECIFICATION 503545

FIGURE 42. 199935 6" CENTER UNWINDER



194727 LOW SPEED (Specification 50216S)
198640 HIGH SPEED (Specification 50221S)

*PART OF 198640

FIGURE 43. 194727 AND 198640 MODIFICATION KITS TO PROVIDE CENTER UNWIND REEL

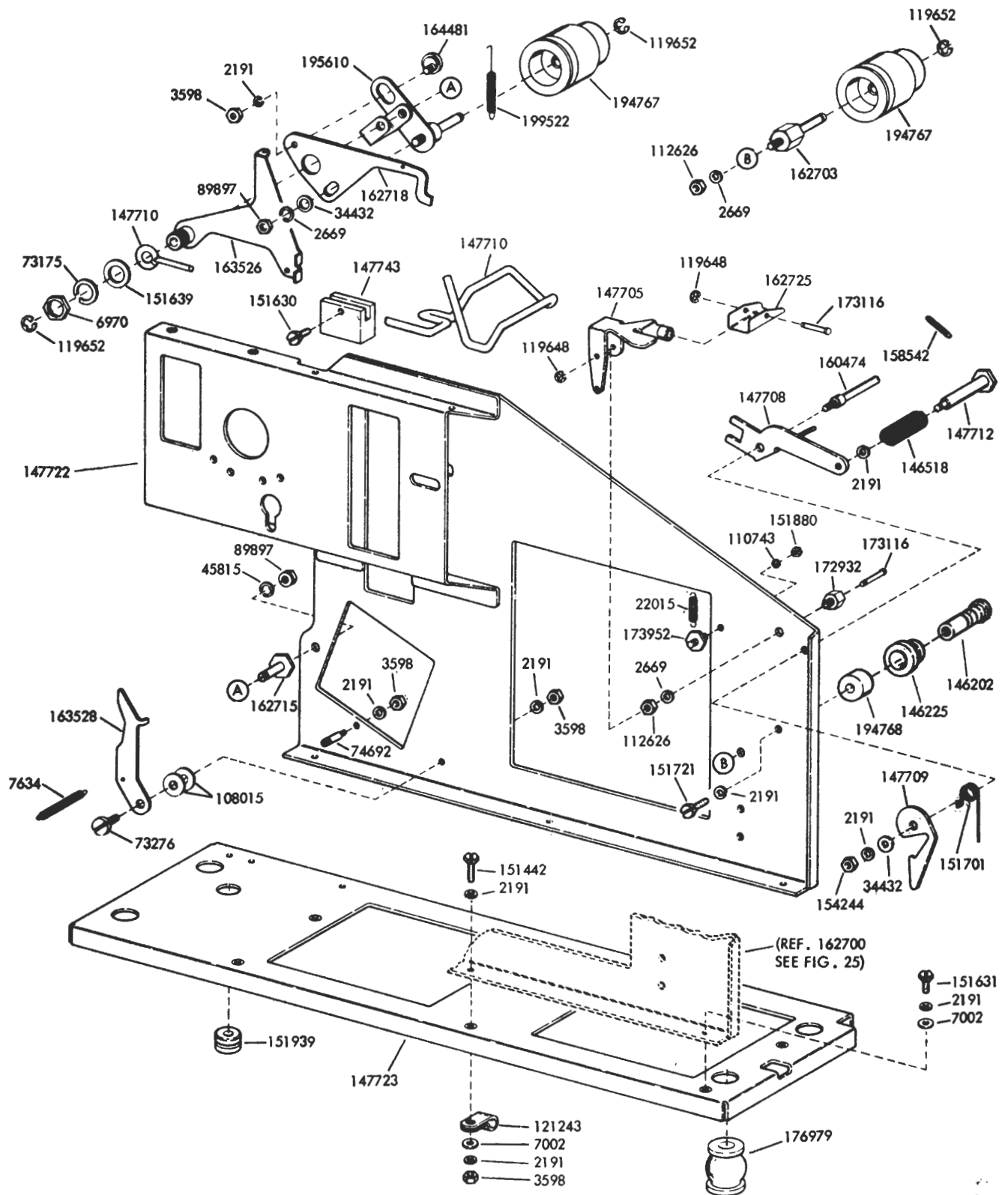


FIGURE 44. TAPE GUIDES AND ROLLERS FOR DOUBLE REEL TAPE WINDER

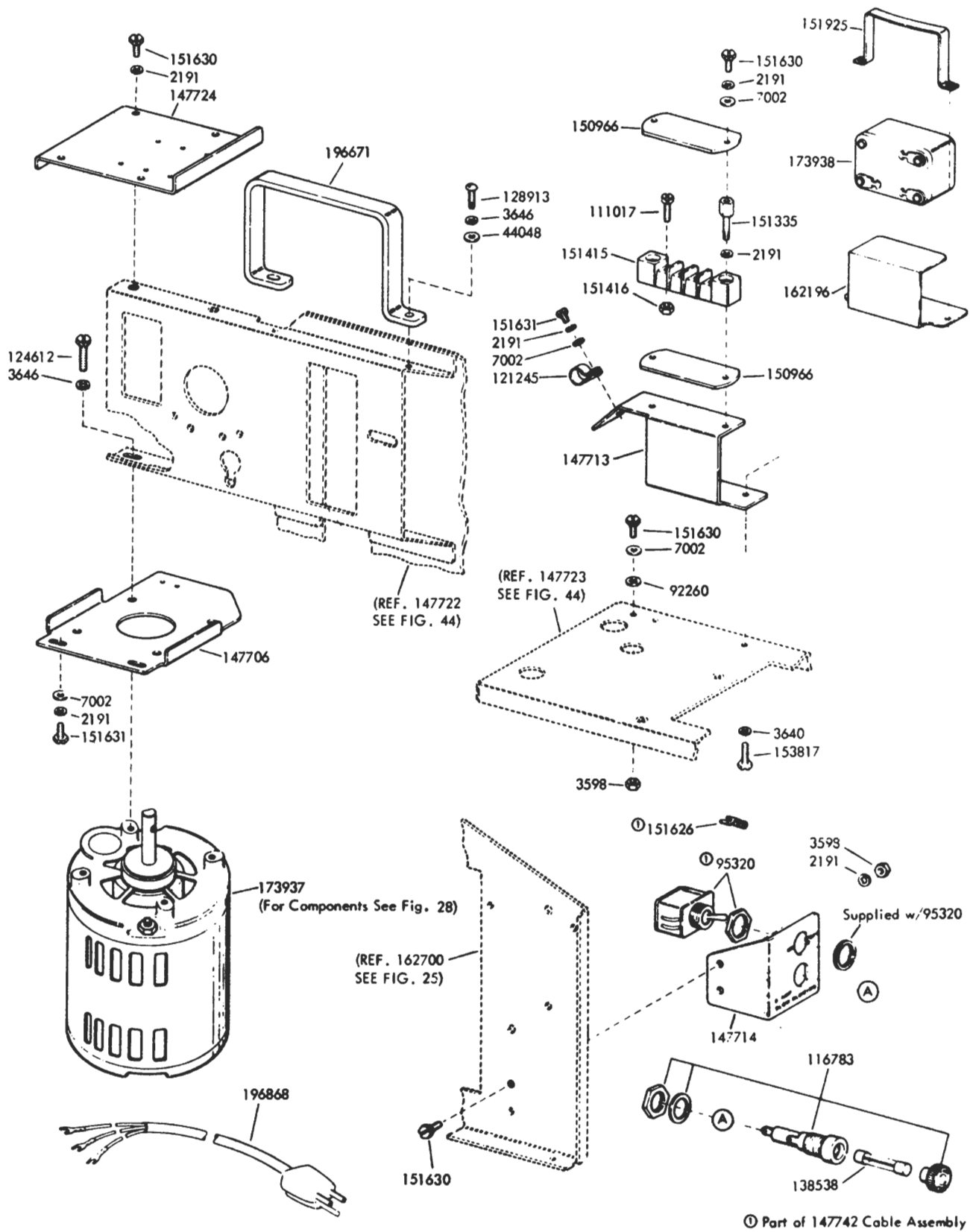


FIGURE 45. ELECTRICAL COMPONENTS FOR DOUBLE REEL TAPE WINDER

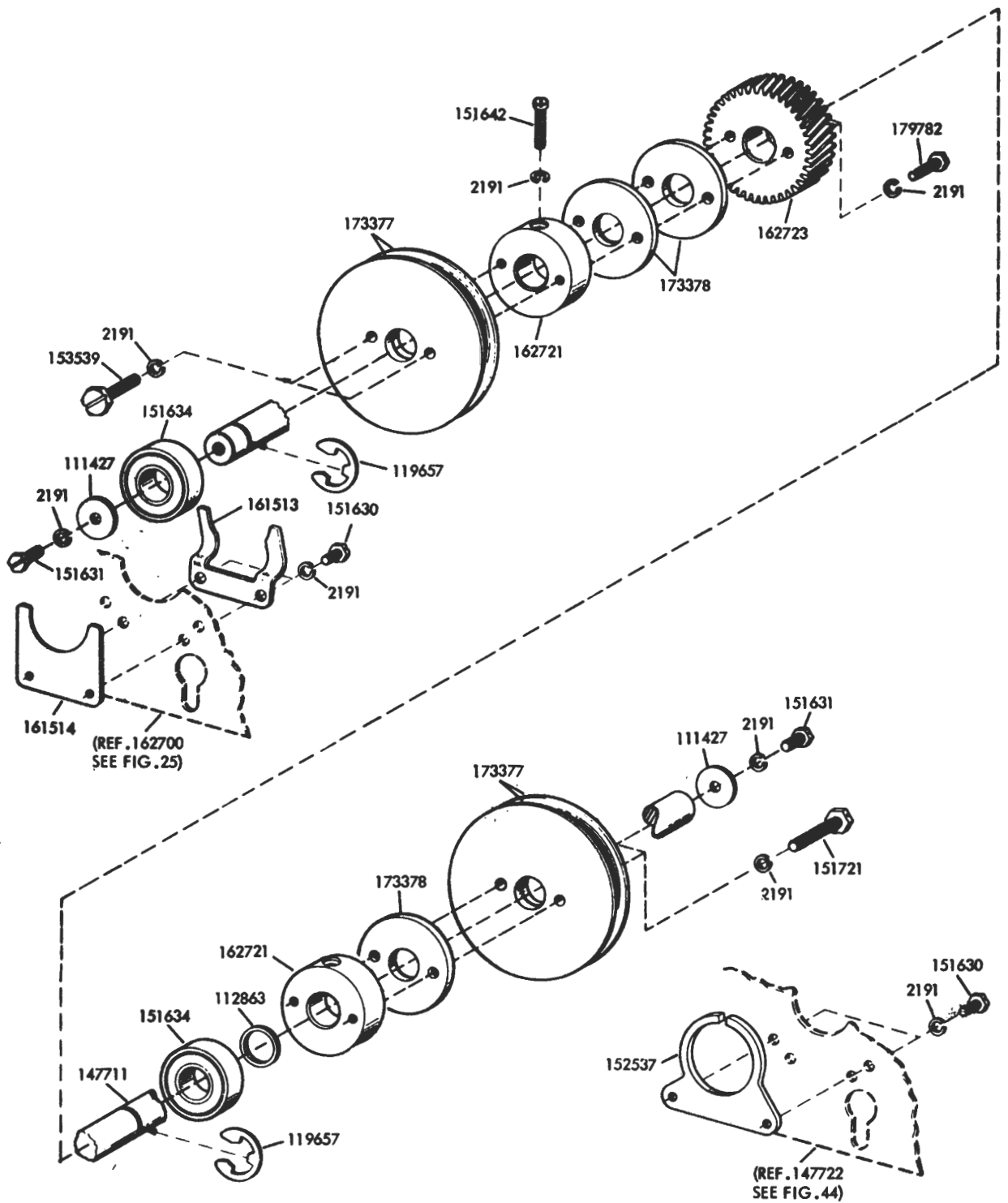
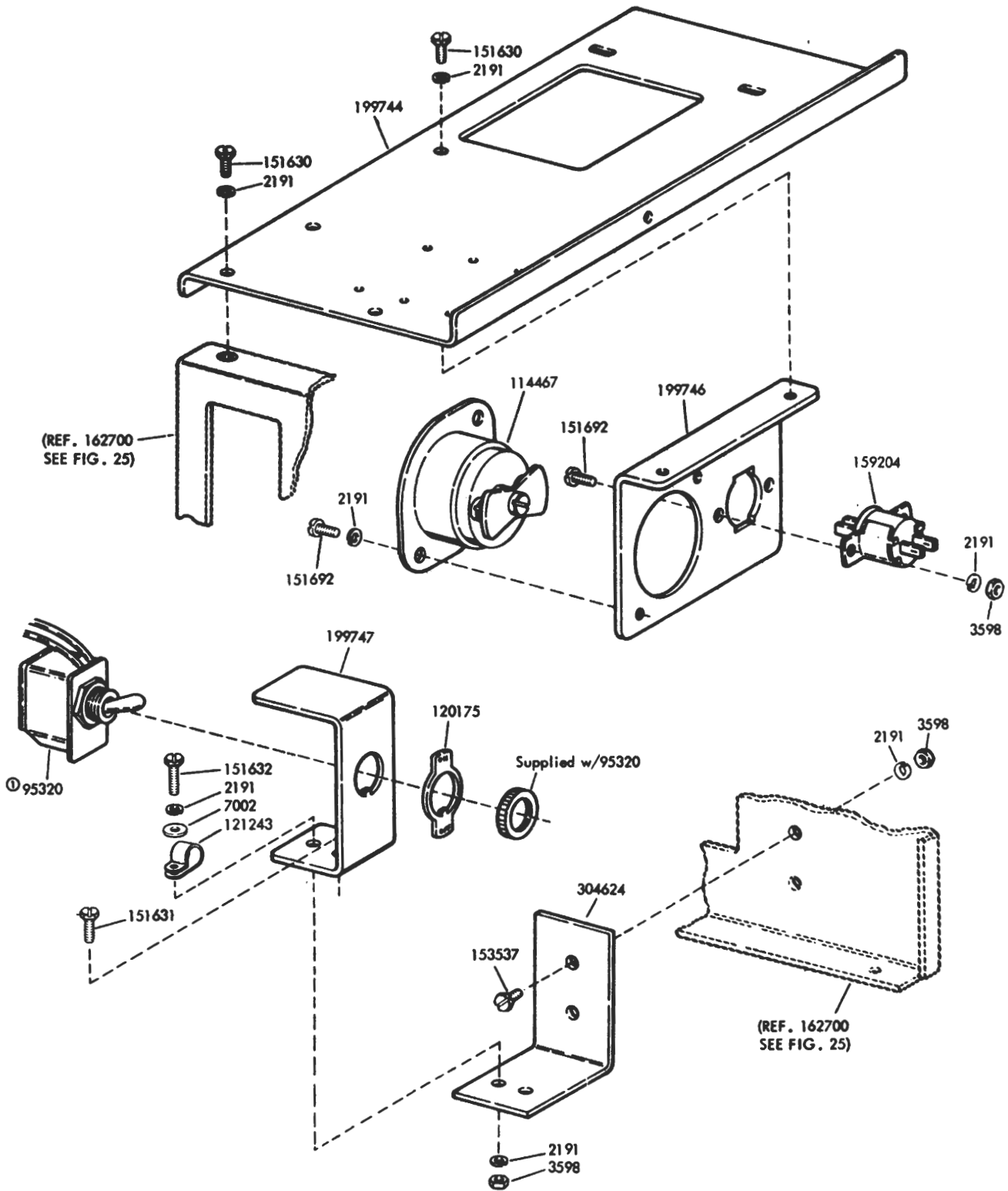


FIGURE 46. SHAFT MECHANISM FOR MCTOR DRIVEN DOUBLE REEL TAPE WINDER



Ⓞ Part of 199749

FIGURE 47. CONNECTORS AND MOUNTING BRACKETS

NUMERICAL INDEX

Part Number	Description and Page Number	Part Number	Description and Page Number	Part Number	Description and Page Number
1043	Screw, 10-32 x 5/16 Rd 6, 7	55309	Screw, 6-32 x 1/2 Oval 23	85931	Post, Spring 11
1059	Screw, 6-32 x 7/32 Rd 18	70497	Nut, 5/16-32 Hex 8, 12	85935	Post, Spring 11
1181	Screw, 6-40 x 11/16 Fil 7	71047	Washer, Flat 10	89897	Nut, 10-32 Hex 25, 41
1187	Screw, 10-32 x 1/4 Fil 5, 6	71073	Washer, Flat 16, 35	90033	Stiffener 28, 32
1223	Screw, 10-32 x 1/2 Fil 5	71646	Nut, 6-32 Hex 22, 23	90109	Fuse, 3.2 Amp 23
1248	Screw, 6-40 x 1/2 Flat 11	71659	Screw, 6-40 Shoulder 15, 35	90480	Nut, 9/13-32 Capstan 8, 12
1264	Screw, 10-32 x 1/2 Flat 14, 29	71971	Gear, 35T 6	90490	Shim, .005" Thk 13, 29
1268	Screw, 6-40 x 5/16 Flat 5	71972	Pinion, 5T 10	90511	Screw, 6-40 x 13/16 Hex 26, 31
1286	Screw, 10-32 x 7/16 Fil 5, 11	73098	Plate, Switch Box 23	90565	Spacer 22, 23
1291	Screw, 6-32 x 3/4 Flat 18	73175	Washer, Lock 8, 9, 14, 25, 41	90790	Washer, Flat 13
2191	Washer, Lock 5 to 17, 21 to 32, 35, 38, 40 to 44	73276	Screw, 6-40 Shoulder 25, 41	90791	Washer, Lock 16, 35
2199	Nut, 7/16-32 Hex 13, 29	73299	Key, Tape Winder 18	91589	Adapter, Fuse 23
2263	Nut, 8-32 Hex 27, 32	73894	Screw, 6-40 Set 21, 37, 39, 40	91683	Nut, 15/32-32 Hex 13
2382	Washer, Lock 22, 23	74283	Washer, Spring 9, 14	91684	Nut, 15/32-32 Ring 13
2449	Washer, Lock 14	74547	Collar 21, 37, 39, 40	91729	Winder Assembly, Tape 4
2539	Nut, 3/8-32 Hex 8, 9, 14	74682	Screw, 10-32 x 1-1/8 Flat 8	91732	Reel, Tape 19
2669	Washer, Lock 5 to 8, 10 to 14, 17, 20, 21, 23 to 25, 29, 37, 39, 41	74692	Post, Spring 25, 41	91819	Modification Kit 2, 4, 20
2836	Spring 15, 35	74701	Spring 28	92260	Washer, Lock 17, 42
2846	Washer, Flat 40	74702	Spring 5	92265	Screw, 2-56 x 1/8 Rd 30
3438	Washer, Flat 5 to 7, 11 to 14, 25, 29, 37, 38	74728	Terminal, Contact 32	92501	Hub 19
3598	Nut, 6-40 Hex 5, 8, 11, 12, 15, 16, 21 to 25, 28, 30, 35, 40, 41, 42, 44	74807	Nut, 10-32 Shoulder 25, 37	92854	Connector, 2 Pt Plug 16, 23
3599	Nut, 4-40 Hex 28	74952	Screw, 4-40 x 5/8 Fil 22, 23	93030	Mount, Vibration 22, 23
3606	Nut, 6-40 Hex 24	75257	Post, Spring 5	93135	Screw, 8-32 x 1-3/4 Fil 36
3608	Spring 5	75607	Washer, Flat 35	93582	Washer, Flat 10
3640	Washer, Lock 22, 23, 27, 29, 38, 42	76086	Washer, Spring 8, 12	93758	Washer, Felt 39
3646	Washer, Lock 27, 32, 35, 42	76099	Washer, Flat 22, 23	93779	Screw, 4-36 x 1/4 Flat 19
4641	Spring, Compression 40	76249	Screw, 6-40 x 1/8 Fil 5, 22, 23	93782	Collar 18
4814	Washer, Lock 8, 12	76281	Terminal 10	93783	Screw, 4-36 x 1/4 Fil 18
4851	Terminal 14	76395	Disk, Friction 8, 12	93786	Clip 19
5600	Spacer 23	76396	Washer, Felt 8, 12	93787	Screw, #1 x 1/4 Rd 19
5668	Box, Switch 23	76450	Shim, .028" Thk 8, 12	93790	Stud, Pawl 18
5740	Screw, 2-56 x 1/4 Fil 18	76484	Fan 10	93791	Winder Assembly, Tape 4
6032	Screw, 8-32 x 7/16 Fil 16, 35	77140	Nut, 9/16-32 Hex 6, 8, 12	93984	Washer, Lock 17
6345	Nut, 6-32 Hex 22, 23	78203	Spring, Main 18	93985	Washer, Lock 36
6796	Screw, 10-32 Fil 37	78245	Screw, 6-32 x 7/8 Flat 22, 23	94042	Screw, 6-40 Pilot 20
6970	Nut, 3/8-32 Hex 25, 41	78420	Collar 6	94071	Collar 18
6994	Bearing, Ball 8, 12	78454	Screw, 10-32 x 7/16 Flat 13	94072	Bushing 18
7002	Washer, Flat 5, 15, 16, 22, 23, 24, 30, 35, 38, 41, 42, 44	78469	Foot, Rubber 18, 33	94567	Gear, 60T 18
7415	Nut, 1/2-32 Hex 37	79894	Screw, 10-32 Set 17, 19, 20, 33	94568	Collar, Spacer 18
7481	Hub, Gear 6	80402	Screw, 4-40 x 15/32 Fil 22, 23	94569	Pawl 18
7634	Spring 25, 41	81726	Terminal 28	94665	Screw, 6-40 Shoulder 15, 35
7825	Spring 11	81824	Nut, 4-40 Hex 23	95002	Holder, Fuse 23
8330	Washer, Flat 11, 23	81835	Washer, Flat 18	95063	Connector, 3 Pt Plug 14
8333	Screw, 10-32 x 3/8 Rd 5	82283	Motor, 110V. A.C. Synchronous 10	95320	Switch, SP-ST Toggle 24, 30, 42, 44
22015	Spring 25, 41	82548	Insulator, .062" Thk 28, 32	98200	Reel Assembly, Tape 1, 9
34432	Washer, Flat 5, 6, 7, 14, 25, 41	82725	Spring 30	98201	Hub, Locating 9
35503	Foot, Rubber 22, 23	83408	Screw, 4-40 x 3/16 Rd 23	98202	Shaft 9
35551	Screw, 10-32 x 3/8 Flat 6, 14	83413	Buffer 5	98203	Gear, 144T 8, 9, 14
35826	Washer, Flat 21	83989	Shaft Assembly 18	98204	Flange, Tape Reel 8, 9
41663	Washer, Flat 9, 14	83990	Shaft Assembly 18	98205	Reel, Tape 8, 9
41732	Plate, Clamp 28, 32	83992	Governor Assembly 18	98206	Core, Tape Reel 9
41974	Spring 11	83993	Pawl 18	98207	Knob 8, 9
42823	Washer, Flat 29	83996	Post, Bottom 18	98208	Core, Tape Reel 9
44048	Washer, Flat 42	83997	Post, Top 18	98209	Pinion, 10T 12
45815	Washer, Lock 17, 25, 41	84000	Knob, Stop 18	98210	Gear, 108T 6, 13, 29
45964	Screw, 4-36 x 3/16 Rd 18	84001	Rod, Spring Holder 18	98212	Post, Spring 5
45969	Screw, 10-32 x 3/4 Flat 5, 9	84005	Screw, 6-32 x 1/4 Rd 18	98213	Pad, Felt 5
55010	Screw, 10-32 Shoulder 5, 11	84006	Spring 18	98214	Channel, Locating 5
55090	Spring 38	84008	Spring, Compression 18	98215	Plate, Base 5
		84008	Arm, Stop 18	98216	Support, Side Plate 5
		85428	Reel Assembly, Tape 20	98217	Stud 5
		85575	Bracket, Tape Reel 20	98221	Bracket 6, 7
		85576	Pivot, Tape Reel 20	98222	Shaft, Clutch 12
		85832	Winder Assembly, Tape 4	98223	Cam, Stop 8, 12
		85922	Hub 17, 19, 20	98224	Block, Bearing 5
		85924	Reel, Tape 17, 19	98225	Arm, Tape Stop 5
		85925	Lid, Tape Reel 17, 19		

NUMERICAL INDEX (Continued)

Part Number	Description and Page Number	Part Number	Description and Page Number	Part Number	Description and Page Number
98227	Hub, Gear 6	106460	Plate, Name 23	121245	Clamp, 5/16" ID Cable 5, 6, 42
98228	Bearing 6	108015	Washer, Flat 25, 41	121332	Arm, Left Tape 5
98229	Washer, Felt 6	108103	Washer, Flat 39	121333	Arm, Right Tape 5, 11
98231	Shaft, Cross 6	108353	Screw, 6-40 x 1/2 Fil 15	121398**	Housing 15, 38
98232	Plate, Outer 5	108809	Screw, 10-32 x 27/32 Hex 29	121399	Motor, 115V A.C. Shaded Pole 16, 35
98233	Plate, Inner 5	110191	Washer, Lock 16, 35	121400	Plate 16, 35
98234	Bracket, Bearing 6	110664	Switch, SP-ST Toggle 13	121401	Grommet, Rubber 16, 36
98235	Plate, Bearing 8, 12	110711	Spacer 8	121402	Grommet, Rubber 15, 35
98236	Lever, Stop 5	110712	Core, Tape Reel 8	121403	Strip 15
98237	Pin, Long 5, 11	110713	Core, Tape Reel 8	121404	Wedge, Braking 15, 35
98238	Bracket, Tight Tape 5	110715	Reel Assembly, Tape 1,8	121405	Bushing 15, 35
98239	Guide, Stop Lever 5	110743	Washer, Lock 15, 17, 25, 28, 32, 35, 41	121406	Lever, Operating 15
98240	Guard, Gear 5	110822	Screw, 10-32 x 13/16 Flat 8	121407	Shaft 15, 35
98241	Post 5, 8	110823	Screw, 10-32 x 11/16 Flat 8	121408	Roller 15
98242	Post 5	111017	Screw, 6-40 x 5/16 Fil 22, 42	121409	Washer, Insulating 15, 17
98421	Pin, Short 5	111427	Washer, Flat 26, 31, 43	121410	Screw, 10-32 Shoulder 15
98423	Plate, Blocking 6	111666	Plate, Base 5	121411	Cover 15, 16, 35
98688	Housing 22, 23	111667	Plate, Inner 5	121412	Insulator 15, 16, 35
98693	Knob 22, 23	111669	Coupling 7	121413	Spacer, .344" Thk 15, 35
98694	Latch 22, 23	111671	Shaft, Cross 7	121414	Stud 15, 35
98704	Spring 22, 23	111672	Bracket, Bearing 7	121415	Arm, Operating 15
99082	Screw, 6-32 x 11/16 Hex 14	111673	Shaft, Cross 7	121416	Roller 15
99381	Foot, Rubber 15, 37, 38	111674	Coupling 7	121417	Washer, Flat 16
99494	Channel, Locating 22, 23	111675	Bracket 7	121418	Screw, 6-40 Shoulder 15
99496	Plate, Base 5	112080	Washer, Flat 15	121420	Collar 17
99497	Plate, Inner 5	112626	Nut, 10-32 Hex 5, 6, 11, 13, 14, 15, 20, 21, 25, 29, 39, 41	121421	Hub 17
99498	Shaft, Cross 6	112627	Nut, 2-56 Hex 16, 35	121422	Disk 17
99499	Bracket, Bearing 6	112863	Spacer, .063" Thk 26, 43	121423	Spring 17
99817	Foot 23	114189	Modification Kit 2, 4, 21	121424	Hub 17
101965	Connector, 3 Pt Plug 10	114237	Screw, 2-56 x 1/2 Fil 16, 35	121425	Disk 17
102017	Washer, Beveled 8, 9, 14	114467	Connector, 3 Pt Plug 44	121426	Jumper, 7-3/4" Black 15
102046**	Cabinet, Tape Winder 22	114501	Gear, 192T 8, 12	121427	Cable Assembly 16
102073	Reel Assembly, Tape 1,9	114858	Connector, 6 Pt Receptacle 24, 30	121428	Reel Assembly, Tape 17
102212	Plate, Inner Bearing 5, 11	115535	Connector, 6 Pt Plug 24, 30	122829	Spring, Compression 15, 35
102213	Plate, Outer Bearing 5, 11	115725**	Modification Kit 2, 22	122960	Post, Spring 15, 35
102214	Screw, 6-40 x 13/64 Flat 5, 11	115739**	Winder Assembly, Tape 4	123587**	Winder Assembly, Tape 4
102329	Spring, Contact 28, 32	115743**	Modification Kit 2, 3, 23	123588**	Reel Assembly, Front 19
102330	Spring, Contact 28, 32	115753**	Winder Assembly, Tape 4	123589**	Reel Assembly, Rear 19
102345	Hub, Locating 8, 9, 14	115754**	Winder Assembly, Tape 4	123590**	Hub 19
102346	Shaft 8, 9, 14	116704	Holder 21	123591**	Core Assembly 19
102492	Channel Assembly, Tape Winder 22, 23	116705	Guide 21	123592**	Core, Tape Reel 19
102495	Cord Assembly 10	116783	Holder, Fuse 24, 30, 42	123593**	Reel 19
102693	Receptacle, 3 Pt Connector 23	117535	Washer, Flat 29	123699	Screw, 6-40 Shoulder 9, 14
102755	Screw, 6-40 x 7/16 Flat 23	118834**	Cabinet Assembly, Tape Winder 22	123700	Plate, Locking 9, 14
102762	Guide, Tape 22	119634BZ	Button, Plug 24, 28, 30	123701	Guard, Pinion 8, 12
102898	Connector, 3 Pt Plug 10	119648	Ring, Retaining 25, 41	123702	Guard, Left 6, 11
102899	Cord Assembly 10	119649	Ring, Retaining 38	123703	Guard, Right 6
103032	Winder Assembly, Tape 4	119652	Ring, Retaining 15, 16, 25, 35 38, 41	123704	Plate, Outer 5
103033	Lid, Tape Reel 19, 20	119653	Ring, Retaining 14	123705	Plate, Inner 5
103034	Reel, Tape 19	119654	Ring, Retaining 38	123706	Screw, 10-32 x 1/4 Flat 6, 7
103035	Modification Kit 2, 4, 21	119655	Ring, Retaining 25	124434	Bracket, Switch 16, 35
103036	Bracket, Tape Reel 21	119656	Ring, Retaining 37	124435	Arm 15
103038	Post 21, 37, 39	119657	Ring, Retaining 26, 31, 43	124437	Arm, Operating 16
103039	Nut, 6-40 Spl 21, 37, 39, 40	119658	Ring, Retaining 17, 19, 20	124438	Stud 16
103041	Screw, 6-40 x 1/4 Fil 21, 40	119876**	Plate, Front 18	124439	Bracket, Stop 16
103043	Spindle 21, 40	119877**	Cover 18	124440	Roller 16
103092	Connector, Cord 23	119878**	Plate, Rear 18	124441	Pulley, Brake 15, 35
104066	Guide, Tape 23	119936**	Cabinet Assembly, Tape Winder 23	124442	Strip 16
104072**	Cabinet, Tape Winder 23	120175	Plate, ON-OFF 13, 24, 44	124443	Switch, SP-ST 16, 35
104302	Pin 14	120429	Plunger 17	124451	Switch, Sensitive 15, 35
104365	Handle 23	121243	Clamp, 3/16" ID Cable 24, 30, 41, 44	124452	Switch, Sensitive 16
104478	Winder Assembly, Tape 4			124611	Screw, 8-32 x 3/8 Hex 29
104483	Shaft 18			124612	Screw, 8-32 x 1/2 Hex 27, 32, 42
104847	Cord 23			124884**	Winder Assembly, Tape 4
104848	Cord Assembly 23			124885	Reel, Tape 20
105866	Clamp, 7/16" ID Cable 13, 29			124890	Spacer, .188" Thk 6, 7

**Refer to Page 1 for Finish Suffix

NUMERICAL INDEX (Continued)

Part Number	Description and Page Number	Part Number	Description and Page Number	Part Number	Description and Page Number
124898	Shaft 18	145930	Hub Assembly 17, 35	150949	Plate, Serial 30
124996	Bushing 28, 32	145933	Guide, Tape 38	150966	Insulator, 14 Terminal 42
125006	Screw, 10-32 x 5/8 Flat 9, 14, 29	145935	Arm w/Hub 38	150990	Washer, Felt 29
		145937	Shaft 38	150991	Washer, Felt 13, 29
125011	Washer, Flat 18, 22, 23, 33	145982	Detent, Tape Reel 33	151073	Screw, 4-40 x 5/32 Fil 17
125015	Washer, Flat 12, 15, 21, 22, 23, 29, 35	146202	Post, Tape Guide 25, 41	151080	Washer, Flat 33
125120	Screw, 6-40 Shoulder 5, 11	146225	Collar 25, 41	151335	Stud 42
125128	Screw, 4-36 x 5/16 Fil 18, 33	146355	Plunger 17, 33, 35, 38	151346	Screw, 6-40 x 3/8 Fil 5, 6, 8, 10, 23, 38
125151	Screw, 6-40 Set 17	146518	Roller, Spring 41	151415	Block, Terminal 42
125170	Screw, 8-32 x 5/16 Fil 15, 38	146612	Spring, Compression 17, 35, 38	151416	Nut, 6-40 Hex 42
125171	Screw, 10-32 x 1/2 Flat 6	146619	Wire, Brake 38	151442	Screw, 6-40 x 1/2 Hex 28, 30, 41
125185	Screw, 10-32 x 1/4 Rd 6	146620	Post, Eccentric 38	151606	Screw, 10-32 x 1/4 Hex 11
125203	Screw, 4-40 x 5/32 Fil 17, 19, 20	146626	Modification Kit 17	151626	Terminal 24, 42
125218	Nut, 1/4-32 Hex 14	146634	Post 17	151630	Screw, 6-40 x 1/4 Hex 11, 17, 24, 26, 28, 30, 31, 37, 41 to 44
125231	Nut, 10-32 Hex 22, 23	146635	Hub 17, 35	151631	Screw, 6-40 x 5/16 Hex 13, 24, 26, 27, 29 to 32, 41 to 44
125245	Spring, Compression 14	146698	Adapter, Tape Reel 33		
125750	Screw, #4 19	146806	Adapter, Tape Reel 33	151632	Screw, 6-40 x 3/8 Hex 40, 44
125946	Screw, 4-36 x 3/4 Flat 18	146815	Reel, Center Unwind 2, 4, 37	151634	Bearing, Ball 26, 31, 43
126899	Plate, Base 11	146816	Reel, Center Unwind 37	151637	Screw, 4-40 x 1/4 Fil 29
126900	Bracket, Motor 14	146817	Spindle, Tape 37	151639	Washer, Flat 25, 41
126901	Plate, Inner 11, 29	146818	Hub, Tape Spindle 37	5142	Screw, 6-40 x 3/4 Fil 26, 31, 43
126902	Plate, Outer 11	146819	Holder, Tape Guide 37	51657	Screw, 6-40 x 1/4 Fil 5, 13, 15, 16, 21, 24, 30, 35, 39
126903	Bracket 13, 29	146820	Guide, Tape 37	151658	Screw, 6-40 x 5/16 Fil 13, 29
126904	Bracket 13	146821**	Winder Assembly, Tape 4	151659	Screw, 6-40 x 1/2 Fil 6, 8, 9, 11, 13, 14, 29
126905	Bearing 13	146822	Modification Kit 2, 33	151686	Screw, 4-40 x 3/8 Fil 17, 35, 38
126907	Shaft 13	146827	Hub Assembly 33	151688	Screw, 4-40 x 5/8 Fil 32
126908	Gear, 40T 13	146829	Spring, Compression 33	151689	Screw, 4-40 x 3/4 Fil 28
126909	Pinion, 7T 14	146830	Hub 33	151691	Screw, 10-32 x 3/8 Fil 5, 23
126910	Hub, Gear 13, 29	146892**	Unwinder, Tape 2, 4, 38	151692	Screw, 6-40 x 3/16 Fil 6, 11, 12, 17, 44
126911	Stud, Eccentric 11	146893	Plate w/Hub 38	151693	Screw, 6-40 x 9/16 Fil 6, 13, 29
126912	Lever, Stop 11	146895	Lever w/Hub 38	151694	Screw, 6-40 x 11/32 Fil 35
126913	Bracket, Clutch Bearing 11	146898	Spring, Wire 38	151701	Spring, Torsion 41
126914	Guide, Stop Lever 11	147705	Arm, Spring 41	151721	Screw, 6-40 x 1/4 Hex 25, 26, 41, 43
126915	Block 11	147706	Plate, Motor Mounting 42	151723	Screw, 10-32 x 3/8 Hex 6, 7, 8, 13, 17
126916	Arm, Lever 11	147708	Guide, Tape 41	151724	Screw, 10-32 x 5/8 Hex 10, 14
126917	Block, Mounting 11	147709	Latch 41	151880	Nut, 4-40 Hex 25, 32, 38, 41
126918	Disk, Tape Reel 14	147710	Arm, Tape 41	151924	Insulator, .031" Thk 29
126919	Bracket, Switch 13	147711	Shaft 43	151925	Clamp 27, 32, 42
126920	Spring, Friction 14	147712	Post, Roller 41	151939	Grammet, Rubber 24, 30, 41
126921	Core, Right Tape Reel 14	147713	Bracket 42	152537	Clamp 26, 31, 43
126922	Core, Left Tape Reel 14	147714	Bracket, Switch 42	152893	Screw, 4-40 x 1/4 Hex 15, 27, 32, 35
126923	Flange, Tape Reel 14	147718**	Cover 34	153442	Screw, 10-32 x 1/2 Hex 10, 22
126924	Knob, Tape Reel 14	147719**	Pan, Base 34	153537	Screw, 6-40 x 9/32 Hex 38, 44
126987	Motor, 115V 60 Cycle A.C. 14	147720**	Modification Kit 3	153538	Screw, 6-40 x 7/16 Hex 24
126988	Arm, Tape 11	147722	Bracket w/Extension 41, 42, 43	153539	Screw, 6-40 x 11/16 Hex 26, 31, 43
126989	Bracket, Tight Tape 11	147723	Base 41	153577	Washer, Felt 13
126990	Cable Assembly 14	147724	Plate, Cover 42	153817	Screw, 4-40 x 3/8 Hex 42
126992	Reel Assembly, Tape 14	147742	Cable Assembly 42	154244	Nut, 6-40 Shoulder 25, 41
128913	Screw, 8-32 Self-Tapping 42	147743	Bracket 41	155718	Jumper, 3" Black 24
129082	Plate, Direction 11	147747	Disk, Tape Reel 28	155750	Sleeve, 3/32 ID x 1/2" Lg
129425	Spring 15, 35	147748	Disk, Tape Reel 28		
129675	Guide, Tape 11	148126	Detent 38	156768	Screw, 8-32 x 9/32 Hex 35
129676	Washer, Clamp 11	148242**	Cover, Front 36	157215	Mount, Vibration 24
129677	Spring, Pawl 18	148243**	Housing 36	158542	Spring 25, 41
130607	Washer, Lock 37	148244	Bracket 35	159204	Connector, 2 Pt Plug 44
135378	Pinion, 10T 8	148245	Lever, Brake Operating 35	159222	Reel Assembly, Tape 14
135379	Shaft, Clutch 8	148246	Bracket w/Arm 35	159227	Core, Tape Reel 14
138538	Fuse, 5L-8L 2 Amp 24, 30, 42	148247	Arm, Operating 35	159228	Core, Tape Reel 14
139094	Cable Assembly 14, 29	149795	Guide, Tape 35		
139159	Connector, 3 Pt Plug 14, 29	149798	Bracket 35		
139190	Arm, Tape 11	149799	Plate, Cover 35		
139268	Retainer 18	149897	Pad, Non-Slip 36		
142665	Nut, 8-32 Spl 38	149940	Cable Assembly 36		
145928	Hub 38	150040	Screw, 6-40 x 5/8 Fil 10		
		150646	Screw, 6-40 Shoulder 38		
		150710	Screw, 6-40 x 1-1/4 Fil 15, 16, 35		
		150854	Spacer 16		

**Refer to Page 1 for Finish Suffix

NUMERICAL INDEX (Continued)

Part Number	Description and Page Number	Part Number	Description and Page Number	Part Number	Description and Page Number
160471	Shaft 14	173116	Pin 25, 41	194768	Spacer, .375" Thk 25, 41
160472	Hub 14	173149	Guide, Tape 25	194769	Disk, Tape Reel 28, 31
160473	Block 14	173377	Wheel, Drive 26, 31, 43	194770**	Modification Kit 2,34
160474	Stud, Eccentric 25, 41	173378	Washer, Flat 26, 31, 43	194772**	Cover 34
160664	Pin, Roll 33, 38	173937	Motor, 115V Induction 27, 29, 32, 42	194773**	Pan, Base 34
161513	Clamp 26, 31, 43	173938	Relay 27, 29, 32, 42	194861**	Modification Kit 3
161514	Plate 26, 31, 43	173939	Plate, Motor Mounting 24	195105**	Modification Kit 2,34
161552	Screw, 10-32 Spl 24	173952	Post, Spring 25, 41	195405	Plate, Base 24
162196	Insulator 27, 32, 42	173953	Guide, Tape 25	195406	Plate, Cover 24
162700	Bracket w/Extension 24, 30, 31, 41, 42, 43, 44	173974	Screw, 10-32 x 5/16 Hex 11, 12, 13	195408	Shaft 26
162701	Bracket 24	176168	Plate, Base 30	195409	Rad, Pivot 28
162702	Plate, Base 24	176169	Shaft 31	195410	Plate, Motor Mounting 24
162703	Stud 25, 41	176170	Plate, Cover 30, 32	195411**	Cover 34
162704	Plate, Cover 24	176172	Rad, Pivot 30	195412**	Pan, Base 34
162706	Bracket 24	176173	Arm 30	195610	Arm 25, 41
162708	Rad, Pivot 28	176174	Plate, Motor Mounting 30, 32	196671	Handle 42
162714	Arm 28, 30	176979	Mount, Vibration 41	196868	Cord w/Plug 42
162715	Stud 25, 41	178730	Bracket, Motor Mounting 29	197961	Shield, End 27, 32
162716	Arm, Tape 25	178731	Post, Mounting 29	197962	Shield, End 27, 32
162718	Arm 25, 41	178732	Rail, Mounting 29	197990	Stator, Motor 27, 32
162719	Roller, Guide 25	178734	Plate, Base 29	197991	Rotor, Motor 27, 32
162720	Shaft 26	178735	Plate, Outer 29	197992	Washer, Thrust 27, 32
162721	Hub 26, 31, 43	178736	Clamp, Relay 29	197993	Screw, 8-32 x 3-7/8 Fil 27, 32
162722	Pinion, 4T 27, 32	178737	Plate 29	198640	Modification Kit 2, 40
162723	Gear, 40T 26, 31, 43	178738	Shaft w/Hub 29	199468	Adapter, Tape Reel 3, 33
162725	Depressor, Chad 25, 41	178739	Bearing 29	199522	Spring 25, 41
162823	Disk, Tape Reel 28, 31	178740	Stud, Eccentric 29	199744	Plate, Cover 44
162824	Disk, Tape Reel 28	179389	Pinion, 7T 29	199746	Bracket, Connector 44
162999	Roller w/Bearing 25	179390	Gear, 40T 29	199747	Bracket, Switch 44
163523	Spring 25	179782	Screw, 6-40 x 7/8 Hex 43	199749	Switch w/Cable 44
163526	Bracket w/Post 25, 41	179856	Cable Assembly 24, 30	199900	Modification Kit 2, 28
163527	Arm 25	179857	Bracket, Switch 24, 30	199901	Reel, Tape 2, 17, 33, 35
163528	Latch 25, 41	181101	Isolator, Vibrating 24, 30	199929	Guide 17, 35
163633	Post 25	194442	Adapter, Tape Reel 33	199930	Guide, Tape 35
164481	Screw, 6-40 Eccentric 25, 41	194602	Bracket, Unwinder Pivot Arm 40	199935	Unwinder, 6" Center 2, 4, 39
164483	Contact Assembly 28	194717	Post, Unwinder Pivot 40	199947	Base, Mounting 39
164491	Cable 28, 32	194727	Modification Kit 2, 40	199950	Spindle 39
164516	Modification Kit 2, 28	194766	Guide, Tape 25	199963	Plate, Cover 24
172843	Post 17	194767	Roller, Guide 25, 41	304624	Bracket 44
172932	Stud 25, 41			307092	Connector, 5 Pt Plug 36
172933	Bracket, Spring 28			307102	Cable Assembly 36
172981	Arm, Spring 25			310623	Latch 25

**Refer to Page 1 for Finish Suffix