

TP177010 SELECTOR MAGNET DRIVER

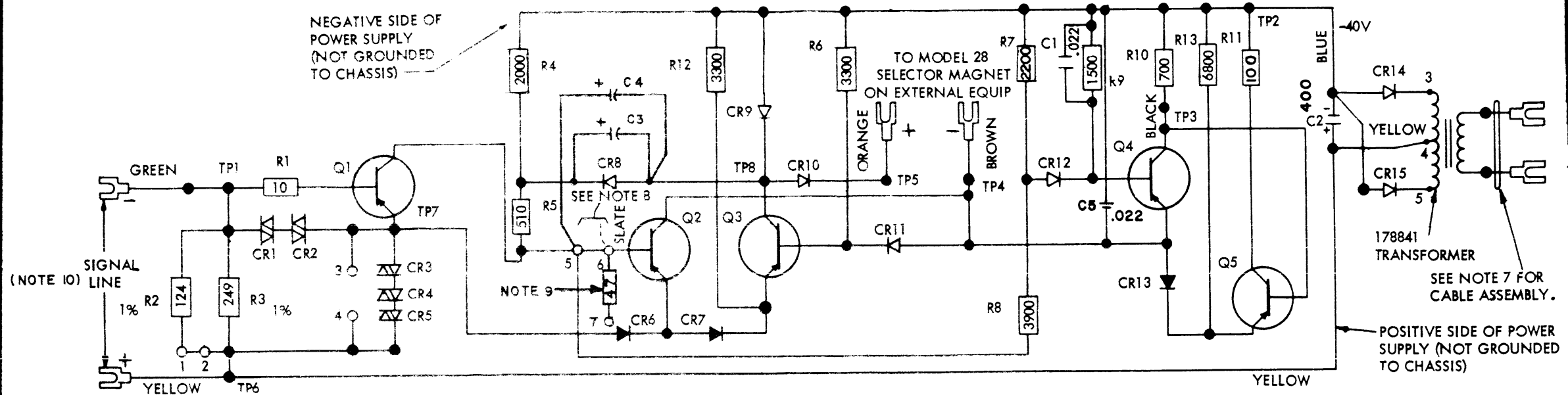
WIRING DIAGRAM

1. GENERAL

- 1.01 This section provides the schematic and actual wiring diagram for the TP177010 selector magnet driver. Refer to an appropriate section for descriptive information.

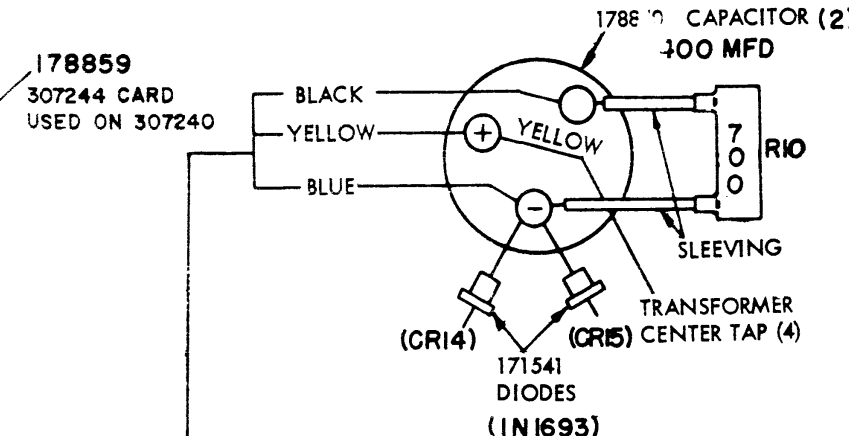
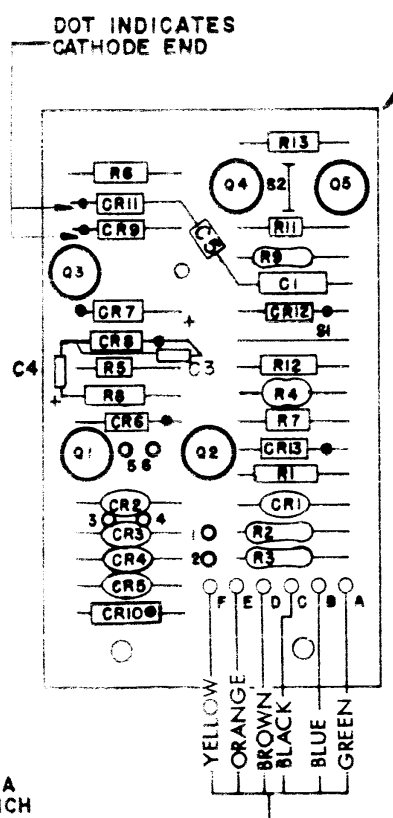
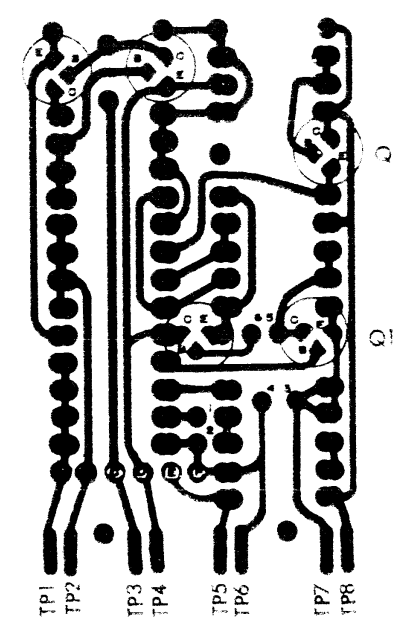
4 4 4 5 W D

ISSUE	DATE	AUTH. NO.
2	10-15-64	71841
3	11-20-64	71678
4	2-7-62	72380
5	10-5-62	74788
6	10-19-62	74878
7	3-4-63	76176
8	2-27-64	81002
9	9-9-64	83349
10	10-9-64	84164
11	3-9-65	86451



- NOTES
- Units wired for 117V 50/60 cycle operation only.
 - Selector *COILS* in parallel for all conditions of operation.
 - Strapping for input options:
 .020 Amp. neutral operation:
 1-2 Open 3-4 Open
 .060 Amp. neutral operation:
 1-2 Strapped 3-4 Open
 .020 to .030 Amp. polar operation:
 1-2 Open 3-4 Strapped
 - For normal operation terminals 5 & 6 are strapped. To "blind" the selector (steady marking condition), CONNECT 5 & 6 TO POSITIVE SIDE of power supply through A 47 OHM RESISTOR AND AUXILIARY CONTROL CONTACTS. SEE NOTE 9.
 - Factory Strapping: 1-2, 5-6.
 - All resistors 5% tolerance unless otherwise indicated.
 - Associated Cables:

178886	Used On	177010
178887		309494
178602		178601
178508		178507



- When installing 178602 Cable Assembly ADD SLATE LEAD TO TERMINAL 6 AS SHOWN.
- 198528 MOD. KIT TO ADD BLINDING RESISTOR, USED ON 198360 SMD. 309494 SMD.
- 307240 DRIVER USES A 307244 CARD IN WHICH R2 AND R3 RESISTORS (124 Ω AND 249 Ω RESPECTIVELY) ARE REPLACED BY A 820 Ω RESISTOR. THIS PROVIDES FOR A -6 VOLT SPACE AND 0 VOLT MARK INPUT.
- 309494 DRIVER TO BE WIRED FOR POLAR OPERATION (OPTION NOTE 3)

11. SPECIFICATIONS APPLICABLE ARE 60,239S AND 50,042S

ACTUAL AND SCHEMATIC WIRING DIAGRAM FOR SELECTOR MAGNET DRIVER ASSEMBLY
 177010, 178507, 178601
 198360, 307240, 309494

APPROVALS

D AND R	E OF M
---------	--------

E-NUMBER

PROD. NO. 4445 WD

DATE: 5-29-61

P.D. FILE NO. 26-158AAA

DRAWN. CHKD. *AS*

ENG. F.J.M. APPD. *J.W.*

TELETYPE CORPORATION

4445 WD