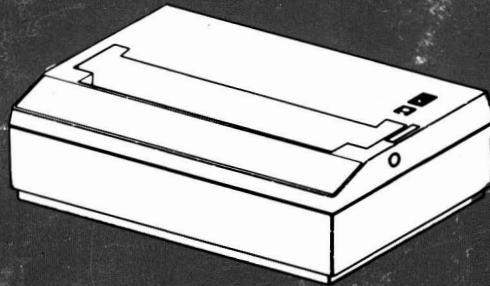


**PARTS  
MANUAL  
533**

- ENCLOSURES
- PAPER HANDLING
- and MISC. ACCESSORIES



**Used with  
42, 43 and 45  
30CPS Character Printers**

©1981 and 1984 by Teletype Corporation  
All rights reserved  
Printed in U.S.A.

TELETYPE CORPORATION PRODUCT SERVICE AND EDUCATION SERVICES

PRODUCT SERVICE

On the following page is a list of Teletype Corporation Product Service locations which provide maintenance repair and service on all Teletype Corporation products.

For 24 hour information concerning service call toll free:

U.S. 800/323-4226

IL 800/942-4192

EDUCATION SERVICES

Customers are also provided technical training on the installation, maintenance and repair of Teletype Corporation products

or

Sales Workshops on selected Teletype Corporation products for sales personnel who require basic knowledge to enable them to answer customer questions about the features, functions and benefits of Teletype products.

For information about class schedules, enrollment, tuition, any special training needs, or training to be conducted at customer selected locations, please contact:

TECHNICAL TRAINING

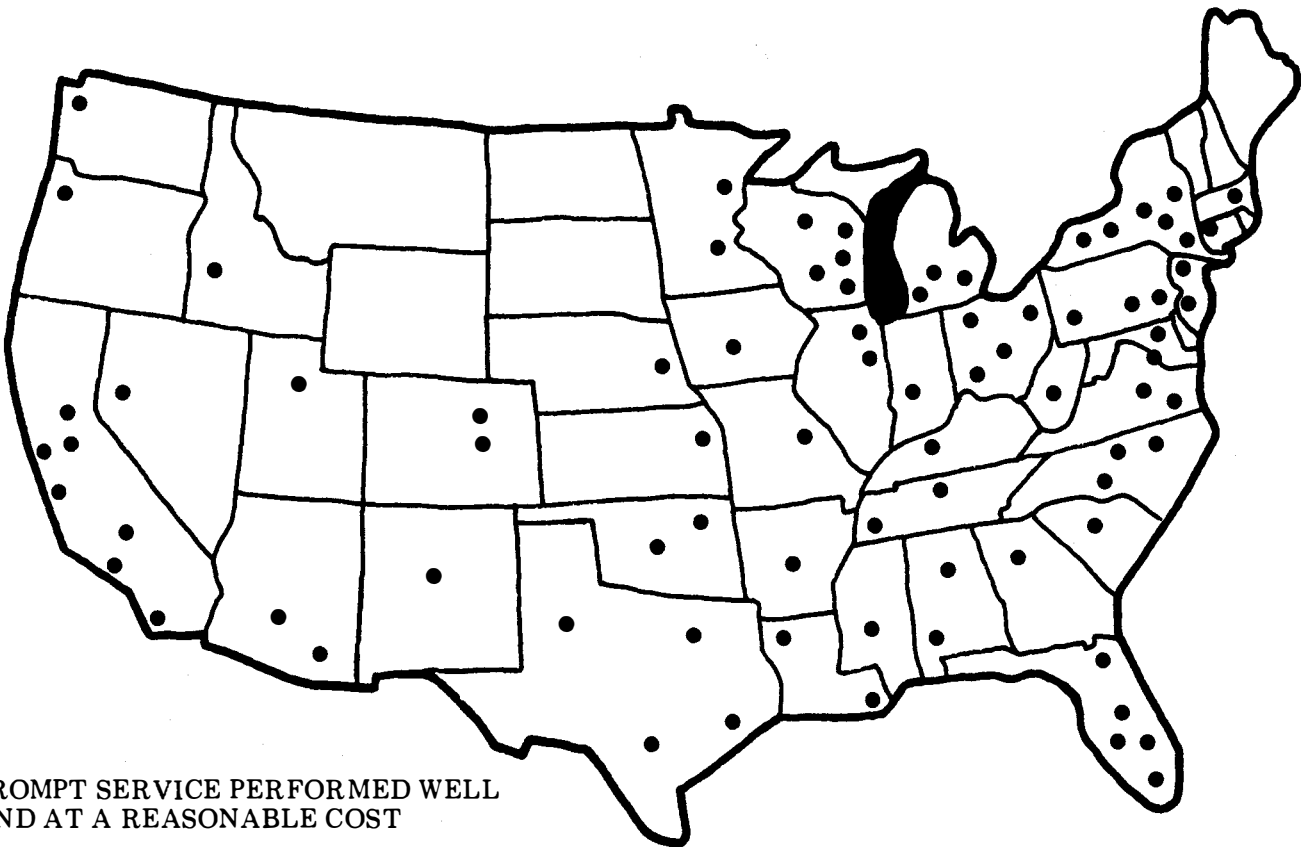
6200 Route 53  
Lisle, Illinois 60532  
c/o BSCTE, Room 406  
Information: 312/960-6722  
Enrollment: 312/960-0500

SALES TRAINING

5555 Touhy Avenue  
Skokie, Illinois 60077  
Department 3221  
Information: 312/982-2538  
TLX 25-4051  
TWX 901/223-3611

# Teletype Corporation

## Product Service The Complete Resource



PROMPT SERVICE PERFORMED WELL  
AND AT A REASONABLE COST

Even the best equipment can fail at some time. When failures occur, you want prompt service, because down time is expensive. You want service performed well -- and at a reasonable cost. With Teletype® Product Service Centers located throughout the United States and Canada, and our National Central Dispatch System available around the clock, every day of the year, you know we rate customer service as our primary goal.

### A TOTAL SUPPORT EFFORT

Our service representatives are professional, employed and trained by Teletype Corporation. They know our equipment inside out, and can locate and repair problems quickly and effectively. These skilled technicians are backed by an array of sophisticated test equipment, a multi-million dollar parts inventory, and full engineering support. Only the manufacturer of equipment being serviced can offer this total support effort . . . Teletype Corporation Product Service . . . the complete resource.

### NATIONAL SERVICE NETWORK

Albany	Greensboro	Orange County
Albuquerque	Harrisburg	Orlando
Appleton	Hartford	Philadelphia
Atlanta	Houston	Phoenix
Baltimore	Indianapolis	Pittsburgh
Birmingham	Jackson	Portland
Boise	Jacksonville	Reno
Boston	Kalamazoo	Richmond
Buffalo	Kansas City	Rochester
Charleston	Lansing	Sacramento
Charlotte	Little Rock	Salt Lake City
Chicago	Long Island	San Antonio
Cincinnati	Los Angeles	San Diego
Cleveland	Louisville	Santa Clara
Colorado Springs	Lubbock	Seattle
Columbia	Madison	Shreveport
Columbus	Memphis	St. Louis
Dallas	Miami	Syracuse
Decatur	Milwaukee	Tampa
Denver	Minneapolis	Toledo
Des Moines	Mobile	Toronto
Detroit	Nashville	Tucson
Duluth	New Orleans	Tulsa
Durham	New York	Ventura
Eau Claire	Norfolk	Washington
Edison	Oakland	Wausau
Fairfield	Oklahoma City	
Fort Lauderdale	Omaha	

Call Toll Free 800/323-4226

In Illinois 800/942-4192

In Canada, call 416/745-9474

ENCLOSURES, PAPER HANDLING AND MISCELLANEOUS ACCESSORIES  
USED WITH 42/43 AND 45 30CPS PRINTERS

PARTS MANUAL  
INTRODUCTION

This manual provides complete repair parts identification and numbering information for enclosures, cables, paper handling and miscellaneous accessories used with 42/43 and 45 30CPS Printers.

*Note:* When ordering replaceable components, unless otherwise specified, prefix each part number with the letters "TP" (ie, TP410055).

Service personnel should be properly trained and have access to these parts before attempting repair procedures.

This manual is intended to be used with the following supplemental repair documentation for the 42/43 and 45 30CPS Printers. Parts information for the components listed below is covered in each associated manual.

Manual

- 416 — Product Support Manual
- 442 — 42/43 Paper Tape Unit
- 522 — TTL and SSI Logic Cards used in 42/43 and 45-30 CPS Character Printers
- 523 — Power Supplies used in 42/43 and 45-30 CPS Character Printer Terminals
- 525 — Keyboards used in 42/43 Basic Terminals
- 530 — SSI Keyboards used in 42/43 Buffered Terminals
- 534 — Interfaces, Controllers and Modification Kit Circuit Cards associated with 42/43 Terminals (includes AB, SCU, and brief repair of nonpedestal controllers)
- 539 — 42/43 and 45-30 CPS Character Printers Mechanisms
- 568 — Internal Modems used in 42 Basic Terminals

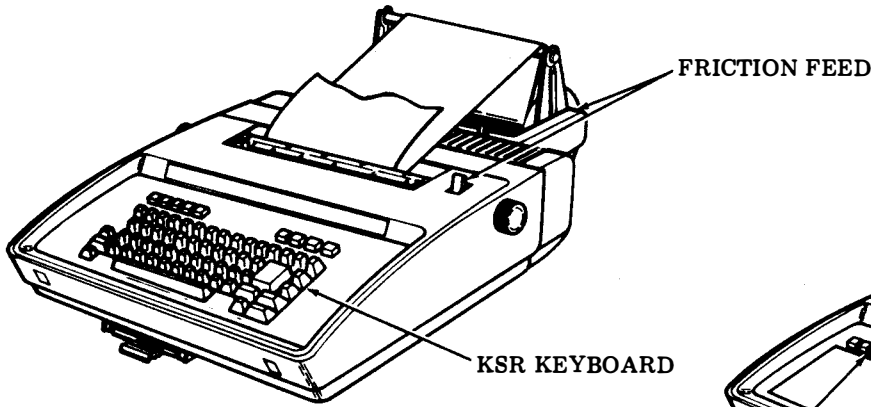
TABLE OF CONTENTS

PAGE

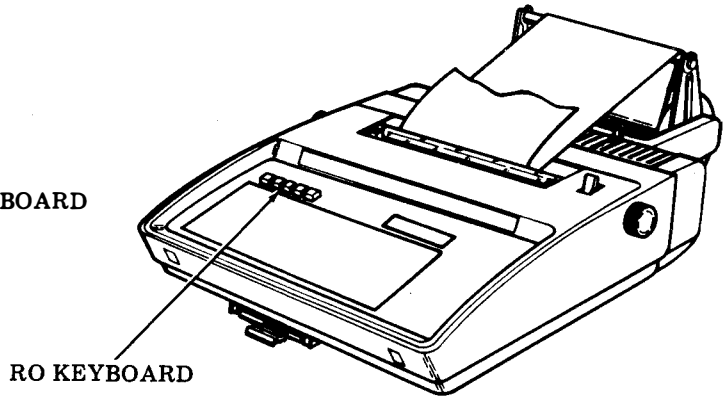
1.	IDENTIFICATION .....	1
	A. 42/43 Teleprinters .....	1
	B. 4540 Auxiliary Character Printers .....	2
2.	ENCLOSURES AND CABLES .....	3
	A. 42/43 Cabinets .....	3
	B. 4540 Auxiliary Character Printer Cabinets .....	5
	(1) 454120 Cabinet .....	5
	(2) 45CAB603/AAA Cabinet .....	7
	C. Rear Frames .....	9
	(1) 430550 Rear Frame Assembly .....	10
	(2) 430530 Rear Frame Assembly .....	10
	D. Pedestals .....	11
	(1) 42/43 Pedestals .....	11
	(a) 430311 Pedestal Assembly .....	11
	(b) Miscellaneous Pedestal Parts (not included with 430311 Pedestal Assembly) ...	12
	(c) 430350 Pedestal Assembly .....	13
	E. Cables .....	15
	(1) 412343 EIA Cable Assembly .....	15
	(2) 407494, 408065, 408066, 408067, 408068, 430569 and 430757 Cable Assemblies .....	15
	(3) 430317 Interlock Switch Assembly .....	16
	(4) 454623 Interlock Switch Assembly .....	16
	(5) 430576 AC Cable Assembly .....	16
	(6) 430246 Low Paper Switch Assembly .....	17
	(7) 406036 Data Set Cable Assembly .....	17
	(8) 430571 SSI Interface Cable Assembly .....	18
	(9) 430746 Cable Assembly .....	18
3.	PAPER HANDLING .....	19
	A. 430295 Paper Supply (Friction Feed) .....	20
	B. 430766 Paper Supply (Friction Feed) .....	21
	ACCESSORIES .....	22
	A. 430310 Copyholder .....	23
	B. 430400 Paper Winder .....	24
	C. 454172 Form Accumulator Shelf Modification Kit .....	28
4.	NUMERICAL INDEX .....	29

1. IDENTIFICATION

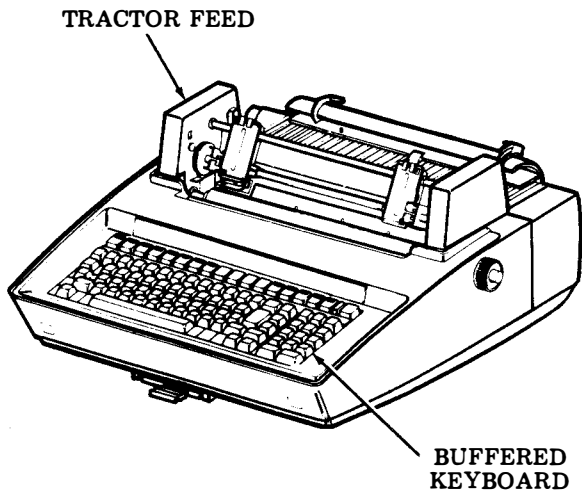
A. 42/43 Teleprinters



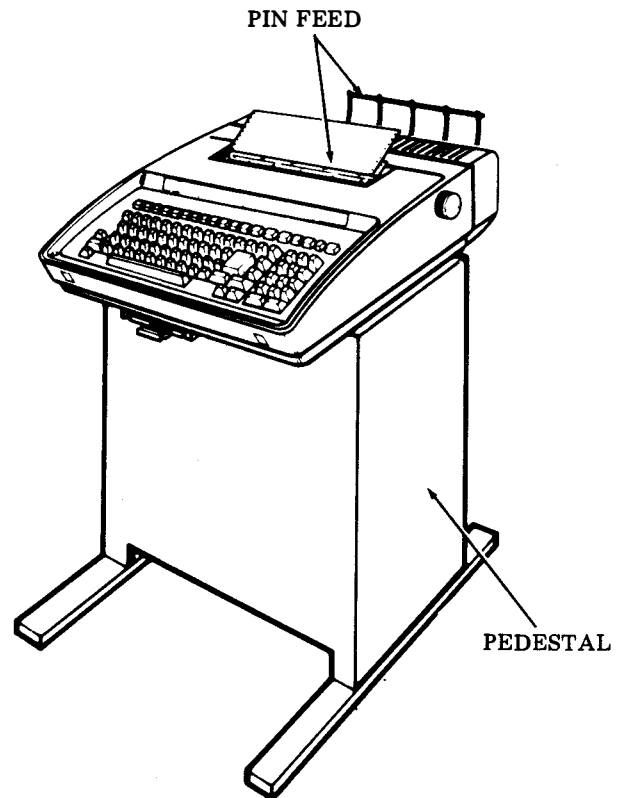
Basic Friction Feed KSR



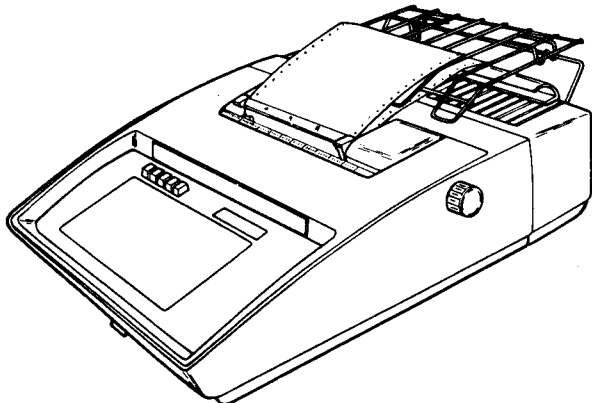
Basic Friction Feed RO



Buffered Tractor Feed SR and SC



Pedestal Based Buffered Pin Feed SR and SC



Basic 8-1/2 Inch Pin Feed RO

533, 2

1. IDENTIFICATION (Contd)

B. 4540 Auxiliary Character Printers

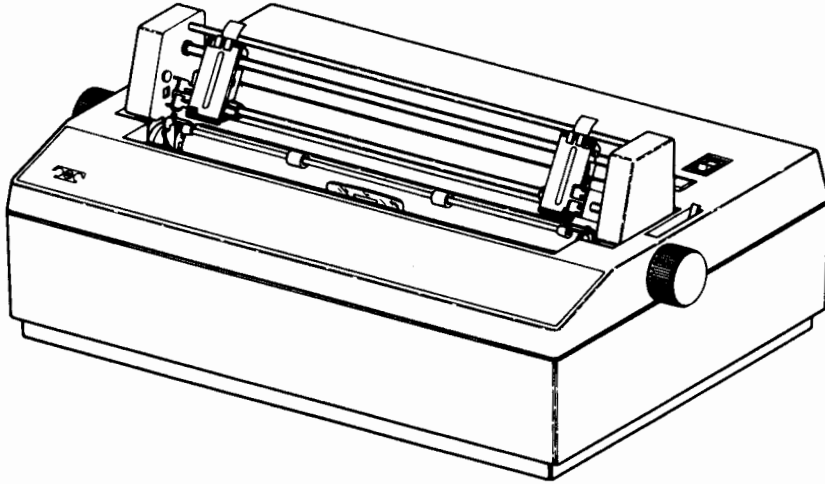
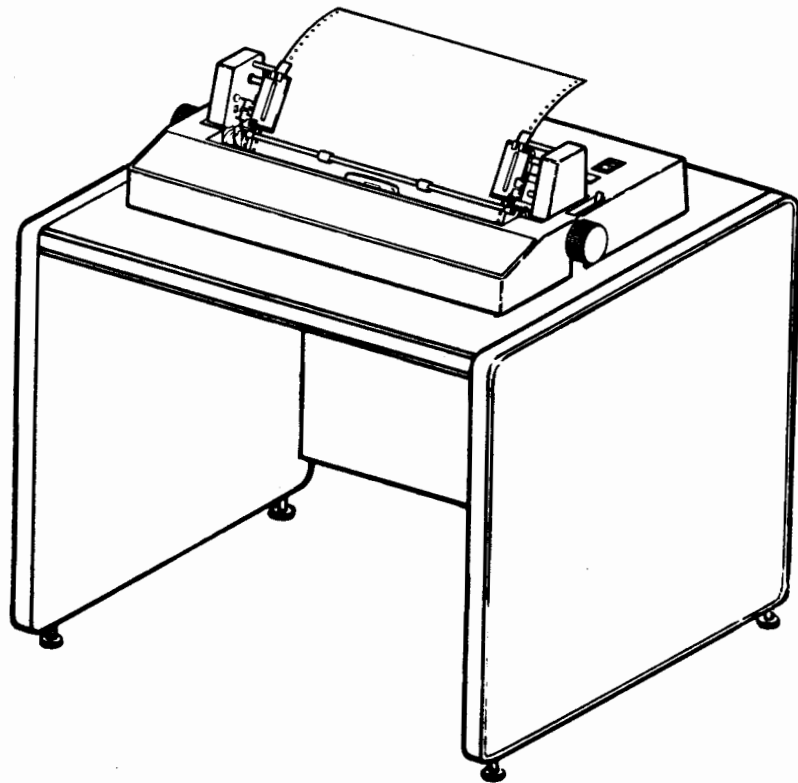


Table Top



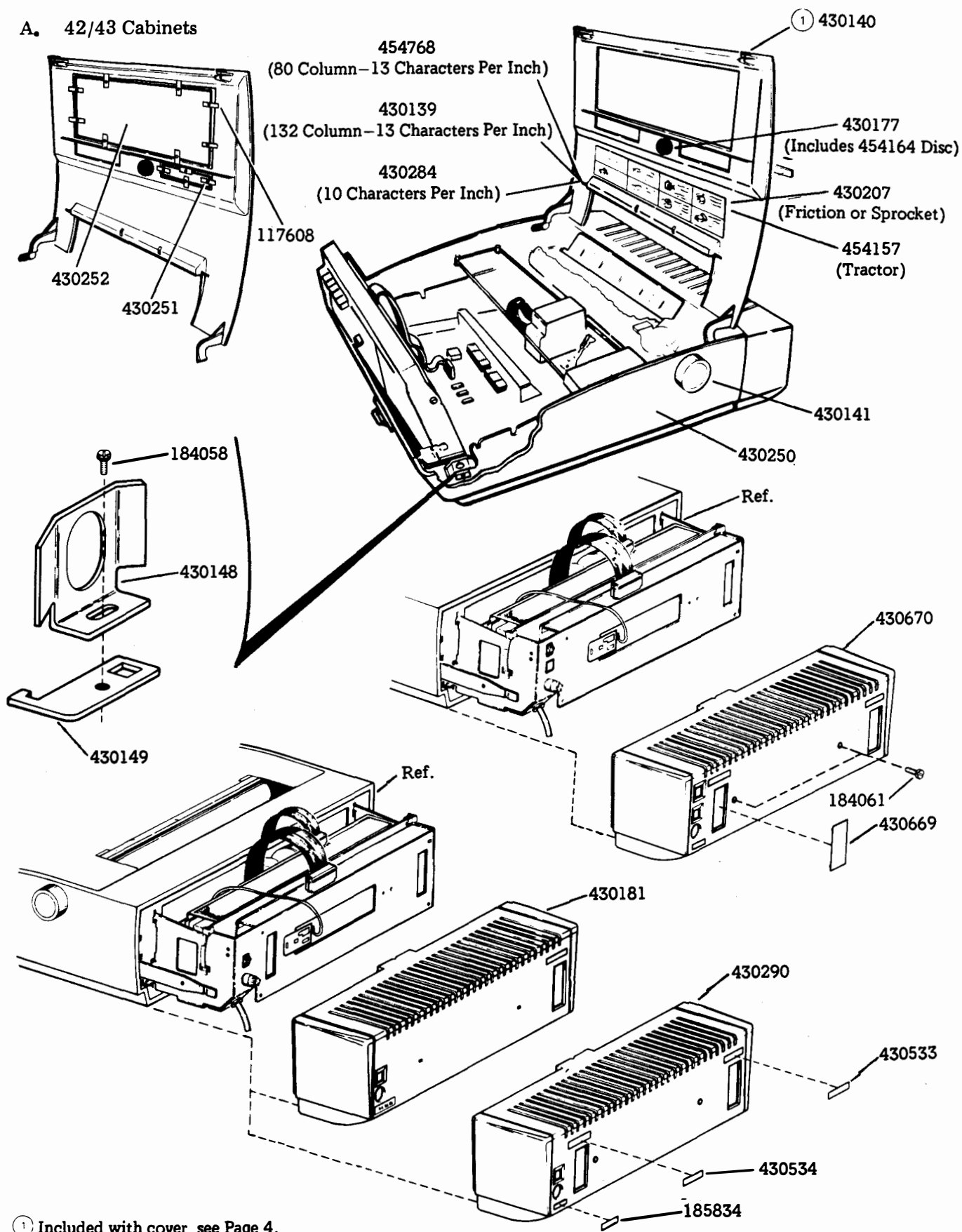
Floor Mounted

4540 Auxiliary Character Printers



2. ENCLOSURES AND CABLES

A. 42/43 Cabinets

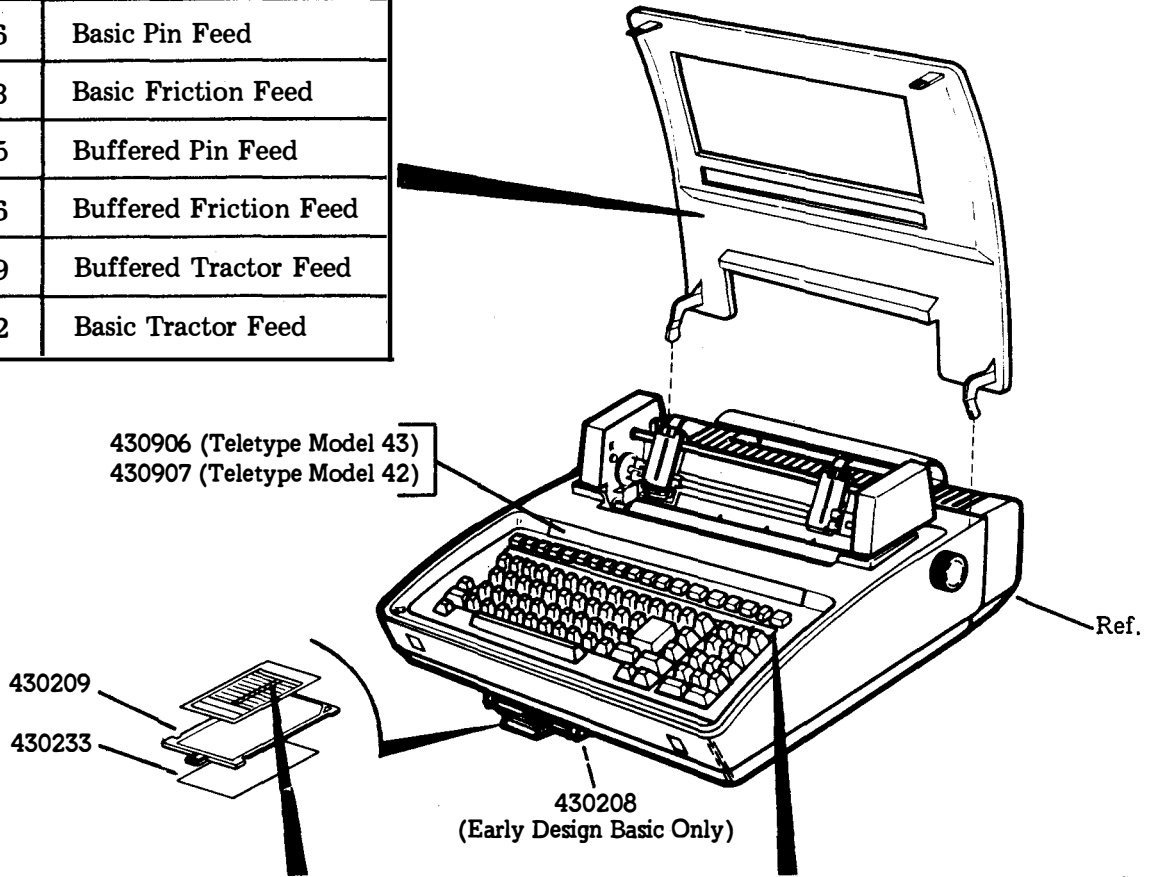


① Included with cover, see Page 4.

2. ENCLOSURES AND CABLES (Contd)

A. 42/43 Cabinets (Contd)

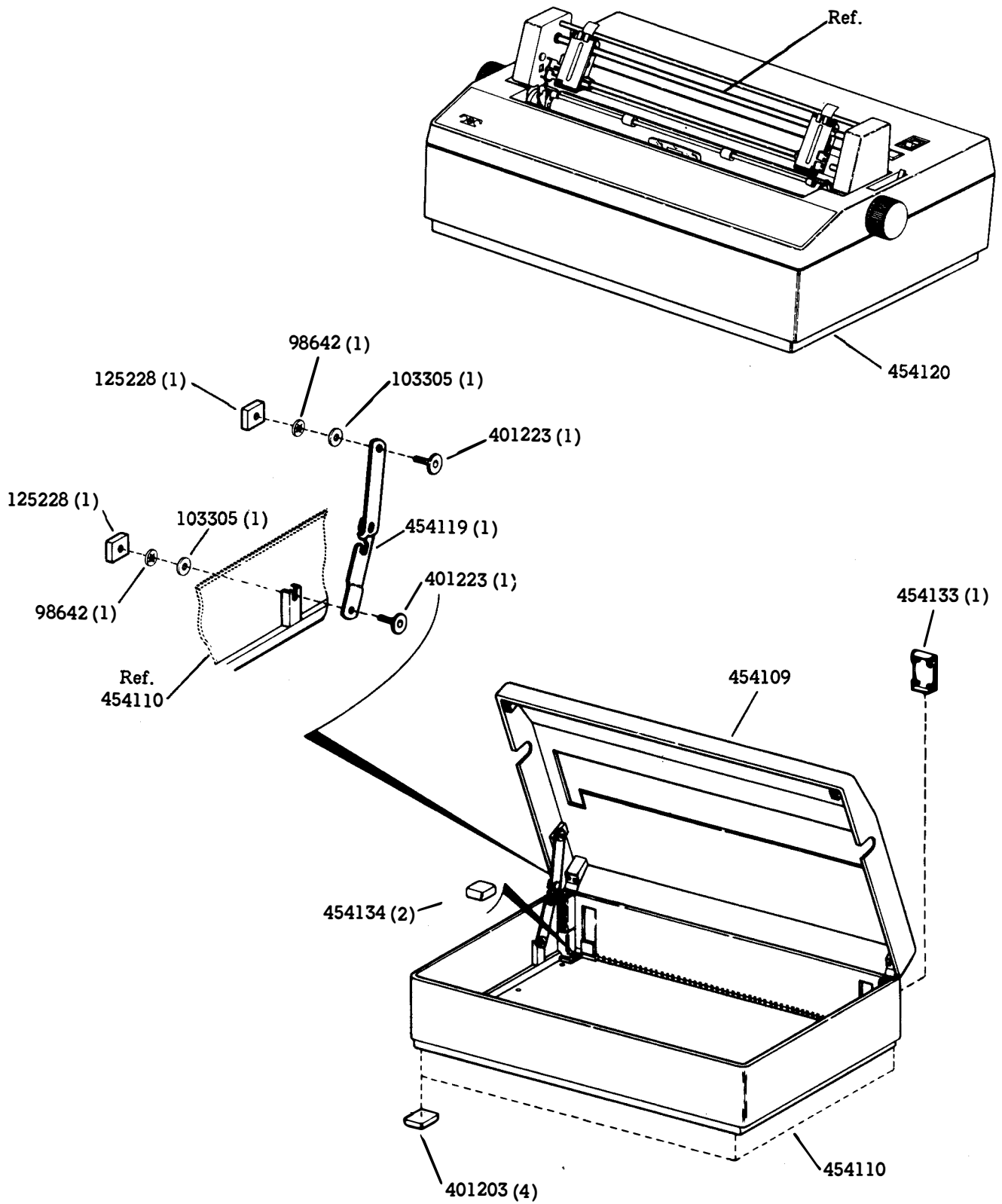
COVER	TELEPRINTER
430136	Basic Pin Feed
430283	Basic Friction Feed
430305	Buffered Pin Feed
430306	Buffered Friction Feed
430459	Buffered Tractor Feed
430482	Basic Tractor Feed



SET DESCRIPTION	OPTIONS LABEL	PRESS W/CONTROLS LABEL (Opcon)	DIRECTORY CARD ASSEMBLY NO.
ALL BASIC 42	—	430363	—
ALL BASIC 42 W/4K	—	411494	—
ALL BASIC 43	430234	—	430210
BUFF 42 ASR (F) PED	430381	430359	430380
BUFF 42 SR (F) PED	430381	430359	430380
BUFF 42 SR (F) CLDKT	430456	430361	—
BUFF 42 SR (F) —	—	—	—
INTF CLDKT	430397	430361	—
BUFF 42 SC	—	430362	—
BUFF 42 W/O FG	—	—	—
BUFF 43 SR PED PB —	—	—	—
CARD	430329	430358	—
BUFF 43 SR (F) —	—	—	—
PED HDX	430328	430358	—
BUFF 43 SR	430402	430358	430401
BUFF 43 SR W/ER	455031	430358	—
BUFF 42 SC EC	430234	430358	—
BUFF 42 SC W/EF	430234	430362	—
BUFF 43 SC	—	430358	—
BUFF 43 W/O FG	—	—	—

B. 4540 Auxiliary Character Printer Cabinets

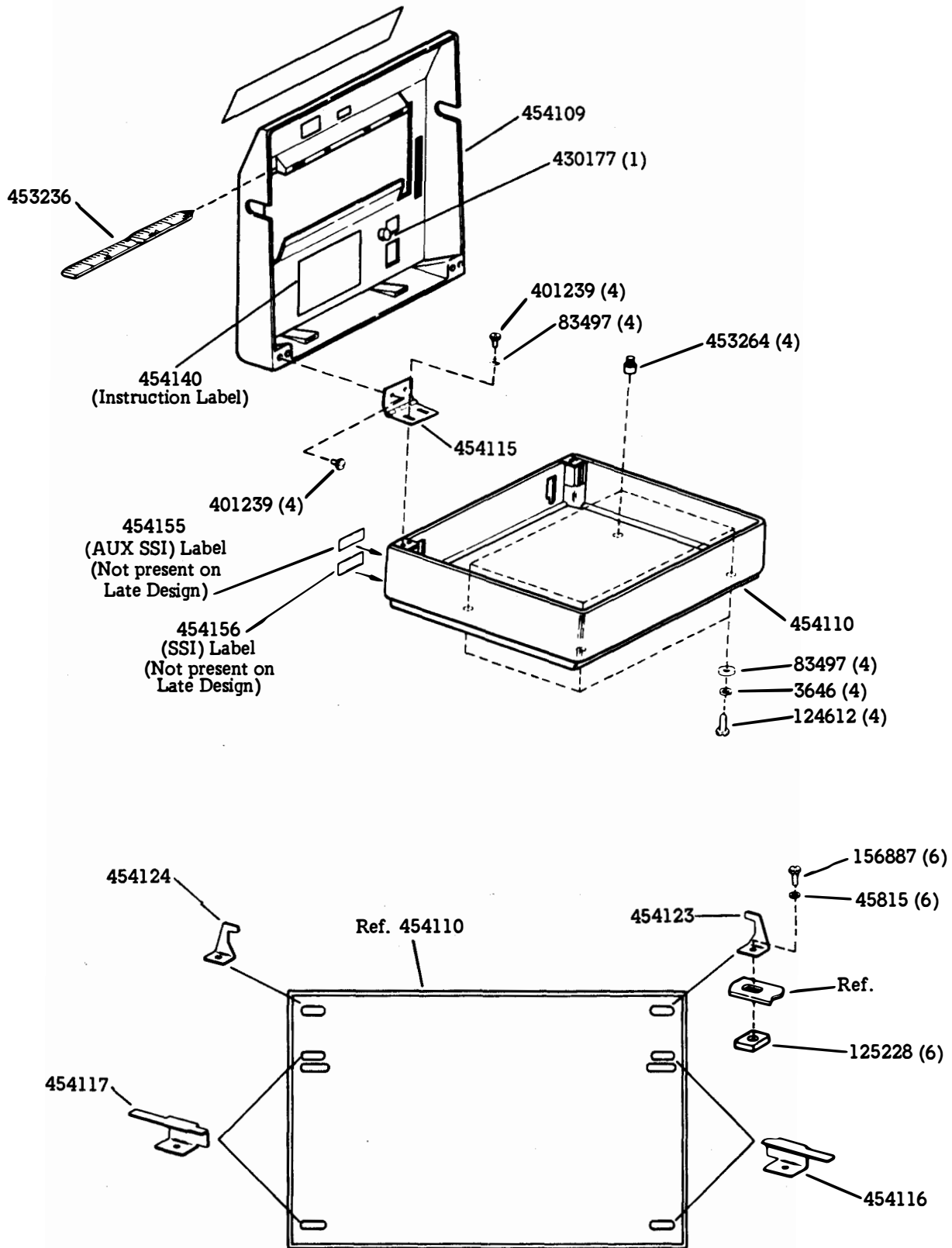
(1) 454120 Cabinet



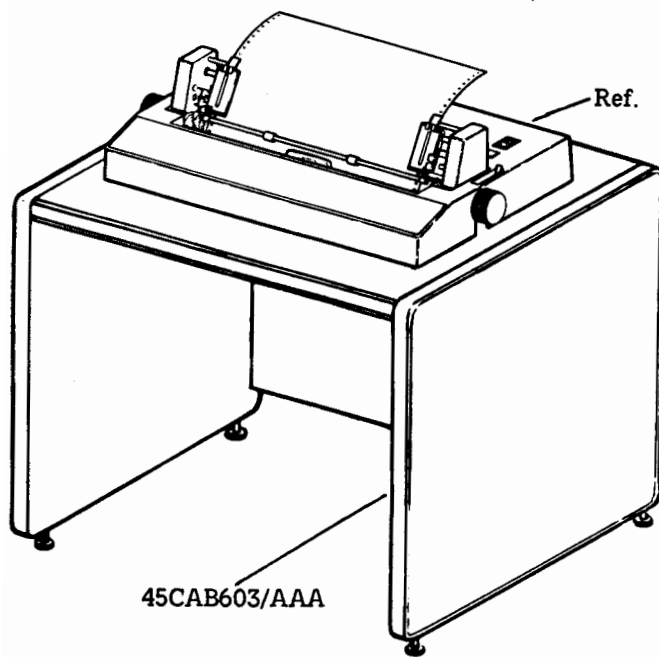
2. ENCLOSURES AND CABLES (Contd)

B. 4540 Auxiliary Character Printer Cabinets (Contd)

(1) 454120 Cabinet (Contd)



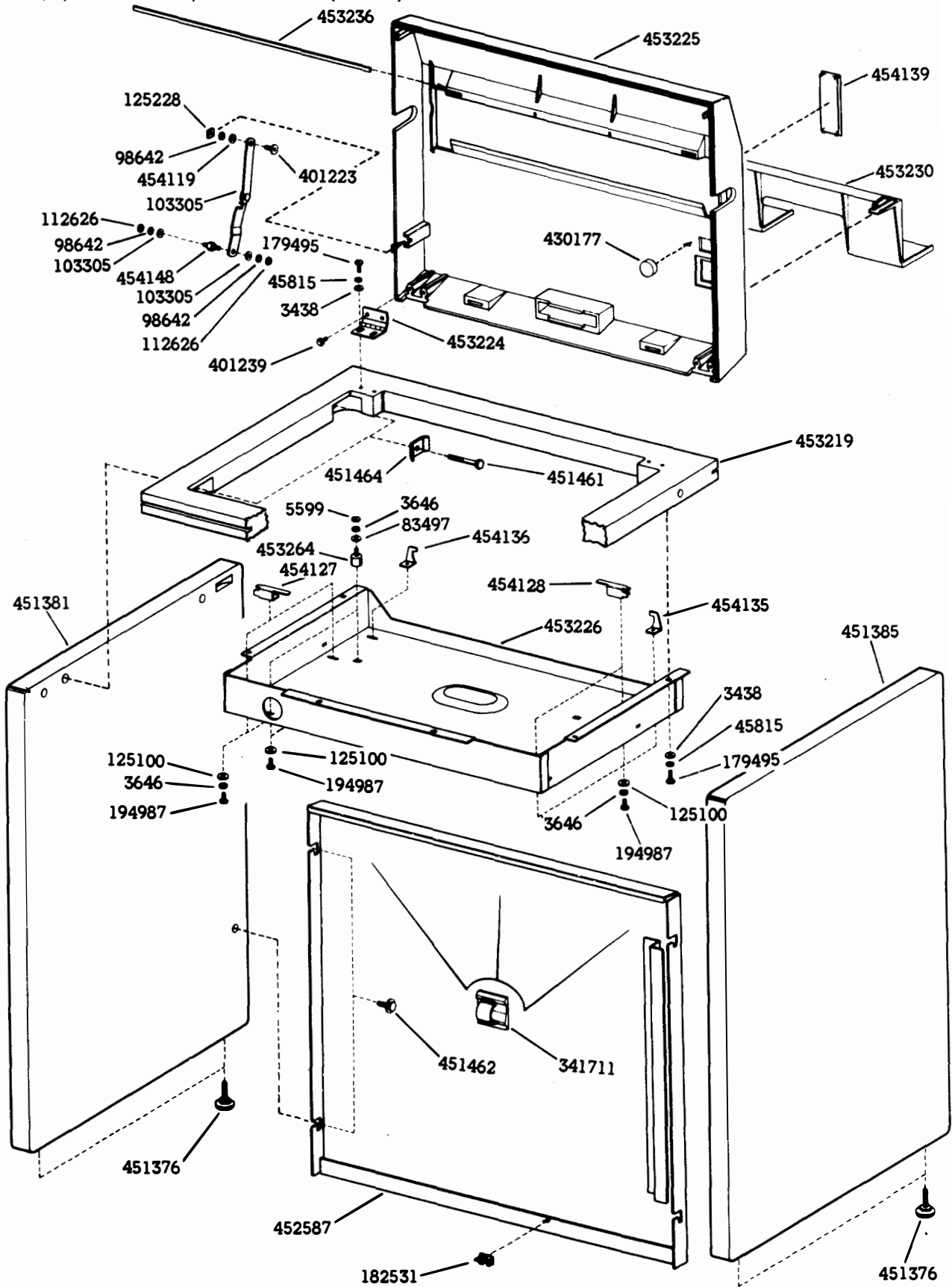
(2) 45CAB603/AAA Cabinet



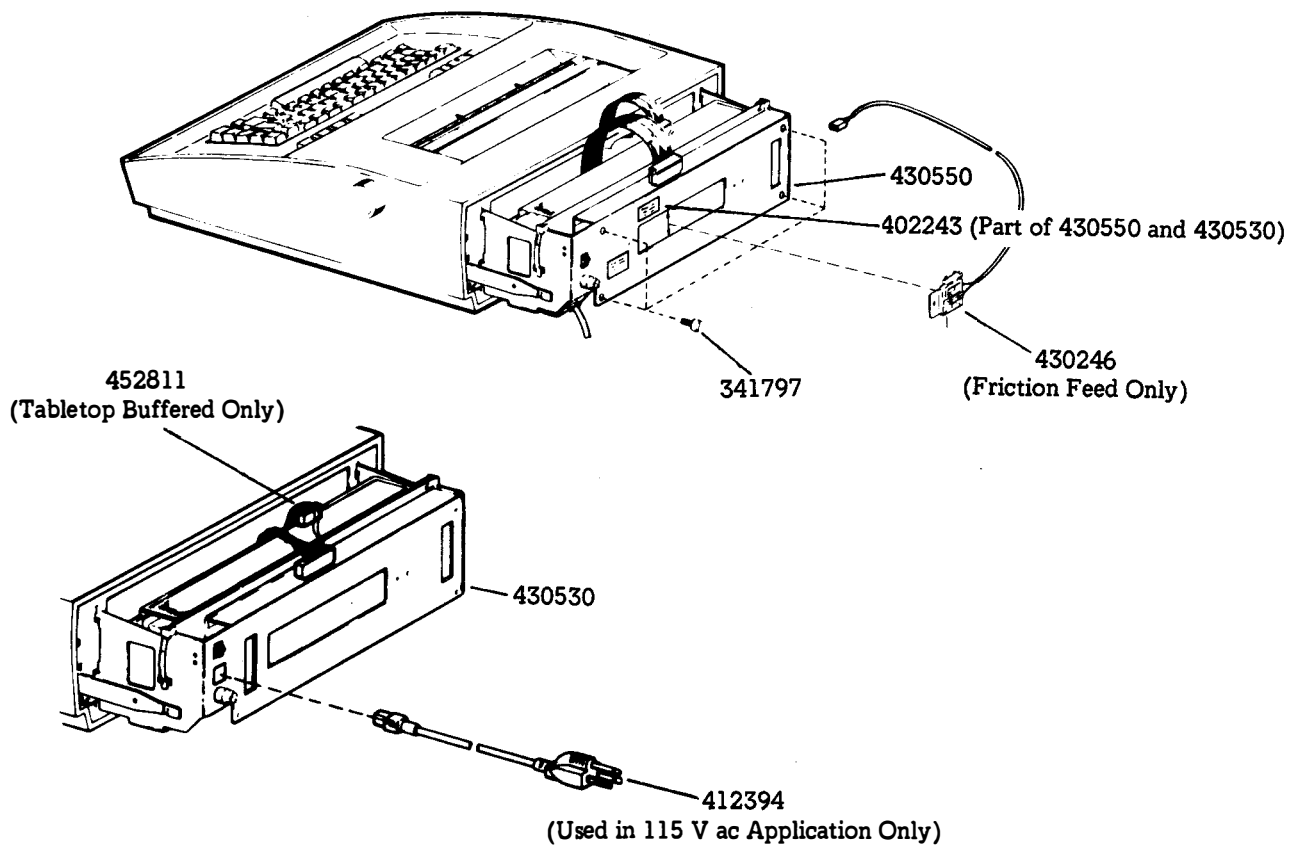
2. ENCLOSURES AND CABLES (Contd)

B. 4540 Auxiliary Character Printer Cabinets (Contd)

(2) 45CAB603/AAA Cabinet (Contd)



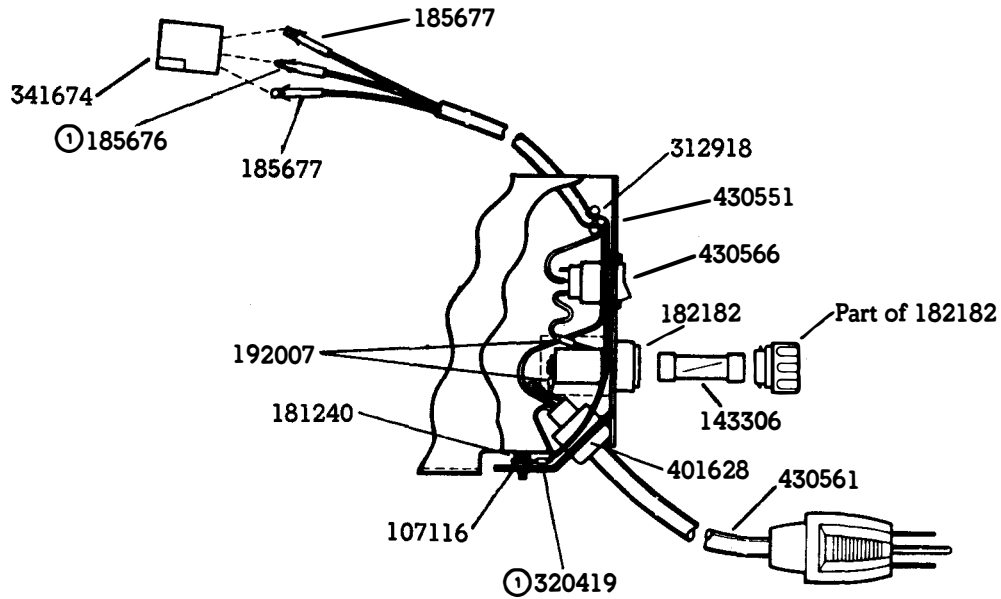
C. Rear Frames



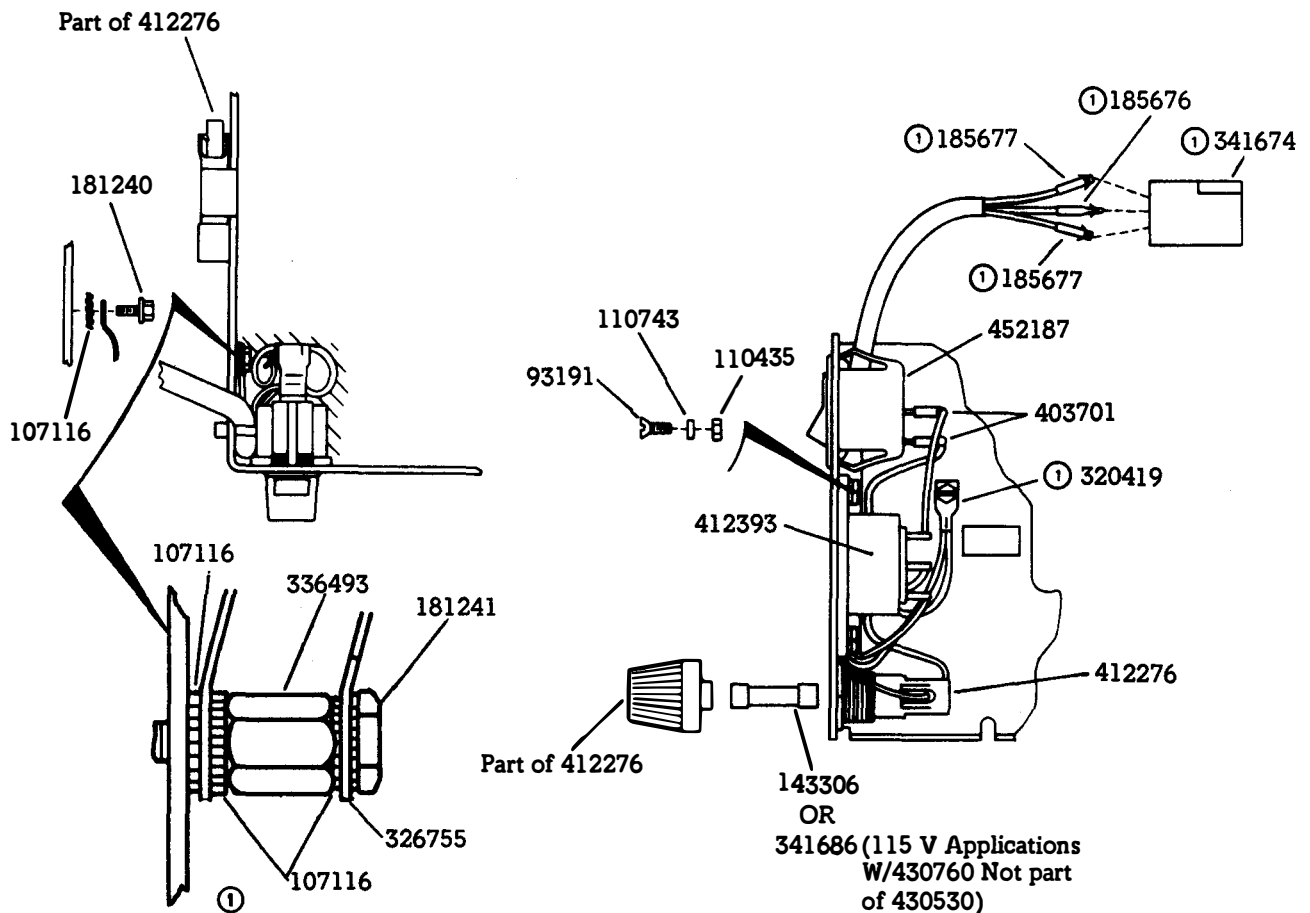
2. ENCLOSURES AND CABLES (Contd)

C. Rear Frames (Contd)

(1) 430550 Rear Frame Assembly



(2) 430530 Rear Frame Assembly



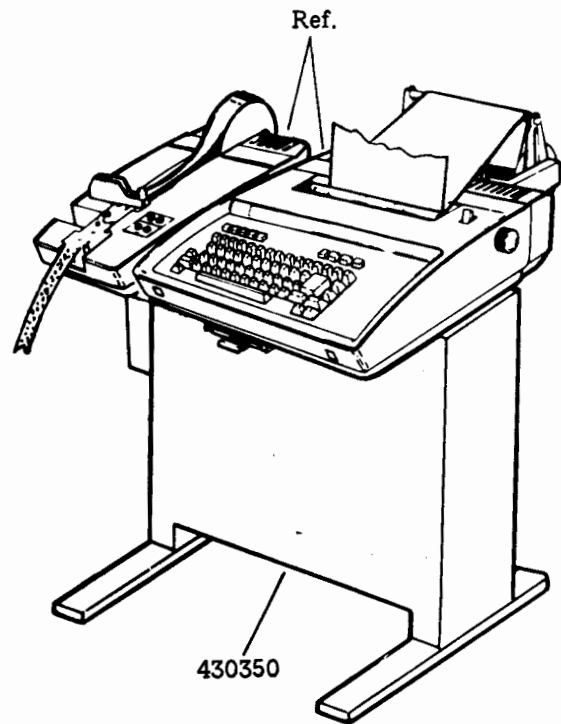
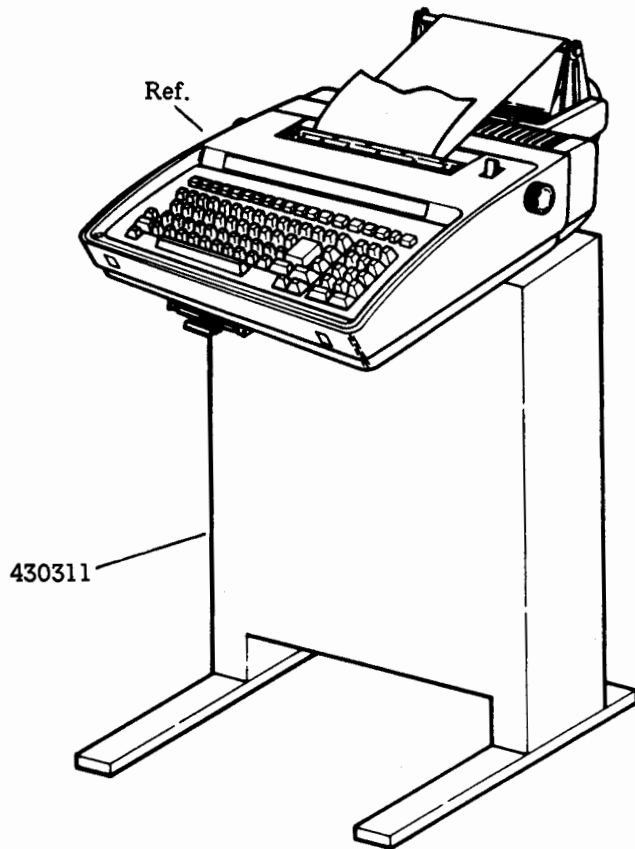
143306  
OR  
341686 (115 V Applications  
W/430760 Not part  
of 430530)

① Part of 430527

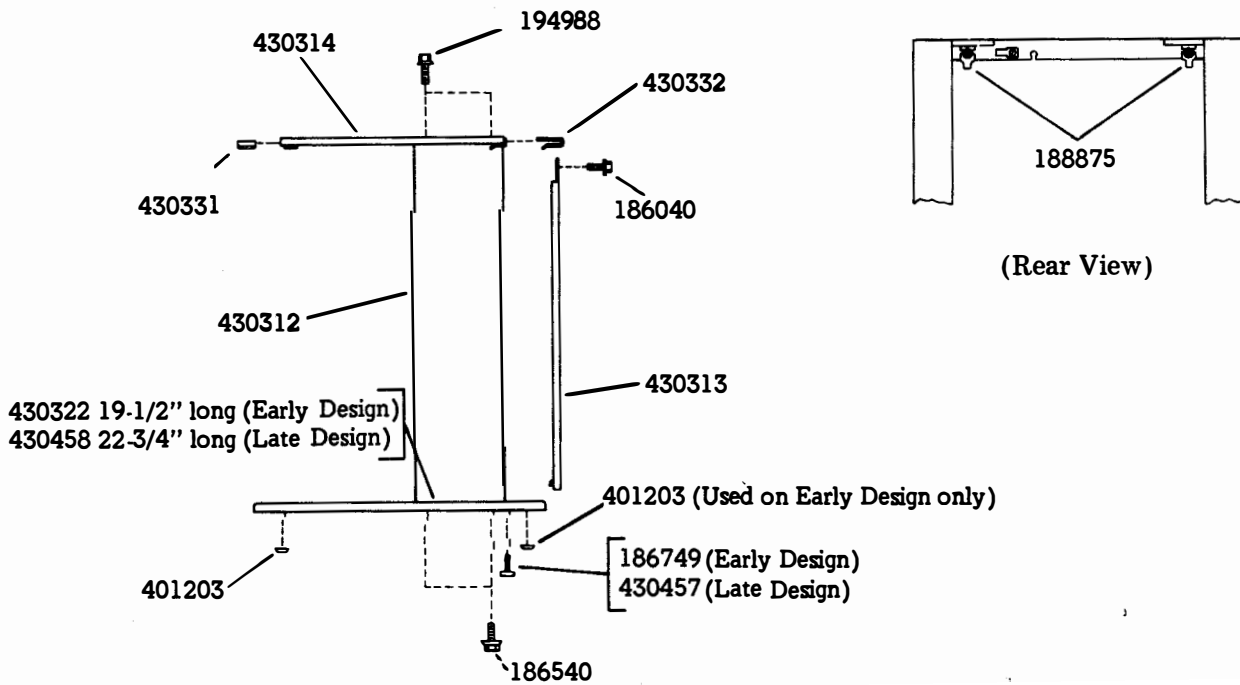


D. Pedestals

(1) 42/43 Pedestals



(a) 430311 Pedestal Assembly

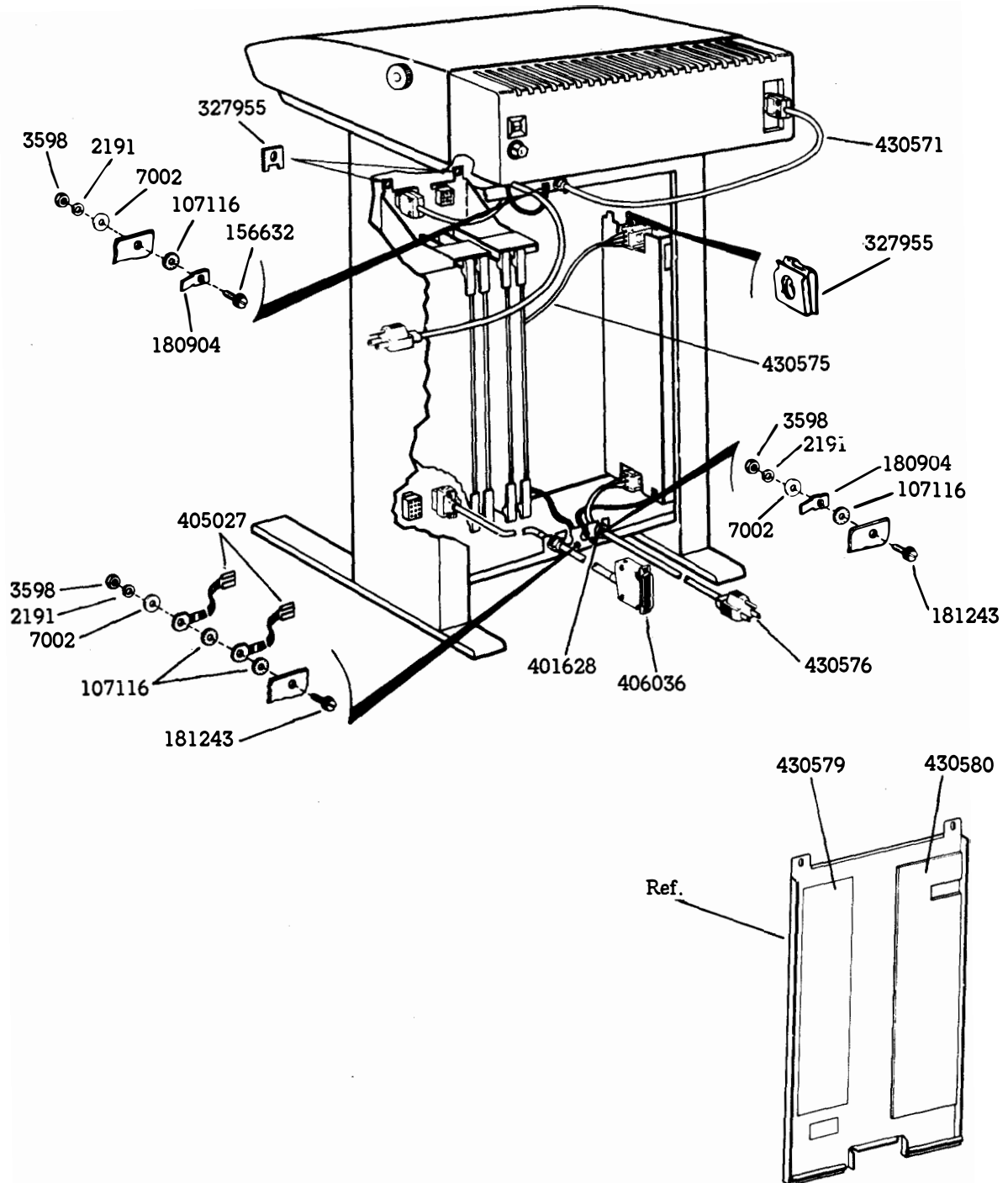


2. ENCLOSURES AND CABLES (Contd)

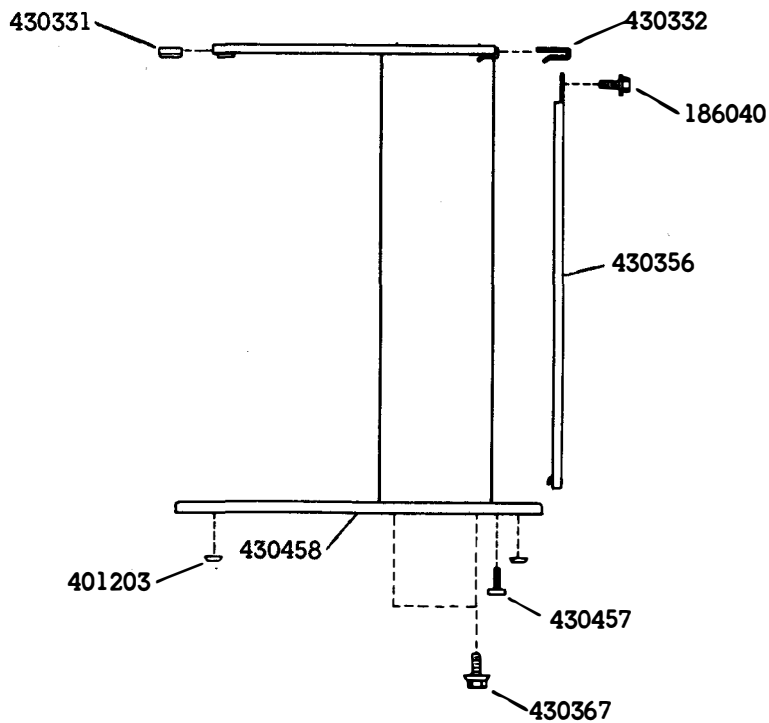
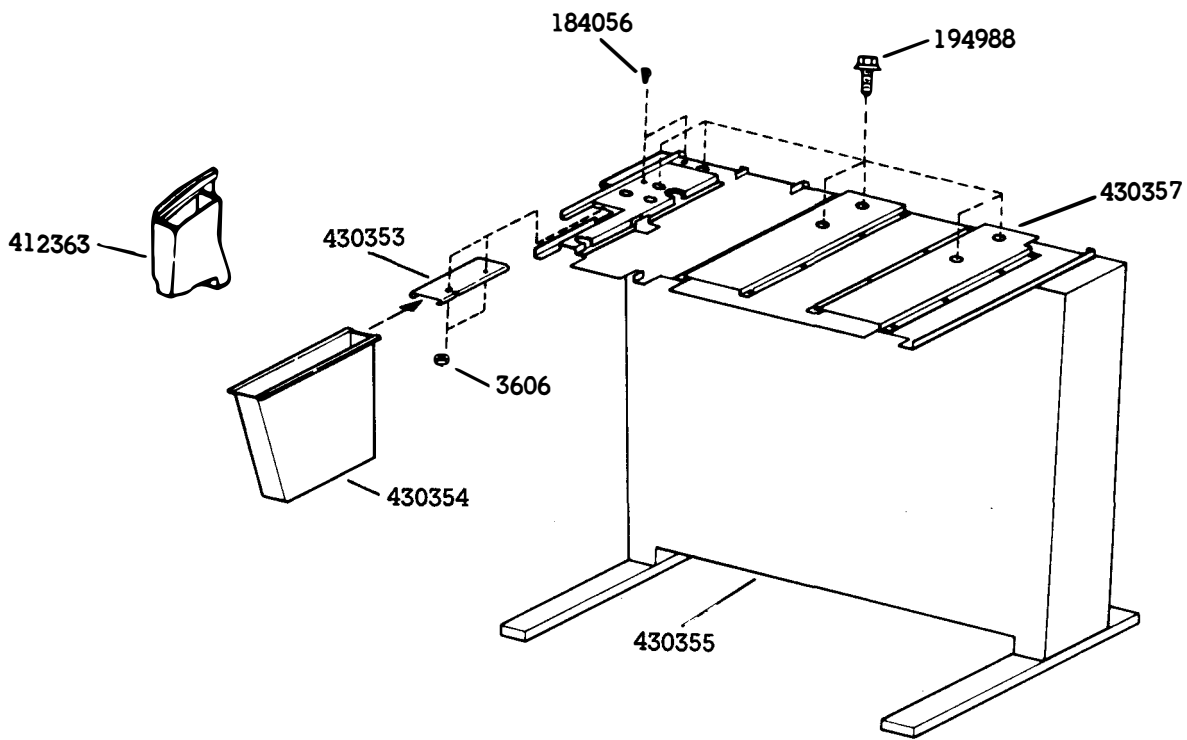
D. Pedestals (Contd)

(1) 42/43 Pedestals (Contd)

(b) Miscellaneous Pedestal Parts (not included with 430311 Pedestal Assembly)



(c) 430350 Pedestal Assembly

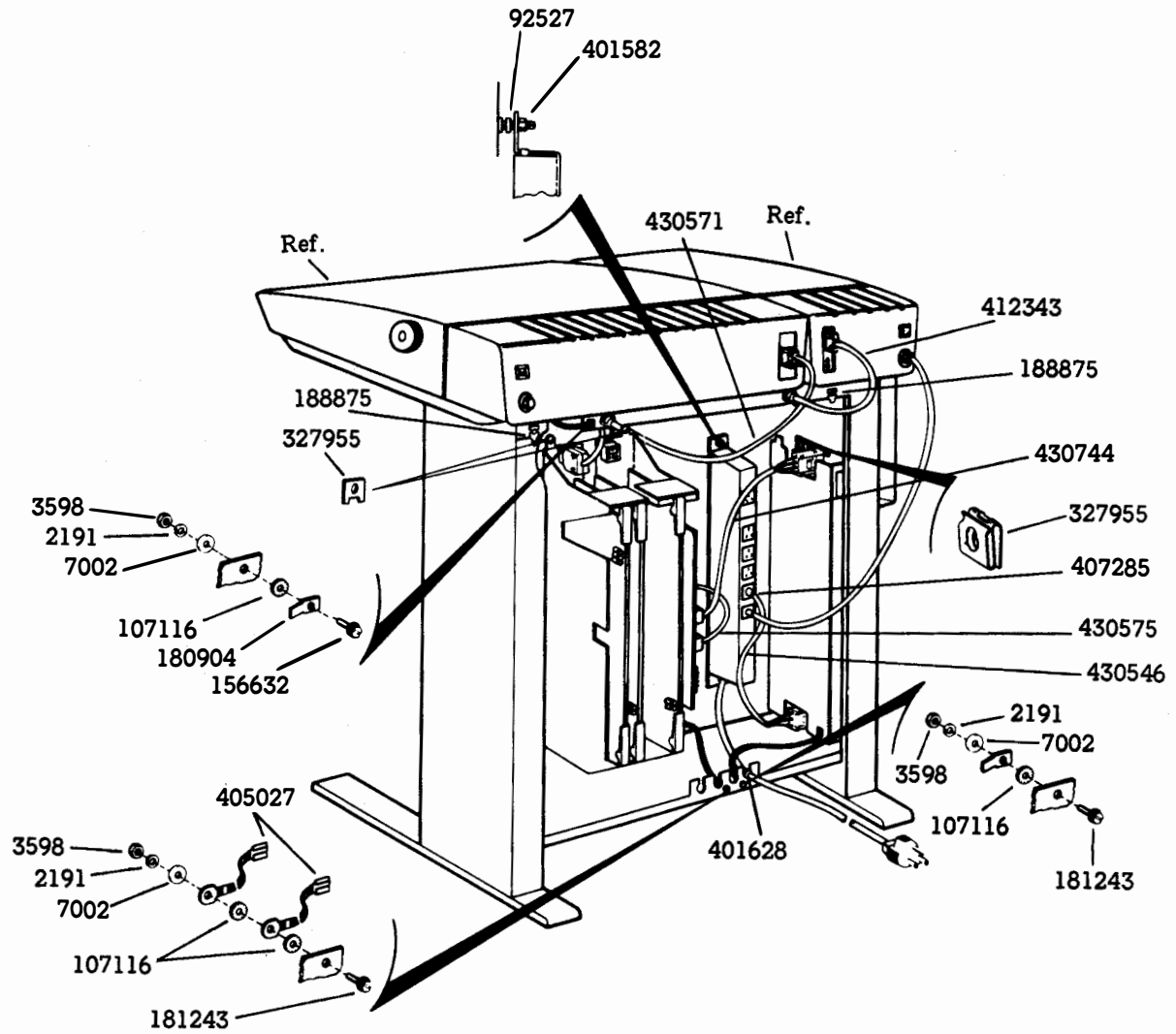


2. ENCLOSURES AND CABLES (Contd)

D. Pedestals (Contd)

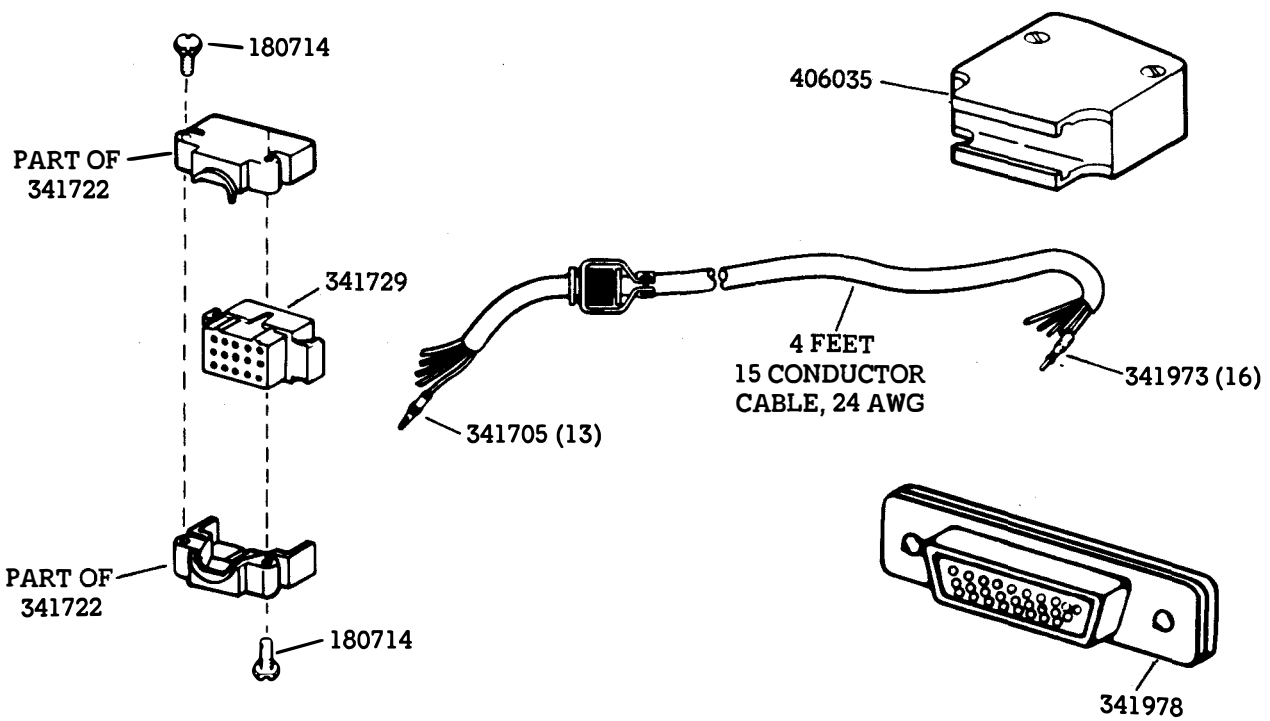
(1) 42/43 Pedestals (Contd)

(c) 430350 Pedestal Assembly (Contd)

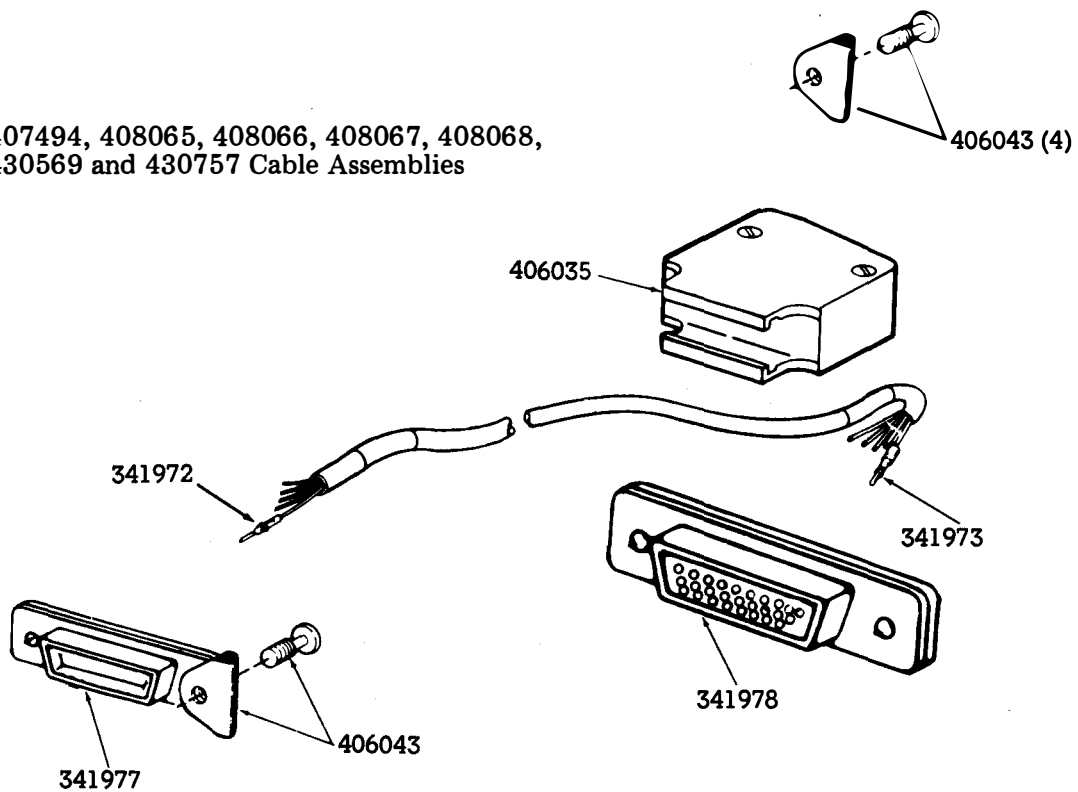


E. Cables

(1) 412343 EIA Cable Assembly



(2) 407494, 408065, 408066, 408067, 408068, 430569 and 430757 Cable Assemblies



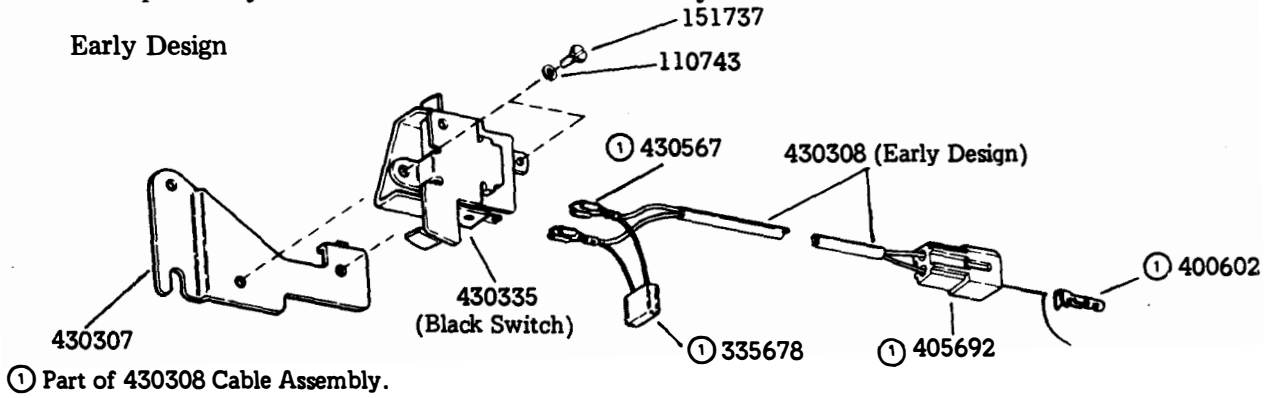
2. ENCLOSURES AND CABLES (Contd)

E. Cables (Contd)

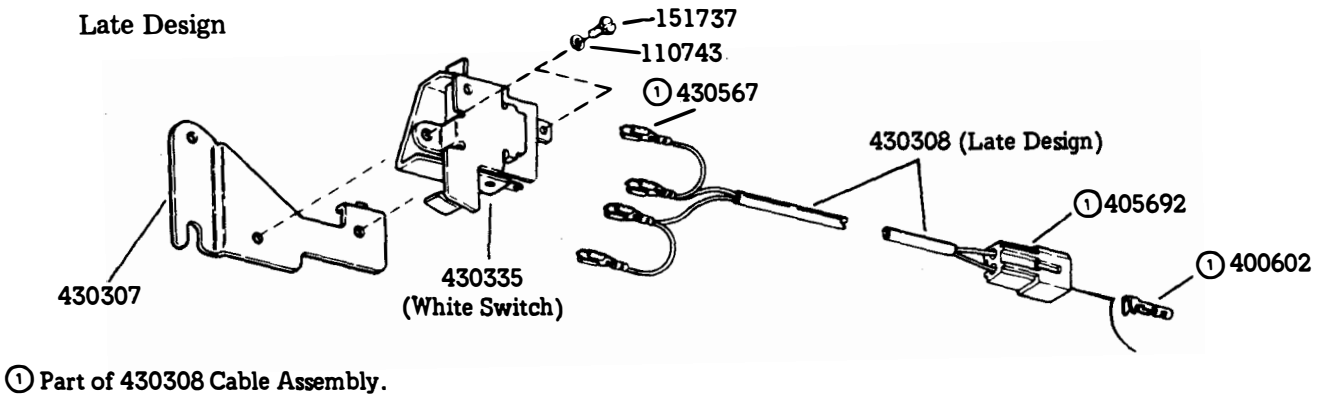
(3) 430317 Interlock Switch Assembly

Note: Replaced by 454623 Interlock Switch Assembly.

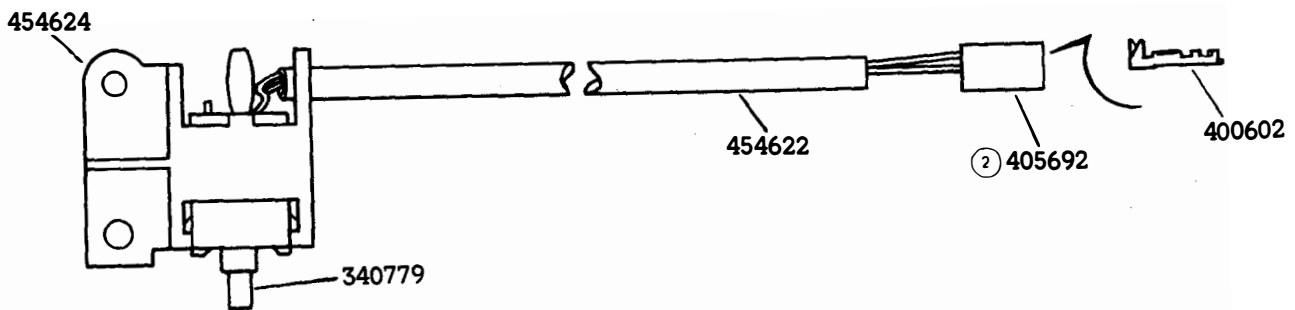
Early Design



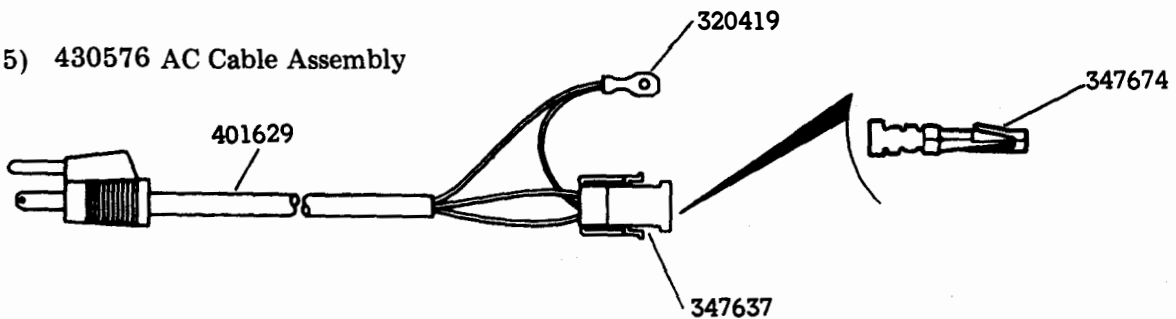
Late Design



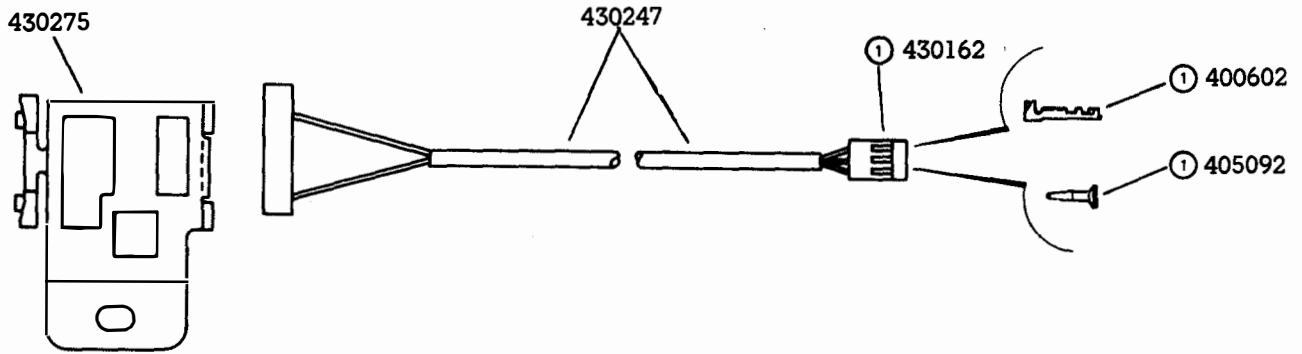
(4) 454623 Interlock Switch Assembly



(5) 430576 AC Cable Assembly

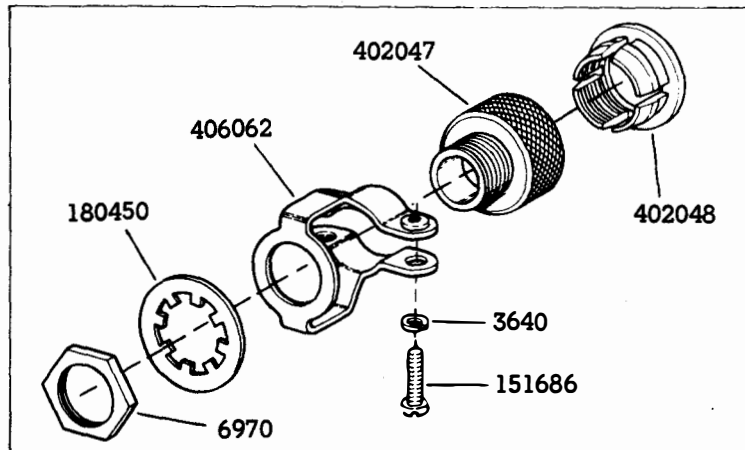
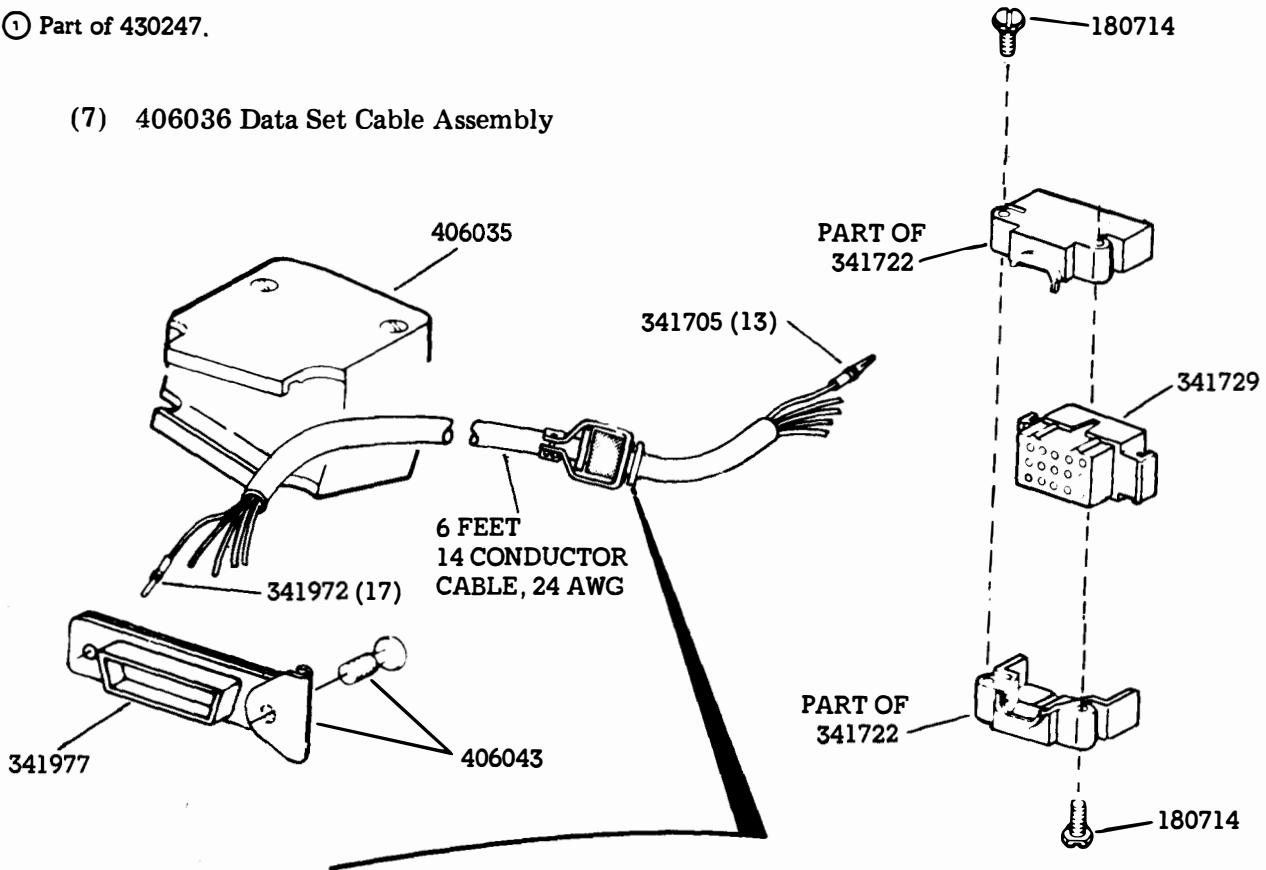


(6) 430246 Low Paper Switch Assembly



① Part of 430247.

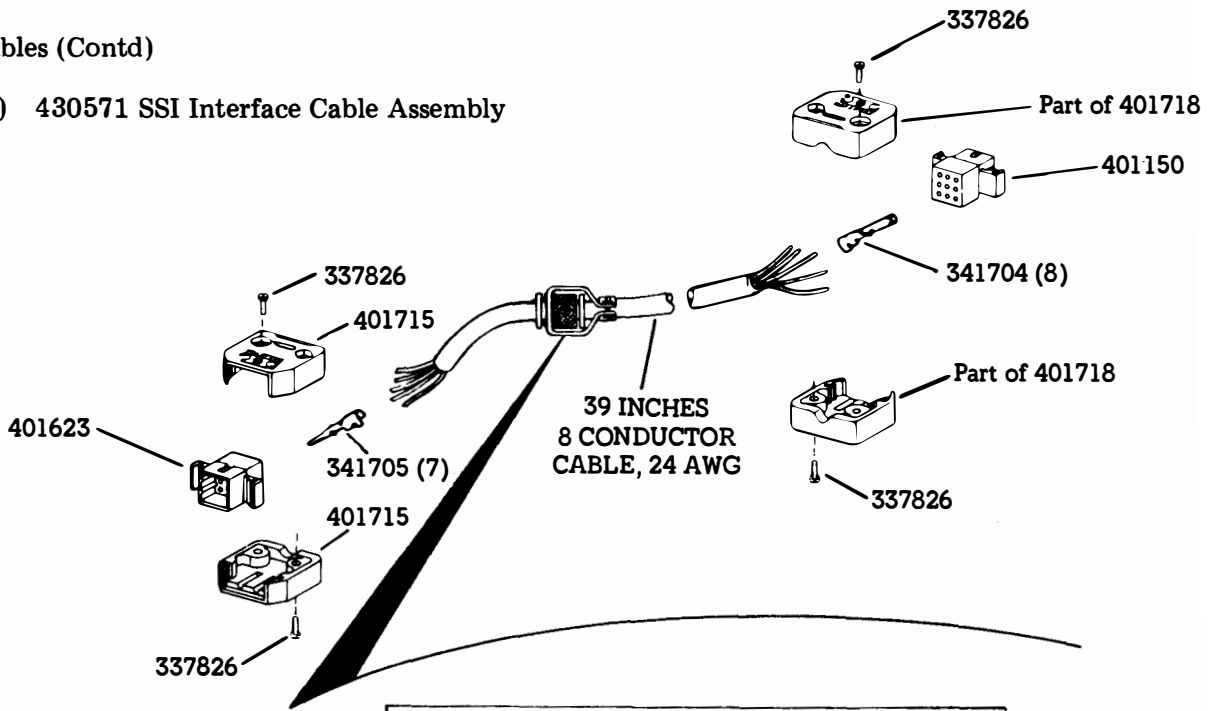
(7) 406036 Data Set Cable Assembly



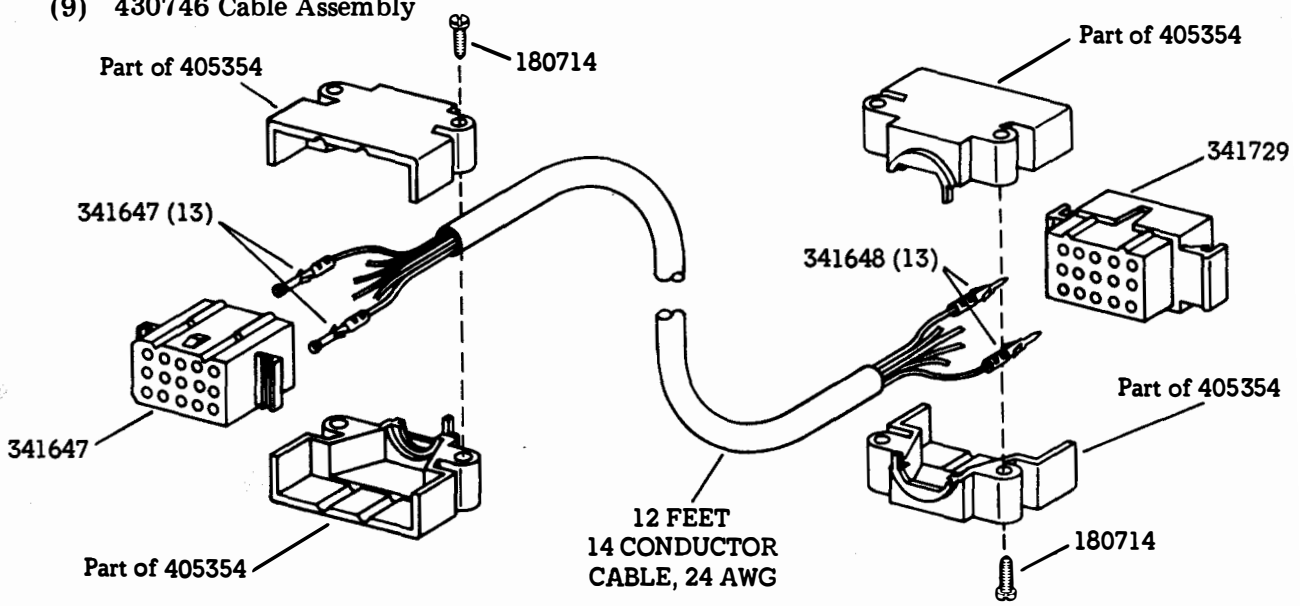
2. ENCLOSURES AND CABLES (Contd)

E. Cables (Contd)

(8) 430571 SSI Interface Cable Assembly

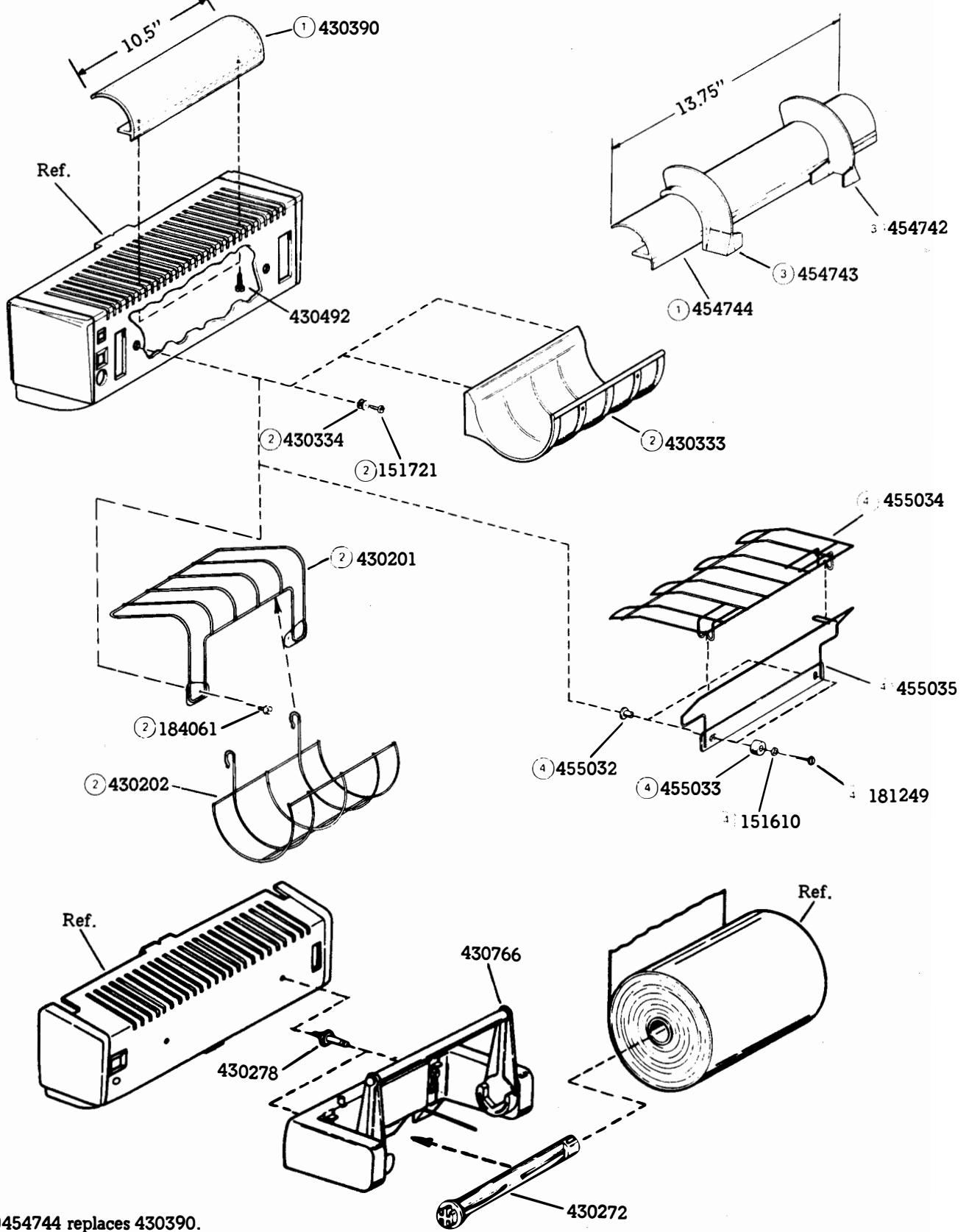


(9) 430746 Cable Assembly





3. PAPER HANDLING



① 454744 replaces 430390.

② 430333, 430334 and 151721 replaces 184061, 430201 and 430202 which must be used together.

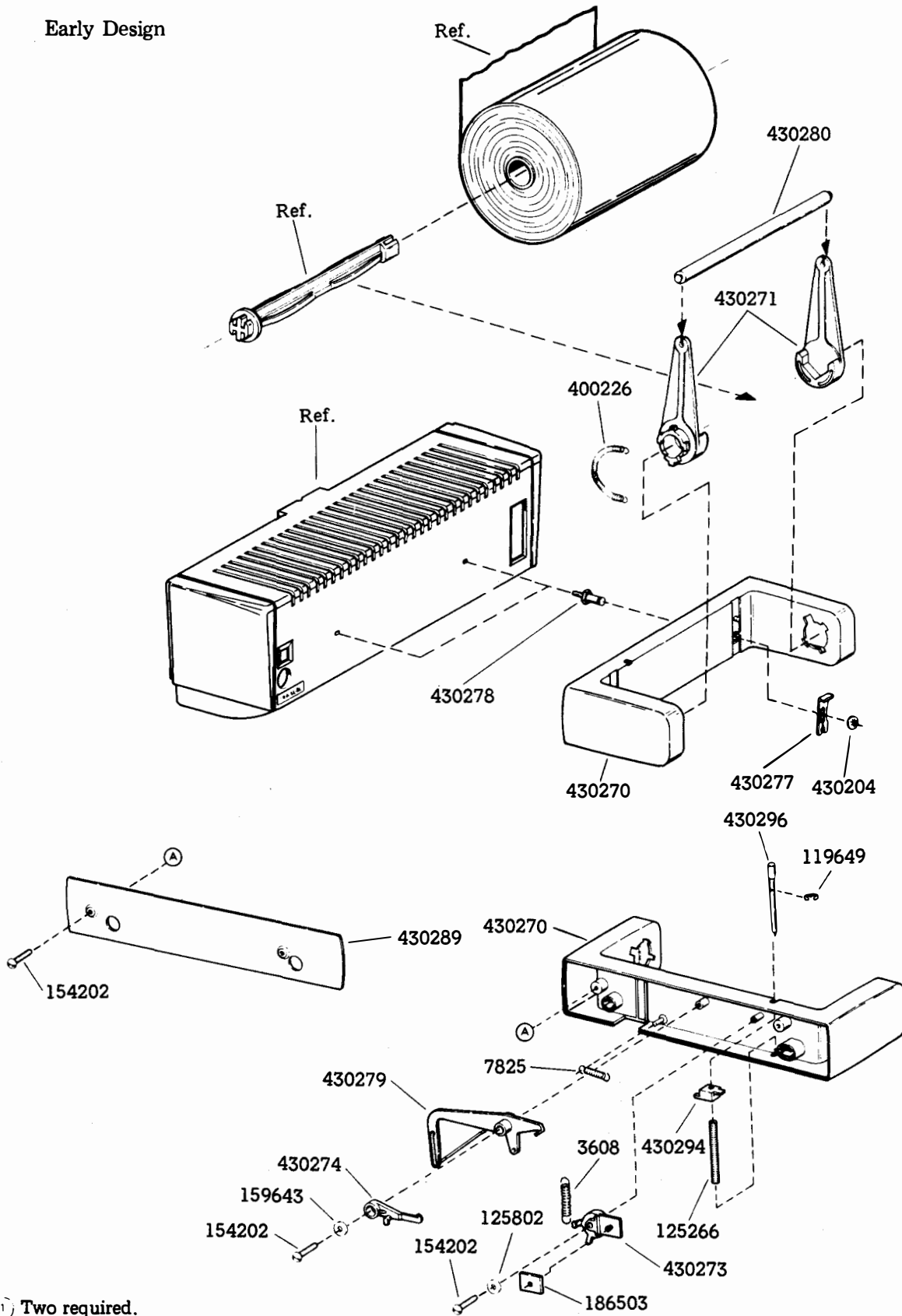
③ Tractor Feed only.

④ Part of 455036 paper separator modification kit, which includes 51083S specification.

3. PAPER HANDLING (Contd)

A. 430295 Paper Supply (Friction Feed)

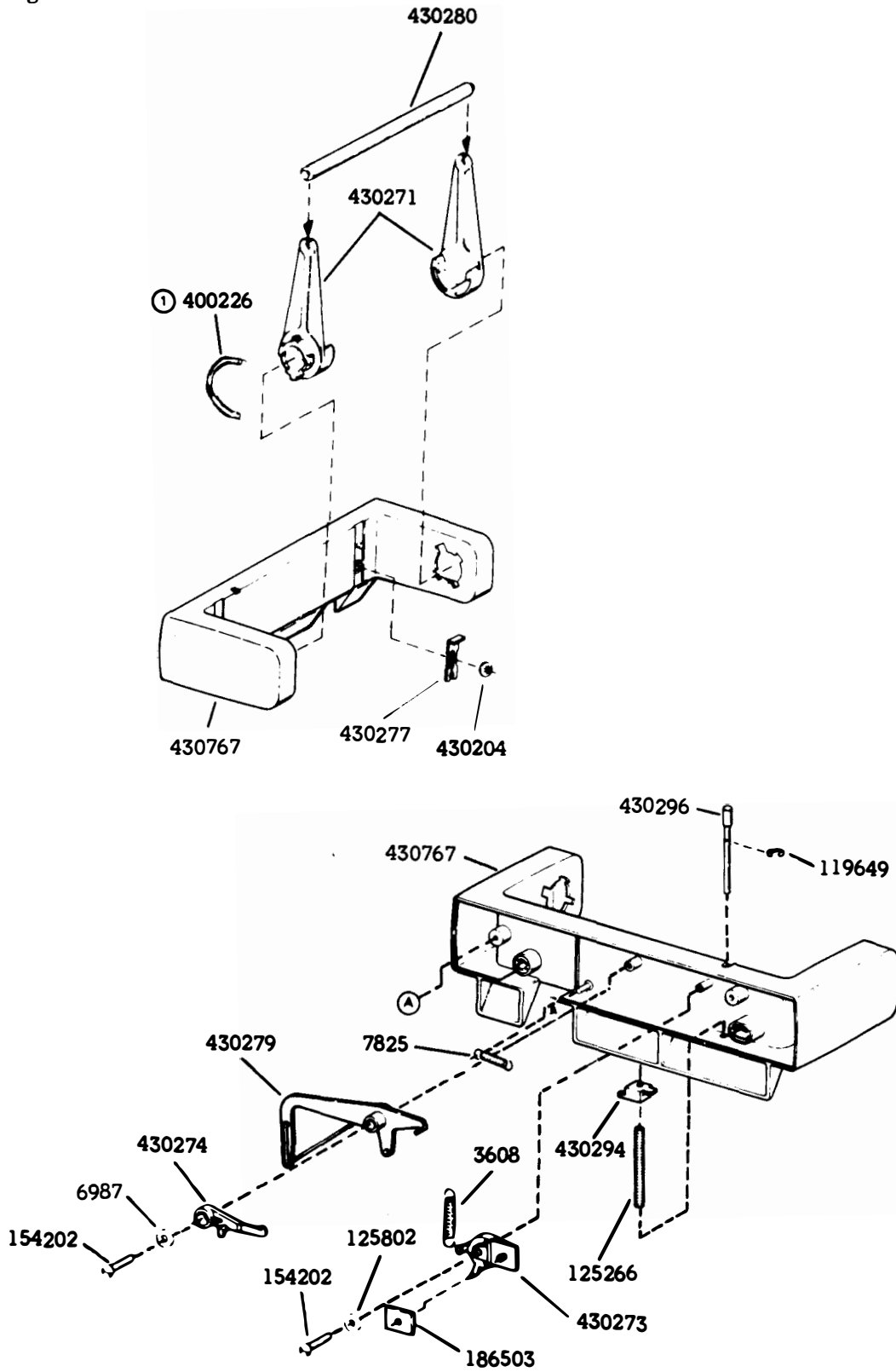
Early Design



① Two required.

B. 430766 Paper Supply (Friction Feed)

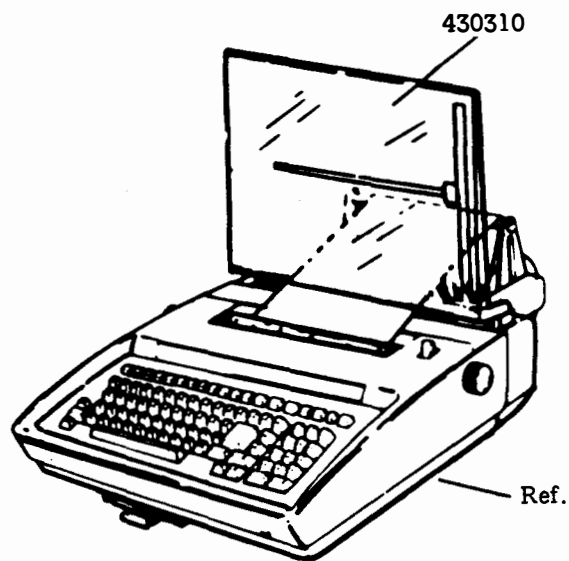
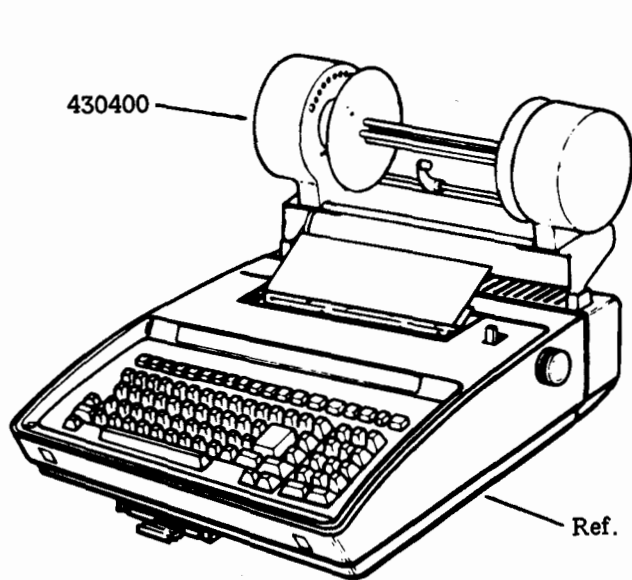
Late Design



① Two required.

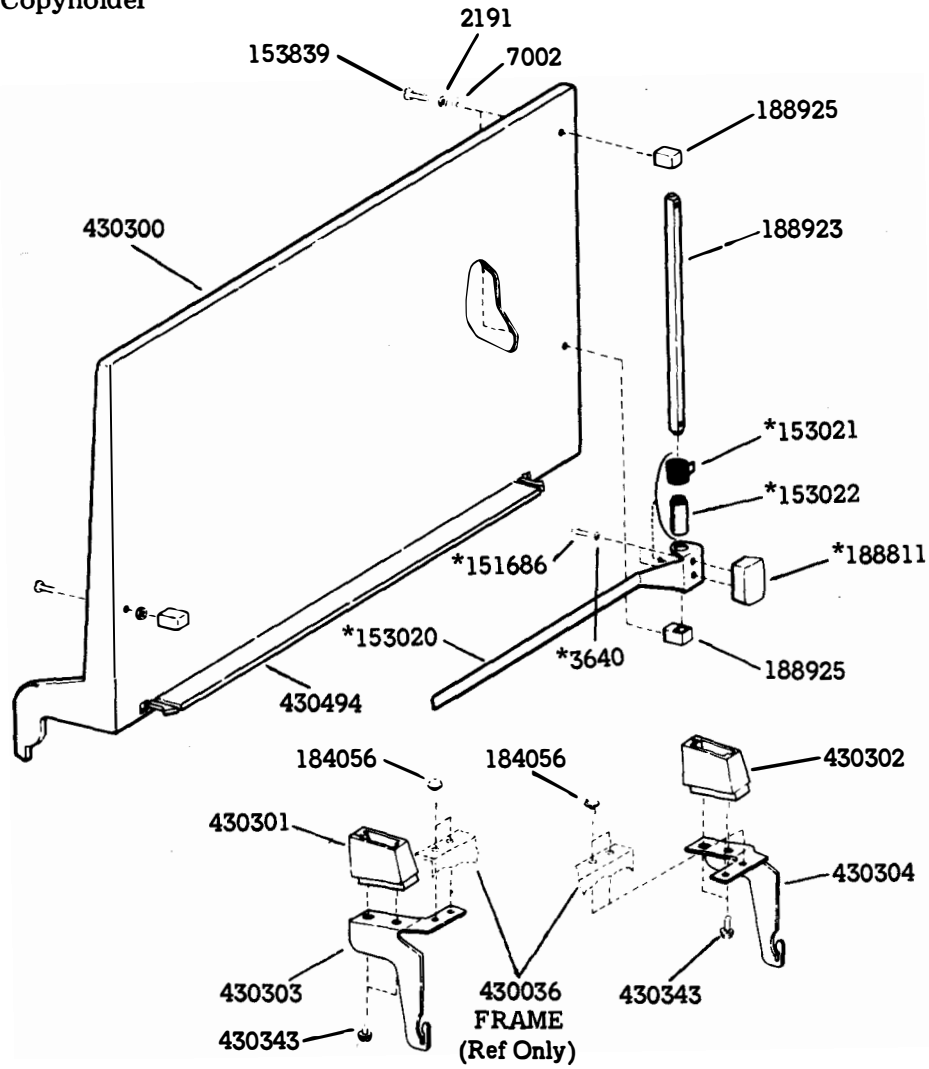
3. PAPER HANDLING (Contd)

ACCESSORIES



*Note:* Refer to Page 19 for 455036 Paper Separator Modification Kit.

A. 430310 Copyholder



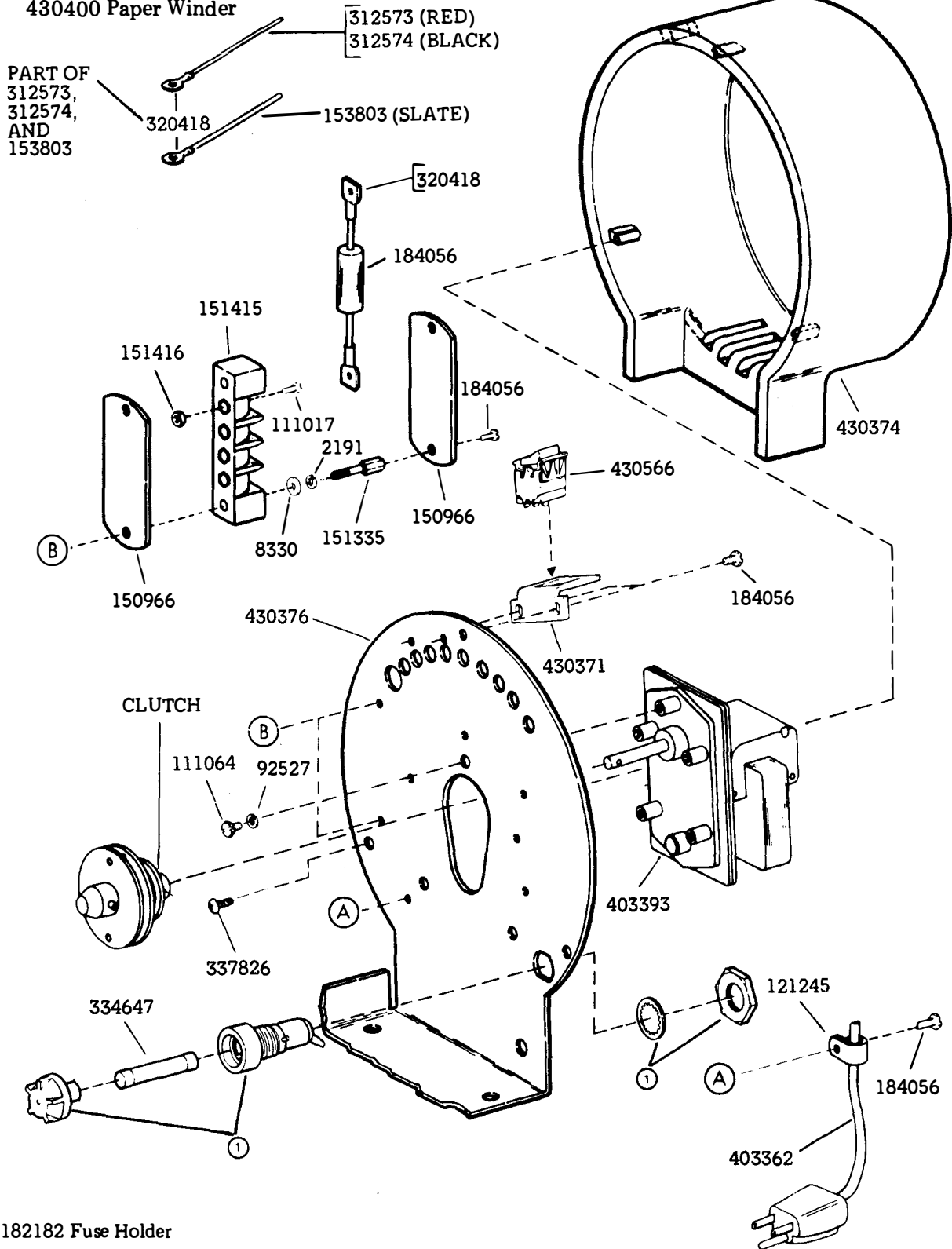
\*Part of 189036 line guide assembly.

Note: 50994S Specification is included with 430310 copyholder.

3. PAPER HANDLING (Contd)

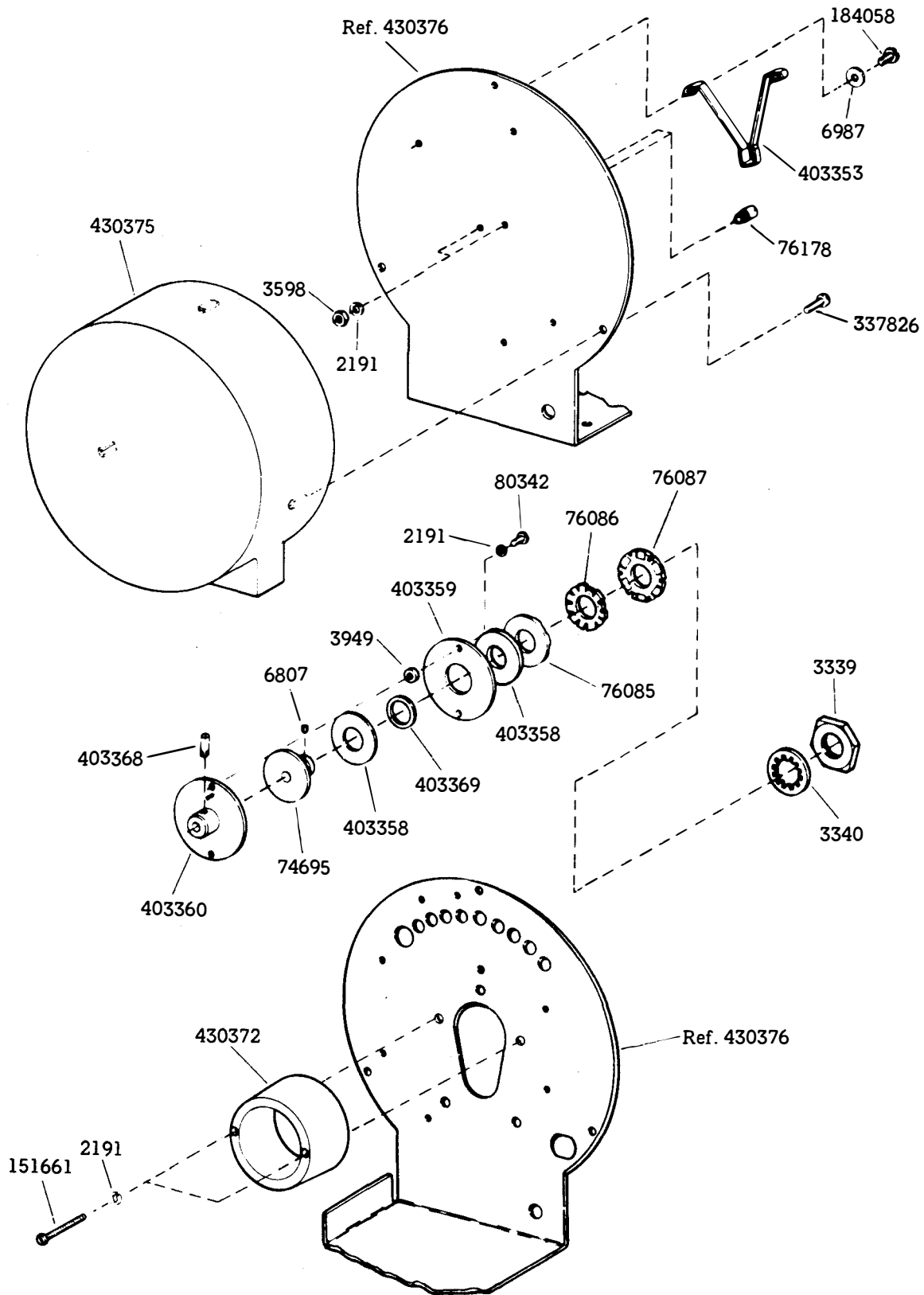
ACCESSORIES (Contd)

B. 430400 Paper Winder



① 182182 Fuse Holder

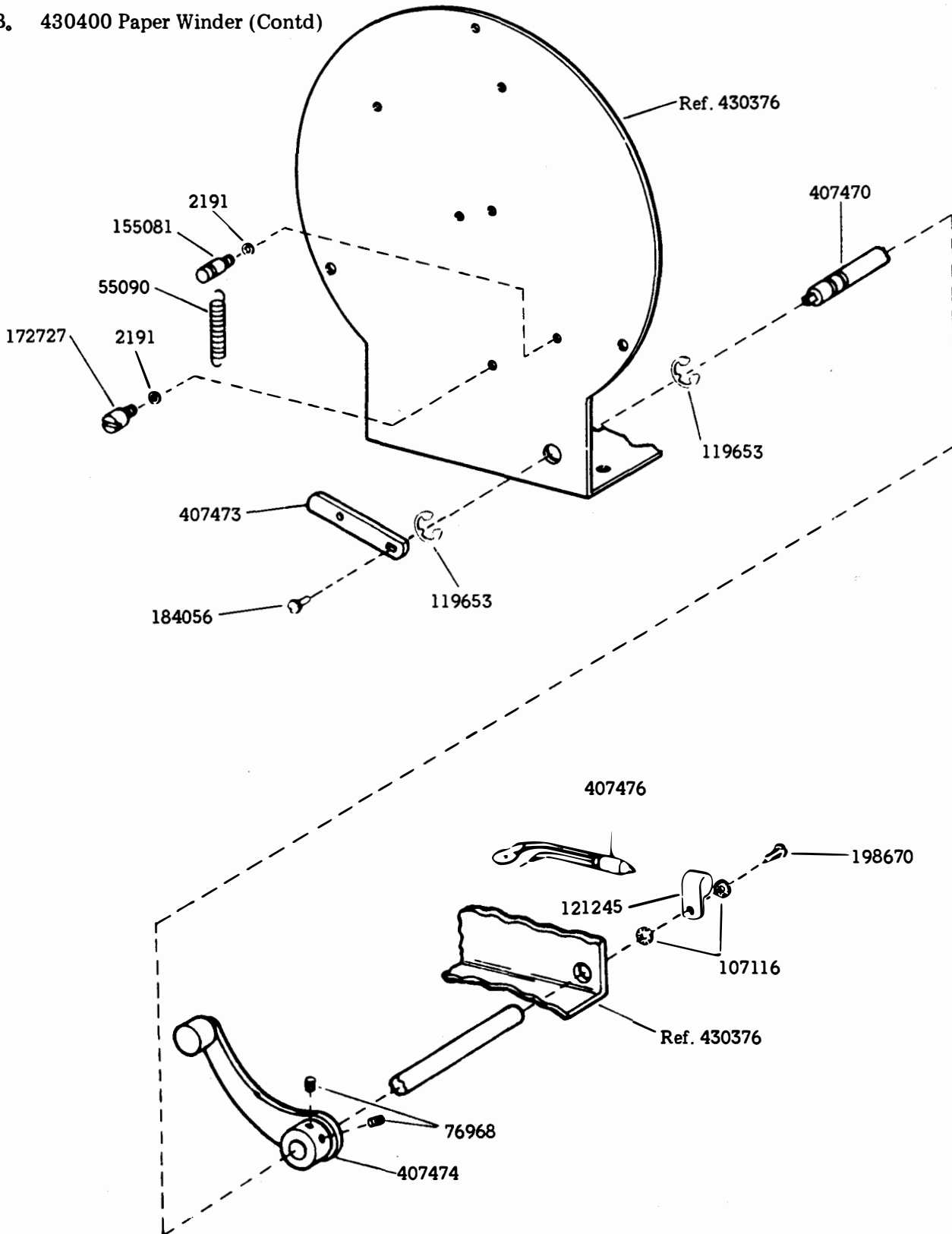
Note: 51035S Specification is included with 430400 Paper Winder.



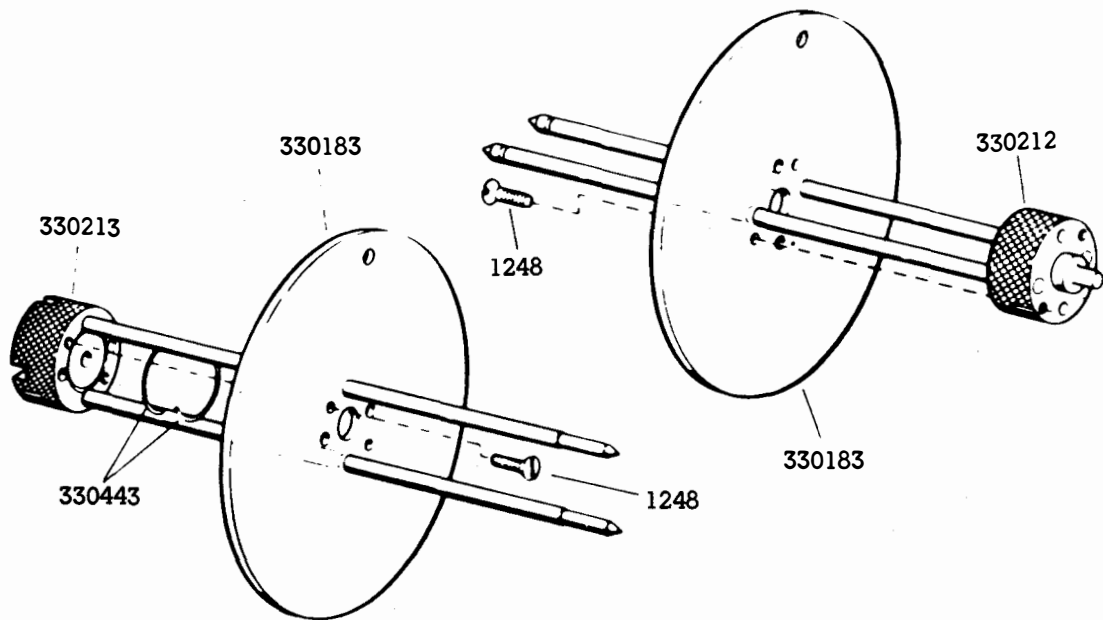
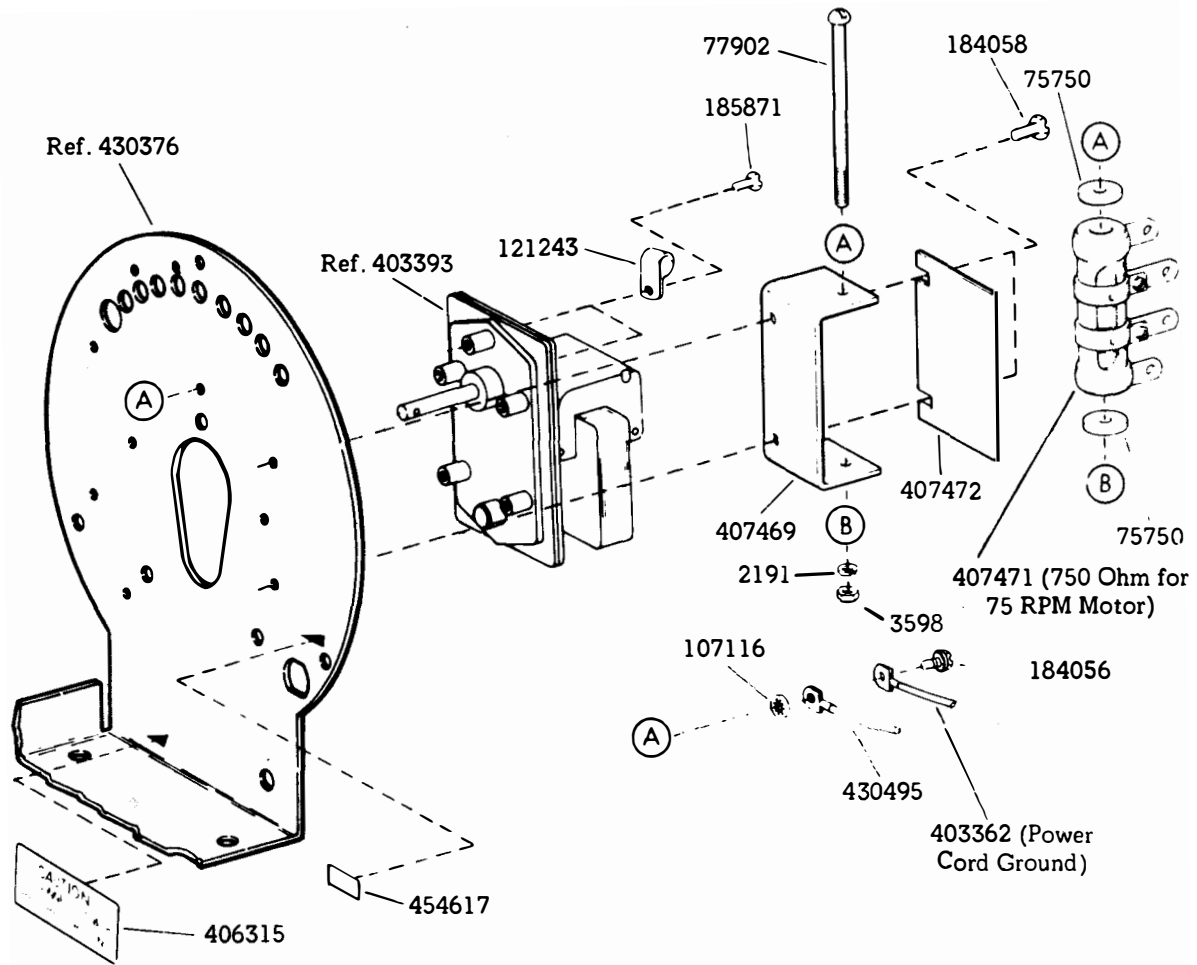
3. PAPER HANDLING (Contd)

ACCESSORIES (Contd)

B. 430400 Paper Winder (Contd)

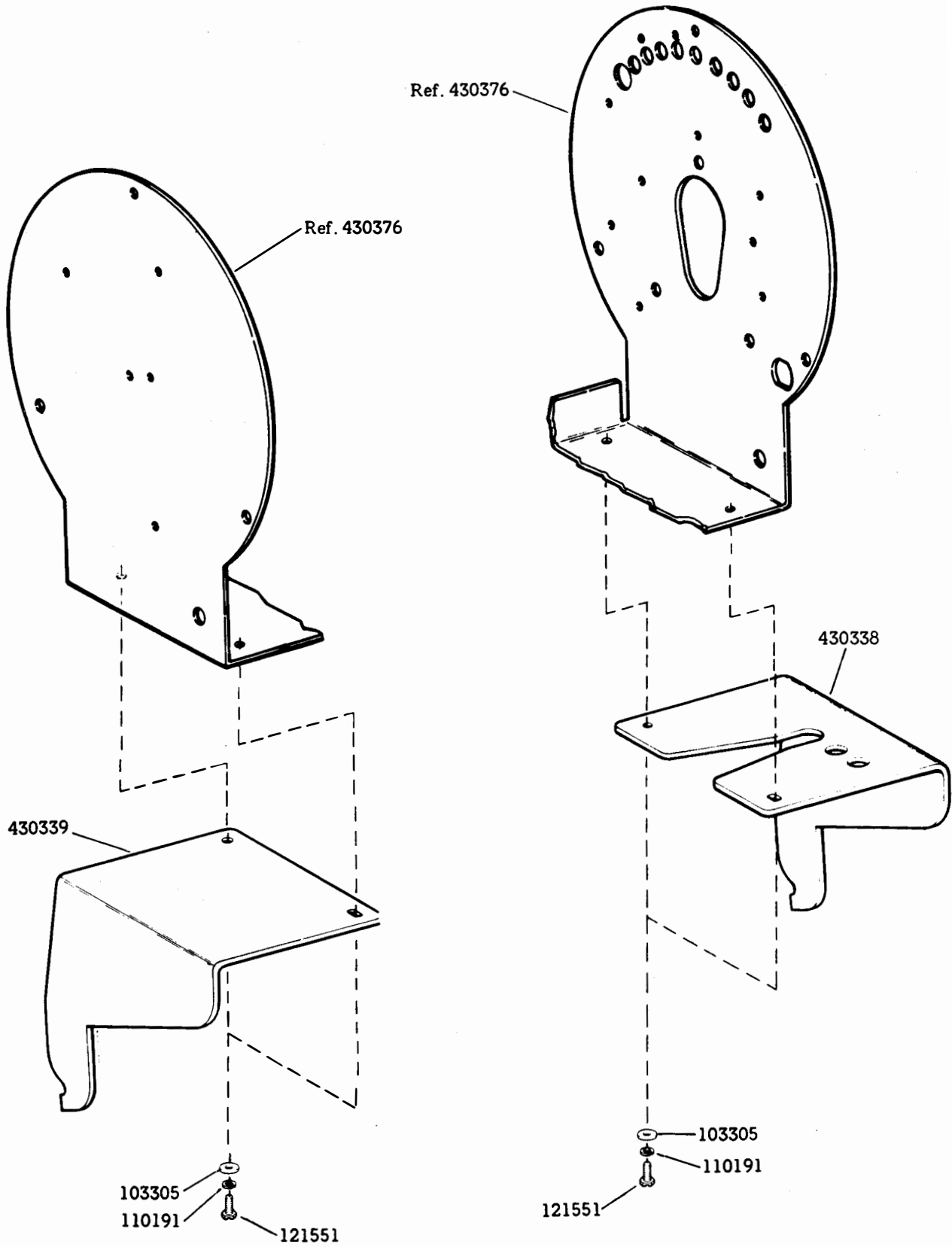


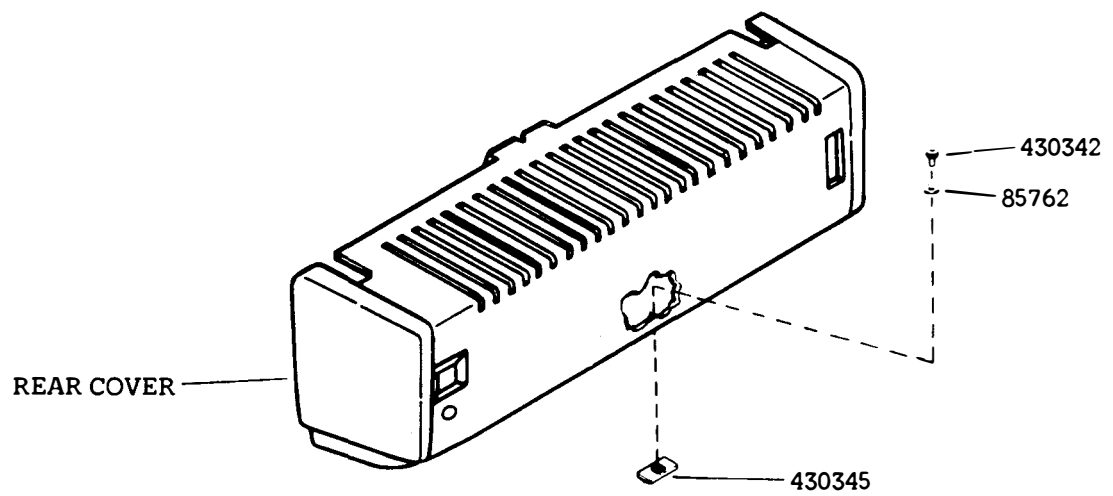
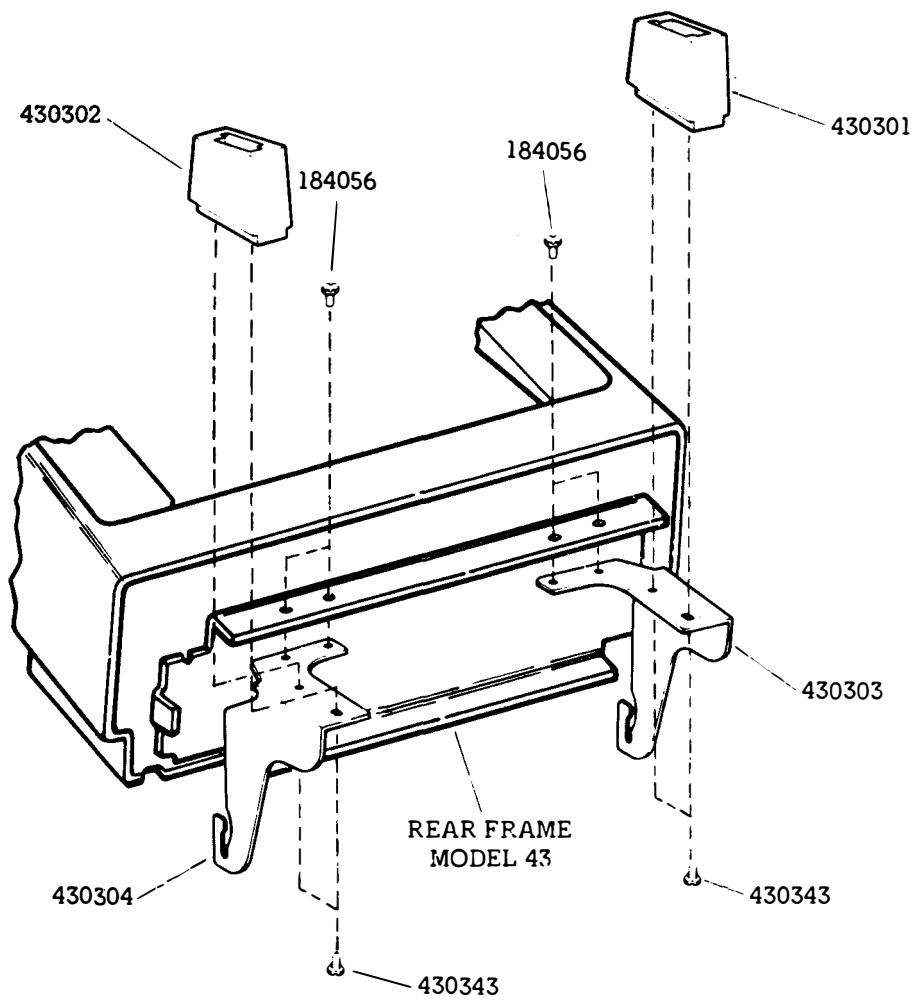




3. PAPER HANDLING (Contd)

B. 430400 Paper Winder (Contd)

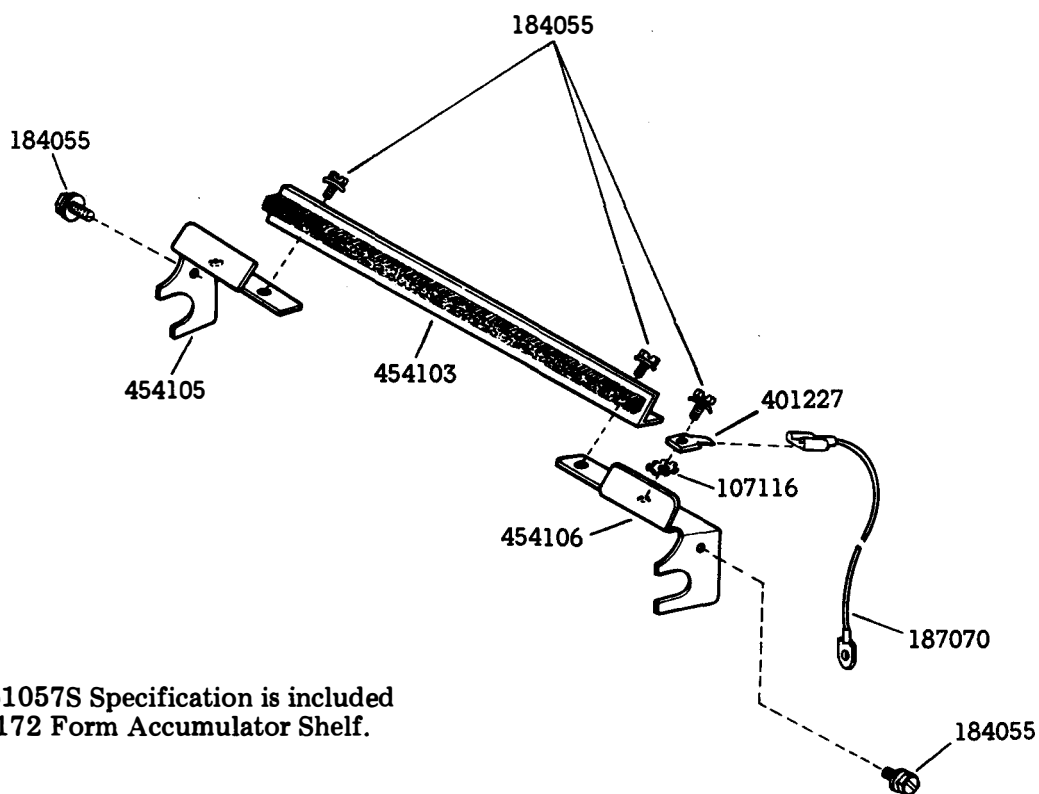
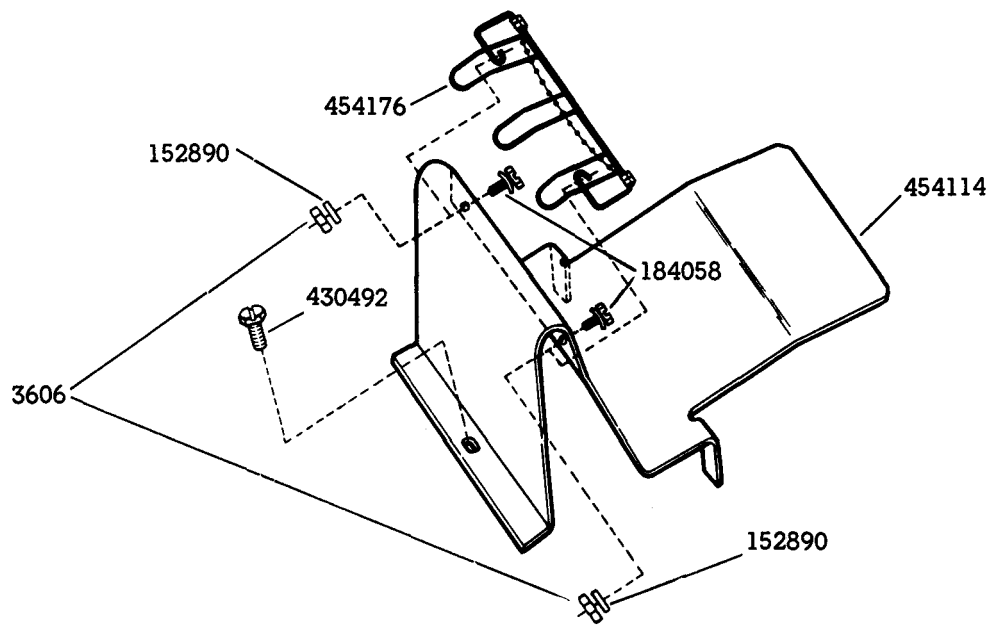




3. PAPER HANDLING (Contd)

ACCESSORIES (Contd)

C. 454172 Form Accumulator Shelf Modification Kit



*Note:* 51057S Specification is included with 454172 Form Accumulator Shelf.

## 4. NUMERICAL INDEX

Part Number	Description and Page Number	Part Number	Description and Page Number	Part Number	Description and Page Number
1248	Screw, 6-40 x 1/2 Flat 27	121551	Screw, 8-32 x 1/4 Hex 28	184058	Screw w/lockwasher 6-40 x 7/16 3,25,27, 30
2191	Lockwasher 12,14,23, 24,25,26,27	124612	Screw, 8-32 x 1/2 Hex 6		
3339	Nut, 9/16-32 Hex 25	125100	Washer, Flat 8	184061	Screw w/Lockwasher 6-40 x 5/8 Hex 3,19
3340	Lockwasher 25	125228	Nut, 10-32 Square 5,6,8	185676	Terminal, Plug Type 10
3438	Washer, Flat 8	125266	Spring, Compression 20,21	185677	Terminal, Receptacle Type 10
3598	Nut, 6-40 Hex 12, 14, 25,27	125802	Washer, Flat 20,21	185834	Plate, Fuse 3
3606	Nut, 6-40 Hex 13,30	143306	Fuse, SL-BL 1 Amp 10	185871	Screw w/Lockwasher 8-32 x 3/8 Hex 27
3608	Nut, 6-40 Hex 13,30	150966	Insulator, Terminal Block 24		
3608	Spring 20,21	151335	Stud 24	186040	Screw, #8 x 1/2 Spl 11, 13
3640	Lockwasher 17,18,23	151415	Block, Terminal 24	186503	Magnet 20,21
3646	Lockwasher 6,8	151416	Nut, 6-40 Hex 24	186540	Screw, 1/4-20 Spl 11
3949	Spacer, .160 In Thk 25	151610	Washer, Flat 19	186749	Bolt w/Cap 11
5599	Nut, 8-32 Hex 8	151661	Screw, 6-40 x 1 Fil 25	187070	Jumper, 12 In Green 30
6807	Setscrew, 6-40 25	151686	Screw, 4-40 x 3/8 Fil 17, 18, 23	187072	Network 24
6970	Nut, 3/8-32 Hex 17,18			188811	Knob 23
6987	Washer, Flat 21,25	151721	Screw, 6-40 x 3/4 Hex 19	188875	Nut, Speed 11,14
7002	Washer, Flat 12,23,24	151737	Screw, 4-40 x 11/64 Hex 16	188923	Shaft 23
7825	Spring 20,21	152890	Washer, Flat 30	188925	Post 23
8330	Washer, Flat 24	153020	Guide, Line 23	189036	Guide Assembly, Line 23
45815	Lockwasher 6,8	153021	Spring, Torsion 23	192007	Terminal, Tab Type 10
55090	Spring 26	153022	Bushing 23	194987	Screw, 8-32 x 3/8 Hex 8
74695	Sleeve, Clutch 25	153803	Jumper, 5 In Slate 24	194988	Screw, 10-32 Spl 11,13
75750	Washer, Insulating 27	153839	Screw, 6-40 x 5/8 Hex 23	198670	Screw, w/Lockwasher 6-40 x 5/16 Hex 26
76085	Disc, Friction 25	154202	Screw, #4 Spl 20,21	312573	Jumper, 6 In Red 24
76086	Washer, Spring 25	155081	Post, Spring 26	312574	Jumper, 6 In Black 24
76087	Nut, 9/16-32 Friction 25	156632	Screw, 6-40 x 13/32 Hex 12,14	312918	Strap, Cable 10
76178	Stud 25			320418	Terminal, Ring Type 16,24
76968	Setscrew, 6-32 26	156740	Screw, 6-40 x 7/32 Hex 24	320419	Terminal, Ring Type 10, 16
77902	Screw, 6-40 x 2-3/8 Rd 27			326755	Cable 10
80342	Screw, 6-40 23/64 Hex 25	156887	Screw, 10-32 x 9/16 Hex 6	327955	Nut, Speed 12,14
83497	Washer, Flat 6,8	172727	Post 26	330183	Flange 27
85762	Washer, Flat 29	179495	Screw, 10-24 x 1/2 Hex 8	330212	Flange, Right 27
92527	Lockwasher 14,24	180450	Keytop 17	330213	Flange, Left 27
93191	Screw, 4-40 x 5/16 Flat 10	180714	Screw #6 Self-Tapping 15,17,18	330443	Spring 27
98642	Lockwasher 5,8			334647	Fuse 24
103305	Washer, Flat 5,8,28	180904	Tab, Terminal 12,14	335678	Capacitor, .47MFD 16
107116	Lockwasher 10,12,14, 26,27,30	181240	Screw w/Lockwasher 6-40 x 3/16 Hex 10	336493	Post 10
108450	Lockwasher 18	181241	Screw w/Lockwasher 6-40 x 1/4 Hex 10	337826	Screw, 1/2 In Pan Hd 18, 24,25
110191	Lockwasher 28			340779	Keyswitch 16
110435	Nut, 4-40 Hex 10	181243	Screw w/Lockwasher 6-40 x 3/8 Hex 12,14	341647	Terminal, Receptacle Type 18
110743	Lockwasher 10,16			341648	Terminal, Plug Type 18
111017	Screw, 6-40 x 5/16 Fil 24	181249	Screw w/Lockwasher 6-40 x 1 Hex 19	341674	Connector, 3PT Receptacle 10
111064	Screw, 8-32 x 3/8 Rd 24				
112626	Nut, 10-32 Hex 8	182182	Hölder, Fuse 10,24		
117608	Nut, Speed 3	182531	Clip, Speed 8		
119649	Ring, Retaining 20,21	184055	Screw w/Lockwasher 6-40 x 3/16 Hex 30		
119653	Ring, Retaining 26				
121243	Clamp, 3/16 ID Cable 27	184056	Screw w/Lockwasher 6-40 x 1/4 Hex 13,23, 24,26,27,29		
121245	Clamp, 5/16 ID Cable 24, 26				

## 4. NUMERICAL INDEX (Contd)

Part Number	Description and Page Number	Part Number	Description and Page Number	Part Number	Description and Page Number
341686	Fuse, 1.5A 10	405092	Plug, Polarizing 17	430250	Housing w/Holder 3
341704	Terminal, Receptacle Type 18	405354	Strain Relief 18	430251	Plate, Cover 3
341705	Terminal, Plug Type 15, 17,18	405692	Connector 16	430252	Plate, Cover 3
341711	Clamp, Cable 8	406035	Clamshell 15,17	430270	Support, Roll Paper 20
341722	Clamp, Cable 15,17	406036	Cable Assembly 12,17	430271	Lever, Arm 20,21
341729	Connector, 15 PT Plug 15,17,18	406043	Screw, 4-40 x 1/4, Retaining 15,17	430272	Spindle, Paper 19,20
341797	Screw w/Lockwasher 6-32 x 5/16 Hex 8	406062	Clamp 17,18	430273	Cam, Low Paper 20,21
341972	Pin, Contact 15,17	406315	Label, Instruction 27	430274	Follower, Cam 20,21
341973	Socket, Contact 15	407285	Panel Assembly 14	430275	Bracket, Mtg. 16
341977	Connector, 25 PT Receptacle 15,17	407469	Bracket, Mtg. 27	430277	Latch 20,21
341978	Connector, 25 PT Plug 15	407470	Shaft 26	430278	Post 19
347637	Connector, Receptacle 16	407471	Resistor, 750 Ohm, Adj. 27	430279	Lever, Paper Sensor 20,21
347674	Terminal, Female 16	407472	Insulator 27	430280	Roller, Paper 20,21
400226	Spring 20,21	407473	Lever, Stop 26	430283	Cover 4
400602	Terminal, Crimp 16,17	407474	Arm Assembly, Sensing 26	430284	Scale, 80 Column 3
401150	Connector, 9 PT Receptacle 18	407476	Switch, Merc. w/Terminal 26	430289	Plate, Rear Cover 20
401203	Bumper 5,11,13	407494	Cable Assembly 15	430290	Cover, Bustle 3
401223	Screw, 10-32 Shoulder 5,8	408065	Cable Assembly 15	430294	Lever, Reset 20,21
401227	Tab, Terminal 30	408066	Cable Assembly 15	430295	Paper Supply Assembly 20
401239	Screw, 8-18 Spl 6,8	408067	Cable Assembly 15	430296	Shaft, Lever 20,21
401582	Nut, w/Lockwasher 8-32 Hex 14	408068	Cable Assembly 15	430300	Backboard 23
401623	Connector, 9PT Plug 18	411494	Label Assembly 4	430301	Mount, Retaining (Left) 23,29
401628	Bushing 10,12,14	412276	Holder, Fuse 10	430302	Mount, Retaining (Right) 23,29
401629	Cord w/Plug 16	412343	Cable Assembly 14,15	430303	Bracket, Mtg. (Left) 23,29
401715	Relief, Strain 18	412363	Chute Assembly, Chad 13	430304	Bracket, Mtg. (Right) 23, 29
401718	Relief, Strain 18	412393	Connector 10	430305	Cover, Bksr 4
402047	Bushing 17,18	412394	Cord Assembly 8	430306	Cover, Bksr, FF 4
402048	Bushing, Slotted 17, 18	430036	Plate, Back 23	430307	Plate, Switch 16
402243	Label, Warning 8	430136	Cover 4	430308	Cable Assembly 16
403353	Spring, Retainer 25	430139	Scale 3	430310	Copyholder Assembly 22,23
403358	Washer, Clutch 25	430140	Button 3	430311	Pedestal Assembly 11,12
403359	Disk, Drive 25	430141	Knob w/Insert 3	430312	Cabinet 11
403360	Brace, Drive 25	430148	Clamp 3	430313	Panel, Rear 11
403362	Cord Assembly 24,27	430149	Plate, Nut 3	430314	Tray, Top 11
403368	Post 25	430162	Connector, 6 Pin 17	430317	Switch Assembly 16
403369	Bearing 25	430177	Button, Actuator 3,6,8	430322	Leg w/Weldnut 11
403393	Motor, Gear Reducer 24,27	430181	Bustle 3	430328	Label, Option 4
403701	Terminal, Push-on 10	430201	Reflector, Paper 19	430329	Label, Option 4
405027	Lead w/Terminal, elec. 12,14	430202	Holder, Paper 19	430331	Retainer 11,13
		430204	Nut, Push 20,21	430332	Clip, Retaining 11,13
		430207	Label, Instruction 3	430333	Holder, Rear Paper 19
		430208	Holder, Card 4	430334	Bushing 19
		430209	Card, Directory 4	430335	Switch Assembly 16
		430210	Card Assembly, Directory 4	430338	Bracket, Left 28
		430233	Label 4	430339	Bracket, Right 28
		430234	Label, Maintenance 4	430342	Screw, #6 x 5/16 Self Tapping 29
		430246	Switch Assembly 8,17	430343	Screw, #6 x 3/8 Self Tapping 23,29
		430247	Cable Assembly 17		

Part Number	Description and Page Number	Part Number	Description and Page Number	Part Number	Description and Page Number
430345	Support, Weight 29	430534	Label 3	454105	Bracket 30
430350	Pedestal Assembly 11,13, 14	430546	Cable Assembly 14	454106	Bracket 30
430353	Bracket, Chad Box 13	430550	Frame Assembly, Rear 8,10	454109	Cover 5,6
430354	Quip, Cerm, 64 Contact 13	430551	Frame, Rear 10	454110	Base 5,6
430355	Cabinet 13	430561	Cable Assembly 10	454114	Paper Accumulator 30
430356	Panel, Rear 13	430566	Switch, Rocker 10,24	454115	Hinge 6
430357	Tray 13	430567	Terminal, Female 16	454116	Bracket, Clamp (Right) 6
430358	Label Assembly, Opcon 4	430569	Cable Assembly 15	454117	Bracket, Clamp (Left) 6
430359	Label 4	430571	Cable Assembly 12,14, 18	454119	Arm Assembly, Stop 5,8
430361	Label 4	430575	Cable Assembly 12,14	454120	Cabinet Assembly 5,6
430362	Label 4	430576	Cord Assembly 12,16	454123	Clamp, Rear (Right) 6
430363	Label 4	430579	Decal 12	454124	Clamp, Rear (Left) 6
430367	Screw, 1/4-20 x 5/8 Hex Self Locking 13	430580	Pad, Foam 12	454127	Clamp, Shipping (Left) 8
430371	Bracket, Switch Mtg. 24	430669	Cover, Snap-in 3	454128	Clamp, Shipping (Right) 8
430372	Cover, Clutch 25	430670	Cover w/Screen 3	454133	Cover, Snap-in 5
430374	Cover, Winder (Left) 24	430744	Cable Assembly 14	454134	Bumper 5
430375	Cover, Winder (Right) 25	430746	Cable Assembly 18	454135	Clamp, Rear (Left) 8
430376	Frame, Winder 24,25,26, 27,28	430757	Cable Assembly 15	454136	Clamp, Rear (Right) 8
430380	Card Assembly, Directory 4	430760	Power Supply Assembly 10	454139	Cover, Fill-in 8
430381	Label 4	430766	Power Supply Assembly 19,21	454140	Label, Instruction 6
430390	Deflector, Paper-in 19	430767	Housing, Support 21	454148	Stud, Shoulder 8
430397	Label, Option 4	430906	Label, Customer 4	454155	Label 6
430400	Paper Winder Assembly 22,24,26,28	430907	Label, Customer 4	454156	Label 6
430401	Card Assembly, Directory 4	451376	Leveler 8	454157	Label, Instruction 3
430402	Label, Option 4	451381	Leg 8	454172	Modification Kit 30
430456	Label, Option 4	451385	Leg 8	454176	Guide, Paper, Top 30
430457	Bolt w/Cap 11,13	451461	Screw 1/4-20 x 2 Hex 8	454617	Plate, Fuse 27
430458	Leg w/Weldnut 11,13	451462	Screw 1/4-20 x 3/4 Hex, Sems 8	454622	Cable Assembly 16
430459	Cover, Bksr Tractor 4	451464	Washer 8	454623	Cable Assembly 16
430482	Cover 4	452187	Switch, Rocker 10	454624	Bracket, Switch 16
430492	Screw, Self-Tapping 19, 30	452587	Skirt, Rear 8	454742	Guide, Paper (Left) 19
430495	Strap Assembly 27	452811	Cable Assembly 8	454743	Guide, Paper (Right) 19
430527	Cable Assembly 10	453219	Top, Table w/Trim 8	454744	Tray, Paper 19
430530	Frame Assembly, Rear 8, 10	453224	Hinge 8	454768	Scale, Column 3
430533	Label 3	453225	Cover 8	455031	Label, Option 4
		453226	Pan 8	455032	Isolator M 19
		453230	Accumulator, Paper 8	455033	Isolator F 19
		453236	Scale, 132 Column (10-Pitch) 6,8	455034	Shelf, Separator 19
		453264	Mount, Vibration 6,8	455035	Frame, Separator 19
		454103	Static Neut 30	455036	Modification Kit 19,22



**AT&T**

Teletype Corporation

5555 Touhy Avenue  
Skokie, IL 60077  
Phone (312) 982-2000

Parts Manual 533  
Issue 2, January 1984