

INSTRUCTIONS FOR INSTALLING THE 55165 SHOCK ABSORBER
AND 55418 PAPER REEL ON THE WHEATSTONE PERFORATOR
AND PREPARING THE PERFORATOR FOR SERVICE

Installation of the 55165 Shock Absorber on the Perforator

Remove the two left-hand solenoid mounting screws located at the top of the unit (See Figure 1). Place the two screws in the mounting holes of the shock absorber mounting block. Fasten the shock absorber to the unit, making certain that the washers are under the shock absorber mounting block.

Installation of the 55418 Paper Reel Assembly (When Used)

The mounting screws for the paper reel assembly are located at the right-hand side of the perforator base. Remove these screws from the base. Line up the mounting holes of the paper reel assembly with the mounting holes of the base. Secure the paper reel assembly to the base with the two screws previously removed from the base.

NOTE: For adjustments following these installations, refer to Bulletin 125.

Instructions for the Removal of the "T" Bar Blocking Plate

Before the perforator can be used, the "T" bar blocking plate must be removed. This plate is copper plated and is located under the unit. Remove the two screws holding the plate. Remove the plate and restore the screws to their original position.

Instructions for Proper Connections of Perforator Magnet Windings When Using Perforator on 110 and 220 Volts D.C.

The perforator magnet will operate on 110 or 220 volt direct current when properly connected. When operating on 110 volts, the magnet windings should be connected in parallel, and when operating on 220 volts, the magnet windings should be connected in series. Figure 2 shows the method of strapping the terminal block under the unit for either 110 or 220 volt operation.

Installation and Threading of Tape in Perforator Equipped with Silencing Case

Turn the lock key on the right side of the silencing case and open the tape compartment door. Install the roll of tape and refer to the arrow in the compartment to show the direction of the tape feed. Thread the tape over the roller in the case and then route it through the shock absorber on the perforator. See Figure 1. Lift up the tape lid and insert the tape. Close the lid over the tape. Thread the tape under the pressure block on the tape feed reel and finally through the guide.

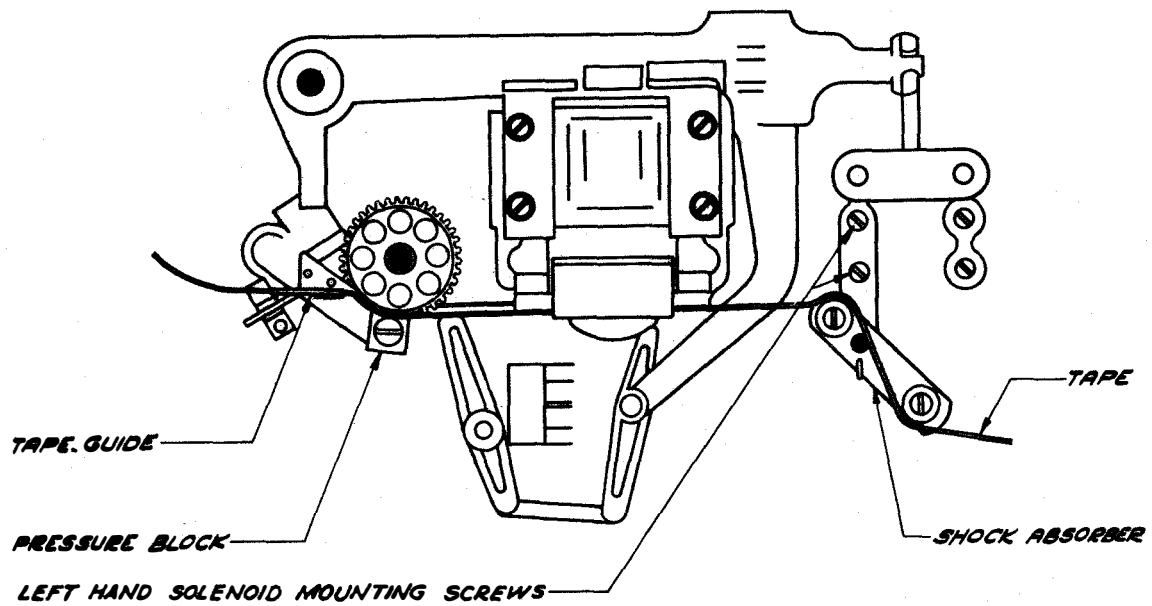


FIGURE 1

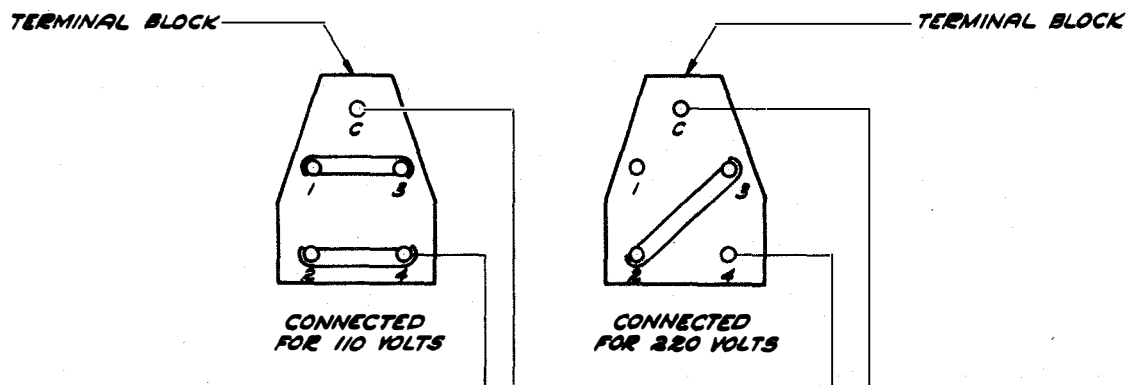


FIGURE 2