

Bulletin No. 51
Issue 1
February, 1933

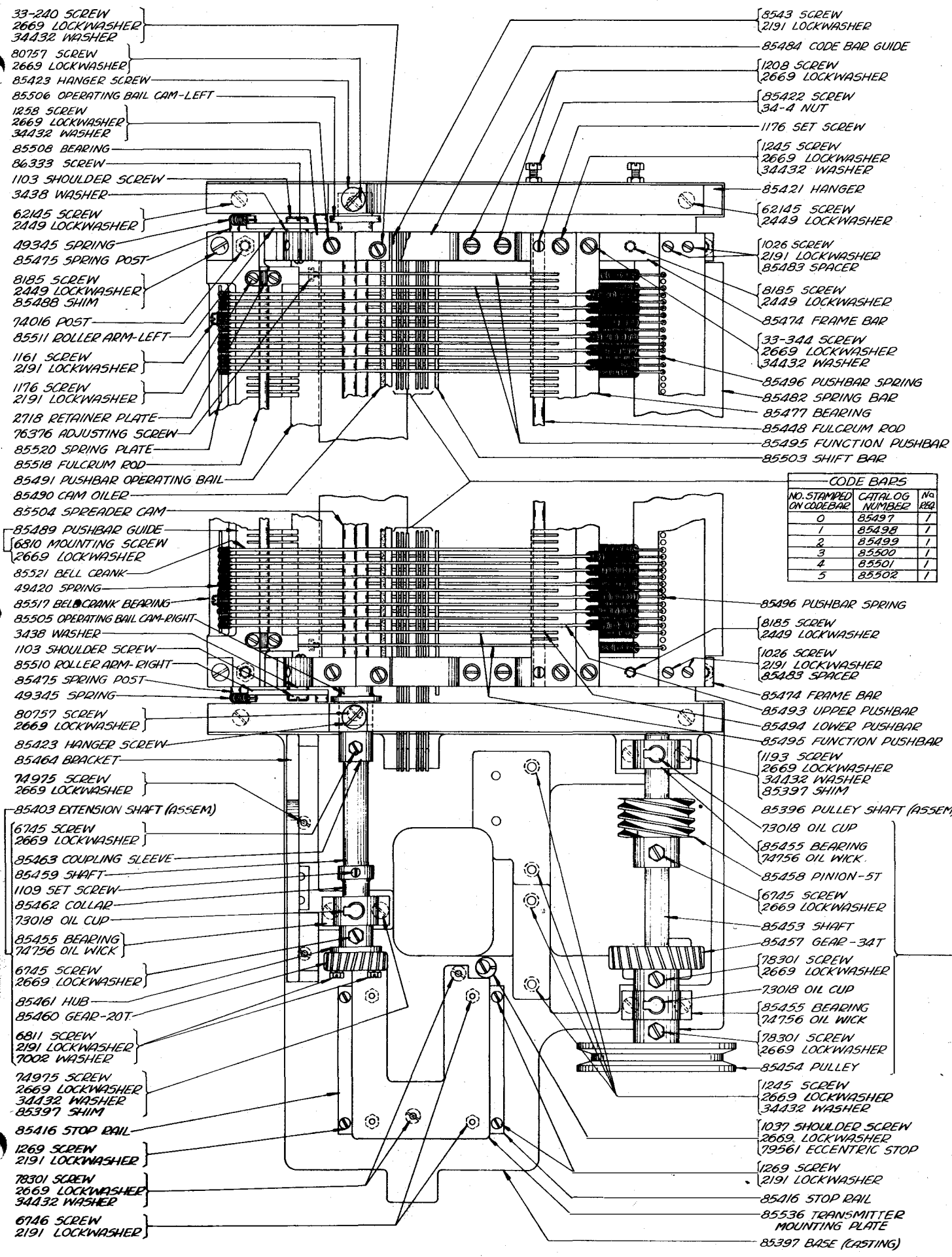
TELETYPESETTER

PARTS
OPERATING UNIT

**RTTY
ELECTRONICS**
TELETYPE
SALES - SERVICE - PARTS
P.O. BOX. 20101 EL SOBRANTE, CA.
94820
PHONE (510) 222-3102
mr_rtty@pacbell.net

TELETYPESETTER
CORPORATION
1400 WRIGHTWOOD AVE.
CHICAGO, U. S. A.

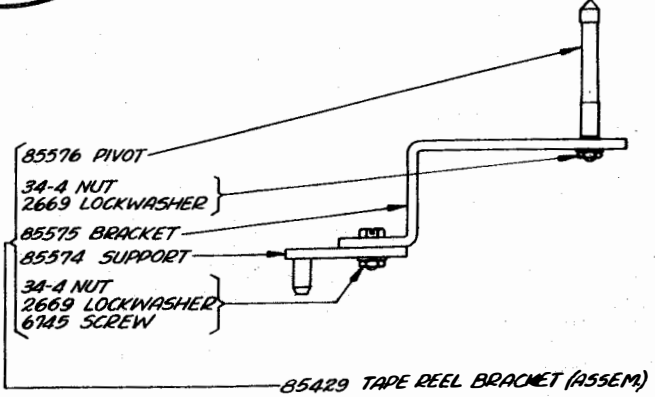
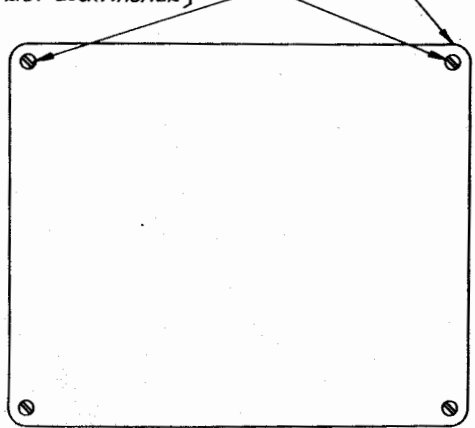
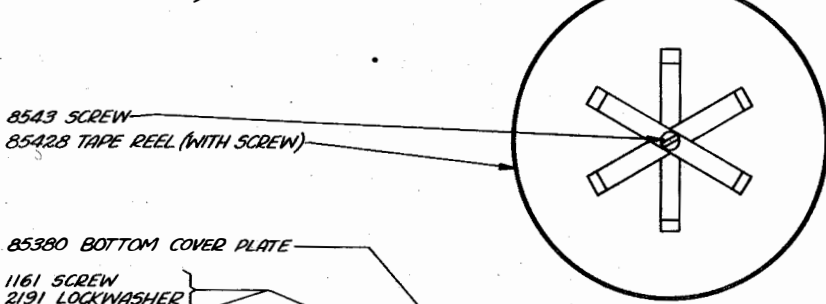
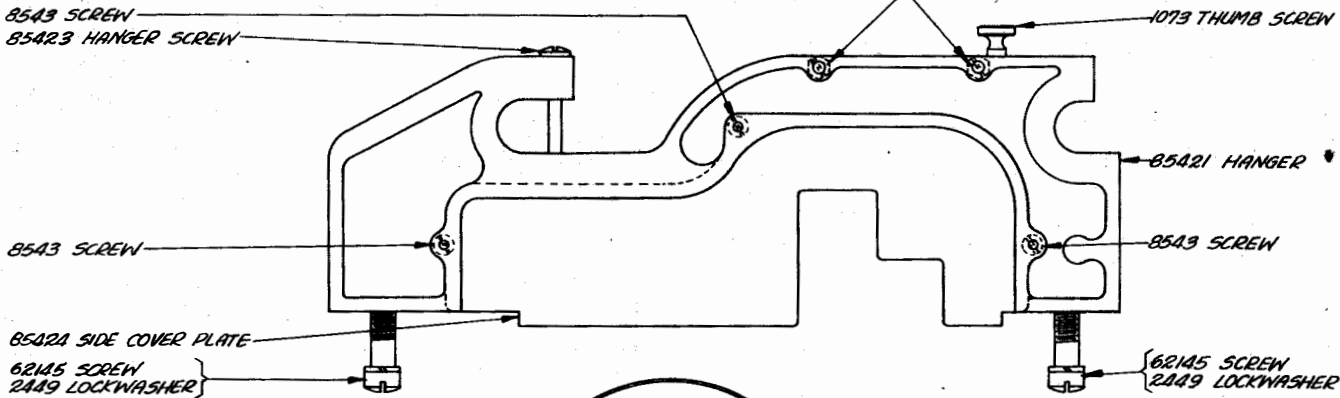
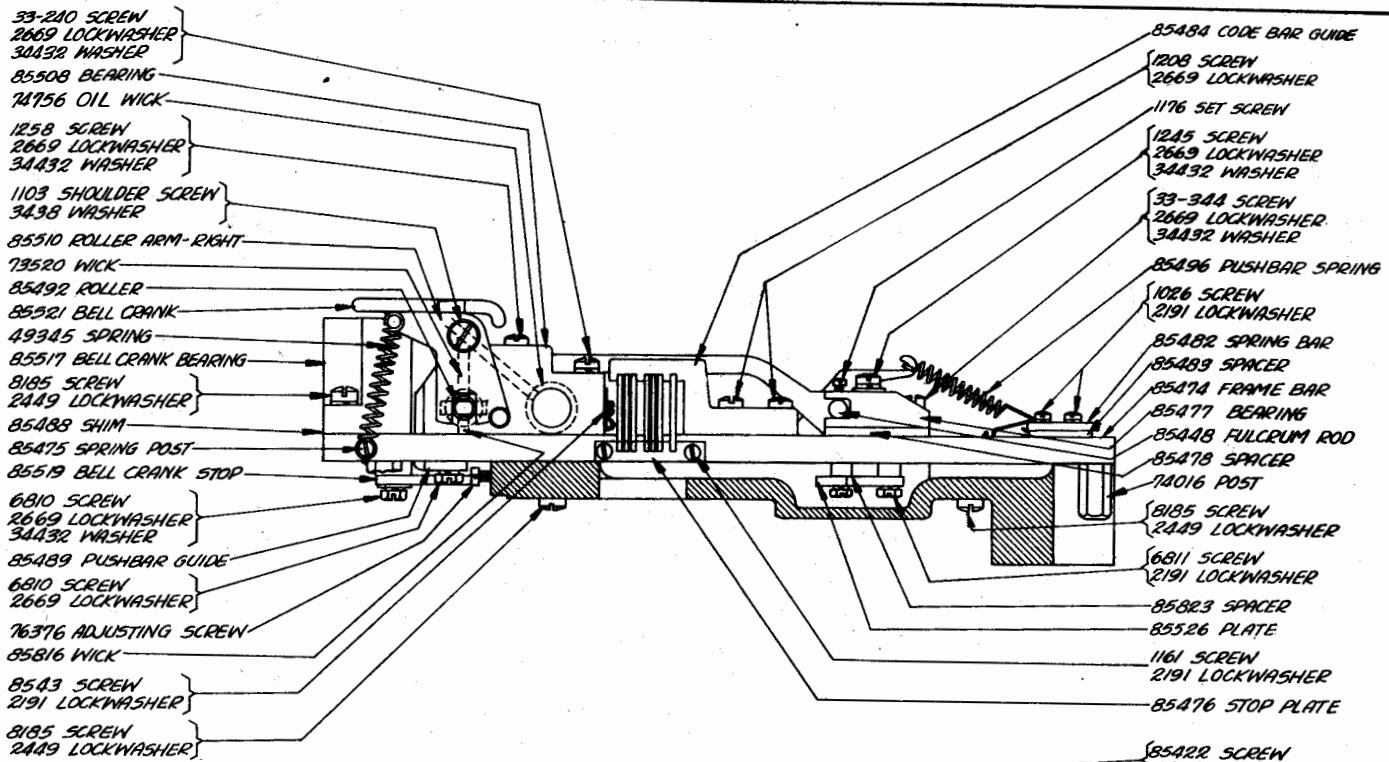
Property of Wilbur F. Porter

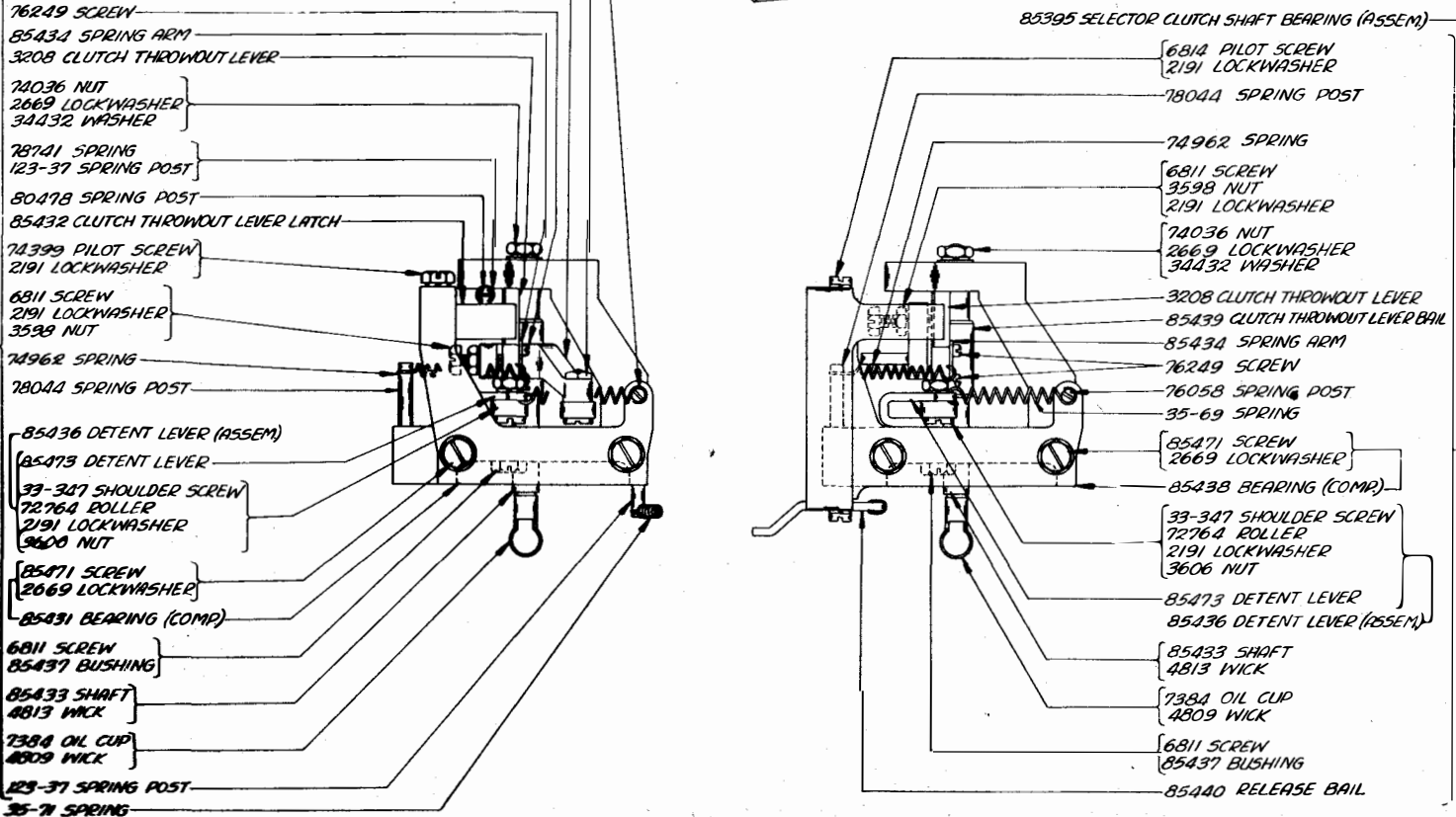
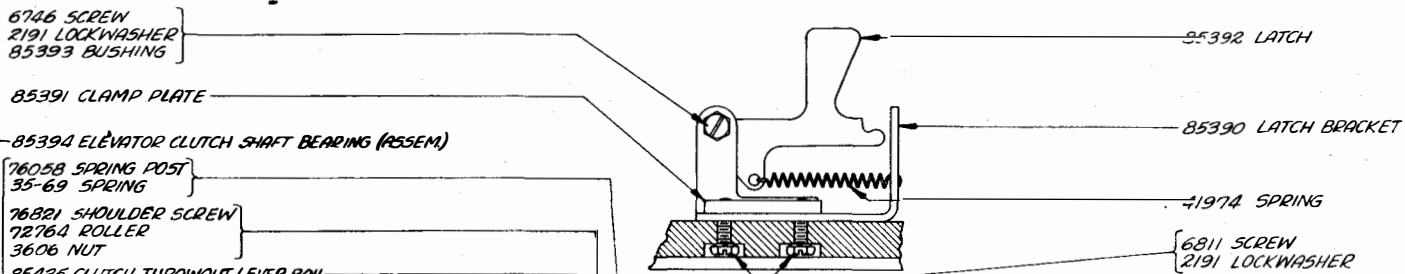
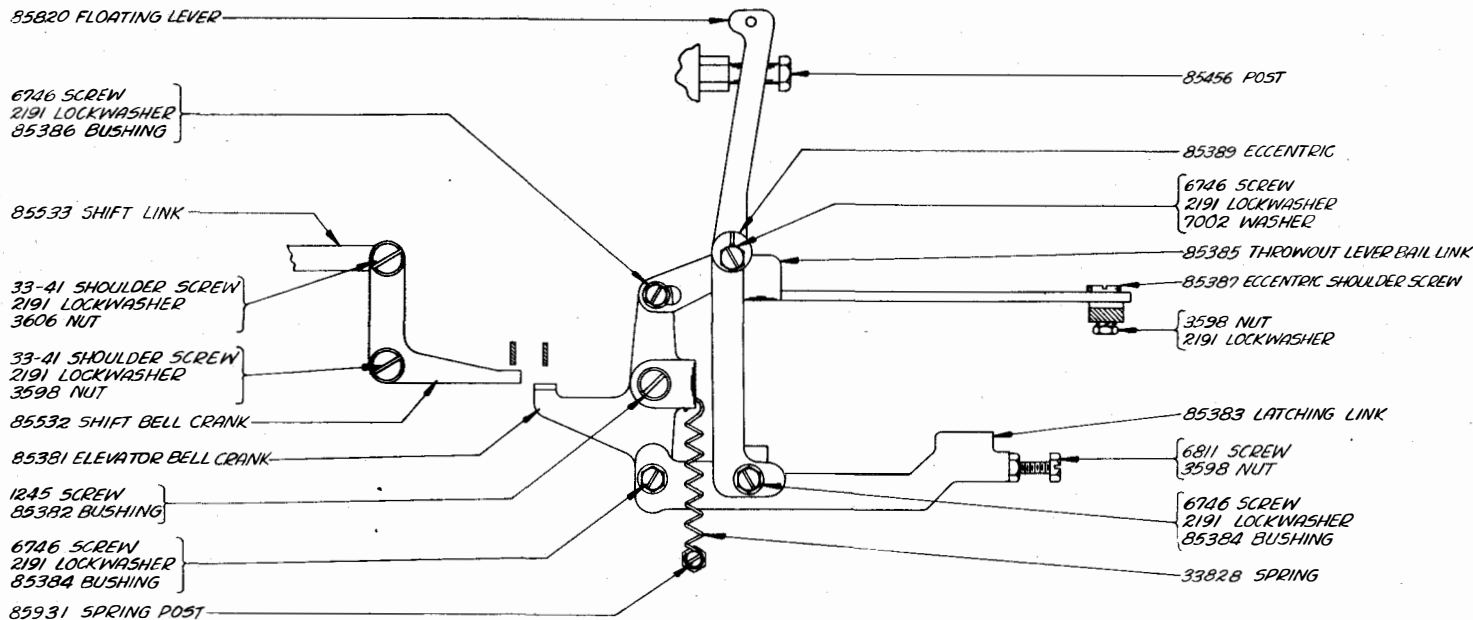


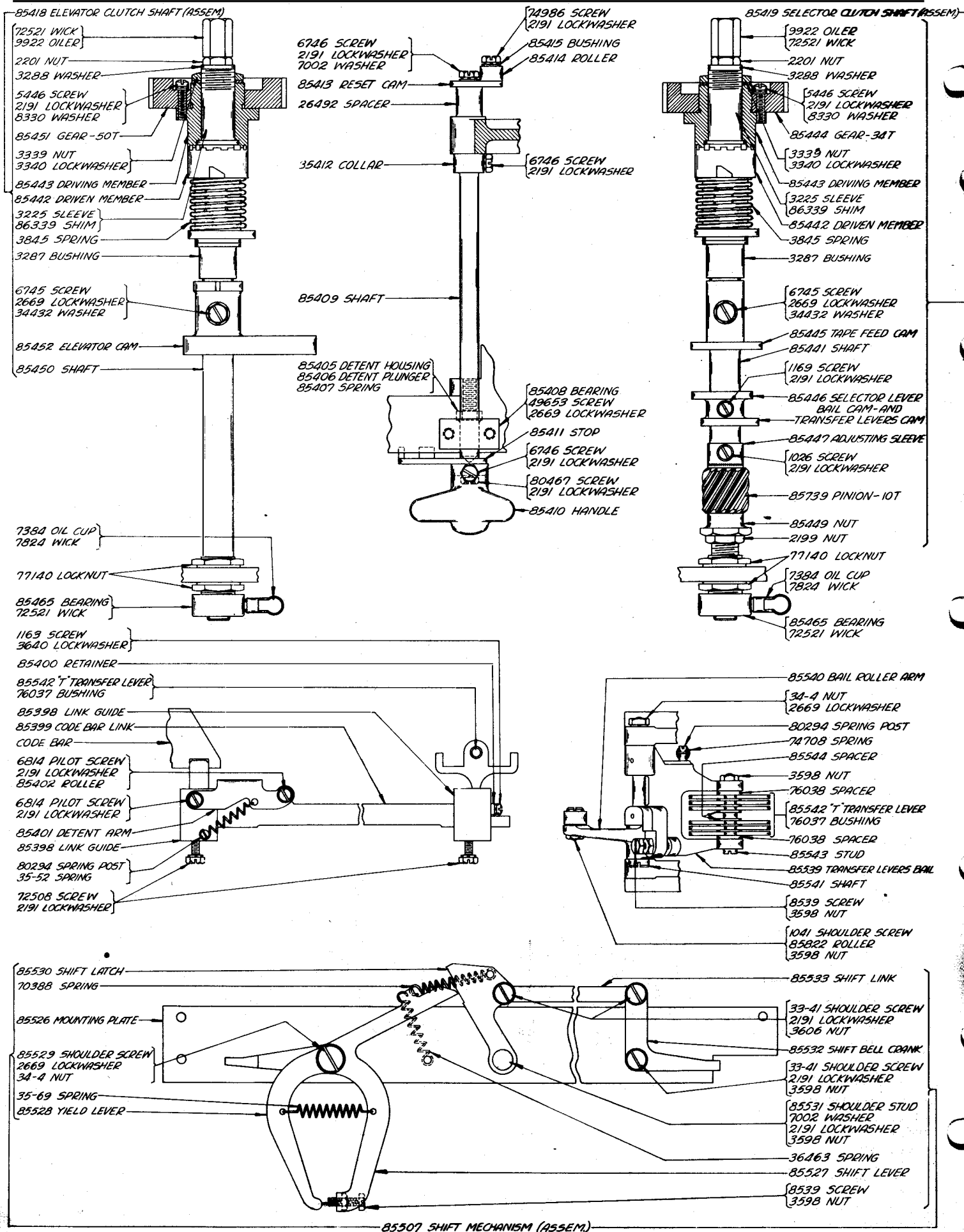
CODE BARS		
NO. STAMPED ON CODE BAR	CATALOG NUMBER	QTY REQ
0	85497	7
1	85498	1
2	85499	1
3	85500	1
4	85501	1
5	85502	1

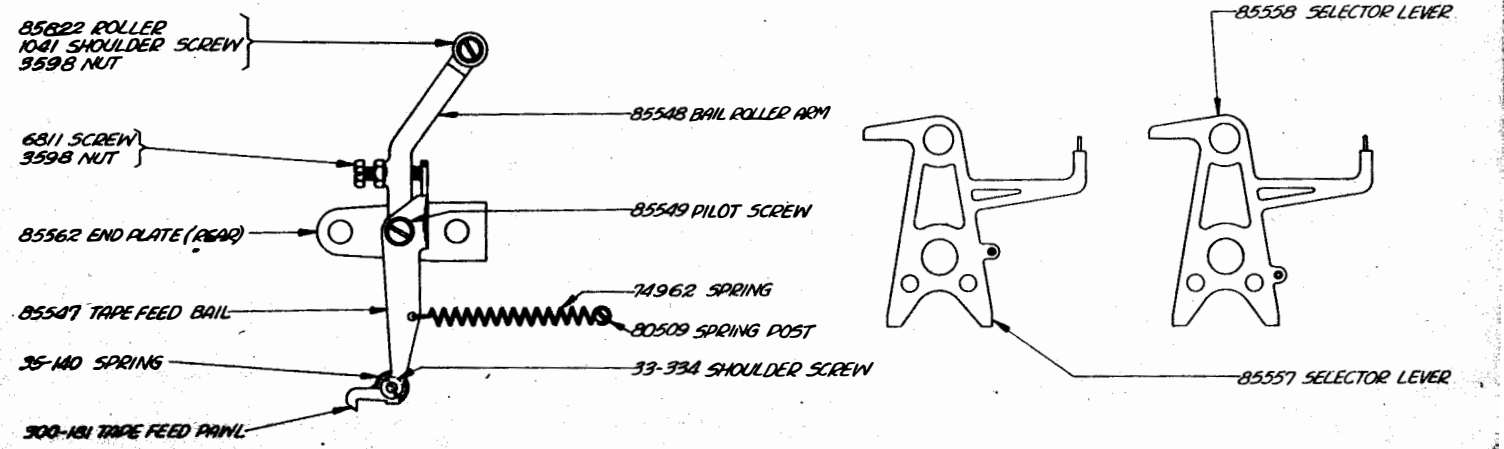
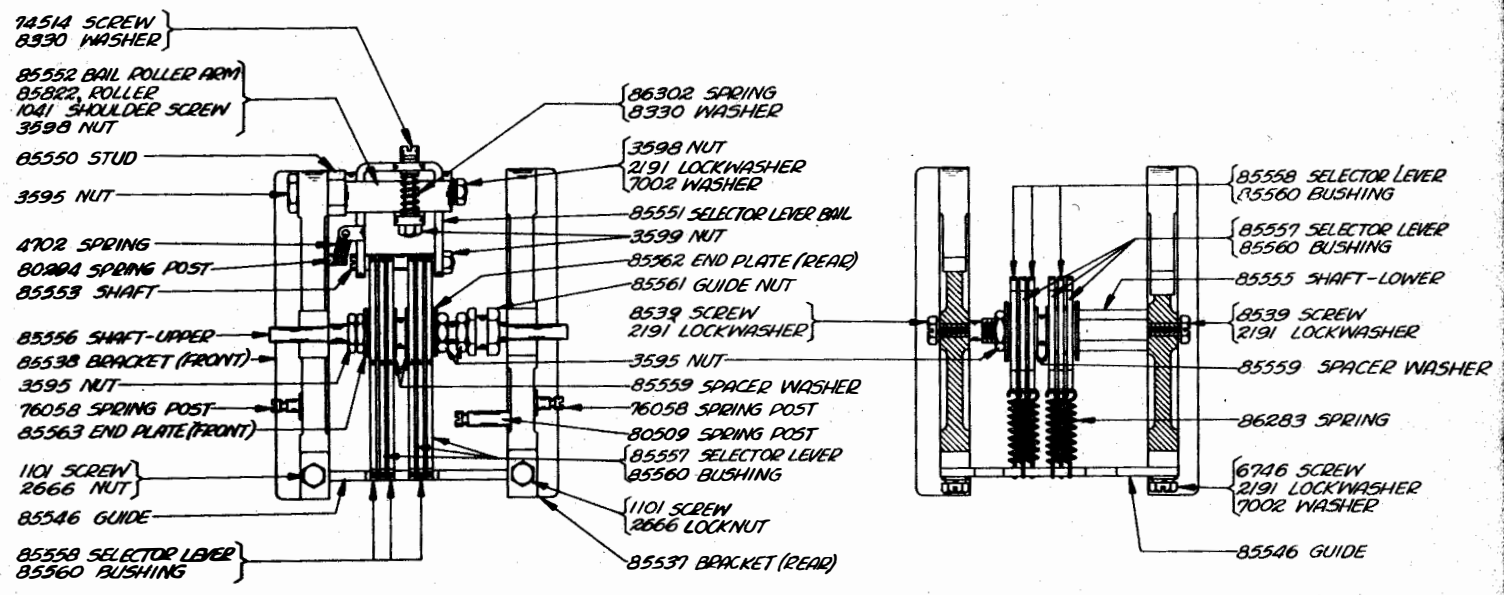
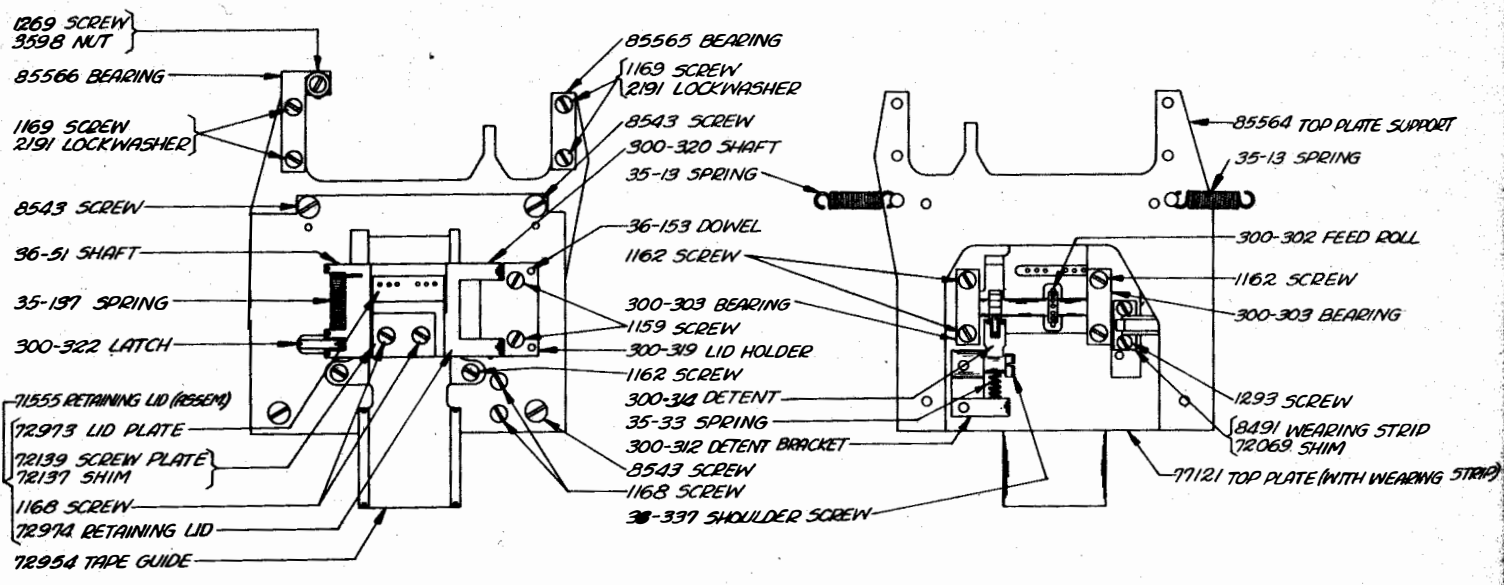
- 33-240 SCREW
- 2669 LOCKWASHER
- 34432 WASHER
- 80757 SCREW
- 2669 LOCKWASHER
- 85423 HANGER SCREW
- 85506 OPERATING BAIL CAM-LEFT
- 1858 SCREW
- 2669 LOCKWASHER
- 34432 WASHER
- 85508 BEARING
- 86333 SCREW
- 1103 SHOULDER SCREW
- 3438 WASHER
- 62145 SCREW
- 2449 LOCKWASHER
- 49345 SPRING
- 85475 SPRING POST
- 8185 SCREW
- 2449 LOCKWASHER
- 85488 SHIM
- 74016 POST
- 85511 ROLLER ARM-LEFT
- 1161 SCREW
- 2191 LOCKWASHER
- 1176 SCREW
- 2191 LOCKWASHER
- 2718 RETAINER PLATE
- 76376 ADJUSTING SCREW
- 85520 SPRING PLATE
- 85518 FULCRUM ROD
- 85491 PUSHBAR OPERATING BAIL
- 85490 CAM OILER
- 85504 SPREADER CAM
- 85489 PUSHBAR GUIDE
- 6810 MOUNTING SCREW
- 2669 LOCKWASHER
- 85521 BELL CRANK
- 49420 SPRING
- 85517 BELL CRANK BEARING
- 85505 OPERATING BAIL CAM-RIGHT
- 3438 WASHER
- 1103 SHOULDER SCREW
- 85510 ROLLER ARM-RIGHT
- 85475 SPRING POST
- 49345 SPRING
- 80757 SCREW
- 2669 LOCKWASHER
- 85423 HANGER SCREW
- 85464 BRACKET
- 74975 SCREW
- 2669 LOCKWASHER
- 85403 EXTENSION SHAFT (ASSEM)
- 6745 SCREW
- 2669 LOCKWASHER
- 85463 COUPLING SLEEVE
- 85459 SHAFT
- 1109 SET SCREW
- 85462 COLLAR
- 73018 OIL CUP
- 85455 BEARING
- 74756 OIL WICK
- 6745 SCREW
- 2669 LOCKWASHER
- 85461 HUB
- 85460 GEAR-20T
- 6811 SCREW
- 2191 LOCKWASHER
- 7008 WASHER
- 74975 SCREW
- 2669 LOCKWASHER
- 34432 WASHER
- 85397 SHIM
- 85416 STOP RAIL
- 1269 SCREW
- 2191 LOCKWASHER
- 78301 SCREW
- 2669 LOCKWASHER
- 34432 WASHER
- 6746 SCREW
- 2191 LOCKWASHER

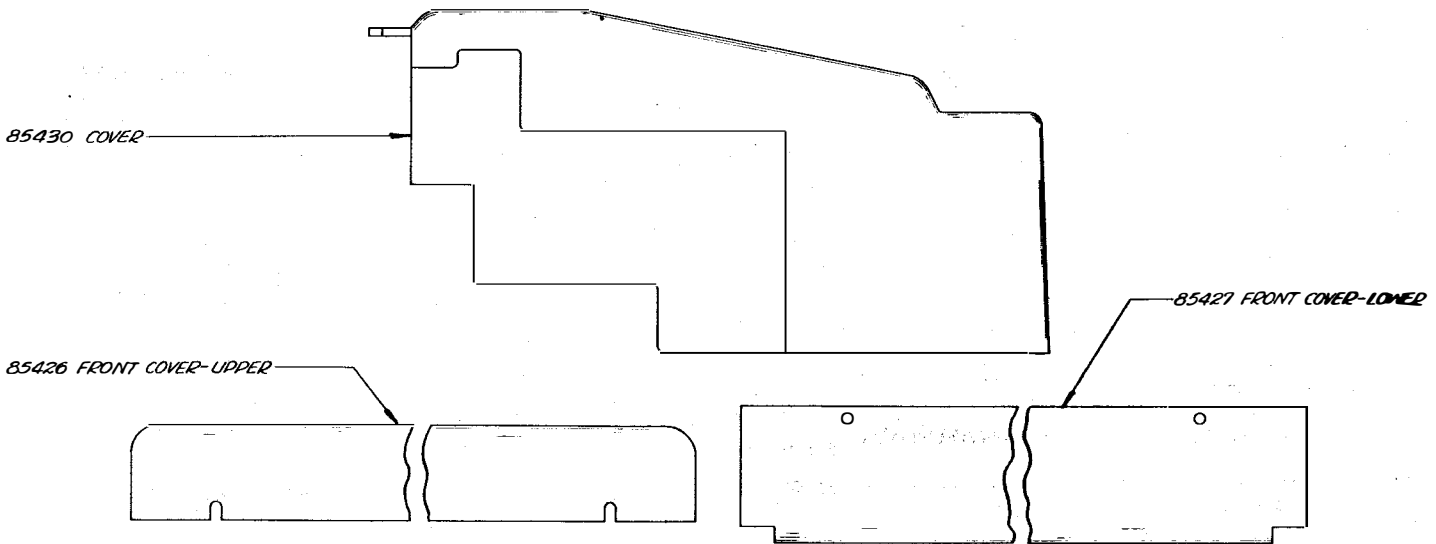
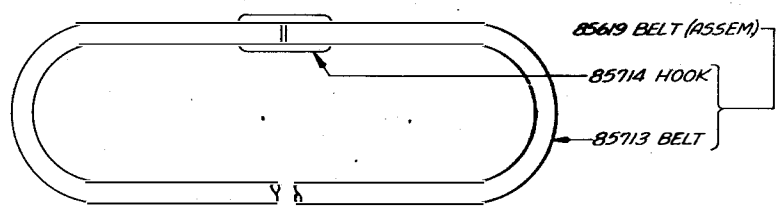
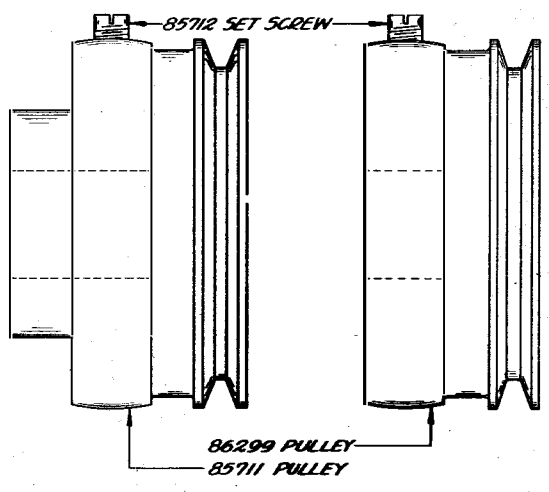
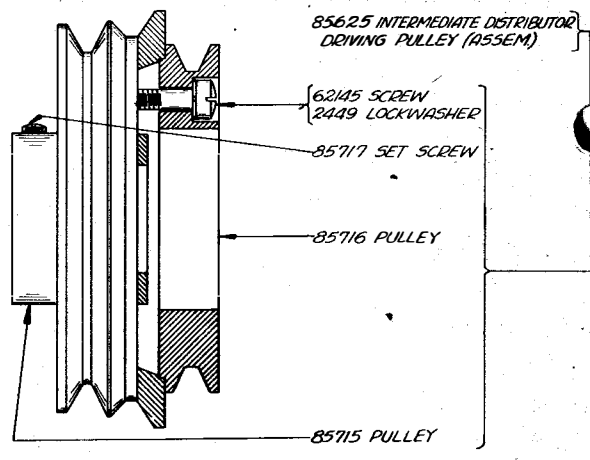
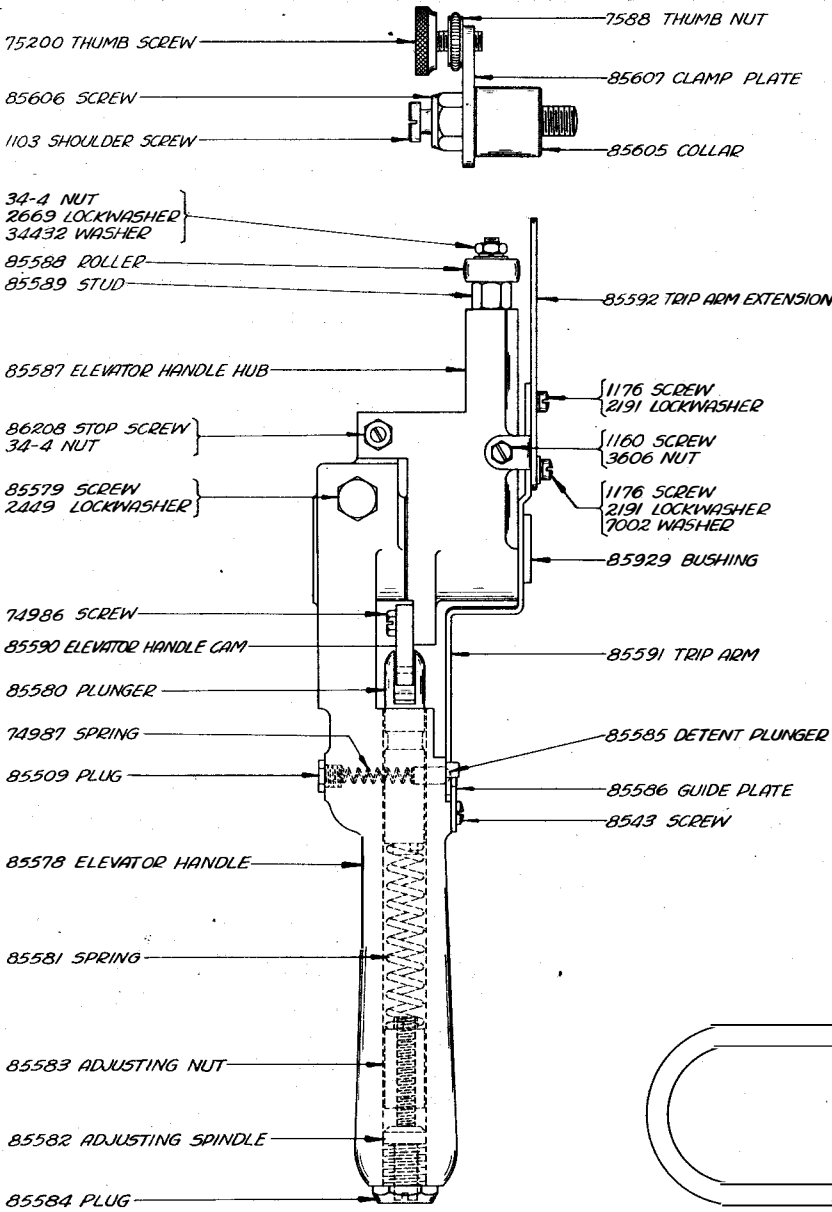
- 8543 SCREW
- 2191 LOCKWASHER
- 85484 CODE BAR GUIDE
- 1208 SCREW
- 2669 LOCKWASHER
- 85422 SCREW
- 34-4 NUT
- 1176 SET SCREW
- 1245 SCREW
- 2669 LOCKWASHER
- 34432 WASHER
- 85421 HANGER
- 62145 SCREW
- 2449 LOCKWASHER
- 1026 SCREW
- 2191 LOCKWASHER
- 85483 SPACER
- 8185 SCREW
- 2449 LOCKWASHER
- 85474 FRAME BAR
- 33-344 SCREW
- 2669 LOCKWASHER
- 34432 WASHER
- 85496 PUSHBAR SPRING
- 85482 SPRING BAR
- 85477 BEARING
- 85448 FULCRUM ROD
- 85495 FUNCTION PUSHBAR
- 85503 SHIFT BAR
- 85496 PUSHBAR SPRING
- 8185 SCREW
- 2449 LOCKWASHER
- 1026 SCREW
- 2191 LOCKWASHER
- 85483 SPACER
- 85474 FRAME BAR
- 85493 UPPER PUSHBAR
- 85494 LOWER PUSHBAR
- 85495 FUNCTION PUSHBAR
- 1193 SCREW
- 2669 LOCKWASHER
- 34132 WASHER
- 85397 SHIM
- 85396 PULLEY SHAFT (ASSEM)
- 73018 OIL CUP
- 85455 BEARING
- 74756 OIL WICK
- 85458 PINION-5T
- 6745 SCREW
- 2669 LOCKWASHER
- 85453 SHAFT
- 85457 GEAR-34T
- 78301 SCREW
- 2669 LOCKWASHER
- 73018 OIL CUP
- 85455 BEARING
- 74756 OIL WICK
- 78301 SCREW
- 2669 LOCKWASHER
- 85454 PULLEY
- 1245 SCREW
- 2669 LOCKWASHER
- 34432 WASHER
- 1037 SHOULDER SCREW
- 2669 LOCKWASHER
- 79561 ECCENTRIC STOP
- 1269 SCREW
- 2191 LOCKWASHER
- 85416 STOP RAIL
- 85536 TRANSMITTER MOUNTING PLATE
- 85397 BASE (CASTING)

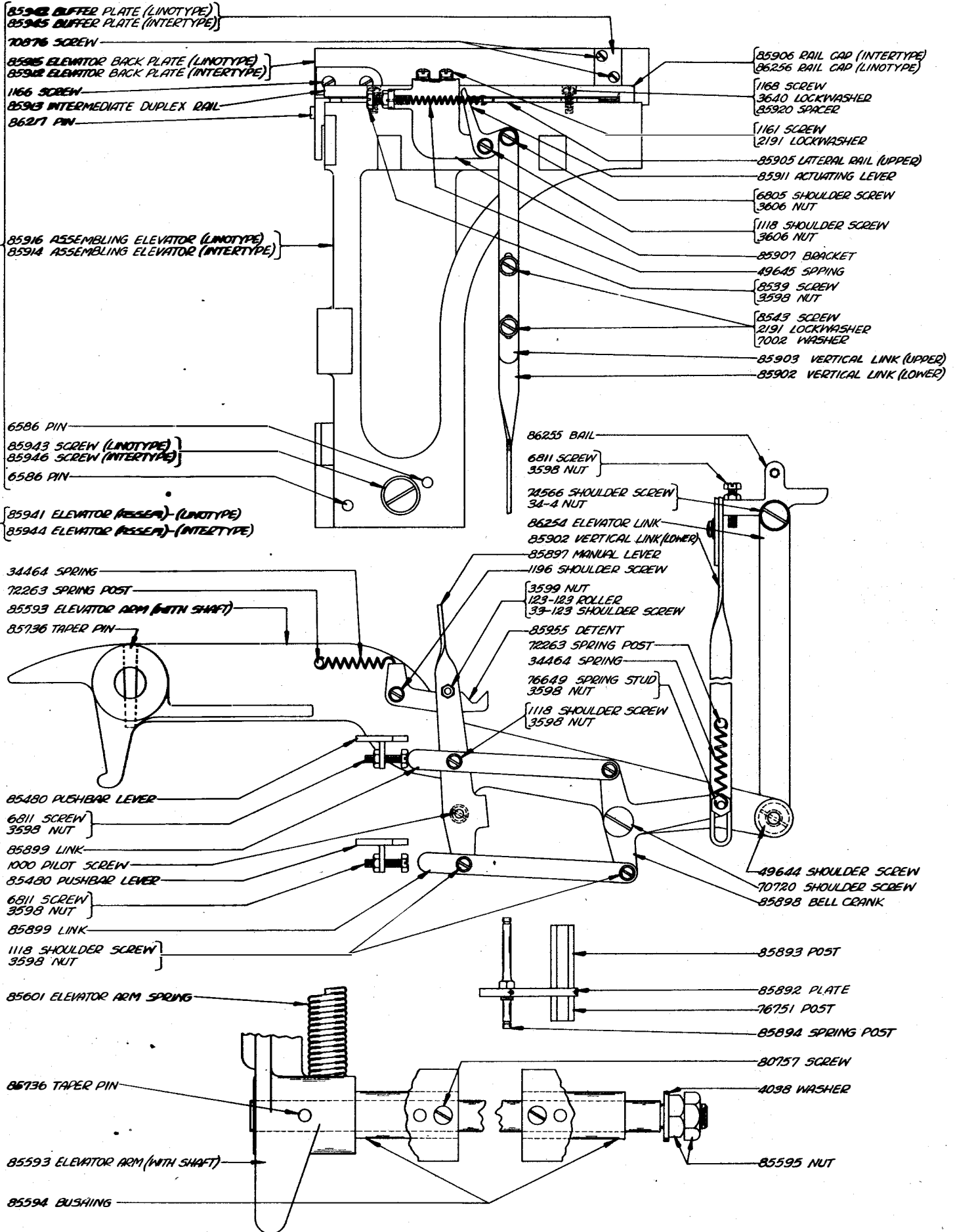


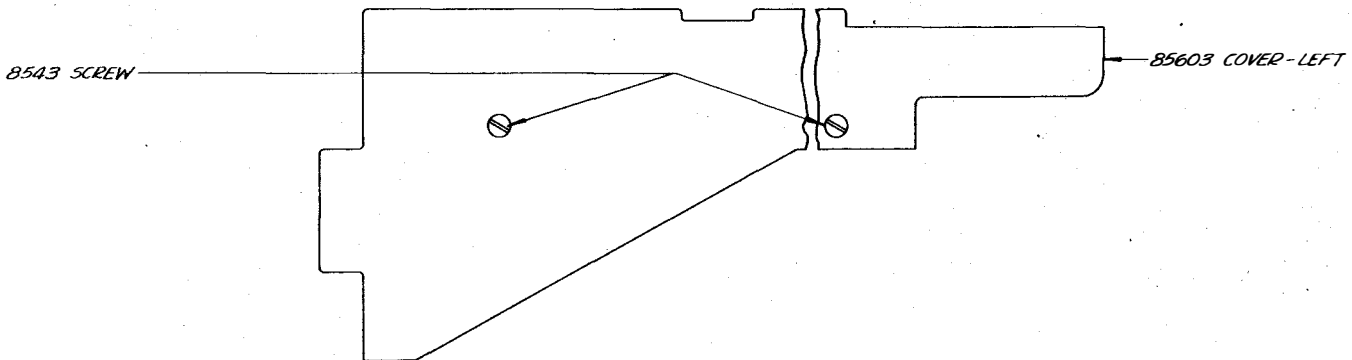
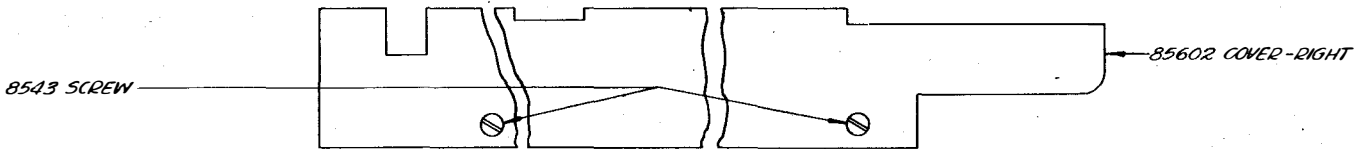
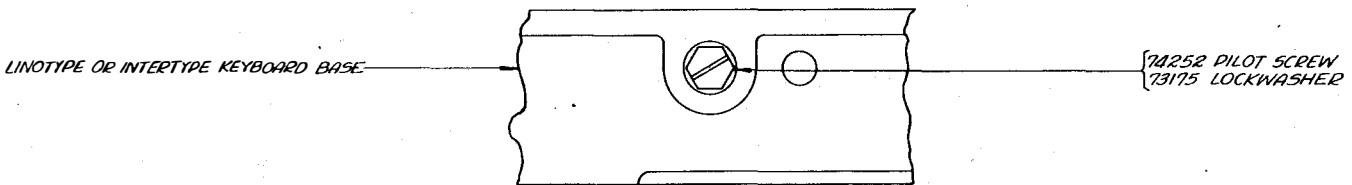
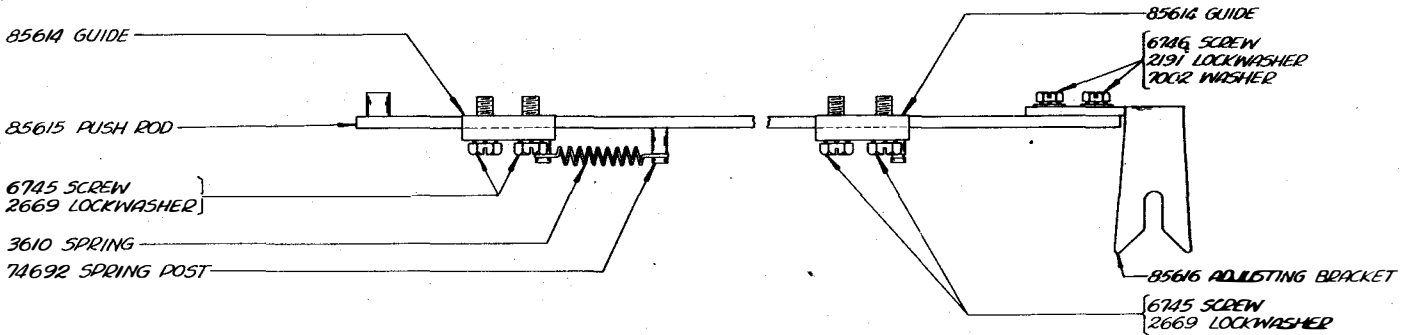
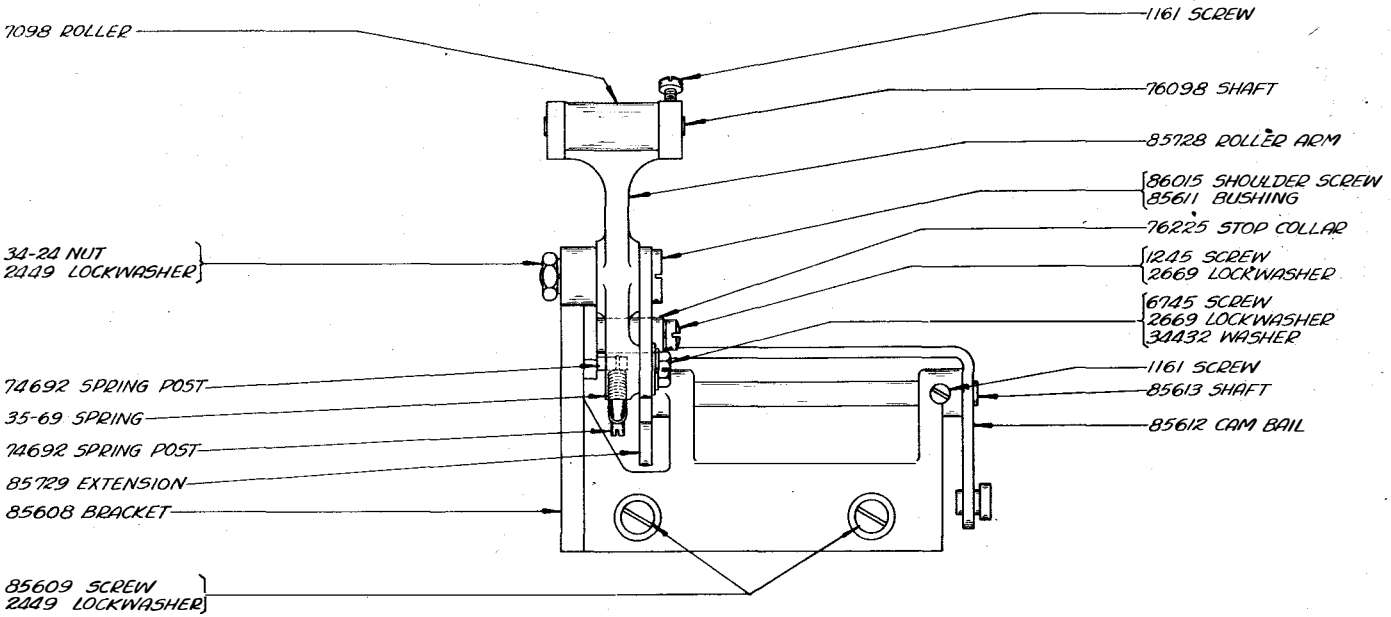


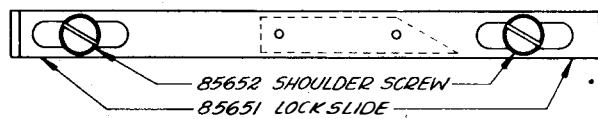
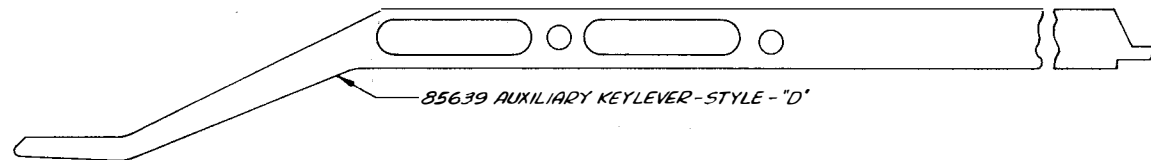
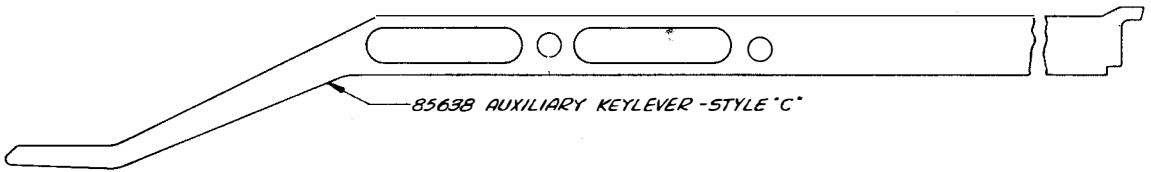
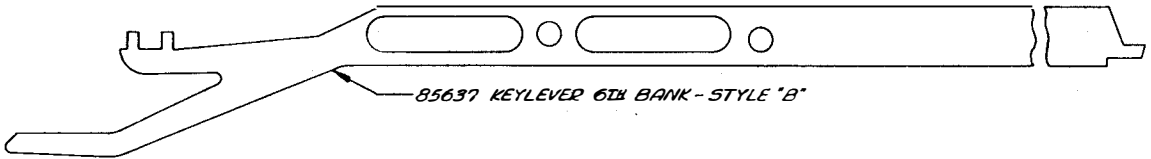
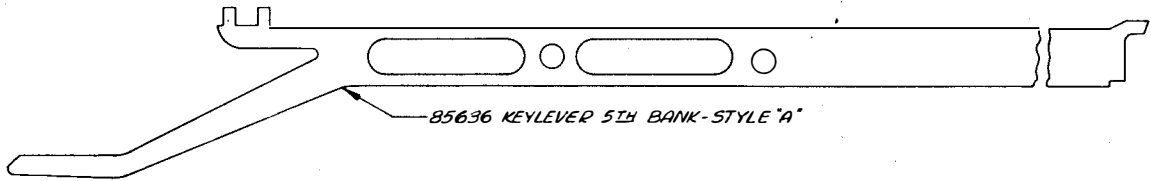
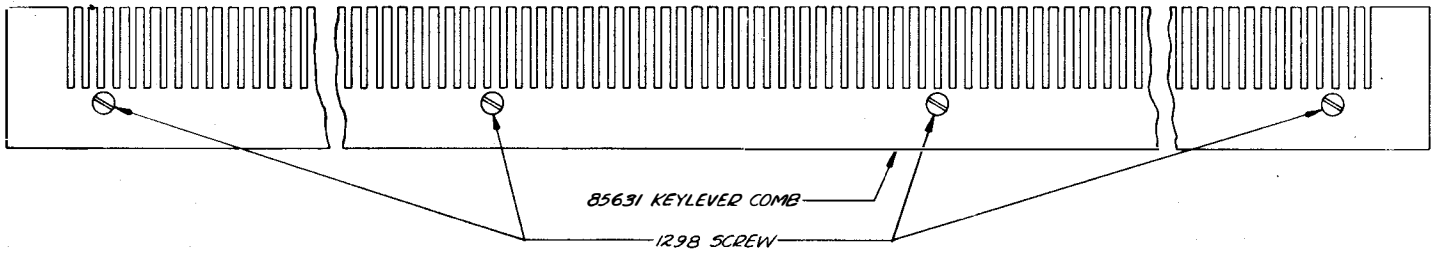


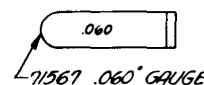
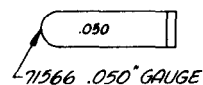
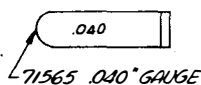
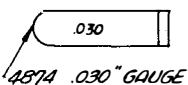
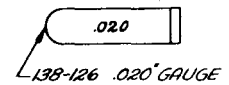
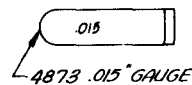
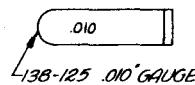
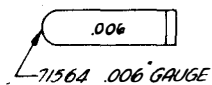
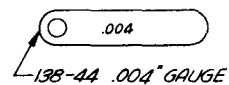
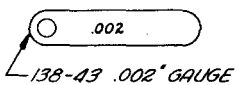
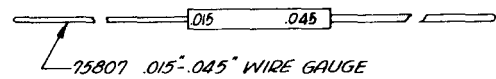
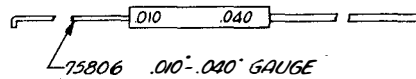
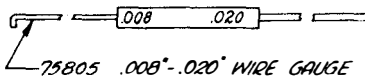
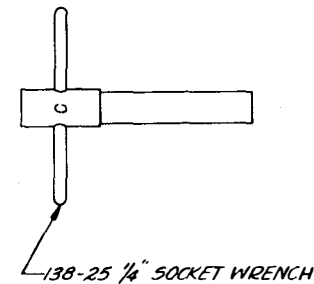
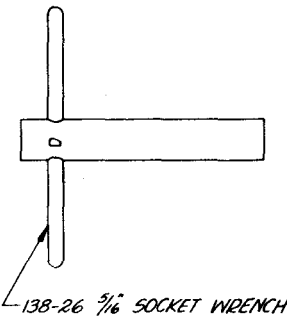
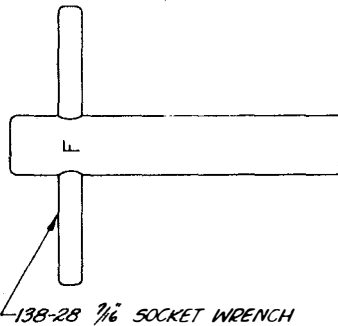
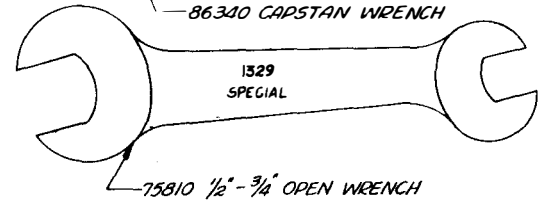
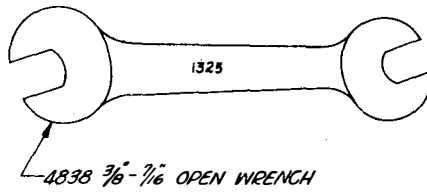
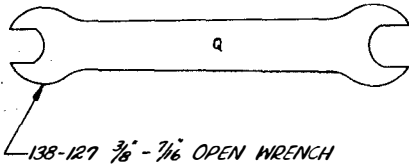
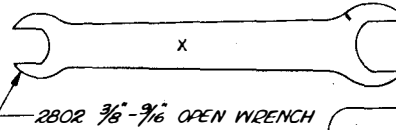
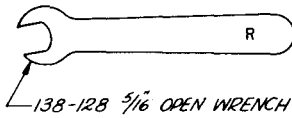
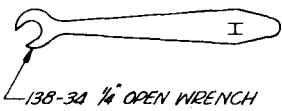
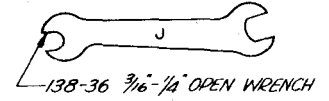
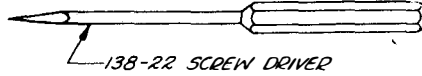
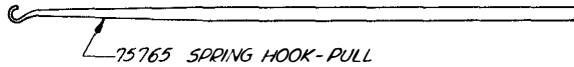
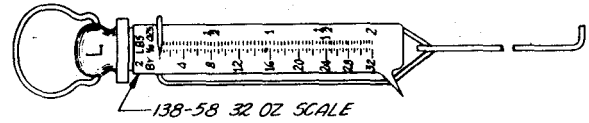
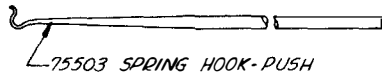
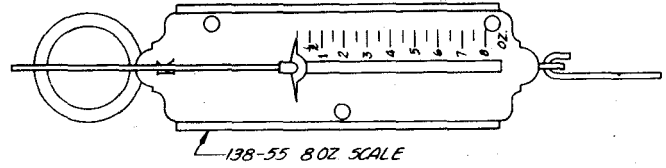
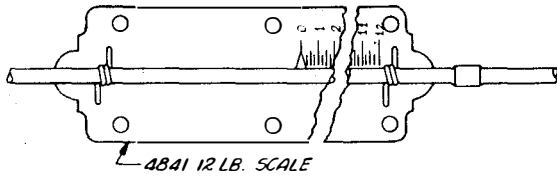












86300 SET OF TOOLS

NUMERICAL INDEX

33-41	6-40 Shoulder Screw, 3,4	3610	Spring, 8	76376	6-40x5/16" Adjusting Screw, 1,2
33-123	4-40 Shoulder Screw, 7	3640	Lockwasher, 4,7		Spring Stud, 7
33-240	10-32x1-1/8" Screw, 1,2	3845	Spring, 4	76649	Post, 7
33-334	4-40 Shoulder Screw, 5	4038	Washer, 7	76751	6-40 Shoulder Screw, 3
33-337	4-40 Shoulder Screw, 5	4702	Spring, 5	76821	Top Plate (With Wearing Strip), 5
33-344	10-32x3/4" Screw, 1,2	4809	Wick, 3	77121	9/16"-32 Nut, 4
33-347	6-40 Shoulder Screw, 3	4813	Wick, 3		Spring Post, 3
34-4	10-32 Nut, 1,2,4,6,7	4838	3/8"-7/16" Open Wrench, 10	77140	10-32x5/8" Screw, 1
34-24	1/4-32 Nut, 8	4841	12 Lb. Scale, 10	78044	Spring, 3
35-13	Spring, 5	4873	.015" Gauge, 10	78301	Eccentric Stop, 1
35-33	Spring, 5	4874	.030" Gauge, 10	78741	Spring Post, 4,5
35-52	Spring, 4	5446	6-40x9/16" Screw, 4	79561	6-40x11/32" Screw, 4
35-69	Spring, 3,4,8	6586	Pin, 7	80294	Spring Post, 3
35-71	Spring, 3	6745	10-32x1/2" Screw, 1,2,4,8	80467	Spring Post, 3
35-137	Spring, 5	6746	6-40x5/16" Screw, 1,3,4,5,8	80478	Spring Post, 5
35-140	Spring, 5	6805	6-40 Shoulder Screw, 7	80509	10-32x1/2" Screw, 1,7
36-51	Shaft, 5	6810	10-32x3/8" Screw, 1,2	80757	Base, 1
36-153	Dowel, 5	6811	6-40x5/8" Screw, 1,2,3,5,7	85379	Bottom Cover Plate, 2
123-37	Spring Post, 3	6814	6-40 Pilot Screw, 3,4	85380	Elevator Bell Crank, 3
123-123	Roller, 7	7002	Washer, 1,3,4,5,6,7,8	85381	Bushing, 3
138-22	Screw Driver, 10	7098	Roller, 8	85382	Latching Link, 3
138-25	1/4" Socket Wrench, 10	7384	Oil Cup, 3,4	85383	Bushing, 3
138-26	5/16" Socket Wrench, 10	7588	10-32 Thumb Nut, 6	85384	Throwout Lever Bail Link, 3
138-28	7/16" Socket Wrench, 10	7824	Wick, 4	85385	Bushing, 3
138-34	1/4" Open Wrench, 10	8185	1/4"-20 Screw, 1,2	85386	6-40x3/16" Eccentric Shoulder Screw, 3
138-36	3/16"-1/4" Open Wrench, 10	8330	Washer, 4,5	85387	Eccentric, 3
138-43	.002" Gauge, 10	8491	Wearing Strip, 5	85389	Latch Bracket, 3
138-44	.004" Gauge, 10	8539	6-40x1/2" Screw, 4,5,6,7	85390	Latch, 3
138-55	8 Oz. Scale, 10	8543	6-40x1/4" Screw, 1,2,5,6,7,8	85391	Bushing, 3
138-58	32 Oz. Scale, 10	9922	Oiler, 4	85392	Elevator Clutch Shaft Bearing (Assem.), 3
138-125	.010" Gauge, 10	26492	Spacer, 4	85393	Selector Clutch Shaft Bearing (Assem.), 3
138-126	.020" Gauge, 10	33828	Spring, 3	85394	Pulley Shaft Assem., 1
138-127	3/8"-7/16" Open Wrench, 10	34432	Spring, 3	85396	Shim, 1
138-128	5/16" Open Wrench, 10	34464	Spring, 4	85397	Link Guide, 4
300-181	Tape Feed Pawl, 5	36463	Spring, 7	85398	Code Bar Link, 4
300-302	Feed Roll, 5	41974	Spring, 3	85399	Retainer, 4
300-303	Feed Roll Bearing, 5	49345	Spring, 1,2	85400	Detent Arm, 4
300-312	Detent Bracket, 5	49420	Spring, 1	85401	Roller, 4
300-314	Detent, 5	49644	10-32 Shoulder Screw, 7	85402	Extension Shaft (Assem.), 1
300-319	Lid Holder, 5	49645	Spring, 7	85403	Detent Housing, 4
300-320	Shaft, 5	49653	10-32 Screw, 4	85405	Detent Plunger, 4
300-322	Latch, 5	62145	14-20x1-3/8" Screw, 1,2,6	85406	Spring, 4
1000	3/16"-40 Pilot Screw, 7	70388	Spring, 4	85407	Bearing, 4
1026	6-40x3/8" Screw, 1,2,4	70720	10-32 Shoulder Screw, 7	85409	Shaft, 4
1037	6-40 Shoulder Screw, 1	70876	.112"-48x7/32" Screw, 7	85410	Handle, 4
1041	6-40 Shoulder Screw, 4,5	71555	Retaining Lid (Assem.), 5	85411	Stop, 4
1073	6-40 Thumb Screw, 2	71564	.006" Gauge, 10	85412	Collar, 4
1101	3/16"-40 Screw, 5	71565	.040" Gauge, 10	85413	Reset Cam, 4
1103	3/16"-40 Shoulder Screw, 1,2,6	71566	.050" Gauge, 10	85414	Roller, 4
1109	10-32 Set Screw, 1	71567	.060" Gauge, 10	85415	Bushing, 4
1118	6-40 Shoulder Screw, 7	72069	Shim, 5	85416	Stop Rail, 1
1159	4-40x3/8" Screw, 5	72137	Shim, 5	85418	Elevator Clutch Shaft (Assem.), 4
1160	6-40x5/16" Screw, 6	72139	Screw Plate, 5	85419	Selector Clutch Shaft (Assem.), 4
1161	6-40x1/4" Screw, 1,2,7,8	72263	Spring Post, 7	85421	Hanger, 1,2
1162	4-40x1/4" Screw, 5	72508	6-40x3/8" Screw, 4	85422	10-32x15/16" Screw, 1,2
1163	4-40x3/16" Screw, 4	72521	Wick, 4	85423	5/16-18 Hanger Screw, 1,2
1166	4-36 Screw, 7	72764	Roller, 3	85424	Side Cover Plate, 2
1168	4-40x5/16" Screw, 5,7	72954	Tape Guide, 5	85426	Front Cover - Upper, 6
1169	6-40x7/16" Screw, 4,5	72973	Lid Plate, 5	85427	Front Cover - Lower, 6
1176	6-40x3/16" Screw, 1,2,6	73018	Retaining Lid, 5	85428	Tape Reel (With #8543 Screw), 2
1193	10-32x7/8" Screw, 1	73175	Oil Cup, 1	85429	Tape Reel Bracket (Assem.), 2
1196	6-40 Shoulder Screw, 7	73520	Lockwasher, 8	85430	Cover, 6
1208	10-32x5/8" Screw, 1,2	74016	Wick, 2	85431	Bearing (Comp.), 3
1245	10-32x1" Screw, 1,2,3,8	74036	Post, 1,2	85432	Clutch Throwout Lever Latch, 3
1258	10-32x1-1/4" Screw, 1,2	74252	10-32 Nut, 3	85433	Shaft, 3
1269	6-40x1/2" Screw, 1,5	74399	3/8-32 Pilot Screw, 8	85434	Spring Arm, 3
1293	4-40x1/8" Screw, 5	74514	6-40 Pilot Screw, 3	85435	Clutch Throwout Lever Bail, 3
1298	8-32x1/4" Screw, 9	74566	4-40x1/4" Screw, 5	85436	Detent Lever (Assem.), 3
2191	Lockwasher, 1,2,3,4,5,6,7,8	74692	10-32 Shoulder Screw, 7	85437	Bushing, 3
2199	7/16"-32 Nut, 4	74708	Spring Post, 8	85438	Bearing (Comp.), 3
2201	5/16"-32 Nut, 4	74756	Spring, 4	85439	Clutch Throwout Lever Bail, 3
2449	Lockwasher, 1,2,6,8	74962	Oil Wick, 1,2	85440	Release Bail, 3
2666	3/16"-40 Locknut, 5	74975	Spring, 3,5	85441	Shaft, 4
2669	Lockwasher, 1,2,3,4,6,8	74986	10-32x1/2" Screw, 1	85442	Driven Member, 4
2718	Retainer Plate, 1	74987	6-40x13/32" Screw, 4,6	85443	Driving Member, 4
2802	3/8"-9/16" Open Wrench, 10	75200	Spring, 6	85444	Gear 34-T, 4
3208	Clutch Throwout Lever, 3	75503	10-32x1/2" Thumb Screw, 6	85445	Tape Feed Cam, 4
3225	Sleeve, 4	75765	Spring Hook - Push, 10	85446	Selector Lever Bail Cam and Transfer Lever Cam, 4
3287	Bushing, 4	75805	Spring Hook - Pull, 10		
3288	Washer, 4	75806	.008"- .020" Wire Gauge, 10		
3339	9/16"-32 Nut, 4	75807	.010"- .040" Wire Gauge, 10		
3340	Lockwasher, 4	75810	.015"- .045" Wire Gauge, 10		
3438	Washer, 1,2	76037	1/2"-3/4" Open Wrench, 10		
3595	1/4"-32 Nut, 5	7603	Bushing, 4		
3598	6-40 Nut, 3,4,5,7	76037	Spacer, 4		
3599	4-40 Nut, 5,7	76058	Spring Post, 3,5		
3606	6-40 Nut, 3,4,6,7	76098	Shaft, 8		
		76225	Stop Collar, 8		
		76249	6-40x1/8" Screw, 3		

NUMERICAL INDEX

85447	Adjusting Sleeve, 4	85561	1/4-32 Guide Nut, 5	85916	Assembling Elevator (Linotype), 7
85448	Fulcrum Rod, 1,2	85562	End Plate - Rear, 5	85920	Spacer, 7
85449	7/16"-32 Nut, 4	85563	End Plate - Front, 5	85929	Bushing, 6
85450	Shaft, 4	85564	Top Plate Support, 5	85931	Spring Post, 3
85451	Gear - 50 T, 4	85565	Bearing, 5	85941	Elevator (Assem.) (Linotype), 7
85452	Elevator Cam, 4	85566	Bearing, 5	85942	Buffer Plate (Linotype), 7
85453	Shaft, 1	85574	Support, 2	85943	3/8x16x3/4 Screw (Linotype), 7
85454	Pulley, 1	85575	Bracket, 2	85944	Elevator (Assem.) (Intertype), 7
85455	Bearing, 1	85576	Pivot, 2	85945	Buffer Plate (Intertype), 7
85456	Post, 3	85578	Elevator Handle, 6	85946	3/8-16x1-1/8 Screw (Intertype), 7
85457	Gear - 34 T, 1	85579	1/4-20x3/4 Screw, 6	85955	Detent, 7
85458	Pinion - 5 T, 1	85580	Plunger, 6	86015	1/4-32x1/2 Shoulder Screw, 8
85459	Shaft, 1	85581	Spring, 6	86208	10-32 Stop Screw, 6
85460	Gear - 20 T, 1	85582	Adjusting Spindle, 6	86217	Pin, 7
85461	Hub, 1	85583	10-32 Adjusting Nut, 6	86254	Elevator Link, 7
85462	Collar, 1	85584	Plug, 6	86255	Bail, 7
85463	Coupling Sleeve, 1	85585	Detent Plunger, 6	86256	Rail Cap (Linotype), 7
85464	Bracket, 1	85586	Guide Plate, 6	86283	Spring, 5
85465	Bearing, 4	85587	Elevator Handle Hub, 6	86299	Pulley, 6
85471	10-32x1/2" Screw, 3	85588	Roller, 6	86300	Set of Tools, 10
85473	Detent Lever, 3	85589	Stud, 6	86302	Spring, 5
85474	Frame Bar, 1,2	85590	Elevator Handle Cam, 6	86333	3/16-40 Screw, 1
85475	Spring Post, 1,2	85591	Trip Arm, 6	86339	Shim, 4
85476	Stop Plate, 2	85592	Trip Arm Extension, 6	86340	Capstan Wrench, 10
85477	Bearing, 1,2	85593	Elevator Arm (With Shaft), 7		
85478	Spacer, 2	85594	Bushing, 7		
85480	Pushbar Lever, 7	85595	3/8"-16 Nut, 7		
85482	Spring Bar, 1,2	85601	Elevator Arm Spring, 7		
85483	Spacer, 1,2	85602	Cover - Right, 8		
85484	Code Bar Guide, 1,2	85603	Cover - Left, 8		
85488	Shim, 1,2	85605	Collar, 6		
85489	Pushbar Guide, 1,2	85606	3/8-16 Screw, 6		
85490	Cam Oiler, 1	85607	Clamp Plate, 6		
85491	Pushbar Operating Bail, 1	85608	Bracket, 8		
85492	Roller, 2	85609	1/4-20 Screw, 8		
85493	Upper Pushbar, 1	85611	Bushing, 8		
85494	Lower Pushbar, 1	85612	Cam Bail, 8		
85495	Function Pushbar, 1	85613	Shaft, 8		
85496	Pushbar Spring, 1,2	85614	Guide, 8		
85497	Codebar, 1	85615	Push Rod, 8		
85498	Codebar, 1	85616	Adjusting Bracket, 8		
85499	Codebar, 1	85619	Belt (Assem.), 6		
85500	Codebar, 1	85625	Intermed. Dist. Driving Pulley (Assem.), 6		
85501	Codebar, 1	85631	Keylever Comb, 9		
85502	Codebar, 1	85636	Keylever - 5th Bank - Style "A," 9		
85503	Shift Bar, 1	85637	Keylever - 6th Bank - Style "B," 9		
85504	Spreader Cam, 1	85638	Auxiliary Keylever - Style "C," 9		
85505	Operating Bail Cam - Right, 1	85639	Auxiliary Keylever - Style "D," 9		
85506	Operating Bail Cam - Left, 1	85642	Auxiliary Keylever Locking Rod, 9		
85507	Shift Mechanism (Assem.), 4	85651	Lockslide, 9		
85508	Bearing, 1,2	85652	Shoulder Screw, 9		
85509	Plug, 6,7	85711	Pulley, 6		
85510	Roller Arm - Right, 1,2	85712	3/8-16 Set Screw, 6		
85511	Roller Arm - Left, 1	85713	Belt, 6		
85517	Bell Crank Bearing, 1,2	85714	Hook, 6		
85518	Fulcrum Rod, 1	85715	Pulley, 6		
85519	Bell Crank Stop, 2	85716	Pulley, 6		
85520	Spring Plate, 1	85717	1/4-24 Set Screw, 6		
85521	Bell Crank, 1,2	85728	Roller Arm, 8		
85526	Mounting Plate, 2,4	85729	Extension, 8		
85527	Shift Lever, 4	85736	Taper Pin, 7		
85528	Yield Lever, 4	85739	Pinion - 10 T, 4		
85529	10-32 Shoulder Screw, 4	85816	Wick, 2		
85530	Shift Latch, 4	85820	Floating Lever, 3		
85531	Shoulder Stud, 4	85822	Roller, 4,5		
85532	Shift Bell Crank, 3,4	85823	Spacer, 2		
85533	Shift Link, 3,4	85892	Plate, 7		
85536	Transmitter Mounting Plate, 1	85893	Post, 7		
85537	Bracket - Rear, 5	85894	Spring Post, 7		
85538	Bracket - Front, 5	85897	Manual Lever, 7		
85539	Transfer Levers Bail, 4	85898	Bell Crank, 7		
85540	Bail Roller Arm, 4	85899	Link, 7		
85541	Shaft, 4	85902	Vertical Link (Lower), 7		
85542	"T" Transfer Lever, 4	85903	Vertical Link (Upper), 7		
85543	Stud, 4	85905	Lateral Rail (Upper), 7		
85544	Spacer, 4	85906	Rail Cap (Intertype), 7		
85546	Selector Lever Guide, 5	85907	Bracket, 7		
85547	Tape Feed Bail, 5	85911	Actuating Lever, 7		
85548	Bail Roller A m, 5	85912	Elevator Back Plate (Intertype), 7		
85549	1/4-32 Pilot Screw, 5	85913	Intermediate Duplex Rail, 7		
85550	Stud, 5	85914	Assembling Elevator (Intertype), 7		
85551	Selector Lever Bail, 5	85915	Elevator Back Plate (Linotype), 7		
85552	Bail Roller Arm, 5				
85553	Shaft, 5				
85555	Shaft - Lower, 5				
85556	Shaft - Upper, 5				
85557	Selector Lever, 5				
85558	Selector Lever, 5				
85559	Spacer Washer, 5				
85560	Bushing, 5				