

INSTRUCTIONS FOR INSTALLING THE 321474 MODIFICATION KIT  
TO EQUIP EARLY DESIGN KEYBOARD PERFORATORS (LKPE, LKTP) WITH  
IMPROVED CLUTCH TRIP MECHANISM

1. GENERAL

- 1.01 The 321474 modification kit revises the clutch trip mechanism in the early design keyboard perforator and includes piece parts that replace similar parts on the early design keyboard perforators.
- 1.02 The 321474 modification kit consists of:
- 1 119652 Retainer Ring
  - 1 156267 Trip Lever with Hub
  - 1 159430 Slide Trip Lever - 5 level unit
  - 1 159544 Clutch Release
  - 1 170202 Guide Post
  - 1 170203 Slide Trip Lever - 8 level unit
  - 1 311126 Adjustment Extension
- 1.03 For parts ordering information, other than the parts in the kit, see Teletype Parts Bulletin 283B.

2. INSTALLATION

- 2.01 Remove the following parts (Figure 5).
- 152893 Screw (Retain)
  - 110743 Lockwasher (Retain)
  - 125011 Flat Washer (Retain)
  - 128357 Retainer Ring (Discard)
  - 195666 Spacer (Discard)
  - 195664 or 198082 Slide Trip Lever (Discard)
  - 150241 Spring (Retain)
  - 156168 Spring (Discard)
  - 195665 Guide Lever (Discard)
  - 195663 Trip Lever (Discard)
  - 171259 Spring (Discard)
  - 195662 Lever (Discard)
  - 195661 Guide Post (Discard)
- 2.02 Replace the parts removed in 2.01 with the following parts (Figure 6).
- 170202 Guide Post - Part of 321474 Modification Kit
  - 156267 Main Trip Lever - Part of 321474 Modification Kit
  - 150241 Spring
  - 159430 or 170207 Slide Trip Lever - Part of 321474 Modification Kit
  - 119652 Retainer Ring - Part of 321474 Modification Kit
  - 125011 Flat Washer
  - 110743 Lockwasher
  - 152893 Screw

## SPECIFICATION 50606S

- 2.03 Remove and discard the 1164 screw, 70072 or 93117 lockwasher, 160861 flat washer, 195677 stop plate, and 95676 clutch release. Remove and retain the 135716 spring. Replace the above parts with 159544 clutch release and re-install the 135716 spring (Figure 7).
- 2.04 Remove the 195745 extension and replace with 311126 extension (Figure 7).
- 2.05 If an LKPE800 unit is being updated, remove and discard the two 151152 screws, two 110743 lockwashers, and one 308248 lever guide (Figure 7).
- 2.06 If an LKTP800 unit is being updated, remove and discard 151630 screw, 2191 lockwasher, 151610 flat washer, and 311480 guide lever (Figure 7).

### 3. ADJUSTMENTS AND LUBRICATION

3.01 The following adjustments pertain only to the parts supplied with the 321474 modification kit. They are arranged in the proper sequence of related adjustments. If adjustments other than those listed are changed, refer to Teletype Bulletin 283B.

#### 3.02 STOP LEVER ENGAGEMENT (Figure 1)

- (a) Requirement: With release lever resting on top of trip lever extension (Figure 2), the function clutch stop lever should engage the clutch shoe lever by the full thickness of the shoe lever.
- (b) To Adjust: Post the stop lever on its shaft with its clampscrew loosened. Tighten screw.

#### 3.03 ENDPLAY (Figure 1)

- (a) Requirement: Function clutch stop lever should have some to 0.006 inch endplay.
- (b) To Adjust: Position the stop lever on its shaft with its clampscrew loosened. Tighten screw.

Note: Adjustments 3.02 and 3.03 may be performed at the same time.

#### 3.04 FUNCTION CLUTCH RESET LEVER AND LATCHLEVER (Figure 2)

- (a) Requirement: Reset lever on the high part of its cam. Clearance gap between the clutch release lever and the trip lever extension should be 0.005 to 0.030 inch with the reset lever riding fully on its cam. There should be some clearance between the reset lever and the function cam and some to 0.010 inch between the stop lever and the function clutch latchlever.
- (b) To Adjust: Loosen clampscrew on reset lever and position on its shaft.

SPECIFICATION 50606S

3.05 CLUTCH RELEASE LEVER (Figure 3)

(a) Requirement: Remove the clutch release lever spring. Depress the LETTERS or RUBOUT key. Carefully move the clutch release lever so that its lower edge is just below the top edge of the main trip lever but not far enough to release the clutch nor to disengage the trip lever release lug from the trip lever operating arm. There should be some clearance between the end of the clutch release lever and the main trip lever. The main trip lever should have some overtravel.

(b) To adjust: Loosen the screw at the trip lever operating arm adjustment extension and adjust to meet requirement. Tighten the screw. Check the adjustment by manually depressing the clutch release lever to release the clutch. Rotate the shaft through one cycle. Check the adjustment and refine if necessary.

3.06 RESET BAIL TRIP LEVER ADJUSTMENT (Figure 4)

(a) Requirement: With BLANK combination selected, manually rotate reset bail trip lever. The punch slide reset bail should trip before the function clutch is tripped.

(b) Requirement: With the function clutches disengaged and latched, the punch slide reset bail should fully engage the punch slide latching surface. Take up the play in the parts so that engagement is minimum.

(c) To adjust: With the trip extension lock screw friction tight and LETTERS combination selected, position reset bail against punch slides. Take up play between reset bail and the trip lever in a counterclockwise direction. Position the trip lever by means of its pry point. Tighten the lock screw. Recheck blank adjustment above and refine if necessary.

3.07 For standard lubrication procedure, refer to Teletype Bulletin 283B.

SPECIFICATION 50606S

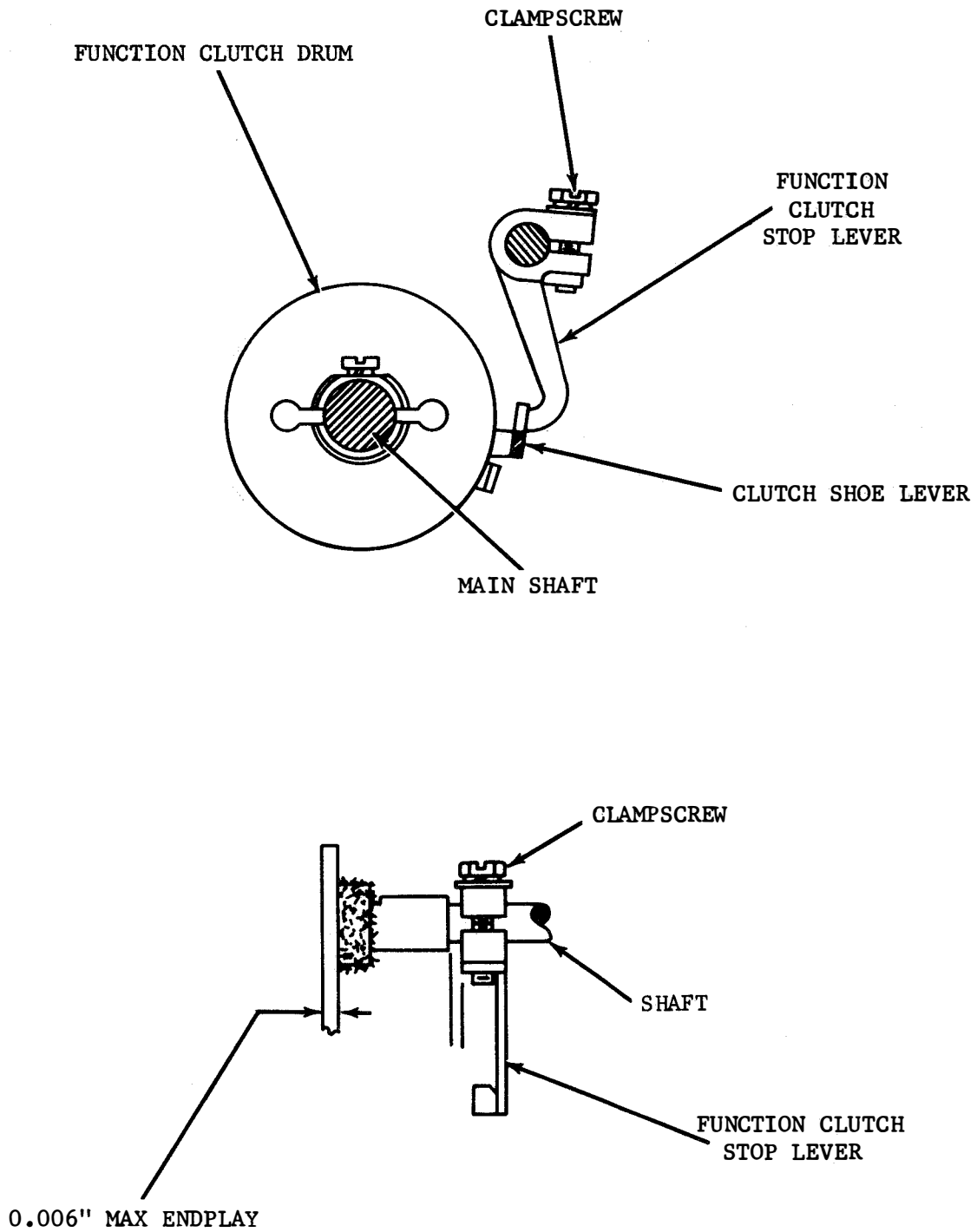


Figure 1

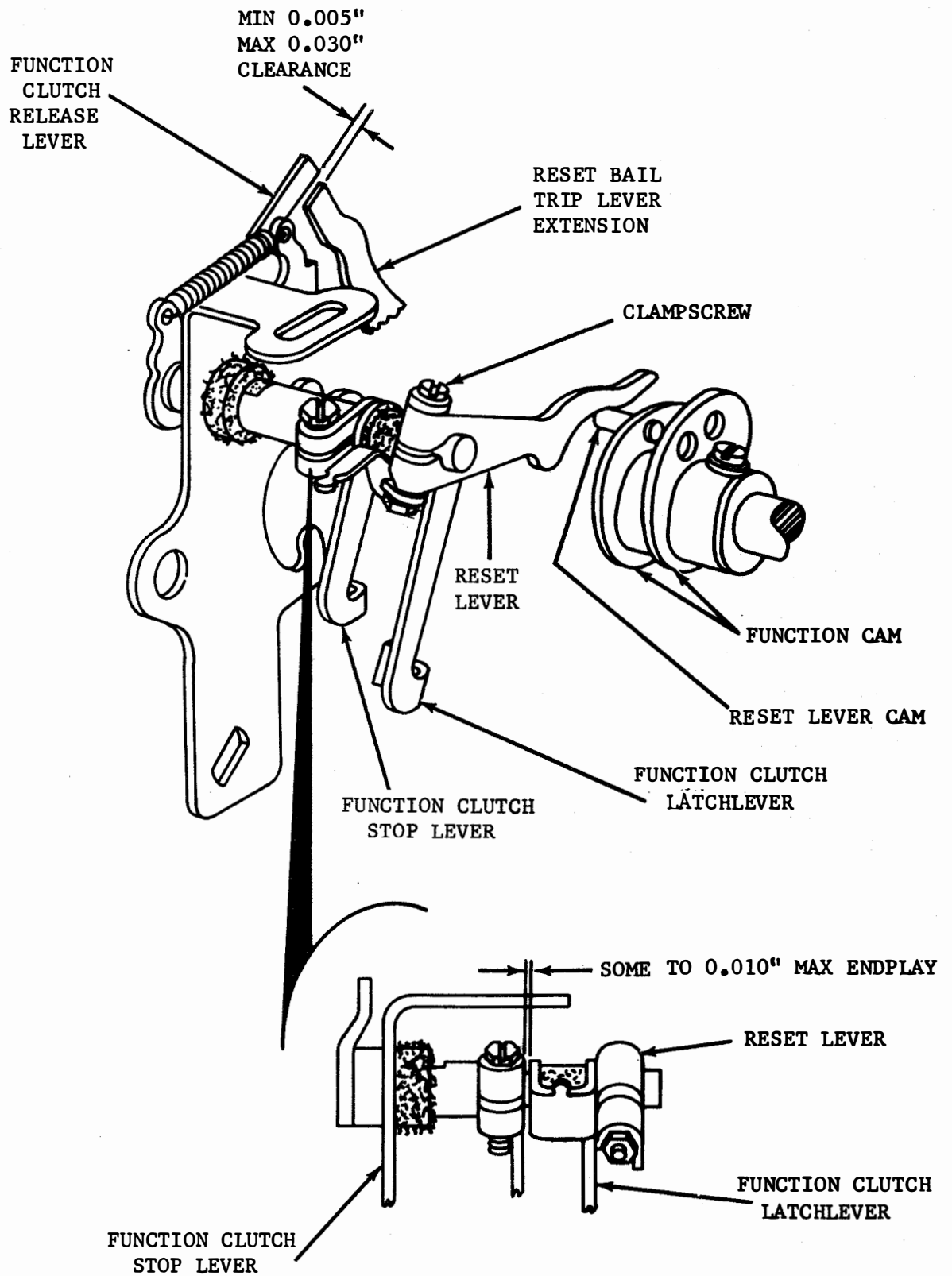


Figure 2

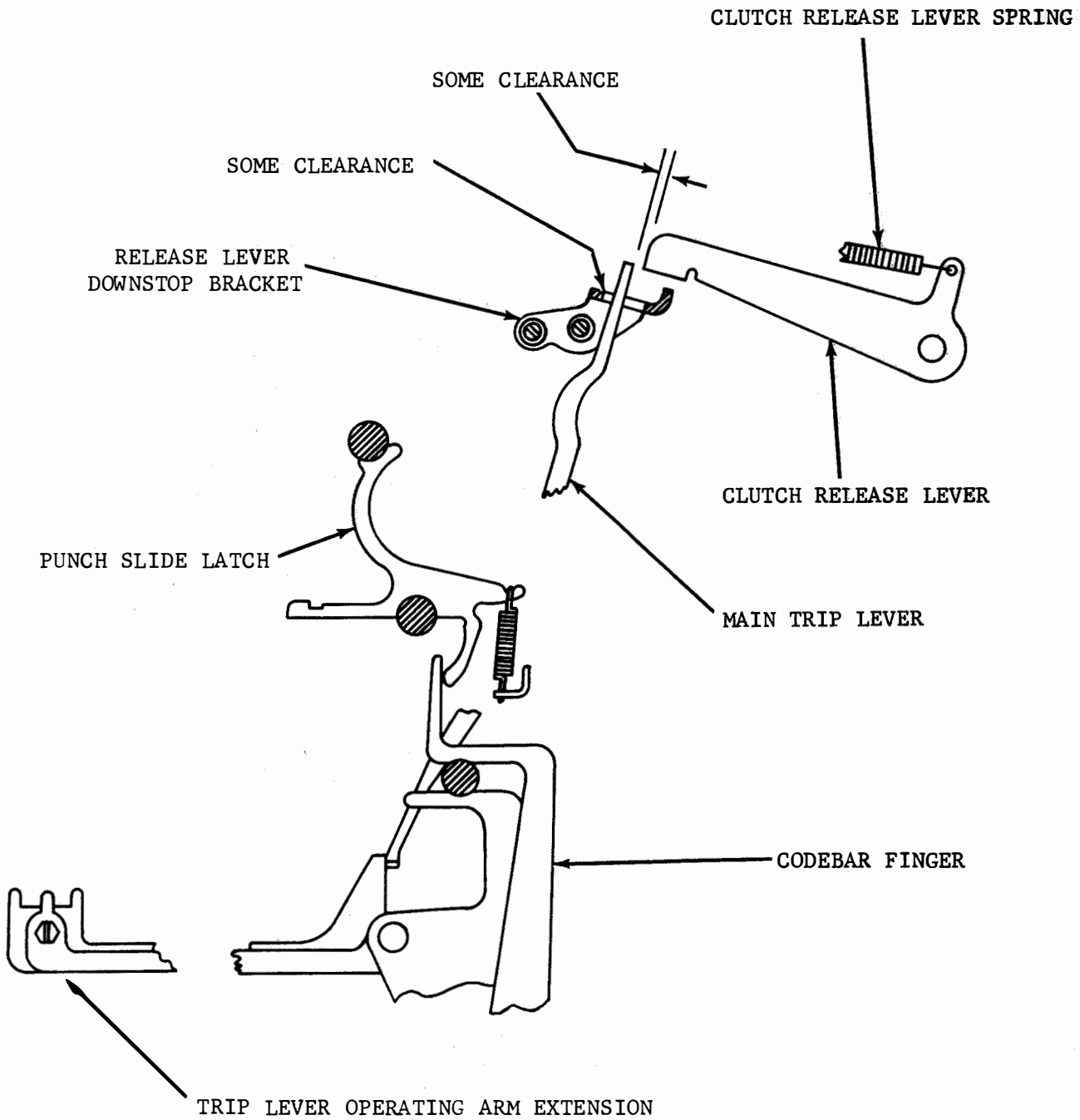


Figure 3

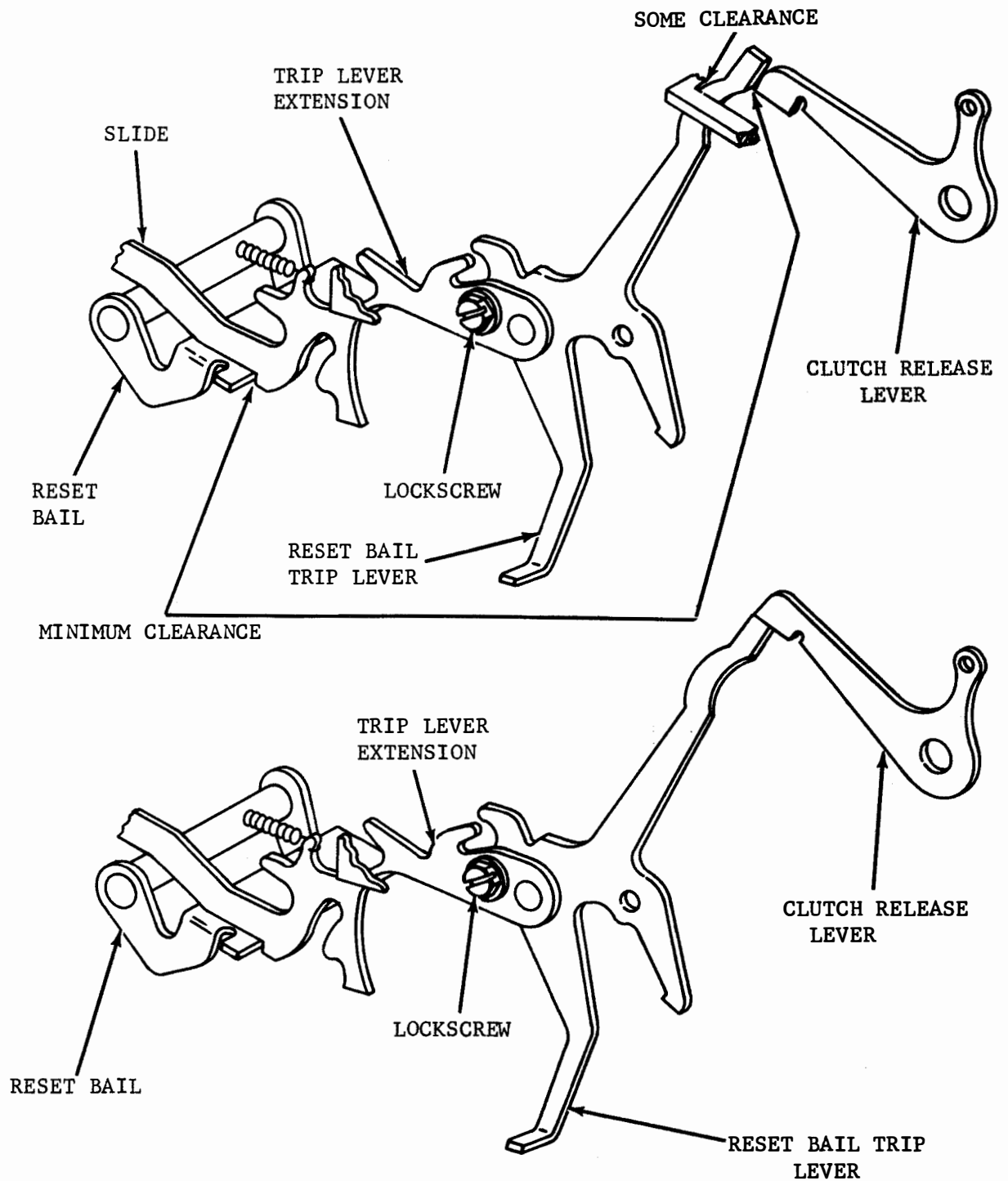


Figure 4

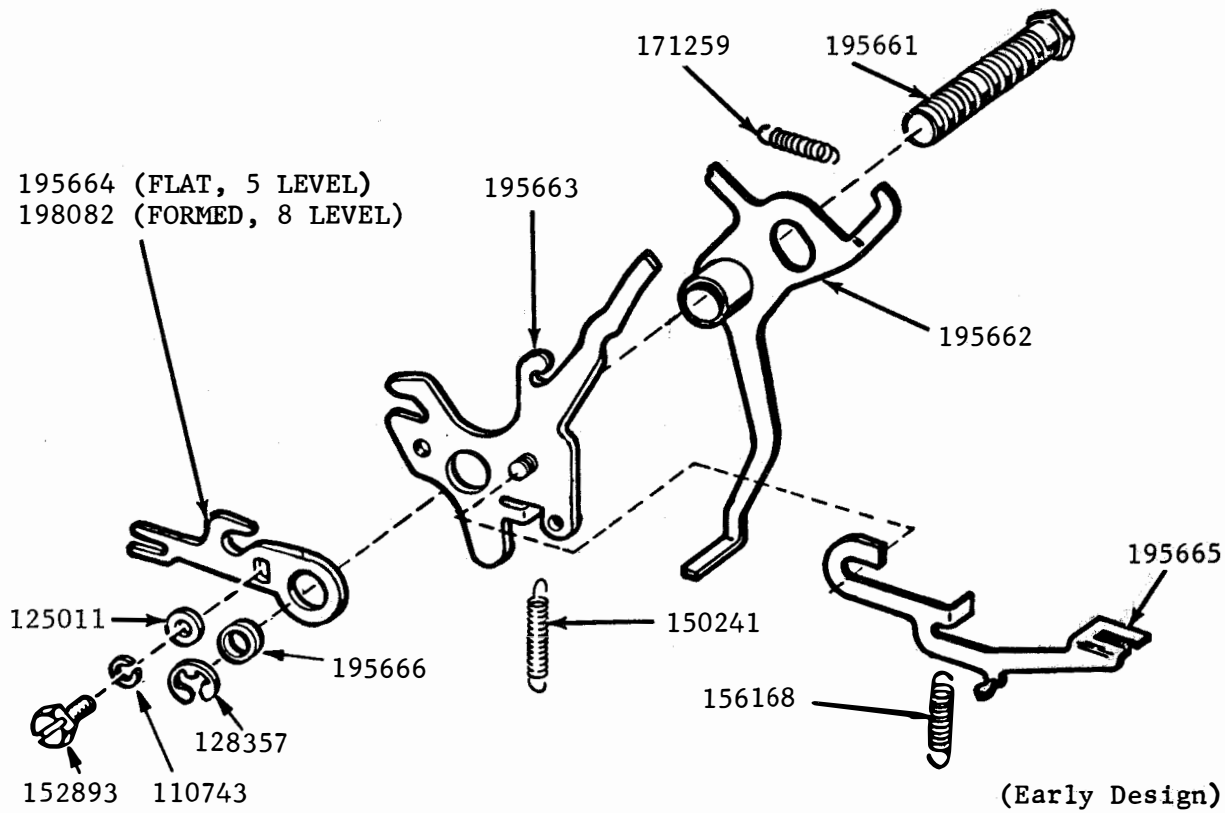


Figure 5

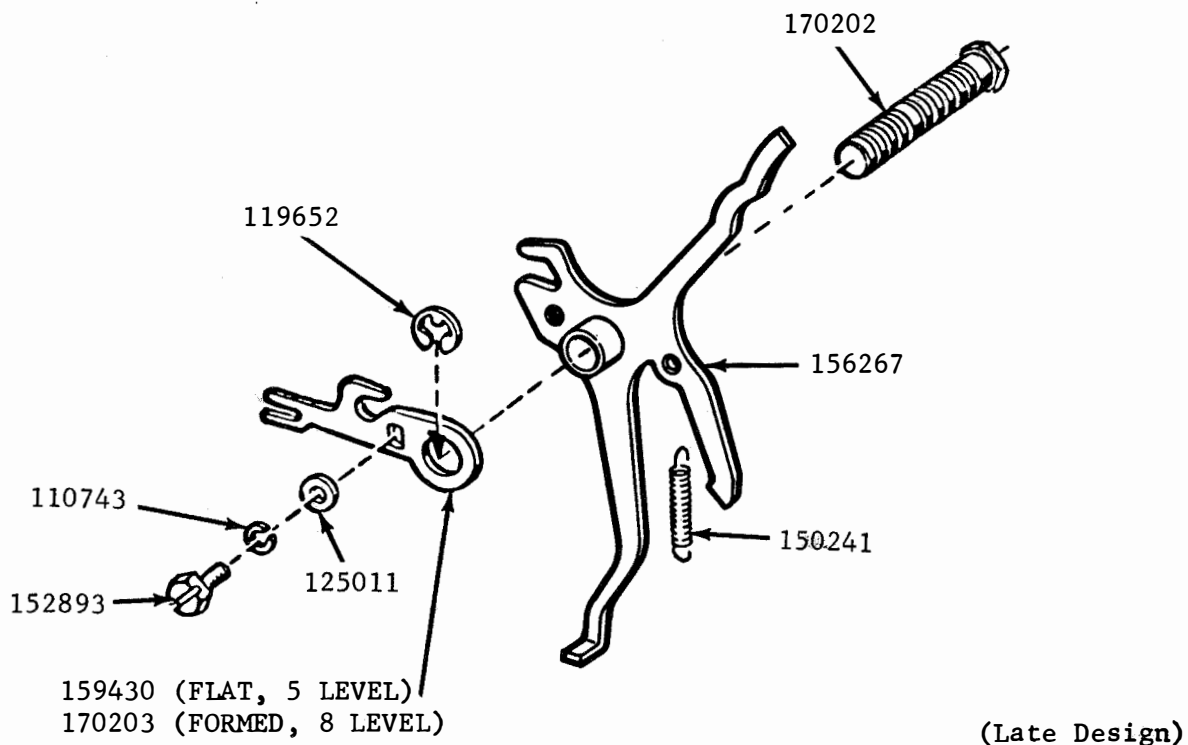
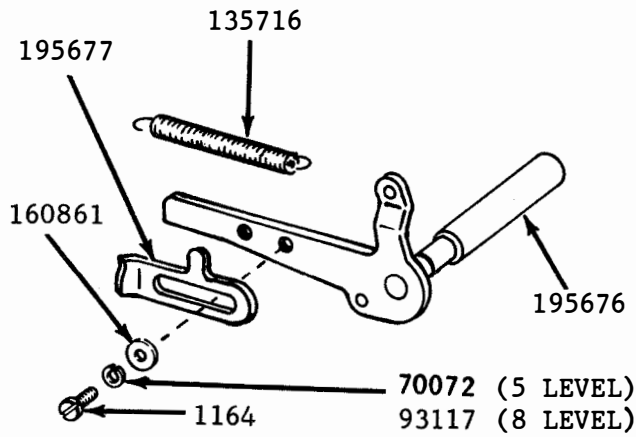
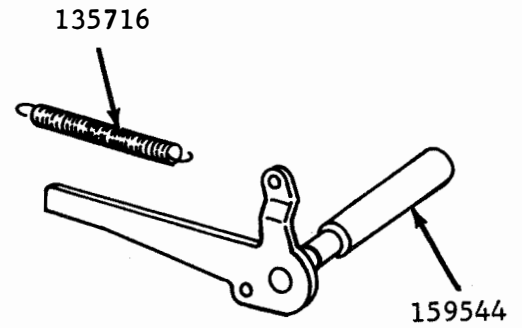


Figure 6

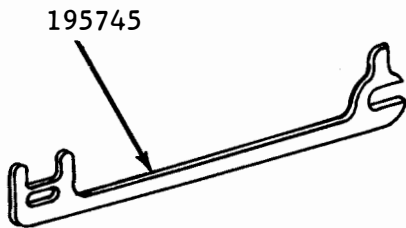




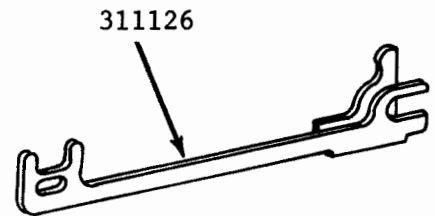
(Early Design)



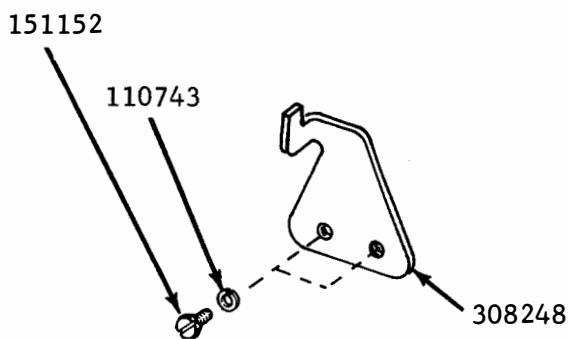
(Late Design)



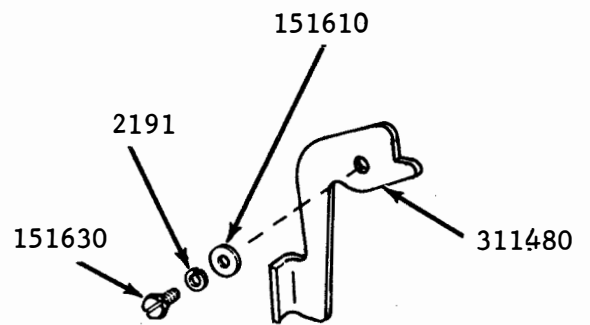
(Early Design)



(Late Design)



(Early Design LKPE)



(Early Design LKTP800)

Figure 7

