

INSTRUCTIONS FOR INSTALLING THE 185730 MODIFICATION
KIT TO ADD MOTOR FUSE TO MODEL 32/33 SETS

1. GENERAL

- 1.01 The 185730 modification kit prevents excessive current to the windings of the motors of the Model 32/33 Sets.
- 1.02 The applicable fuse of the modification kit will open the motor winding circuits in approximately 25 seconds if the rotor of the motor becomes stalled. The fuse will not interrupt full load motor current in a printer set ambient temperature as high as 110°F.
- 1.03 The 185730 kit consists of:

1	138538	Fuse, 2.0 amp, SL-BL
1	143306	Fuse, 1.0 amp, SL-BL
1	182068	Fuse identification label, 2-1/4 amp, SL-BL
1	182069	Fuse identification label, 1.8 amp, SL-BL
1	182182	Fuseholder assembly
1	185680	Fuse identification label, 2.0 amp, SL-BL
1	185732	Fuseholder bracket
1	185731	Wire lead
1	185733	Insulator
1	185734	Fuse, 2-1/4 amp, SL-BL
1	185833	Fuse identification label, 1-1/4 amp, SL-BL
1	185834	Fuse identification label, 1.0 amp, SL-BL
1	185721	Fuseholder bracket
1	185843	Fuse, 1-1/4 amp, SL-BL
1	195245	Insulating sleeve
1	196932	Insulating sleeve
1	320246	Fuse, 1.8 amp, SL-BL

- 1.04 For parts ordering information, other than the parts in the kit, see Teletype Parts Bulletin 1184B or Section 574-122-800.

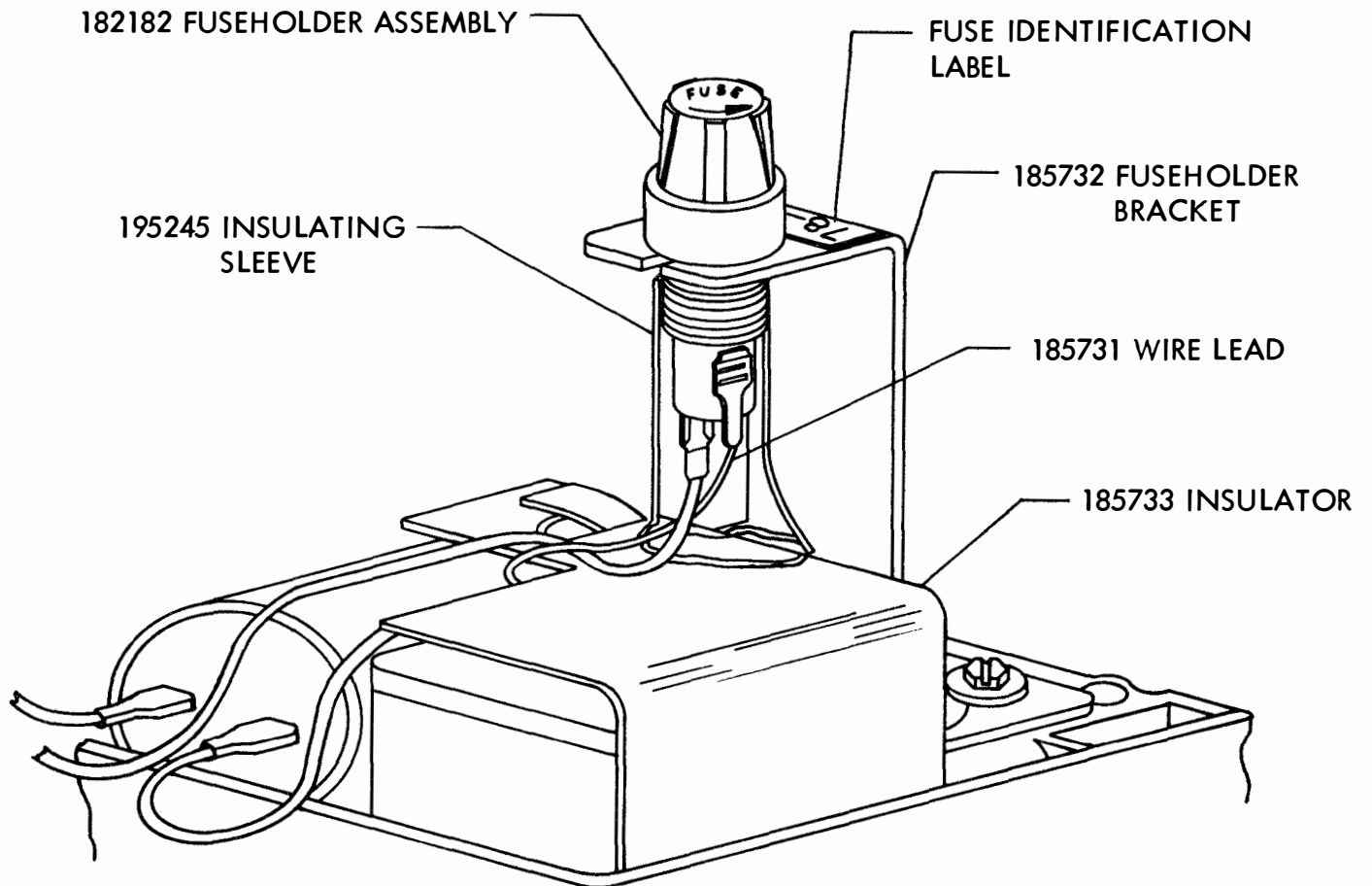
2. INSTALLATION (See Figures 1 and 2)

CAUTION: DISCONNECT ALL AC POWER AND SHORT CIRCUIT THE TERMINALS OF THE MOTOR CAPACITORS TO AVOID THE POSSIBILITY OF AN ELECTRICAL SHOCK.

- 2.01 Remove the printer set cover.

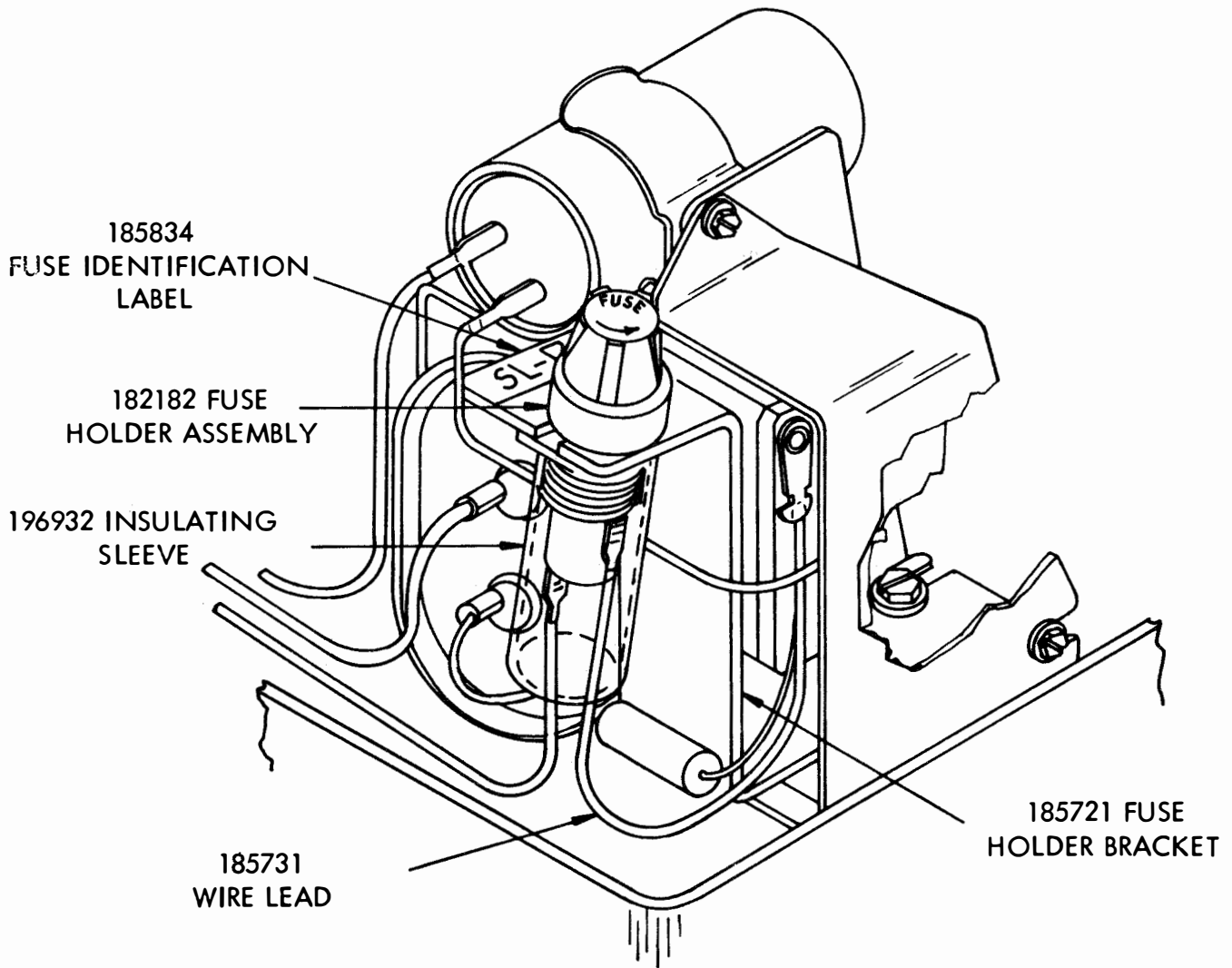
SPECIFICATION 504285

- 2.02 Loosen the 180798 screw fastening the bracket of the 181877 or 181869 motor starting relay.
- 2.03 Remove the 181386 or 181867 insulator from beneath the motor starting relay and discard the 181386 insulator.
- 2.04 Install the 182182 fuseholder assembly into the 185732 or 185721 fuse bracket.
- 2.05 Remove the printer cable lead from the applicable terminal of the motor starting relay (no. 4 for the 181877 relay, no. 3 for the 181869 relay).
- 2.06 Slip the 195245 or 196932 insulating sleeve over the printer cable lead removed from the motor starting relay.
- 2.07 Attach the printer cable lead to the end terminal of the 182182 fuseholder assembly. Straighten the end terminal of the 182182 fuseholder assembly as necessary to install in the proper manner.
- 2.08 Attach one end of the 185731 wire lead to the body terminal of the fuseholder assembly and slip the other end of the lead through the 195245 or 196932 insulating sleeve. Attach the loose end of the 185731 wire lead to the no. 4 or no. 3 terminal of the motor starting relay.
- 2.09 Slide the 195245 or 196932 insulating sleeve up around the terminals and threads of the fuseholder assembly.
- 2.10 Install the 185733 or 181867 insulator.
- 2.11 Dress the leads to the 182182 fuseholder assembly and motor starting relay and install the fuse bracket foot in position under the 180798 screw. Tighten down the screw. Sets that have motor starting relay on the hot side of the line require no further changes. If the motor starting relay is on the ground side of the AC line exchange the motor leads at the printer terminal block. This change will put the motor starting-relay on the hot side of the line. Refer to the wiring diagram of the set involved.
- 2.12 Install the appropriate fuse in the 182182 fuseholder assembly and replace the printer set cover. Apply the appropriate fuse identification label (Figures 1 and 2).
- 2.13 Replace the printer set cover.



MOTOR	FUSE VALUE	FUSE	IDENTIFICATION LABEL
181361	1-1/4A. SL-BL	185843	185833
181870	2-1/4A. SL-BL	185734	182068
182241	2.0 A. SL-BL	138538	185680
182267	1.8 A. SL-BL	320246	182069

INSTALLATION FOR 181361, 181870, 182241, AND 182267 MOTORS



INSTALLATION FOR 181861 MOTOR USING
143306 1.0 AMP SL-BL FUSE

Figure 2