

INSTRUCTIONS TO CONVERT TELETYPEWRITER EQUIPMENT FROM
7.42 UNIT CODE TO 7.00 UNIT CODE WITH AND WITHOUT SYNCHRON-
OUS PULSED TRANSMISSION AND 45.5, 50, 75 BAUD SPEEDS

1. GENERAL (See Table 1)

a. The 194028 modification kit is used to modify Teletypewriter AN/UGC-6, AN/UGC-6A, AN/UGC-6AX, AN/UGC-6B, AN/UGC-6C, and AN/UGC-6X, covered in NAVSHIPS 93534.

b. The 194029 modification kit is used to modify Teletypewriter TT-47D/UG, TT-47E/UG, TT-48C/UG, TT-69C/UG, TT-70D/UG, TT-234/SGA-3, and others where required, covered in NAVSHIPS 93241.

c. The 194030 modification kit is used to modify Perforator - Reperforator, Teletypewriter TT-253/UG, covered in NAVSHIPS 94456.

d. The 194031 modification kit is used to modify Distributor-Transmitter, Teletypewriter TT-187/UG, TT-187A/UG, TT-273/UG, covered in NAVSHIPS 92733(A).

e. The 194032 modification kit is used to modify Perforator-Reperforator, Teletypewriter TT-192/UG, TT-192A/UG, covered in NAVSHIPS 94456.

f. The 305674 modification kit (MK-829/UGC-6) converts ASR Set AN/UGC-6E, 6F, and 6L from 7.42 to 7.00 unit code, 45.5, 50, and 75 baud operation.

g. The 305542 modification kit (MK-891/UG) converts KSR Set and Send-Receive Typing Reperforator Set containing Mark III Keyboards from 7.42 to 7.00 unit code 45.5, 50 and 75 baud operation (TT-47F, G, J, K, 48F, G, H, J, 69E, 70E, F, 176C, and 253C, D/UG).

NOTE

All KSR Sets in the Navy System containing LK1 and LK3 Keyboards should have been replaced by Mark III Keyboards except the TT-176/UG.

h. Modification Kit MK-698/UG is used to modify Teletypewriter

TT-47/UG, TT-47A/UG, TT-47B/UG, TT-47C/UG, TT-48/UG,
TT-48A/UG, TT-48B/UG, TT-69/UG, TT-69A/UG, TT-69B/UG,
TT-70/UG, TT-70A/UG, TT-70B/UG, TT-70C/UG, TT-129/UG,
TT-129A/UG, TT-130/UG, TT-130A/UG, TT-130B/UG, TT-130C/
UG, covered in NAVSHIPS 91393, 91713, 93241.

i. Modification kit MK-699/UG is used to modify Teletypewriter TT-176/UG, TT-176A/UG, covered in NAVSHIPS 92361, 93241.

j. Each of the above modification kits (excluding 194032, 305542 and 305674) contains the appropriate cams, gears, magnets, and associated parts to convert the set described in its title from 7.42 to 7.00 unit code operation with synchronous pulsed transmission. The 194032 modification kit contains the appropriate gears to convert the RO Typing Reperforator Set to 45.5, 50, 75 baud speeds. The 305674 modification kit contains the appropriate cams, gears and associated parts to convert the AN/UGC-6E from 7.42 to 7.00 unit code, 45.5, 50 and 75 baud operation. The 305542 modification kit contains the appropriate gears to convert a KSR Set to 45.5, 50, and 75 baud speeds, 7.00 unit code.

2. INSTALLATION

a. 194028, 194029, 194030, 305674, and 305542 (MK-891/UG) modification kits.

(1) Keyboard (LAK, LK, LTRK)

(a) Install the 193800, 194424 or 194425 modification kit in accordance with Specification 50047S. Spark suppression for the clutch trip magnets is not provided with these kits. File the keyboard (LTRK), if necessary, to provide clearance for the clutch trip contact; avoid getting filings in the unit (except 305674 kit).

(b) Replace the 151129 gear with the 163460 gear.

(c) Replace the 154032 gear sleeve and 154154 cam with the 163519 gear sleeve and 311451 cam respectively.

(d) Replace the present gear set with the 173795 (45.5 baud), 163504 (50 baud), or 163505 (75 baud) gear set.

(2) Typing Unit (LP) or Keyboard (LTRK)

(a) Replace the 150441 and 150439 gears with the 163503 and 163459 gears respectively.

(b) Install the 150440 hub, 151693 screw, and 2191 lockwasher if not present on unit.

(3) Distributor - Transmitter (LXD) and Base (LCXB) - 194028 modification kit.

(a) Replace the two 256M magnets with the 262M magnets. Wire in accordance with Wiring Diagram 4264WD (except 305674 kit).

(b) Replace the 156836 cam shaft with the 164285 cam shaft.

(c) On Base (LCXB), replace the present gear set with the 173776 (45.5 baud), 163499 (50 baud), or 163454 (75 baud) gear set.

(4) Auxiliary Typing Reperforator (LPR) - ASR only.

(a) For the 194028 kit replace the 161807 gear shift bracket assembly with the 192678 gear shift bracket assembly and shift to desired speed (except 305674 kit).

(b) For the 305674 modification kit, replace the following parts of the 178869 gear shift bracket assembly; 158712 gear, 158716 gear and 178884 gear shift assembly with 179963 gear, 179962 gear and 192679 gear shift assembly respectively. Refer to Figure 2 for location of parts.

(5) Remove backing from the 194342 identification plate and apply plate (on clean surface) below the present overall set plate.

b. 194031 modification kit for Distributor-Transmitter (LXD)

(1) Follow procedure in Paragraph 2a(3)(a) and (b).

(2) Replace the present gear set with the 173598 (45.5 Baud), 161359 (50 Baud), or 173595 (75 Baud) gear set.

(3) Follow procedure in Paragraph 2a(5).

c. 194032 modification kit

(1) Replace the 159420 gear shift assembly with the 179965 modification kit in accordance with Specification 5801S.

(2) Follow procedure in Paragraph 2a(5).

d. Install the 305542 kit by following procedure out-lined in Paragraphs 2a(1)(b), (c), (d), 2a(2)(a), (b), and 2a(5).

e. Modification kit MK-698/UG, MK-699/UG.

(1) Replace the present keyboard with Keyboard LK30ARN (TT-357/UG) or LK35ARN (TT-388/UG).

(2) Remove the AC motor and install it on the keyboard supplied.

(3) Follow procedure in Paragraph 2a(1)(d).

(4) For aerological weather service, keyboards.

(a) Remove the keyboard arrangement 151739***screw (located on the right side of the keyboard, just above the keyboard keys). Install this screw on the keyboard supplied in place of the present screw.

(b) Use a keylever remover to remove the weather aerological keylevers and install these on the keyboard supplied in place of the present keylevers.

(5) For typing unit, follow procedure in Paragraph 2a(2)(a).

(6) For electrical service unit not equipped with the 152465 connector wire in accordance with Figure 1.

(7) Follow procedure in Paragraph 2a(5).

*

*

*

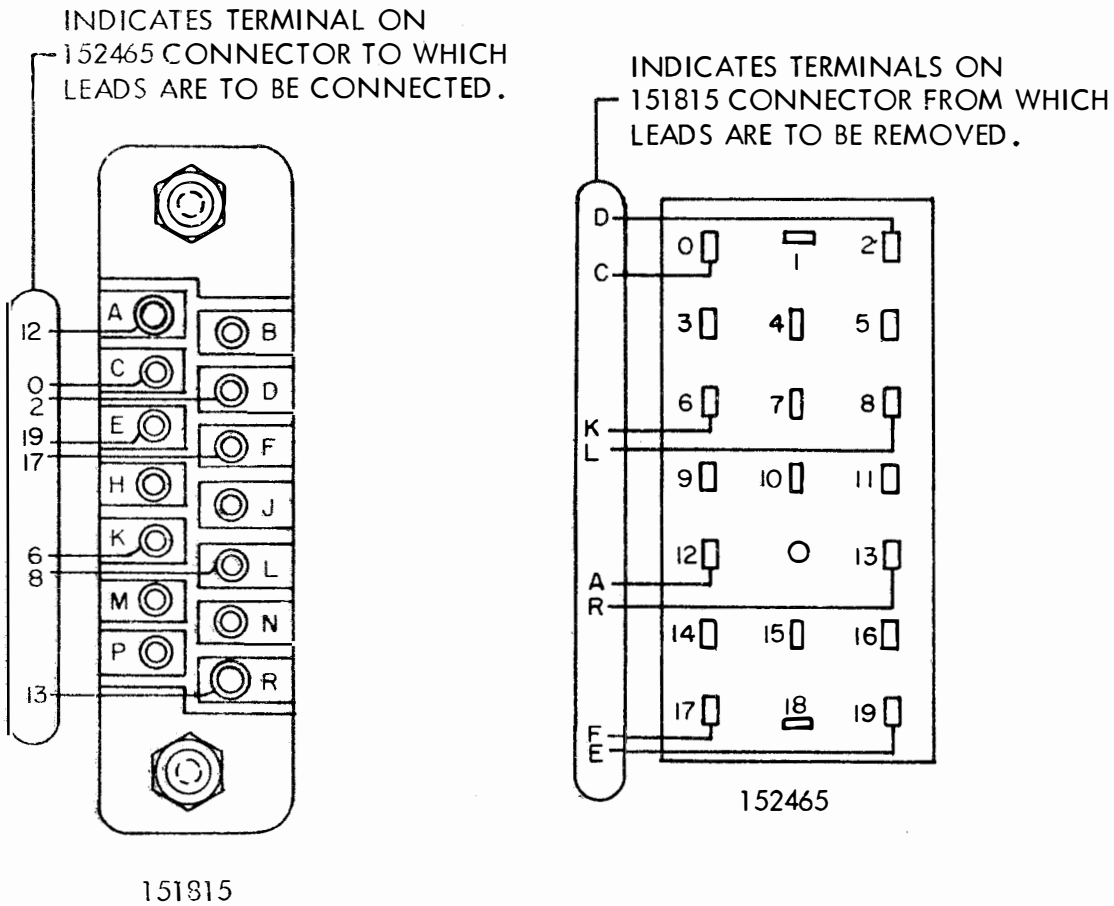


FIGURE 1. WIRING CHANGES FOR POWER DISTRIBUTION PANEL SB-154/UG

50122S

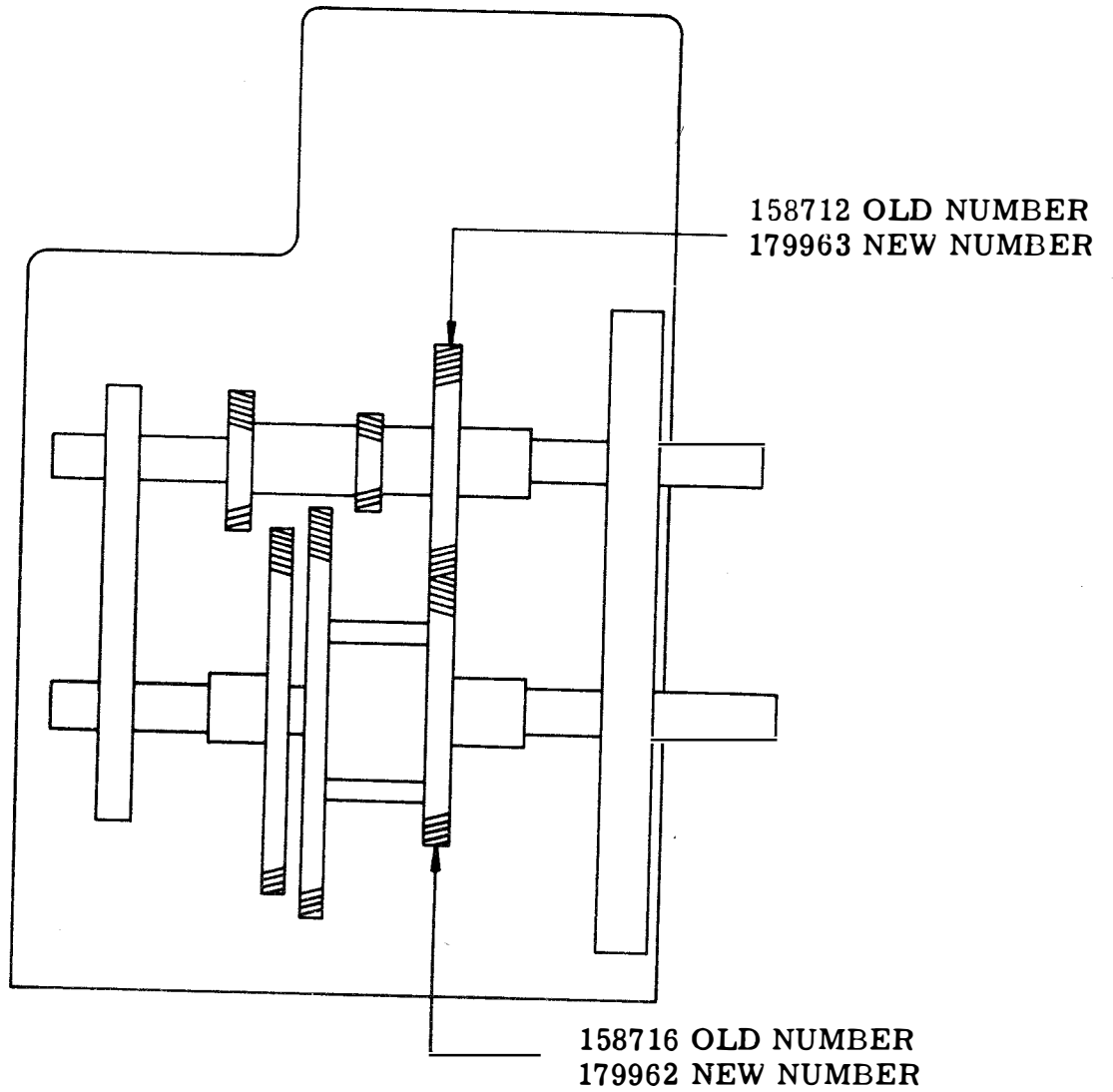


Figure 2



COVER PAGE 1

NAVSHIPS 981560(B)

0967-972-8030 Formerly 0285-058-8110

FIELD CHANGE BULLETIN

<u>EQUIPMENT</u>	<u>FIELD CHANGE NUMBER</u>	<u>FEDERAL STOCK NUMBER FOR MODIFICATION KIT</u>	<u>TELETYPE PART NUMBER OR NOMENCLATURE</u>
AN/UGC-6E, 6F, & 6L	(none assigned)	(none assigned)	MK-829/UGC-6
AN/UGC-6	2	F5815-981-3249	194028
AN/UGC-6A	1	F5815-981-3249	194028
AN/UGC-6AX	1	F5815-981-3249	194028
AN/UGC-6B	1	F5815-981-3249	194028
AN/UGC-6C	1	F5815-981-3249	194028
AN/UGC-6X	1	F5815-981-3249	194028
TT-47/UG	3	F5815-088-6024	MK-698/UG
TT-47A/UG	3	F5815-088-6024	MK-698/UG
TT-47B/UG	1	F5815-088-6024	MK-698/UG
TT-47C/UG	2	F5815-088-6024	MK-698/UG
TT-47D/UG	2	(none assigned)	194029
TT-47E/UG	2	(none assigned)	194029
TT-48/UG	3	F5815-088-6024	MK-698/UG
TT-48A/UG	3	F5815-088-6024	MK-698/UG
TT-48B/UG	2	F5815-088-6024	MK-698/UG
TT-48C/UG	2	(none assigned)	194029
TT-69/UG	3	F5815-088-6024	MK-698/UG
TT-69A/UG	3	F5815-088-6024	MK-698/UG
TT-69B/UG	2	F5815-088-6024	MK-698/UG
TT-69C/UG	2	(none assigned)	194029
TT-70/UG	3	F5815-088-6024	MK-698/UG
TT-70A/UG	3	F5815-088-6024	MK-698/UG
TT-70B/UG	1	F5815-088-6024	MK-698/UG
TT-70C/UG	2	F5815-088-6024	MK-698/UG
TT-70D/UG	2	(none assigned)	194029
TT-129/UG	1	F5815-088-6024	MK-698/UG
TT-129A/UG	1	F5815-088-6024	MK-698/UG
TT-130/UG	1	F5815-088-6024	MK-698/UG
TT-130A/UG	1	F5815-088-6024	MK-698/UG
TT-130B/UG	1	F5815-088-6024	MK-698/UG
TT-130C/UG	1	F5815-088-6024	MK-698/UG
TT-176/UG	2	F5815-088-6025	MK-699/UG
TT-176A/UG	2	F5815-088-6025	MK-699/UG
TT-187/UG	1	F5815-981-3250	194031
TT-187A/UG	1	F5815-981-3250	194031
TT-192/UG	1	F5815-981-3252	194032
TT-192A/UG	1	F5815-981-3252	194032
TT-253/UG	2	F5815-981-3251	194030
TT-234/SGA-3	2	(none assigned)	194029
TT-273/UG	1	F5815-981-3250	194031

NAVSHIPS 981560(B)

FIELD CHANGE BULLETIN

<u>EQUIPMENT</u>	<u>FIELD CHANGE NUMBER</u>	<u>FEDERAL STOCK NUMBER FOR MODIFICATION KIT</u>	<u>TELETYPE PART NUMBER OR NOMENCLATURE</u>
TT-47F, G, J, K/UG	(none assigned)	F5815-914-1880	MK-891/UG
TT-48F, G, H, J/UG	(none assigned)	F5815-914-1880	MK-891/UG
TT-69E/UG	(none assigned)	F5815-914-1880	MK891/UG
TT-70E, F/UG	(none assigned)	F5815-914-1880	MK-891/UG
TT-176C/UG	(none assigned)	F5815-914-1880	MK-891/UG
TT-253C, D/UG	(none assigned)	F5815-914-1880	MK-891/UG