

Bulletin No. 1025
Issue 2
October, 1937

TELETYPE

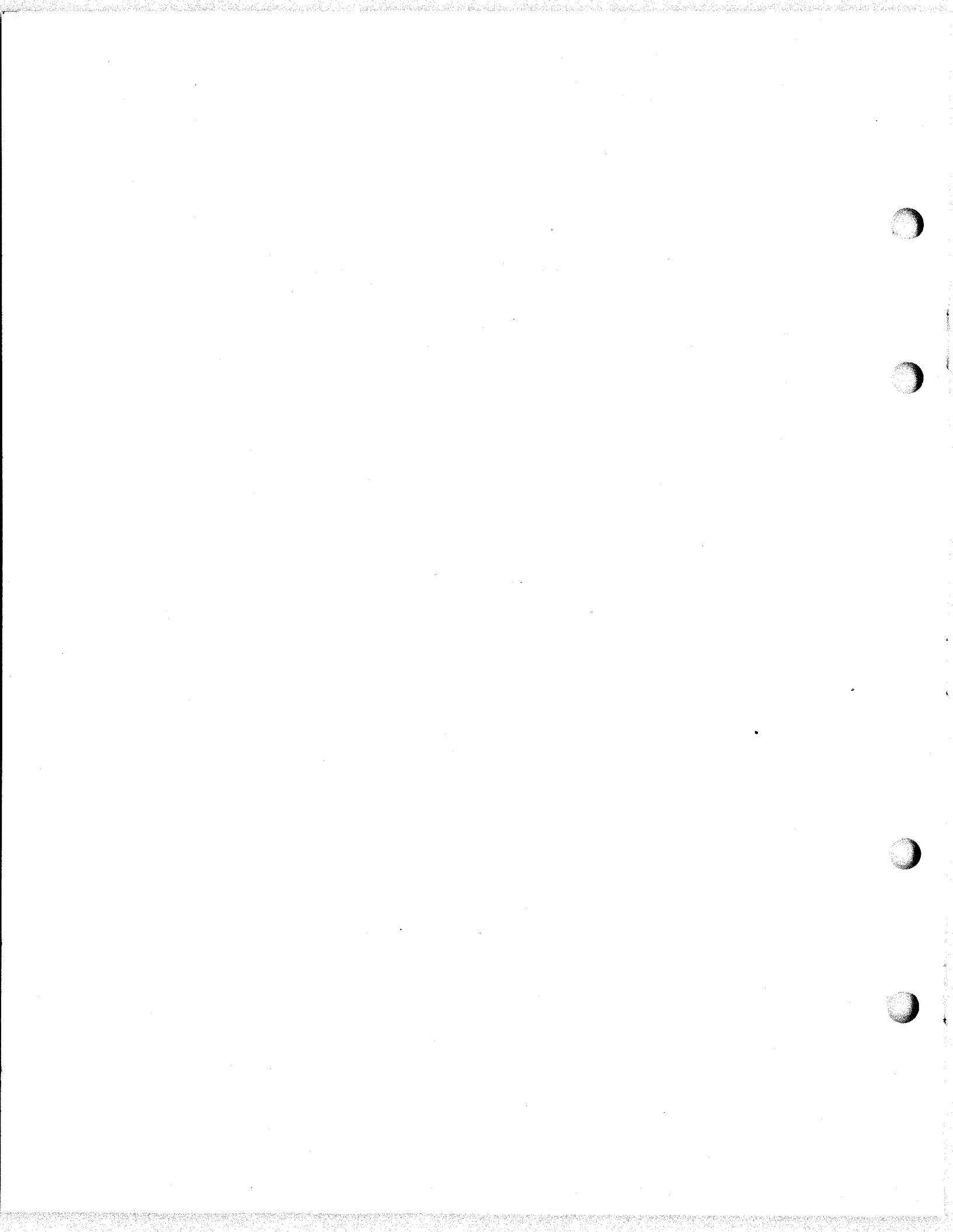
PRINTING TELEGRAPH SYSTEMS

PARTS

TELETYPE WHEATSTONE PERFORATOR



CORPORATION
SUBSIDIARY OF
Western Electric Company
CHICAGO, U.S.A.



NEW FEATURES AND CHANGES IN
BULLETIN NO. 1025, ISSUE 2
PARTS - TELETYPE WHEATSTONE PERFORATOR

Page 2

The 71838 washer should read 71858 washer.

Page 7

The 89216 solenoid plunger, 89094 stud and 55210-B cotter pin have been replaced by a solenoid plunger (assem.) of improved design, which consists of the following parts:

95155 Solenoid Plunger Set of Parts				
95152	Solenoid Plunger (Assem.)	{1}	Includes—	36-137 Pin (1)
95153	Pin	{1}		55133 Washer (1)
95154	Bearing	{2}		
2322	Lock Washer	{2}		

Note:

The 89094 stud and 55210-B cotter pin will be furnished for maintenance on units equipped with old style 89216 solenoid plungers. The 89216 solenoid plunger is no longer available. If, therefore, it is necessary to replace an 89216 solenoid plunger, the 95155 set of parts must be ordered. This set of parts will also be furnished on all orders for 89216.

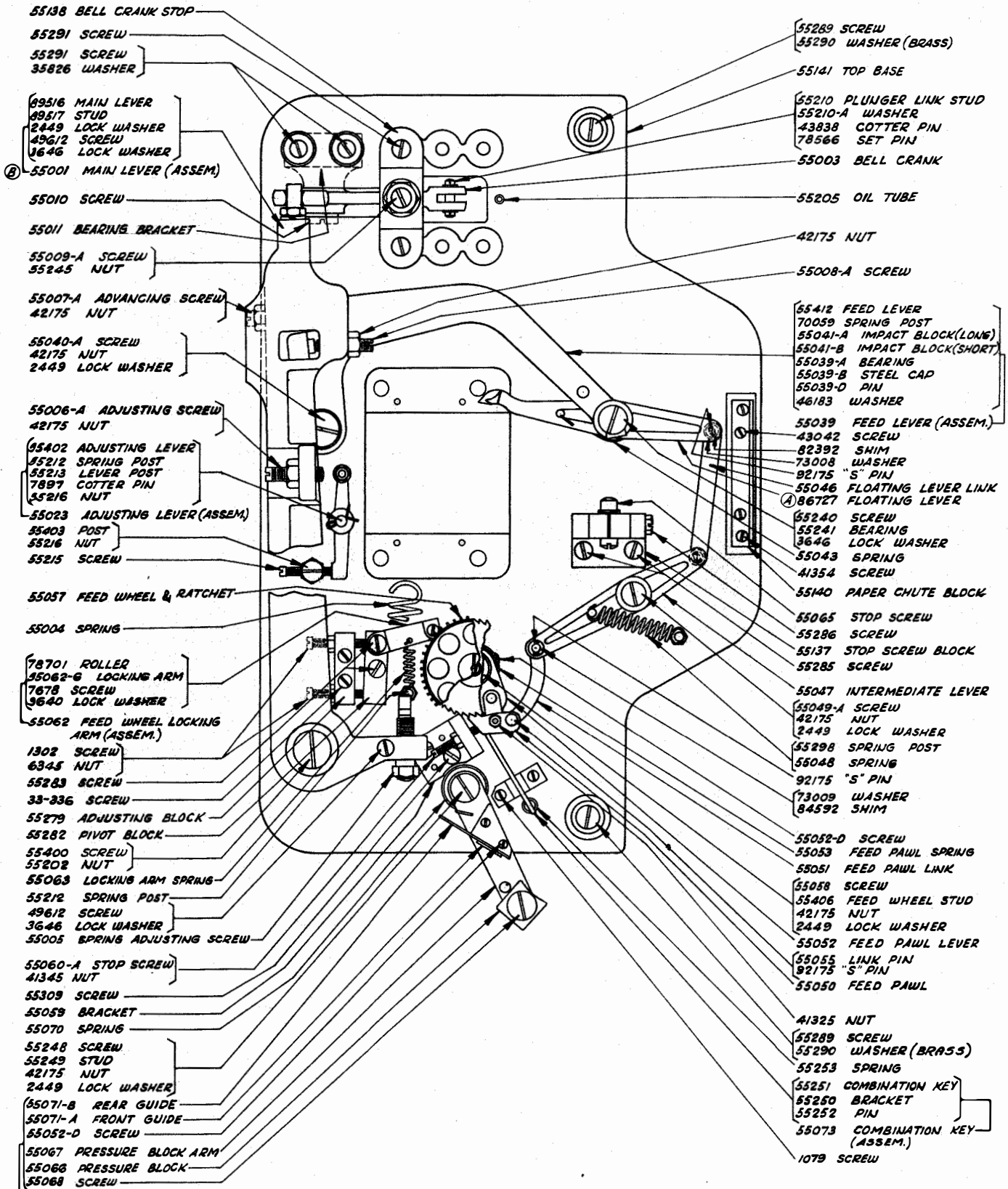
Page 12

The chart on Page 2 of this correction sheet covers selector bars which have code combinations instead of characters stamped thereon.

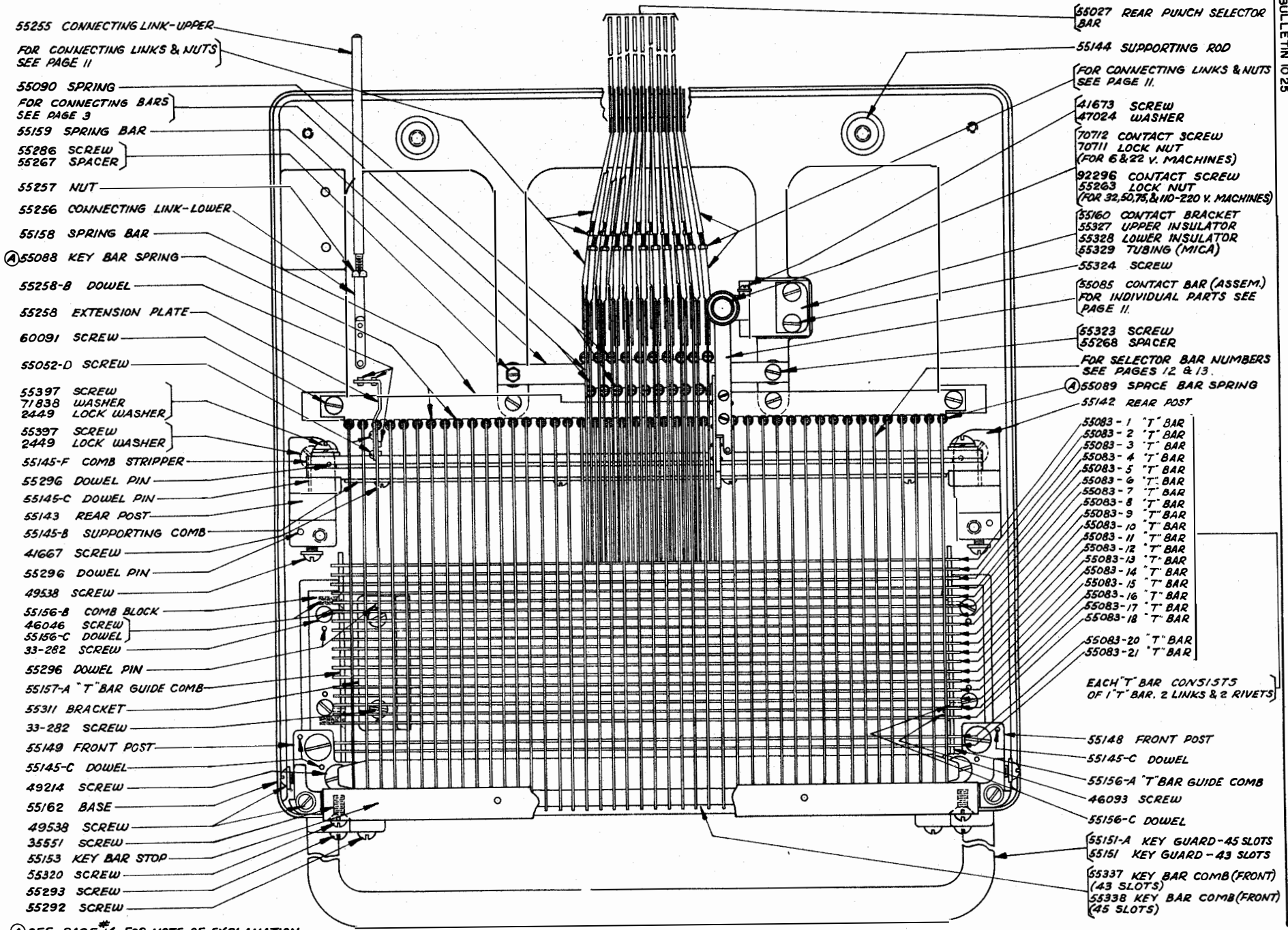
ALPHABETICAL INDEX

	<u>Page</u>
Cable	7
"Cable" Die (Assem.) - 7 & 9 Holes	6
Cable Pressure Block	10
"Cable" Punch Block (Assem.)	6
Chad Box	8
Chad Chute (Assem.)	10
Coils	7
Combination Key Lever	11
Condenser Unit (Assem.)	7,13
Connecting Bars	3
Connecting Links	2,11
Contact Bar (Assem.)	11
"Continental" Die (Assem.) - 11 Holes	5
"Continental" Punch Block (Assem.)	5
Copyholder	9
Cords	7
Covers	8,9
Die and Punches (Assem.)	5,6
Feed Mechanism	1
Key Levers	4
Links	2,11
Lower Base (Assem.) - Bottom View	3
Lower Base (Assem.) - Top View	2
Main Lever	1
Message Rack	9
Notes of Explanation	14
Numerical Index	15
Paper Reel (Assem.)	10
Power Cord (Assem.)	7
Punch Blocks	5,6
Selector Bars	12,13

	<u>Page</u>
Shock Absorber (Assem.)	8
Silencing Case	8
Solenoid (Assem.)	7
Special Combination Key Lever (Assem.)	11
Terminal Blocks (Assem.)	3,10
Tools	13
Top Base (Assem.)	1
"T" Bars	2



CONTINENTAL PRESSURE BLOCK - FOR CABLE PRESSURE BLOCK SEE PAGE 10
 (B) SEE PAGE 14 FOR NOTES OF EXPLANATION.



- 55255 CONNECTING LINK-UPPER
- FOR CONNECTING LINKS & NUTS
SEE PAGE 11
- 55090 SPRING
- FOR CONNECTING BARS
SEE PAGE 3
- 55159 SPRING BAR
- 55286 SCREW
- 55267 SPACER
- 55257 NUT
- 55256 CONNECTING LINK-LOWER
- 55158 SPRING BAR
- 55088 KEY BAR SPRING
- 55258-B DOWEL
- 55258 EXTENSION PLATE
- 60091 SCREW
- 55052-D SCREW
- 55397 SCREW
- 71838 WASHER
- 2449 LOCK WASHER
- 55397 SCREW
- 2449 LOCK WASHER
- 55145-F COMB STRIPPER
- 55296 DOWEL PIN
- 55145-C DOWEL PIN
- 55143 REAR POST
- 55145-B SUPPORTING COMB
- 41667 SCREW
- 55296 DOWEL PIN
- 49538 SCREW
- 55156-B COMB BLOCK
- 46046 SCREW
- 55156-C DOWEL
- 33-282 SCREW
- 55296 DOWEL PIN
- 55157-A "T" BAR GUIDE COMB
- 55311 BRACKET
- 33-282 SCREW
- 55149 FRONT POST
- 55145-C DOWEL
- 49214 SCREW
- 55162 BASE
- 49538 SCREW
- 36551 SCREW
- 55153 KEY BAR STOP
- 55320 SCREW
- 55293 SCREW
- 55292 SCREW

- 55027 REAR PUNCH SELECTOR BAR
- 55144 SUPPORTING ROD
- FOR CONNECTING LINKS & NUTS
SEE PAGE 11.
- 41673 SCREW
- 47024 WASHER
- 70712 CONTACT SCREW
- 70711 LOCK NUT
(FOR 6 & 22 V. MACHINES)
- 92296 CONTACT SCREW
- 55263 LOCK NUT
(FOR 32, 50, 75, & 110-220 V. MACHINES)
- 55160 CONTACT BRACKET
- 55327 UPPER INSULATOR
- 55328 LOWER INSULATOR
- 55329 TUBING (MICA)
- 55324 SCREW
- 55085 CONTACT BAR (ASSEM.)
FOR INDIVIDUAL PARTS SEE
PAGE 11.
- 55323 SCREW
- 55268 SPACER
- FOR SELECTOR BAR NUMBERS
SEE PAGES 12 & 13.
- 55089 SPRING BAR SPRING
- 55142 REAR POST
- 55083-1 "T" BAR
- 55083-2 "T" BAR
- 55083-3 "T" BAR
- 55083-4 "T" BAR
- 55083-5 "T" BAR
- 55083-6 "T" BAR
- 55083-7 "T" BAR
- 55083-8 "T" BAR
- 55083-9 "T" BAR
- 55083-10 "T" BAR
- 55083-11 "T" BAR
- 55083-12 "T" BAR
- 55083-13 "T" BAR
- 55083-14 "T" BAR
- 55083-15 "T" BAR
- 55083-16 "T" BAR
- 55083-17 "T" BAR
- 55083-18 "T" BAR
- 55083-20 "T" BAR
- 55083-21 "T" BAR
- EACH "T" BAR CONSISTS
OF 1 "T" BAR, 2 LINKS & 2 RIVETS
- 55148 FRONT POST
- 55145-C DOWEL
- 55156-A "T" BAR GUIDE COMB
- 46093 SCREW
- 55156-C DOWEL
- 55151-A KEY GUARD-45 SLOTS
- 55151 KEY GUARD-43 SLOTS
- 55337 KEY BAR COMB (FRONT)
(43 SLOTS)
- 55338 KEY BAR COMB (FRONT)
(45 SLOTS)

(A) SEE PAGE 14 FOR NOTE OF EXPLANATION.

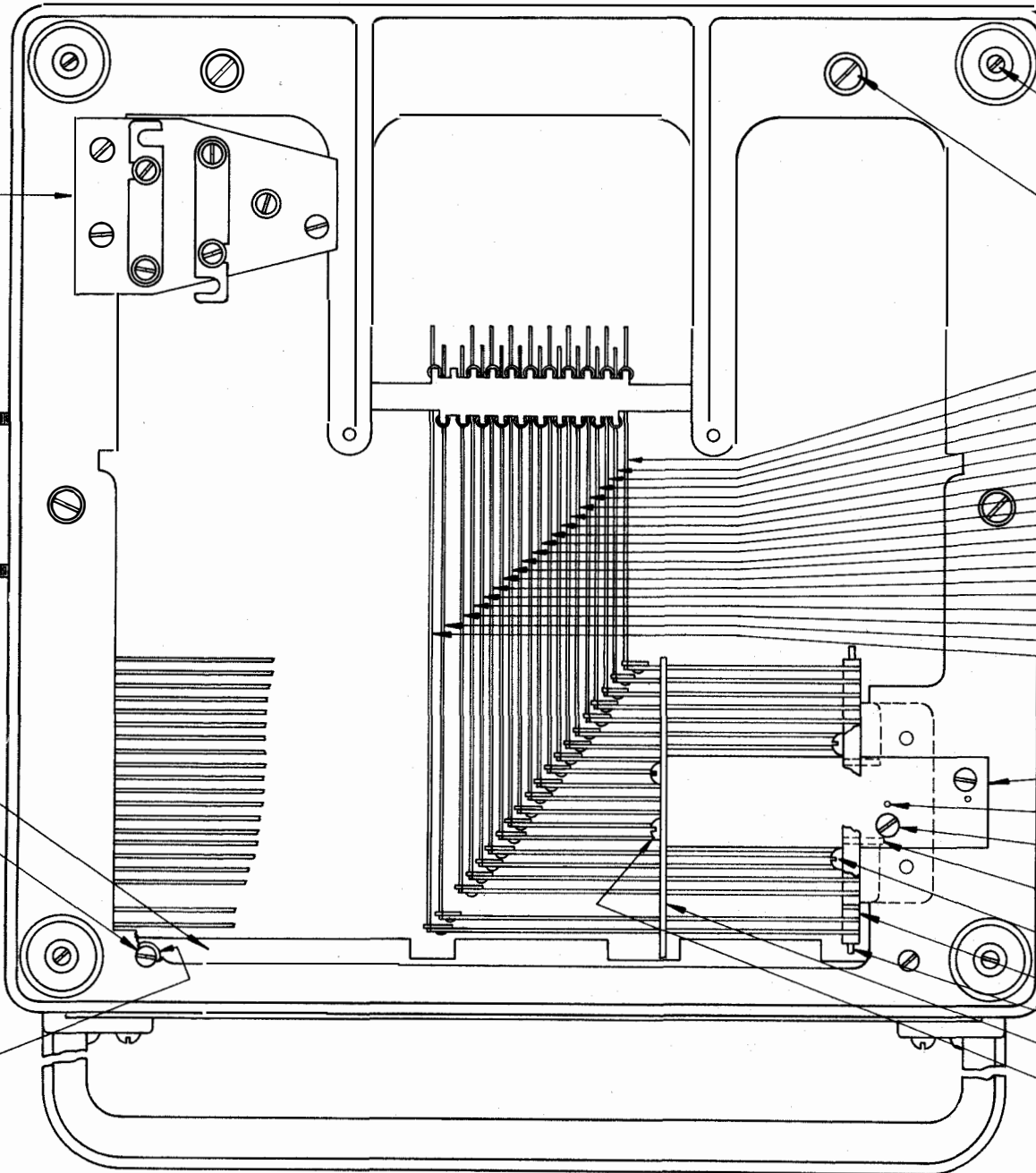
FOR DETAILS OF 2 & 5 POST
TERMINAL BLOCKS, SEE PAGE 10

33-282 SCREW

55152 KEY BAR STOP

55260 SCREW

71647 SHIM



87012 RUBBER FOOT
87013 RUBBER FOOT CUP
73235 SCREW
123-244 WASHER

55397 SCREW
2449 LOCK WASHER

55084-A1 CONNECTING BAR
55084-A2 CONNECTING BAR
55084-A3 CONNECTING BAR
55084-A4 CONNECTING BAR
55084-A5 CONNECTING BAR
55084-A6 CONNECTING BAR
55084-A7 CONNECTING BAR
55084-A8 CONNECTING BAR
55084-A9 CONNECTING BAR
55084-A10 CONNECTING BAR
55084-A11 CONNECTING BAR
55084-A12 CONNECTING BAR
55084-A13 CONNECTING BAR
55084-A14 CONNECTING BAR
55084-A15 CONNECTING BAR
55084-A16 CONNECTING BAR
55084-A17 CONNECTING BAR
55084-A18 CONNECTING BAR
55084-A20 CONNECTING BAR
55085 CONTACT BAR
(FOR DETAILS SEE PAGE 11)

55319 T-BAR GUIDE BLOCK

55014-6 DOWEL

55320 SCREW

55014-6 DOWEL

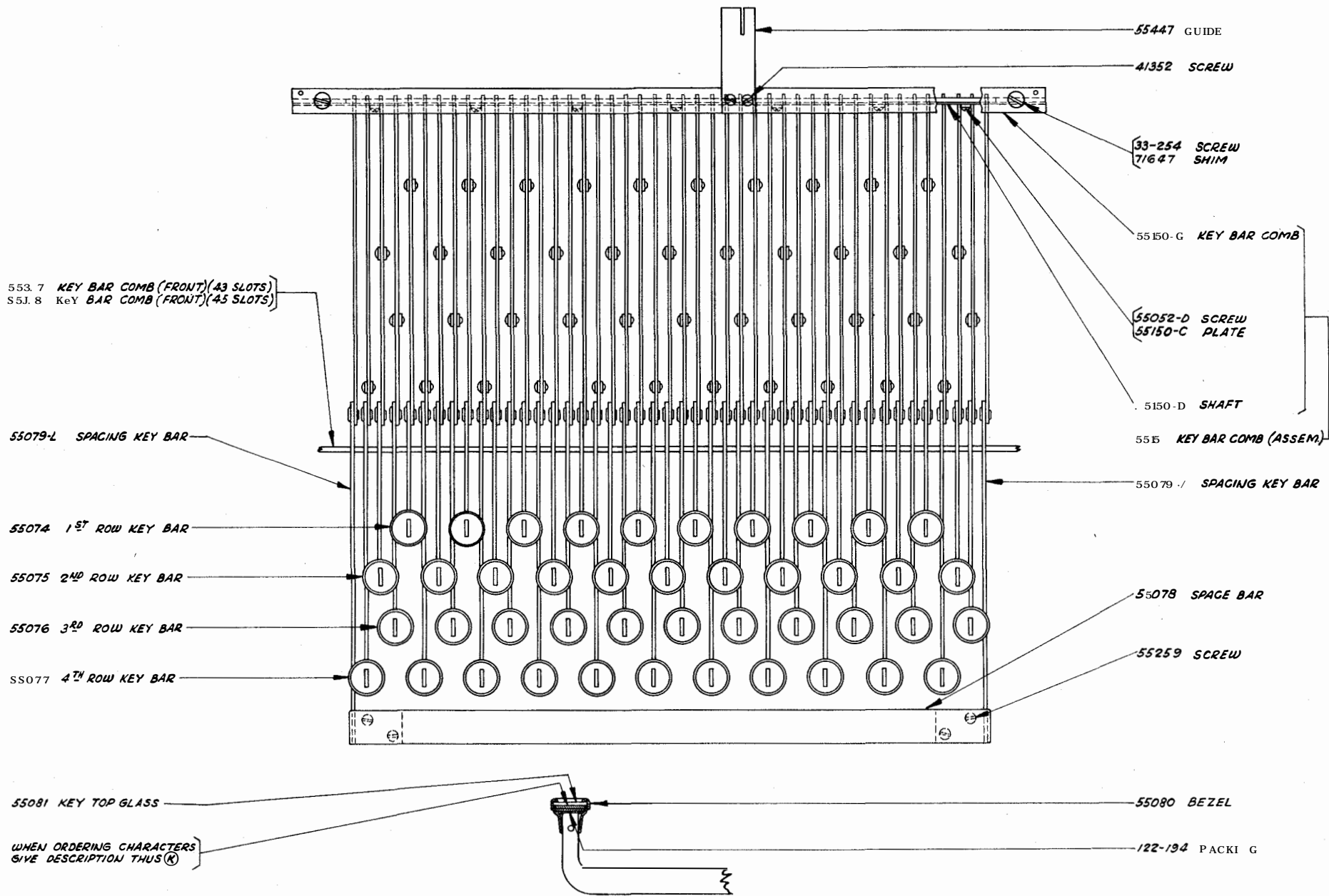
8333 SCREW

55310 T-BAR SUPPORTING
COMB

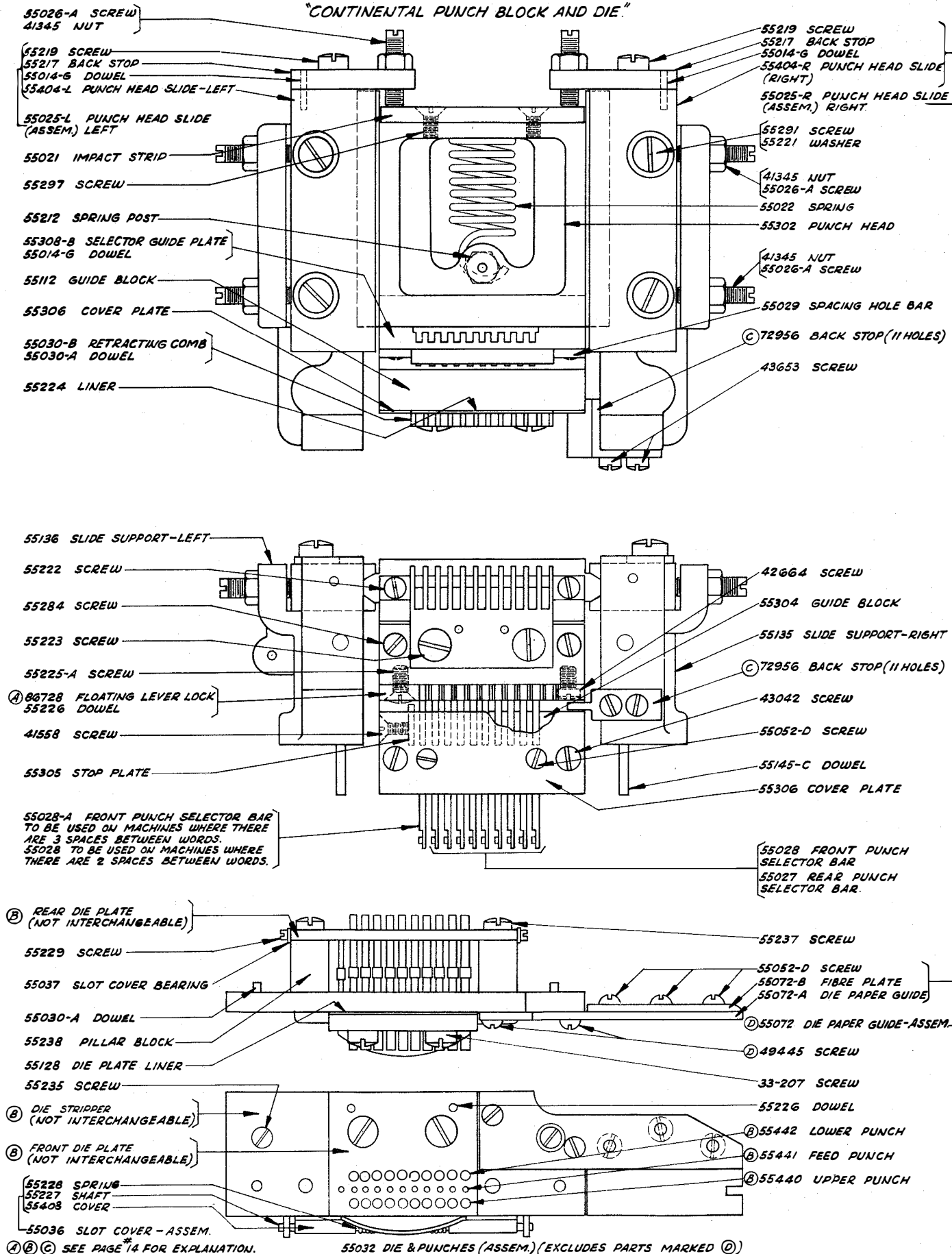
55312 SHAFT

55155 T-BAR GUIDE COMB

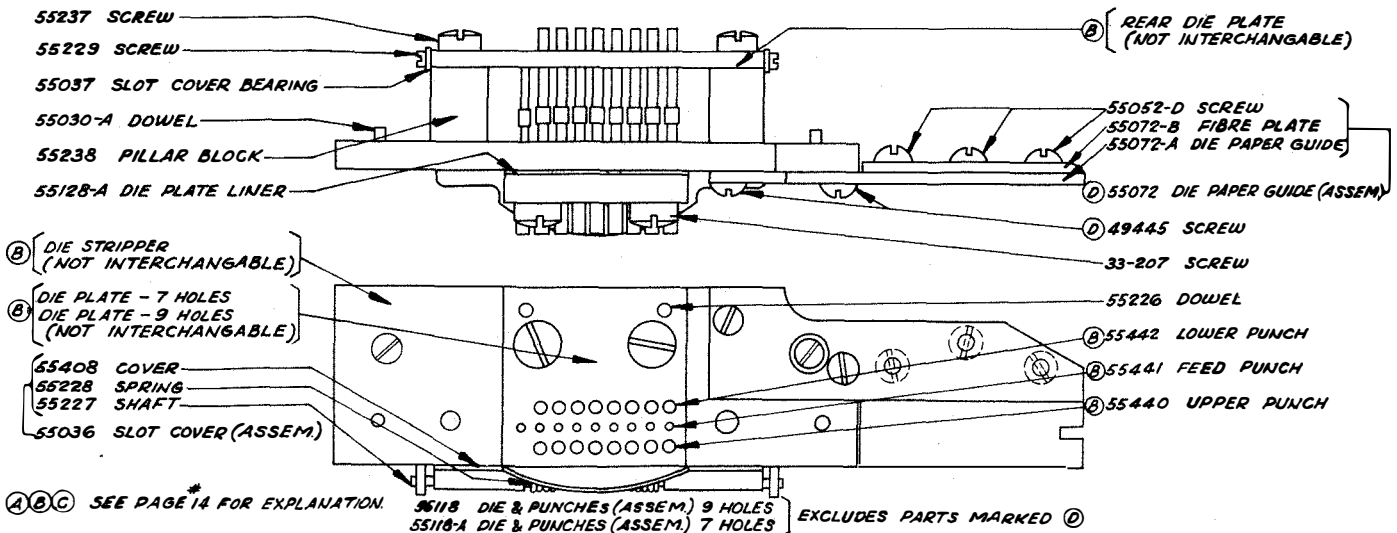
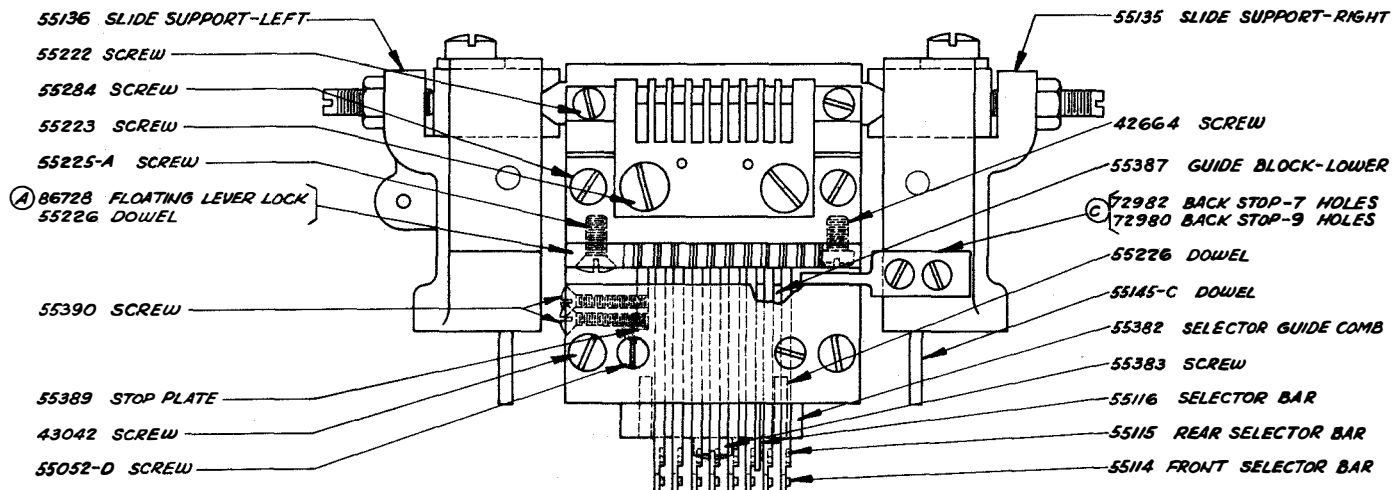
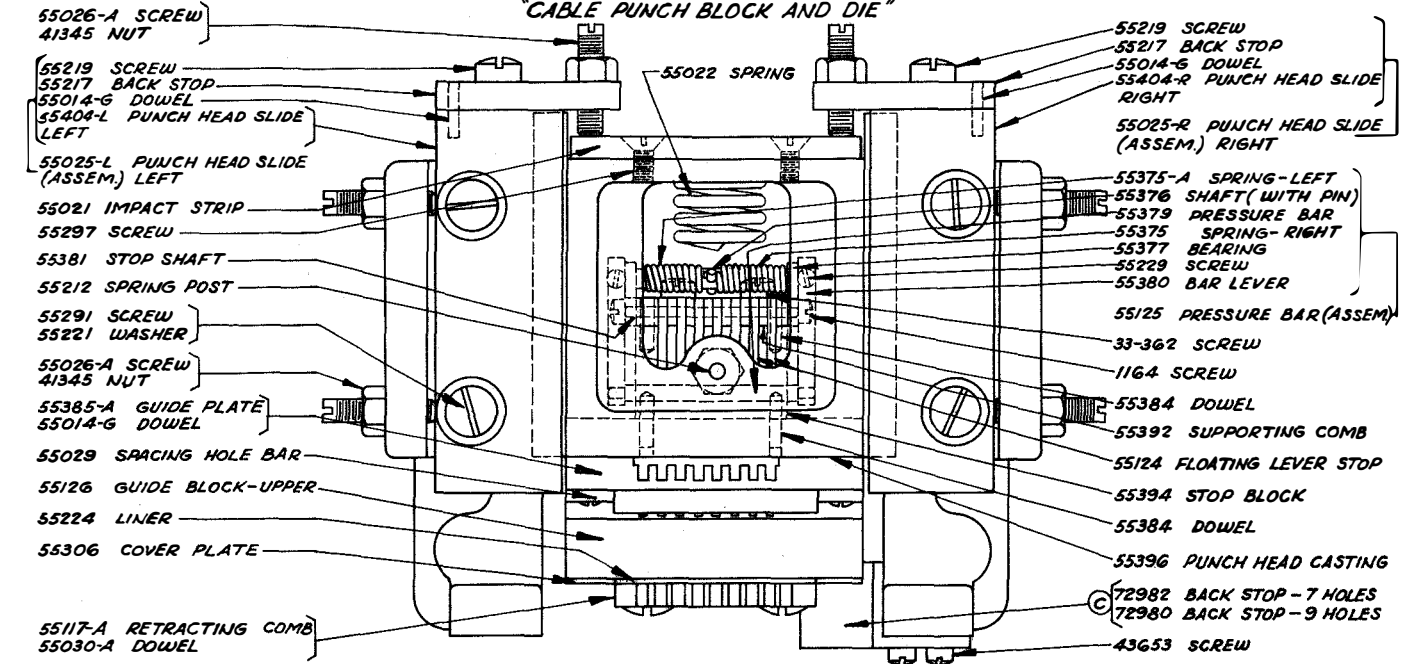
55318 SCREW

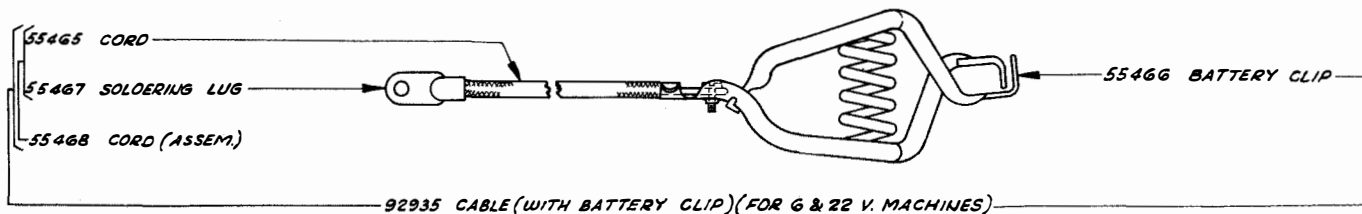
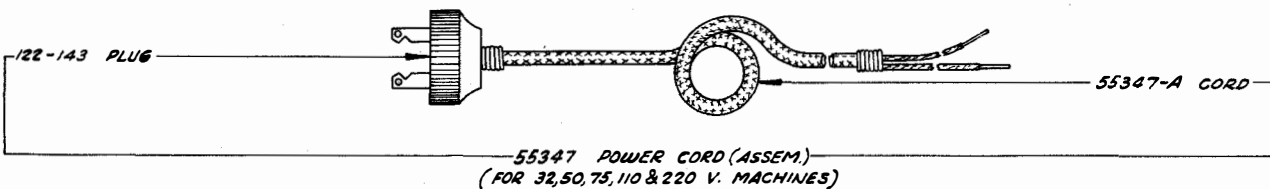
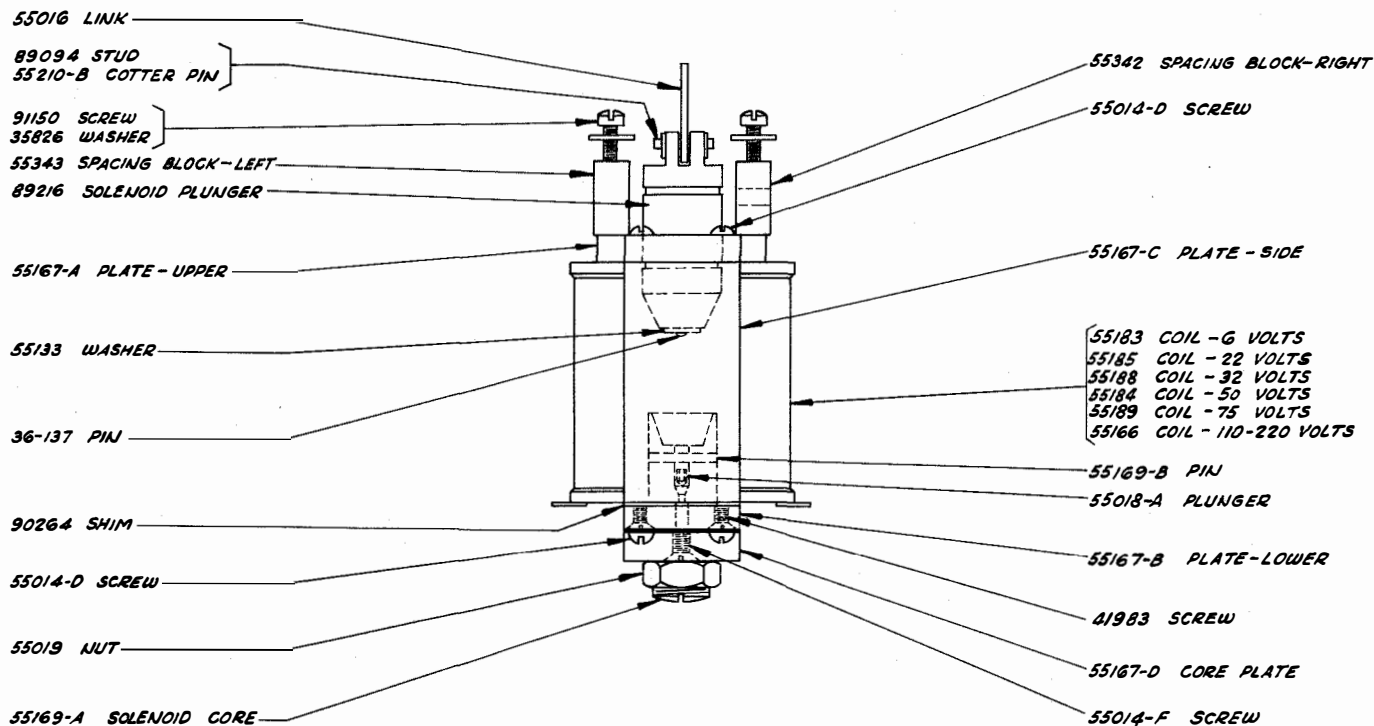
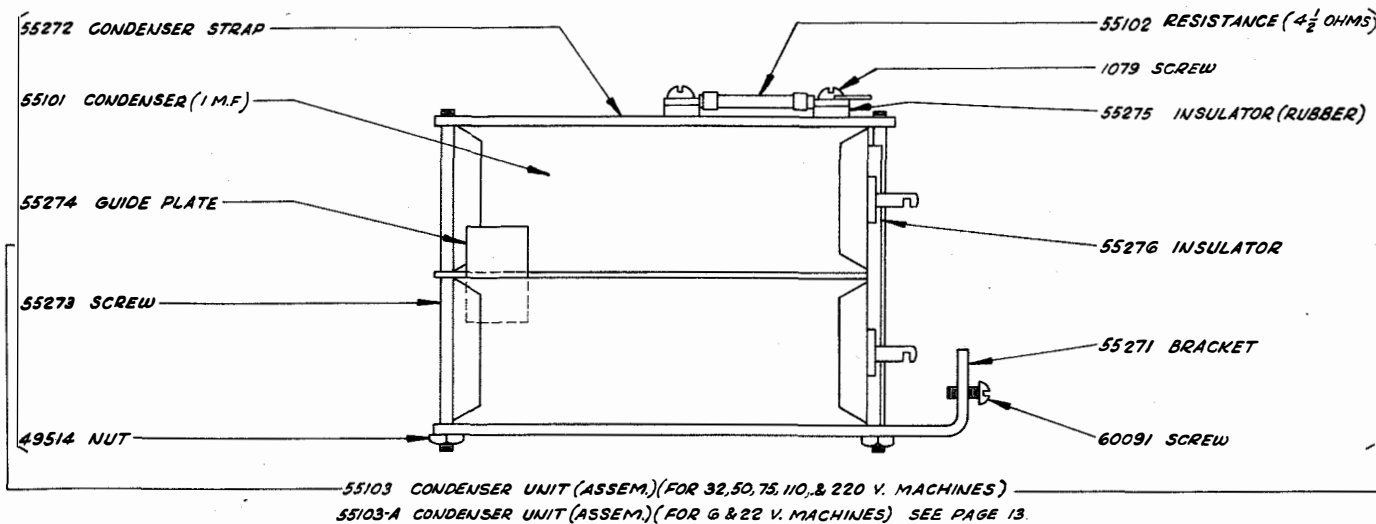


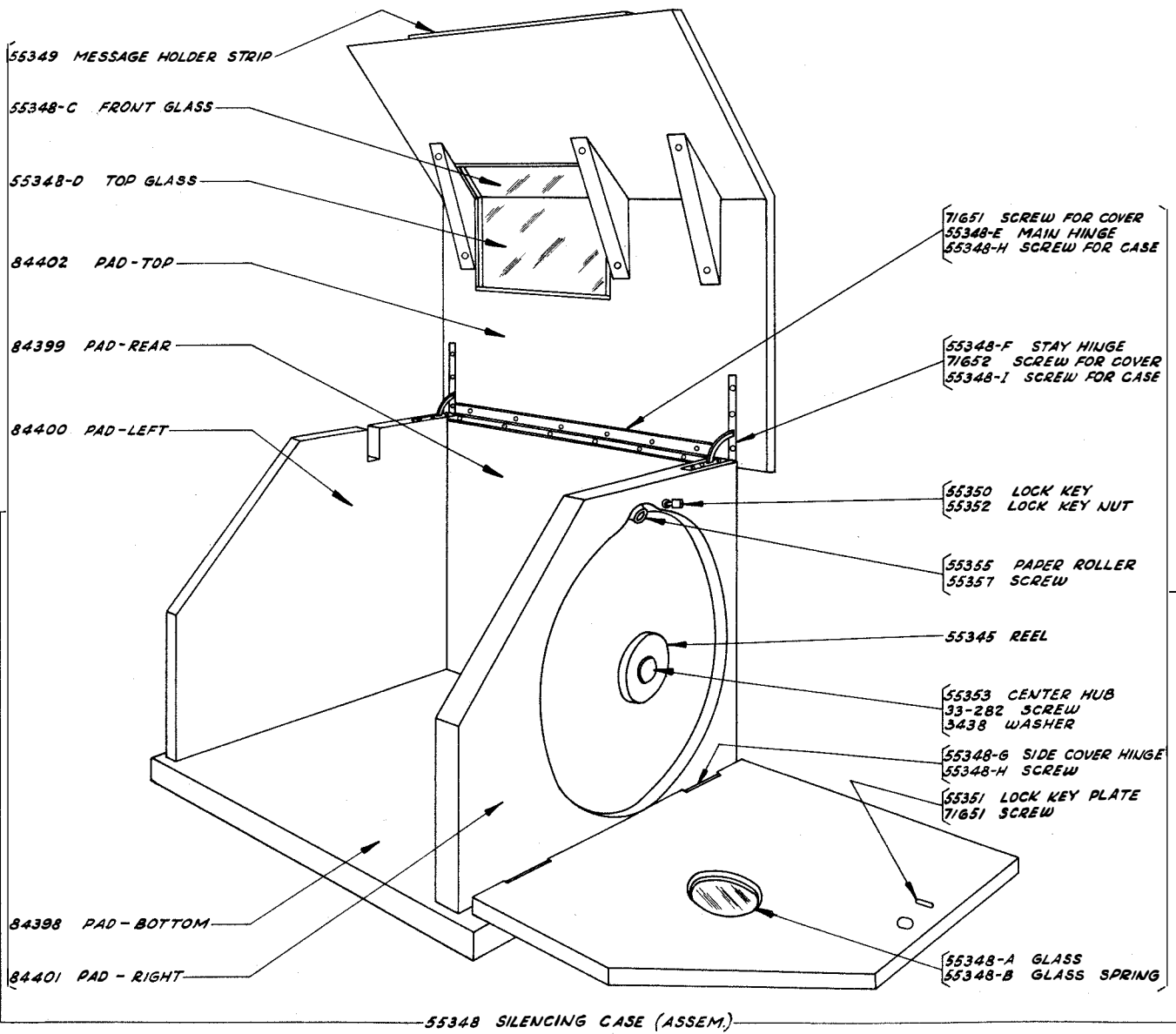
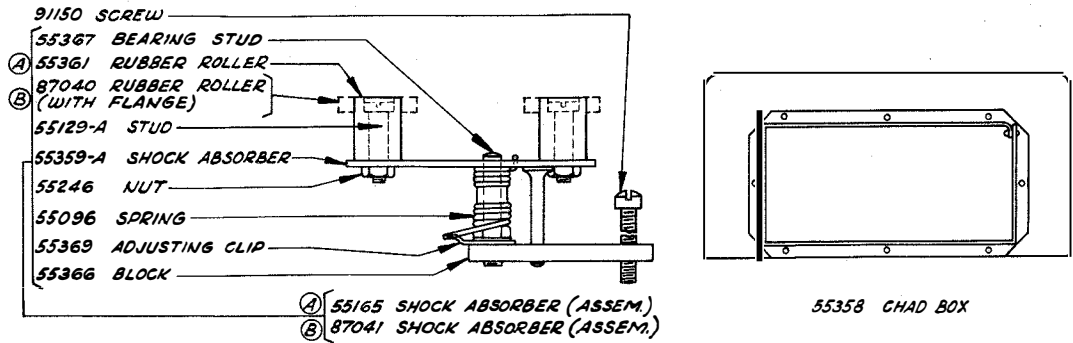
"CONTINENTAL PUNCH BLOCK AND DIE."



"CABLE PUNCH BLOCK AND DIE"

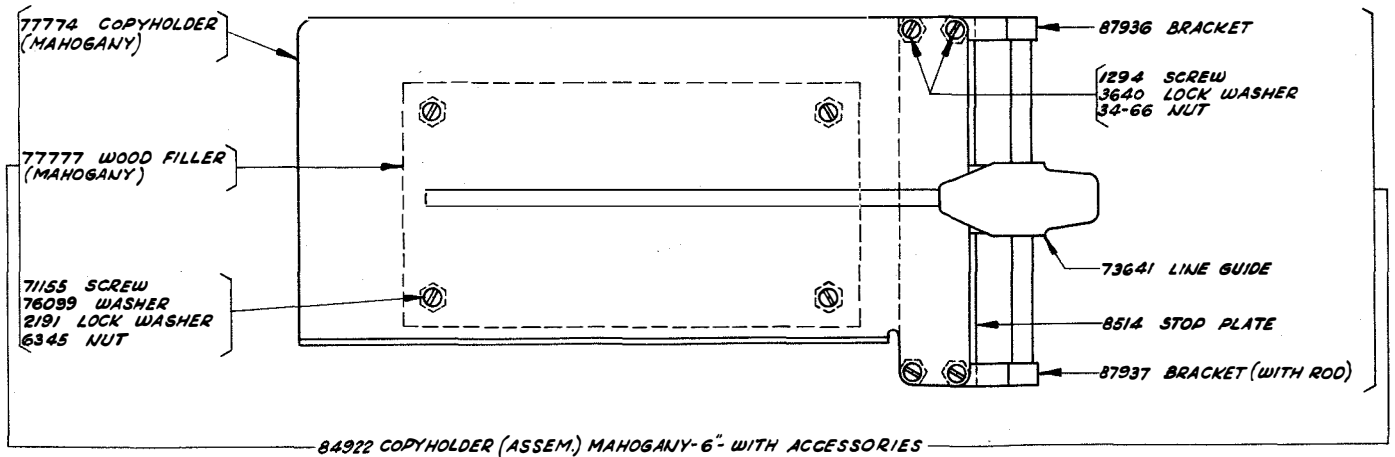
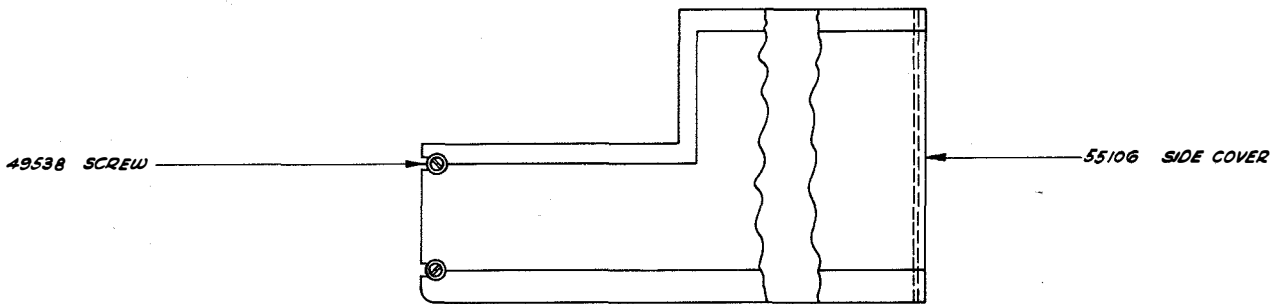
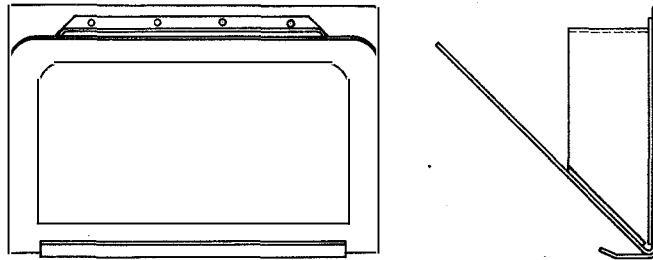
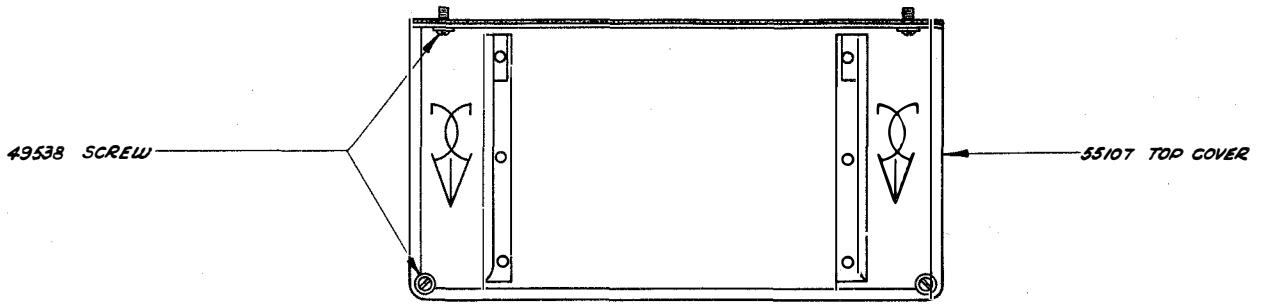


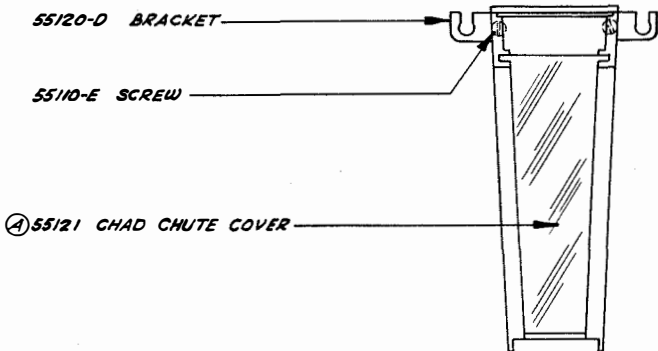
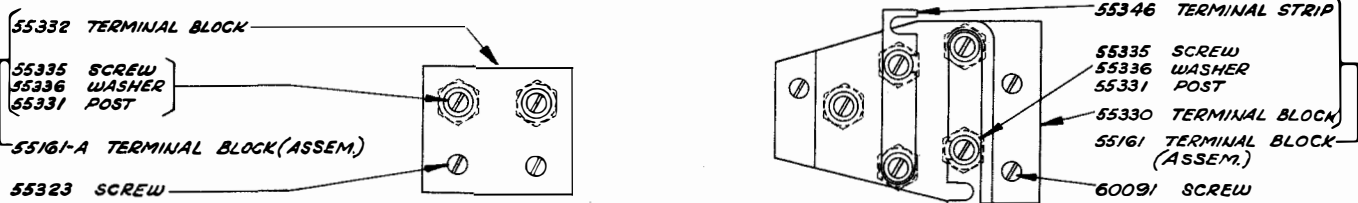
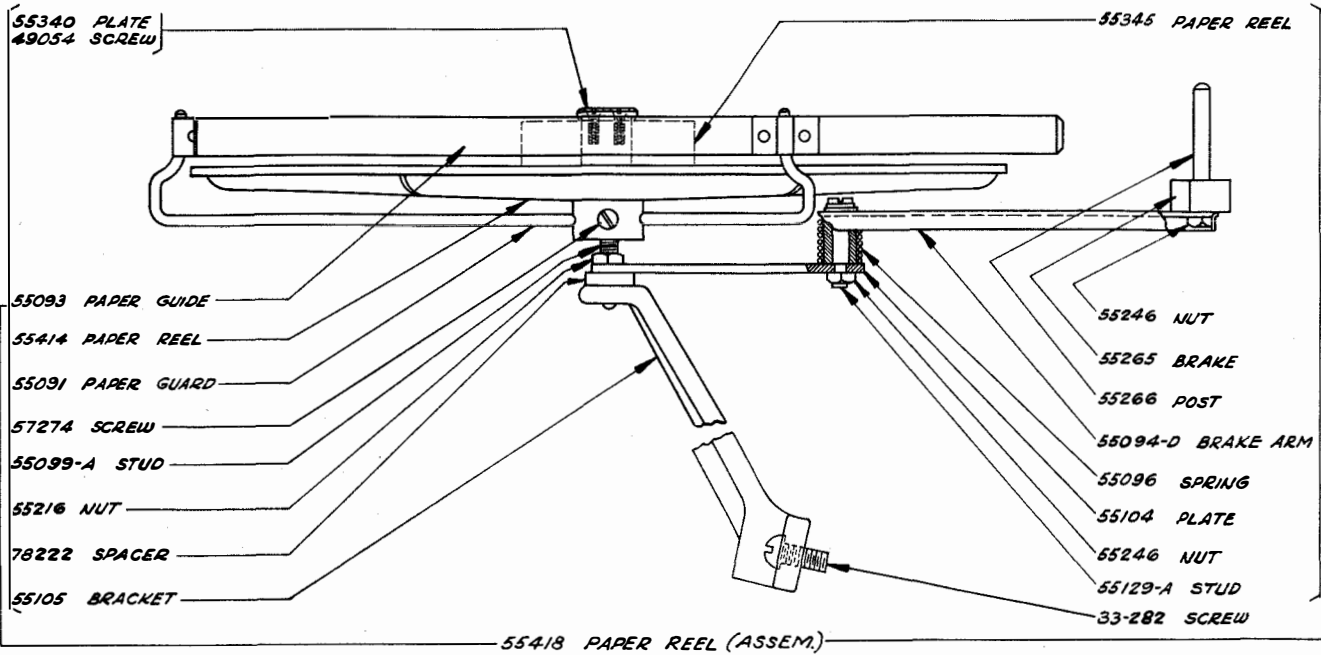




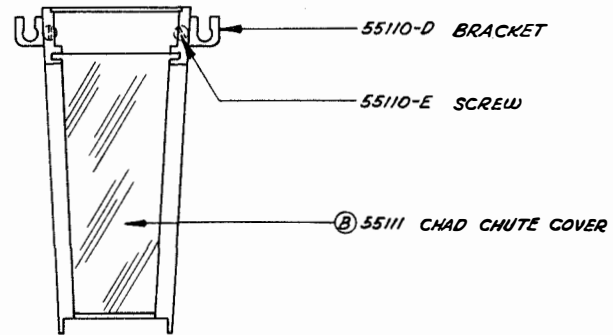
92902 SILENCING CASE (ASSEM.) INCLUDES 55348 SILENCING CASE (ASSEM.) AND 84922 COPYHOLDER (ASSEM.)

55163 CLOTH COVER (FOR PERFORATOR)
55163-A CLOTH COVER (FOR SILENCING CASE)

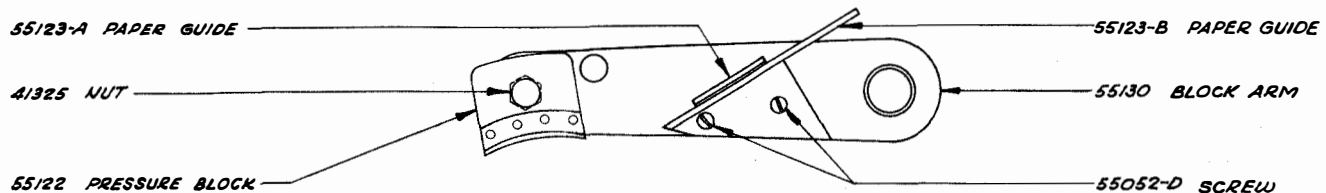




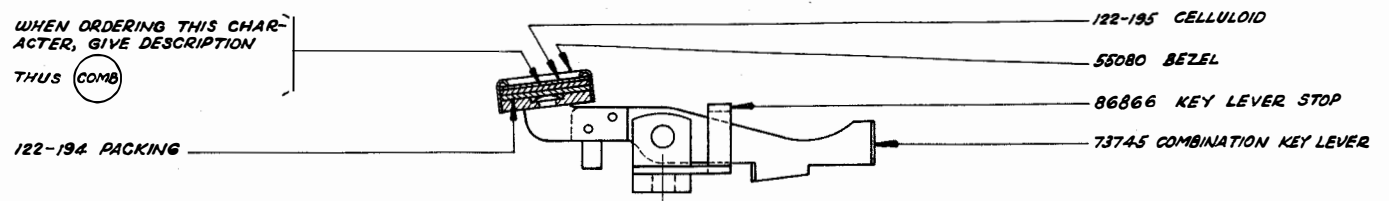
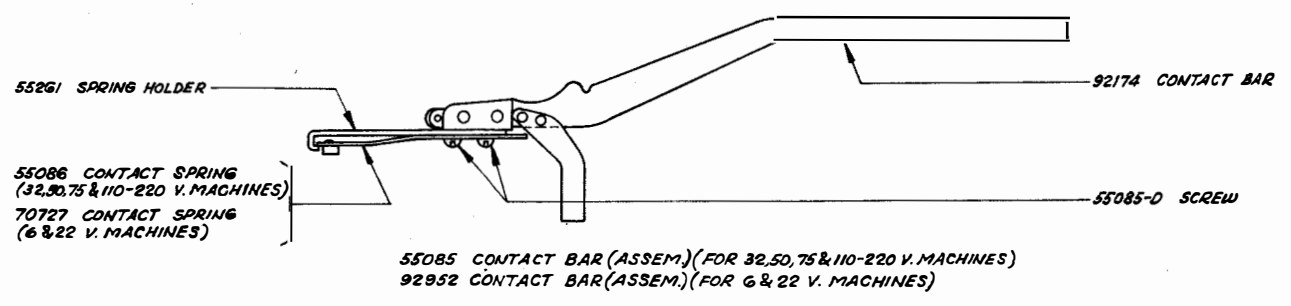
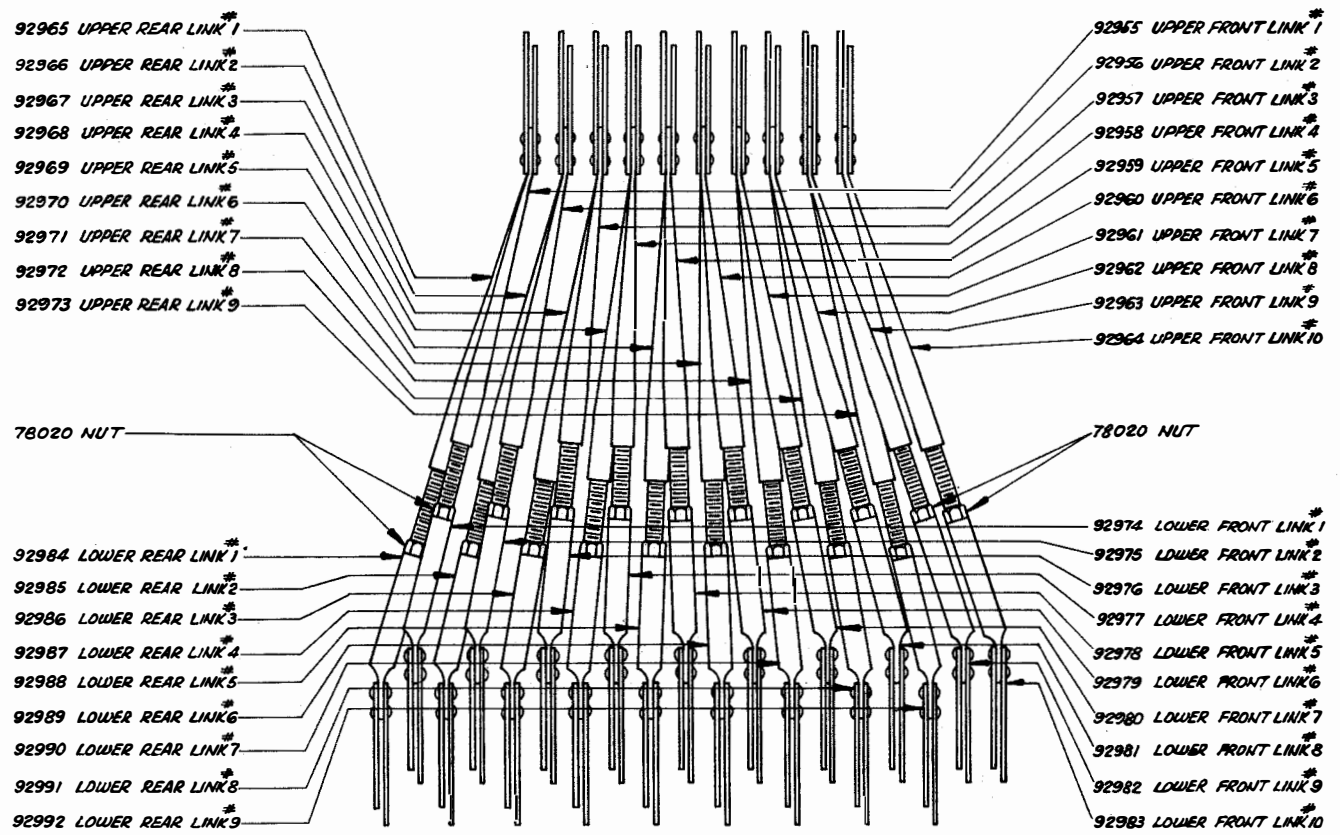
55120 CHAD CHUTE (ASSEM.) (CABLE)
(EXCLUDES PART MARKED Ⓐ)



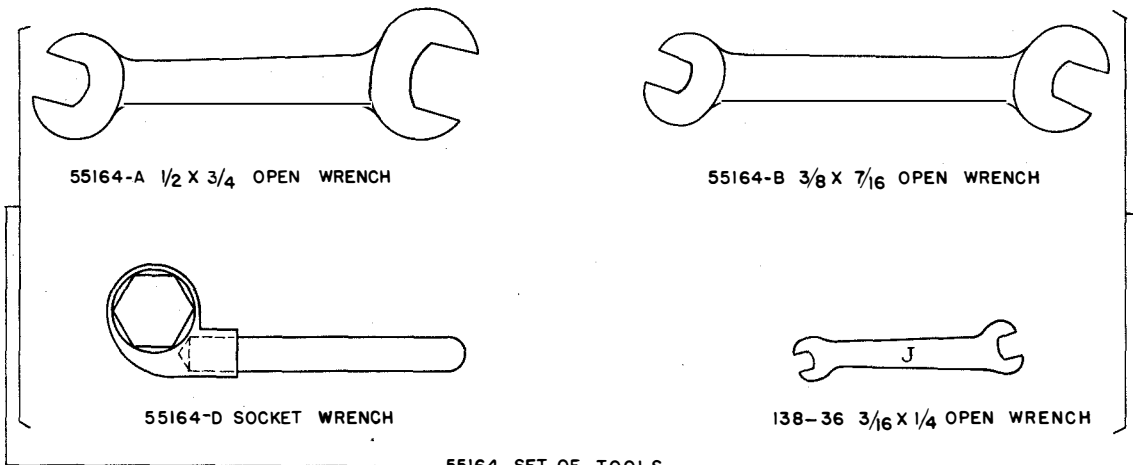
55110 CHAD CHUTE (ASSEM.) (CONTINENTAL)
(EXCLUDES PART MARKED Ⓑ)



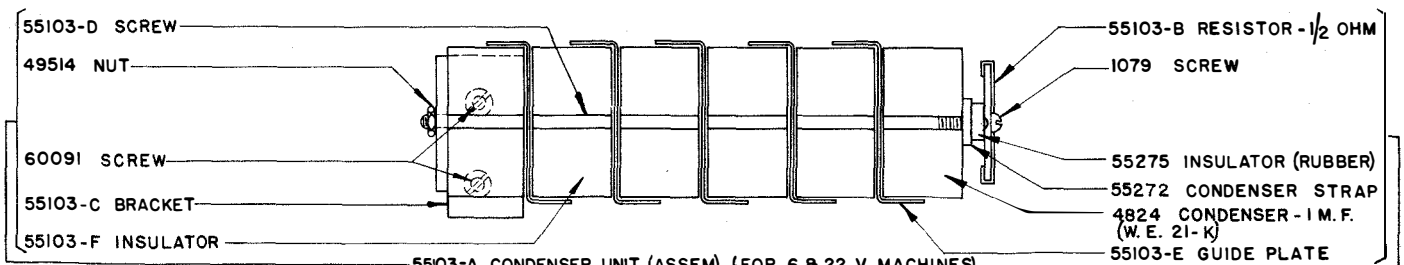
CABLE PRESSURE BLOCK
(FOR CONTINENTAL PRESSURE BLOCK SEE PAGE 1)



CHARACTERS	CODE COMBINATION	SELECTOR BAR NUMBER FOR CONTINENTAL MACHINES				SELECTOR BAR NUMBER FOR CABLE MACHINES			
		USED WITH KEY LEVER IN ROW NUMBER				USED WITH KEY LEVER IN ROW NUMBER			
		# 1	# 2	# 3	# 4	# 1	# 2	# 3	# 4
/	••••			92161			92056	92057	
\\	••••								
///	••••								
	••••		92025			92054		92055	
~	••••			92031			92053		
~	••••			92040				89926	
✱	••••							92098	
✱	••••							92052	
•	••••						92051		
•	••••			92096					
—	••••	92022		92023	92024	92060		92061	
—	••••	92103							
+	••••			92089	92090				
()	••••				92048			92083	
∅	••••				92049				
)	••••	92088							
•	••••				92009				
•	••••				92106				
*	••••			92027	92028				
REPEAT	••••								
COMB	••••		92033	92034	92035	92074	92075	92076	
SPACE	••••			92006	92007		92066	92067	
BLANK	••••				55742			55823	
RUB	••••			92043	92044	92173	92064	92065	
RUB	••••			92100	92101				
RUB-OUT	••••							92162	
RUB-OUT	••••		92045						
RUB-OUT	••••				92095				
RUB-OUT	••••				92104				
							92062	92063	



55164 SET OF TOOLS



55103 CONDENSER UNIT (ASSEM) (FOR 32,50,75 & 110-220 V. MACHINES) SEE PAGE 7

NOTES OF EXPLANATION

Pages 1, 5, and 6

- (A) The 86727 floating lever (shown on page 1) and the 86728 floating lever lock (shown on pages 5 and 6) replace the old style 55044 floating lever and 55031 floating lever lock.

The new style 86727 and 86728 parts are stamped with an "X" for identification.

NOTE: A new style part cannot be used with an old style part. The new style parts (86727 and 86728) must be used together.

Page 1

- (B) In order to eliminate loosening of the stud in the end of the old style 55001 main lever (with stud) that engages the bell crank, the main lever and stud have been redesigned.

The new 89517 stud is longer and is provided with a hexagonal shoulder for tightening with a wrench. The new 89516 main lever (without stud) is made shorter than the old one in order to accommodate the longer 89517 stud. A 2449 lock washer has been added between the lever and the stud.

The new style main lever (Assem.) replaces the old style assembly and retains the same number 55001.

NOTE: The new style 89517 stud and 89516 main lever are not interchangeable with the old style and must always be used together.

Page 2

- (A) The 55089 space bar spring is used on "E," "T," "BLANK," and "SPACE" key bars. The 55088 key bar spring is used on all other key bars.

Pages 5 and 6

- (B) The 55440, 55441, and 55442 punches are furnished with the 55032, 55118, and 55118-A die and punches (Assem.) but will not be furnished for replacement purposes unless specifically requested. When punches are ordered for replacement purposes, 55033 upper punch, 55034 lower punch, and 55035 feed punch will be furnished. These punches are .00025" over-size.

Die plates and die strippers will not be supplied for replacement. If these parts become worn, it will be advisable to send the entire die and punches (Assem.) to the Teletype Corporation for resharpening and re-fitting.

- (C) The following post backstops may be ordered for use on the old style 55135 slide support - right, which has a tapped hole for the post type of backstop:

55042 Backstop - Continental
55119 Backstop - Cable

NUMERICAL INDEX

33-207	Screw (10-32 x 1/2), 5,6	55033	Upper Punch, 14	55084-A14	Connecting Bar, 3
33-254	Screw (10-32 x 5/8), 4	55034	Lower Punch, 14	55084-B15	" " " 3
33-282	Screw (10-32 x 1/2), 2,3, 8,10	55035	Feed Punch, 14	55084-A16	" " " 3
33-336	Screw (6-32 x 5/8), 1	55036	Slot Cover (Assem.), 5,6	55084-B17	" " " 3
33-362	Screw (6-32 x 7/8), 6	55037	Slot Cover Bearing, 5,6	55084-A18	" " " 3
34-66	Nut, 9	55039	Feed Lever (Assem.), 1	55084-A20	" " " 3
36-137	Pin, 7	55039-A	Bearing, 1	55085	Contact Bar (Assem.), 2,3,11
122-143	Plug, 7	55039-B	Steel Cap, 1	55085-D	Screw (4-36 x 5/16), 11
122-194	Packing, 4,11	55039-D	Pin, 1	55086	Contact Spring, 11
122-195	Celluloid, 11	55040-A	Screw (1/4-32 Shoulder), 1	55088	Key Bar Spring, 2,14
123-244	Washer, 3	55041-A	Impact Block (Long), 1	55089	Space Bar Spring, 2,14
138-36	3/16 x 1/4 Open Wrench, 13	55041-B	Impact Block (Short), 1	55090	Spring, 2
1079	Screw (6-32 x 5/16), 1,7, 13	55042	Backstop - Continental, 14	55091	Paper Guard, 10
1164	Screw (2-56 x 3/16), 6	55043	Spring, 1	55093	Paper Guide, 10
1294	Screw (4-36 x 1/2), 9	55044	Floating Lever, 14	55094-D	Brake Arm, 10
1302	Screw (6-32 x 3/4), 1	55046	Floating Lever Link, 1	55096	Spring, 8,10
2191	Lock Washer, 9	55047	Intermediate Lever, 1	55099-A	Stud, 10
2449	Lock Washer, 1,2,3,14	55048	Spring, 1	55101	Condenser, 7
3438	Washer, 8	55049-A	Screw (1/4-32 Shoulder), 1	55102	Resistance (4 1/2 ohms), 7
3640	Lock Washer, 1,9	55050	Feed Pawl, 1	55103	Condenser Unit (Assem.), 7,13
3646	Lock Washer, 1	55051	Feed Pawl Link, 1	55103-A	Condenser Unit (Assem.), 7,13
4824	Condenser - 1 M.F. (W.E.-21K), 13	55052	Feed Pawl Lever, 1	55103-B	Resistor - 1/2 Ohm, 13
6345	Nut (6-32 Hex.), 1,9	55052-D	Screw (2-56 x 1/8), 1,2,4, 5,6,10	55103-C	Bracket, 13
7678	Screw (4-40 Special), 1	55053	Feed Pawl Spring, 1	55103-D	Contact Spring, 11
7897	Cotter Pin, 1	55055	Link Pin, 1	55103-E	Key (8-32 Special), 13
8333	Screw (10-32 x 3/8), 3	55057	Feed Wheel & Ratchet, 1	55103-F	Guide Plate, 13
8514	Stop Plate, 9	55058	Screw (10-32 x 17/64), 1	55104	Insulator, 13
35551	Screw (10-32 x 3/8), 2	55059	Bracket, 1	55105	Plate, 10
35826	Washer, 1,7	55060-A	Screw (8-40 x 3/4), 1	55106	Bracket, 10
41325	Nut (5-40 Hex.), 1,10	55062	Feed Wheel Locking Arm (Assem.), 1	55107	Side Cover, 9
41345	Nut (8-40 Hex.), 1,5,6	55062-G	Locking Arm, 1	55108	Top Cover, 9
41352	Screw (5-40 x 1/4), 4	55063	Locking Arm Spring, 1	55108	Message Rack, 9
41354	Screw (5-40 x 1/4), 1	55065	Stop Screw, 1	55110	Chad Chute (Assem.) - Continental, 10
41558	Screw (2-56 x 1/4), 5	55066	Pressure Block, 1	55110-D	Bracket, 10
41667	Screw (5-40 x 3/16), 2	55067	Pressure Block Arm, 1	55110-E	Screw (2-56 x 1/8), 10
41673	Screw (4-36 x 1/4), 2	55068	Screw (10-32 x 1/4), 1	55111	Chad Chute Cover, 10
41983	Screw (8-32 x 5/8), 7	55070	Spring, 1	55112	Guide Block, 5
42175	Nut (1/4-32 Hex.), 1	55071-A	Front Guide, 1	55114	Front Selector Bar, 6
42664	Screw (5-40 x 1/4), 5,6	55071-B	Rear Guide, 1	55115	Rear Selector Bar, 6
43042	Screw (5-40 x 3/4), 1,5,6	55072	Die Paper Guide (Assem.), 5,6	55116	Selector Bar, 6
43653	Screw (5-40 x 5/16), 5,6	55072-A	Die Paper Guide, 5,6	55117-A	Retracting Comb, 6
43838	Cotter Pin, 1	55072-B	Fibre Plate, 6	55118	Die & Punches (Assem.) - 9 Holes, 6,14
46046	Screw (8-32 x 5/16), 2	55073	Combination Key (Assem.), 1	55118-A	Die & Punches (Assem.) - 7 Holes, 6,14
46093	Screw (8-32 x 1/4), 2	55074	1st Row Key Bar, 4	55119	Backstop - Cable, 14
46183	Washer, 1	55075	2nd Row Key Bar, 4	55120	Chad Chute (Assem.) - Cable, 10
47024	Washer, 2	55076	3rd Row Key Bar, 4	55120-D	Bracket, 10
49054	Screw (2-56 x 3/16), 10	55077	4th Row Key Bar, 4	55121	Chad Chute Cover, 10
49214	Screw (14-24 x 5/8), 2	55078	Space Bar, 4	55122	Pressure Block, 10
49445	Screw (3-48 x 3/16), 5,6	55079-L	Spacing Key Bar, 4	55123-A	Paper Guide, 10
49514	Nut (8-32 Hex.), 7,13	55079-R	Spacing Key Bar, 4	55123-B	Paper Guide, 10
49538	Screw (6-32 x 9/32), 2,9	55080	Bezel, 4,11	55124	Floating Lever Stop, 6
49612	Screw (8-32 x 9/16), 1	55081	Key Top Glass, 4	55125	Pressure Bar (Assem.), 6
55001	Main Lever (Assem.), 1,14	55083-1	"T" Bar, 2	55126	Guide Block - Upper, 6
55003	Bell Crank, 1	55083-2	" " " 2	55128	Die Plate Liner, 5
55004	Spring, 1	55083-3	" " " 2	55128-A	Die Plate Liner, 6
55005	Spring Adjusting Screw, 1	55083-4	" " " 2	55129-A	Stud, 8,10
55006-A	Adjusting Screw (1/4-32 x 29/32), 1	55083-5	" " " 2	55130	Block Arm, 10
55007-A	Advancing Screw, 1	55083-6	" " " 2	55133	Washer, 7
55008-A	Screw (1/4-32 x 13/16), 1	55083-7	" " " 2	55135	Slide Support - Right, 5,6,14
55009-A	Stop Screw, 1	55083-8	" " " 2	55136	Slide Support - Left, 5,6
55010	Screw (10 32 Shoulder), 1	55083-9	" " " 2	55137	Stop Screw Block, 1
55011	Bearing Bracket, 1	55083-10	" " " 2	55138	Bell Crank Stop, 1
55014-D	Screw (8-32 x 9/16), 7	55083-11	" " " 2	55140	Paper Chute Block, 1
55014-F	Screw (10-32 x 1/2), 7	55083-12	" " " 2	55141	Top Base, 1
55014-G	Dowel, 3,5,6	55083-13	" " " 2	55142	Rear Post, 2
55016	Link, 7	55083-14	" " " 2	55143	Rear Post, 2
55018-A	Plunger, 7	55083-15	" " " 2	55144	Supporting Rod, 2
55019	Nut (5/8-24 Hex.), 7	55083-16	" " " 2	55145-B	Supporting Comb, 2
55021	Impact Strip, 5,6	55083-17	" " " 2	55145-C	Dowel, 2,5,6
55022	Spring, 5,6	55083-18	" " " 2	55145-F	Comb Stripper, 2
55023	Adjusting Lever (Assem.), 1	55083-20	" " " 2	55148	Front Post, 2
55025-L	Punch Head Slide (Assem.) - Left, 5,6	55083-21	" " " 2	55149	Front Post, 2
55025-R	Punch Head Slide (Assem.) - Right, 5,6	55084-B1	Connecting Bar, 3	55150	Key Bar Comb. (Assem.), 4
55026-A	Screw (8 40 x 9/16), 5,6	55084-A2	" " " 3	55150-C	Plate, 4
55027	Rear Punch Selector Bar, 2,5	55084-B3	" " " 3	55150-D	Shaft, 4
55028	Front Punch Selector Bar, 5	55084-B4	" " " 3	55150-G	Key Bar Comb, 4
55028-A	Front Punch Selector Bar, 5	55084-B5	" " " 3	55151	Key Guard - 43 Slots, 2
55029	Spacing Hole Bar, 5,6	55084-A6	" " " 3	55151-A	Key Guard - 45 Slots, 2
55030-A	Dowel, 5,6	55084-B7	" " " 3	55152	Key Bar Stop, 3
55030-B	Retracting Comb, 5	55084-A8	" " " 3		
55031	Floating Lever Lock, 14	55084-B9	" " " 3		
55032	Die & Punches (Assem.), 5,14	55084-A10	" " " 3		
		55084-B11	" " " 3		
		55084-A12	" " " 3		
		55084-B13	" " " 3		

55153	Key Bar Stop, 2	55279	Adjusting Block, 1	55400	Screw (3/8-27 Shoulder), 1
55155	"T" Bar Guide Comb, 3	55282	Pivot Block, 1	55402	Adjusting Lever, 1
55156-A	"T" Bar Guide Comb, 2	55283	Screw (8-40 Shoulder), 1	55403	Post, 1
55156-B	Comb Block, 2	55284	Screw (5-40 x 7/8), 5,6	55404-L	Punch Head Slide - Left, 5,6
55156-C	Dowel, 2	55285	Screw (8-32 x 5/8), 1	55404-R	Punch Head Slide - Right, 5,6
55157-A	"T" Bar Guide Comb, 2	55286	Screw (8-32 x 7/8), 1,2	55406	Tape Feed Wheel Stud, 1
55158	Spring Bar, 2	55289	Screw (14-24 x 3/4), 1	55408	Cover, 5,6
55159	Spring Bar, 2	55290	Washer (Brass), 1	55412	Feed Lever, 1
55160	Bracket, 2	55291	Screw (10-32 x 3/4), 1,5,6	55414	Paper Reel, 10
55161	Terminal Block (Assem.) (5 Terminal), 10	55292	Screw (10-32 x 7/16), 2	55418	Paper Reel (Assem.), 10
55161-A	Terminal Block (Assem.) (2 Terminal), 10	55293	Screw (10-32 x 11/16), 2	55440	Upper Punch, 5,6,14
55162	Base, 2	55296	Dowel Pin, 2	55441	Feed Punch, 5,6,14
55163	Cloth Cover (for Perforator), 8	55297	Screw (6-32 x 5/16), 5,6	55442	Lower Punch, 5,6,14
55163-A	Perforator Cloth Cover (Silencer), 8	55298	Spring Post, 1	55447	Guide, 4
55164	Set of Tools, 13	55302	Punch Head, 5	55465	Cord, 7
55164-A	1/2 x 3/4 Open Wrench, 13	55304	Guide Block, 5	55466	Battery Clip, 7
55164-B	3/8 x 7/16 Open Wrench, 13	55305	Stop Plate, 5	55467	Soldering Lug, 7
55164-D	Socket Wrench, 13	55306	Cover Plate, 5,6	55468	Cord (Assem.), 7
55165	Shock Absorber (Assem.), 8,14	55308-B	Selector Guide Plate, 5	55700	Selector Bar (A) (Continental - Row #3), 12
55166	Coil 110-220 Volts, 7	55309	Screw (6-32 x 1/2), 1	55701	Selector Bar (B) (Continental-Row #4), 12
55167-A	Plate - Upper, 7	55310	"T" Bar Supporting Comb, 3	55702	Selector Bar (C) (Continental - Row #4), 12
55167-B	Plate - Lower, 7	55311	Bracket, 2	55703	Selector Bar (D) (Continental - Row #3), 12
55167-C	Plate - Side, 7	55312	Shaft, 3	55704	Selector Bar (E) (Continental - Row #2), 12
55167-D	Core Plate, 7	55318	Screw (6-32 x 1/4), 3	55705	Selector Bar (F) (Continental - Row #3), 12
55169-A	Solenoid Core, 7	55319	"T" Bar Guide Block, 3	55706	Selector Bar (G) (Continental - Row #3), 12
55169-B	Pin, 7	55320	Screw (8-32 x 7/16), 2,3	55707	Selector Bar (H) (Continental - Row #3), 12
55183	Coil - 6 Volts, 7	55323	Screw (8-32 x 1/2), 2,10	55708	Selector Bar (I) (Continental - Row #2), 12
55184	Coil - 50 Volts, 7	55324	Screw (8-32 x 11/16), 2	55709	Selector Bar (J) (Continental - Row #3), 12
55185	Coil - 22 Volts, 7	55327	Upper Insulator, 2	55710	Selector Bar (K) (Continental - Row #3), 12
55188	Coil - 32 Volts, 7	55328	Lower Insulator, 2	55711	Selector Bar (L) (Continental - Row #3), 12
55189	Coil - 75 Volts, 7	55329	Tubing (MICA), 2	55712	Selector Bar (M) (Continental - Row #4), 12
55202	Nut (3/8-27 Hex.), 1	55330	Terminal Block, 10	55713	Selector Bar (N) (Continental - Row #4), 12
55205	Oil Tube, 1	55331	Post, 10	55714	Selector Bar (O) (Continental - Row #2), 12
55210	Plunger Link Stud, 1	55332	Terminal Block, 10	55715	Selector Bar (P) (Continental - Row #2), 12
55210-A	Washer, 1	55335	Screw (8-32 x 5/16), 10	55716	Selector Bar (Q) (Continental - Row #2), 12
55210-B	Cotter Pin, 7	55336	Washer, 10	55717	Selector Bar (R) (Continental - Row #2), 12
55212	Spring Post, 1,5,6	55337	Key Bar Comb - Front (43 Slots), 2,4	55718	Selector Bar (S) (Continental - Row #3), 12
55213	Lever Post, 1	55338	Key Bar Comb - Front (45 Slots), 2,4	55719	Selector Bar (T) (Continental - Row #2), 12
55215	Screw (8-32 x 11/16), 1	55340	Plate, 10	55720	Selector Bar (U) (Continental - Row #2), 12
55216	Nut (10-32 Hex.), 1,10	55342	Spacing Block - Right, 7	55721	Selector Bar (V) (Continental - Row #4), 12
55217	Backstop, 5,6	55343	Spacing Block - Left, 7	55722	Selector Bar (W) (Continental - Row #2), 12
55219	Screw (8-32 x 3/8), 5,6	55345	Paper Reel, 8,10	55723	Selector Bar (X) (Continental - Row #4), 12
55221	Washer, 5,6	55346	Terminal, 10	55724	Selector Bar (Y) (Continental - Row #2), 12
55222	Screw (3-48 x 1/4), 5,6	55347	Power Cord (Assem.), 7	55725	Selector Bar (Z) (Continental - Row #4), 12
55223	Screw (6-32 x 5/16), 5,6	55347-A	Cord, 7	55726	Selector Bar (Space) (Continental - Row #4), 13
55224	Liner, 5,6	55348	Silencing Case (Assem.), 8	55750	Selector Bar (1) (Continental - Row #1), 12
55225-A	Screw (2-56 x 21/64), 5,6	55348-A	Glass, 8	55751	Selector Bar (2) (Continental - Row #1), 12
55226	Dowel, 5,6	55348-B	Glass Spring, 8	55752	Selector Bar (3) (Continental - Row #1), 12
55227	Shaft, 5,6	55348-C	Front Glass, 8	55753	Selector Bar (4) (Continental - Row #1), 12
55228	Spring, 5,6	55348-D	Top Glass, 8	55754	Selector Bar (5) (Continental - Row #1), 12
55229	Screw (1-64 x 1/8), 5,6	55348-E	Main Hinge, 8	55755	Selector Bar (6) (Continental - Row #1), 12
55235	Screw (10-32 x 1/2), 5	55348-F	Stay Hinge, 8		
55237	Screw (6-32 x 21/32), 5,6	55348-G	Side Cover Hinge, 8		
55238	Pillar Block, 5,6	55348-H	Screw (#4 Wood), 8		
55240	Screw (8-32 x 17/32), 1	55348-I	Screw (#3 x 1/2), 8		
55241	Bearing, 1	55349	Message Holder Strip, 8		
55245	Nut (5/16-32 Hex.), 1	55350	Lock Key, 8		
55246	Nut (6-32 Hex.), 8,10	55351	Lock Key Plate, 8		
55248	Screw (10-32 Shoulder), 1	55352	Lock Key Nut, 8		
55249	Stud, 1	55353	Center Hub, 8		
55250	Bracket, 1	55355	Paper Roller, 8		
55251	Combination Key, 1	55357	Screw (#7 Wood), 8		
55252	Pin, 1	55358	Chad Box, 8		
55253	Spring, 1	55359-A	Shock Absorber, 8		
55255	Connecting Link - Upper, 2	55361	Rubber Roller, 8		
55256	Connecting Link - Lower, 2	55366	Block, 8		
55257	Nut (3-56 Hex.), 2	55367	Bearing Stud, 8		
55258	Extension Plate, 2	55369	Adjusting Clip, 8		
55258-B	Dowel, 2	55375	Spring - Right, 6		
55259	Screw (#3 Wood), 4	55375-A	Spring - Left, 6		
55260	Screw (#9 Wood), 3	55376	Shaft (With Pin), 6		
55261	Spring Holder, 11	55377	Bearing, 6		
55263	Lock Nut, 2	55379	Pressure Bar, 6		
55265	Brake, 10	55380	Bar Lever, 6		
55266	Post, 10	55381	Stop Shaft, 6		
55267	Spacer, 2	55382	Selector Guide Comb, 6		
55268	Spacer, 2	55383	Screw (6-32 x 5/16), 6		
55271	Bracket, 7	55384	Dowel, 6		
55272	Condenser Strap, 7,13	55385-A	Guide Plate, 6		
55273	Screw (14-24 Special), 7	55387	Guide Block - Lower, 6		
55274	Guide Plate, 7	55389	Stop Plate, 6		
55275	Insulator - Rubber, 7,13	55390	Screw (2-56 x 1/2), 6		
55276	Insulator, 7	55392	Supporting Comb, 6		
		55394	Stop Block, 6		
		55396	Punch Head Casting, 6		
		55397	Screw (14-24 x 3/4), 2,3		

55756	Selector Bar (7) (Continental - Row #1), 12	57274	Screw (6-32 x 1/2), 10	92017	Selector Bar (BT) (Continental - Row #2), 12
55757	Selector Bar (8) (Continental - Row #1), 12	60091	Screw (8-32 x 3/8), 2, 7, 10, 13	92018	Selector Bar (BT) (Continental - Row #3), 12
55758	Selector Bar (9) (Continental - Row #1), 12	70059	Spring Post, 1	92019	Selector Bar (BRK.S1.) (Continental - Row #3), 12
55759	Selector Bar (10) (Continental - Row #1), 12	70711	Lock Nut, 2	92020	Selector Bar (DN) (Continental - Row #1), 12
55770	Selector Bar (A) (Cable - Row #3), 12	70712	Contact Screw, 2	92021	Selector Bar (DN) (Continental - Row #4), 12
55771	Selector Bar (B) (Cable - Row #4), 12	70727	Contact Spring, 11	92022	Selector Bar (-) (Continental - Row #1), 13
55772	Selector Bar (C) (Cable - Row #4), 12	71155	Screw (6-32 x 1-1/4), 9	92023	Selector Bar (-) (Continental - Row #3), 13
55773	Selector Bar (D) (Cable - Row #3), 12	71647	Shim, 3, 4	92024	Selector Bar (-) (Continental - Row #4), 13
55774	Selector Bar (E) (Cable - Row #2), 12	71651	Screw (#4 Wood), 8	92025	Selector Bar (/) (Continental - Row #2), 13
55775	Selector Bar (F) (Cable - Row #3), 12	71652	Screw (#3 Wood), 8	92026	Selector Bar (/) (Continental - Row #4), 13
55776	Selector Bar (G) (Cable - Row #3), 12	71838	Washer, 2	92027	Selector Bar (*) (Continental - Row #3), 13
55777	Selector Bar (H) (Cable - Row #3), 12	72956	Backstop - 11 Hole, 5	92028	Selector Bar (*) (Continental - Row #4), 13
55778	Selector Bar (I) (Cable - Row #2), 12	72980	Backstop - 9 Hole, 6	92029	Selector Bar (KA) (Continental - Row #1), 12
55779	Selector Bar (J) (Cable - Row #3), 12	72982	Backstop - 7 Hole, 6	92030	Selector Bar (KA) (Continental - Row #4), 12
55780	Selector Bar (K) (Cable - Row #3), 12	73008	Washer, 1	92031	Selector Bar (=) (Continental - Row #3), 13
55781	Selector Bar (L) (Cable - Row #3), 12	73009	Washer, 1	92032	Selector Bar (=) (Continental - Row #4), 13
55782	Selector Bar (M) (Cable - Row #4), 12	73235	Screw (6-40 x 7/8), 3	92033	Selector Bar (REPEAT) (Continental - Row #2), 13
55783	Selector Bar (N) (Cable - Row #4), 12	73641	Line Guide, 9	92034	Selector Bar (REPEAT) (Continental - Row #3), 13
55784	Selector Bar (O) (Cable - Row #2), 12	73745	Combination Key Lever, 11	92035	Selector Bar (REPEAT) (Continental - Row #4), 13
55785	Selector Bar (P) (Cable - Row #2), 12	76099	Washer, 9	92036	Selector Bar (x) (Continental - Row #4), 13
55786	Selector Bar (Q) (Cable - Row #2), 12	77774	Copyholder (Mahogany), 9	92037	Selector Bar (DQ) (Continental - Row #4), 12
55787	Selector Bar (R) (Cable - Row #2), 12	77777	Wood Filler (Mahogany), 9	92038	Selector Bar (UD) (Continental - Row #2), 12
55788	Selector Bar (S) (Cable - Row #3), 12	78020	Nut (3-56 Hex.), 11	92039	Selector Bar (UD) (Continental - Row #4), 12
55789	Selector Bar (T) (Cable - Row #2), 12	78222	Spacer, 10	92040	Selector Bar (?) (Continental - Row #3), 13
55790	Selector Bar (U) (Cable - Row #2), 12	78566	Set Pin, 1	92041	Selector Bar (?) (Continental - Row #4), 13
55800	Selector Bar (V) (Cable - Row #4), 12	78701	Roller, 1	92042	Selector Bar (MB) (Continental - Row #3), 12
55801	Selector Bar (W) (Cable - Row #2), 12	82392	Shim, 1	92043	Selector Bar (BLANK) (Continental - Row #3), 13
55802	Selector Bar (X) (Cable - Row #4), 12	84398	Pad - Bottom, 8	92044	Selector Bar (BLANK) (Continental - Row #4), 13
55803	Selector Bar (Y) (Cable - Row #2), 12	84399	Pad - Rear, 8	92045	Selector Bar (RUB OUT) (Continental - Row #2), 13
55804	Selector Bar (Z) (Cable - Row #4), 12	84400	Pad - Left, 8	92046	Selector Bar (CH) (Continental - Row #2), 12
55823	Selector Bar (SPACE) (Cable - Row #4), 13	84401	Pad - Right, 8	92047	Selector Bar (MIM) (Continental - Row #2), 12
55824	Selector Bar (1) (Cable - Row #2), 12	84402	Pad - Top, 8	92048	Selector Bar (), (Continental - Row #4), 13
55825	Selector Bar (2) (Cable - Row #2), 12	84592	Shim, 1	92049	Selector Bar (ø) (Continental - Row #4), 13
55826	Selector Bar (3) (Cable - Row #2), 12	84922	Copyholder (Assem.), 8, 9	92050	Selector Bar (E') (Continental - Row #4), 12
55827	Selector Bar (4) (Cable - Row #2), 12	86727	Floating Lever, 1, 14	92051	Selector Bar (v) (Cable - Row #3), 13
55828	Selector Bar (5) (Cable - Row #2), 12	86728	Floating Lever Lock, 5, 6, 14	92052	Selector Bar (x) (Cable - Row #4), 13
55829	Selector Bar (6) (Cable - Row #2), 12	86866	Key Lever Stop, 11	92053	Selector Bar (=) (Cable - Row #3), 13
55830	Selector Bar (7) (Cable - Row #2), 12	87012	Rubber Foot, 3	92054	Selector Bar (/) (Cable - Row #1), 13
55831	Selector Bar (8) (Cable - Row #2), 12	87013	Rubber Foot Cup, 3	92055	Selector Bar (/) (Cable - Row #4), 13
55832	Selector Bar (9) (Cable - Row #2), 12	87040	Rubber Roller (with Flange), 8, 14	92056	Selector Bar (\) (Cable - Row #3), 13
55833	Selector Bar (10) (Cable - Row #2), 12	87041	Shock Absorber (Assem.), 8, 14		
55949	Selector Bar (A) (Continental - Row #2), 12	87936	Bracket, 9		
55951	Selector Bar (Q) (Continental - Row #3), 12	87937	Bracket (with Rod), 9		
55953	Selector Bar (Z) (Continental - Row #2), 12	89081	Selector Bar (MU) (Cable - Row #4), 12		
		89082	Selector Bar (NO) (Cable - Row #1), 12		
		89094	Stud, 7		
		89216	Solenoid Plunger, 7		
		89246	Selector Bar (NG) (Cable - Row #1), 12		
		89392	Selector Bar (MU) (Cable - Row #3), 12		
		89393	Selector Bar (NO) (Cable - Row #4), 12		
		89516	Main Lever, 1, 14		
		89517	Stud, 1, 14		
		89926	Selector Bar (?) (Cable - Row #4), 13		
		90264	Shim, 7		
		91150	Screw (10-32 x 1-9/16), 7, 8		
		92006	Selector Bar (COME) (Continental - Row #3), 13		
		92007	Selector Bar (COME) (Continental - Row #4), 13		
		92008	Selector Bar () (Continental - Row #4), 13		
		92009	Selector Bar (.) (Continental - Row #4), 13		
		92010	Selector Bar (SN) (Continental - Row #3), 12		
		92011	Selector Bar (SN) (Continental - Row #4), 12		
		92012	Selector Bar (AE) (Continental - Row #4), 12		
		92013	Selector Bar (AR) (Continental - Row #2), 12		
		92014	Selector Bar (AR) (Continental - Row #3), 12		
		92015	Selector Bar (AR) (Continental - Row #4), 12		
		92016	Selector Bar (BT) (Continental - Row #1), 12		

92057	Selector Bar (\) (Cable - Row #4), 13	92101	Selector Bar (RUB) (Continental - Row #4), 13
92058	Selector Bar (SN) (Cable - Row #3), 12	92102	Selector Bar (X) (Continental - Row #4), 13
92059	Selector Bar (SN) (Cable - Row #4), 12	92103	Selector Bar (-) (Continental - Row #1), 13
92060	Selector Bar (-) (Cable - Row #1), 13	92104	Selector Bar (RUB OUT) (Continental - Row #4), 13
92061	Selector Bar (-) (Cable - Row #4), 13	92106	Selector Bar (.) (Continental - Row #4), 13
92062	Selector Bar (RUB OUT) (Cable - Row #3), 13	92107	Selector Bar (KK) (Continental - Row #1), 12
92063	Selector Bar (RUB OUT) (Cable - Row #4), 13	92161	Selector Bar (\) (Continental - Row #3), 13
92064	Selector Bar (BLANK) (Cable - Row #3), 13	92162	Selector Bar (RUB) (Cable - Row #4), 13
92065	Selector Bar (BLANK) (Cable - Row #4), 13	92173	Selector Bar (BLANK) (Cable - Row #2), 13
92066	Selector Bar (COMB) (Cable - Row #3), 13	92174	Contact Bar, 11
92067	Selector Bar (COMB) (Cable - Row #4), 13	92175	"S" Pin, 1
92068	Selector Bar (BT) (Cable - Row #1), 12	92239	Selector Bar (DQ) (Cable - Row #4), 12
92069	Selector Bar (BT) (Cable - Row #2), 12	92296	Contact Screw, 2
92070	Selector Bar (BT) (Cable - Row #3), 12	92902	Silencing Case (Assem.), 8
92071	Selector Bar (DQ) (Cable - Row #4), 12	92935	Cable (with Battery Clip), 7
92072	Selector Bar (MIN) (Cable - Row #2), 12	92952	Contact Bar (Assem.), 11
92073	Selector Bar (RA) (Cable - Row #4), 12	92955	Upper Front Link #1, 11
92074	Selector Bar (REPEAT) (Cable - Row #2), 13	92956	" " " #2, 11
92075	Selector Bar (REPEAT) (Cable - Row #3), 13	92957	" " " #3, 11
92076	Selector Bar (REPEAT) (Cable - Row #4), 13	92958	" " " #4, 11
92077	Selector Bar (DN) (Cable - Row #1), 12	92959	" " " #5, 11
92078	Selector Bar (DN) (Cable - Row #4), 12	92960	" " " #6, 11
92079	Selector Bar (UD) (Cable - Row #2), 12	92961	" " " #7, 11
92080	Selector Bar (UD) (Cable - Row #4), 12	92962	" " " #8, 11
92081	Selector Bar (AR) (Cable - Row #2), 12	92963	" " " #9, 11
92082	Selector Bar (AR) (Cable - Row #4), 12	92964	" " " #10, 11
92083	Selector Bar () (Cable - Row #4), 13	92965	Upper Rear Link #1, 11
92084	Selector Bar (e') (Continental - Row #2), 12	92966	" " " #2, 11
92085	Selector Bar (AE) (Continental - Row #3), 12	92967	" " " #3, 11
92086	Selector Bar (U) (Continental - Row #4), 12	92968	" " " #4, 11
92087	Selector Bar (N) (Continental - Row #4), 12	92969	" " " #5, 11
92088	Selector Bar (N) (Continental - Row #1), 13	92970	" " " #6, 11
92089	Selector Bar (+) (Continental - Row #3), 13	92971	" " " #7, 11
92090	Selector Bar (+) (Continental - Row #4), 13	92972	" " " #8, 11
92091	Selector Bar (RR) (Continental - Row #4), 12	92973	" " " #9, 11
92092	Selector Bar (KR) (Continental - Row #2), 12	92974	Lower Front Link #1, 11
92093	Selector Bar (RI) (Continental - Row #4), 12	92975	" " " #2, 11
92094	Selector Bar (RA) (Continental - Row #4), 12	92976	" " " #3, 11
92095	Selector Bar (RUB OUT) (Continental - Row #4), 13	92977	" " " #4, 11
92096	Selector Bar (,) (Continental - Row #3), 13	92978	" " " #5, 11
92097	Selector Bar (N) (Continental - Row #4), 12	92979	" " " #6, 11
92098	Selector Bar (X) (Cable - Row #4), 13	92980	" " " #7, 11
92099	Selector Bar (/) (Continental - Row #4), 13	92981	" " " #8, 11
92100	Selector Bar (RUB) (Continental - Row #3), 13	92982	" " " #9, 11
		92983	" " " #10, 11
		92984	Lower Rear Link #1, 11
		92985	" " " #2, 11
		92986	" " " #3, 11
		92987	" " " #4, 11
		92988	" " " #5, 11
		92989	" " " #6, 11
		92990	" " " #7, 11
		92991	" " " #8, 11
		92992	" " " #9, 11