

CSP 6620A

REGISTER NO.

SECRET-CRYPTO

CRYPTOGRAPHIC EQUIPMENT  
PLANNING AND REFERENCE  
GUIDE (U)

CSP 6620A

DEPARTMENT OF THE NAVY  
OFFICE OF THE CHIEF OF NAVAL OPERATIONS  
SEPTEMBER 1962

EXCLUDED FROM AUTOMATIC  
DECLASSIFICATION FOR DIR 5200.10  
PPLY

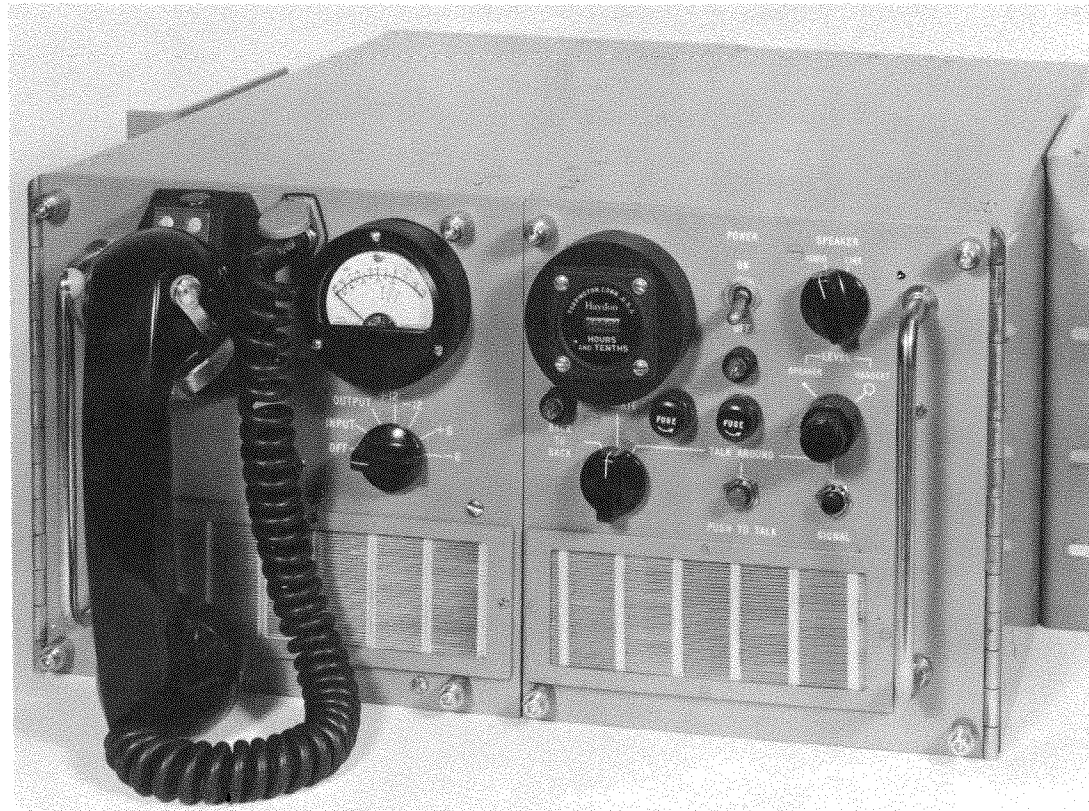
DO NOT REMOVE FROM BINDER

DECLASSIFIED per SEC 3.4 E.O. 12958  
by Director, NSA/Chief, CSS  
*[Signature]* date 27 Oct 98

IT

ORIGINAL  
(Reverse Blank)

**TSEC/HY-2**



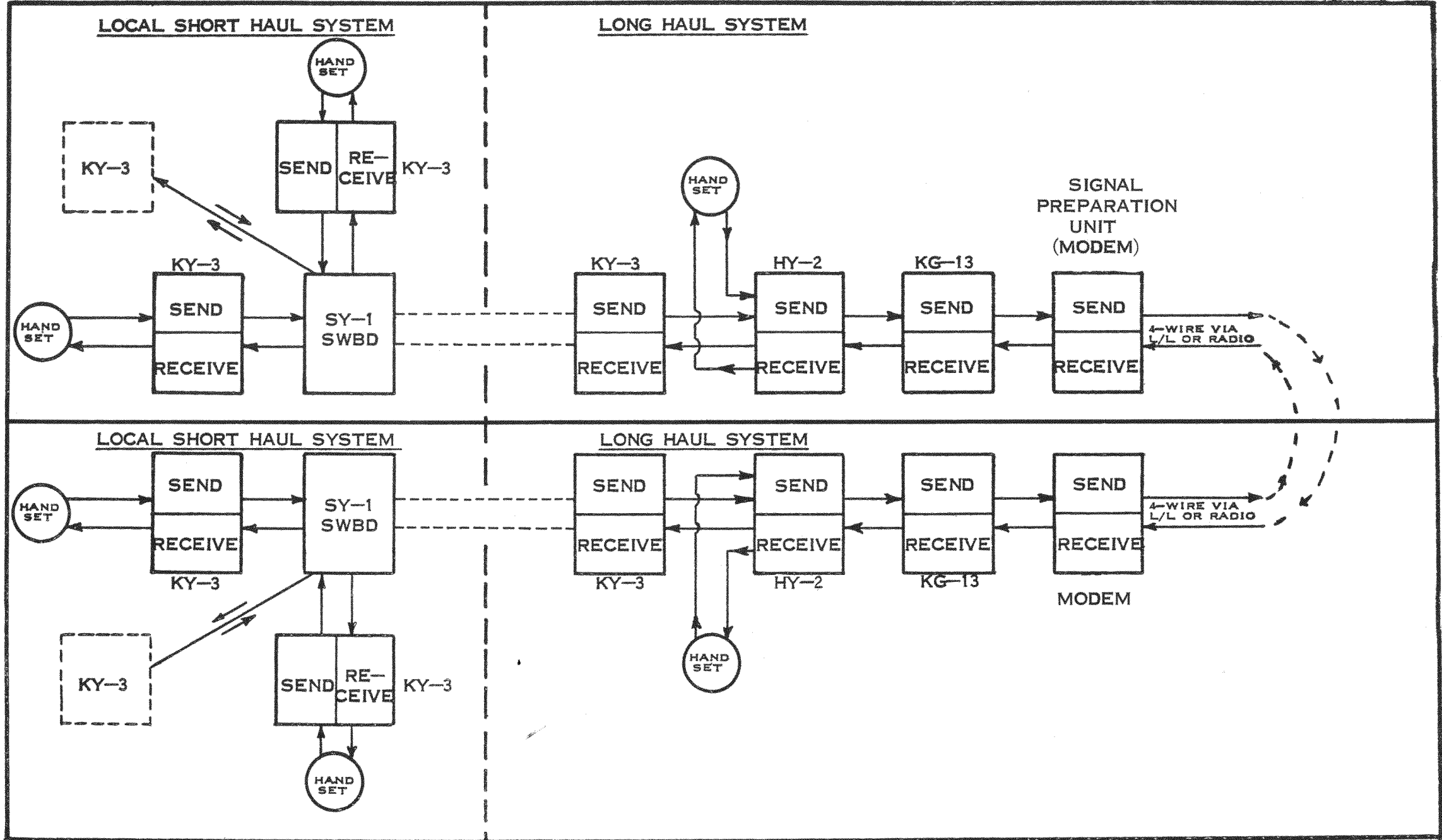
DEVELOPMENTAL MODEL

DESCRIPTION	A COMPLEX ELECTRONIC FULL-DUPLEX TRANSISTORIZED VOCODER USED IN CONJUNCTION WITH THE KG-13 TO PROVIDE A HIGH QUALITY CIPHER SYSTEM. TO PROVIDE A COMPLETE VOICE SECURITY TRANSMISSION SYSTEM, AN ANCILLARY DEVICE (MODEM) IS REQUIRED TO CONVERT THE 2400 BAUD OUTPUT OF THE HY-2 TO A FORM SUITABLE FOR TRANSMISSION OVER A HIGH FREQUENCY LONG HAUL RADIO CHANNEL (OR WIRELINE) OF 3KC MAXIMUM BANDWIDTH. DEVELOPMENT OF A MODEM FOR HF IS BEING PURSUED ON A HIGH PRIORITY BASIS; HOWEVER, ITS DATE OF AVAILABILITY IS UNDETERMINED AT PRESENT.														
STATUS	UNDER DEVELOPMENT														
TRAINING	REQUIREMENTS NOT YET ESTABLISHED														
CRYPTOSYSTEM	NOT APPLICABLE														
CLASSIFICATION	UNCLASSIFIED														
PUBLICATIONS	MAINTENANCE: KAM-153, KAM-154, KAM-155 (CLASSIFICATIONS UNDETERMINED) (NOT YET IN PRINT) OPERATING: NONE														
PROCUREMENT (COST IN THOUSANDS)	UNIT COST	PAST		FY 1963		FY 1964		FY 1965		FY 1966		FUTURE		TOTAL	
	\$22,100	QTY	AMOUNT	QTY	AMOUNT	QTY	AMOUNT	QTY	AMOUNT	QTY	AMOUNT	QTY	AMOUNT	QTY	AMOUNT
PHYSICAL CHARACTERISTICS	HEIGHT	WIDTH		DEPTH		WEIGHT		VOLTAGE		POWER		REMARKS			
	8 3/4 IN.	19 IN.	21 IN.	90 LBS.	115 (60 CPS)	60 WATTS									
REQUIREMENTS	SEE VOICE PROGRAM, PAGE														

COMBINED SHORT AND LONG HAUL VOICE SYSTEMS

CONFIDENTIAL

CSP 6620A



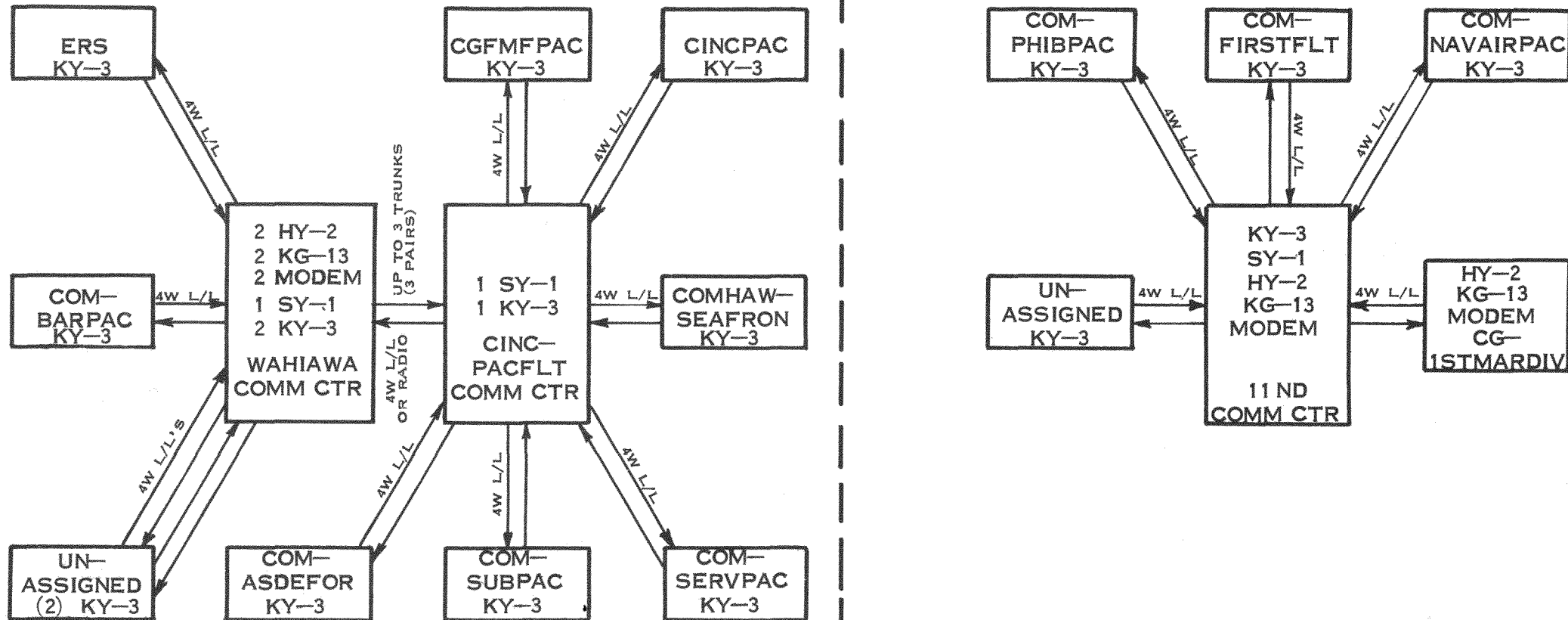
CONFIDENTIAL

ORIGINAL

EXAMPLE OF TELEPHONE SWITCHING COMPLEX

CONFIDENTIAL

CSP 6620A



CONFIDENTIAL

ORIGINAL  
(REVERSE BLANK)