

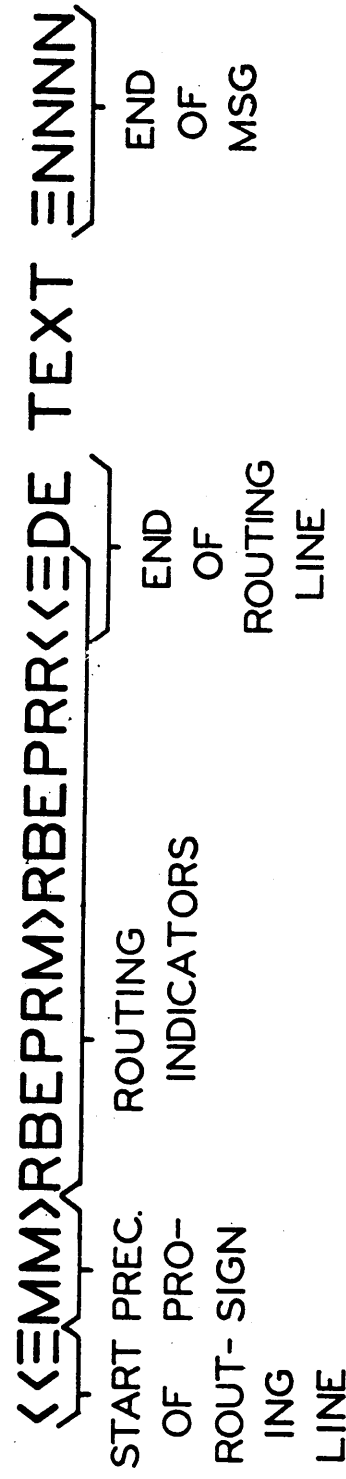
82BI TTY SWITCHING SYSTEM

MESSAGE FORMAT

(PRECEDENCE: DEFERRED)

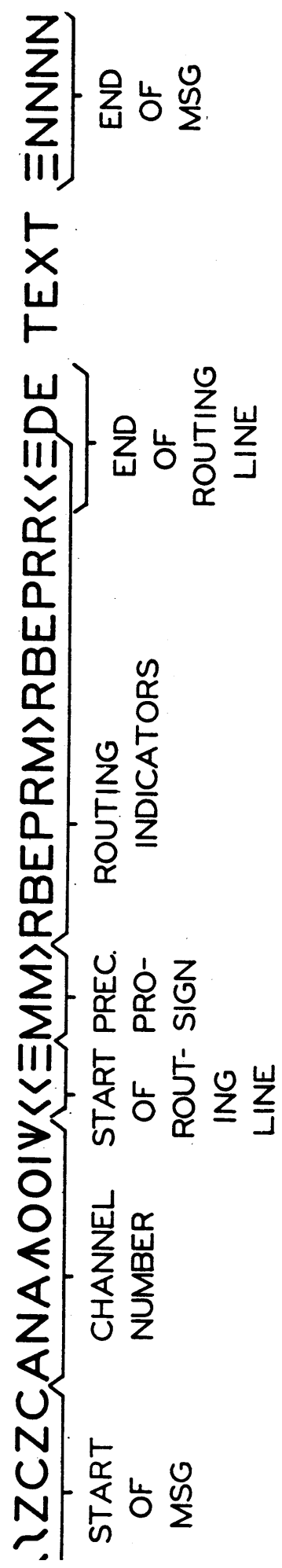
MESSAGE AS PREPARED BY OPERATOR

(CAT STATION ON MULTISTATION LINE)



MESSAGE AS RECEIVED AT SWITCHING CENTER

(FROM STATION ON MULTISTATION LINE)



AUTOMATICALLY
GENERATED BY STATION
CONTROL UNIT

OPERATOR PREPARED

LEGEND

- | | | | |
|----|---------|---|---------------------|
| \\ | BLANK | < | CAR. RET. |
| A | FIGURES | = | LINE FEED |
| v | LETTERS | > | SPACE (NOT PRINTED) |

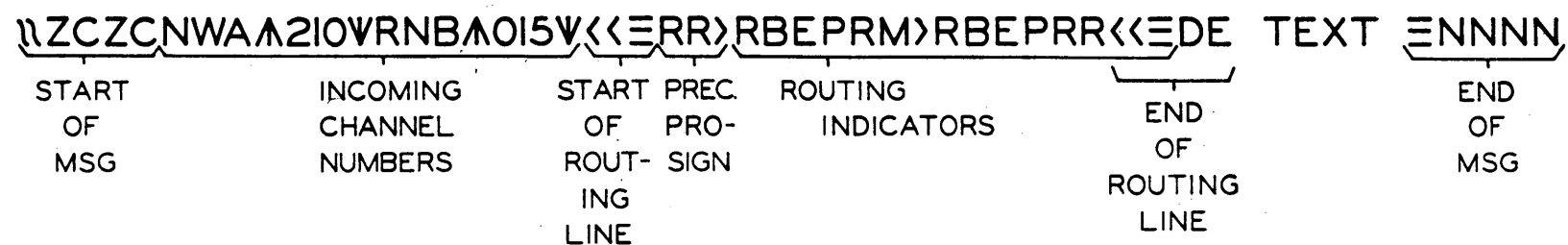
82BI TTY SWITCHING SYSTEM

MESSAGE FORMAT

(PRECEDENCE: ROUTINE)

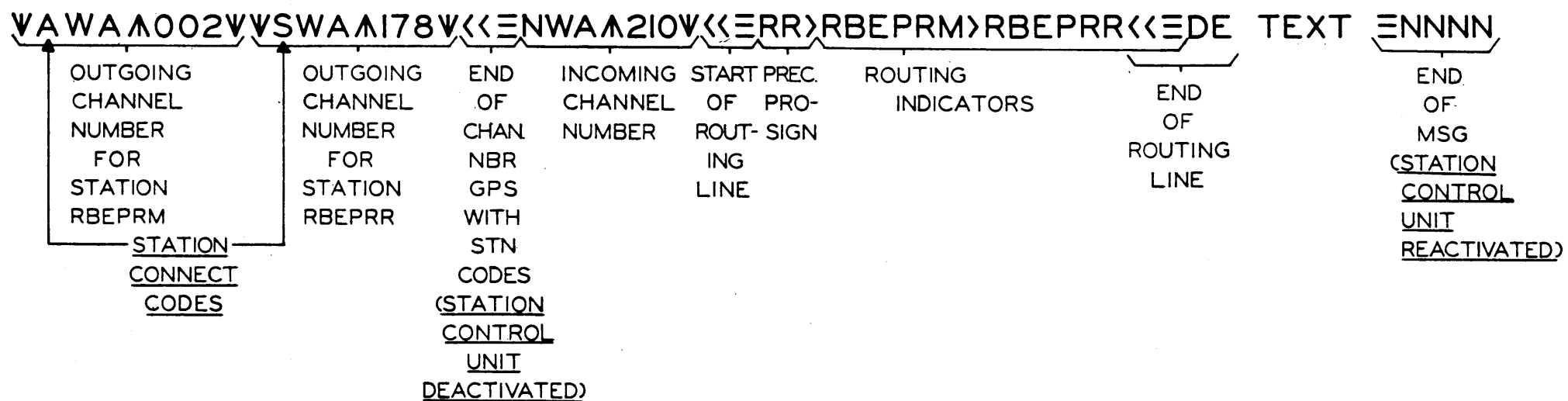
INCOMING MESSAGE

(VIA ANOTHER SWITCHING CENTER, TO STATION ON MULTISTATION LINE)



OUTGOING MESSAGE

(AS DELIVERED TO STATION ON MULTISTATION LINE)



LEGEND

- | | |
|-----------|-----------------------|
| \ BLANK | < CAR. RET. |
| ^ FIGURES | = LINE FEED |
| v LETTERS | > SPACE (NOT PRINTED) |

82BI TTY SWITCHING SYSTEM

MESSAGE FORMAT

(PRECEDENCE: FLASH)

INCOMING MESSAGE

(FROM TRUNK TO STATION ON MULTISTATION LINE)

UZCNWA209V<<EAJJJSSSSVZZ>RBEPRM<EDETEXT>ENNNN

START OF MSG	INCOMING CHANNEL NUMBER	START OF ROUT- ING LINE	BELL SIGNALS	PREC. PRO- SIGN	ROUTING INDICATOR OF ROUTING LINE	END OF MSG
--------------------	-------------------------------	-------------------------------------	-----------------	-----------------------	---	------------------

OUTGOING MESSAGE

(AS DELIVERED TO STATION ON MULTISTATION LINE)

VAWA00IV<ENWA209V<EAJJJSSSSVZZ>RBEPRM<EDETEXT>ENNNN

OUTGOING CHANNEL NUMBER	END OF CHAN. NBR	INCOMING CHANNEL NUMBER	START OF ROUT- ING LINE	BELL SIGNALS	PREC. PRO- SIGN	ROUTING INDICATOR OF ROUTING LINE	END OF MSG
-------------------------------	---------------------------	-------------------------------	-------------------------------------	-----------------	-----------------------	---	------------------

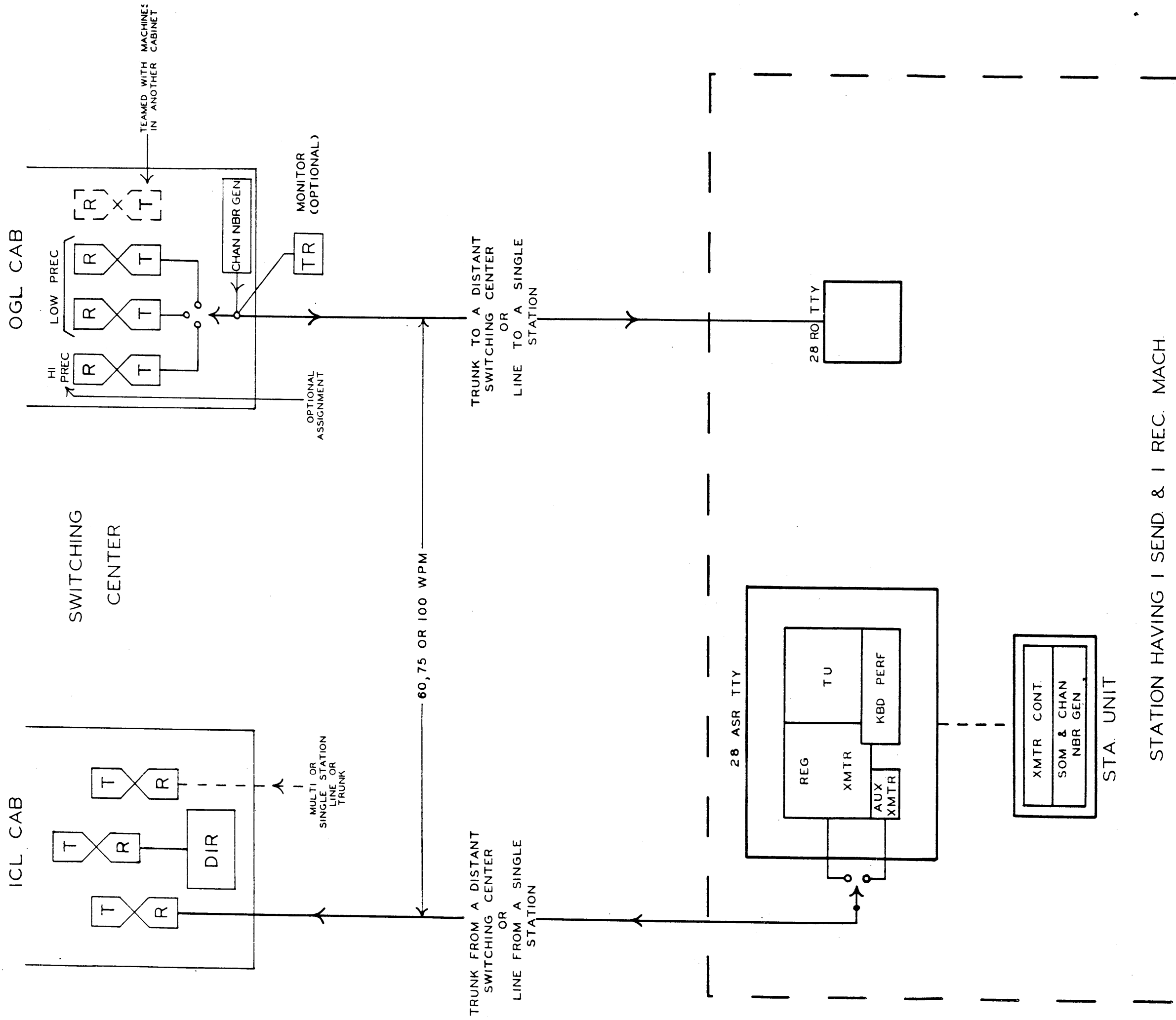
(STATION
CONNECT
CODE
WITH
STN
CODES
(STATION
CONTROL
UNIT
DEACTIVATED)
 (STATION
CONTROL
UNIT
REACTIVATE)

LEGEND

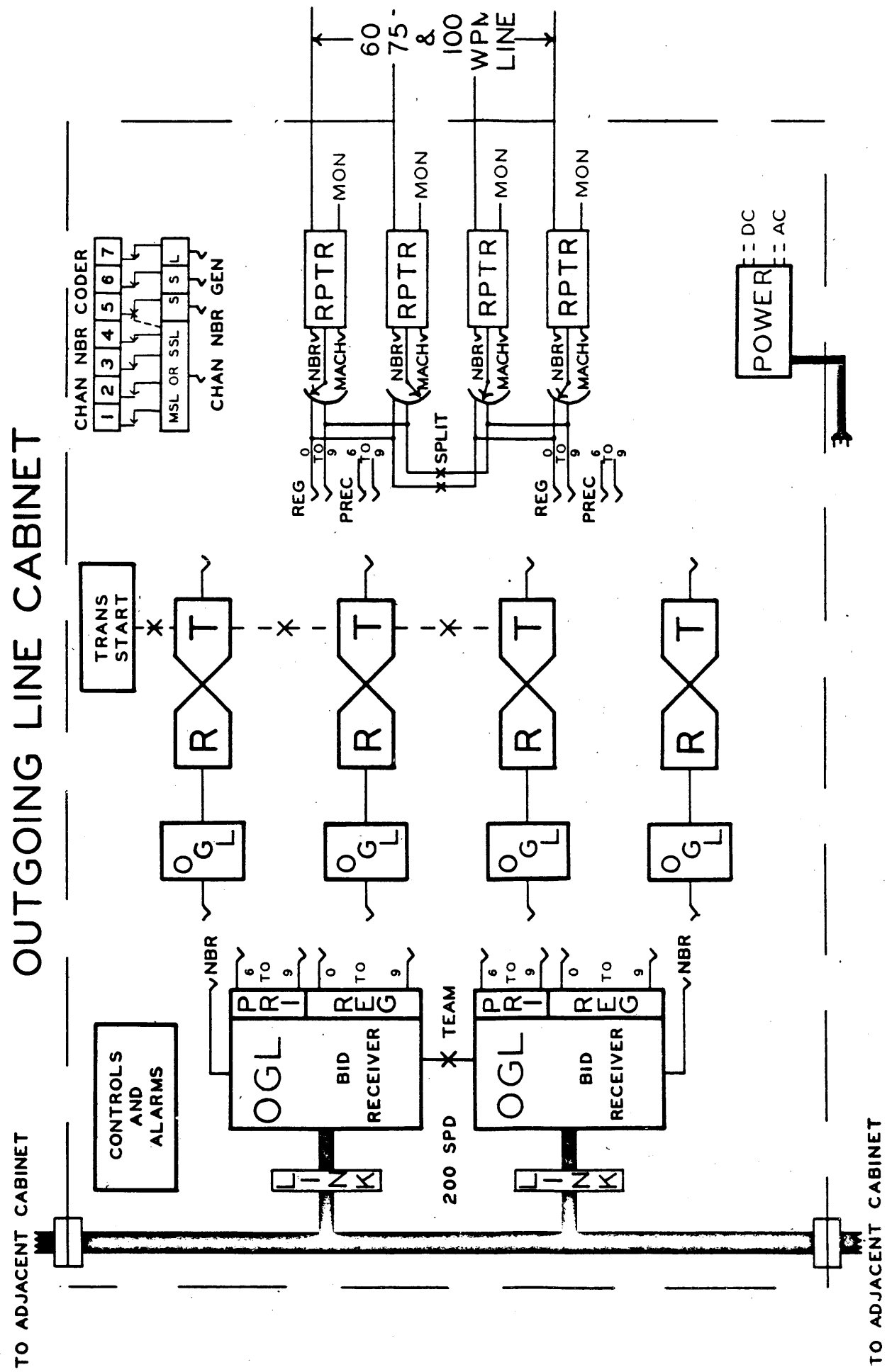
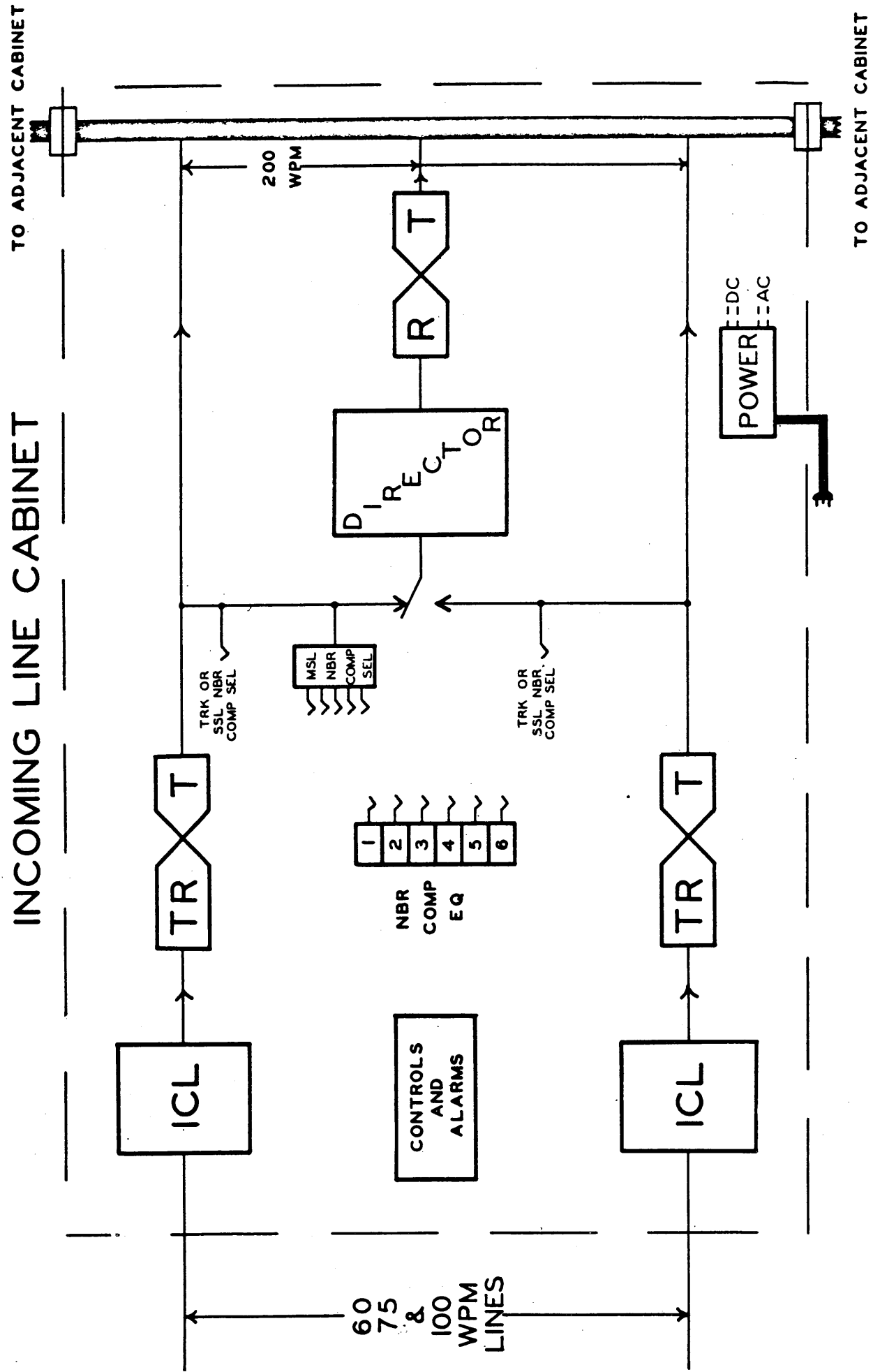
\	BLANK	<	CAR. RET.
^	FIGURES	=	LINE FEED
v	LETTERS	>	SPACE (NOT PRINTED)

82BI TTY SWITCHING SYSTEM

TYPICAL SINGLE STATION LINE AND TRUNK ARRANGEMENT

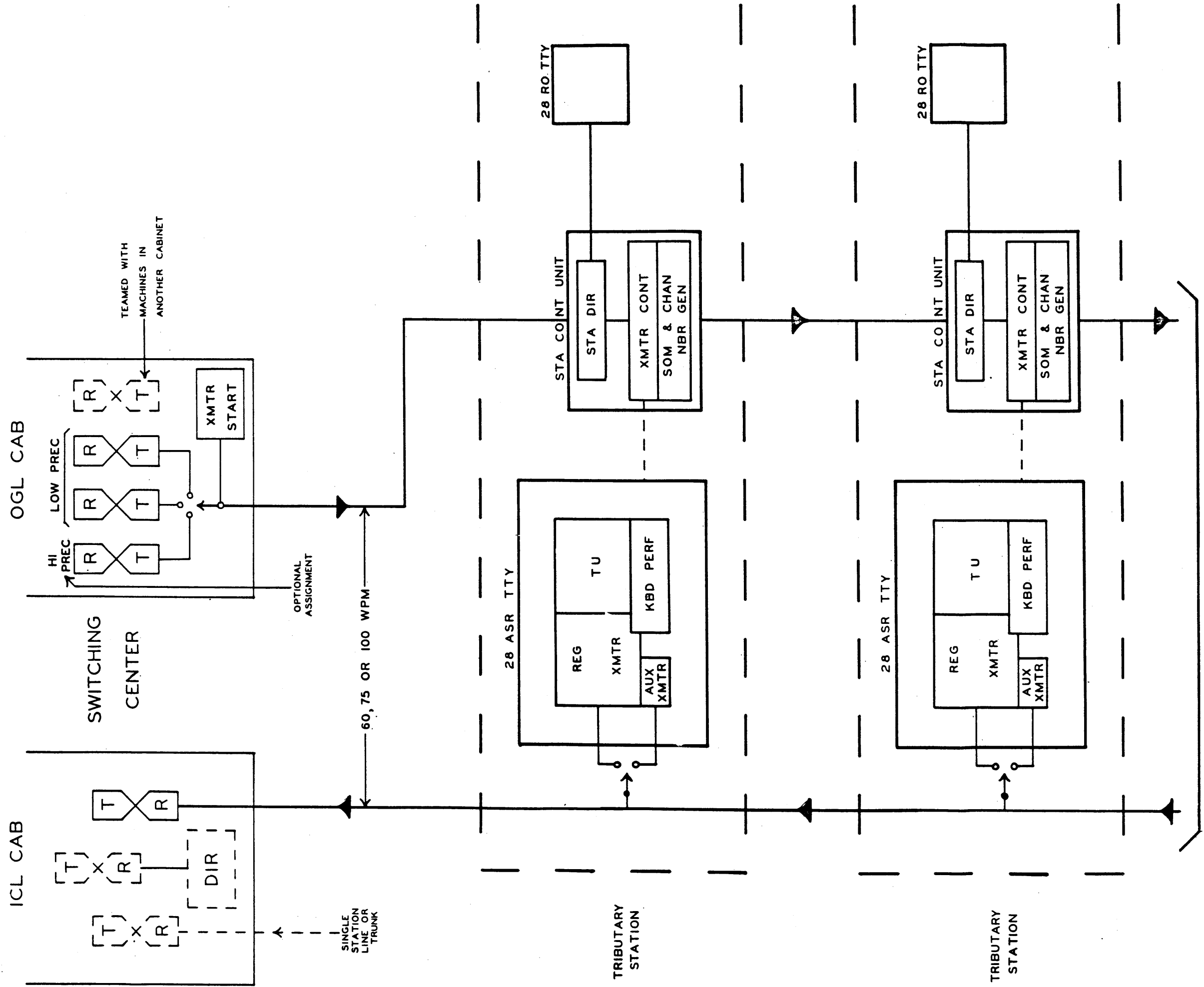


82BI TTY SWITCHING SYSTEM



82BI TTY SWITCHING SYSTEM

MULTISTATION LINE ARRANGEMENT



82BI TTY SWITCHING SYSTEM

TYPICAL APPLICATIONS OF OUTGOING CABINETS TO MULTICHANNEL LINES OR TRUNKS

